



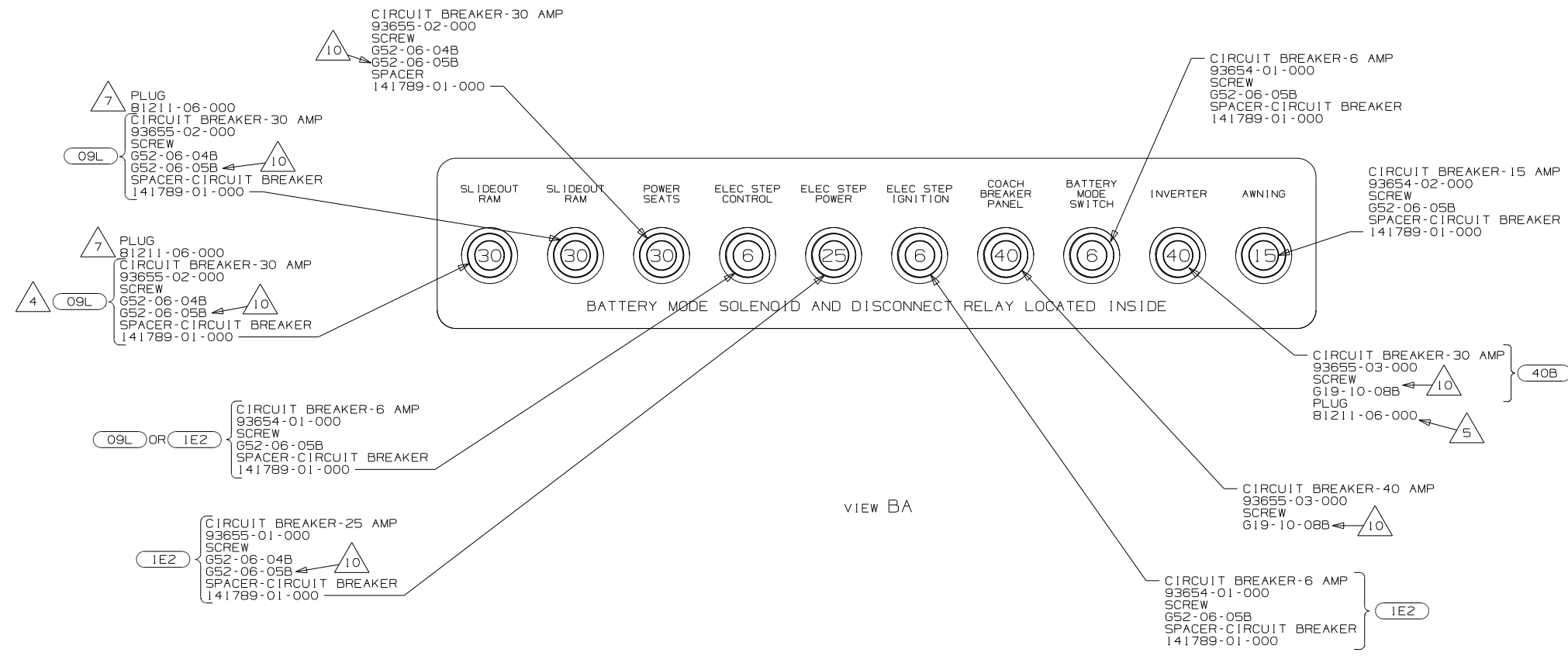
DANGER

Danger of electrical shock, burns or death. Always remove all power sources before attempting any repair, service or diagnostic work. Power can be present from shore power, generator, inverter or battery. All power sources must be disabled and secured before performing any service.

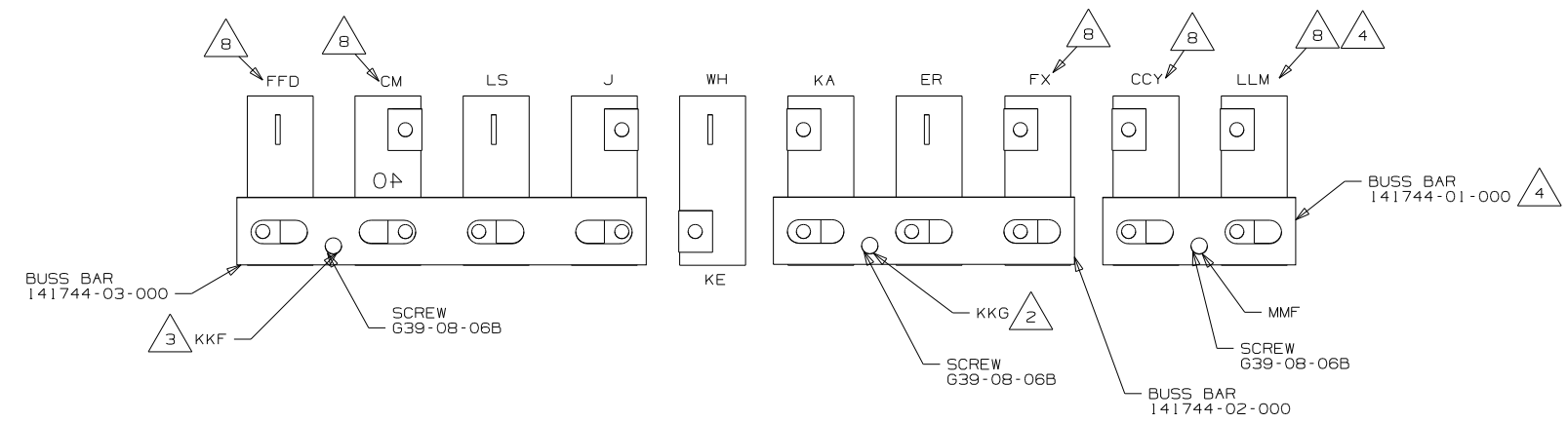


CAUTION

If you lack the skills, tools or equipment to perform diagnostic or repair work leave such work to an authorized Winnebago Industries dealer or other qualified shop.



VIEW BA



VIEW BB

- 10 REPLACE EXISTING SCREW TO PROPERLY ATTACH BREAKER TO BUSS BAR.
- 9 NOT USED ON H25R.
- 8 CIRCUIT IS FROM WIRE ASM-CHASSIS.
- 7 WITHOUT 09L OR 09P
- 6 WIRE IS MARKED WITH RED TAPE.
- 5 WITHOUT 40B
- 4 USED ON H25R ONLY.
- 3 WIRE IS MARKED WITH YELLOW TAPE.
- 2 WIRE IS MARKED WITH PURPLE TAPE.

1. LEGEND: _____ WINNEBAGO: - - - - - CABLE: - - - - - CHASSIS SUPPLIED WIRING.

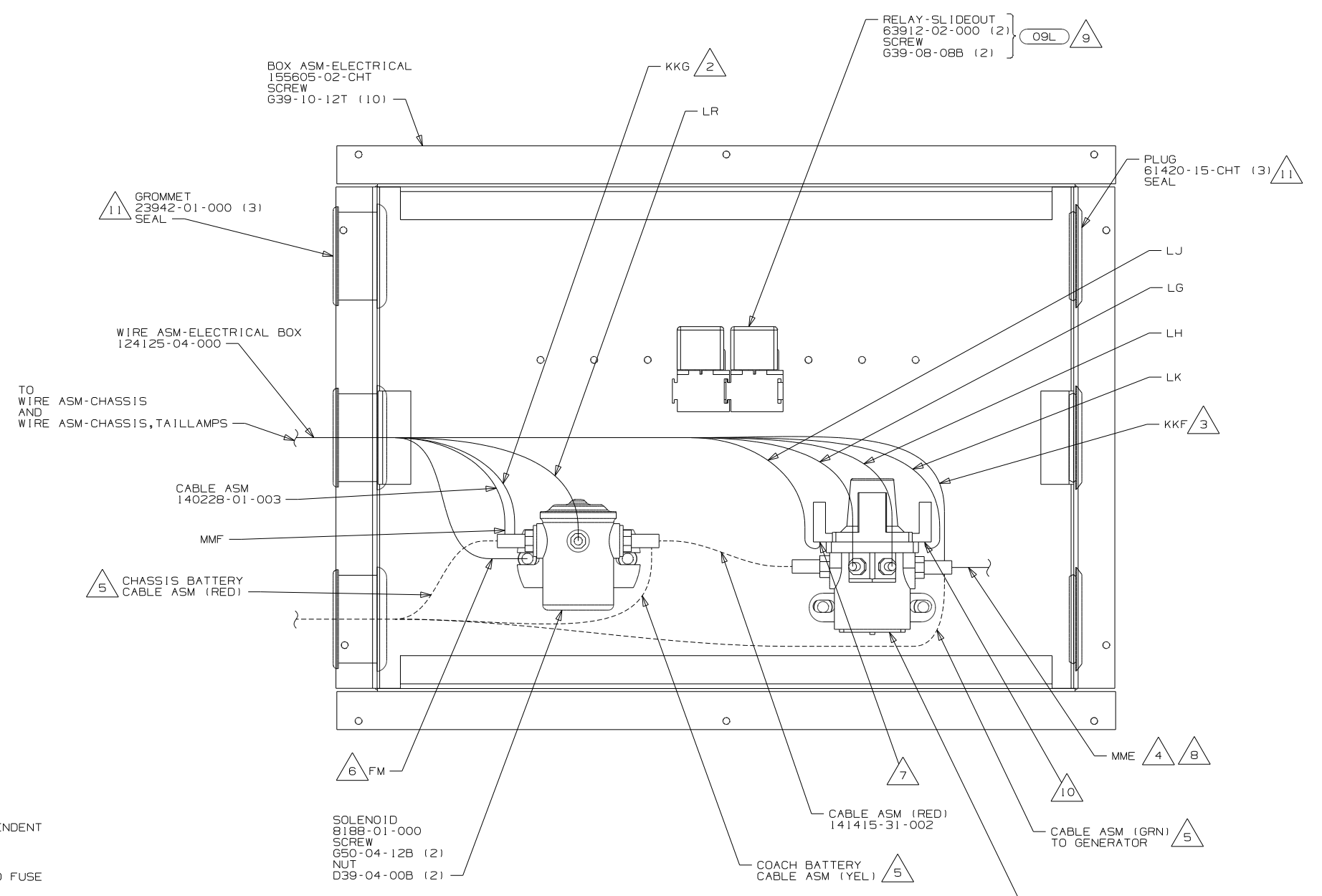
NOTES:

- 40B INVERTER-DC/AC, 300 WATT
- 1E2 ENTRANCE STEP-ELEC.
- 09L SLIDEOUT ROOM FRONT LEFT
- 265 CODES/STANDARDS-CSA/CMVSS
- 1B1 CODES/STANDARDS USA

FIRST USED	
10 H-SERIES	
DO NOT SCALE DRAWING	
TITLE:	
CHASSIS ELECTRICAL BOX ASM	
SHEET 2	PART NO 173527 REV

FOR ELECTRICAL TORQUE SPECIFICATIONS SEE DWG NO. 128783-01-000

FOR ELECTRICAL CALLOUTS SEE DWG NO. 121339-01-000



- (11) LOCATION OF GROMMET AND PLUG IS DEPENDENT ON LOCATION OF BOX ON CHASSIS.
- (10) INSERT TERMINAL FROM CIRCUIT LK INTO FUSE HOLDER SOCKET ON RELAY.
- (9) NOT USED ON H25C.
- (8) CIRCUIT IS FROM WIRE ASM-CHASSIS.
- (7) INSERT TERMINAL FROM CIRCUIT LJ INTO FUSE HOLDER SOCKET ON RELAY.
- (6) SECURE WITH SOLENOID MOUNTING SCREW.
- (5) WIRING INSTL-CHASSIS FOR ADDITIONAL INFORMATION.
- (4) WIRE IS MARKED WITH RED TAPE.
- (3) WIRE IS MARKED WITH YELLOW TAPE.
- (2) WIRE IS MARKED WITH PURPLE TAPE.

1. LEGEND: — WINNEBAGO: - - - - - CABLE: - - - - - CHASSIS SUPPLIED WIRING.

- SOLENOID 8188-01-000 SCREW G50-04-12B (2) NUT D39-04-00B (2)
- COACH BATTERY CABLE ASM (YEL) (5)
- RELAY-BATTERY DISCONNECT 86273-01-000 SCREW G50-04-12B (2) NUT D39-04-00B (2) FUSE-5 AMP 62901-02-000
- CABLE ASM (GRN) TO GENERATOR (5)
- CABLE ASM (RED) 141415-31-002 (7)
- FM (6)
- MME (4) (8)
- 10

VIEW CA
(BREAKER PANEL REMOVED)

FOR ELECTRICAL TORQUE SPECIFICATIONS SEE DWG NO. 128783-01-000

FOR ELECTRICAL CALLOUTS SEE DWG NO. 121339-01-000

- (09L) SLIDEOUT ROOM FRONT LEFT
- (265) CODES/STANDARDS-CSA/CMVSS
- (1B1) CODES/STANDARDS USA

FIRST USED	
10 H-SERIES	
DO NOT SCALE DRAWING	
TITLE:	
CHASSIS ELECTRICAL BOX ASM	
SHEET 3	PART NO 173527 REV