



DANGER

Danger of electrical shock, burns or death. Always remove all power sources before attempting any repair, service or diagnostic work. Power can be present from shore power, generator, inverter or battery. All power sources must be disabled and secured before performing any service.



CAUTION

If you lack the skills, tools or equipment to perform diagnostic or repair work leave such work to an authorized Winnebago Industries dealer or other qualified shop.

	8	7	6	5	4	3	2	1
		J32H	J37F	J35Z	J38N	J35P		
BLK	14-UL	136131-06-040	136131-06-085	136131-06-030	136131-06-075	136131-06-040		
	14-CA	136134-06-040	136134-06-085	136134-06-030	136134-06-075	136134-06-040		
BLU	14-UL	136131-02-105	136131-02-270	136131-02-075	136131-02-165	136131-02-135		
	14-CA	136134-02-105	136134-02-270	136134-02-075	136134-02-165	136134-02-135		
BRN	14-UL	136131-03-040	136131-03-085	136131-03-120	136131-03-015	136131-03-040		
	14-CA	136134-03-040	136134-03-085	136134-03-120	136134-03-015	136134-03-040		
GLD	12-UL	N/A	136135-10-085	N/A	136135-10-065	136135-10-046	(21M) (54E)	
	12-CA	N/A	136136-10-085	N/A	136136-10-065	136136-10-046	(21M) (54E)	
GRN	12-UL	136135-08-090	136135-08-065	136135-08-110	136135-08-095	136135-08-095	(78J)	
	12-CA	136136-08-090	136136-08-065	136136-08-110	136136-08-095	136136-08-095	(78J)	
	12-UL	136135-08-070	136135-08-048	136135-08-093	136135-08-060	136135-08-075	(12D)	
	12-CA	136136-08-070	136136-08-048	136136-08-093	136136-08-060	136136-08-075	(12D)	
GRN 2	12-UL	136135-14-054	136135-14-080	136135-14-054	136135-14-054	136135-14-054	(12D)	
	12-CA	136136-14-054	136136-14-080	136136-14-054	136136-14-054	136136-14-054	(12D)	
PUR	14-UL	136131-04-090	136131-04-065	136131-04-140	136131-04-160	136131-04-090		
	14-CA	136134-04-090	136134-04-065	136134-04-140	136134-04-160	136134-04-090		
RED	12-UL	136135-07-090	136135-07-065	136135-07-110	136135-07-095	136135-07-095		
	12-CA	136136-07-090	136136-07-065	136136-07-110	136136-07-095	136136-07-095		
WHT	12-UL	136135-09-025	136135-09-051	136135-09-075	136135-09-040	136135-09-025	(1B2)	
	12-CA	136136-09-025	136136-09-051	136136-09-075	136136-09-040	136136-09-025	(1B2)	
YEL	14-UL	136131-05-020	136131-05-065	136131-05-030	136131-05-052	136131-05-020		
	14-CA	136134-05-020	136134-05-065	136134-05-030	136134-05-052	136134-05-020		
YEL 2	14-UL	136131-13-040	136131-13-085	136131-13-041	136131-13-055	136131-13-040		
	14-CA	136134-13-040	136134-13-085	136134-13-041	136134-13-055	136134-13-040		
GRY	14-UL	N/A	N/A	N/A	136131-15-075	-----	(14C)	
	14-CA	N/A	N/A	N/A	136134-15-075	-----	(14C)	
MAIN	10-UL	136137-01-070	136137-01-048	136137-01-093	136137-01-060	136137-01-075	(12D)	
	10-CA	136138-01-070	136138-01-048	136138-01-093	136138-01-060	136138-01-075	(12D)	
	6-3 UL	136139-01-070	136139-01-048	136139-01-093	136139-01-060	136139-01-075	(78J)	
	6-3 CA	136140-01-070	136140-01-048	136140-01-093	136140-01-060	136140-01-075	(78J)	
MAIN GROUND	N/A	N/A	136145-01-030	136145-01-045	-----			
ATS GROUND	136145-01-020	136145-01-020	136145-01-067	136145-01-061	136145-01-020			
CONDUIT ASM-CENTRAL A/C	151704-01-015	151704-01-015	151704-01-015	151704-01-015	151704-01-015			
GENERATOR CABLE-ASM	N/A	136148-02-027	136148-02-018	136148-02-018	136148-02-018		(1L1) OR (1L2)	

- (1L1) FRTL (FRED) 22K-300HP 22.5TIRE
- (1L2) FRTL (FRED) 27K-300HP 22.5TIRE
- (14C) FIREPLACE-ELECTRIC
- (54E) WASHER/DRYER
- (21M) WASHER/DRYER PREP
- (1B2) WTR HTR-10GAL/ELEC/LP/MTR/ID
- (78J) ELECTRICAL SYSTEM-50 AMP
- (12D) ELECTRICAL SYSTEM 30 AMP
- (265) CODES/STANDARDS-CSA/CMVSS
- (1B1) CODES/STANDARDS USA

WINNEBAGO COPYRIGHT 2009 WINNEBAGO INDUSTRIES, INC.

DFTR _____ ORIG. DATE _____

CHKR _____ ALL DIMENSIONS ARE IN MILLIMETERS

P.E. _____

M.E. _____ FIRST USED _____

DSNR _____ 10 J-SERIES

UNSPECIFIED TOLERANCES ARE: MATERIAL:

WHOLE DIM (X) : 3

ONE-PLACE (X.X) : 1.5

TWO-PLACE (X.XX) : 0.50

ANGLE : 1°

THIRD ANGLE PROJECTION

DO NOT SCALE DRAWING

TITLE: LOAD CENTER/ATS ASM

SHEET 1 of 5 PART NO 171004 REV _____

REF: 1 8/24/2009

PART OF WIRE ASM-CHASSIS.

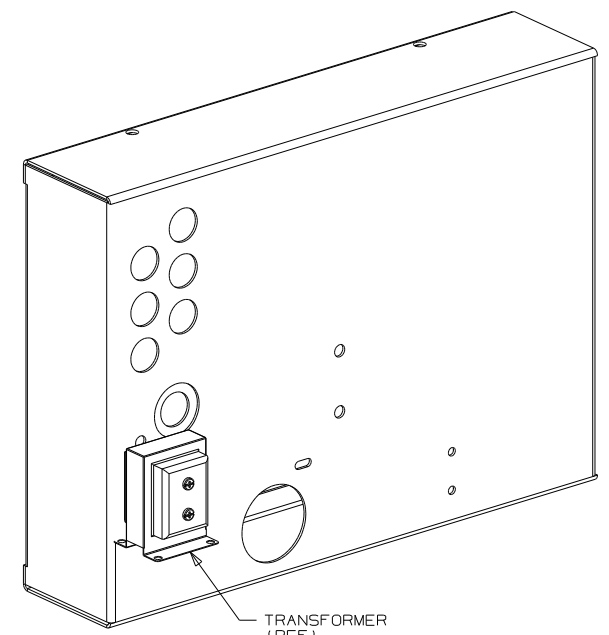
SEE DETAIL EA.

NOTES:

FOR ELECTRICAL TORQUE SPECIFICATIONS SEE DWG NO. 128783-01-000

FOR ELECTRICAL CALLOUTS SEE DWG NO. 121339-01-000

	8	7	6	5	4	3	2	1
	J32H	J37F	J35Z	J38N	J35P			
THROW IN WIRE #1	136131-03-145	136131-03-105	136131-03-080	136131-03-075	136131-03-020			
	136134-03-145	136134-03-105	136134-03-080	136134-03-075	136134-03-020			
THROW IN WIRE #2	136131-06-028	136131-12-040	136131-04-025 OR	136131-03-017	-----			
	136134-06-028	136134-12-040	136134-04-025 OR	136134-03-017	-----			
THROW IN WIRE #3	136131-12-057	136131-12-070	136131-12-052 OR	-----	136131-12-057			
	136134-12-057	136134-12-070	136134-12-052 OR	-----	136134-12-057			
THROW IN WIRE #4	136131-13-023	136131-13-028	136131-12-250	136131-12-030	136131-13-028			
	136134-13-023	136134-13-028	136134-12-250	136134-12-030	136134-13-028			
THROW IN WIRE #5	136131-12-140	136131-12-150	136131-12-006	136131-15-010	136131-12-145			
	136134-12-140	136134-12-150	136134-12-006	136134-15-010	136134-12-145			
THROW IN WIRE #6	136131-12-006	136131-12-006	136131-04-006	136131-12-006	136131-12-006			
	136134-12-006	136134-12-006	136134-04-006	136134-12-006	136134-12-006			
THROW IN WIRE #7	136131-04-018	136131-04-006	136131-12-035	136131-12-260	136131-04-018			
	136134-04-018	136134-04-006	136134-12-035	136134-12-260	136134-04-018			
THROW IN WIRE #8	----	136135-10-040	136131-04-070	136131-04-018	136135-10-040			
	----	136136-10-040	136134-04-070	136134-04-018	136136-10-040			
THROW IN FRONT TV	----	----	136131-12-008	----	-----			
	----	----	136134-12-008	----	-----			
SLIDEOUT WIRE #1	136151-03-017	136151-03-017	136151-03-028	136151-03-028	136151-03-017			
SLIDEOUT WIRE #2	136151-06-017	136151-06-017	136151-04-017	136151-06-028	136151-06-017			
SLIDEOUT WIRE #3	136151-12-017	136151-12-017	136151-04-023	136151-12-028	136151-12-017			
SLIDEOUT WIRE #4	136151-13-017	136151-13-017	136151-12-023	136151-15-028	136151-13-017			
SLIDEOUT WIRE #5	136151-04-018	136152-10-019	----	136151-04-017	136152-10-019			
SLIDEOUT WIRE #6	----	136151-04-015	----	136151-03-026	136151-04-018			
SLIDEOUT WIRE #7	----	136151-02-023	----	----	136151-02-023			



DETAIL BA
(LOAD CENTER SHOWN FROM THE BACK SIDE)

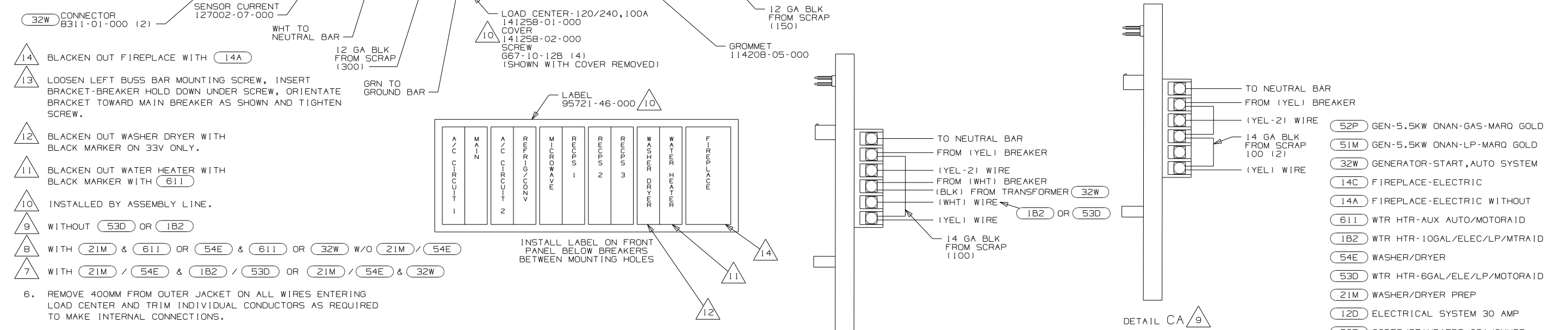
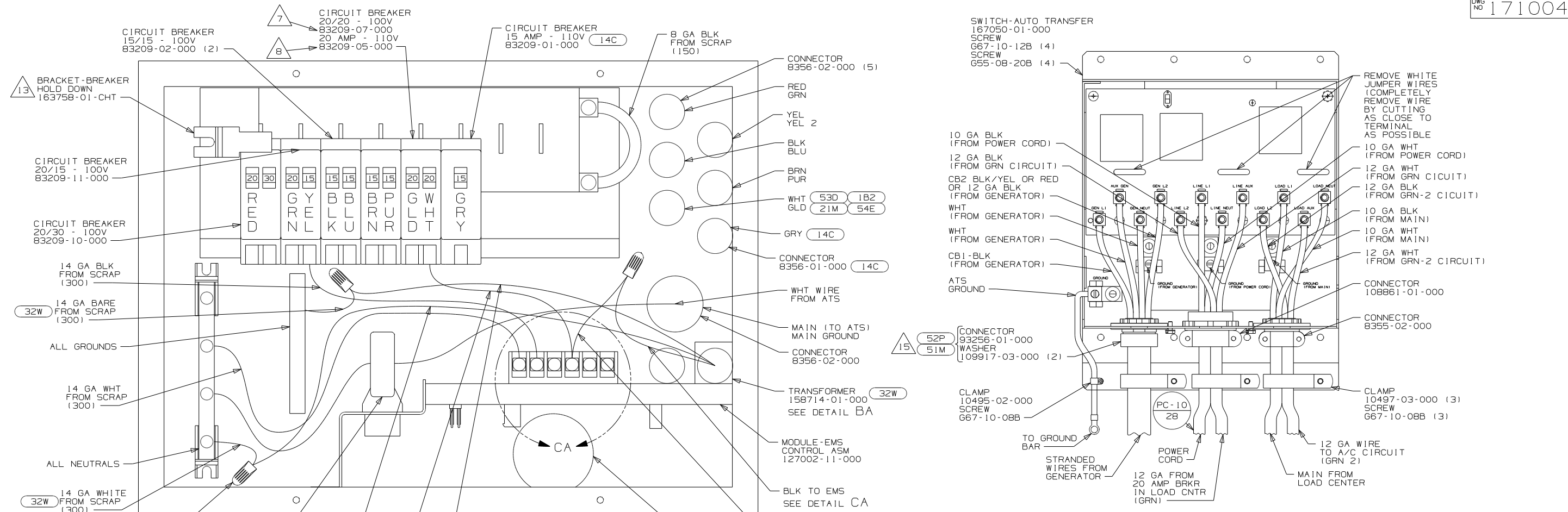
- DINING/BUFFET/TV
- ELECTRICAL SYSTEM-50 AMP
- SLEEP NUMBER BED-KING SIZE
- SLEEP NUMBER BED-QUEEN SIZE
- BED - BUNKS
- INVERTER-DC/AC,600 WATT
- ELECTRICAL SYSTEM 30 AMP
- FIREPLACE-ELECTRIC
- SOFA (BEDROOM)
- SOFA (BEDROOM) ULTRALEATHER
- CODES/STANDARDS-CSA/CMVSS
- CODES/STANDARDS USA

- NOTES:
- SEE DETAIL EG.
 - SEE DETAIL EF.
 - SEE DETAIL EE.
 - SEE DETAIL ED.
 - SEE DETAIL EC.
 - SEE DETAIL EB.
 - SEE DETAIL EA.

FOR ELECTRICAL TORQUE SPECIFICATIONS SEE DWG NO. 128783-01-000

FOR ELECTRICAL CALLOUTS SEE DWG NO. 121339-01-000

FIRST USED	10 J-SERIES
TITLE	DO NOT SCALE DRAWING
TITLE	LOAD CENTER/ATS ASM
SHEET 2	PART NO 171004 REV

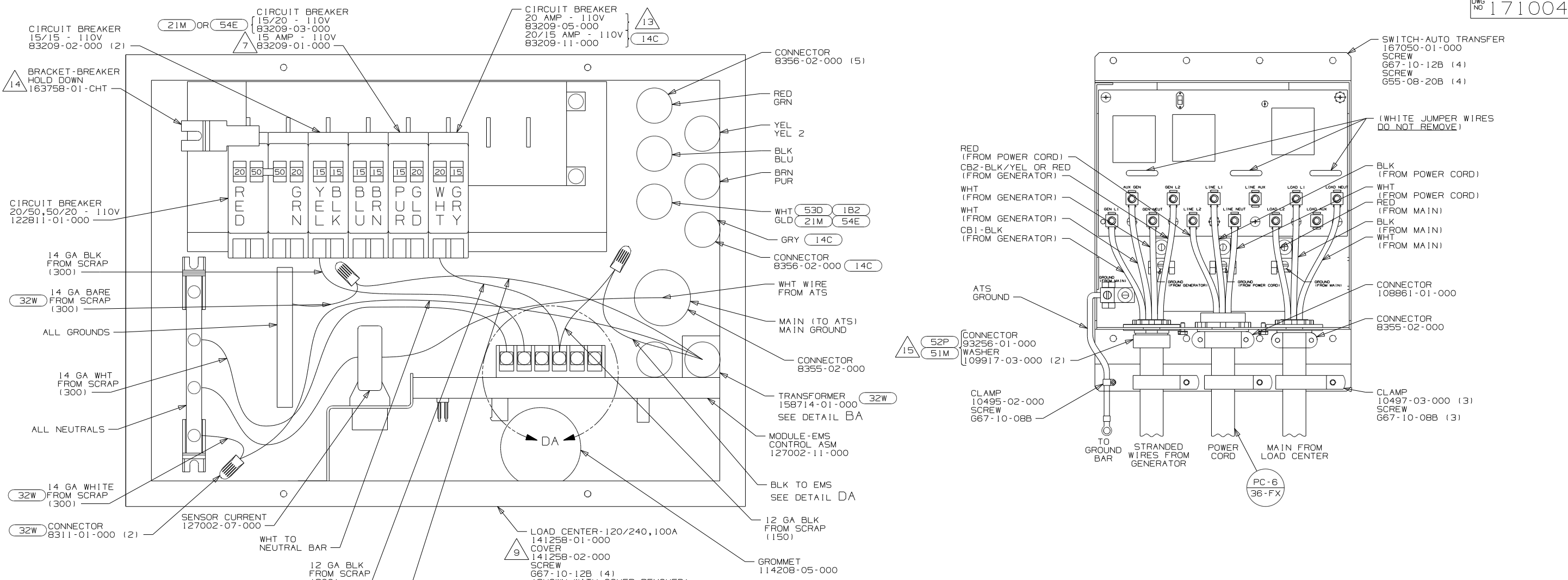


- NOTES:
1. ALL GROUND WIRES TO BE COVERED WITH TUBING 8041-02-000.
 2. GROUND WIRES ARE NOT SHOWN FOR CLARITY.
 3. ALL WIRES TO BE CLAMPED WITHIN 200MM OF ATS.
 4. ALL 110V STRANDED WIRE W/O TERMINALS TO BE STRIPPED 10MM AND SOLDER DIPPED.
 5. ATTACH WIRES TO BACKSIDE OF LOAD CENTER, USE EXISTING HOLES AND TIE-WIRE 116673-01-000.
 6. REMOVE 400MM FROM OUTER JACKET ON ALL WIRES ENTERING LOAD CENTER AND TRIM INDIVIDUAL CONDUCTORS AS REQUIRED TO MAKE INTERNAL CONNECTIONS.
- 14 BLACKEN OUT FIREPLACE WITH 14A
- 13 LOOSEN LEFT BUSS BAR MOUNTING SCREW, INSERT BRACKET-BREAKER HOLD DOWN UNDER SCREW, ORIENTATE BRACKET TOWARD MAIN BREAKER AS SHOWN AND TIGHTEN SCREW.
- 12 BLACKEN OUT WASHER DRYER WITH BLACK MARKER ON 33V ONLY.
- 11 BLACKEN OUT WATER HEATER WITH BLACK MARKER WITH 611
- 10 INSTALLED BY ASSEMBLY LINE.
- 9 WITHOUT 53D OR 1B2
- 8 WITH 21M & 611 OR 54E & 611 OR 32W W/O 21M / 54E
- 7 WITH 21M / 54E & 1B2 / 53D OR 21M / 54E & 32W
- 15 CONNECTOR IS SUPPLIED ON DIESEL GENERATOR CABLE ASM.

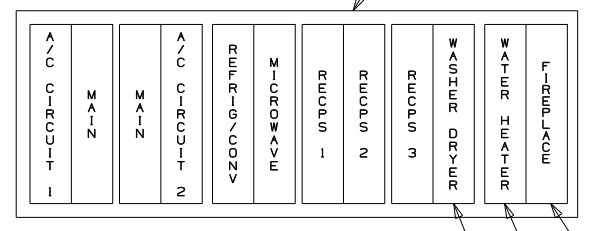
FOR ELECTRICAL TORQUE SPECIFICATIONS SEE DWG NO. 128783-01-000

FOR ELECTRICAL CALLOUTS SEE DWG NO. 121339-01-000

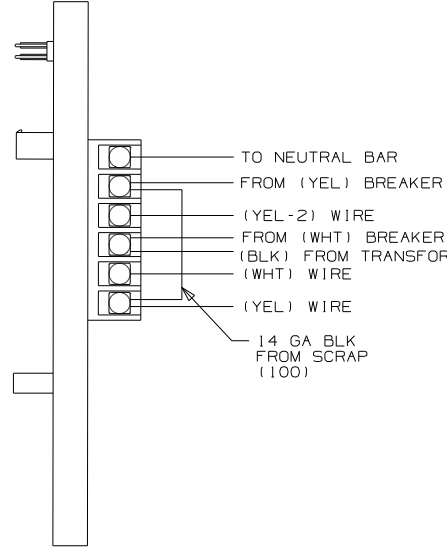
FIRST USED	
10 J-SERIES	
DO NOT SCALE DRAWING	
TITLE: LOAD CENTER/ATS ASM	
SHEET 3	PART NO 171004 REV



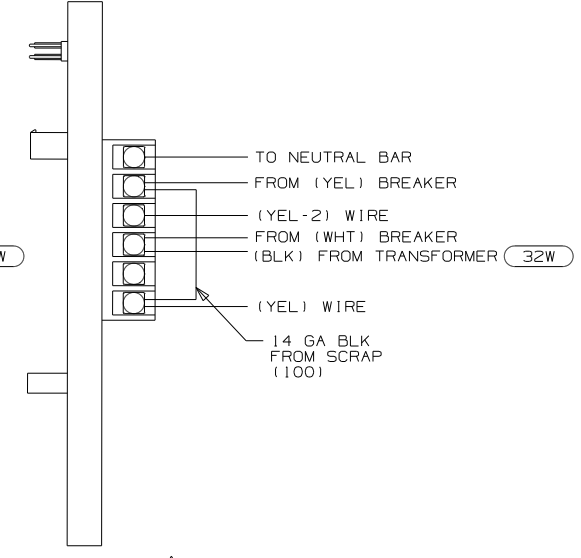
- 13 WITHOUT 14C
- 12 BLACKEN OUT FIREPLACE WITHOUT 14C
- 11 BLACKEN OUT WATER HEATER WITH BLACK MARKER WITH 611
- 10 BLACKEN OUT WASHER DRYER WITH BLACK MARKER ON 33V ONLY.
- 9 INSTALLED BY ASSEMBLY LINE.
- 8 WITHOUT 53D OR 1B2
- 7 WITHOUT 21M OR 54E



INSTALL LABEL ON FRONT COVER PLATE BELOW THE BREAKERS



DETAIL DA



DETAIL DA

6. REMOVE 400MM FROM OUTER JACKET ON ALL WIRES ENTERING LOAD CENTER AND TRIM INDIVIDUAL CONDUCTORS AS REQUIRED TO MAKE INTERNAL CONNECTIONS.
5. ATTACH WIRES TO BACKSIDE OF LOAD CENTER, USE EXISTING HOLES AND TIE-WIRE 116673-01-000.
4. ALL 110V STRANDED WIRE W/O TERMINALS TO BE STRIPPED 10MM AND SOLDER DIPPED.
3. ALL WIRES TO BE CLAMPED WITHIN 200MM OF ATS.
2. GROUND WIRES ARE NOT SHOWN FOR CLARITY.
1. ALL GROUND WIRES TO BE COVERED WITH TUBING 8041-02-000.

NOTES:

- 15 CONNECTOR IS SUPPLIED ON DIESEL GENERATOR CABLE ASM.
- 14 LOOSEN LEFT BUSS BAR MOUNTING SCREW, INSERT BRACKET-BREAKER HOLD DOWN UNDER SCREW, ORIENTATE BRACKET TOWARD MAIN BREAKER AS SHOWN AND TIGHTEN SCREW.

FOR ELECTRICAL TORQUE SPECIFICATIONS SEE DWG NO. 128783-01-000

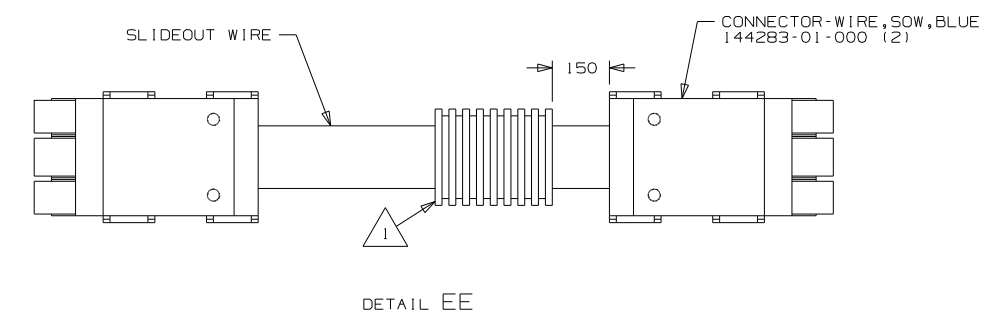
FOR ELECTRICAL CALLOUTS SEE DWG NO. 121339-01-000

- 52P GEN-5.5KW ONAN-GAS-MARO GOLD
- 51M GEN-5.5KW ONAN-LP-MARO GOLD
- 32W GENERATOR-START,AUTO SYSTEM
- 14C FIREPLACE-ELECTRIC
- 611 WTR HTR-AUX AUTO/MOTORAID
- 53D WTR HTR-6GAL/ELE/LP/MOTORAID
- 1B2 WTR HTR-10GAL/ELEC/LP/MTRAI D
- 54E WASHER/DRYER
- 21M WASHER/DRYER PREP
- 78J ELECTRICAL SYSTEM-50 AMP
- 265 CODES/STANDARDS-CSA/CMVSS
- 1B1 CODES/STANDARDS USA

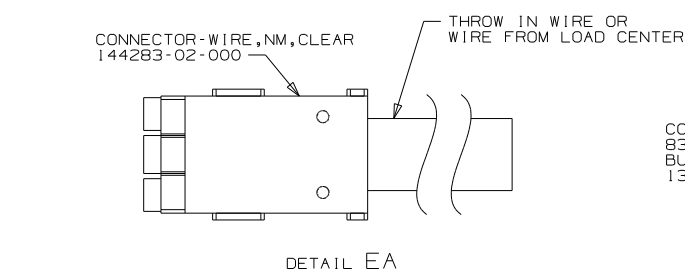
FIRST USED	
10 J-SERIES	
DO NOT SCALE DRAWING	
TITLE: LOAD CENTER/ATS ASM	
SHEET 4	PART NO 171004 REV

BOX
131679-01-000
COVER
131680-01-000
WIRE ASM-GROUND
133678-01-000
CONNECTOR
8313-01-000 (2)
8311-01-000
SCREW-GROUND, GREEN
(SUPPLIED W/BOX)

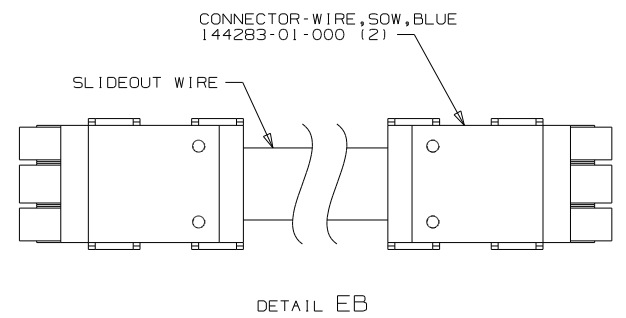
CONNECTOR
8353-01-000
BUSHING-CONDUIT
132054-01-000



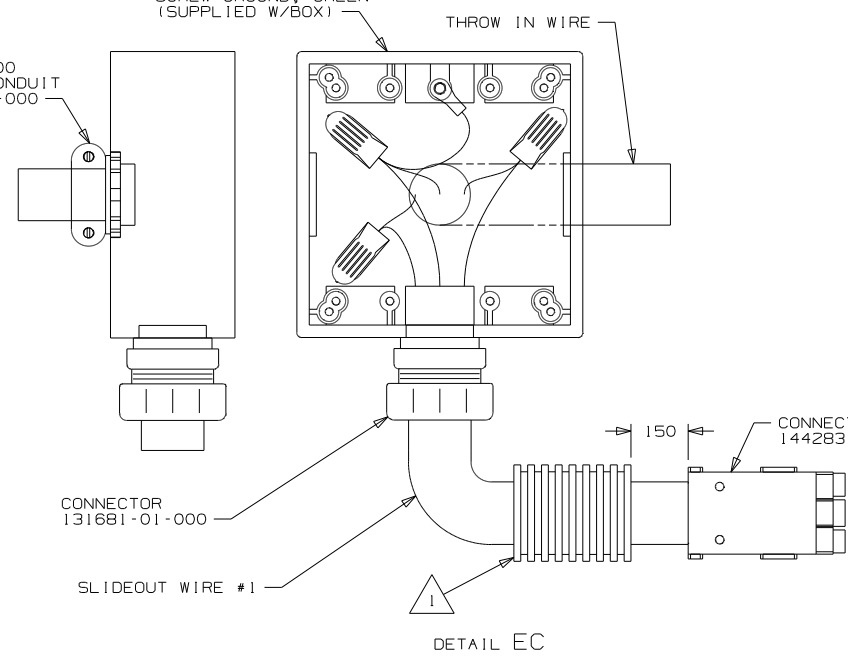
DETAIL EE



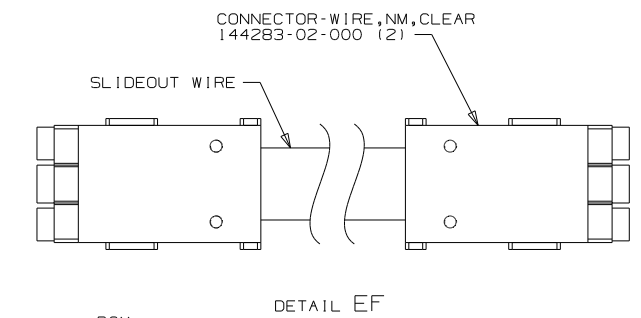
DETAIL EA



DETAIL EB



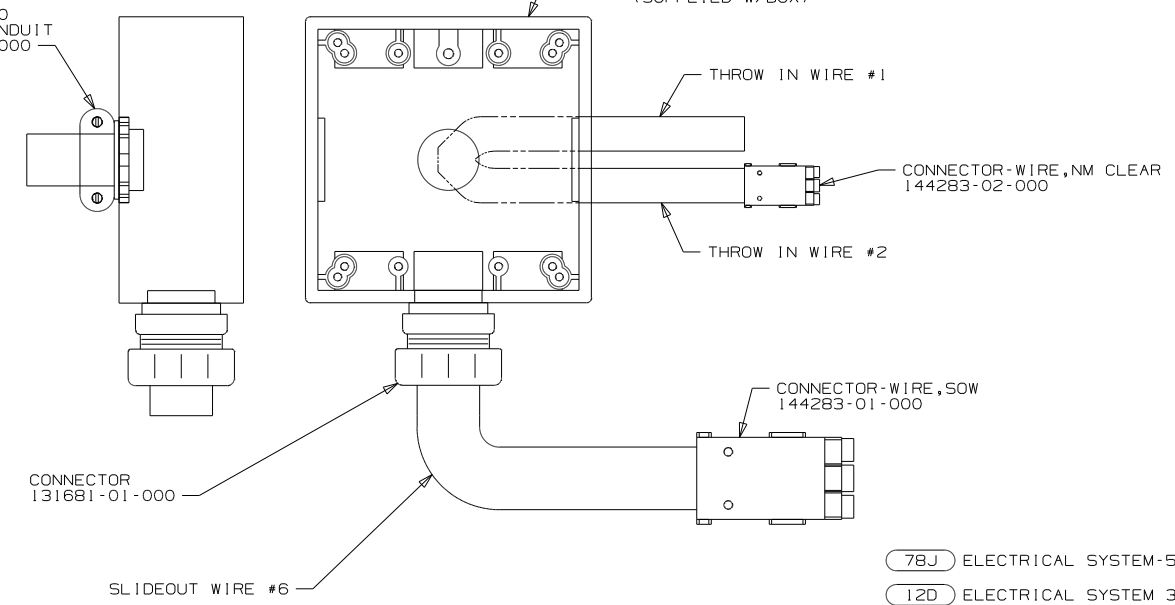
DETAIL EC



DETAIL EF

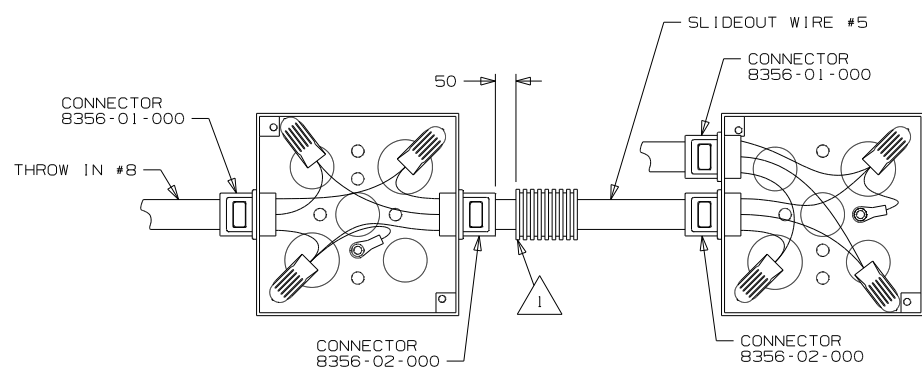
CONNECTOR
8353-01-000
BUSHING-CONDUIT
132054-01-000

BOX
131679-01-000
COVER
131680-01-000
WIRE ASM-GROUND
133678-01-000
CONNECTOR
8311-01-000 (2)
8314-01-000
SCREW-GROUND, GREEN
(SUPPLIED W/BOX)



DETAIL ED

BOX
8289-01-000 (2)
SCREW
611-08-12B (5)
COVER
8294-01-000 (2)
CONNECTOR
8356-01-000 (8)
WIRE ASM-GROUND
133678-01-000 (2)
CONNECTOR
8313-01-000 (6)
SCREW-GROUND GREEN
103291-01-000 (2)



DETAIL EG

2 THE BLACK INDIVIDUAL CONDUCTORS FOR EACH SPECIFIC COLORED CIRCUIT ARE TO BE CONNECTED TOGETHER. THE WHITE INDIVIDUAL CONDUCTORS FOR EACH SPECIFIC COLORED CIRCUIT ARE TO BE CONNECTED TOGETHER. ALL GROUND WIRES ARE TO BE CONNECTED TOGETHER.

1 APPLY 300MM OF CONDUIT-CONVOLUTE 41953-05-000 OVER WIRE AT DIMENSION SHOWN AND SECURE BOTH ENDS OF TUBING TO WIRE WITH TAPE 8363-01-000.

NOTES:

- 78J ELECTRICAL SYSTEM-50 AMP
- 12D ELECTRICAL SYSTEM 30 AMP
- 265 CODES/STANDARDS-CSA/CMVSS
- 1B1 CODES/STANDARDS USA

1B1 265 12D 78J

FIRST USED	10 J-SERIES
TITLE:	DO NOT SCALE DRAWING
	LOAD CENTER/ATS ASM
SHEET 5	PART NO 171004 REV

FOR ELECTRICAL TORQUE SPECIFICATIONS SEE DWG NO. 128783-01-000

FOR ELECTRICAL CALLOUTS SEE DWG NO. 121339-01-000