



DANGER

Danger of electrical shock, burns or death. Always remove all power sources before attempting any repair, service or diagnostic work. Power can be present from shore power, generator, inverter or battery. All power sources must be disabled and secured before performing any service.

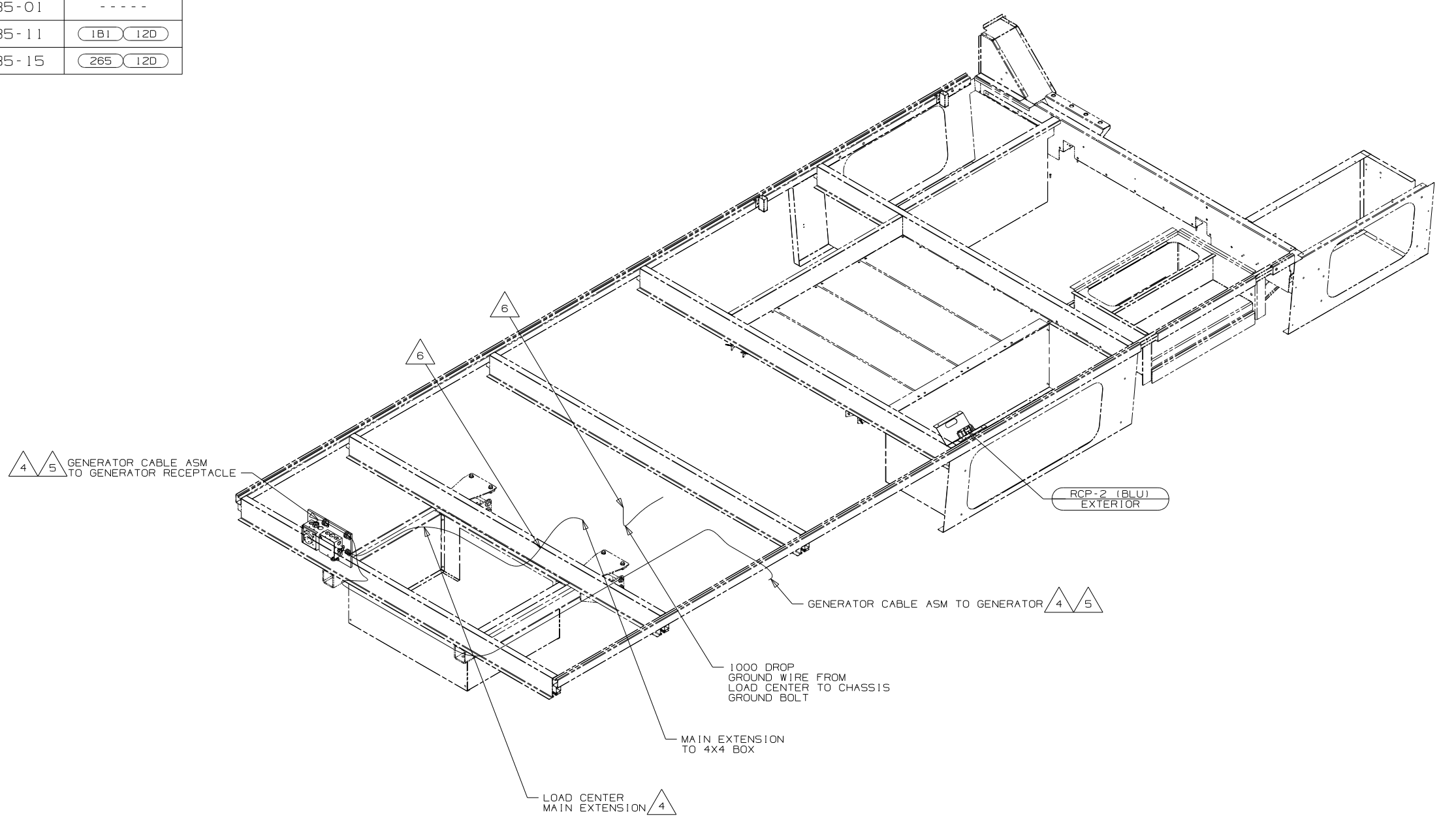


CAUTION

If you lack the skills, tools or equipment to perform diagnostic or repair work leave such work to an authorized Winnebago Industries dealer or other qualified shop.

DRAWING NO.	FEATURE
170335-01	-----
170335-11	(1B1) (12D)
170335-15	(265) (12D)

RELEASE	REV DATE A	DWG NO 170335
REV ZONE	REVISION RECORD	DATE DFR-ORIG



- NOTES:
- 7 CORD AND CONNECTORS ARE PART OF WIRE ASM-CHASSIS.
 - 6 WIRES ROUTED THROUGH FLOOR IN THIS AREA.
 - 5 SEE GENERATOR INSTL. FOR ADDITIONAL INFORMATION.
 - 4 SEE LOAD CENTER/ATS ASM FOR ADDITIONAL INFORMATION.
3. ALL GROUND WIRES TO BE COVERED WITH TUBING 8041-02-000.
 2. ALL 110V WIRE ARE TO BE CLAMPED WITH CLAMP 10497-05-000 WITHIN 200MM OF OUTLET BOXES, USE SCREW G67-10-12B.
 1. ALL WIRES TO BE SECURED WITH CLAMP 10495-01-000 OR CLIP 80734-01-000 EVERY 600MM. USE SCREW G67-10-12B UNLESS OTHERWISE SPECIFIED.

- (12D) ELECTRICAL SYSTEM 30 AMP
- (265) CODES/STANDARDS-CSA-CMVSS
- (1B1) CODES/STANDARDS USA

(1B1) (265) (12D)

WINNEBAGO COPYRIGHT 2009 WINNEBAGO INDUSTRIES, INC.

DFTR	ORIG. DATE
CHKR	ALL DIMENSIONS ARE IN MILLIMETERS
P.E.	
M.E.	FIRST USED
DSNR	10 H25T

UNSPECIFIED TOLERANCES ARE:	MATERIAL:
WHOLE DIM (X) : 3	
ONE-PLACE (X.X) : 1.5	
TWO-PLACE (X.XX) : 0.50	
ANGLE : 1°	

THIRD ANGLE PROJECTION

DO NOT SCALE DRAWING

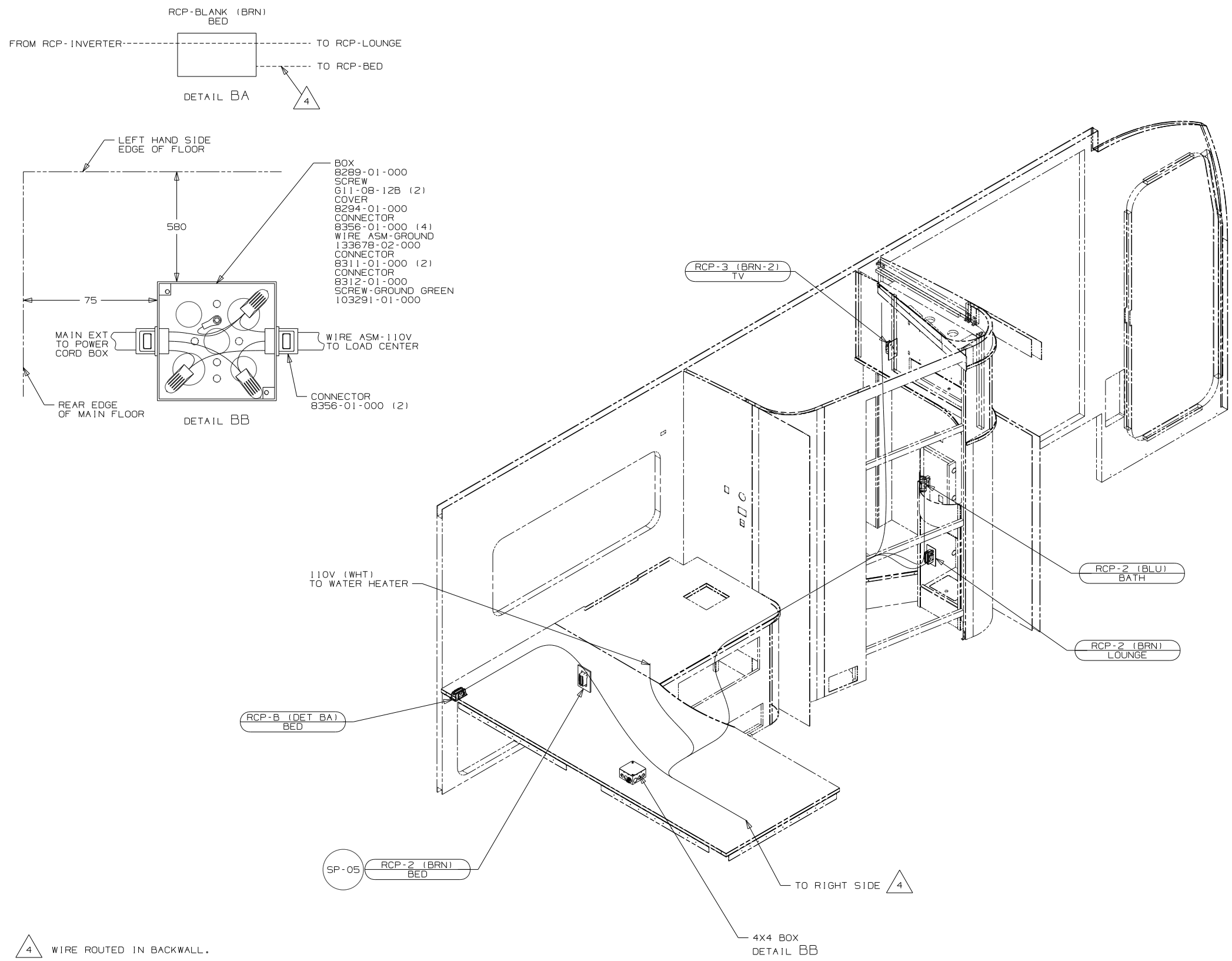
TITLE: WIRING INSTL-BODY, 110V

SHEET 1 OF 3 PART NO 170335 REV

REF: 1 12/16/2009

FOR ELECTRICAL TORQUE SPECIFICATIONS SEE DWG NO. 128783-01-000

(X-X) FOR ELECTRICAL CALLOUTS SEE DWG NO. 121339-01-000



- 4 WIRE ROUTED IN BACKWALL.
3. ALL GROUND WIRES TO BE COVERED WITH TUBING 8041-02-000.
2. ALL WIRING TO BE SECURED WITHIN 200MM OF OUTLET BOXES.
1. ALL WIRES TO BE SECURED WITH CLAMP 10495-01-000 OR CLIP 80734-01-000 EVERY 600MM. USE SCREW 667-10-12B UNLESS OTHERWISE SPECIFIED.

NOTES:

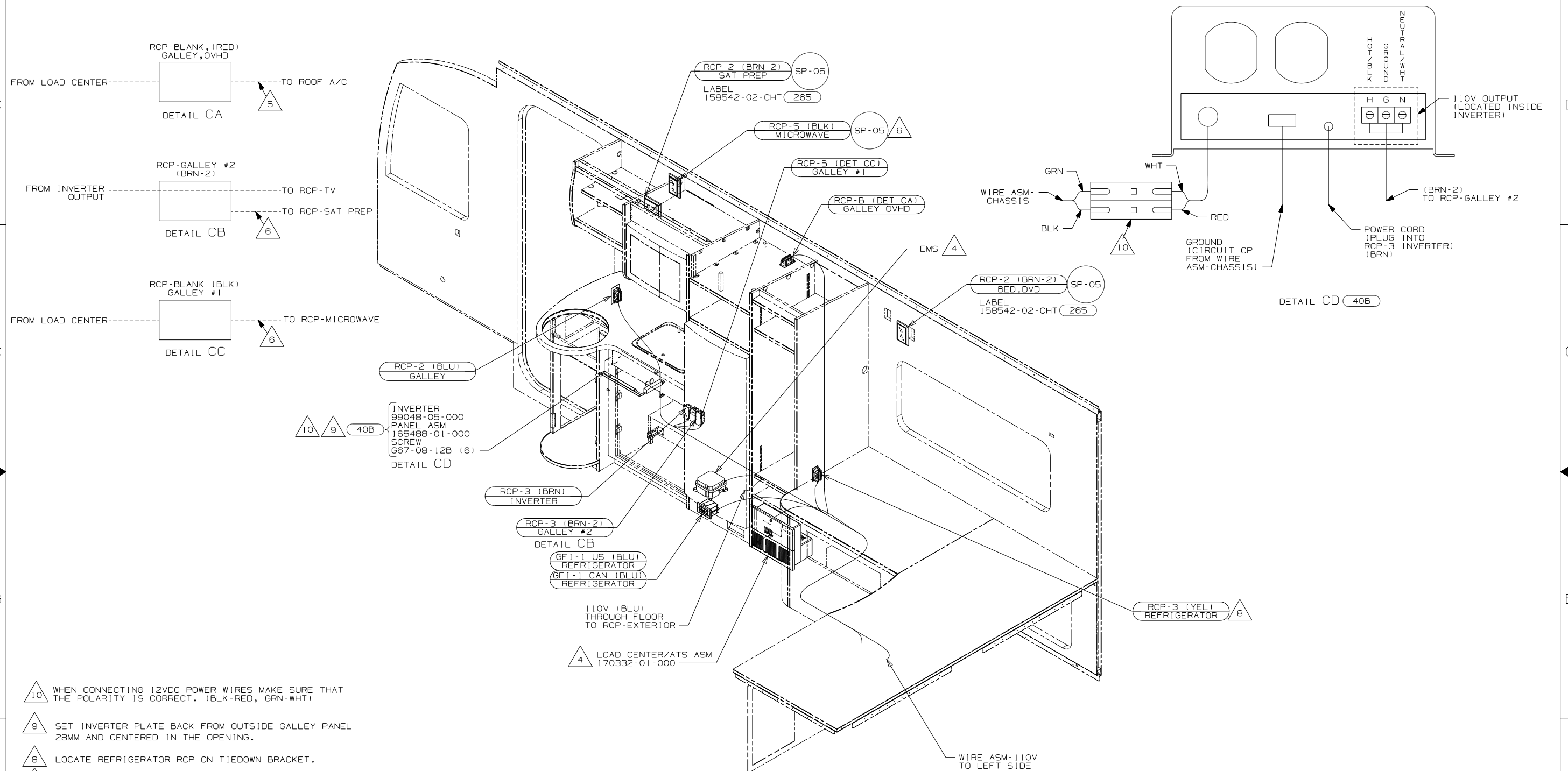
FOR ELECTRICAL TORQUE SPECIFICATIONS SEE DWG NO. 128783-01-000

FOR ELECTRICAL CALLOUTS SEE DWG NO. 121339-01-000

- 12D ELECTRICAL SYSTEM 30 AMP
- 265 CODES/STANDARDS-CSA/CMVSS
- 1B1 CODES/STANDARDS USA

1B1 265 12D

FIRST USED	
10 H25T	
DO NOT SCALE DRAWING	
TITLE: WIRING INSTL-BODY, 110V	
SHEET 2	PART NO 170335 REV



- 10 WHEN CONNECTING 12VDC POWER WIRES MAKE SURE THAT THE POLARITY IS CORRECT. (BLK-RED, GRN-WHT)
- 9 SET INVERTER PLATE BACK FROM OUTSIDE GALLEY PANEL 28MM AND CENTERED IN THE OPENING.
- 8 LOCATE REFRIGERATOR RCP ON TIEDOWN BRACKET.
- 7 SEE WIRING INSTL-TV/DVD FOR ADDITIONAL INFORMATION.
- 6 WIRE ROUTED IN SIDEWALL.
- 5 WIRE ROUTED IN ROOF.
- 4 SEE LOAD CENTER/ATS ASM FOR MORE INFORMATION.

3. ALL GROUND WIRES TO BE COVERED WITH TUBING 8041-02-000.
2. ALL WIRING TO BE SECURED WITHIN 200MM OF OUTLET BOXES.
1. ALL WIRES TO BE CLAMPED WITH CLAMP 10495-01-000 OR CLIP 80734-01-000 EVERY 1200MM. USE SCREW G67-10-12B UNLESS OTHERWISE SPECIFIED.

NOTES:

- 40B INVERTER-DC/AC, 300 WATT
- 12D ELECTRICAL SYSTEM 30 AMP
- 265 CODES/STANDARDS-CSA/CMVSS
- 1B1 CODES/STANDARDS USA

FIRST USED	10 H25T
TITLE	DO NOT SCALE DRAWING
TITLE	WIRING INSTL-BODY, 110V
SHEET 3	PART NO 170335 REV

FOR ELECTRICAL TORQUE SPECIFICATIONS SEE DWG NO. 128783-01-000

FOR ELECTRICAL CALLOUTS SEE DWG NO. 121339-01-000