



**DANGER**

**Danger of electrical shock, burns or death.** Always remove all power sources before attempting any repair, service or diagnostic work. Power can be present from shore power, generator, inverter or battery. All power sources must be disabled and secured before performing any service.

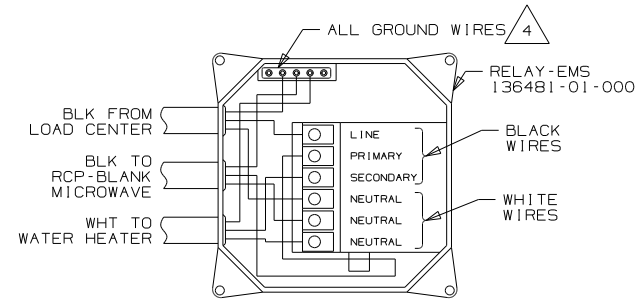
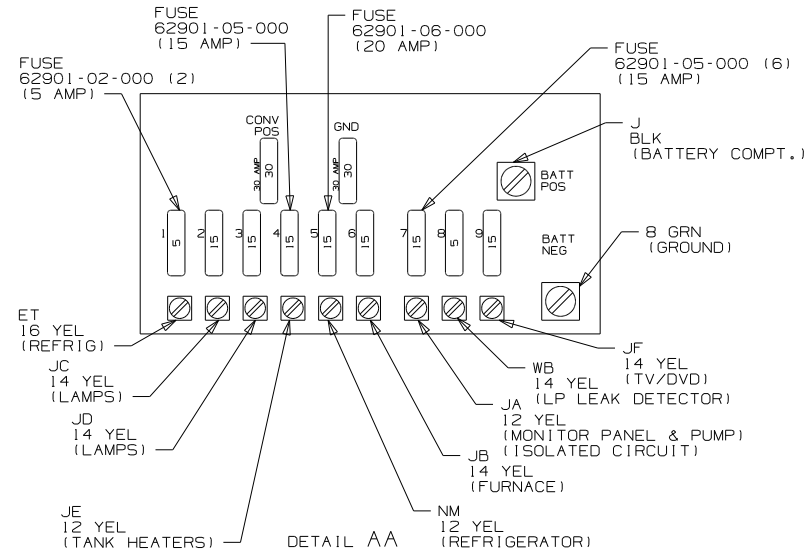
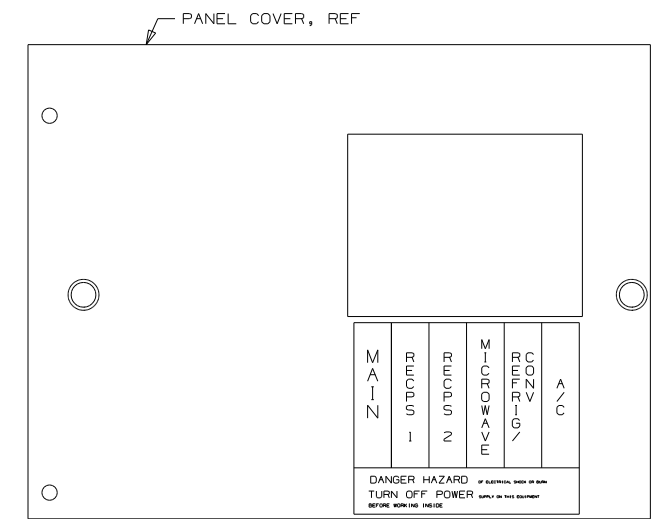
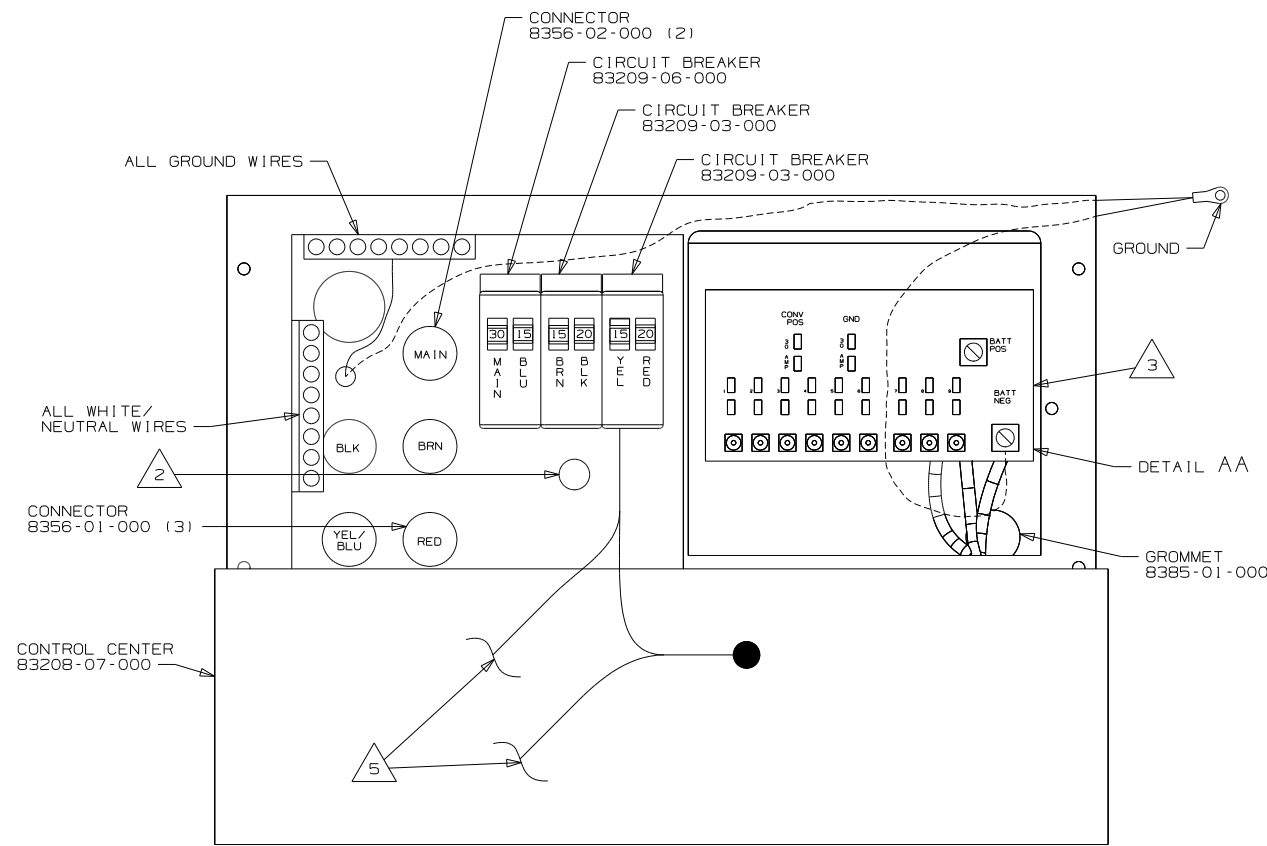


**CAUTION**

If you lack the skills, tools or equipment to perform diagnostic or repair work leave such work to an authorized Winnebago Industries dealer or other qualified shop.

8		7	6
		H25R	H25T
GROUND	8-G	136145-06-025	136145-06-035
WIRE ASM	110V US	172755-01-000	171068-01-000
WIRE ASM	110V CA	172755-02-000	171068-02-000
GENERATOR CABLE ASM	UL	164957-01-050	164957-01-050
	CA	164957-03-050	164957-03-050
MAIN EXTENSION	UL	-----	136137-01-024
	CA	-----	136138-01-024
SLIDEOUT WIRE #1		136152-03-030	-----

RELEASE	REV DATE	DWG NO	170332
REV ZONE	REVISION RECORD	DATE	DFTR-ORIG



- 6 SEE DETAIL BD FOR CONNECTOR INSTALLATION.
- 5 CONNECT CONVERTER POWER CIRCUIT INTO YELLOW BREAKER AND USE SUPPLIED WIRE NUT TO CONNECT YELLOW CIRCUIT.
- 4 ALL GROUND WIRE TO BE COVERED WITH TUBING 8041-02-000.
- 3 SEE WIRING INSTL-BODY, 12V FOR ADDITIONAL INFORMATION.
- 2 SECURE WIRES TO BACKSIDE OF LOAD CENTER WITH WIRE TIE 116673-01-000.

1. ALL GROUND WIRES TO BE COVERED WITH TUBING 8041-02-000.

NOTES:

FOR ELECTRICAL TORQUE SPECIFICATIONS SEE DWG NO. 128783-01-000

X-X FOR ELECTRICAL CALLOUTS SEE DWG NO. 121339-01-000

265 CODES/STANDARDS-CSA/CMVSS  
 1B1 CODES/STANDARDS USA  
 1B1 265

**WINNEBAGO** INDUSTRIES, INC. COPYRIGHT 2010

DFTR	ORIG. DATE
CHKR	ALL DIMENSIONS ARE IN MILLIMETERS
P.E.	FIRST USED
M.E.	10 H-SERIES
DSNR	

UNSPECIFIED TOLERANCES ARE:  
 WHOLE DIM (X) : 3  
 ONE-PLACE (X.X) : 1.5  
 TWO-PLACE (X.XX) : 0.50  
 ANGLE : 1°

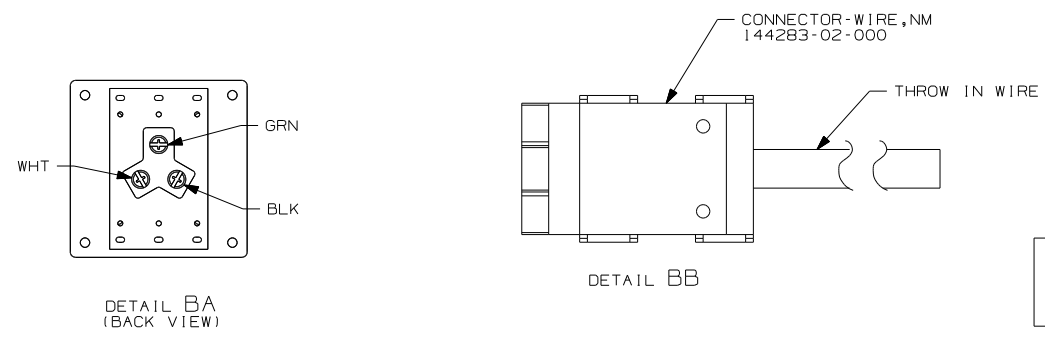
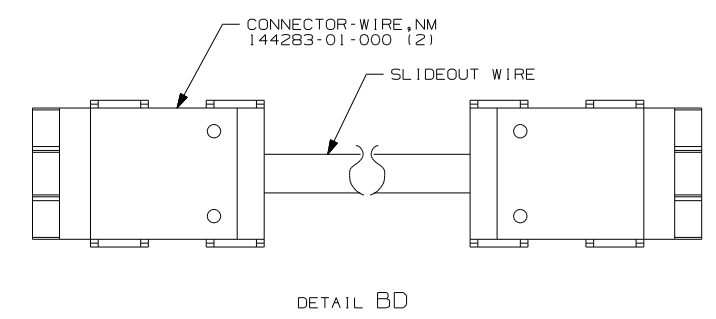
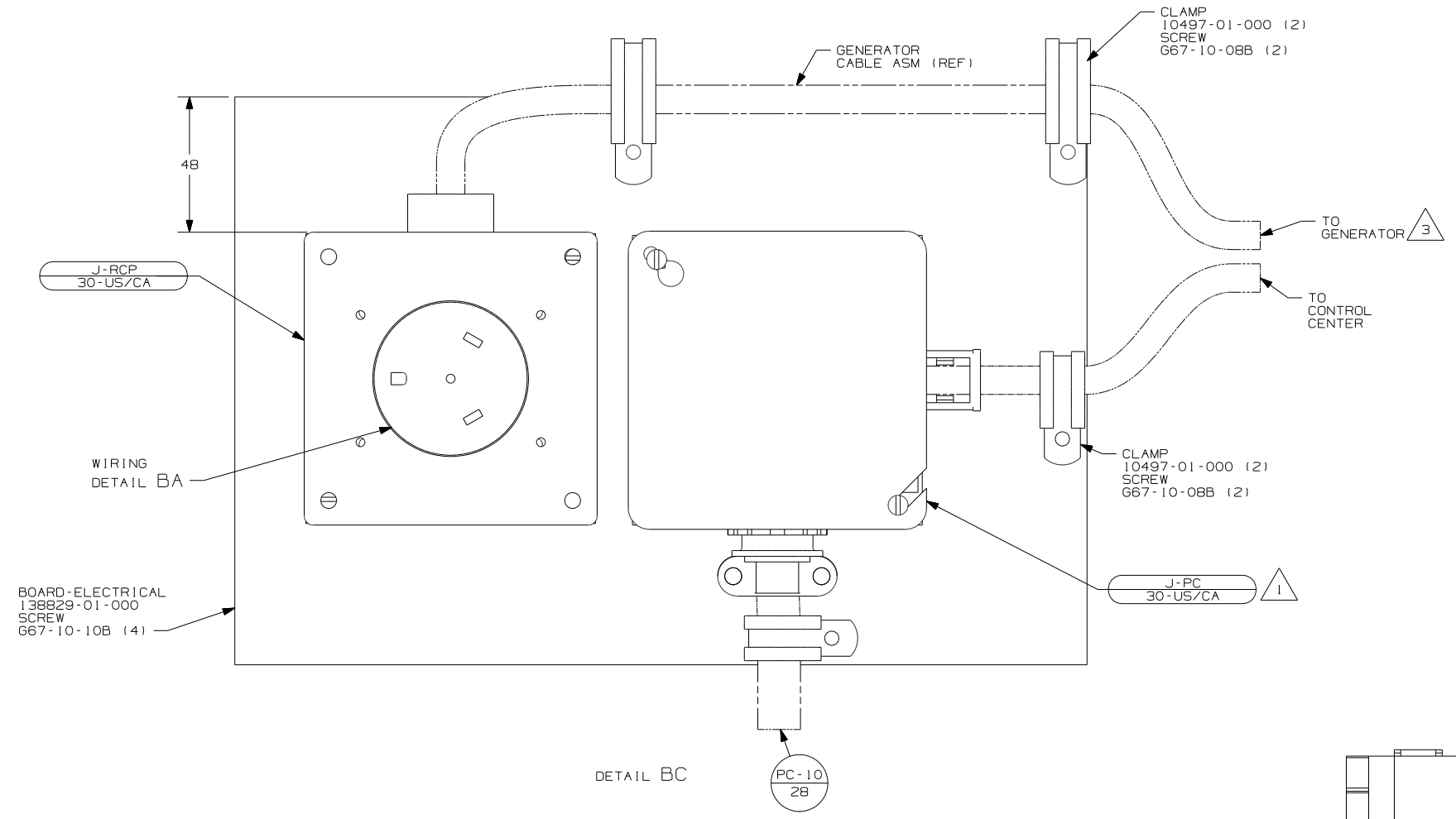
THIRD ANGLE PROJECTION

**DO NOT SCALE DRAWING**

TITLE: **LOAD CENTER/ATS ASM**

SHEET 1 of 2 PART NO 170332 REV

REF: 1/2/19/2010



- NOTES:
- 3 WIRES CONNECTED TO 4X4 BOX ON ASSEMBLY LINE ONCE PARTS ARE INSTALLED.
  - 2 SCREW INTO BACKSIDE OF BOARD THRU PANEL DURING INSTALLATION.
  - 1 CONNECT BLK TO BLK, WHT TO WHT, AND GRNDS TO GRNDS.

FOR ELECTRICAL TORQUE SPECIFICATIONS SEE DWG NO. 128783-01-000

X-X FOR ELECTRICAL CALLOUTS SEE DWG NO. 121339-01-000

- 265 CODES/STANDARDS-CSA/CMVSS
- 1B1 CODES/STANDARDS USA
- 1B1 265

FIRST USED	
10 H-SERIES	
DO NOT SCALE DRAWING	
TITLE: LOAD CENTER/ATS ASM	
SHEET 2	PART NO 170332 REV