



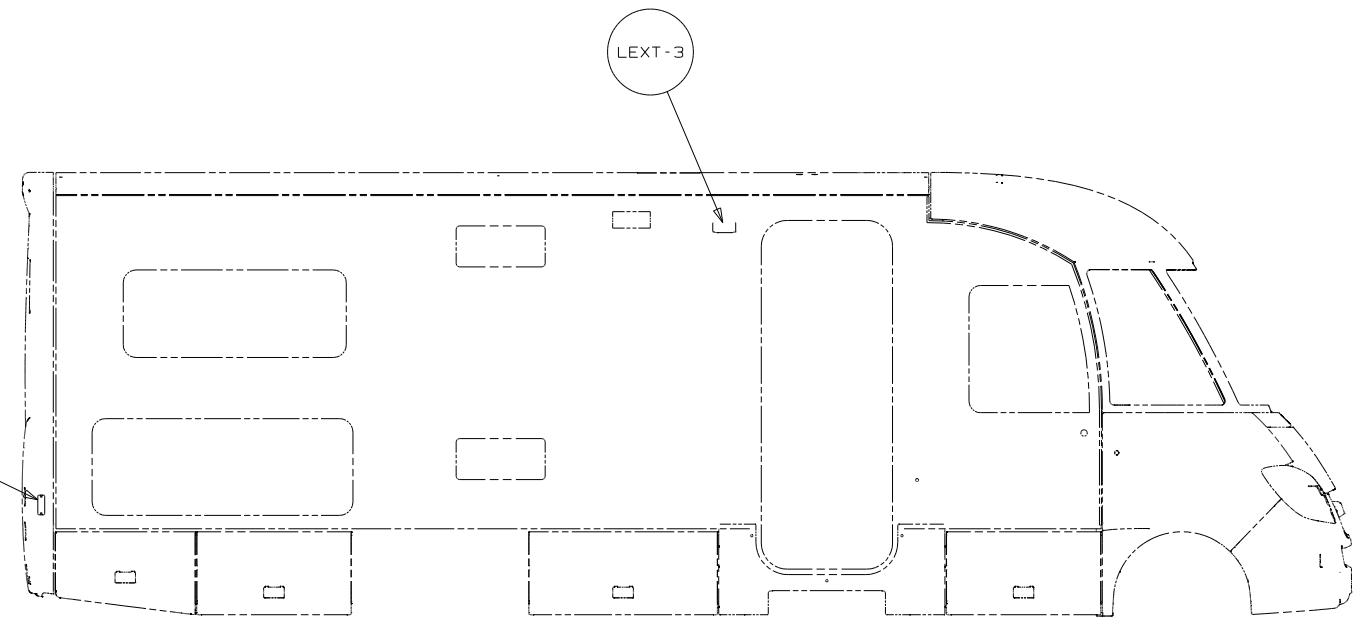
**DANGER**

**Danger of electrical shock, burns or death.** Always remove all power sources before attempting any repair, service or diagnostic work. Power can be present from shore power, generator, inverter or battery. All power sources must be disabled and secured before performing any service.

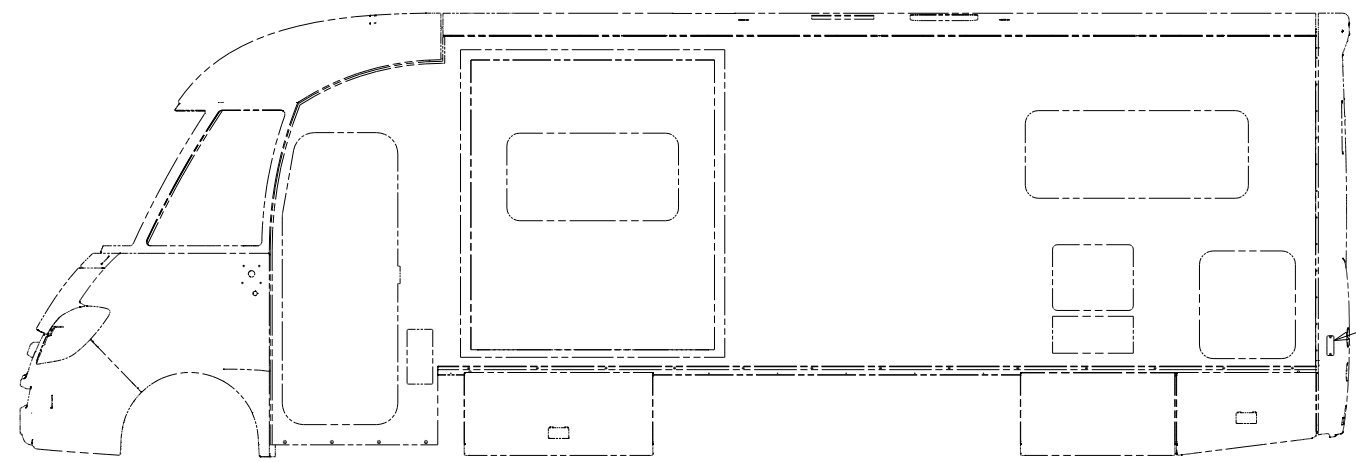


**CAUTION**

If you lack the skills, tools or equipment to perform diagnostic or repair work leave such work to an authorized Winnebago Industries dealer or other qualified shop.



LAMP ASM-SIDEMARKER, RED  
171195-01-000  
SCREW  
G11-08-12T (EXT) (2)



LAMP ASM-SIDEMARKER, RED  
171195-01-000  
SCREW  
G11-08-12T (EXT) (2)

- 265 CODES/STANDARDS-CSA/CMVSS
- 1B1 CODES/STANDARDS USA
- 1B1 265

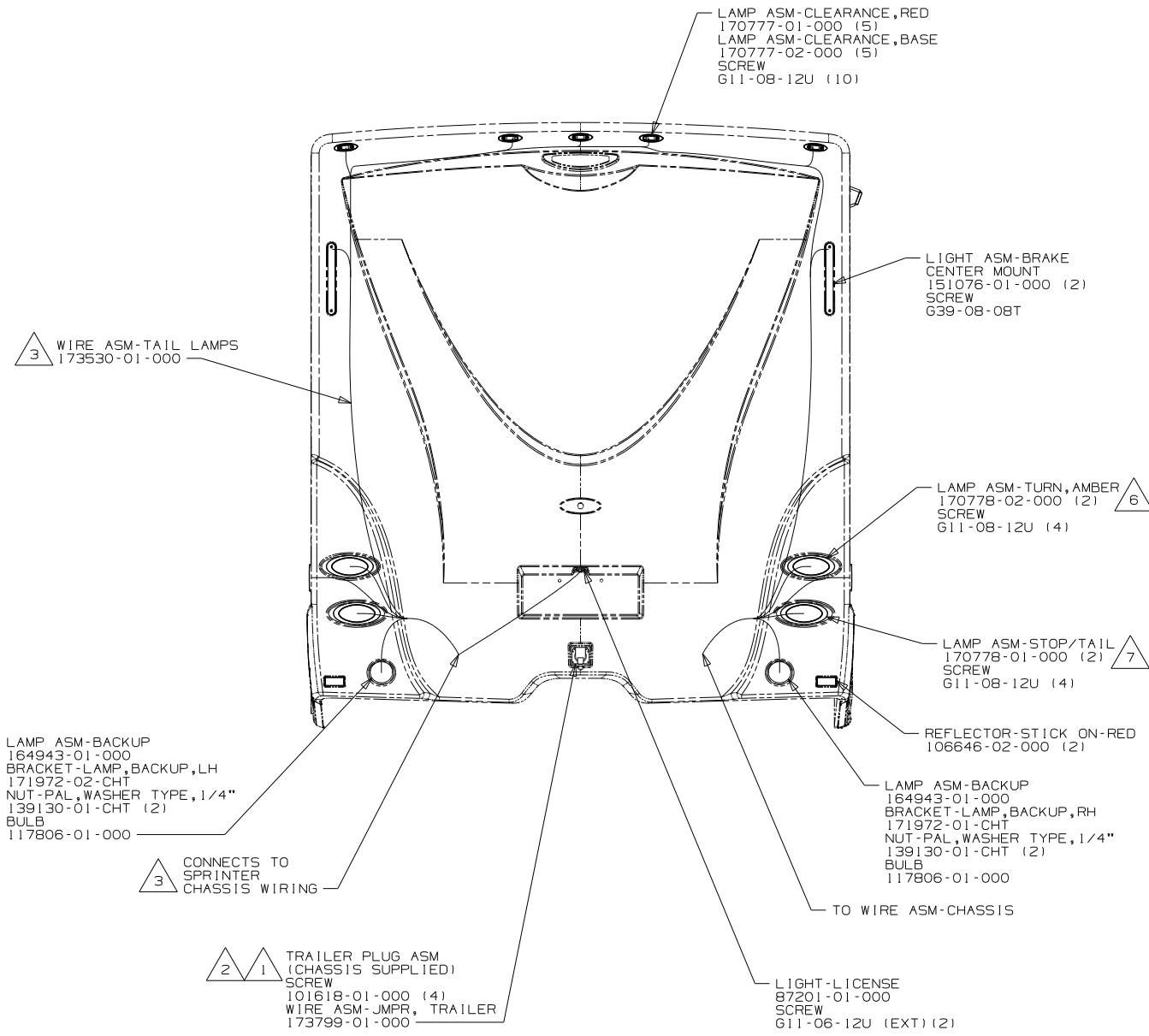
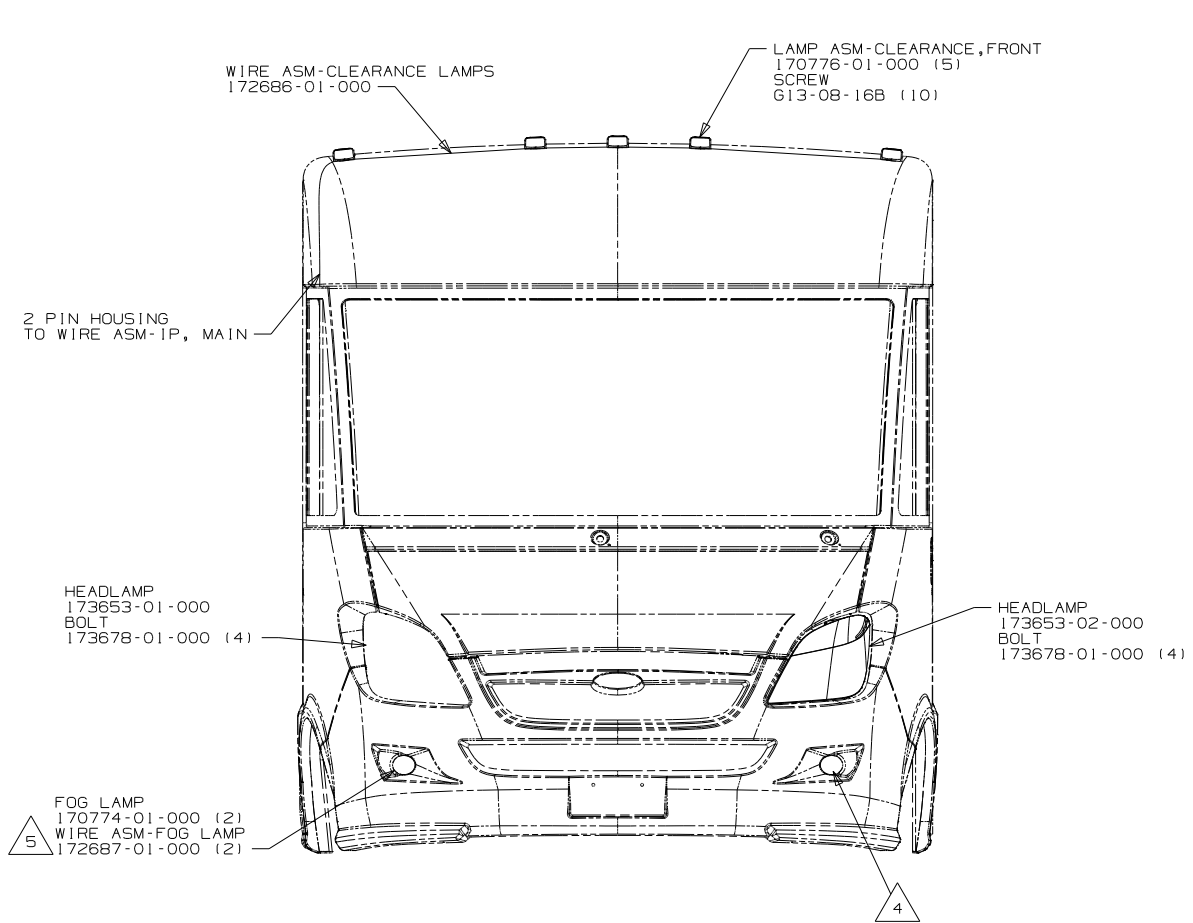


DFTR	ORIG. DATE
CHKR	ALL DIMENSIONS ARE IN MILLIMETERS
P.E.	
M.E.	FIRST USED
DSNR	10 H-SERIES
UNSPECIFIED TOLERANCES ARE:	
HOLE DIM (X)	: 3
ONE-PLACE (X.X)	: 1.5
TWO-PLACE (X.XX)	: 0.50
ANGLE	: 1°
THIRD ANGLE PROJECTION	

FOR ELECTRICAL  
TORQUE  
SPECIFICATIONS  
SEE DWG NO.  
128783-01-000

FOR  
ELECTRICAL  
CALLOUTS  
SEE DWG NO.  
121339-01-000

DO NOT SCALE DRAWING  
TITLE:  
WIRING INSTL-EXTERIOR LAMPS  
SHEET 1 of 2 PART NO 170328 REV



- 7 CONNECT CIRCUIT X TO RED WIRE.  
CONNECT CIRCUIT MM TO BLK WIRE.  
CONNECT CIRCUIT MS TO WHT WIRE.
- 6 CONNECT CIRCUIT SC OR SD TO RED WIRE.  
CONNECT CIRCUIT MS TO WHT WIRE.
- 5 CONNECT CIRCUIT MF TO GRY/YEL WIRE.  
CONNECT CIRCUIT AR TO BRN WIRE.
- 4 CONNECT CIRCUIT MF TO GRY/PUR WIRE.  
CONNECT CIRCUIT AR TO BRN WIRE.
- 3 REMOVE EXTENSION LOOMS THAT ARE SUPPLIED WITH CHASSIS. THE CHASSIS IS SUPPLIED WITH TWO 7-PIN CONNECTORS ALONG THE LEFT SIDE FRAME RAIL. THE CHASSIS WIRING WITH THE TWO 7-PIN CONNECTORS HAS A LONGER DROP AND A SHORTER DROP. ATTACH THE LONGER DROP TO THE WIRE ASM-TAILLAMP CONNECTOR WITH ONLY 2 PINS IN IT. ATTACH THE SHORTER DROP TO THE WIRE ASM-TAILLAMP CONNECTOR WITH 5 PINS.
- 2 SECURE WIRE BELOW COACH WITH CLAMP 10495-01-000 AND SCREW G67-10-12B.
- 1 CONNECTOR-PLUG, TRAILER 146246-01-000 TO BE SUPPLIED LOOSE IN COACH WITH TRAILER TOW PACKAGE.

NOTES:

265 CODES/STANDARDS-CSA/CMVSS

1B1 CODES/STANDARDS USA

1B1 265

FIRST USED	
10 H-SERIES	
DO NOT SCALE DRAWING	
TITLE:	
WIRING INSTL-EXTERIOR LAMPS	
SHEET 2	PART NO 170328 REV

FOR ELECTRICAL TORQUE SPECIFICATIONS SEE DWG NO. 128783-01-000

FOR ELECTRICAL CALLOUTS SEE DWG NO. 121339-01-000