



DANGER

Danger of electrical shock, burns or death. Always remove all power sources before attempting any repair, service or diagnostic work. Power can be present from shore power, generator, inverter or battery. All power sources must be disabled and secured before performing any service.

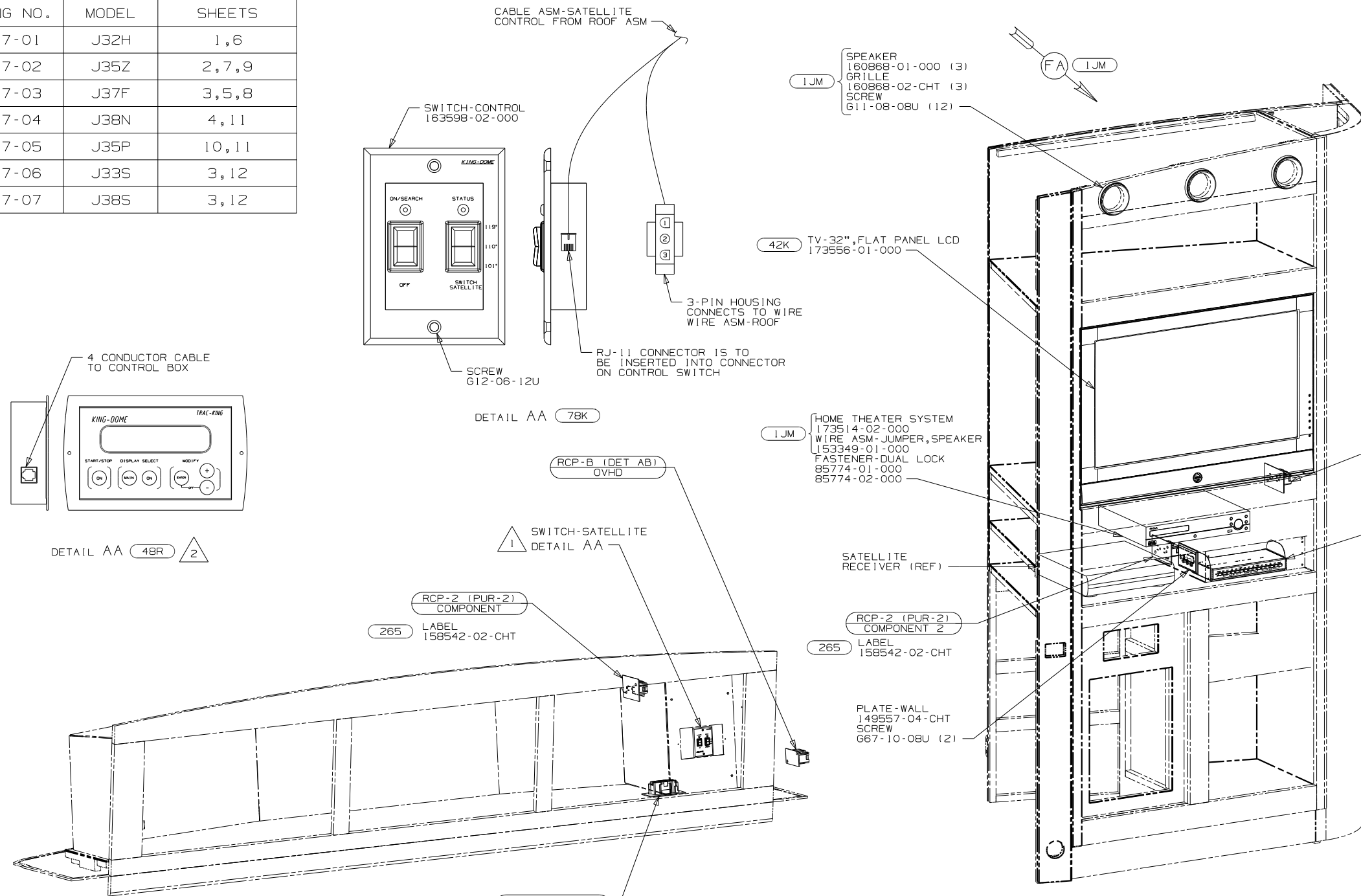


CAUTION

If you lack the skills, tools or equipment to perform diagnostic or repair work leave such work to an authorized Winnebago Industries dealer or other qualified shop.

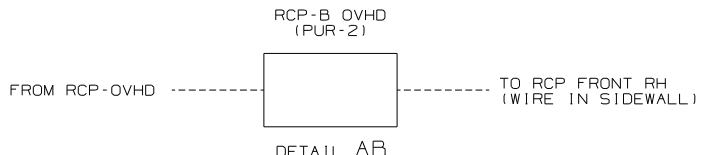
DRAWING NO.	MODEL	SHEETS
169917-01	J32H	1,6
169917-02	J35Z	2,7,9
169917-03	J37F	3,5,8
169917-04	J38N	4,11
169917-05	J35P	10,11
169917-06	J33S	3,12
169917-07	J38S	3,12

RELEASE	REV DATE	DWG NO
A		169917
REV ZONE	REVISION RECORD	DATE



- 48R SAT TV SYSTEM IN-MOTION
- 42K TV-32" COLOR, STEREO W/REMOTE
- 78K SATELLITE DISH-AUTOMATIC
- 25F DIGITAL VIDEO DISC PLAYER
- 1JM HOME THEATER SOUND SYSTEM
- 1JF HOME THEATER SYS-WITHOUT
- 79H ENTERTAINMENT CTR-INTERIOR
- 265 CODES/STANDARDS-CSA/CMVSS
- 1B1 CODES/STANDARDS USA

2 PARTS ARE SUPPLIED WITH SATELLITE KIT 154474-02-000.
 1 SEE ROOF ASM FOR ADDITIONAL INFORMATION.



FOR ELECTRICAL TORQUE SPECIFICATIONS SEE DWG NO. 128783-01-000

FOR ELECTRICAL CALLOUTS SEE DWG NO. 121339-01-000

WINNEBAGO COPYRIGHT 2010 WINNEBAGO INDUSTRIES, INC.

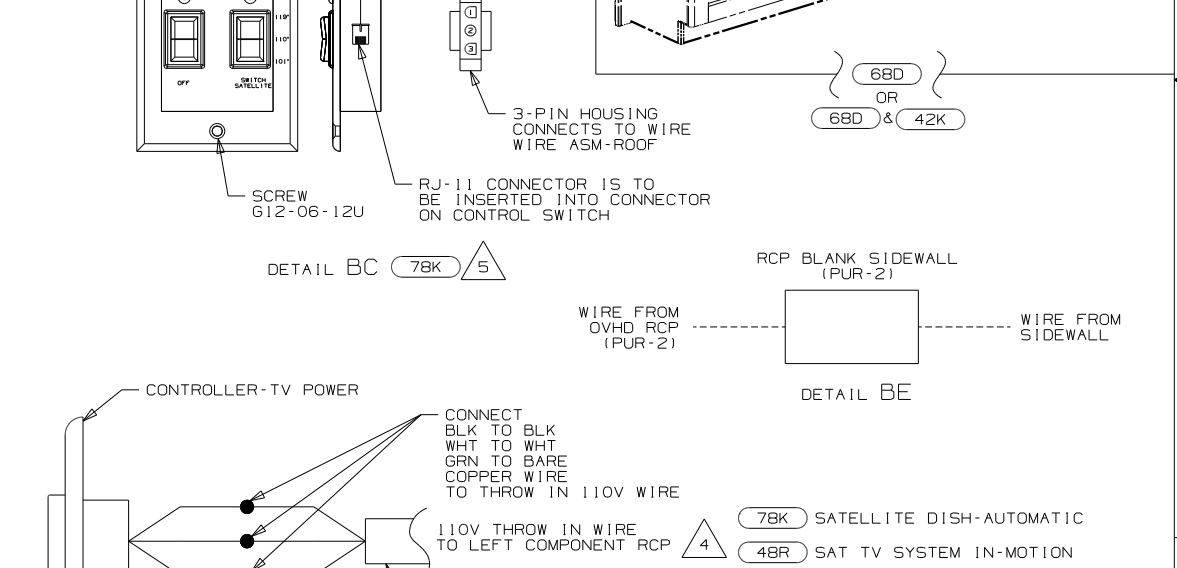
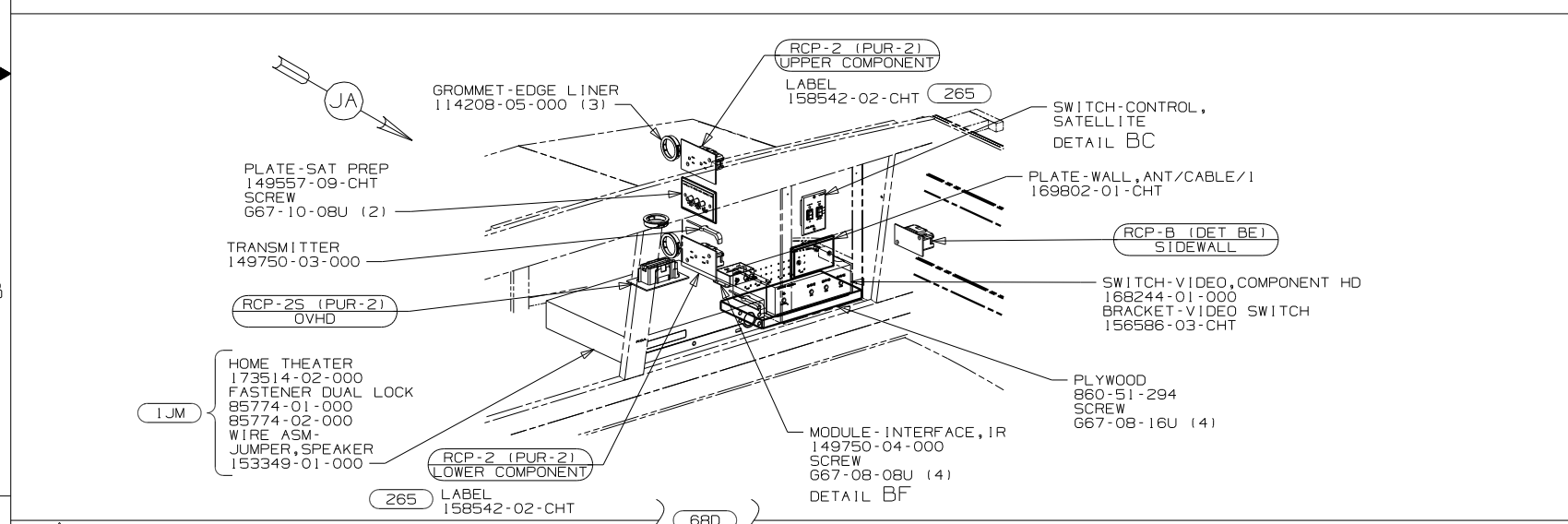
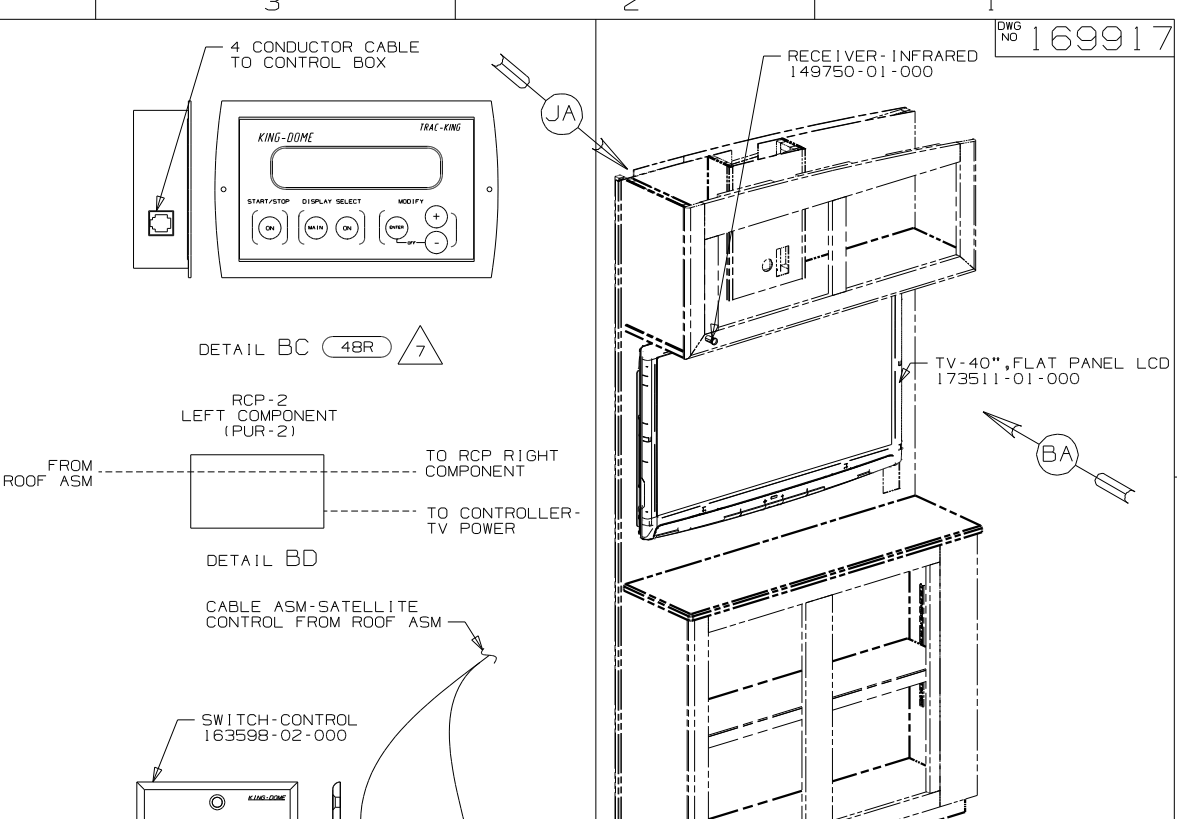
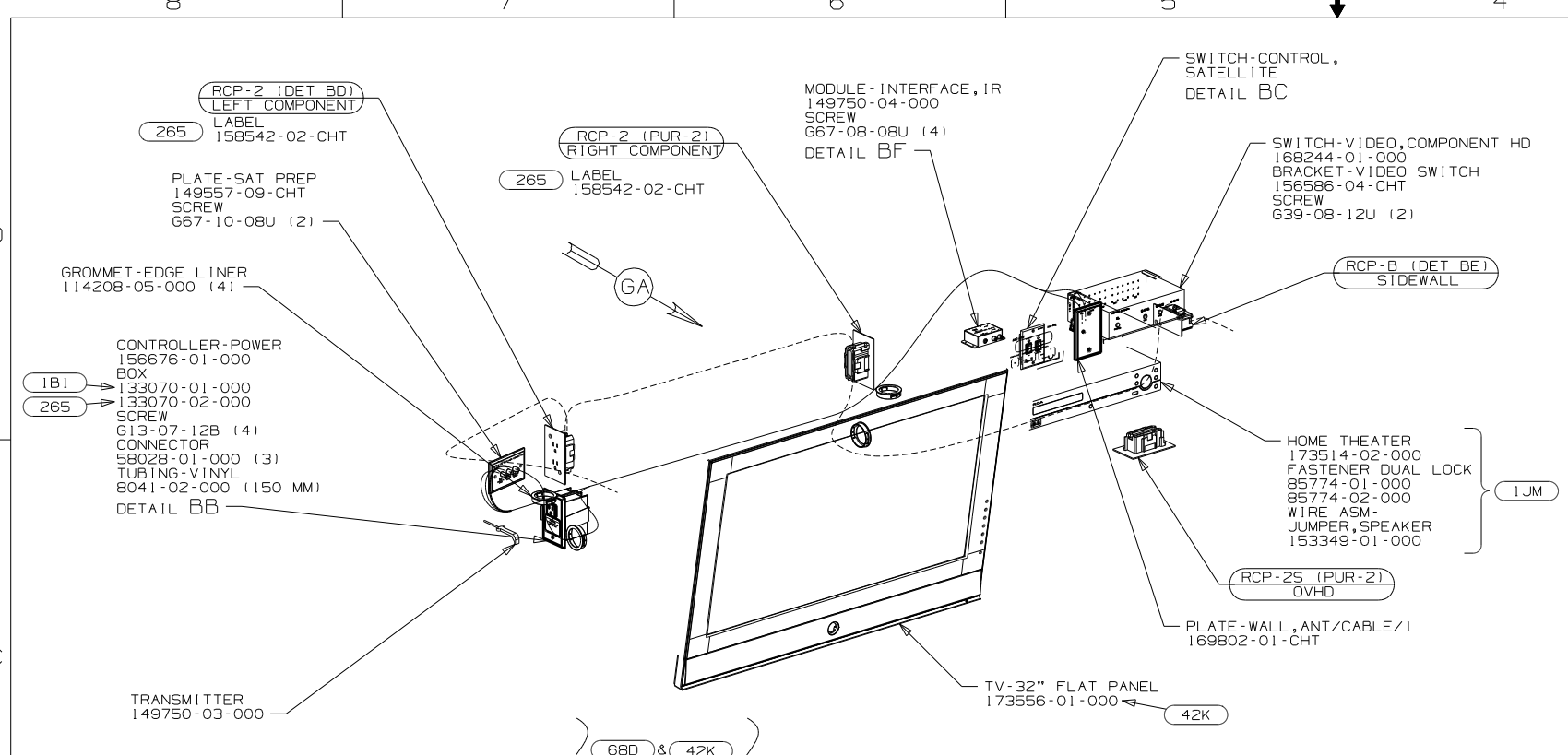
DFTR	ORIG. DATE
CHKR	ALL DIMENSIONS ARE IN MILLIMETERS
P.E.	
M.E.	FIRST USED
DSNR	10 J-SERIES
UNSPECIFIED TOLERANCES ARE:	MATERIAL:
HOLE DIM (X) : 3	
ONE-PLACE (X.X) : 1.5	
TWO-PLACE (X.XX) : 0.50	
ANGLE : 1°	
THIRD ANGLE PROJECTION	

DO NOT SCALE DRAWING

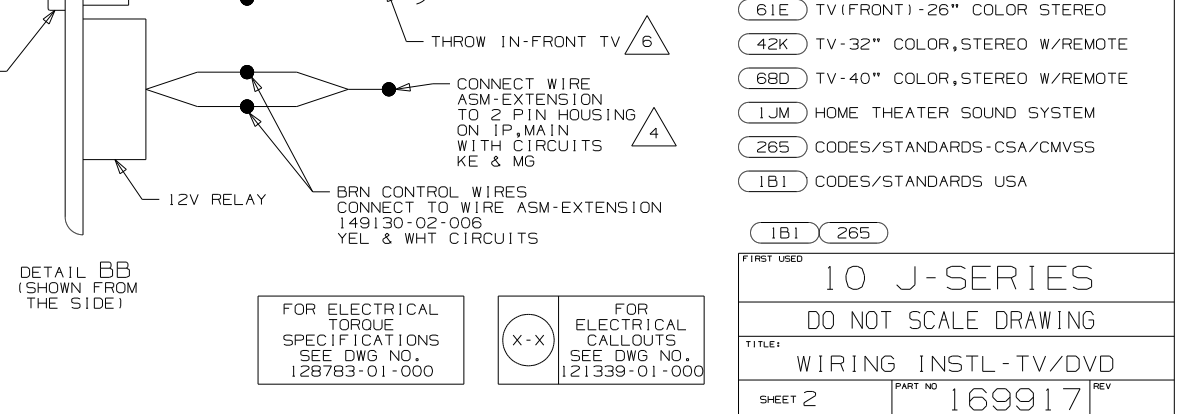
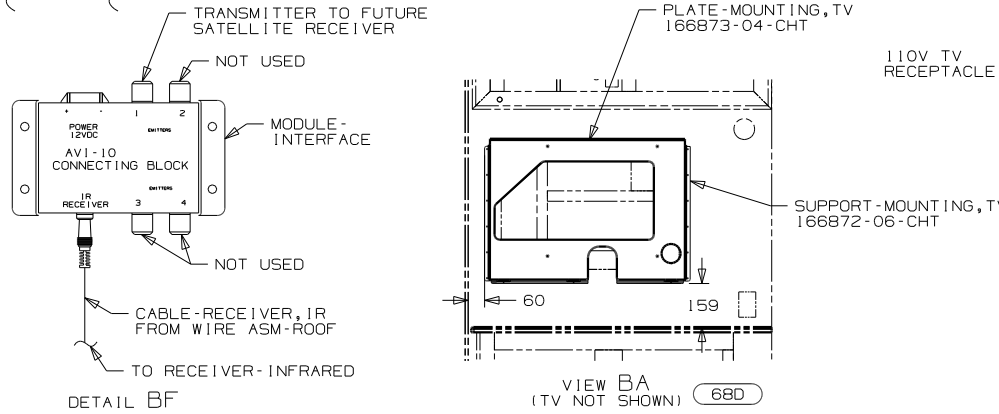
TITLE: WIRING INSTL-TV/DVD

SHEET 1 of 12 PART NO 169917 REV

REF: 1/3/15/2010



- NOTES:
- 7 PARTS ARE SUPPLIED WITH SATELLITE KIT 154474-02-000.
 - 6 SEE LOAD CENTER/ATS ASM FOR ADDITIONAL INFORMATION.
 - 5 SEE ROOF ASM FOR ADDITIONAL INFORMATION.
 - 4 ROUTE 110V AND 12V WIRES IN OPPOSITE ENDS OF ELECTRICAL BOX.
 - 3. WHERE WIRES PASS THROUGH HOLES IN STEEL AND NOT OTHERWISE PROTECTED, USE GROMMET 92908-02-000.
 - 2. ALL WIRES TO BE SECURED WITH CLAMP 10495-01-000 OR CLIP 80734-01-000 EVERY 600MM. USE SCREW 667-10-12B UNLESS OTHERWISE SPECIFIED.
 - 1. 110V WIRE TO BE CLAMPED WITH CLAMP 10497-05-000 WITHIN 200MM OF OUTLET BOXES, USE SCREW 667-10-12B.

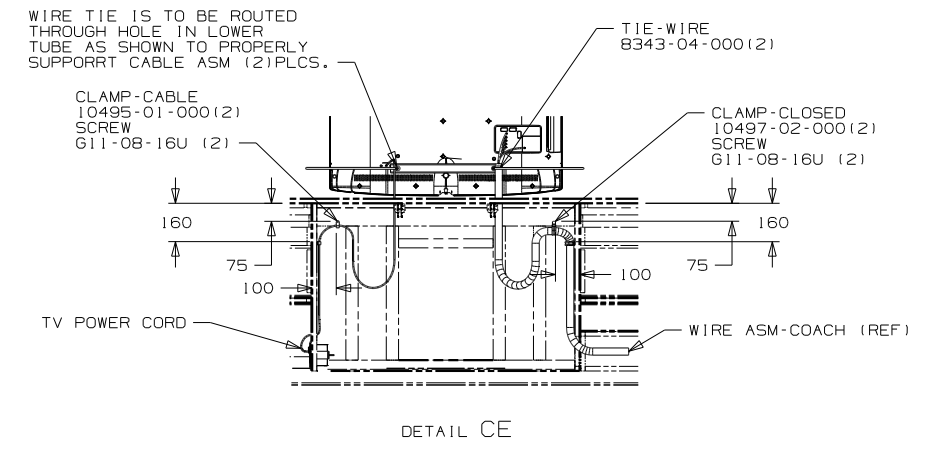
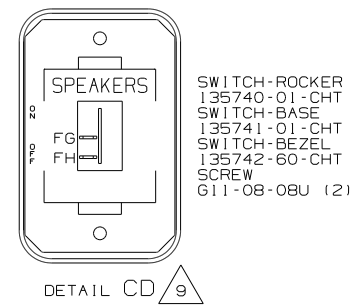
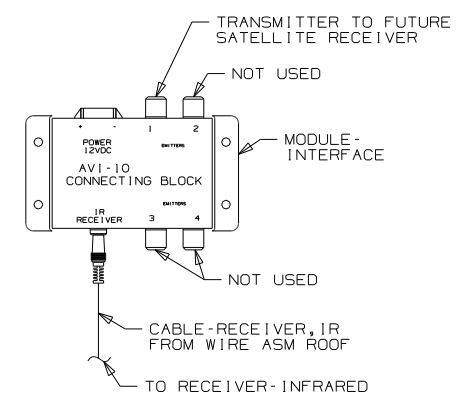
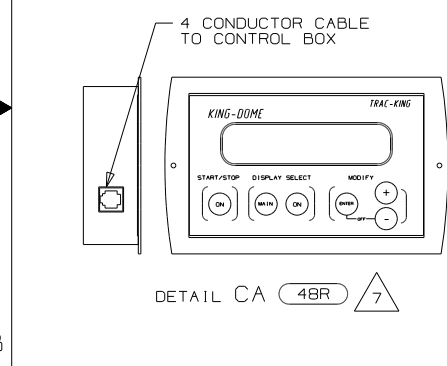
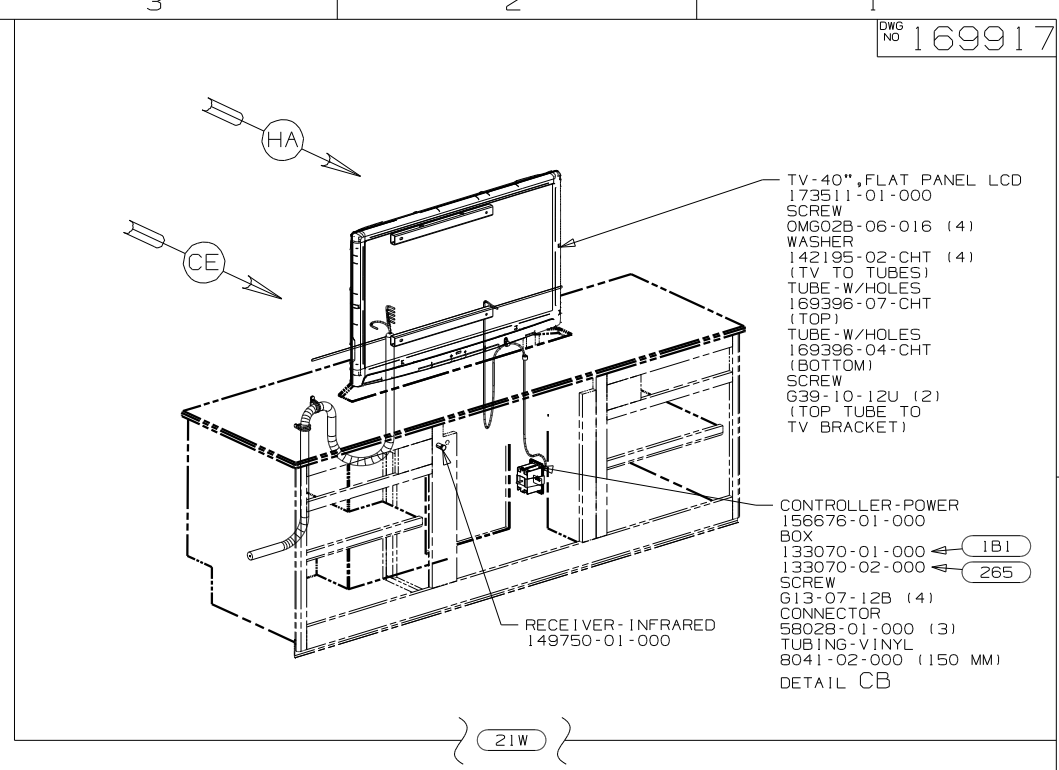
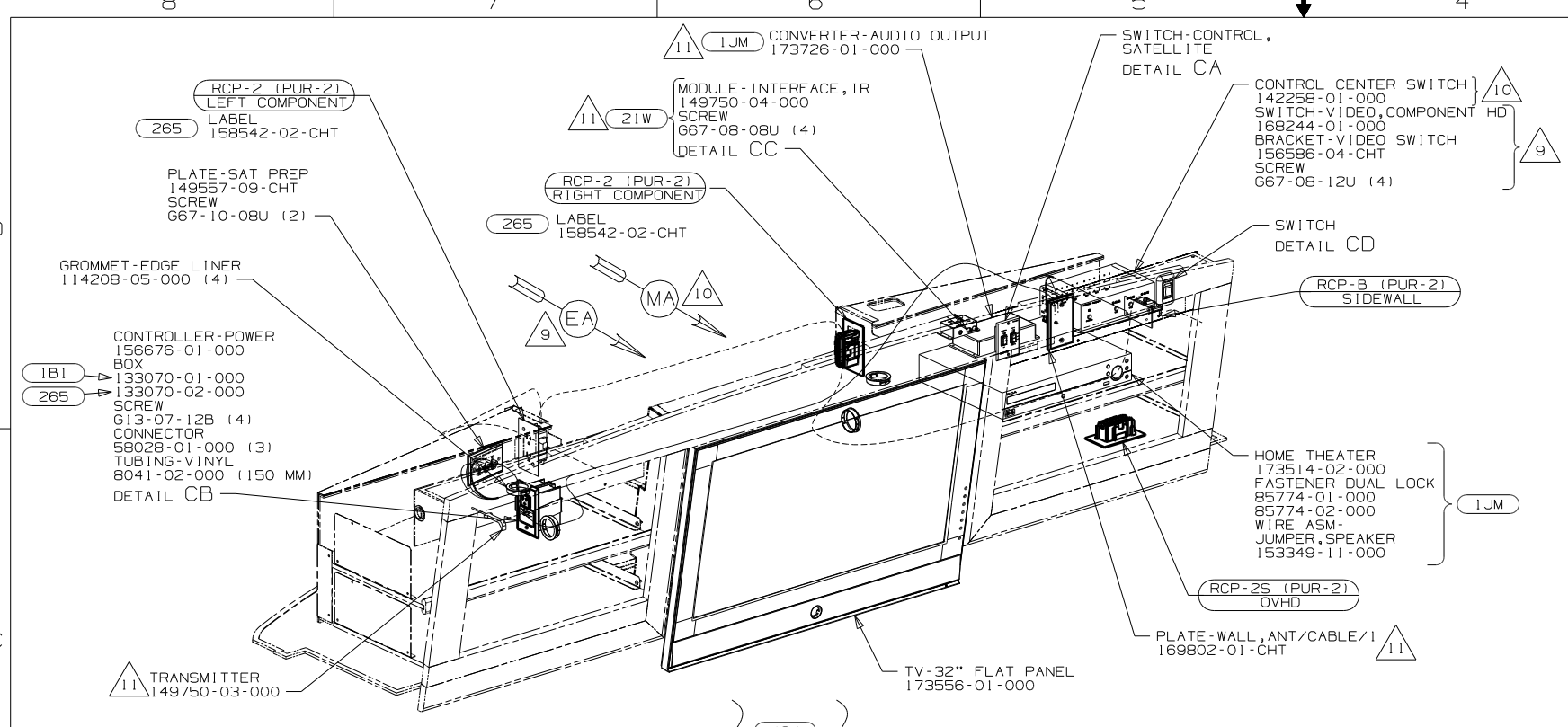


FOR ELECTRICAL TORQUE SPECIFICATIONS SEE DWG NO. 128783-01-000

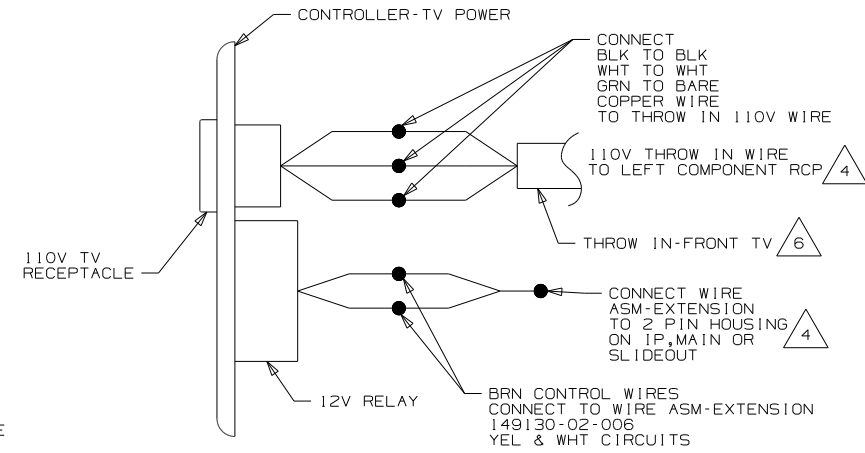
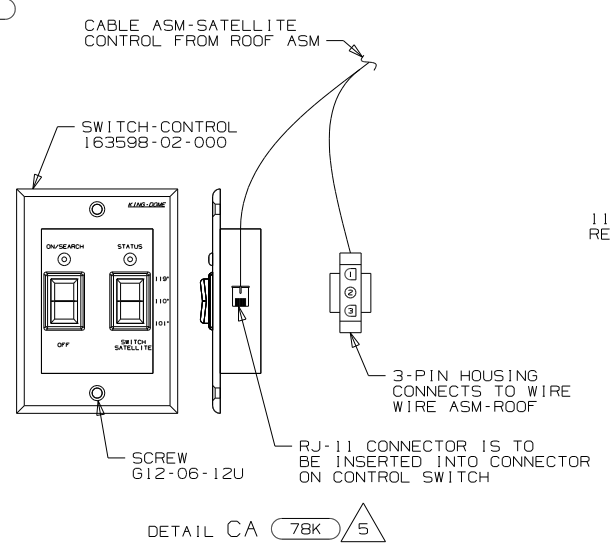
FOR ELECTRICAL CALLOUTS SEE DWG NO. 121339-01-000

- 78K SATELLITE DISH-AUTOMATIC
- 48R SAT TV SYSTEM IN-MOTION
- 61E TV(FRONT)-26" COLOR STEREO
- 42K TV-32" COLOR, STEREO W/REMOTE
- 68D TV-40" COLOR, STEREO W/REMOTE
- 1JM HOME THEATER SOUND SYSTEM
- 265 CODES/STANDARDS-CSA/CMVSS
- 1B1 CODES/STANDARDS USA

FIRST USED	
10 J-SERIES	
DO NOT SCALE DRAWING	
TITLE: WIRING INSTL-TV/DVD	
SHEET 2	PART NO 169917 REV



- 11 NOT USED ON J33S OR J38S.
 - 10 USED ON J33S OR J38S ONLY.
 - 9 USED ON J37F ONLY.
 - 8 POSITION TRANSMITTER ON THE TOP OF THE DVD/VCR USING TIE-MOUNT 155366-01-000 AND TIE-WIRE 8343-01-000 180MM FROM THE RIGHT SIDE TO LINE UP WITH THE RECEIVER EYE.
 - 7 PARTS ARE SUPPLIED WITH SATELLITE KIT 154474-02-000.
 - 6 SEE LOAD CENTER/ATS ASM FOR ADDITIONAL INFORMATION.
 - 5 SEE ROOF ASM FOR ADDITIONAL INFORMATION.
 - 4 ROUTE 110V AND 12V WIRES IN OPPOSITE ENDS OF ELECTRICAL BOX.
3. WHERE WIRES PASS THROUGH HOLES IN STEEL AND NOT OTHERWISE PROTECTED, USE GROMMET 92908-02-000.
 2. ALL WIRES TO BE SECURED WITH CLAMP 10495-01-000 OR CLIP 80734-01-000 EVERY 600MM. USE SCREW 667-10-12B UNLESS OTHERWISE SPECIFIED.
 1. 110V WIRE TO BE CLAMPED WITH CLAMP 10497-05-000 WITHIN 200MM OF OUTLET BOXES, USE SCREW 667-10-12B.

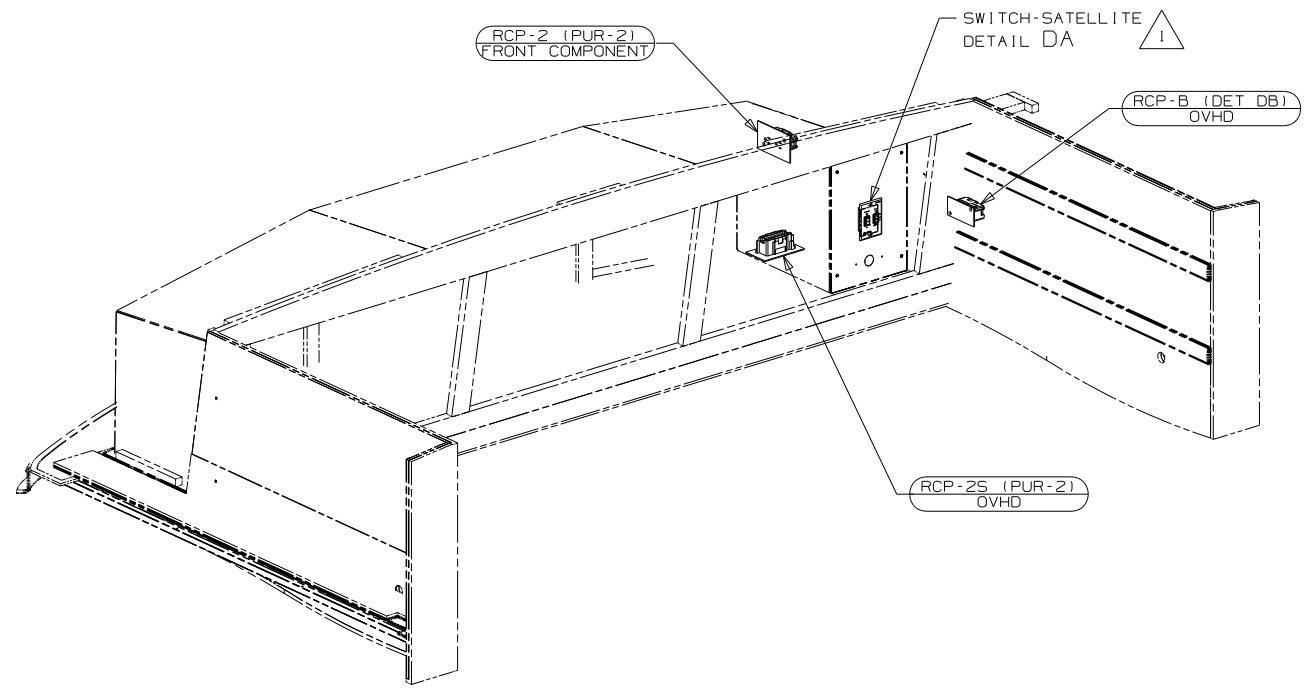


FOR ELECTRICAL TORQUE SPECIFICATIONS SEE DWG NO. 128783-01-000

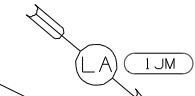
X-X FOR ELECTRICAL CALLOUTS SEE DWG NO. 121339-01-000

- 61E TV (FRONT) - 26" COLOR STEREO
- 42K TV-32" COLOR, STEREO W/REMOTE
- 48R SAT TV SYSTEM IN-MOTION
- 78K SATELLITE DISH-AUTOMATIC
- 1JM HOME THEATER SOUND SYSTEM
- 21W DINING/BUFFET/37" TV
- 265 CODES/STANDARDS-CSA/CMVSS
- 1B1 CODES/STANDARDS USA

FIRST USED	
10 J-SERIES	
DO NOT SCALE DRAWING	
TITLE: WIRING INSTL-TV/DVD	
SHEET 3	PART NO 169917 REV

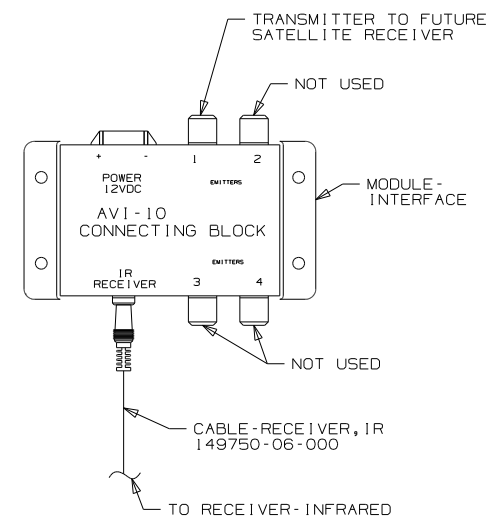
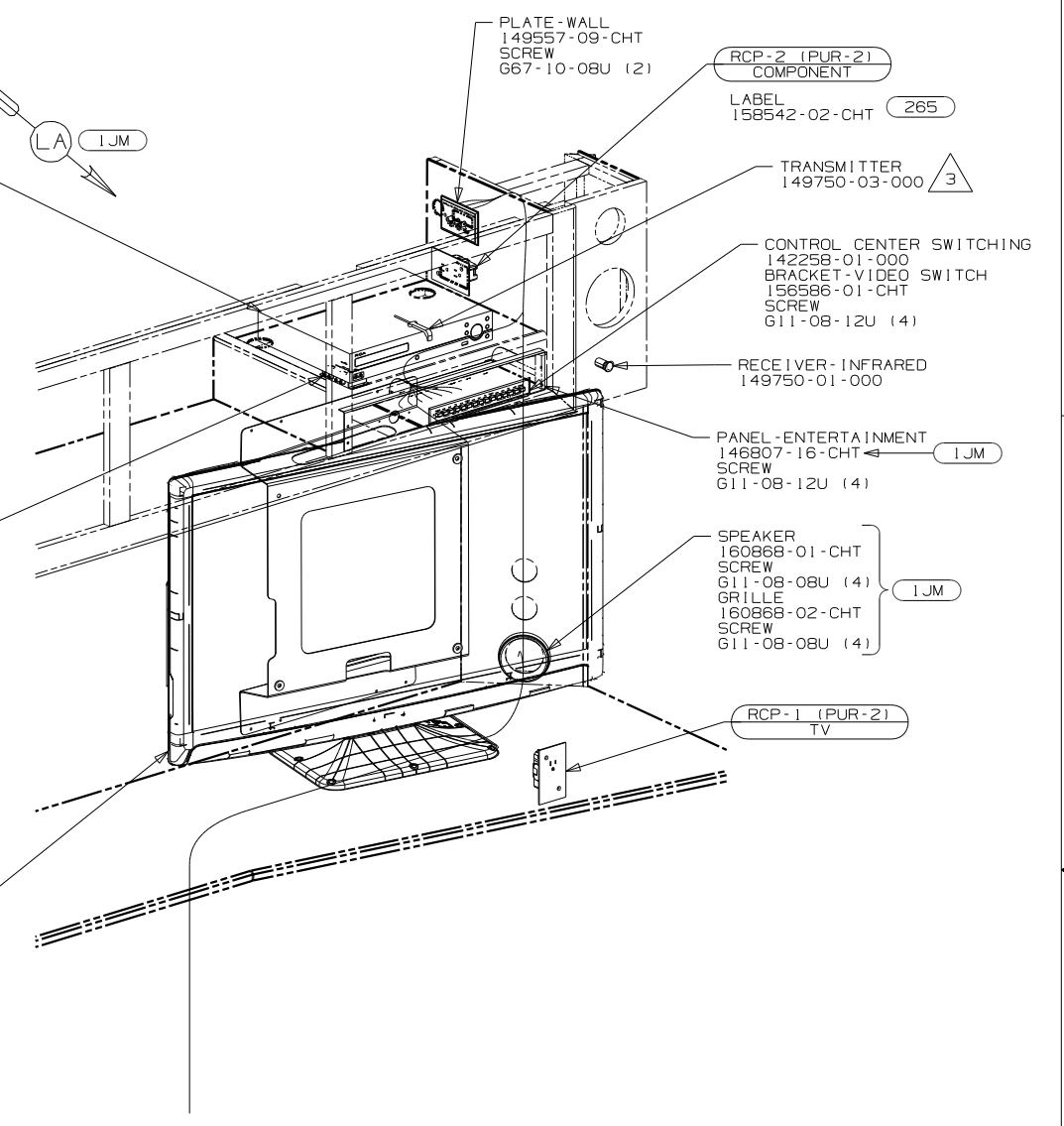


HOME THEATER SYSTEM
 173514-02-000
 WIRE ASM-JUMPER,SPEAKER
 153349-01-000
 FASTENER-DUAL LOCK
 85774-01-000
 85774-02-000

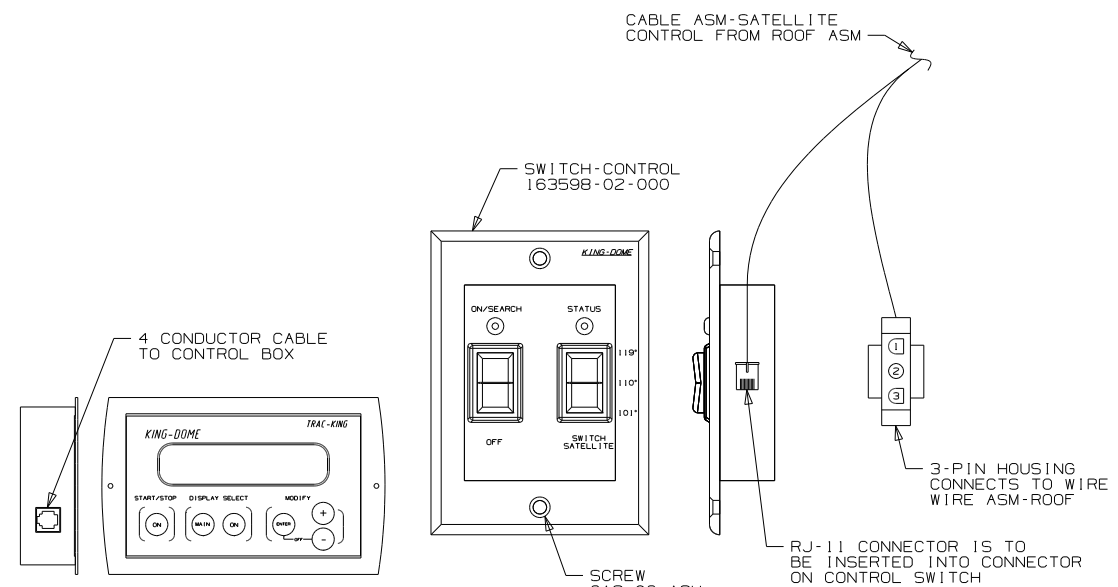
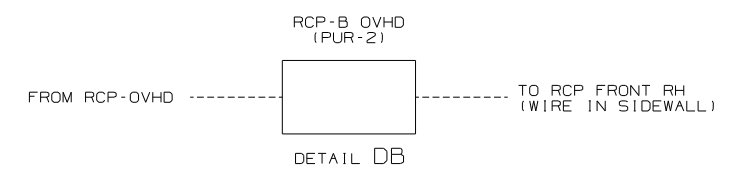


MODULE-INTERFACE,IR
 149750-04-000
 SCREW
 667-08-08U (4)
 CONNECTS TO 2 PIN HOUSING ON WIRE ASM-SIDE TV
 DETAIL DE

TV-40",FLAT PANEL LCD
 173511-01-000
 BRACKET-TV,40"
 164765-09-CHT
 SCREW
 639-08-12U (10)
 (BRACKET TO WALL)
 SCREW
 0M602B-06-016 (4)
 WASHER
 142195-02-CHT (4)
 (TV TO BRACKET)



DETAIL DE



DETAIL DA (48R) (2)

DETAIL DA (78K)

- NOTES:
- (3) POSITION TRANSMITTER ON THE TOP OF THE DVD/VCR USING TIE-MOUNT 155366-01-000 AND TIE-WIRE 8343-01-000 180MM FROM THE RIGHT SIDE TO LINE UP WITH THE RECEIVER EYE.
 - (2) PARTS ARE SUPPLIED WITH SATELLITE KIT 154474-02-000.
 - (1) SEE ROOF ASM FOR ADDITIONAL INFORMATION.

- (480) SATELLITE TV SYSTEM MANUAL
- (48R) SAT TV SYSTEM IN-MOTION
- (68D) TV-40" COLOR,STEREO W/REMOTE
- (78K) SATELLITE DISH-AUTOMATIC
- (25F) DIGITAL VIDEO DISC PLAYER
- (IJM) HOME THEATER SOUND SYSTEM
- (IJF) HOME THEATER SYS-WITHOUT
- (79H) ENTERTAINMENT CTR-INTERIOR
- (265) CODES/STANDARDS-CSA/CMVSS
- (1B1) CODES/STANDARDS USA

FOR ELECTRICAL TORQUE SPECIFICATIONS SEE DWG NO. 128783-01-000

FOR ELECTRICAL CALLOUTS SEE DWG NO. 121339-01-000

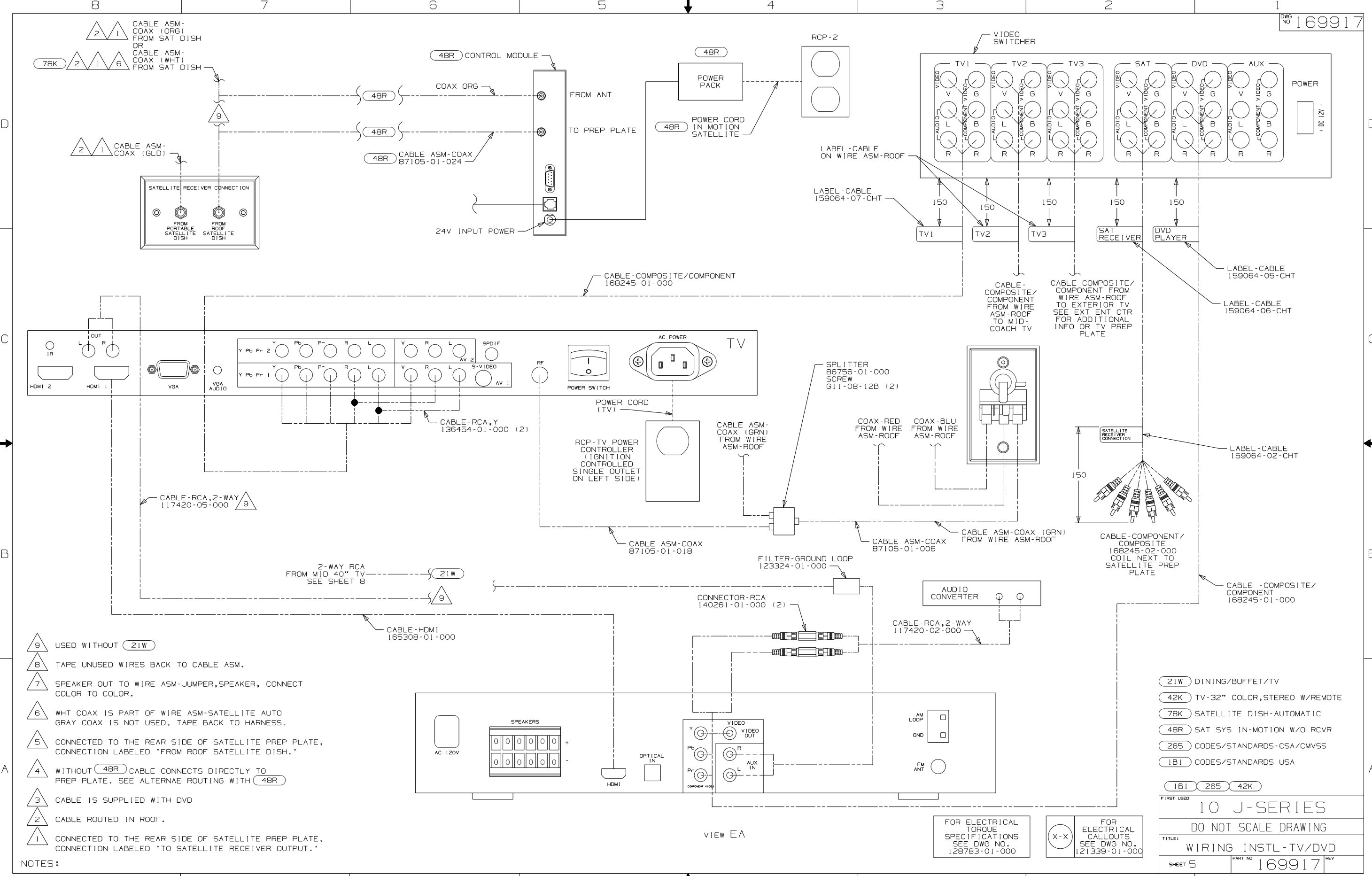
FIRST USED

10 J-SERIES

DO NOT SCALE DRAWING

TITLE: WIRING INSTL-TV/DVD

SHEET 4 PART NO 169917 REV



- NOTES:
- 9 USED WITHOUT (21W)
 - 8 TAPE UNUSED WIRES BACK TO CABLE ASM.
 - 7 SPEAKER OUT TO WIRE ASM-JUMPER, SPEAKER, CONNECT COLOR TO COLOR.
 - 6 WHT COAX IS PART OF WIRE ASM-SATELLITE AUTO GRAY COAX IS NOT USED, TAPE BACK TO HARNESS.
 - 5 CONNECTED TO THE REAR SIDE OF SATELLITE PREP PLATE, CONNECTION LABELED 'FROM ROOF SATELLITE DISH.'
 - 4 WITHOUT (48R) CABLE CONNECTS DIRECTLY TO PREP PLATE. SEE ALTERNAE ROUTING WITH (48R)
 - 3 CABLE IS SUPPLIED WITH DVD
 - 2 CABLE ROUTED IN ROOF.
 - 1 CONNECTED TO THE REAR SIDE OF SATELLITE PREP PLATE, CONNECTION LABELED 'TO SATELLITE RECEIVER OUTPUT.'

- (21W) DINING/BUFFET/TV
- (42K) TV-32" COLOR, STEREO W/REMOTE
- (78K) SATELLITE DISH-AUTOMATIC
- (48R) SAT SYS IN-MOTION W/O RCVR
- (265) CODES/STANDARDS-CSA/CMVSS
- (1B1) CODES/STANDARDS USA

FOR ELECTRICAL TORQUE SPECIFICATIONS SEE DWG NO. 128783-01-000

FOR ELECTRICAL CALLOUTS SEE DWG NO. 121339-01-000

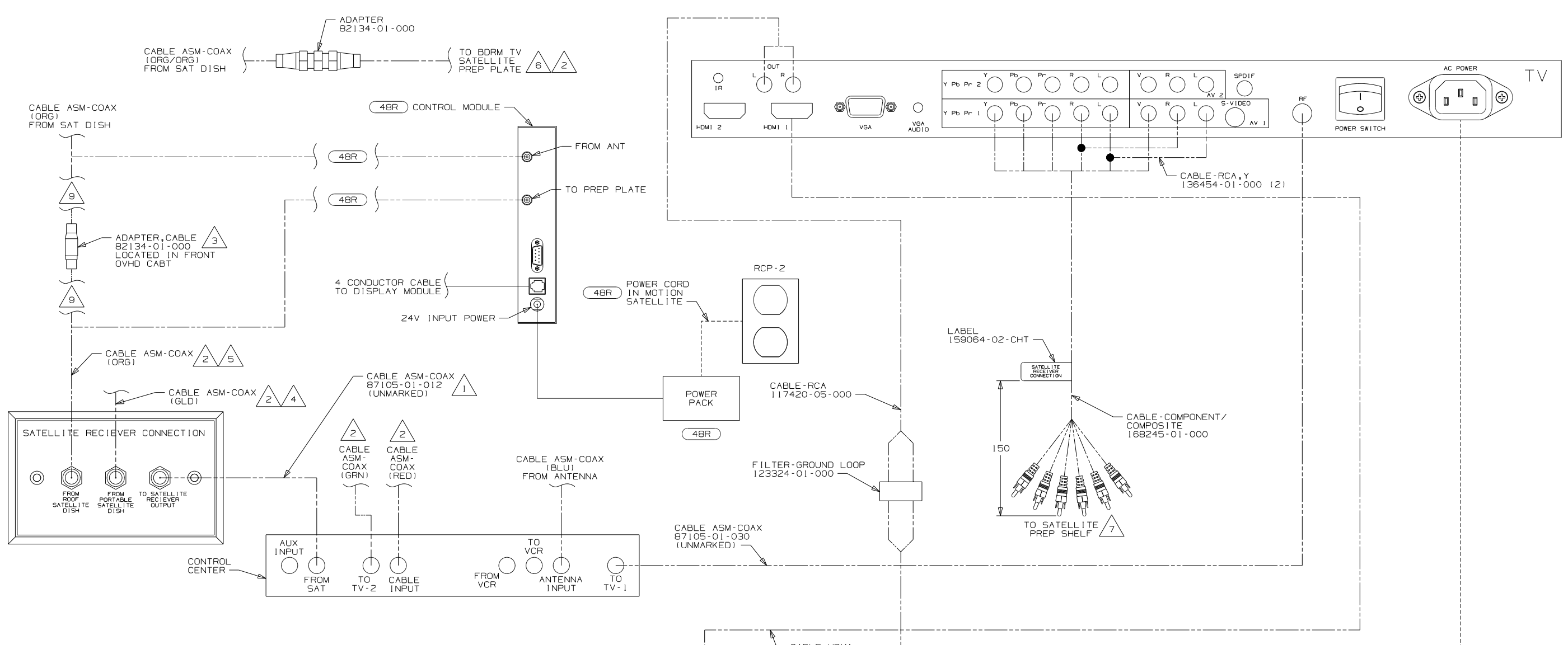
FIRST USED

10 J-SERIES

DO NOT SCALE DRAWING

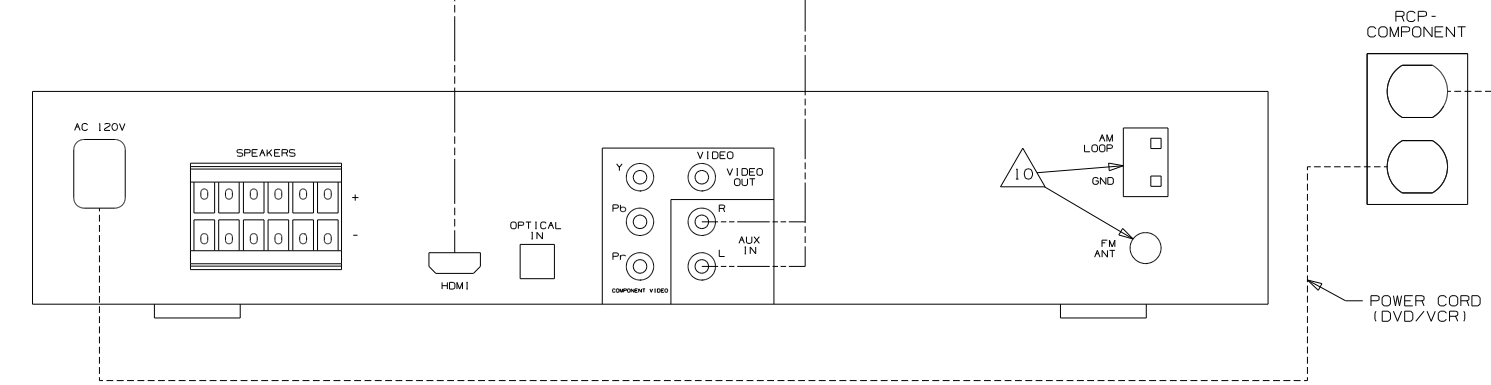
TITLE: WIRING INSTL-TV/DVD

SHEET 5 PART NO 169917 REV



- 10 CONNECT ANTENNA CABLES TO DVD PLAYER AND MOUNT ANTENNAS AS HIGH AS POSSIBLE.
- 9 WITH 48R COAX CABLES ARE CONNECTED TO THE SATELLITE CONTROL MODULE AS SHOWN BYPASSING THE ADAPTER, CABLE.
- 8 CABLE IS SUPPLIED WITH HOME THEATER RECEIVER.
- 7 ROUTE CABLE TO LEFT OVHD CABINET AND COIL EXCESS NEXT TO SATELLITE PREP PLATE.
- 6 SEE WIRING INSTL-BODY, 12V FOR ADDITIONAL INFORMATION
- 5 CONNECTED TO THE REAR SIDE OF SATELLITE PREP PLATE, CONNECTION LABELED 'FROM ROOF SATELLITE DISH.'
- 4 CONNECTED TO THE REAR SIDE OF SATELLITE PREP PLATE, CONNECTION LABELED 'FROM PORTABLE SATELLITE DISH.'
- 3 NOT USED WITH 48R
- 2 CABLE ROUTED IN ROOF OR THROUGH WIRE ASM-COACH.
- 1 CONNECTED TO THE REAR SIDE OF SATELLITE PREP PLATE, CONNECTION LABELED 'TO SATELLITE RECEIVER OUTPUT.'

NOTES:



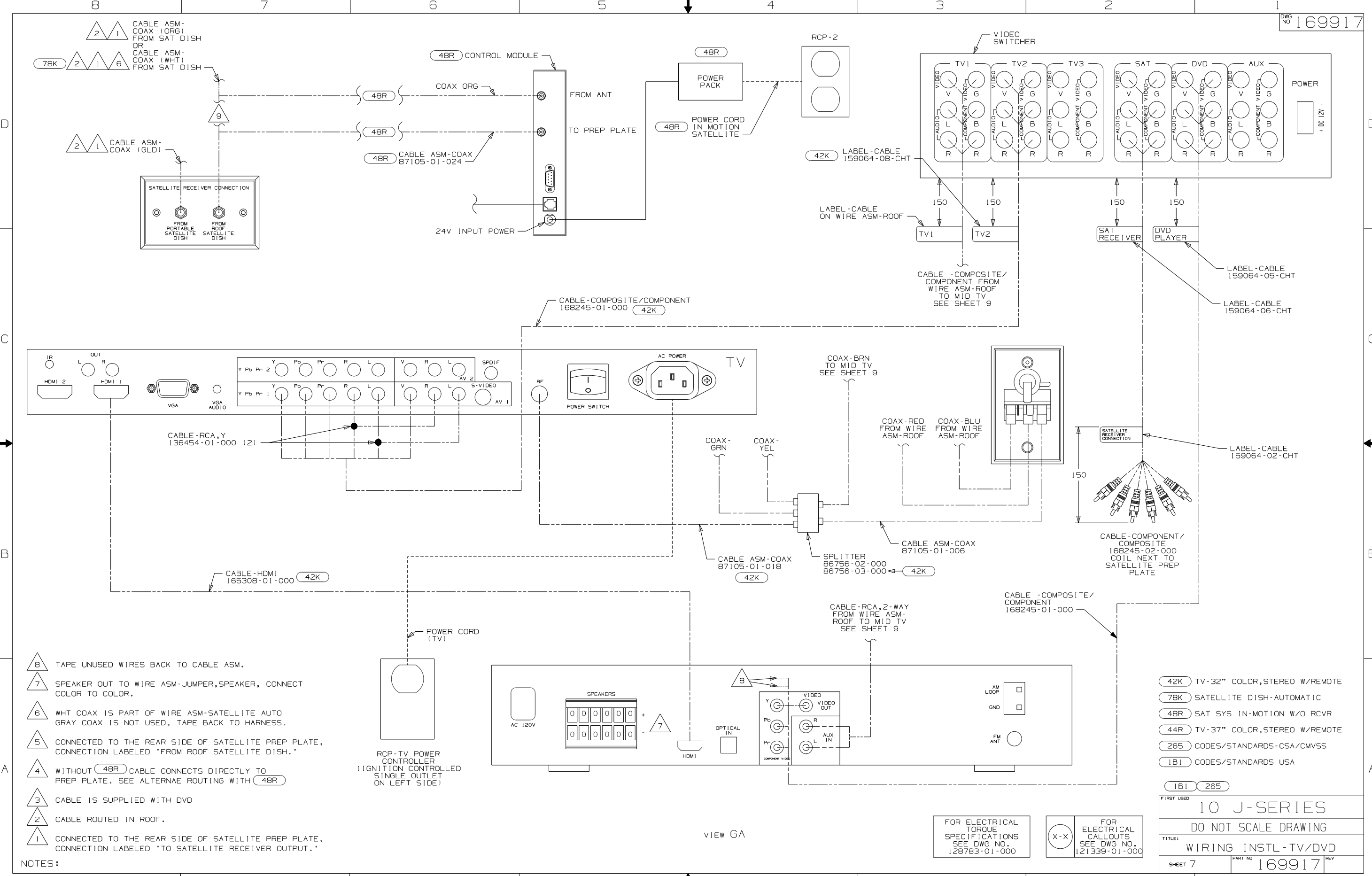
DETAIL FA

FOR ELECTRICAL TORQUE SPECIFICATIONS SEE DWG NO. 128783-01-000

X-X FOR ELECTRICAL CALLOUTS SEE DWG NO. 121339-01-000

- 78K SATELLITE DISH-AUTOMATIC
- 48R SAT SYS IN-MOTION W/O RCVR
- 1JM HOME THEATER SOUND SYSTEM
- 265 CODES/STANDARDS-CSA/CMVSS
- 1B1 CODES/STANDARDS USA

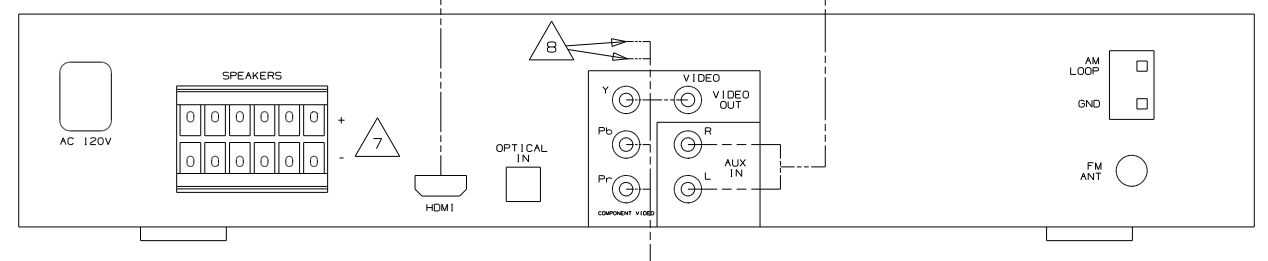
FIRST USED	
10 J-SERIES	
DO NOT SCALE DRAWING	
TITLE: WIRING INSTL-TV/DVD	
SHEET 6	PART NO 169917 REV



- 8 TAPE UNUSED WIRES BACK TO CABLE ASM.
- 7 SPEAKER OUT TO WIRE ASM-JUMPER, SPEAKER, CONNECT COLOR TO COLOR.
- 6 WHT COAX IS PART OF WIRE ASM-SATELLITE AUTO GRAY COAX IS NOT USED, TAPE BACK TO HARNESS.
- 5 CONNECTED TO THE REAR SIDE OF SATELLITE PREP PLATE, CONNECTION LABELED 'FROM ROOF SATELLITE DISH.'
- 4 WITHOUT 48R CABLE CONNECTS DIRECTLY TO PREP PLATE. SEE ALTERNAE ROUTING WITH 48R
- 3 CABLE IS SUPPLIED WITH DVD
- 2 CABLE ROUTED IN ROOF.
- 1 CONNECTED TO THE REAR SIDE OF SATELLITE PREP PLATE, CONNECTION LABELED 'TO SATELLITE RECEIVER OUTPUT.'

NOTES:

RCP-TV POWER CONTROLLER (IGNITION CONTROLLED SINGLE OUTLET ON LEFT SIDE)



VIEW GA

FOR ELECTRICAL TORQUE SPECIFICATIONS SEE DWG NO. 128783-01-000

FOR ELECTRICAL CALLOUTS SEE DWG NO. 121339-01-000

- 42K TV-32" COLOR, STEREO W/REMOTE
- 78K SATELLITE DISH-AUTOMATIC
- 48R SAT SYS IN-MOTION W/O RCVR
- 44R TV-37" COLOR, STEREO W/REMOTE
- 265 CODES/STANDARDS-CSA/CMVSS
- 1B1 CODES/STANDARDS USA

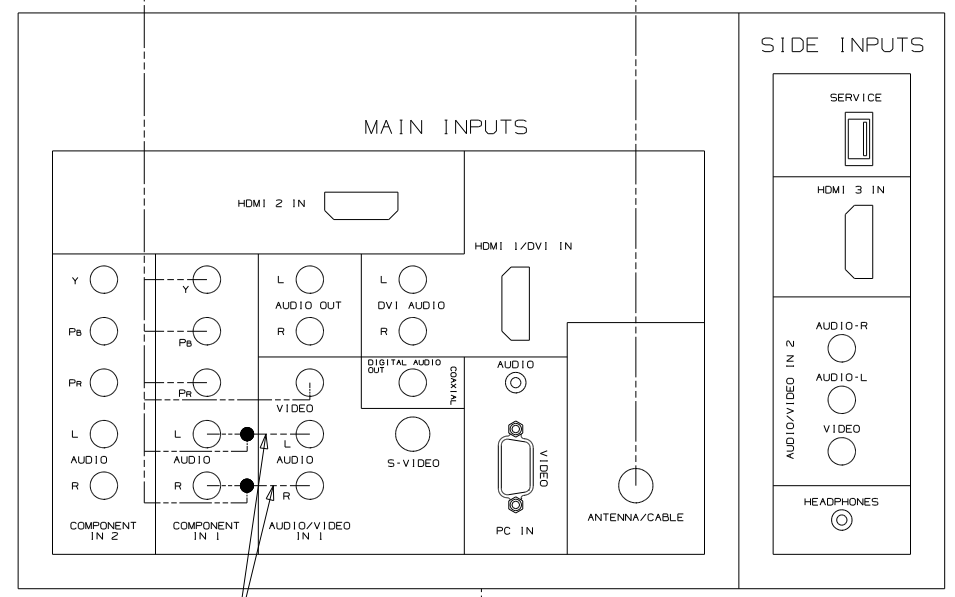
FIRST USED	
10 J-SERIES	
DO NOT SCALE DRAWING	
TITLE: WIRING INSTL-TV/DVD	
SHEET 7	PART NO 169917 REV

CABLE ASM-COAX
(GRN/GRN/GRN)
FROM WIRE ASM-COACH

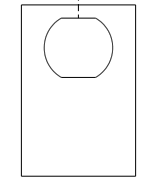
TO SPLITTER
SEE SHEET 5

TO SWITCH-
COMPONENT HD
SEE SHEET 5

CABLE-COMPOSITE/
COMPONENT FROM WIRE
ASM-ROOF & COACH



CABLE-RCA, Y
136454-01-000 (2)



RCP-TV POWER

NOTES:
1 CABLE ROUTED IN ROOF

VIEW HA

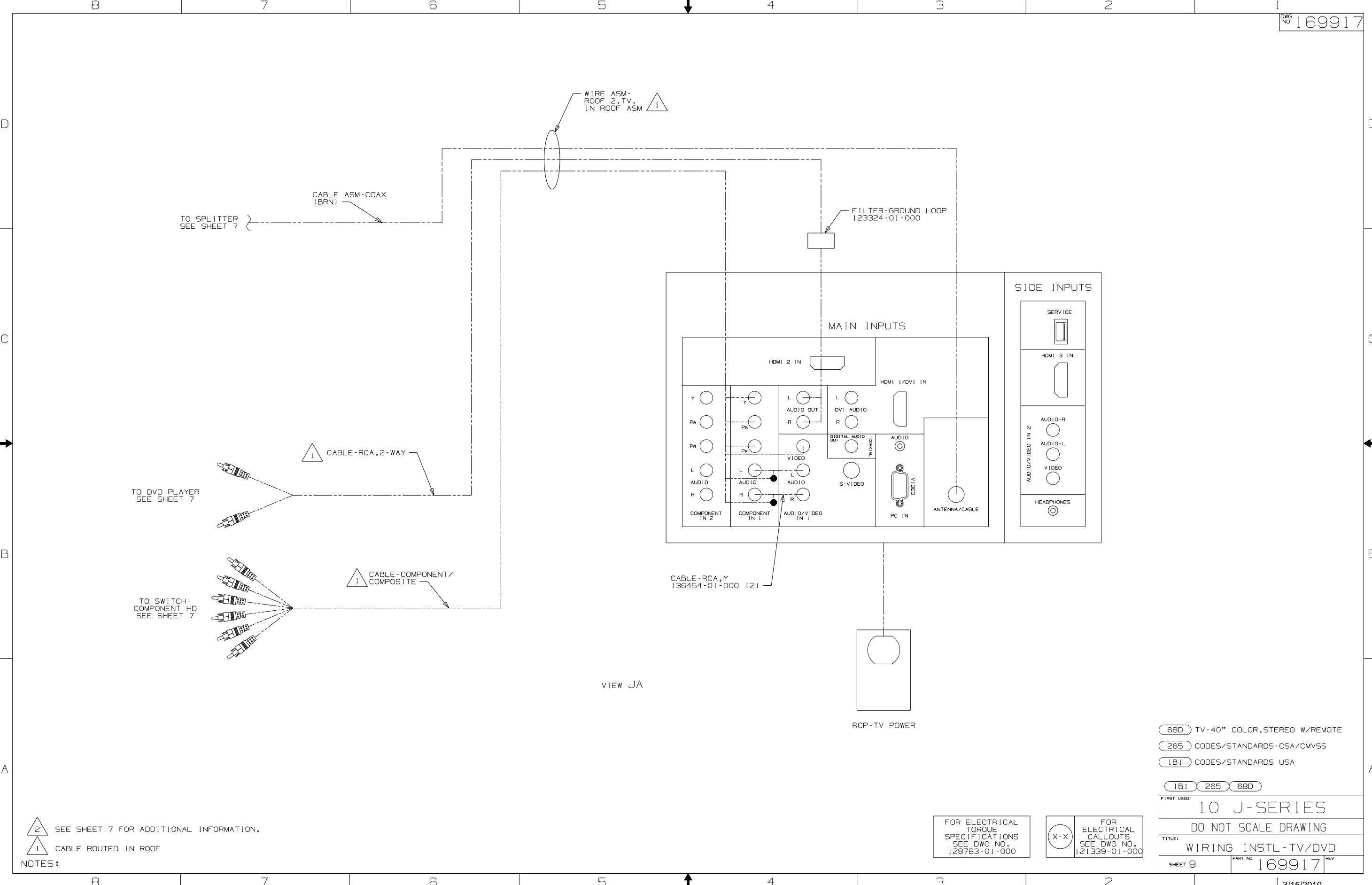
FOR ELECTRICAL
TORQUE
SPECIFICATIONS
SEE DWG NO.
128783-01-000

FOR
ELECTRICAL
CALLOUTS
SEE DWG NO.
121339-01-000

- 21W DINING/BUFFET/37" TV
- 68D TV-40" COLOR, STEREO W/REMOTE
- 265 CODES/STANDARDS-CSA/CMVSS
- 1B1 CODES/STANDARDS USA

1B1 265 68D 21W

FIRST USED	
10 J-SERIES	
DO NOT SCALE DRAWING	
TITLE:	
WIRING INSTL-TV/DVD	
SHEET 8	PART NO 169917 REV



VIEW JA

2 SEE SHEET 7 FOR ADDITIONAL INFORMATION.
 1 CABLE ROUTED IN ROOF

NOTES:

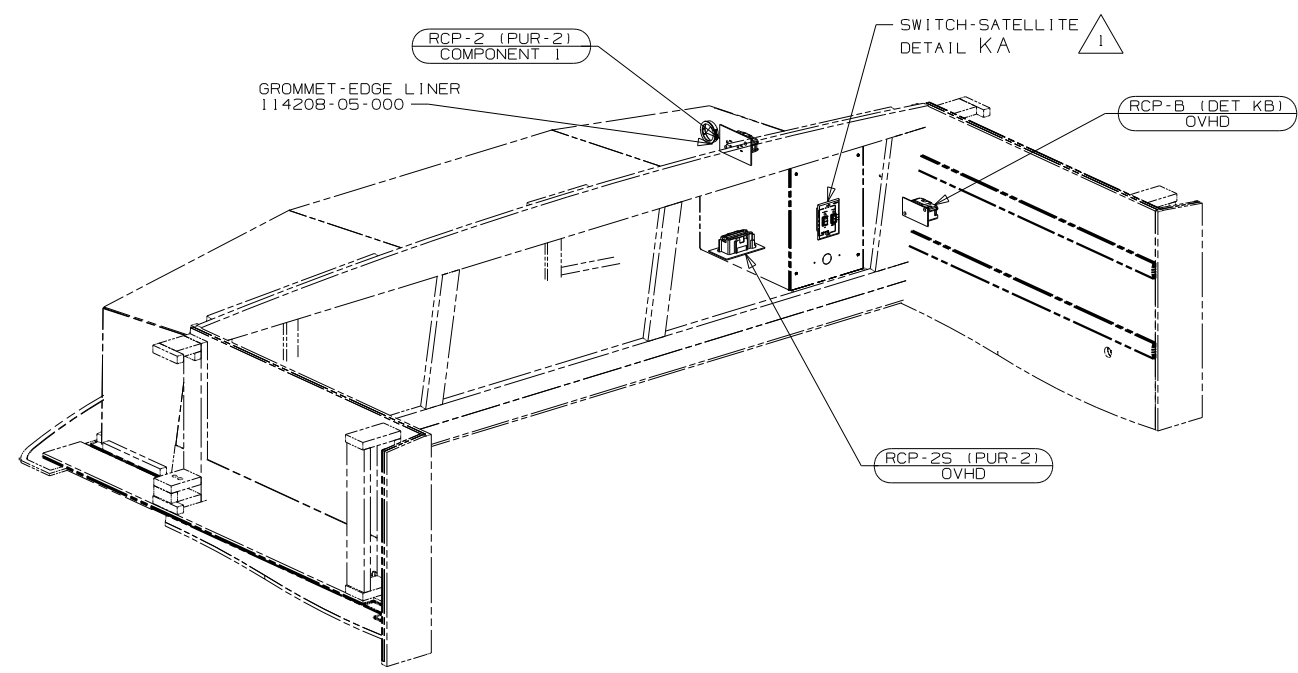
FOR ELECTRICAL TORQUE SPECIFICATIONS SEE DWG NO. 128783-01-000

X-X FOR ELECTRICAL CALLOUTS SEE DWG NO. 121339-01-000

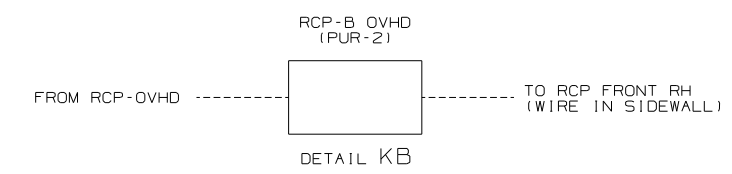
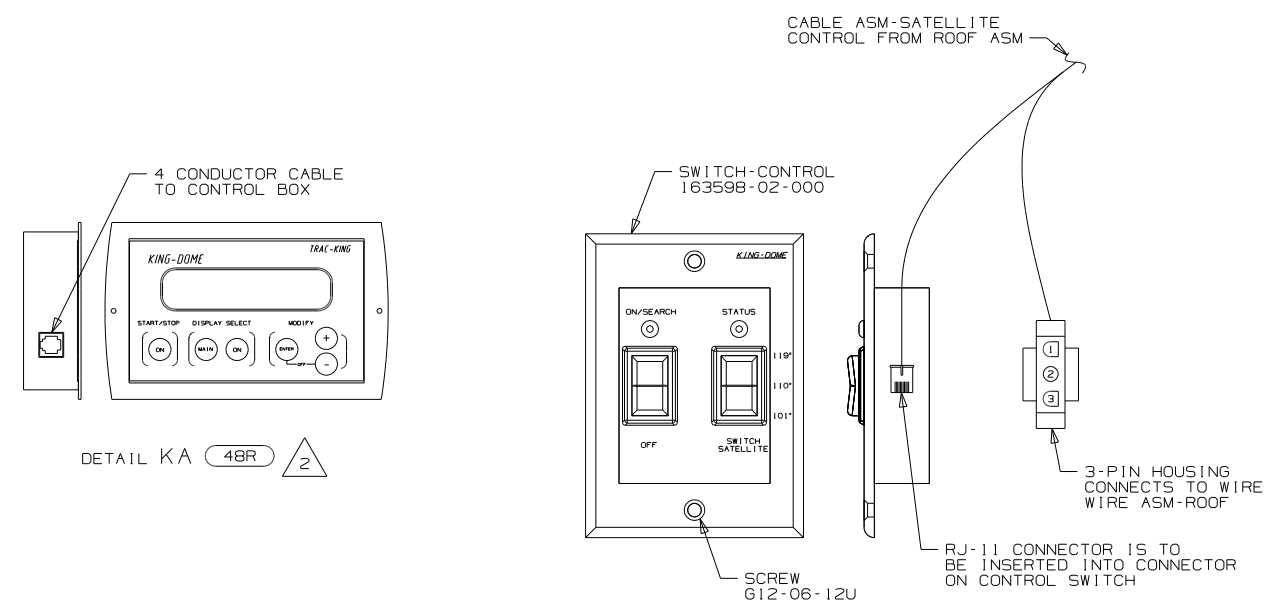
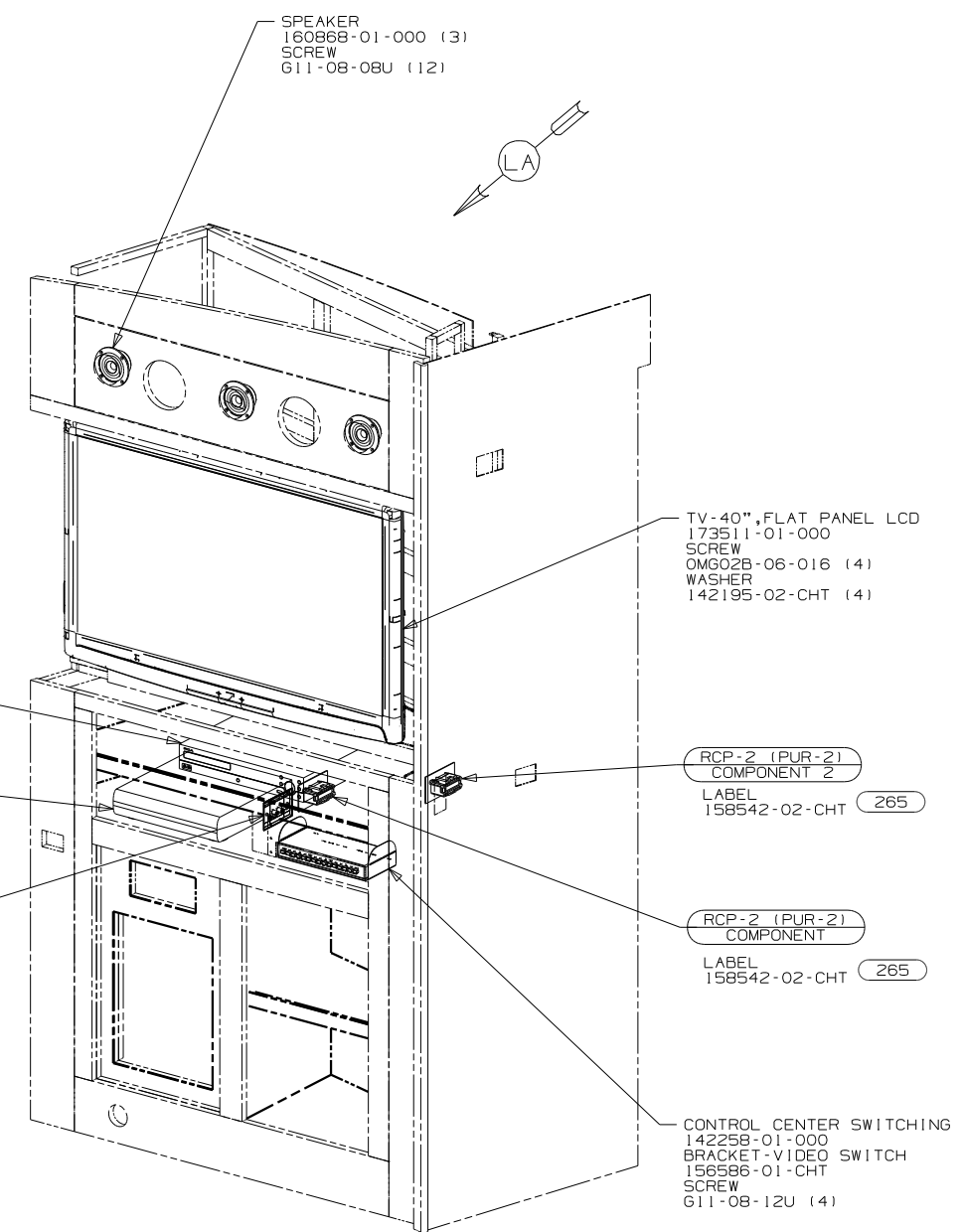
- 68D TV-40" COLOR, STEREO W/REMOTE
- 265 CODES/STANDARDS-CSA/CMVSS
- 1B1 CODES/STANDARDS USA

1B1 265 68D

FIRST USED	
10 J-SERIES	
DO NOT SCALE DRAWING	
TITLE: WIRING INSTL-TV/DVD	
SHEET 9	PART NO 169917 REV



HOME THEATER SYSTEM
 173514-02-000
 WIRE ASM-JUMPER,SPEAKER
 153349-01-000
 FASTENER-DUAL LOCK
 85774-01-000
 85774-02-000



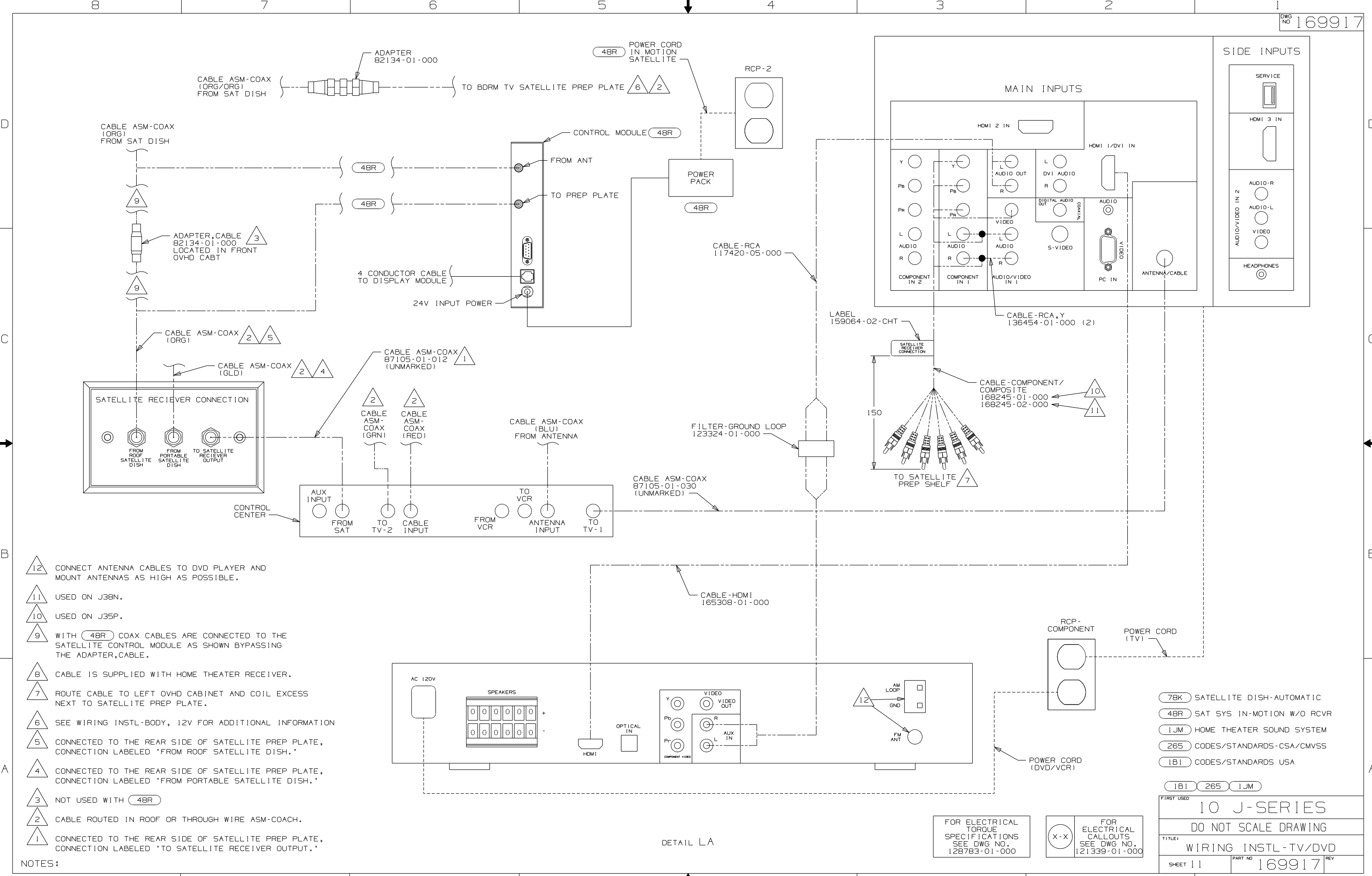
- (48R) SAT TV SYSTEM IN-MOTION
- (68D) TV-40" COLOR,STEREO W/REMOTE
- (78K) SATELLITE DISH-AUTOMATIC
- (79H) ENTERTAINMENT CTR-INTERIOR
- (265) CODES/STANDARDS-CSA/CMVSS
- (1B1) CODES/STANDARDS USA

NOTES:
 (2) PARTS SUPPLIED WITH SATELLITE KIT 154474-02-000.
 (1) SEE ROOF ASM FOR ADDITIONAL INFORMATION.

FOR ELECTRICAL TORQUE SPECIFICATIONS SEE DWG NO. 128783-01-000

(X-X) FOR ELECTRICAL CALLOUTS SEE DWG NO. 121339-01-000

FIRST USED	
10 J-SERIES	
DO NOT SCALE DRAWING	
TITLE: WIRING INSTL-TV/DVD	
SHEET 10	PART NO 169917 REV



- 12 CONNECT ANTENNA CABLES TO DVD PLAYER AND MOUNT ANTENNAS AS HIGH AS POSSIBLE.
- 11 USED ON J38N.
- 10 USED ON J35P.
- 9 WITH (48R) COAX CABLES ARE CONNECTED TO THE SATELLITE CONTROL MODULE AS SHOWN BYPASSING THE ADAPTER, CABLE.
- 8 CABLE IS SUPPLIED WITH HOME THEATER RECEIVER.
- 7 ROUTE CABLE TO LEFT OVHD CABINET AND COIL EXCESS NEXT TO SATELLITE PREP PLATE.
- 6 SEE WIRING INSTL-BODY, 12V FOR ADDITIONAL INFORMATION
- 5 CONNECTED TO THE REAR SIDE OF SATELLITE PREP PLATE, CONNECTION LABELED 'FROM ROOF SATELLITE DISH.'
- 4 CONNECTED TO THE REAR SIDE OF SATELLITE PREP PLATE, CONNECTION LABELED 'FROM PORTABLE SATELLITE DISH.'
- 3 NOT USED WITH (48R)
- 2 CABLE ROUTED IN ROOF OR THROUGH WIRE ASM-COACH.
- 1 CONNECTED TO THE REAR SIDE OF SATELLITE PREP PLATE, CONNECTION LABELED 'TO SATELLITE RECEIVER OUTPUT.'

NOTES:

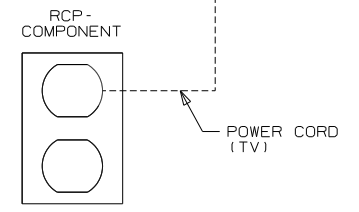
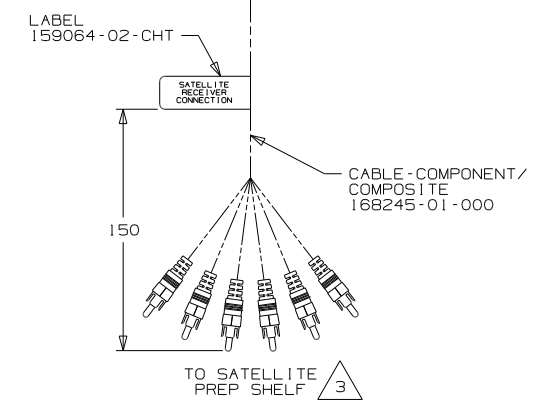
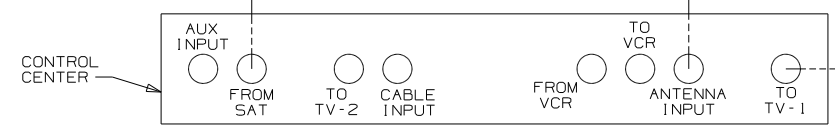
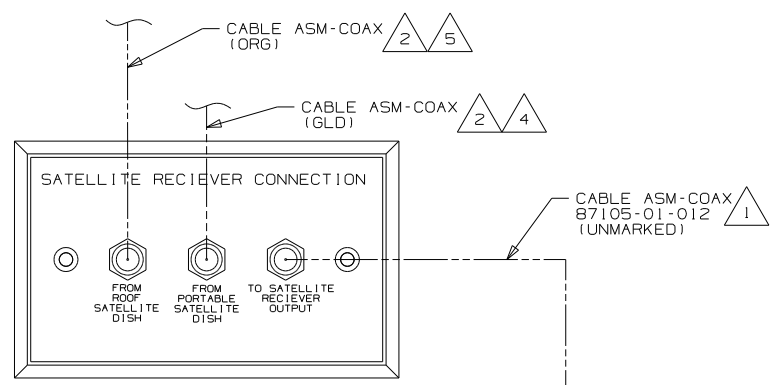
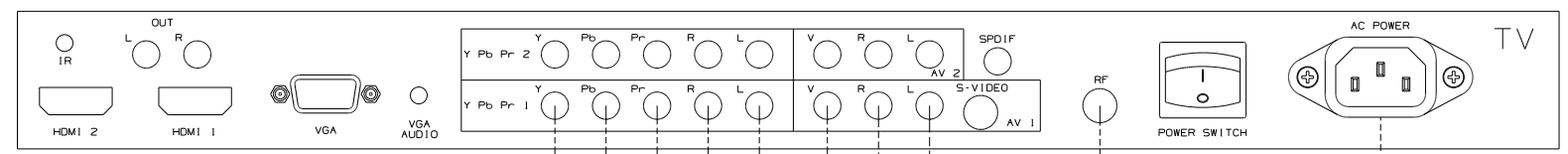
DETAIL LA

FOR ELECTRICAL TORQUE SPECIFICATIONS SEE DWG NO. 128783-01-000

FOR ELECTRICAL CALLOUTS SEE DWG NO. 121339-01-000

- (78K) SATELLITE DISH-AUTOMATIC
- (48R) SAT SYS IN-MOTION W/O RCVR
- (1JM) HOME THEATER SOUND SYSTEM
- (265) CODES/STANDARDS-CSA/CMVSS
- (1B1) CODES/STANDARDS USA

FIRST USED	
10 J-SERIES	
DO NOT SCALE DRAWING	
TITLE: WIRING INSTL-TV/DVD	
SHEET 11	PART NO 169917 REV



- 5 CONNECTED TO THE REAR SIDE OF SATELLITE PREP PLATE, CONNECTION LABELED 'FROM ROOF SATELLITE DISH.'
- 4 CONNECTED TO THE REAR SIDE OF SATELLITE PREP PLATE, CONNECTION LABELED 'FROM PORTABLE SATELLITE DISH.'
- 3 ROUTE CABLE TO LEFT OVHD CABINET AND COIL EXCESS NEXT TO SATELLITE PREP PLATE.
- 2 CABLE ROUTED IN ROOF OR THROUGH WIRE ASM-COACH.
- 1 CONNECTED TO THE REAR SIDE OF SATELLITE PREP PLATE, CONNECTION LABELED 'TO SATELLITE RECEIVER OUTPUT.'

NOTES:

DETAIL MA

FOR ELECTRICAL TORQUE SPECIFICATIONS SEE DWG NO. 128783-01-000

FOR ELECTRICAL CALLOUTS SEE DWG NO. 121339-01-000

265 CODES/STANDARDS - CSA/CMVSS

1B1 CODES/STANDARDS USA

1B1 265

FIRST USED	
10 J-SERIES	
DO NOT SCALE DRAWING	
TITLE: WIRING INSTL-TV/DVD	
SHEET 12	PART NO 169917 REV