

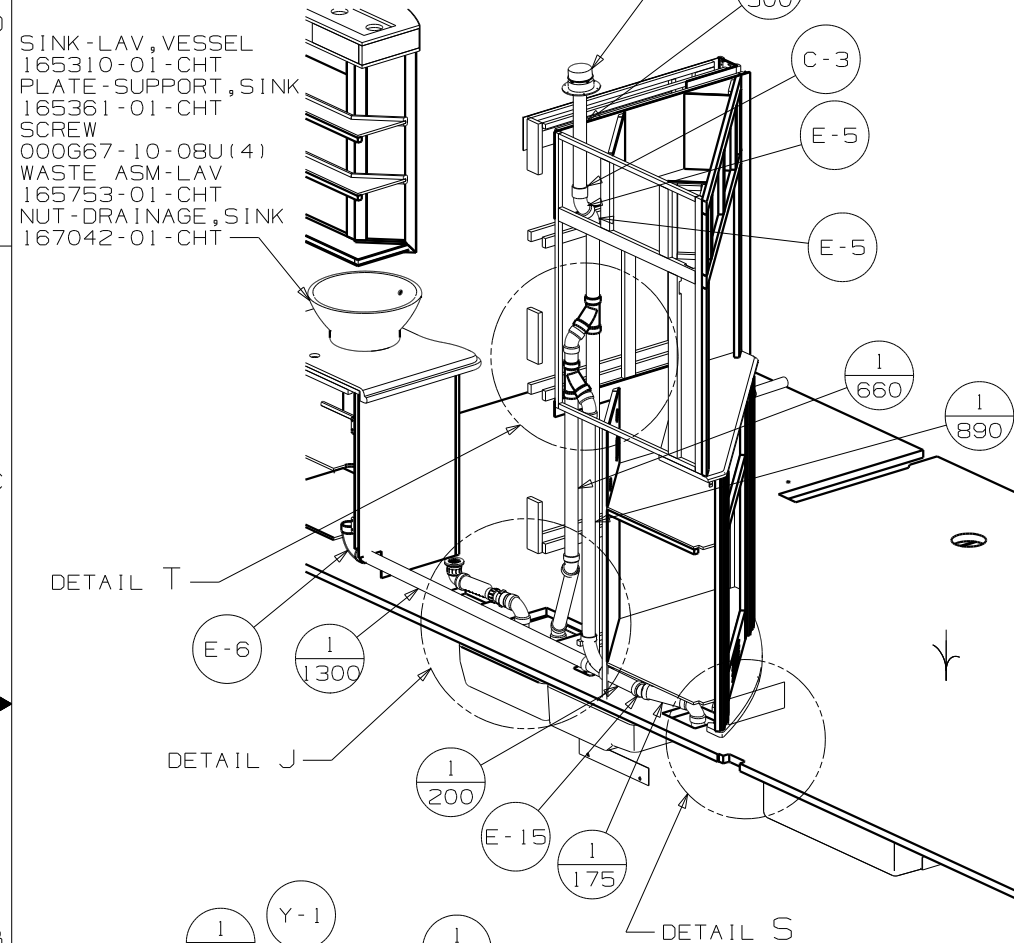
- (22A) BED-QUEEN SIDEWALL (POWERED)
- (22T) VACUUM CLEANER-CENTRAL
- (21S) WASHER/DRYER STACKED
- (1B1) CODES/STANDARDS USA
- (265) CODES/STDS-CSA, CMVSS
- (54E) WASHER DRYER
- (21M) WASHER/DRYER PREP
- (214) DISHWASHER DRAWER STYLE
- (215) DISHWASHER WITHOUT

- NOTES:
5. SEAL AROUND SHOWER WITH SILICONE.
  4. VENT PIPE MUST PROJECT 51 MIN AND 64 MAX ABOVE ROOF FOR PROPER FIT AND FUNCTION.
  3. ALL PIPE AND FITTINGS TO BE ASSEMBLED WITH SOLVENT 004020-01-000 (US), 004020-02-000 (CAN).
  2. SLOPE OF TRAP ARM MUST BE 6 PER 305 mm.
  1. SLOPE OF HORIZONTAL PIPING TO BE MIN 3 PER 305 mm.

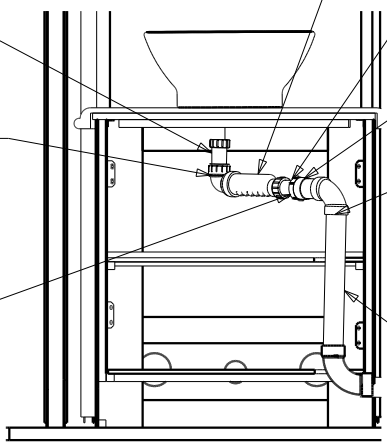
<b>WINNEBAGO</b>		COPYRIGHT 2010 WINNEBAGO INDUSTRIES, INC.	
DFTD	ORIG. DATE	ALL DIMENSIONS ARE IN MILLIMETERS	
CHKR		FIRST USED	
P.E.		10 R42AD	
M.E.		UNSPECIFIED TOLERANCES ARE:	
DSNR		WHOLE DIM (X.X) : 3	
		ONE-PLACE (X.X.X) : 1.5	
		TWO-PLACE (X.X.XX) : 0.50	
		ANGLE : 1°	
		THIRD ANGLE PROJECTION	
DO NOT SCALE DRAWING		REFER TO ES0018 FOR FASTENER TIGHTENING GUIDELINES	
TITLE: DRAINAGE SYSTEM INSTL			
SHEET 1 OF 4	PART NO	170338	REV
REF:	1/22/2010		

(X-X)  
FOR  
DRAINAGE  
CALLOUTS  
SEE DWG NO  
116229-01-000

- SINK-LAV, VESSEL  
165310-01-CHT
- PLATE-SUPPORT, SINK  
165361-01-CHT
- SCREW  
00067-10-08U(4)
- WASTE ASM-LAV  
165753-01-CHT
- NUT-DRAINAGE, SINK  
167042-01-CHT

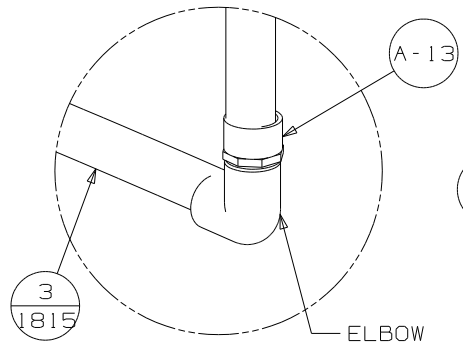


- ADAPTER-IN LINE  
165406-04-000
- ADAPTER-ANGLE  
165406-02-000

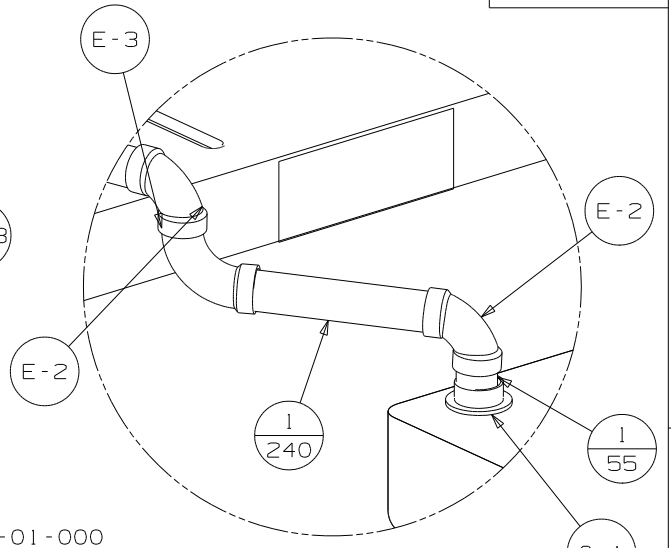


VIEW C  
(ROTATED)

- TRAP-WATERLESS  
165406-01-000
- PIPE-STAND  
130234-02-000

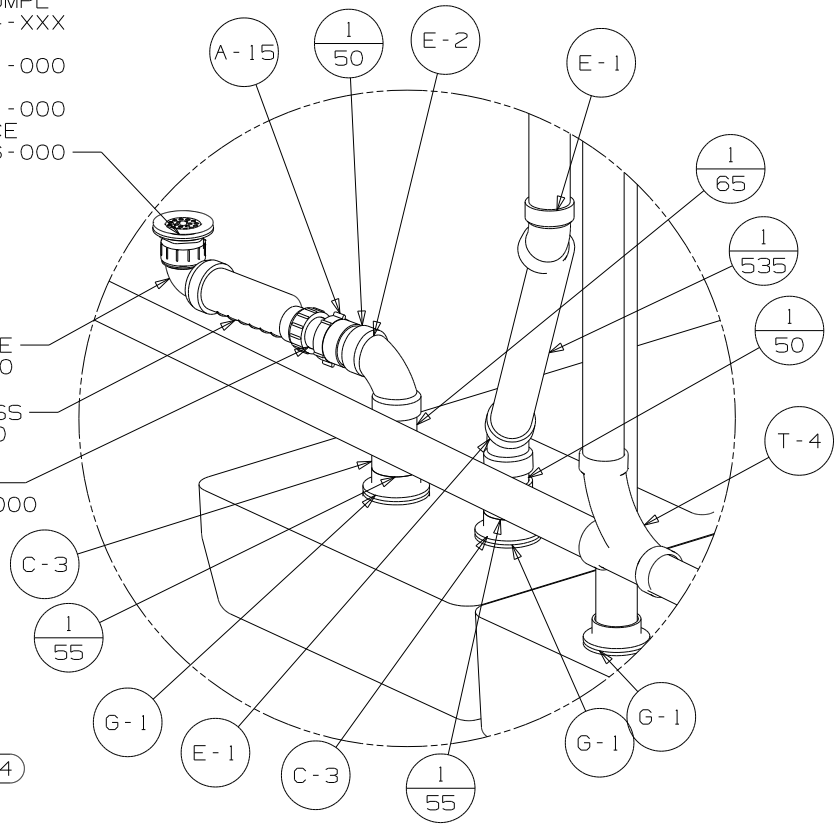


DETAIL R  
(SHOWN W/O CABINETS & FLOOR)



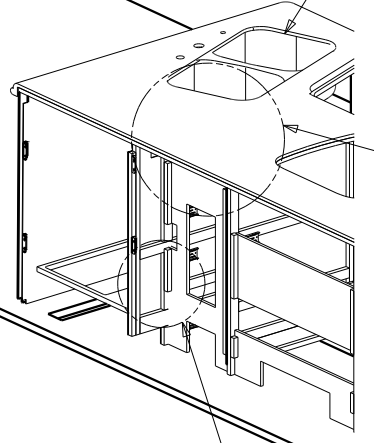
DETAIL S  
(SHOWN W/O CABINETS & FLOOR)

- SHOWER COMPL  
142018-14-XXX
- STRAINER  
066440-01-000
- NUT  
130403-01-000
- TAIL PIECE  
011069-06-000

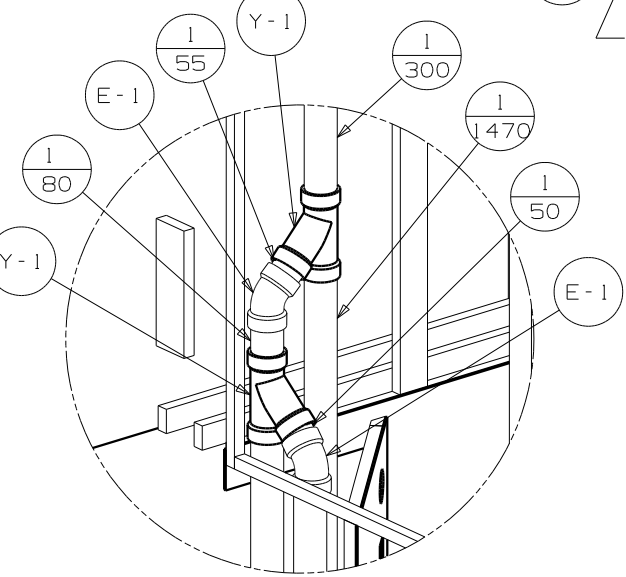


DETAIL E  
(SHOWN W/O CABINETS & FLOOR)

- SINK-GALLEY  
173783-01-CHT
- STRAINER  
092303-01-000 (2)
- ANGLE-W/SLOTS  
140002-01-CHT (10)

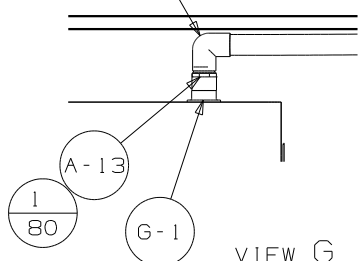


DETAIL H  
(SHOWN W/O CABINETS & FLOOR)



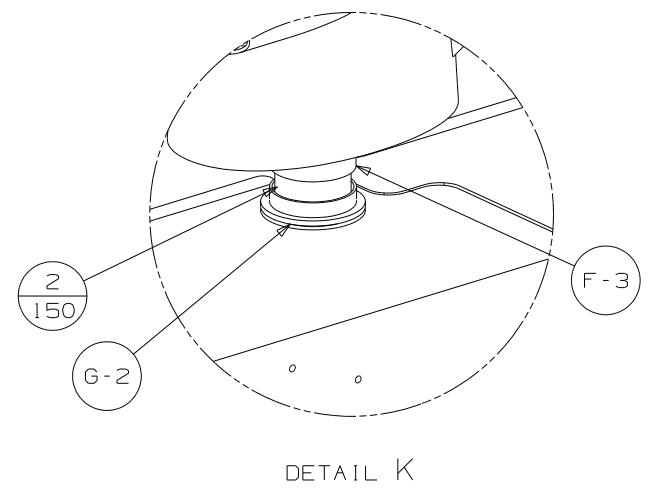
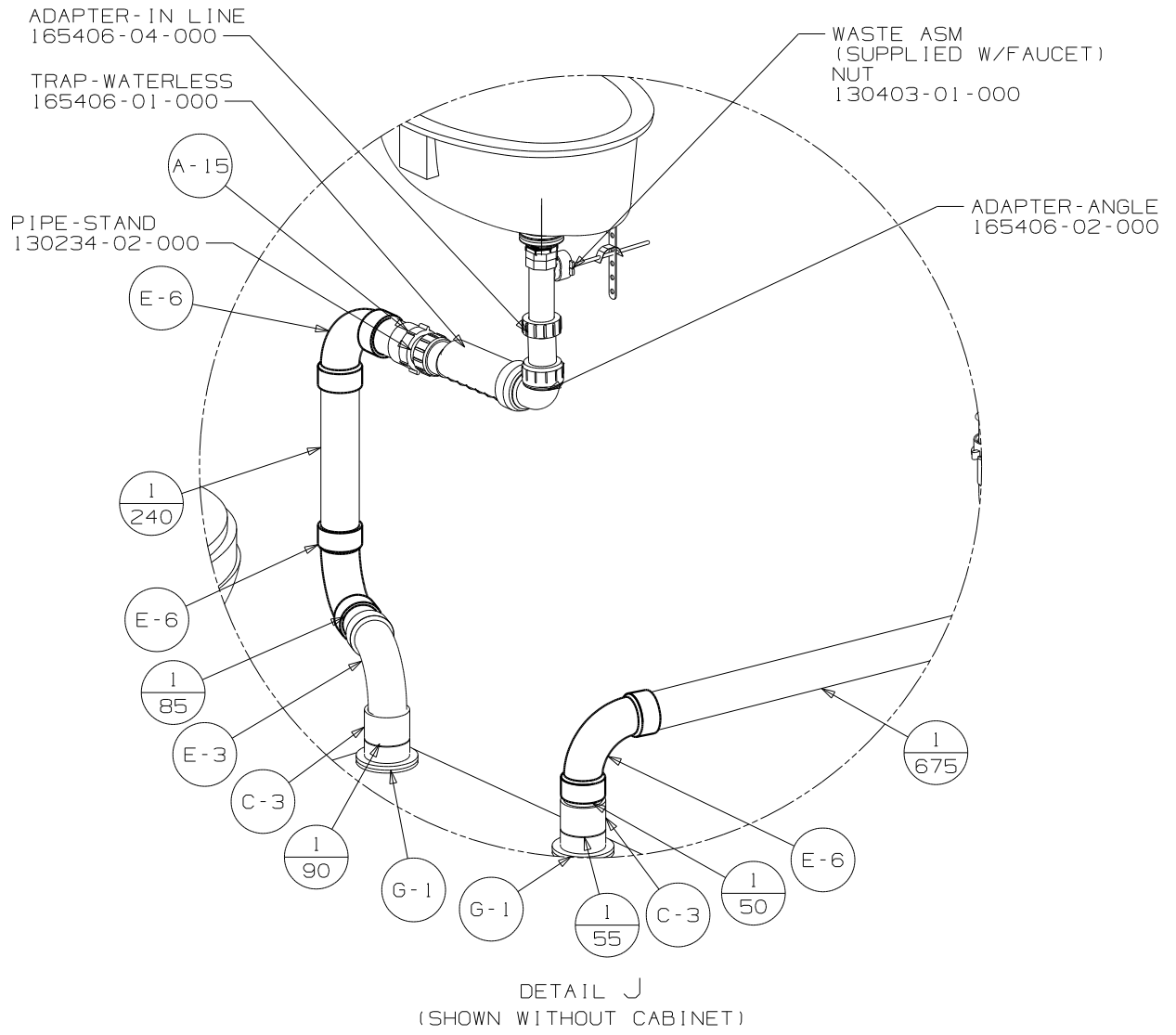
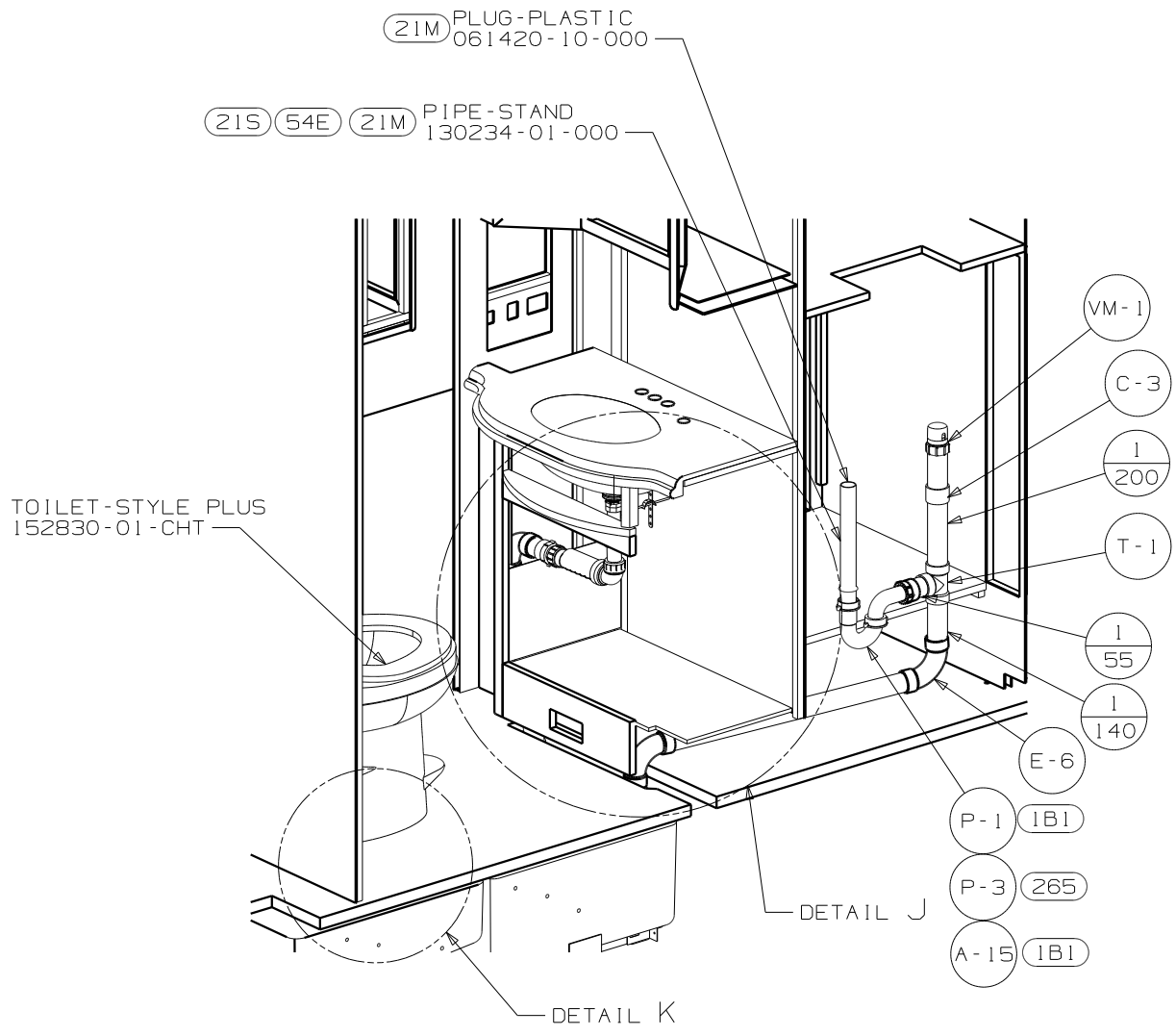
DETAIL T

- ELBOW  
136111-01-000

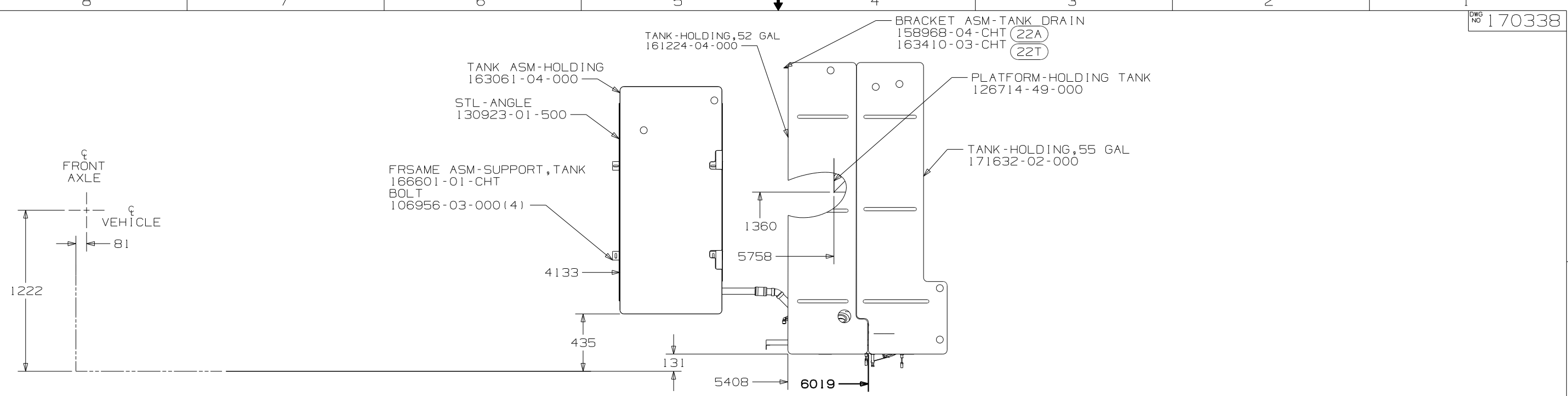


VIEW G

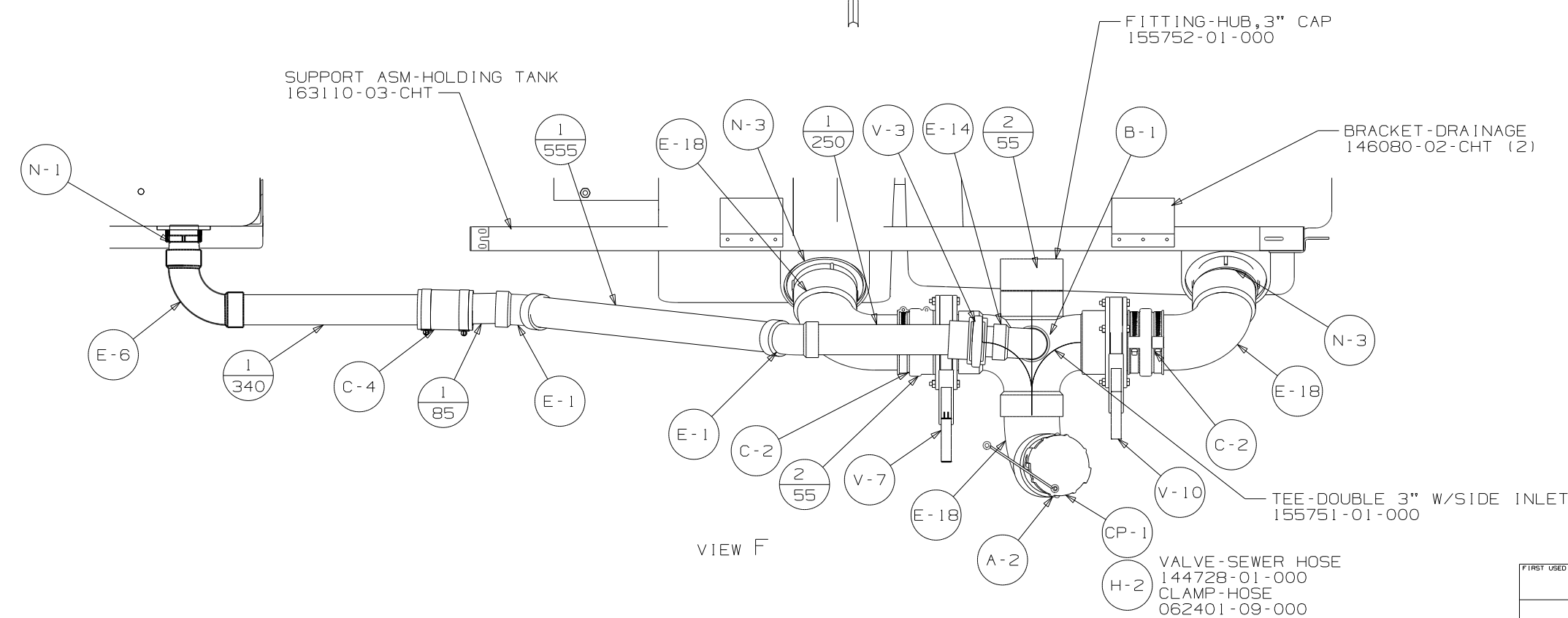
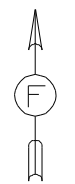
FIRST USED	10 R42AD
TITLE	DO NOT SCALE DRAWING
	DRAINAGE SYSTEM INSTL
SHEET 2	PART NO 170338 REV



FIRST USED	10 R42AD	
TITLE	DRAINAGE SYSTEM INSTL	
SHEET 3	PART NO 170338	REV



VIEW D  
(SHOWN W/O CABINETS/FLOOR)

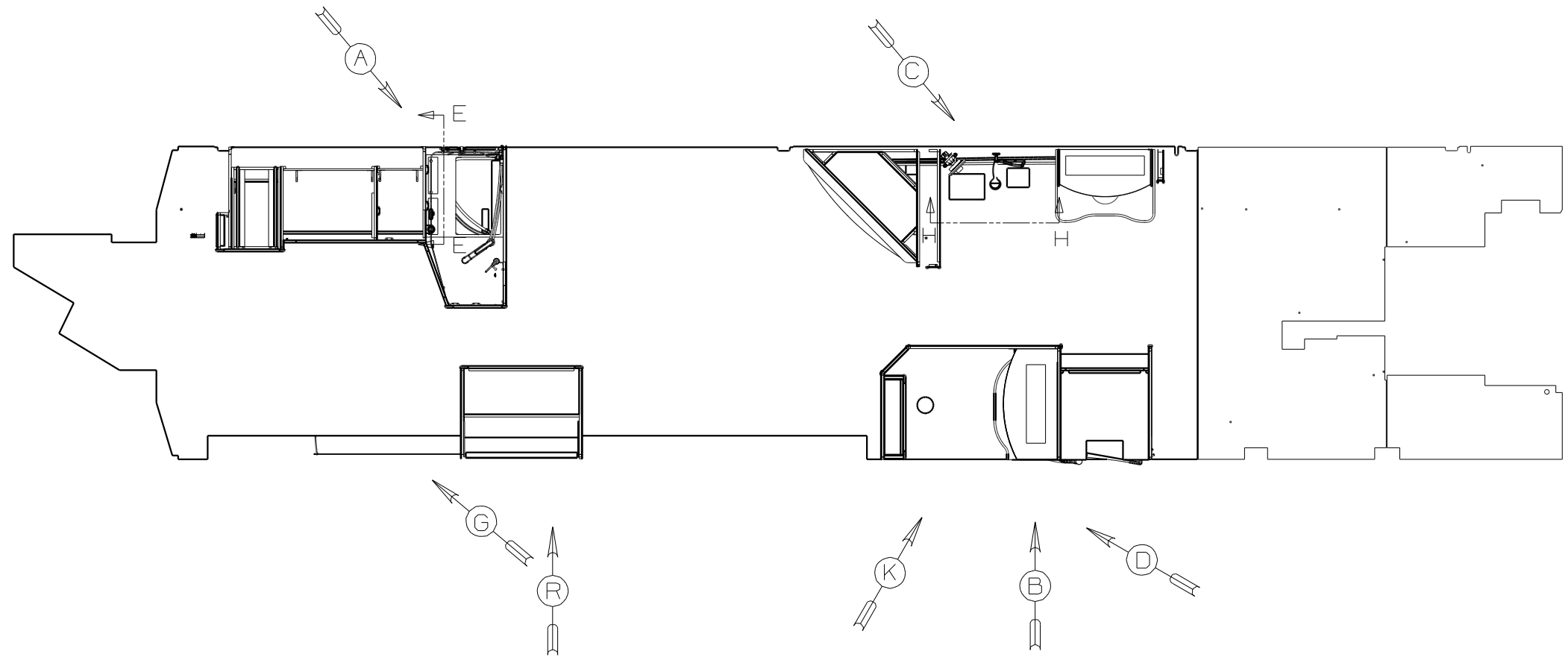


VIEW F

FIRST USED	10 R42AD	
TITLE	DO NOT SCALE DRAWING	
	DRAINAGE SYSTEM INSTL	
SHEET 4	PART NO 170338	REV

DWG NO	--
170252-01	(WIN)
170252-02	(ITA)

RELEASE	REV DATE	DWG NO
A		170252
REV ZONE	REVISION RECORD	DATE

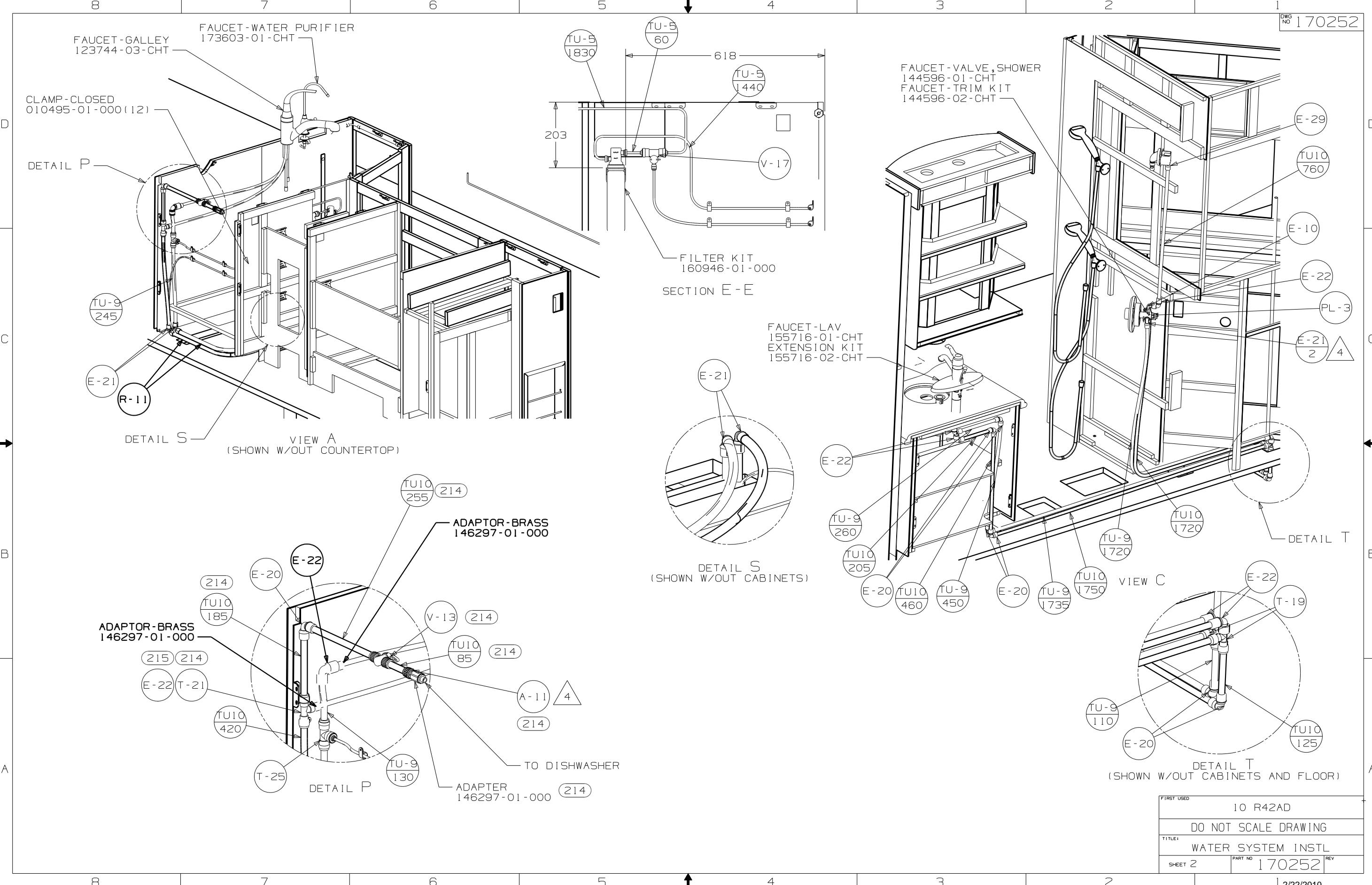


- (54E) WASHER/DRYER
- (21M) WASHER/DRYER PREP
- (214) DISHWASHER-DRAWER STYLE
- (215) DISHWASHER WITHOUT
- (505) HOSE REEL - WATER, POWERED

- NOTES:
- 8 FOLLOW AQUAHOT TEST-PROCEDURE REQUIRES 5 GALLONS OF 157665-02-000 ANTIFREEZE FOR WINTERIZATION.
  - 7 ADD PIPE WRAP (LADDER SCRAP 110157-02-000) INSULATION.
  - 6 ADD TEFLON TAPE 010405-03-000.
  - 5 ADD TEFLON TAPE 010405-02-000.
  - 4 ADD TEFLON TAPE 010405-01-000.
  3. ALL TUBING TO BE SECURED AT 1200 INTERVALS MAXIMUM WITH CLAMP 010495-01-000 AND SCREW 000667-10-12B OR EQUIVALENT.
  2. TUBING TO BE INSTALLED WITH SUFFICIENT SLOPE TO PROVIDE DRAINAGE TO NEAREST VALVE.
  1. PLASTIC FITTINGS TO BE SEALED WITH SEALANT 084456-01-000.

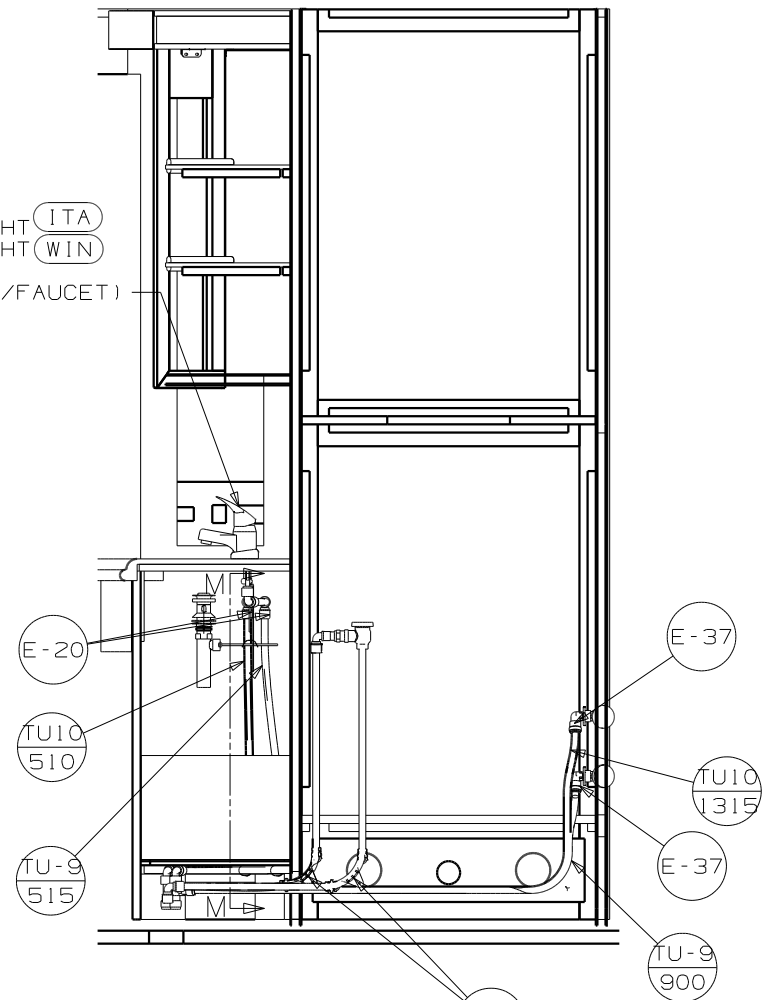
(X-X)  
FOR  
WATER  
CALLOUTS  
SEE DWG NO  
116230-01-000

<b>WINNEBAGO</b>		COPYRIGHT 2010 WINNEBAGO INDUSTRIES, INC.	
DFTD	ORIG. DATE	ALL DIMENSIONS ARE IN MILLIMETERS	
CHKR		MATERIAL: 10 R42AD	
P.E.		UNSPECIFIED TOLERANCES ARE: WHOLE DIM (X.X) : 3 ONE-PLACE (X.X.X) : 1.5 TWO-PLACE (X.X.XX) : 0.50 ANGLE : 1°	
M.E.	FIRST USED	THIRD ANGLE PROJECTION	
DSNR		DO NOT SCALE DRAWING REFER TO ES0018 FOR FASTENER TIGHTENING GUIDELINES	
TITLE: WATER SYSTEM INSTL			
SHEET 1 OF 5	PART NO	170252	REV
REF:	1/22/2010		

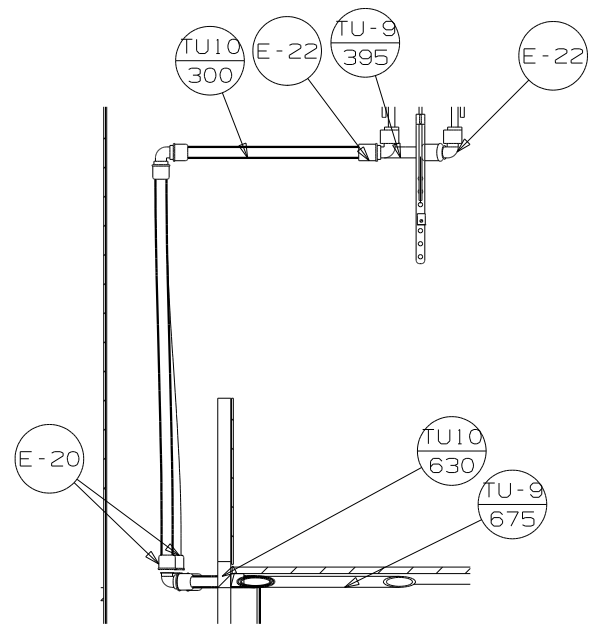


FIRST USED	10 R42AD
DO NOT SCALE DRAWING	
TITLE:	WATER SYSTEM INSTL
SHEET 2	PART NO 170252 REV

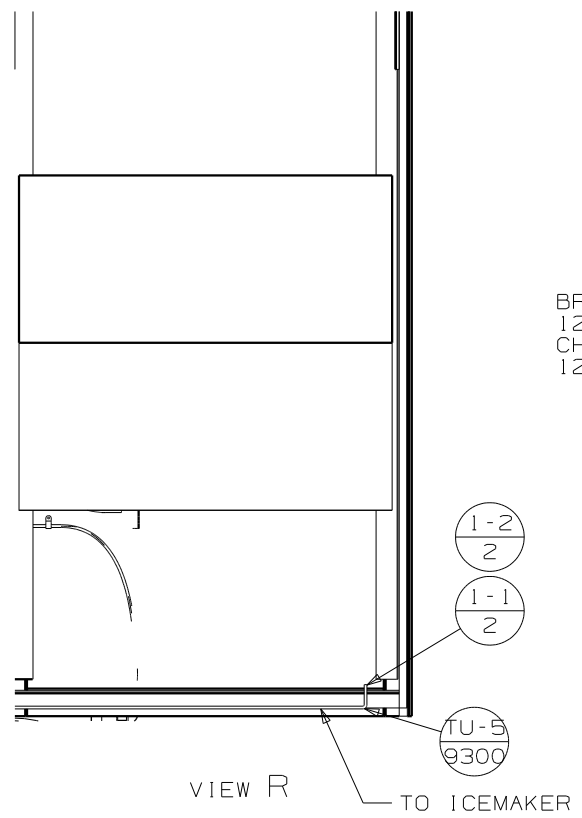
FAUCET  
170451-01-CHT (ITA)  
165730-02-CHT (WIN)  
WASTE ASM  
(SUPPLIED W/FAUCET)



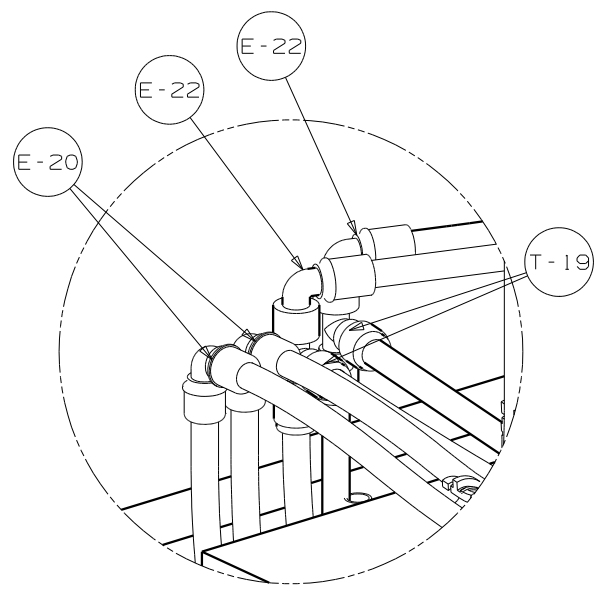
VIEW B



SECTION M-M

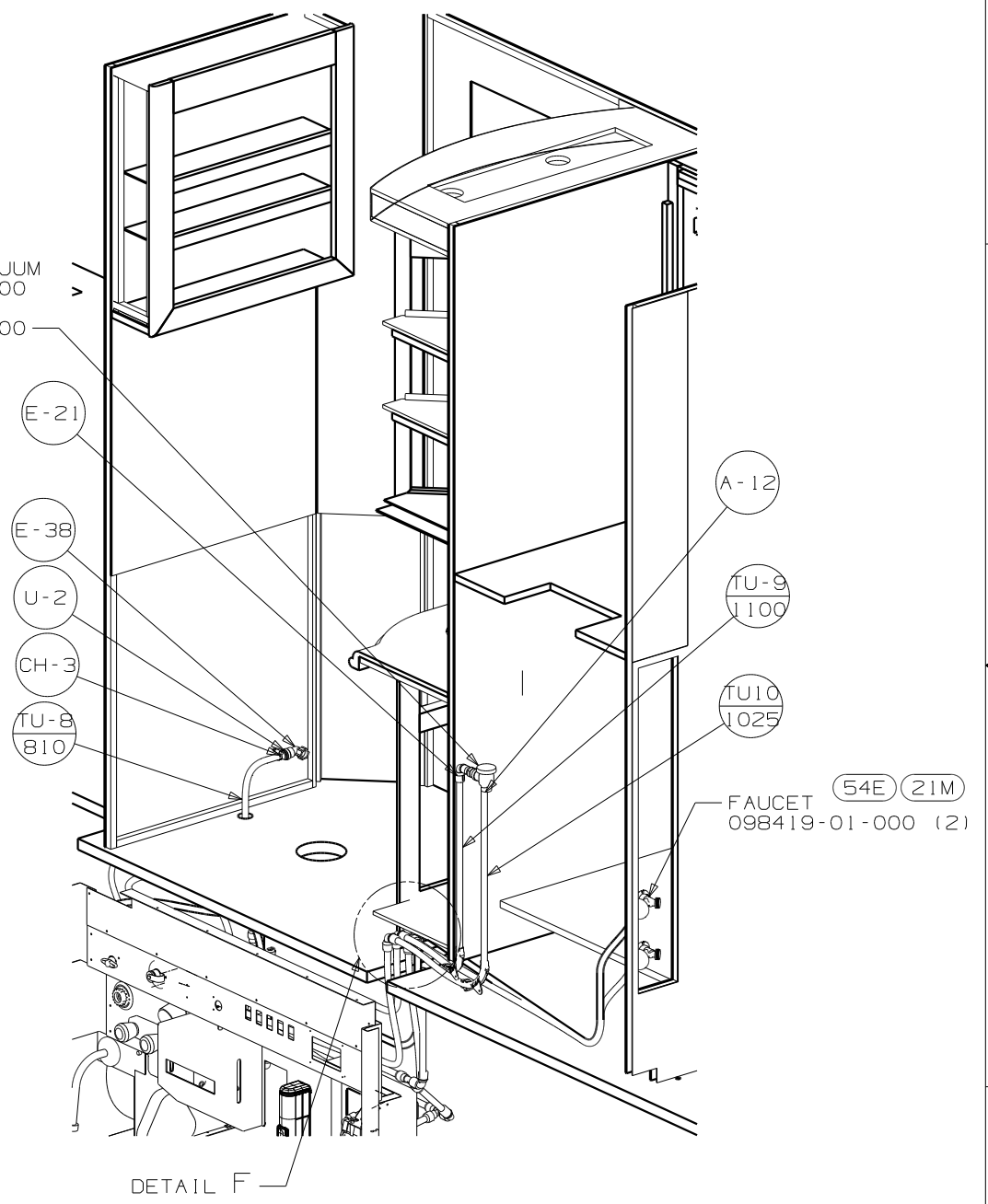


VIEW R



DETAIL F  
(SHOWN W/OUT CABINETS)

BREAKER-VACUUM  
125697-04-000  
CHECK VALVE  
125697-03-000



DETAIL F

VIEW D

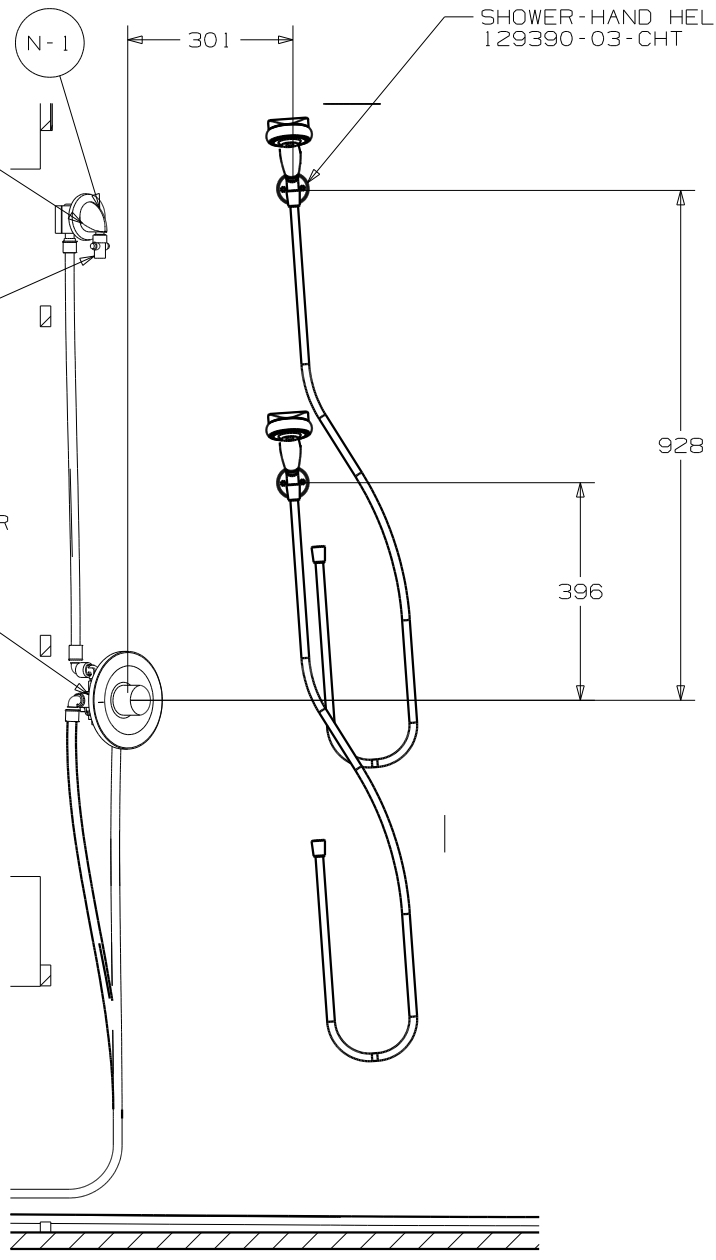
FIRST USED	10 R42AD
TITLE	DO NOT SCALE DRAWING
TITLE	WATER SYSTEM INSTL
SHEET 3	PART NO 170252
	REV

BRACKET-SHOWER HEAD  
143101-01-CHT  
DROP ELL  
135028-02-CHT  
SPACER  
130041-03-CHT

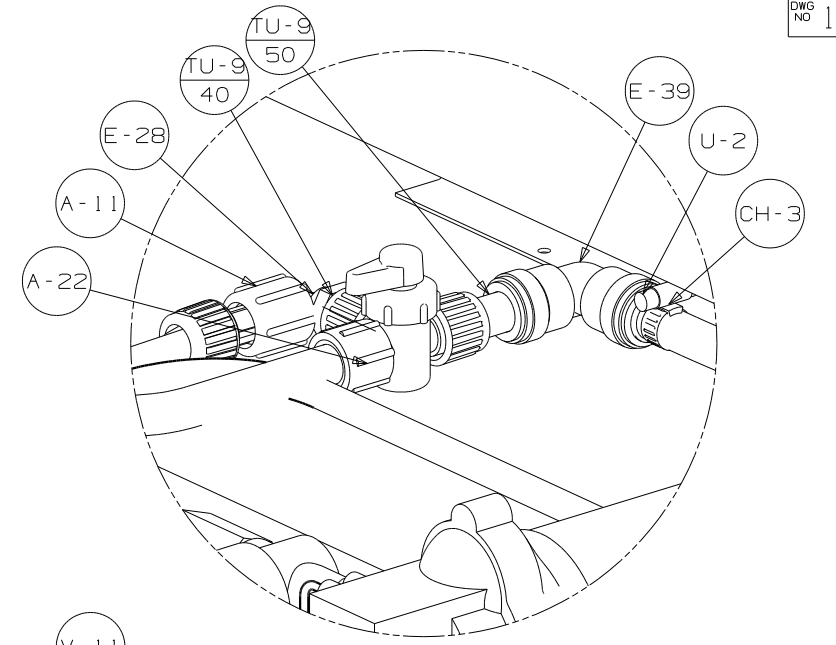
VALVE-SHOWER HEAD  
128974-01-CHT

FAUCET-VALVE, SHOWER  
144596-01-CHT  
FAUCET-TRIM KIT  
144596-02-CHT

SHOWER-HAND HELD  
129390-03-CHT



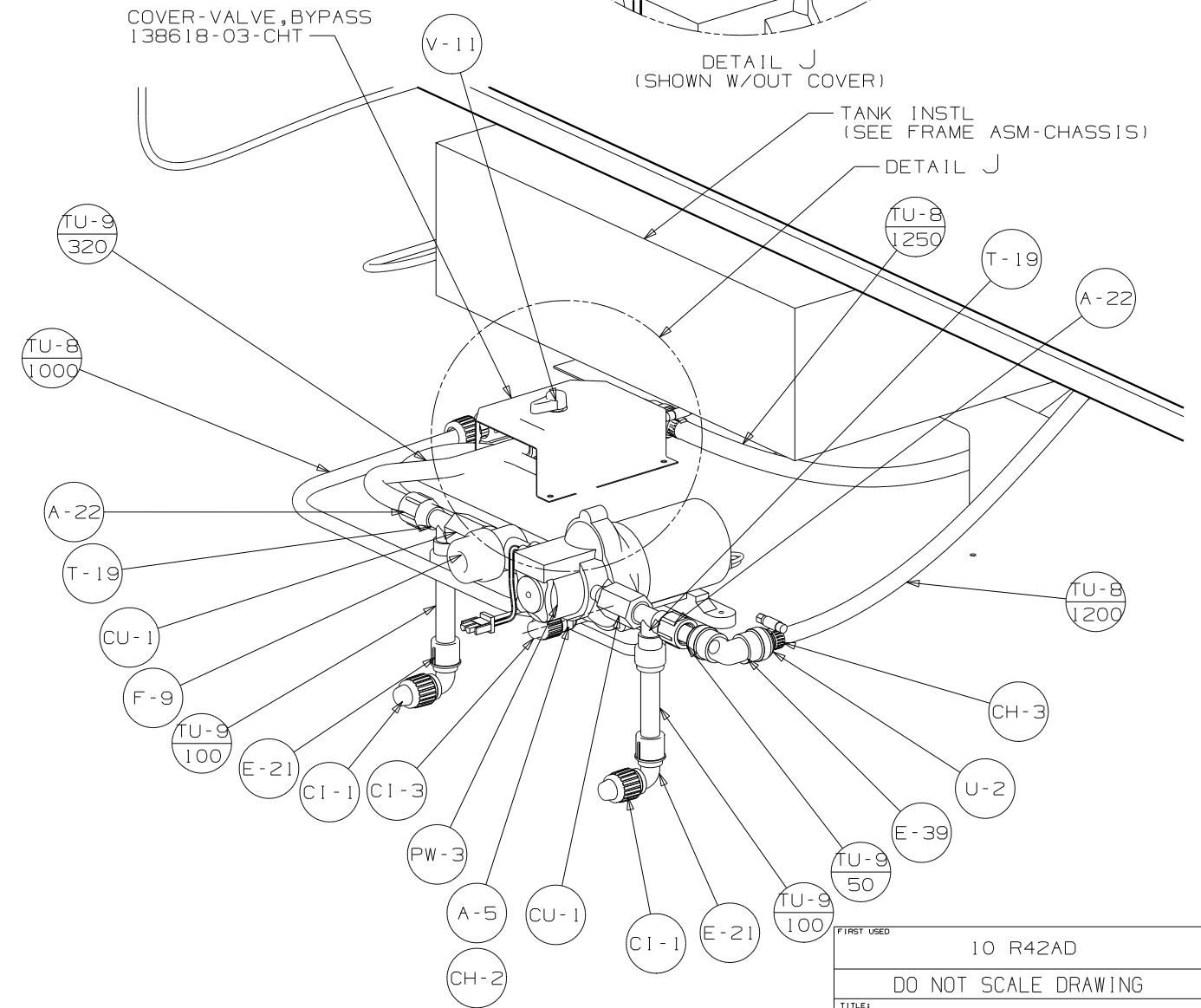
SECTION H-H



DETAIL J  
(SHOWN W/OUT COVER)

COVER-VALVE, BYPASS  
138618-03-CHT

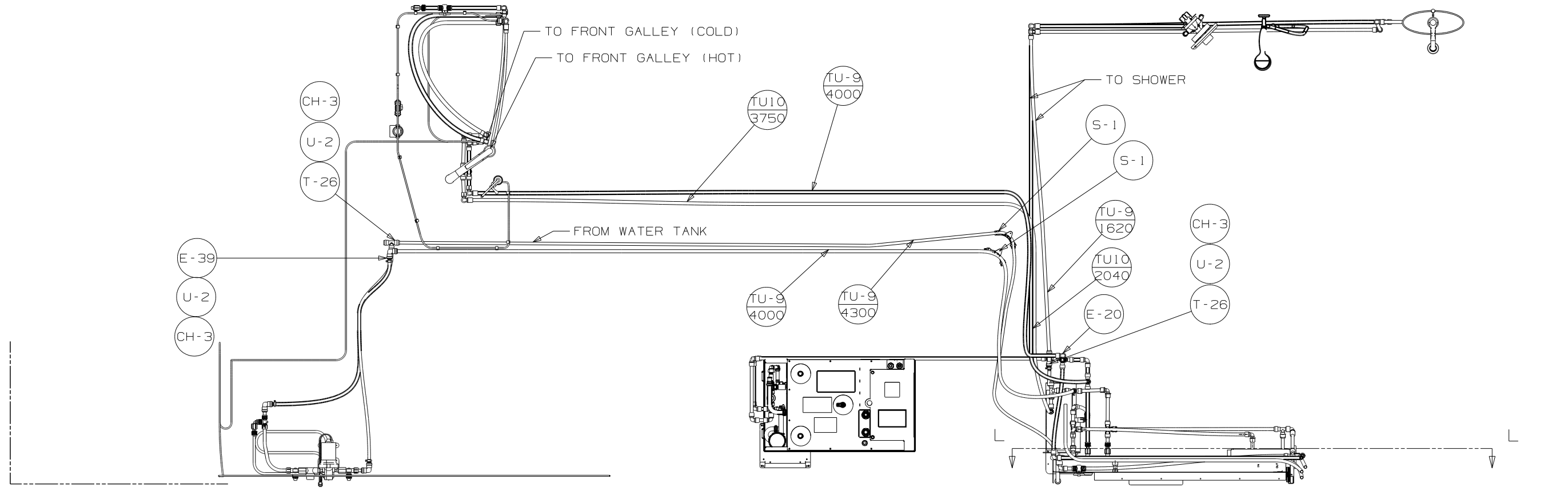
TANK INSTL  
(SEE FRAME ASM-CHASSIS)



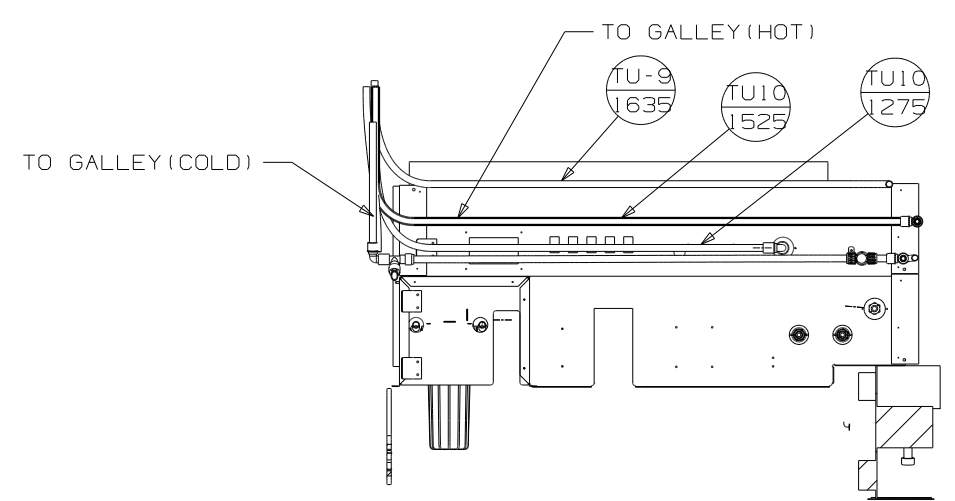
VIEW G

FIRST USED	10 R42AD
TITLE	DO NOT SCALE DRAWING
TITLE	WATER SYSTEM INSTL
SHEET 4	PART NO 170252 REV

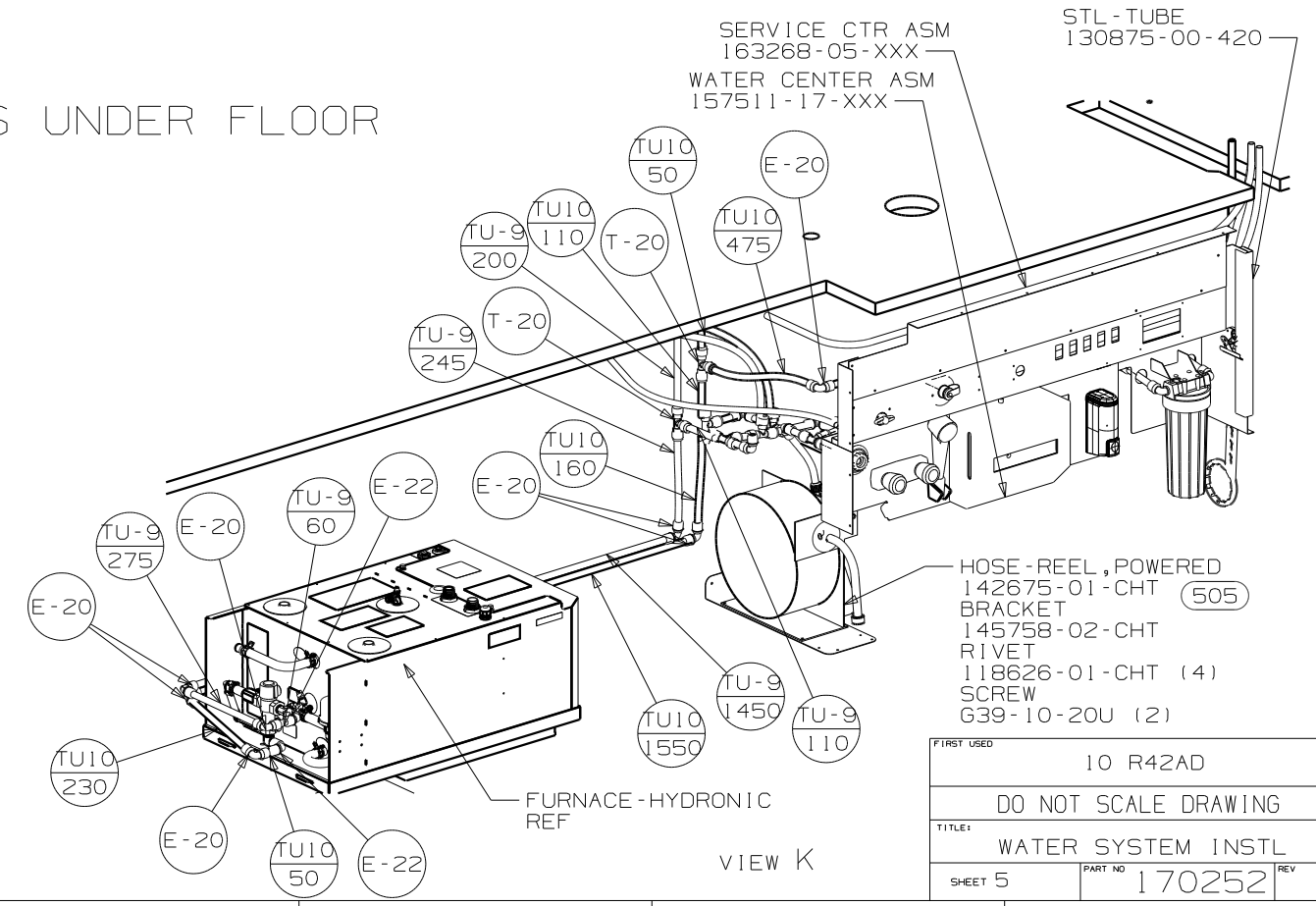




SHOWING LINES UNDER FLOOR

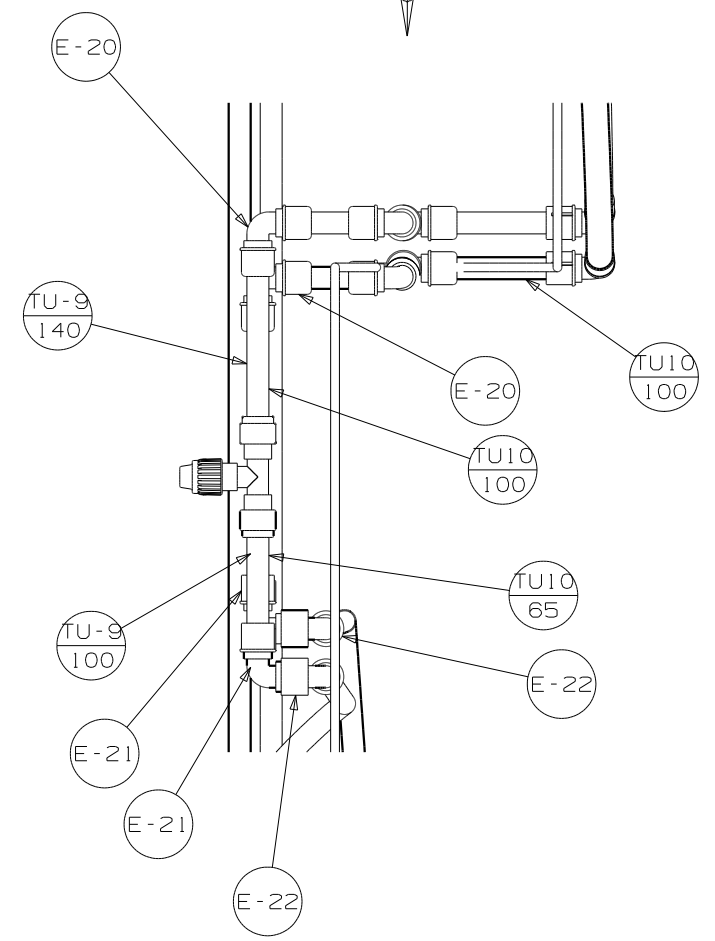
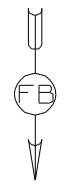


SECTION L-L  
(ROTATED)

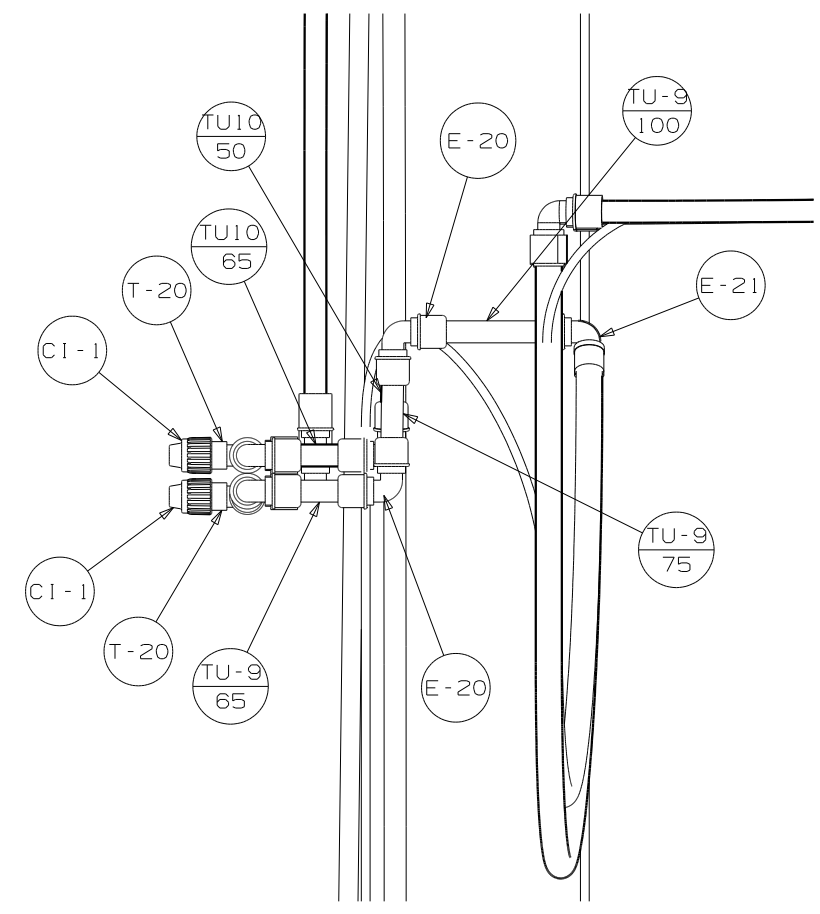


VIEW K

FIRST USED	10 R42AD
TITLE	DO NOT SCALE DRAWING
TITLE	WATER SYSTEM INSTL
SHEET 5	PART NO 170252 REV



VIEW FA



VIEW FB

FIRST USED	10 R42AD		
TITLE	DO NOT SCALE DRAWING		
TITLE	WATER SYSTEM INSTL		
SHEET 6	PART NO	170252	REV