

- 1. HOSE NEEDS TO BE LOOSE INSIDE OF CLAMP.
- 10. USE WIRE TIE 8343-03-000 (3) TO CLAMP DRAINAGE PIPE IN BRACKET.
- 9. LOCATE BETWEEN DRAINAGE HOLES IN UPPER FLOOR.
- 8. SECURE DRAINAGE PIPES TO CABINET USING WIRE TIE 108046-02-000, AND SCREW G67-10-12B AT INTERVALS OF NOT MORE THAN 4 FEET APART.
- 7. SECURE VENT PIPE TO FLOOR WITH CLAMP 62401-02-000 (2), SCREW G67-10-12B (2), BRACKET 136878-01-CHT (2).
- 6. VENT PIPE MUST PROJECT 51 MIN AND 64 MAX ABOVE ROOF FOR PROPER FIT AND FUNCTION. ADD S-1 (116666-01-CHT SEAL-VENT PIPE) AROUND PIPE ON ROOF BEFORE VENT CAP IS INSTALLED.
- 5. SEAL AROUND SHOWER WITH SILICONE.
- 4. ALL EXTERIOR OPENINGS AROUND PIPE TO BE SEALED WITH 131264-03-000.
- 3. ALL PIPE AND FITTINGS TO BE ASSEMBLED WITH SOLVENT 4020-01-000 (USA), 4020-02-000 (CAN)
- 2. SLOPE OF TRAP ARM MUST BE 6 PER 305 mm.
- 1. SLOPE OF HORIZONTAL PIPING TO BE MINIMUM OF 3 PER 305 mm.

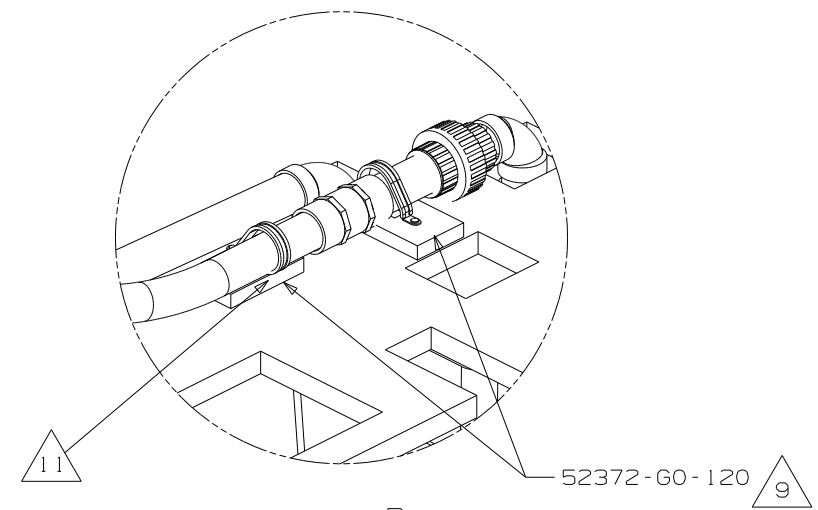
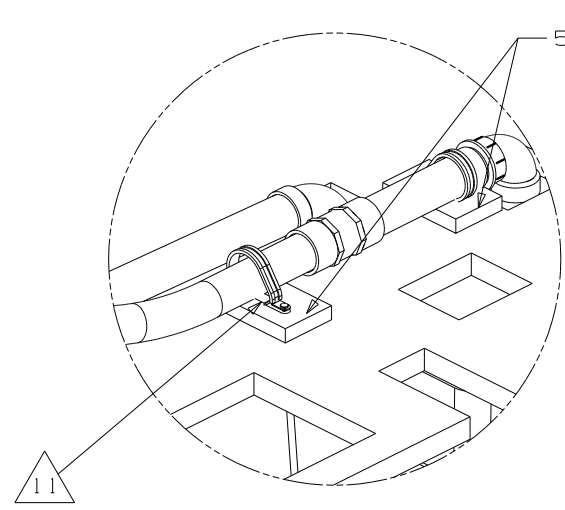
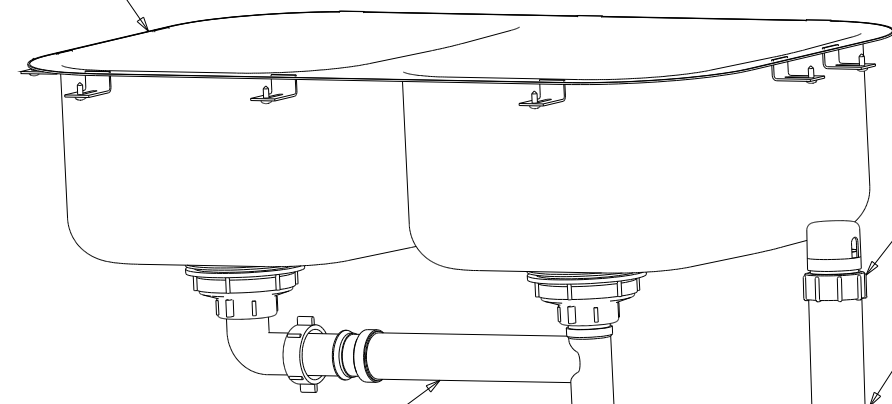
- 1B1 CODES/STANDARDS USA
- 265 CODES/STDS-CSA, CMVSS

<b>WINNEBAGO</b>		COPYRIGHT 2009 WINNEBAGO INDUSTRIES, INC.	
DFT	ORIG. DATE	ALL DIMENSIONS ARE IN MILLIMETERS	
CHKR		FIRST USED	
P.E.		10 R40WD	
M.E.		UNSPECIFIED TOLERANCES ARE:	
DSNR		MATERIAL:	
		WHOLE DIM (X)	: 3
		ONE-PLACE (X.X)	: 1.5
		TWO-PLACE (X.XX)	: 0.50
		ANGLE	: 1°
		THIRD ANGLE PROJECTION	
DO NOT SCALE DRAWING			
TITLE: DRAINAGE SYSTEM INSTL			
SHEET 1 OF 5	PART NO	169222	REV

FOR  
DRAINAGE  
CALLOUTS  
SEE DWG NO  
116229-01-000

NOTES:

SINK - GALLEY  
 173783-01-000  
 STRAINER  
 92303-01-000 (2)  
 ANGLE-W/SLOTS  
 140002-01-CHT (10)  
 SCREW  
 G67-10-08U (10)



- (1B1) P-1
- (265) P-3
- (1B1) A-15

- (1B1) 1/50
- (265) 1/150
- 1/90

BRACKET-COVER  
 142526-03-CHT  
 SCREW  
 G67-10-12U (9)

ELBOW  
 136111-01-000

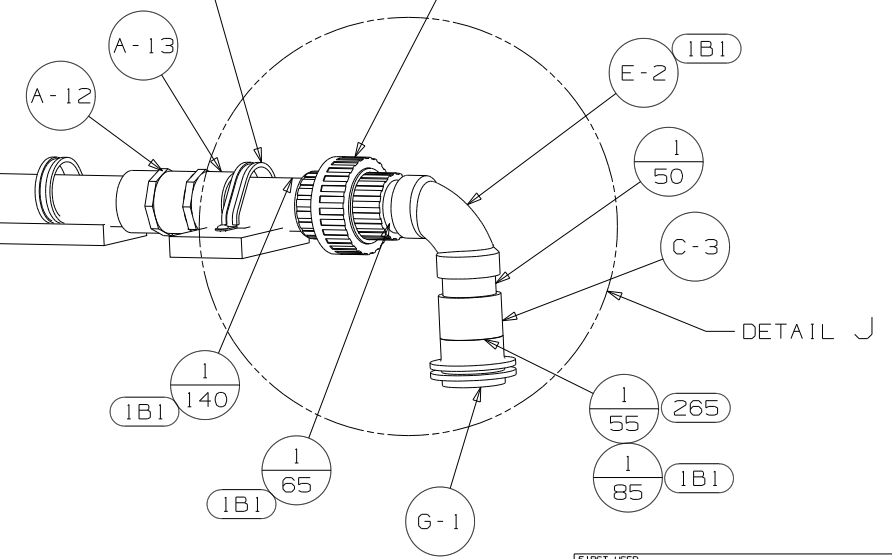
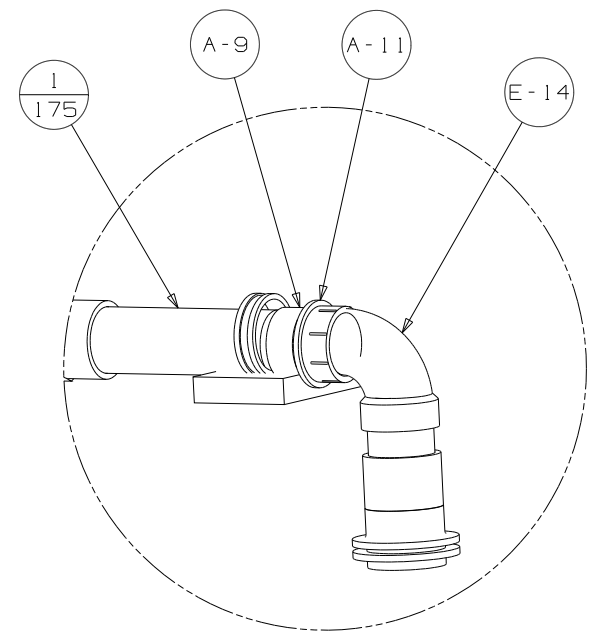
CLAMP  
 083610-02-000 (2)  
 SCREW  
 G39-10-12U (2)

UNION- 1 1/2 DBL (1B1)  
 133889-01-000

STRAP-CONDUIT, 2"  
 8406-01-000 (2)  
 SCREW  
 G67-10-10T (4)

BRACKET-CARRIER  
 142527-03-CHT  
 SCREW  
 G67-10-12U (8)

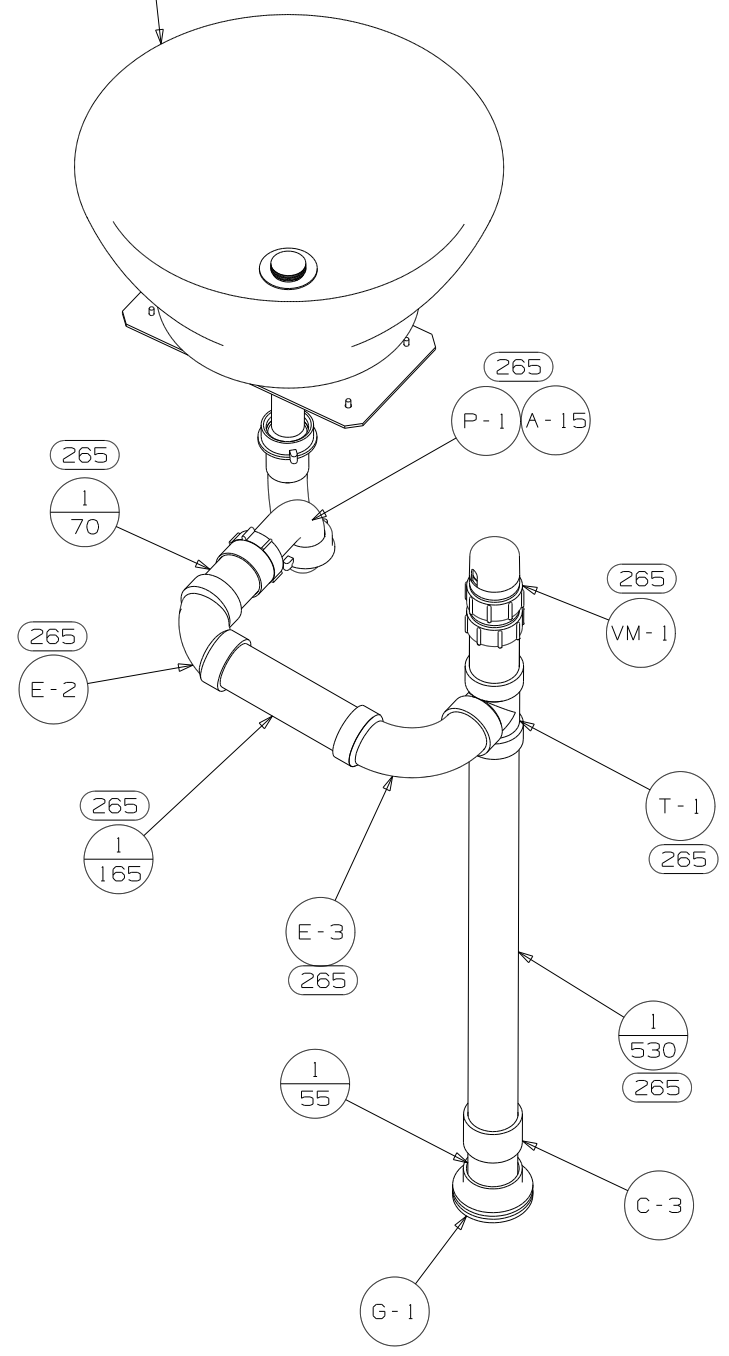
PRIMER  
 126427-02-000  
 CEMENT  
 126427-01-000  
 126427-03-000



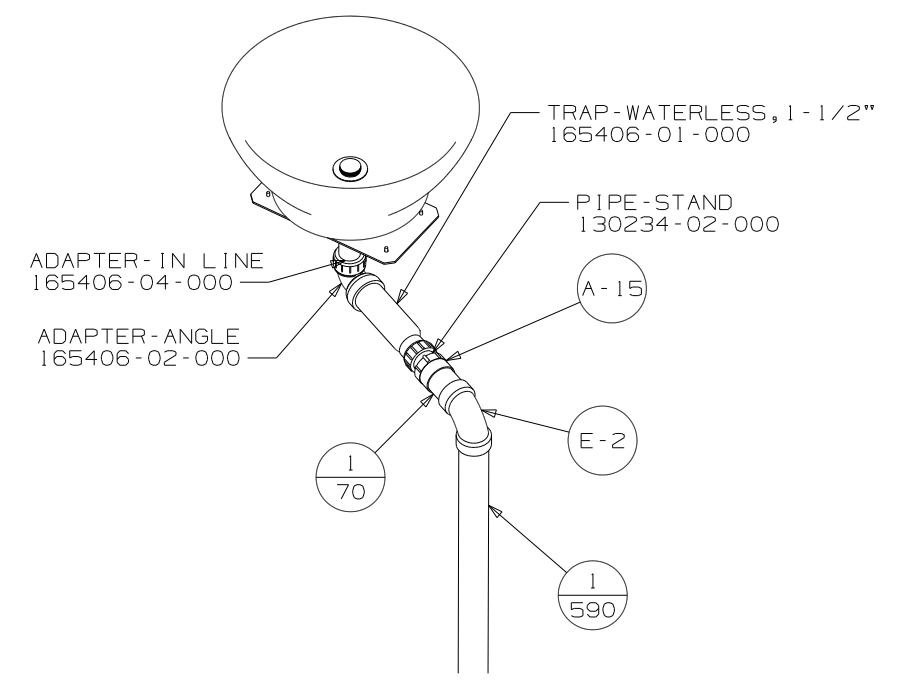
VIEW A

FIRST USED	10 R40WD	
TITLE	DO NOT SCALE DRAWING	
	DRAINAGE SYSTEM INSTL	
SHEET 2	PART NO	169222
	REV	

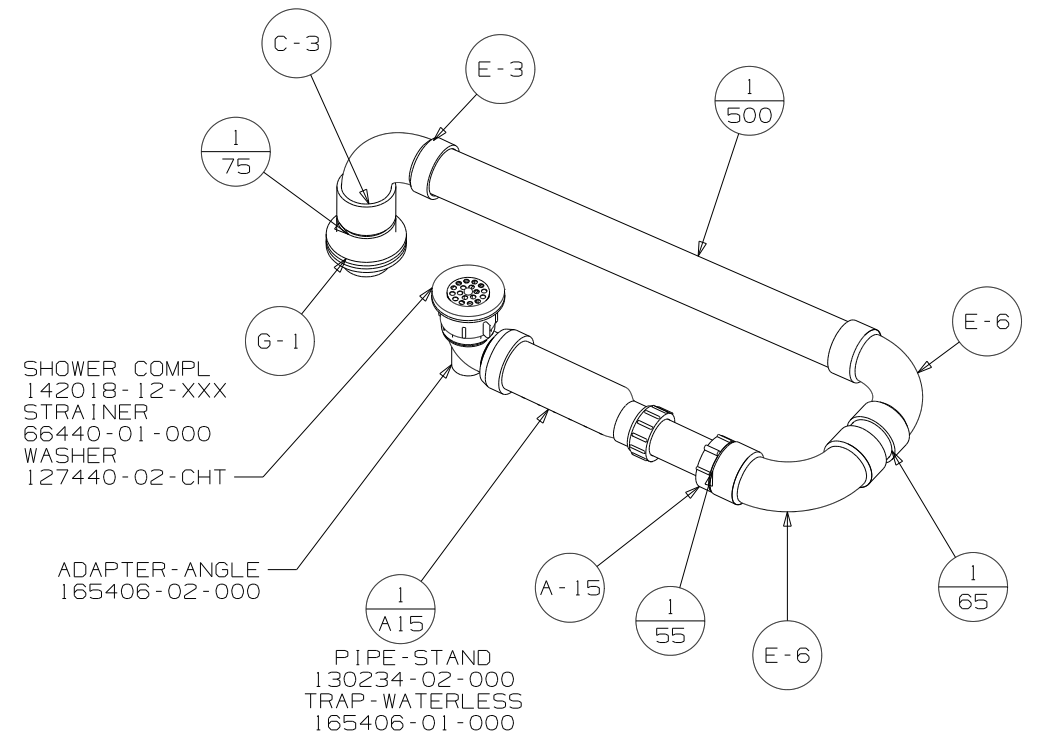
SINK - LAVATORY, VESSEL  
 165310-01-CHT  
 WASTE ASM-LAV, W/POP-UP  
 165753-01-CHT  
 PLATE  
 165361-01-CHT  
 SCREW  
 G67-10-08B (4)  
 NUT-DRAINAGE, SINK, 1 1/2-28  
 167042-01-CHT



VIEW C



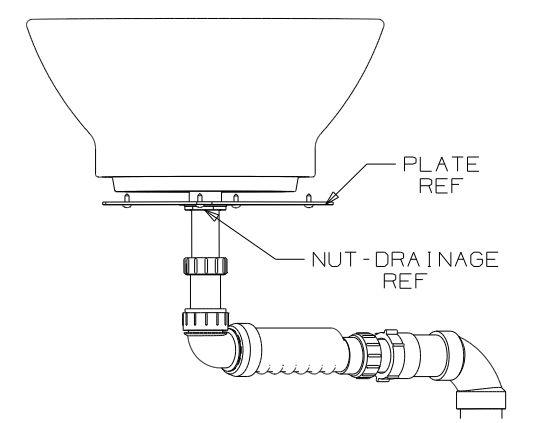
VIEW C  
 (1B1)



SHOWER COMPL  
 142018-12-XXX  
 STRAINER  
 66440-01-000  
 WASHER  
 127440-02-CHT

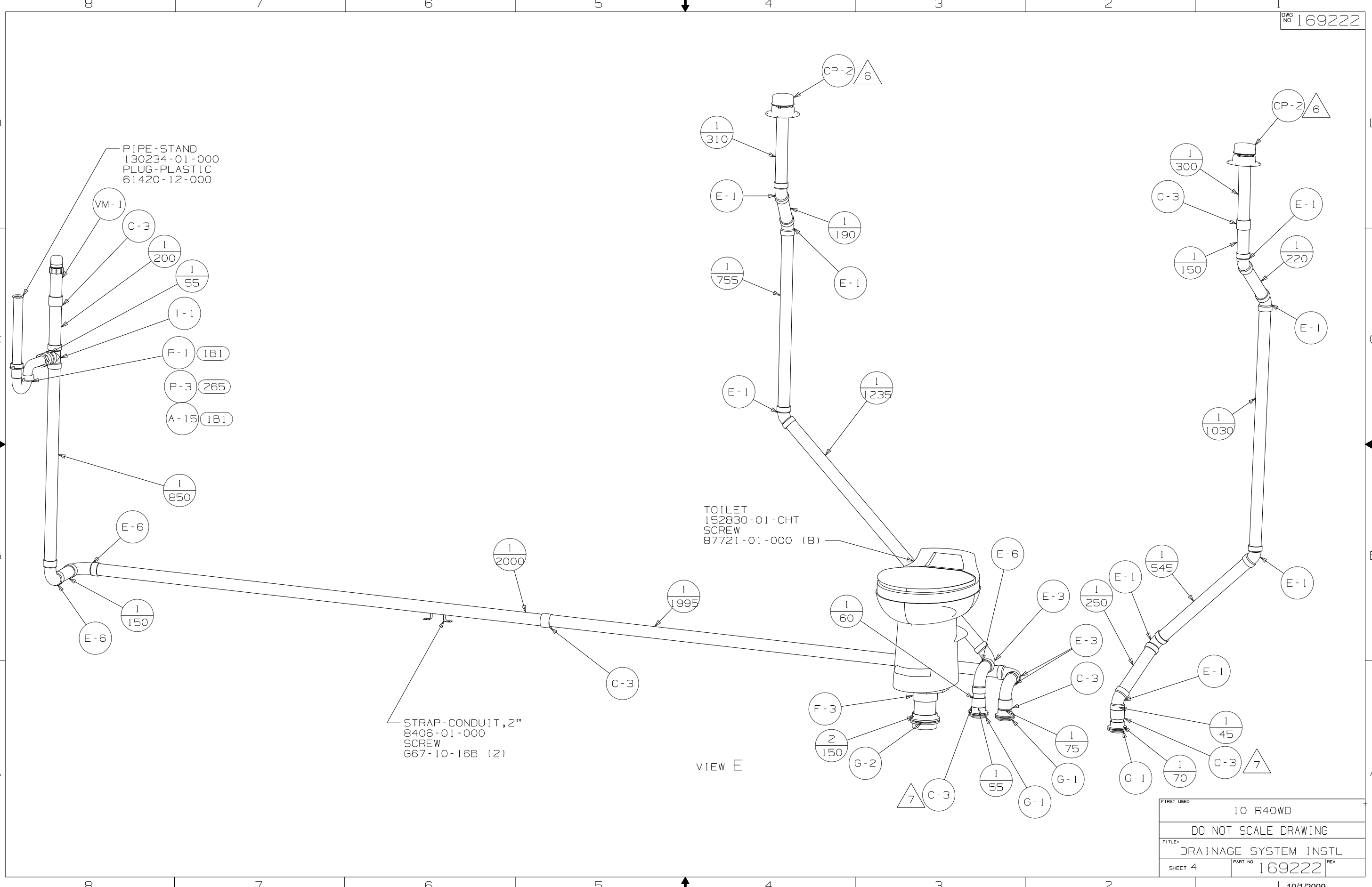
ADAPTER-ANGLE  
 165406-02-000

PIPE-STAND  
 130234-02-000  
 TRAP-WATERLESS  
 165406-01-000



VIEW D

FIRST USED	10 R40WD		
TITLE	DO NOT SCALE DRAWING		
	DRAINAGE SYSTEM INSTL		
SHEET 3	PART NO	169222	REV
			10/1/2009



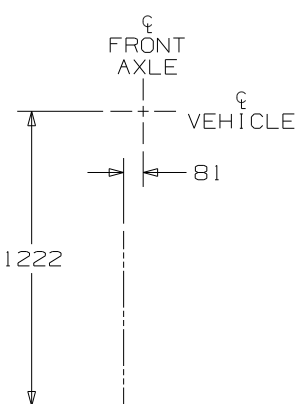
PIPE-STAND  
130234-01-000  
PLUG-PLASTIC  
61420-12-000

TOILET  
152830-01-CHT  
SCREW  
87721-01-000 (8)

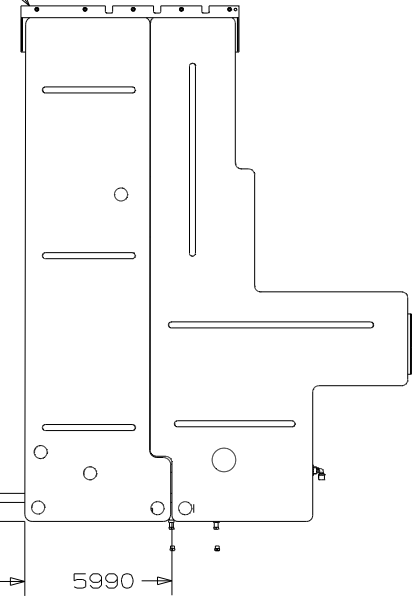
STRAP-CONDUIT, 2"  
8406-01-000  
SCREW  
G67-10-16B (2)

VIEW E

FIRST USED	10 R40WD		
TITLE	DO NOT SCALE DRAWING		
	DRAINAGE SYSTEM INSTL		
SHEET 4	PART NO	169222	REV
			10/1/2009



BRACKET-ASM TANK  
158968-02-CHT



VIEW F

BRACKET-DRAINAGE TANK  
146080-02-CHT (2)

H-2 VALVE-SEWER  
144728-01-000  
V-11 CLAMP-HOSE  
62401-09-000

SUPPORT ASM-HOLDING TANK  
161762-02-CHT  
SCREW  
G39-10-20T (4)

2  
95

2  
60

C-2

E-18

N-3

TANK-HOLDING, 67 GAL, GRY, RR  
163063-04-000

N-3

E-18

C-2

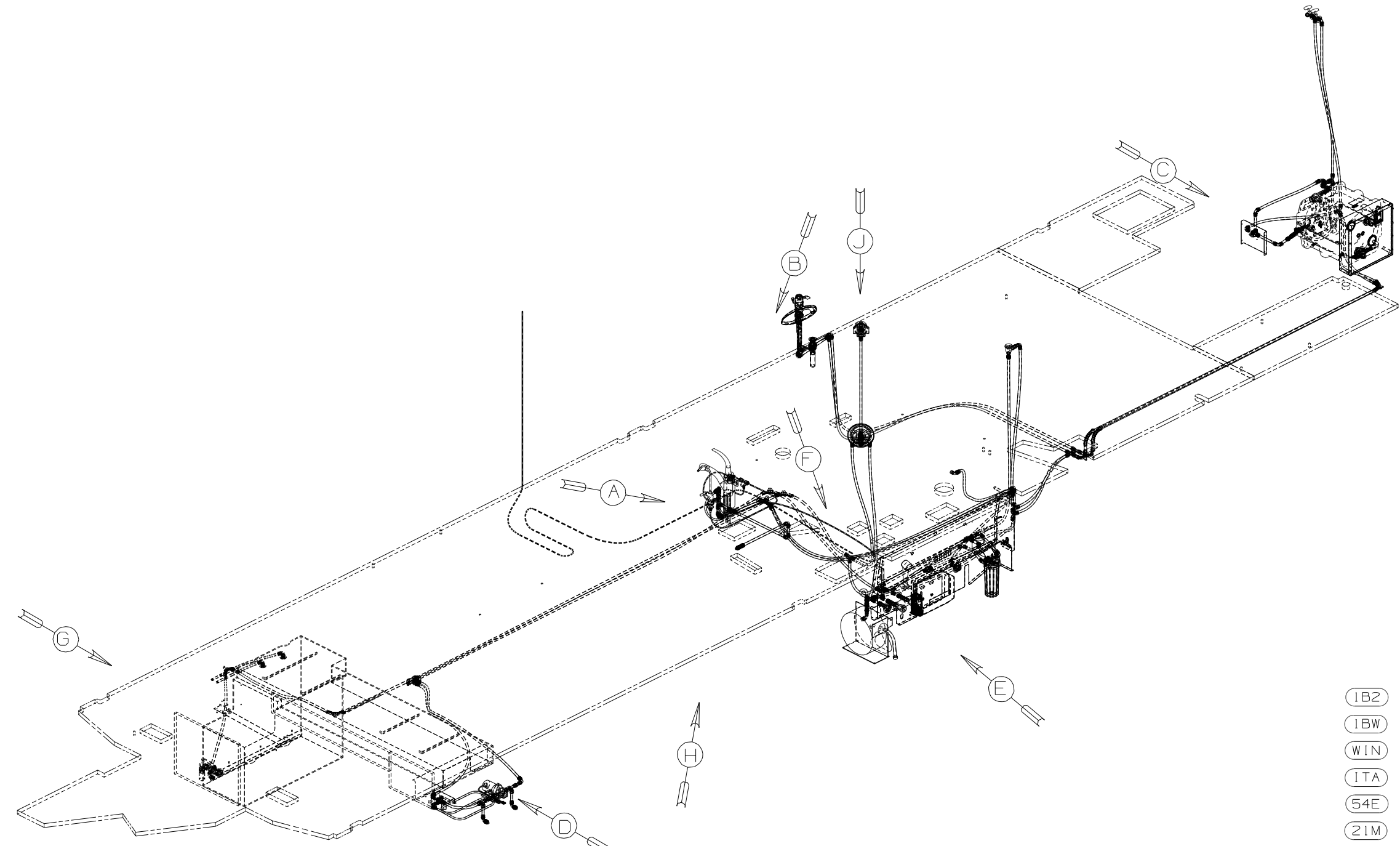
PLATFORM-HOLDING TANK  
126714-10-000

TANK-HOLDING, 54 GAL  
163062-04-000

PLATFORM-HOLDING TANK  
126714-49-000

VIEW G

FIRST USED	10 R40WD	
TITLE	DO NOT SCALE DRAWING	
	DRAINAGE SYSTEM INSTL	
SHEET 5	PART NO 169222	REV

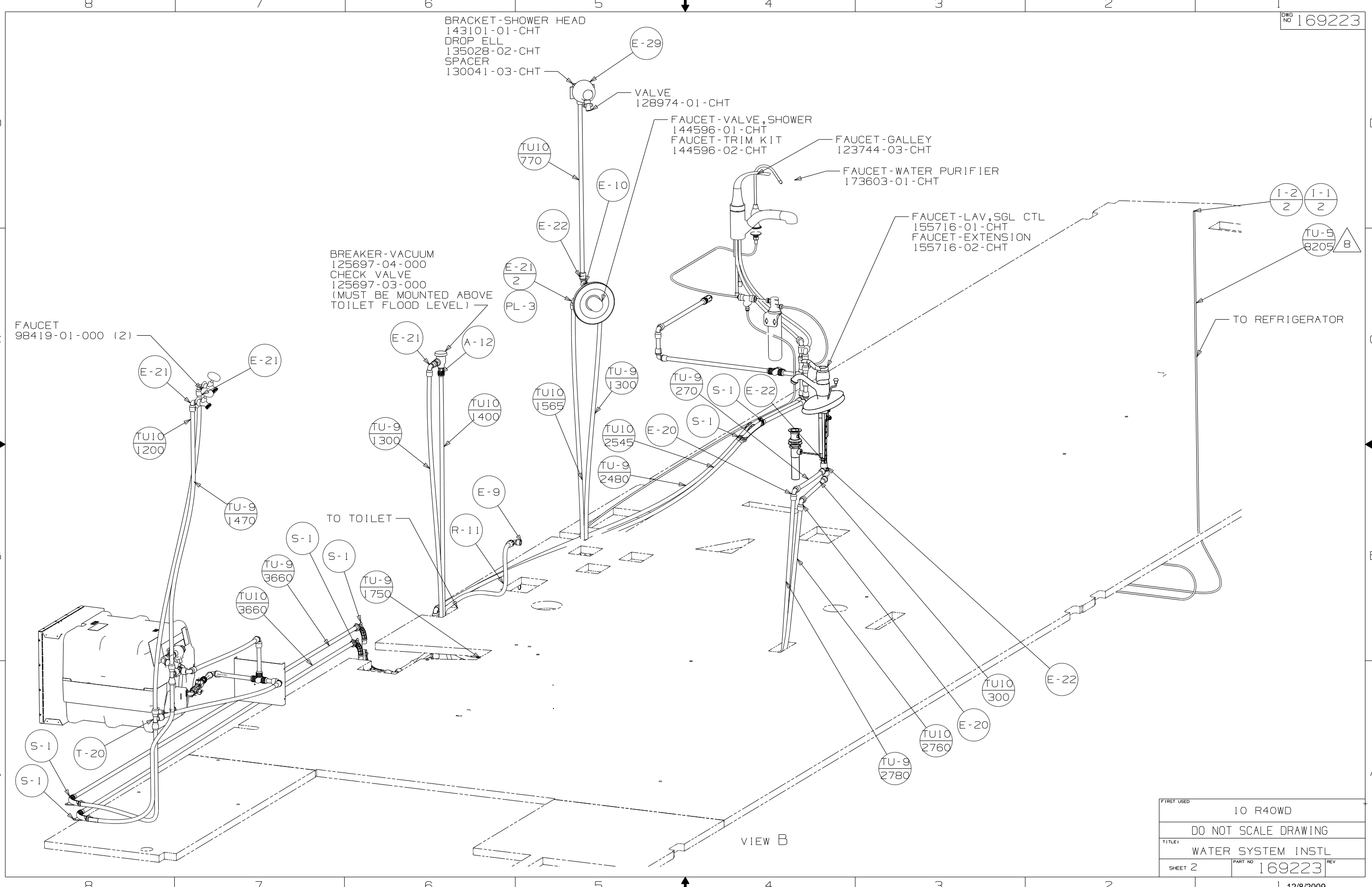


- (1B2) WTR HTR-10GAL/ELEC/LP/MTR AID
- (1BW) WTR HTR-10GL/160OUTPUT/MTR AID
- (WIN) WINNEABAGO ONLY
- (1TA) ITASCA ONLY
- (54E) WASHER/DRYER
- (21M) WASHER/DRYER PREP

- NOTES:
- 8. CLAMP ICEMAKER LINE TO SIDEWALL, AWAY FROM BURNER BOX ON REFRIGERATOR.
  - 7. ADD PIPE WRAP (LADDER SCRAP 110157-02-000) INSULATION.
  - 6. ADD TEFLON TAPE 10405-03-000.
  - 5. ADD TEFLON TAPE 10405-02-000.
  - 4. ADD TEFLON TAPE 10405-01-000.
3. ALL TUBING TO BE SECURED AT 1200 INTERVALS MAXIMUM WITH CLAMP 10495-01-000 AND SCREW G67-10-12B OR EQUIVALENT.
  2. TUBING TO BE INSTALLED WITH SUFFICIENT SLOPE TO PROVIDE DRAINAGE TO NEAREST VALVE.
  1. PLASTIC FITTINGS TO BE SEALED WITH SEALANT 84456-01-000.

<b>WINNEBAGO</b>		COPYRIGHT 2009 WINNEBAGO INDUSTRIES, INC.	
DFTR	ORIG. DATE	ALL DIMENSIONS ARE IN MILLIMETERS	
CHKR		FIRST USED	
P.E.		10 R40WD	
M.E.		UNSPECIFIED TOLERANCES ARE:	
DSNR		MATERIAL:	
		WHOLE DIM (X)	: 3
		ONE-PLACE (X.X)	: 1.5
		TWO-PLACE (X.XX)	: 0.50
		ANGLE	: 1°
THIRD ANGLE PROJECTION		DO NOT SCALE DRAWING	
TITLE: WATER SYSTEM INSTL			
SHEET 1 OF 5	PART NO	169223	REV
REF:	12/8/2009		

(X-X)  
FOR  
WATER  
CALLOUTS  
SEE DWG NO  
116230-01-000



BRACKET-SHOWER HEAD  
 143101-01-CHT  
 DROP ELL  
 135028-02-CHT  
 SPACER  
 130041-03-CHT

VALVE  
 128974-01-CHT

FAUCET-VALVE, SHOWER  
 144596-01-CHT  
 FAUCET-TRIM KIT  
 144596-02-CHT

FAUCET-GALLEY  
 123744-03-CHT

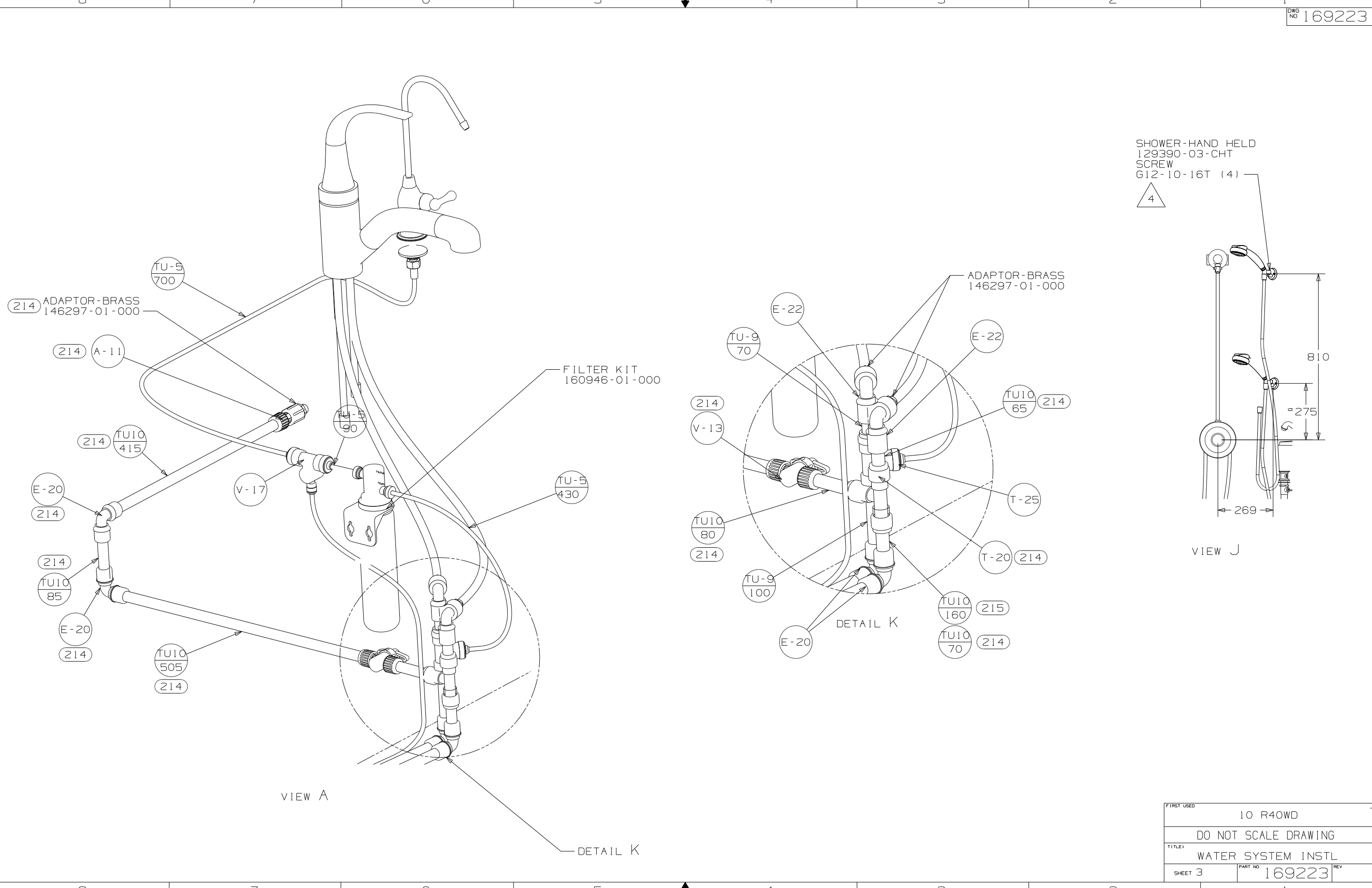
FAUCET-WATER PURIFIER  
 173603-01-CHT

FAUCET-LAV, SGL CTL  
 155716-01-CHT  
 FAUCET-EXTENSION  
 155716-02-CHT

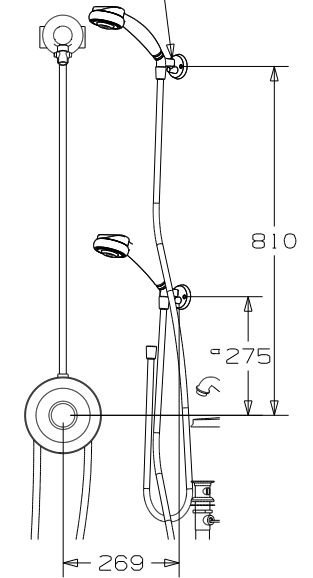
BREAKER-VACUUM  
 125697-04-000  
 CHECK VALVE  
 125697-03-000  
 (MUST BE MOUNTED ABOVE  
 TOILET FLOOD LEVEL)

FAUCET  
 98419-01-000 (2)

FIRST USED	10 R40WD		
TITLE:	DO NOT SCALE DRAWING		
SHEET 2	PART NO	169223	REV
			12/8/2009



SHOWER-HAND HELD  
129390-03-CHT  
SCREW  
G12-10-16T (4)



VIEW J

VIEW A

DETAIL K

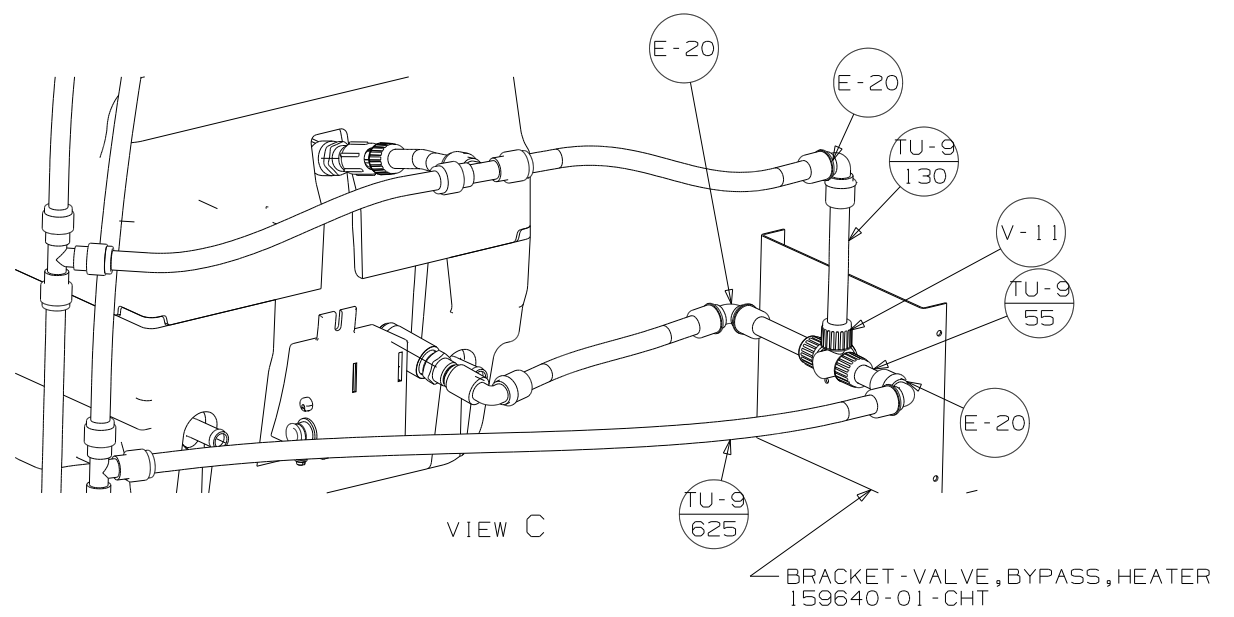
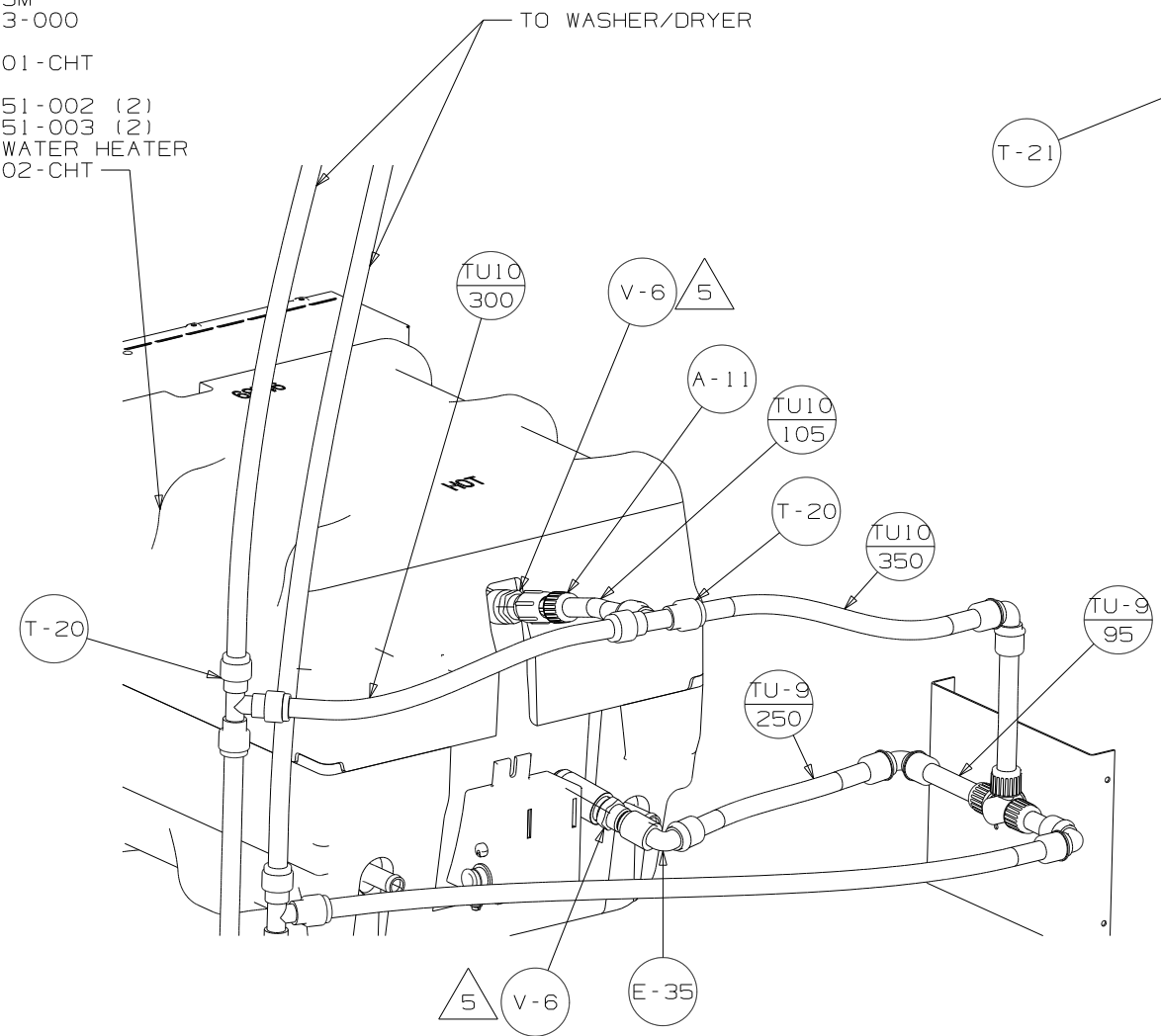
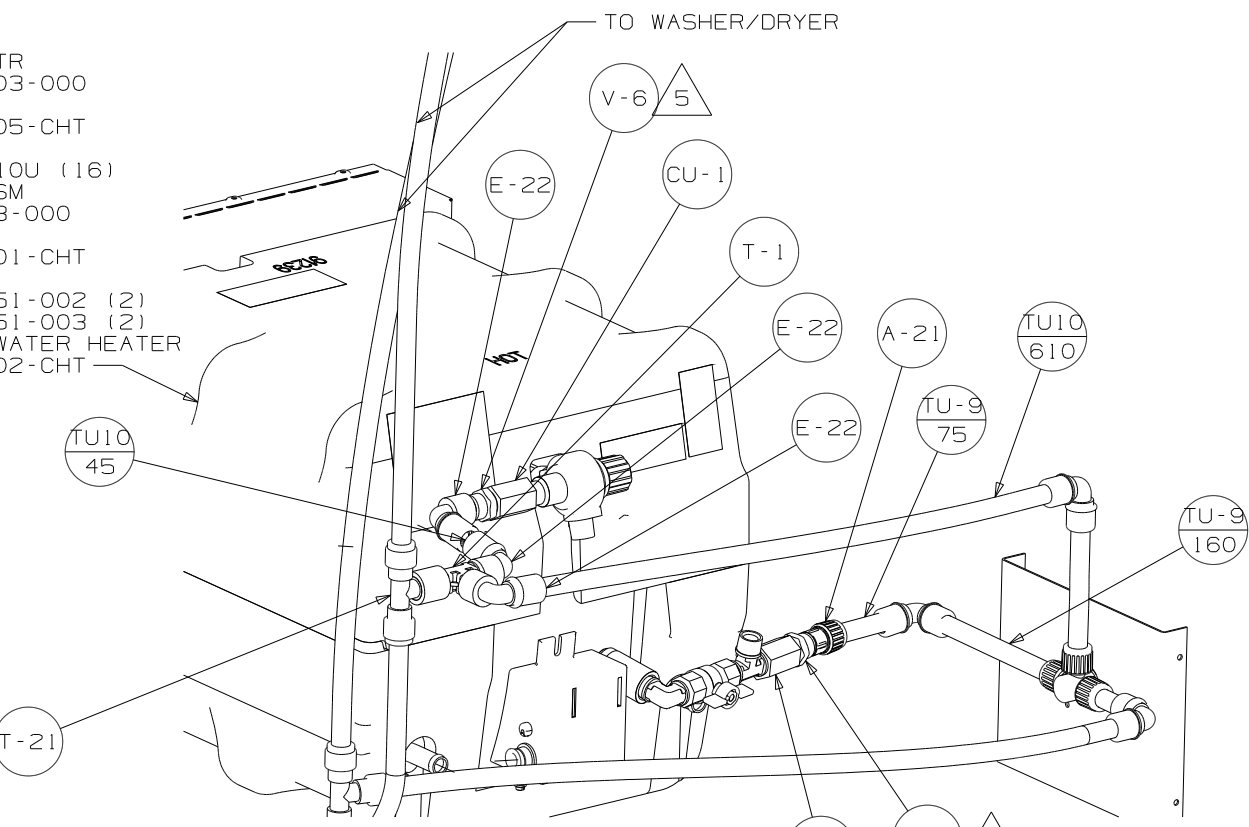
DETAIL K

FIRST USED	10 R40WD
TITLE	DO NOT SCALE DRAWING
TITLE	WATER SYSTEM INSTL
SHEET 3	PART NO 169223 REV



- WATER-HTR  
145541-03-000
- DOOR  
125420-05-CHT
- SCREW  
G39-10-10U (16)
- CABLE ASM  
76767-03-000
- SCREW  
113563-01-CHT
- AL EXTR  
165959-51-002 (2)
- 165959-51-003 (2)
- FLANGE-WATER HEATER  
152239-02-CHT

- WATER-HTR  
145541-01-000
- DOOR  
125420-05-CHT
- SCREW  
G39-10-10U (16)
- CABLE ASM  
76767-03-000
- SCREW  
113563-01-CHT
- AL EXTR  
165959-51-002 (2)
- 165959-51-003 (2)
- FLANGE-WATER HEATER  
152239-02-CHT



FIRST USED	10 R40WD
TITLE	DO NOT SCALE DRAWING
TITLE	WATER SYSTEM INSTL
SHEET 4	PART NO 169223 REV
I 12/8/2009	

COVER-VALVE, BYPASS  
138618-03-CHT

SERVICE CENTER ASM  
157511-02-XXX

SERVICE CENTER ASM  
145207-15-XXX

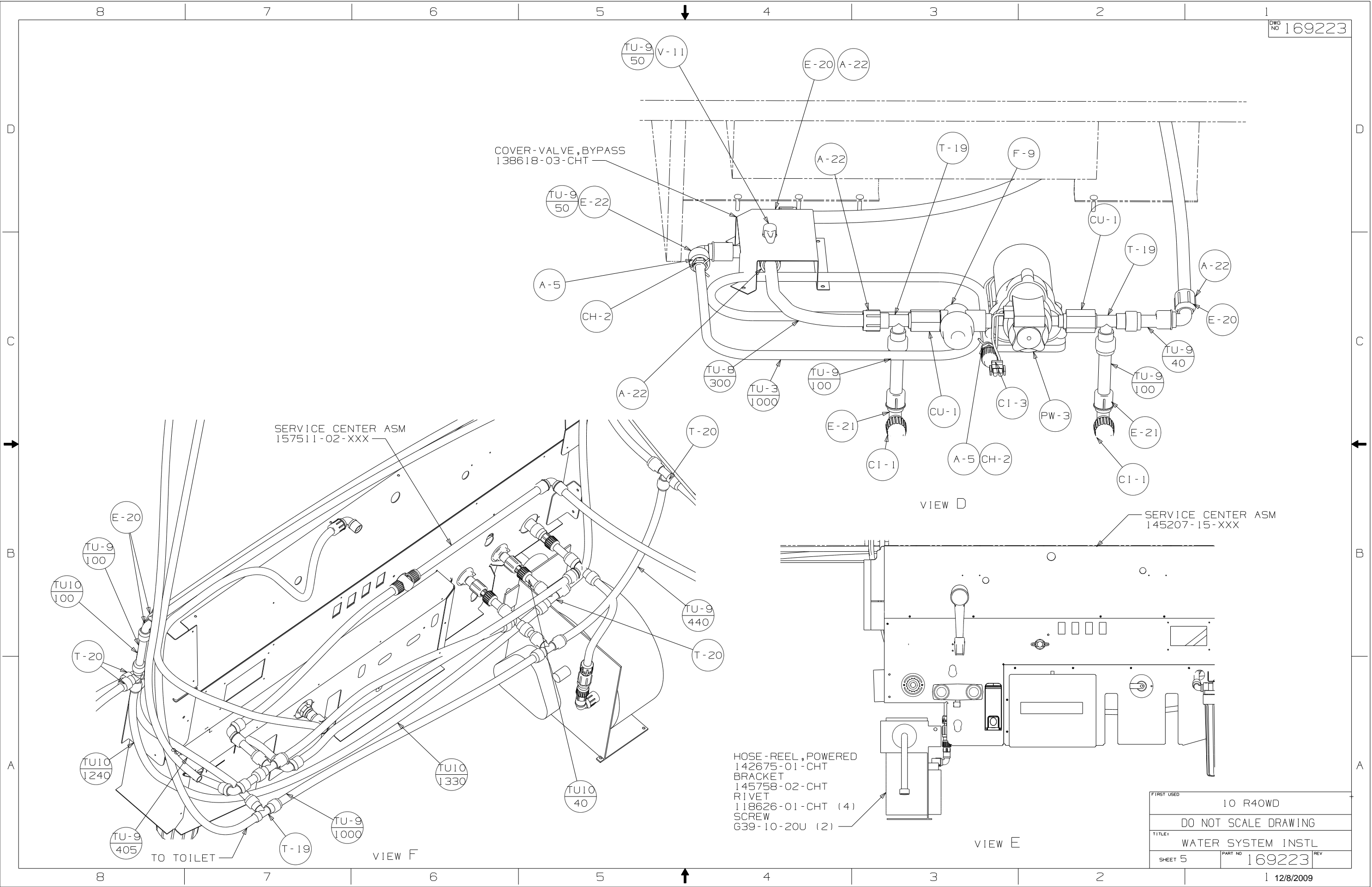
HOSE-REEL, POWERED  
142675-01-CHT  
BRACKET  
145758-02-CHT  
RIVET  
118626-01-CHT (4)  
SCREW  
639-10-20U (2)

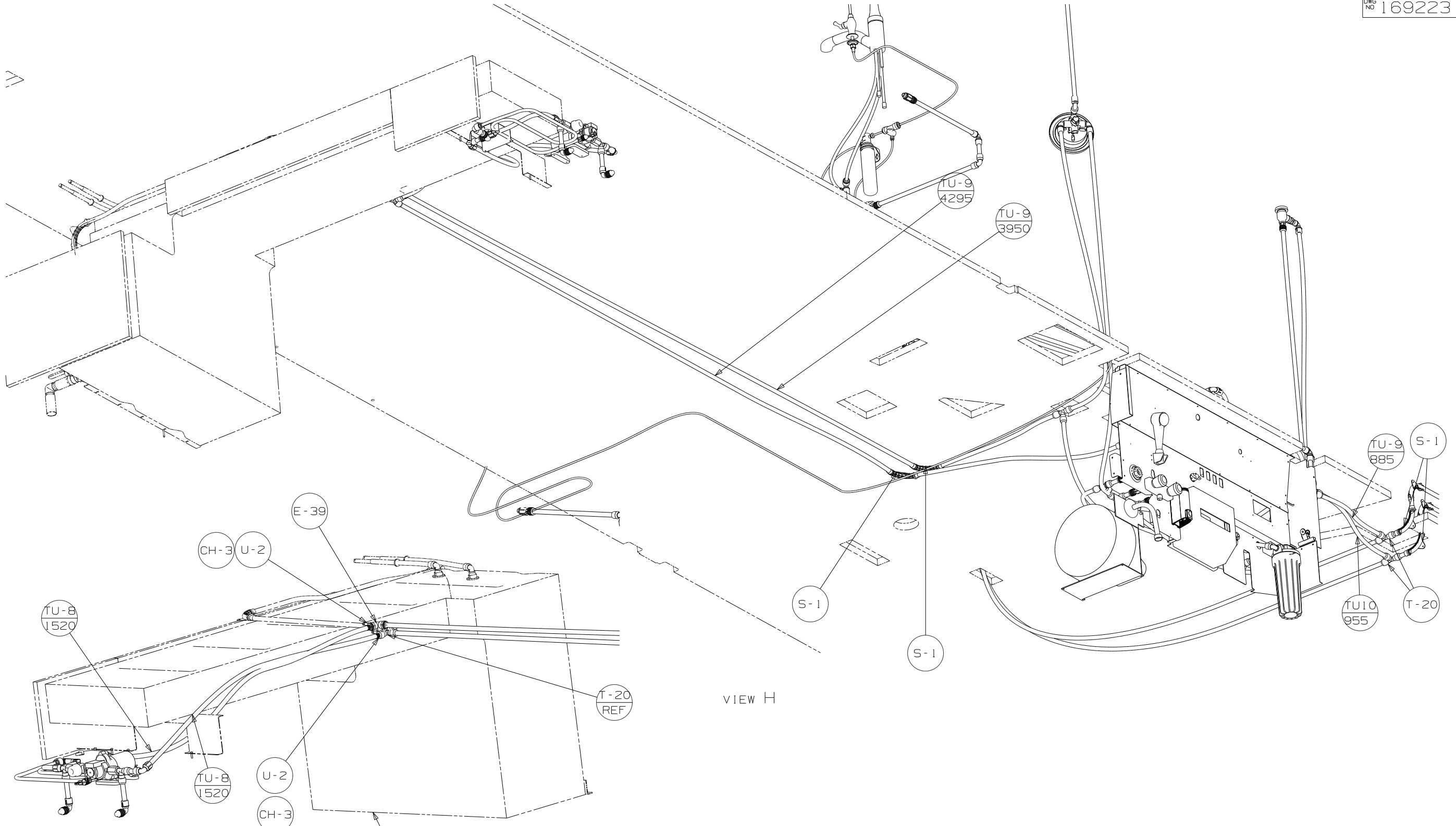
VIEW D

VIEW E

VIEW F

FIRST USED	10 R40WD
TITLE	DO NOT SCALE DRAWING
	WATER SYSTEM INSTL
SHEET 5	PART NO 169223





FIRST USED	10 R40WD	
TITLE	DO NOT SCALE DRAWING	
SHEET 6	PART NO	REV
	169223	