

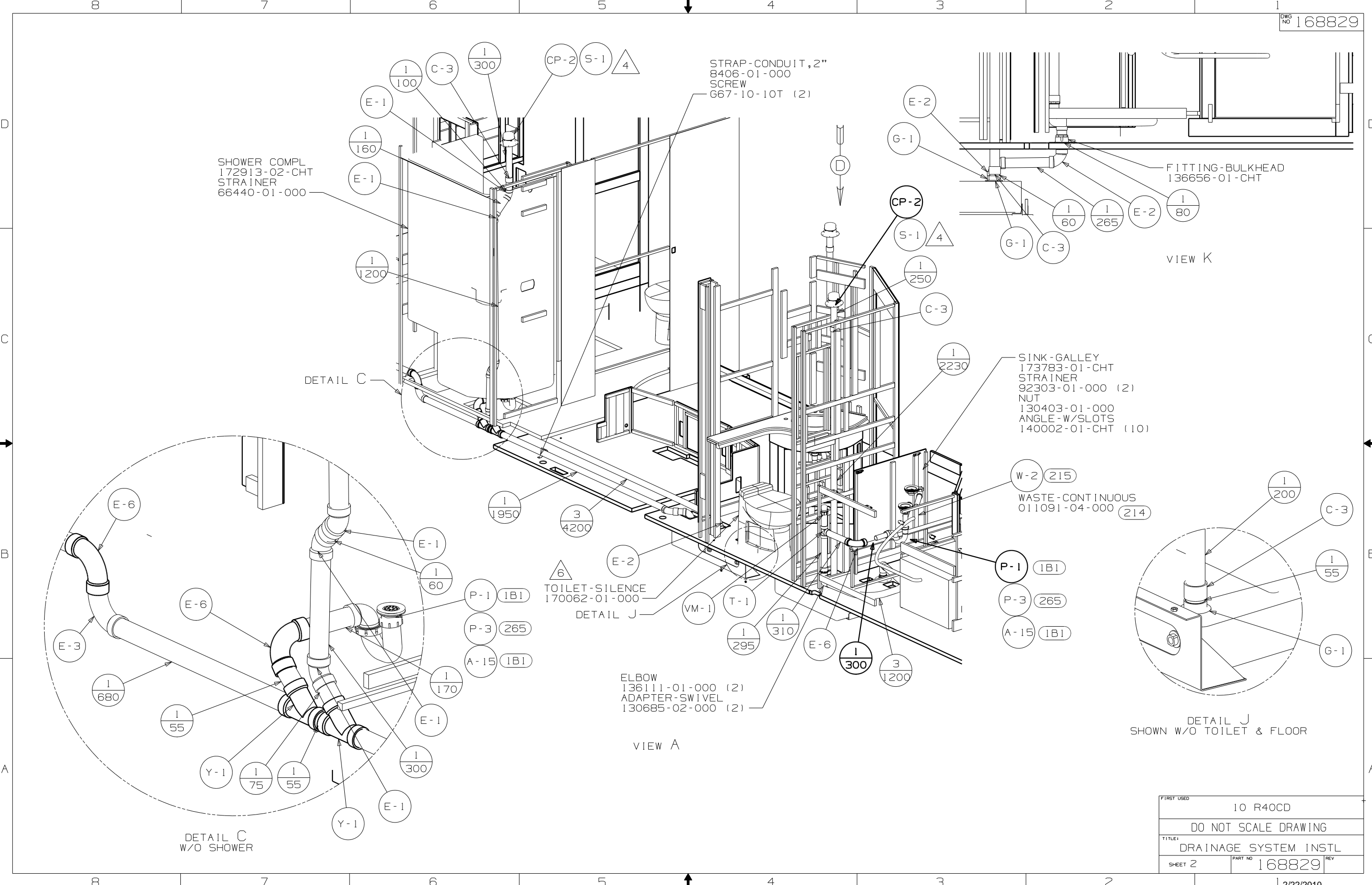
DETAIL L
(SHOWN WITHOUT COUNTER TOP)

- (22A) VACUUM SYS-CENTRAL-WITHOUT
- (22T) VACUUM SYSTEM-CENTRAL
- (21S) WASHER/DRYER STACKED
- (1B1) CODES/STANDARDS USA
- (265) CODES/STDS-CSA, CMVSS
- (54E) WASHER DRYER
- (21M) WASHER/DRYER PREP
- (214) DISHWASHER DRAWER STYLE
- (215) DISHWASHER WITHOUT

- NOTES:
- 6 FOLLOW TECMA TOILET WINTERIZATION PROCEDURE. REQUIRES 5 GALLONS OF RV ANTIFREEZE 157665-02-000 PER TOILET.
 - 5 SEAL AROUND SHOWER WITH SILICONE.
 - 4 VENT PIPE MUST PROTECT 51 MIN AND 64 MAX ABOVE ROOF FOR PROPER FIT AND FUNCTION.
 - 3 ALL PIPE AND FITTINGS TO BE ASSEMBLED WITH SOLVENT 4020-01-000 (US), 4020-02-000 (CAN).
 - 2 SLOPE OF TRAP ARM MUST BE 6 PER 305 mm.
 - 1 SLOPE OF HORIZONTAL PIPING TO BE MIN 3 PER 305 mm.

WINNEBAGO		COPYRIGHT 2010 WINNEBAGO INDUSTRIES, INC.	
DFTR	ORIG. DATE	ALL DIMENSIONS ARE IN MILLIMETERS	
CHKR		MATERIAL: 10 R40CD	
P.E.		UNSPECIFIED TOLERANCES ARE:	
M.E.	FIRST USED	WHOLE DIM (X.X)	: 3
DSNR		ONE-PLACE (X.X.X)	: 1.5
		TWO-PLACE (X.X.XX)	: 0.50
		ANGLE	: 1°
		THIRD ANGLE PROJECTION	
DO NOT SCALE DRAWING		REFER TO ES0018 FOR FASTENER TIGHTENING GUIDELINES	
TITLE: DRAINAGE SYSTEM INSTL			
SHEET 1 OF 4	PART NO	168829	REV
REF:	1/22/2010		

(X-X)
FOR DRAINAGE CALLOUTS SEE DWG NO 116229-01-000



SHOWER COMPL
172913-02-CHT
STRAINER
66440-01-000

STRAP-CONDUIT, 2"
8406-01-000
SCREW
667-10-10T (2)

FITTING-BULKHEAD
136656-01-CHT

VIEW K

SINK-GALLEY
173783-01-CHT
STRAINER
92303-01-000 (2)
NUT
130403-01-000
ANGLE-W/SLOTS
140002-01-CHT (10)

W-2 (215)
WASTE-CONTINUOUS
011091-04-000 (214)

TOILET-SILENCE
170062-01-000

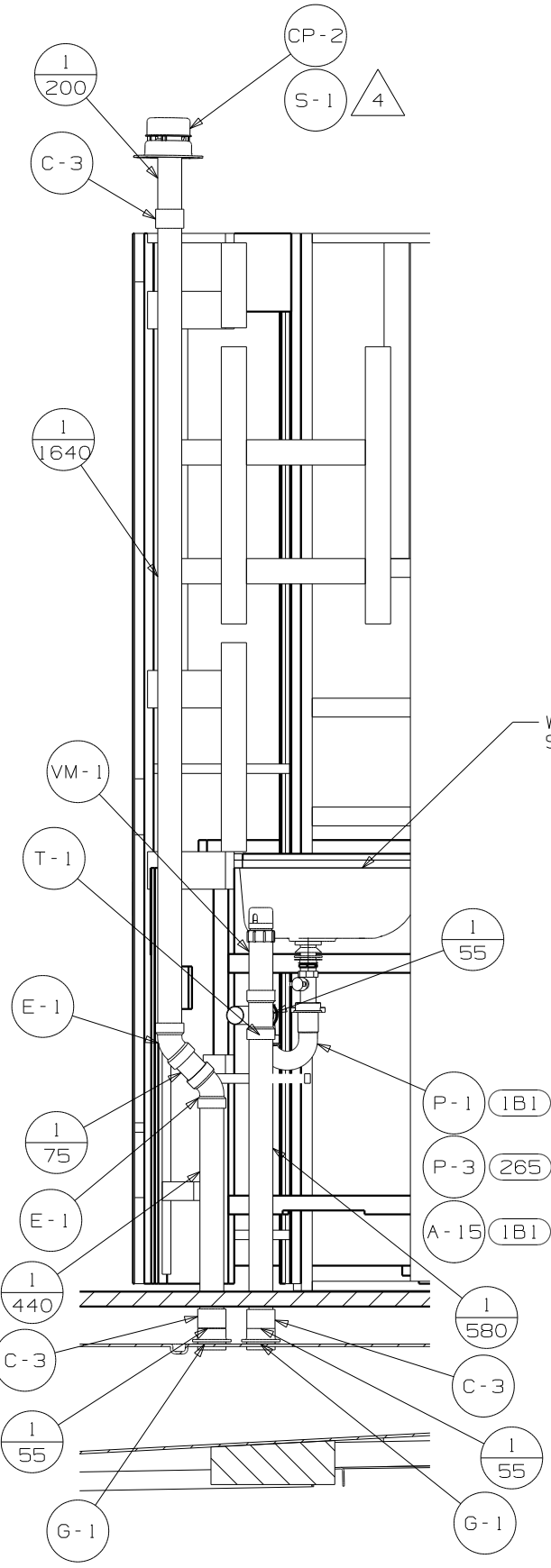
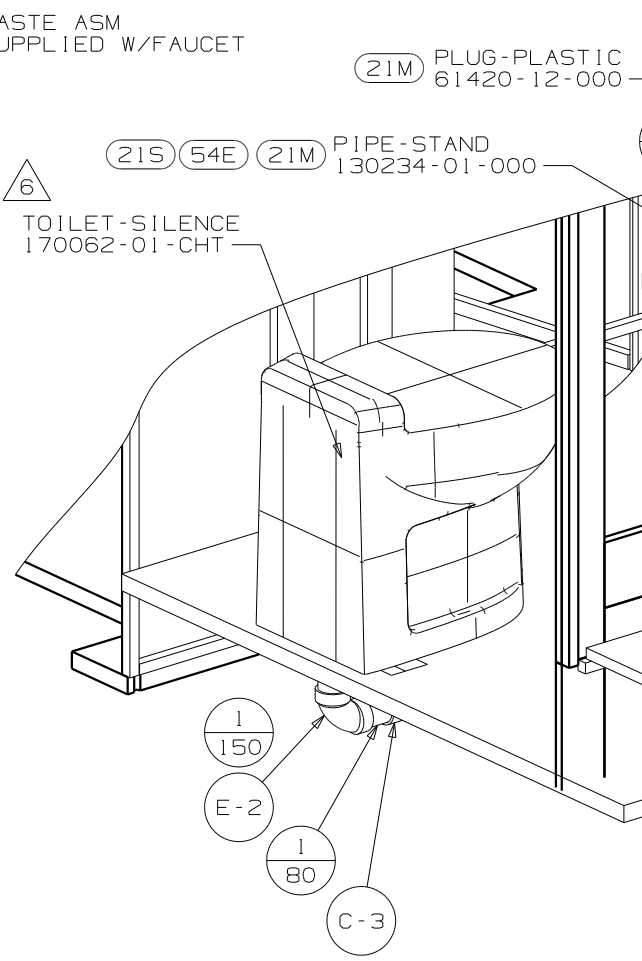
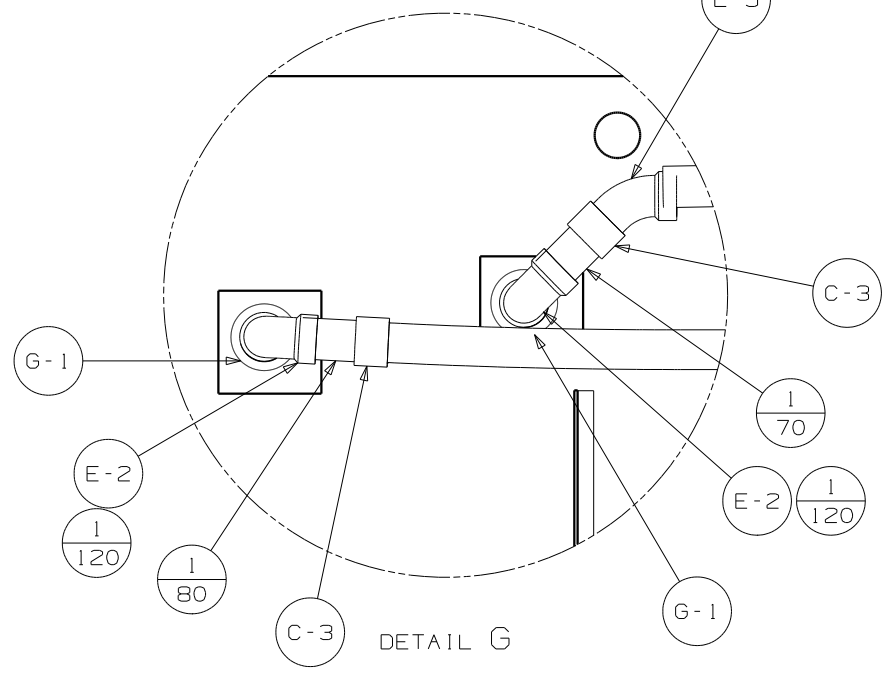
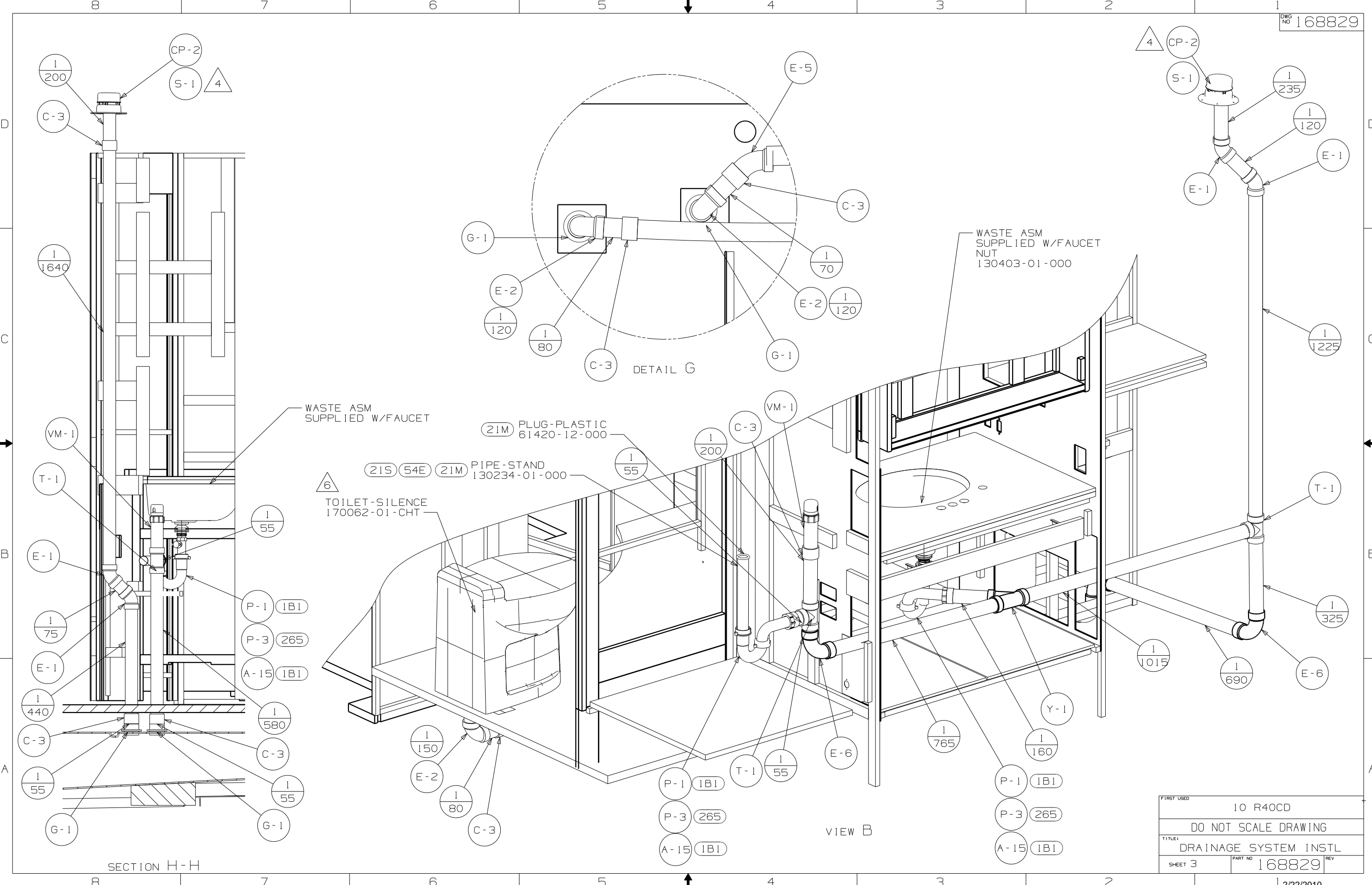
ELBOW
136111-01-000 (2)
ADAPTER-SWIVEL
130685-02-000 (2)

DETAIL J
SHOWN W/O TOILET & FLOOR

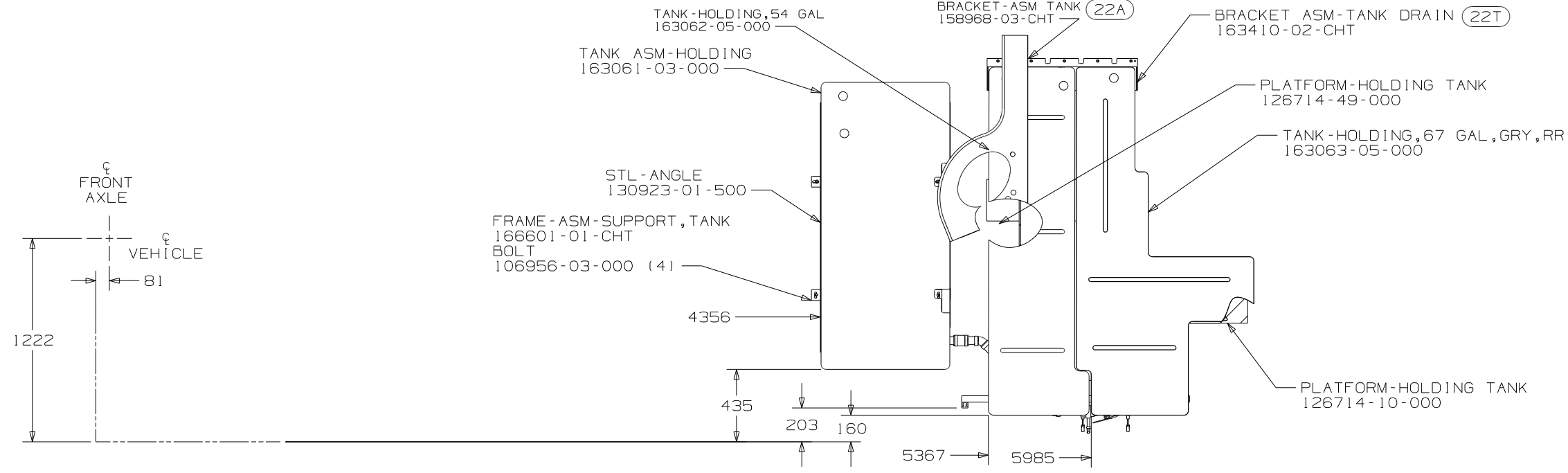
DETAIL C
W/O SHOWER

VIEW A

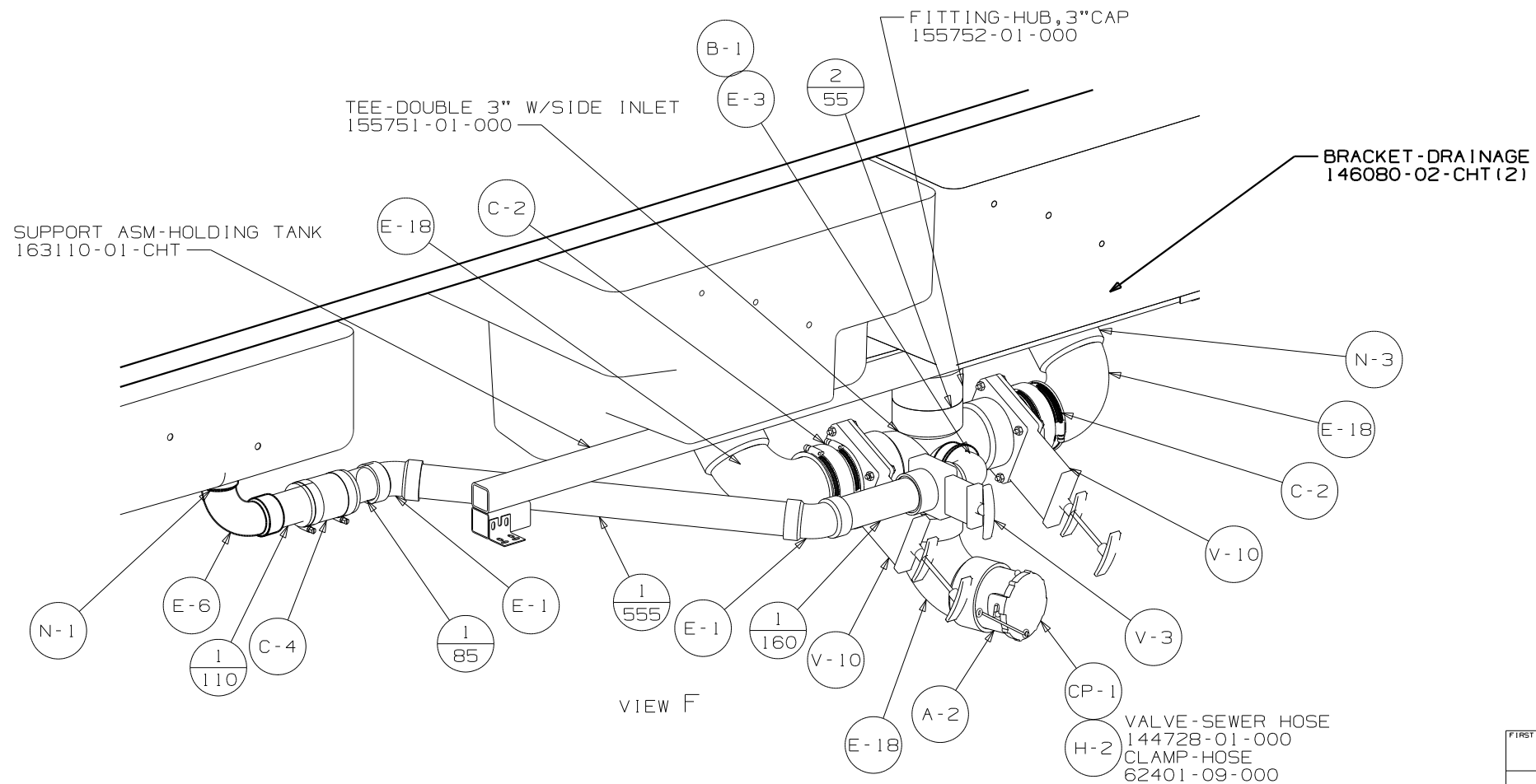
FIRST USED	10 R40CD
TITLE	DO NOT SCALE DRAWING DRAINAGE SYSTEM INSTL
SHEET 2	PART NO 168829 REV



FIRST USED		10 R40CD
TITLE:		DO NOT SCALE DRAWING
SHEET 3		DRAINAGE SYSTEM INSTL
PART NO		168829
REV		

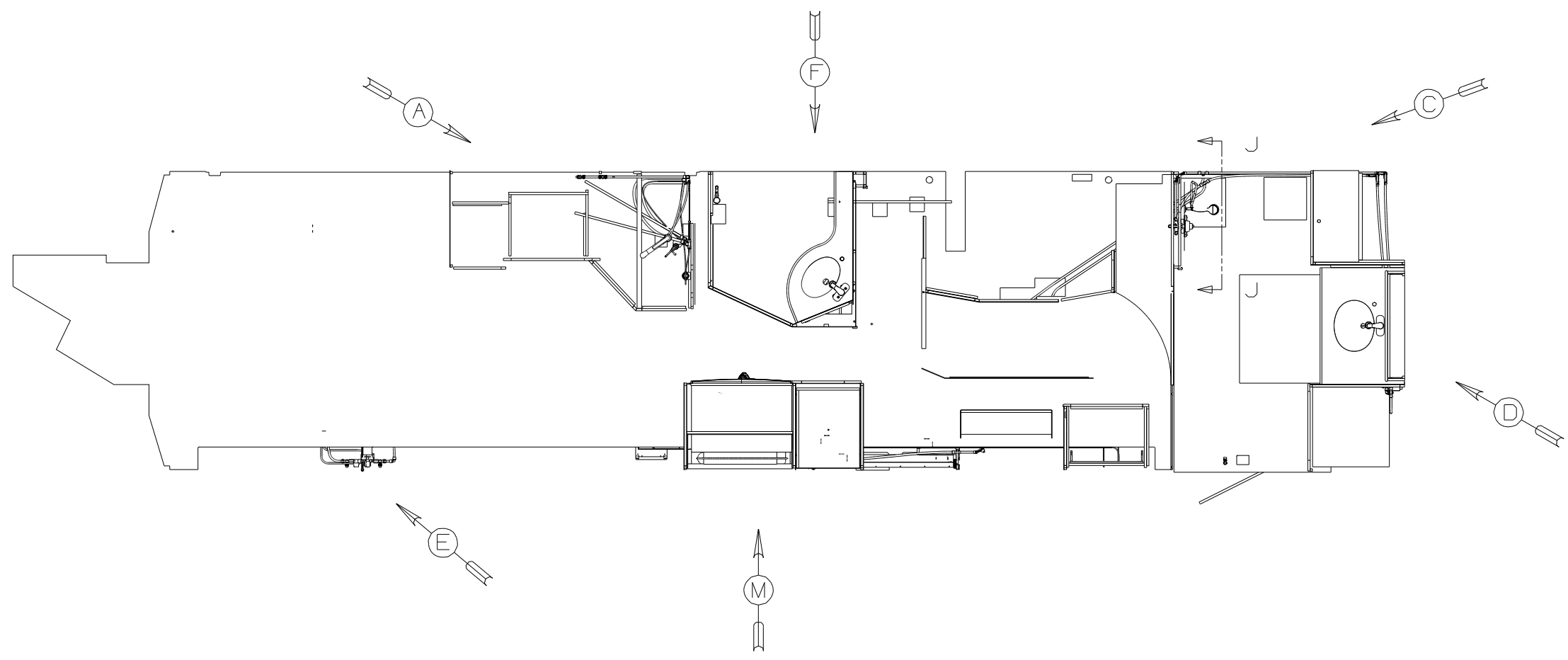


VIEW D
(SHOWN W/O CABINETS/FLOOR)



VIEW F

FIRST USED	10 R40CD	
TITLE	DO NOT SCALE DRAWING	
	DRAINAGE SYSTEM INSTL	
SHEET 4	PART NO 168829	REV



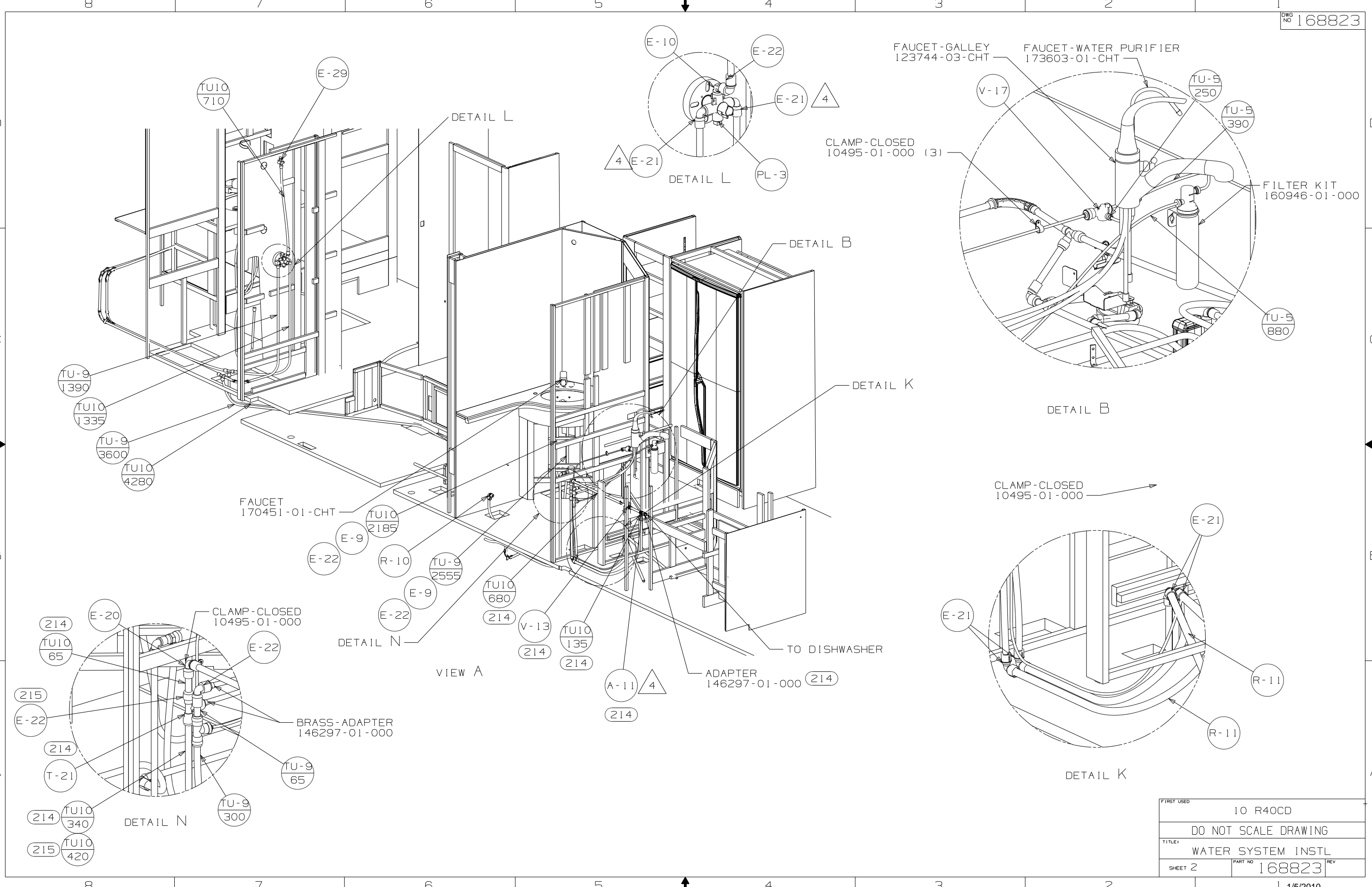
- (54E) WASHER/DRYER
- (21M) WASHER/DRYER PREP
- (214) DISHWASHER-DRAWER STYLE
- (215) DISHWASHER WITHOUT
- (505) HOSE REEL - WATER, POWERED

8. FOLLOW AQUA HOT TEST PROCEDURE- REQUIRES 5 GALLONS OF 157665-02-000 ANTIFREEZE FOR WINTERIZATION.
- 7 ADD PIPE WRAP (LADDER SCRAP 110157-02-000) INSULATION.
 - 6 ADD TEFLON TAPE 10405-03-000.
 - 5 ADD TEFLON TAPE 10405-02-000.
 - 4 ADD TEFLON TAPE 10405-01-000.
- 3. ALL TUBING TO BE SECURED AT 1200 INTERVALS MAXIMUM WITH CLAMP 10495-01-000 AND SCREW G67-10-12B OR EQUIVALENT.
 - 2. TUBING TO BE INSTALLED WITH SUFFICIENT SLOPE TO PROVIDE DRAINAGE TO NEAREST VALVE.
 - 1. PLASTIC FITTINGS TO BE SEALED WITH SEALANT 84456-01-000.

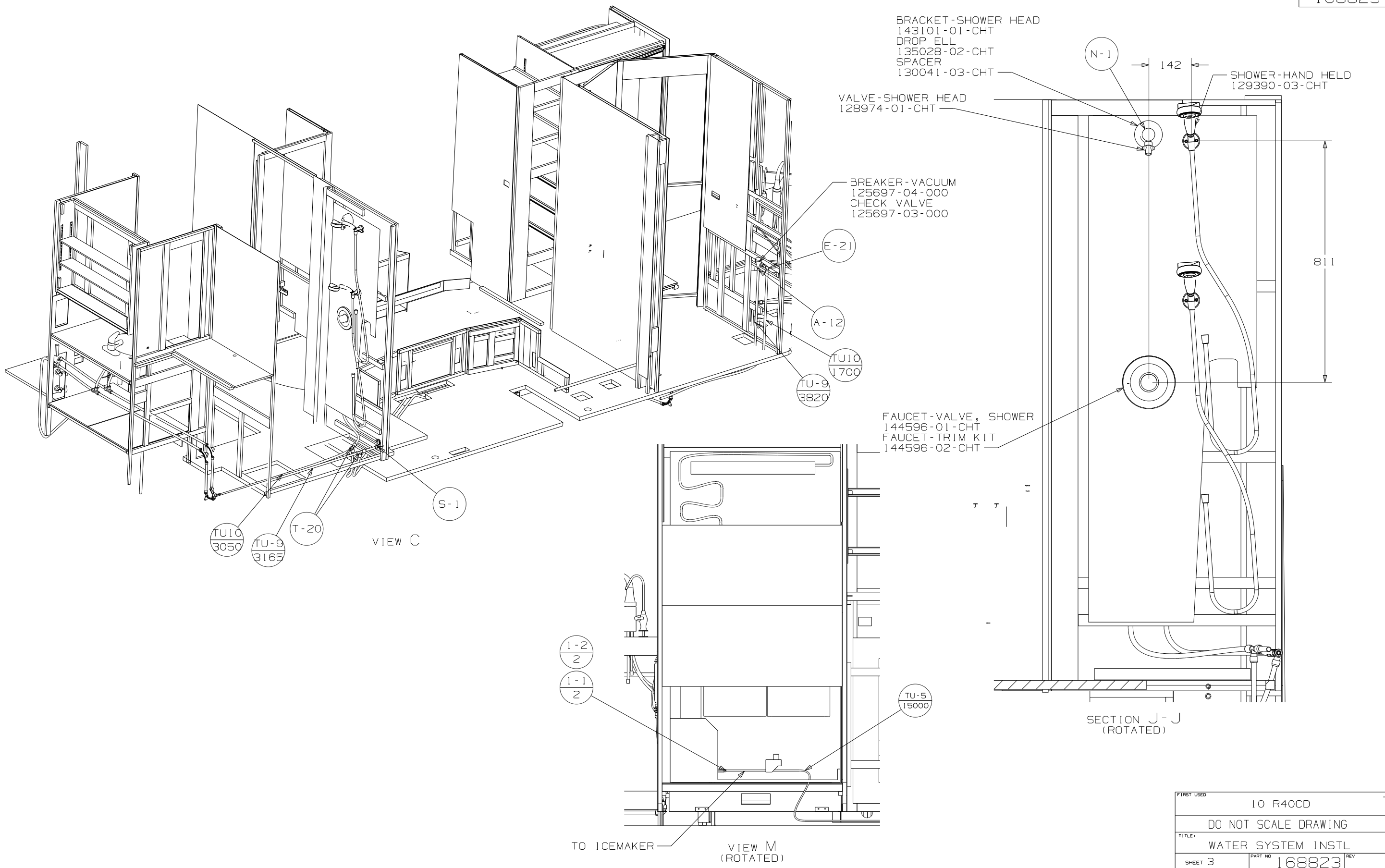
NOTES:

WINNEBAGO		COPYRIGHT 2010 WINNEBAGO INDUSTRIES, INC.	
D/FR	ORIG. DATE	ALL DIMENSIONS ARE IN MILLIMETERS	
CHKR		FIRST USED	
P.E.		10 R40CD	
M.E.		UNSPECIFIED TOLERANCES ARE:	
DSNR		MATERIAL:	
		WHOLE DIM (X)	: 3
		ONE-PLACE (X.X)	: 1.5
		TWO-PLACE (X.XX)	: 0.50
		ANGLE	: 1°
THIRD ANGLE PROJECTION			
DO NOT SCALE DRAWING			
TITLE: WATER SYSTEM INSTL			
SHEET 1 OF 5	PART NO	168823	REV

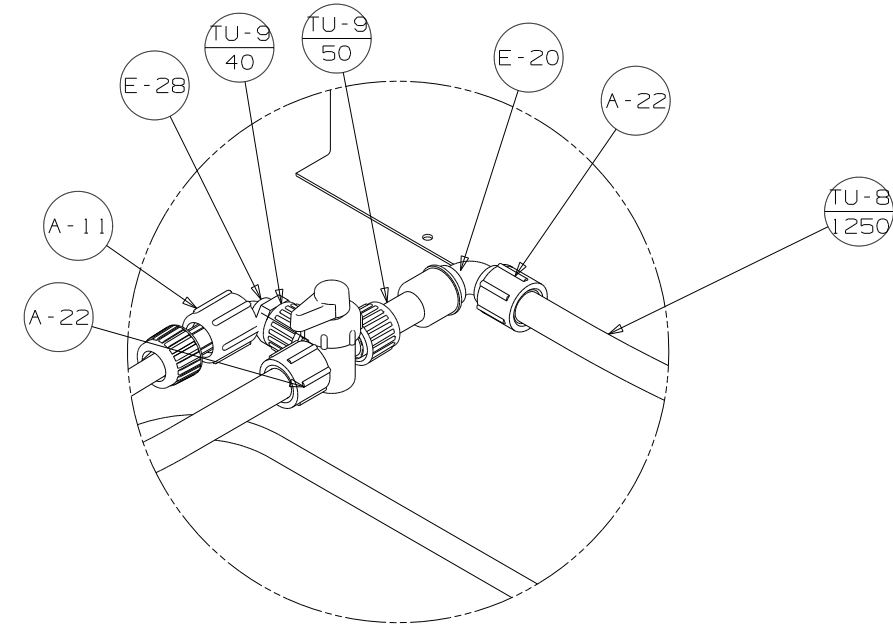
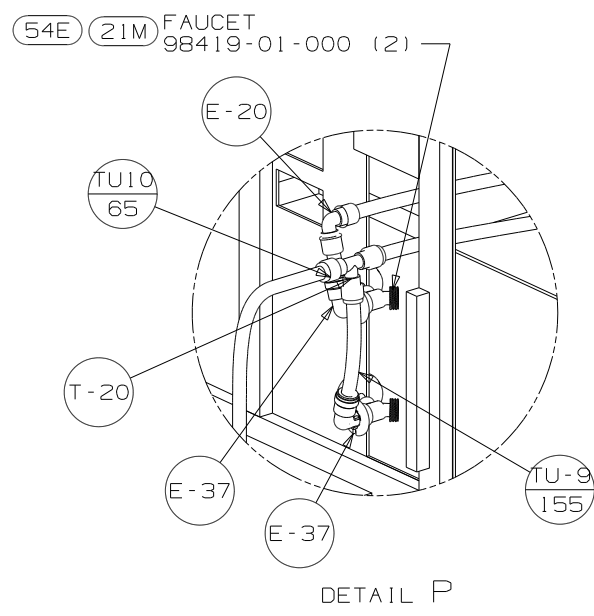
(X-X)
FOR
WATER
CALLOUTS
SEE DWG NO
116230-01-000



FIRST USED	10 R40CD		
TITLE:	DO NOT SCALE DRAWING		
	WATER SYSTEM INSTL		
SHEET 2	PART NO	168823	REV

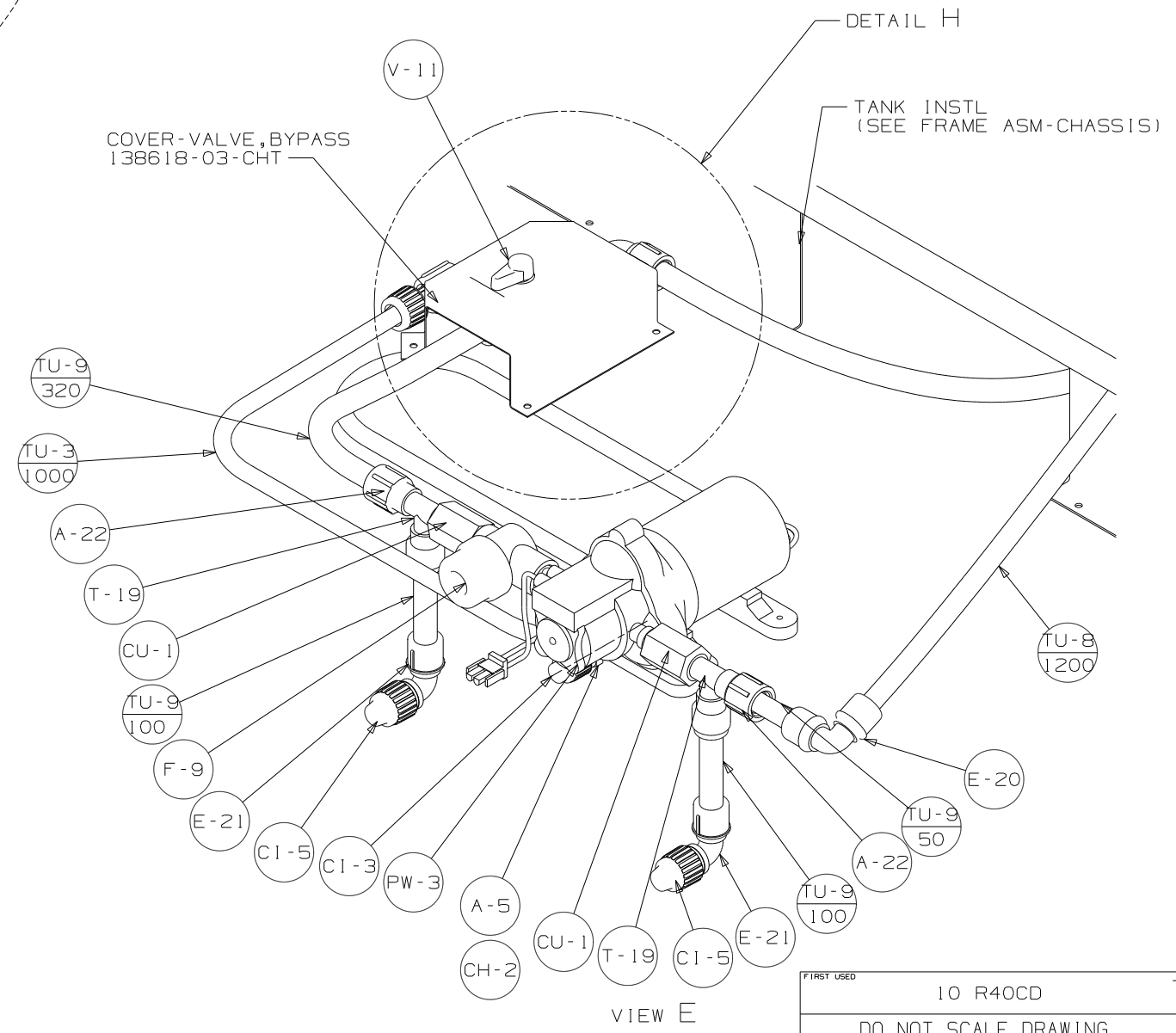
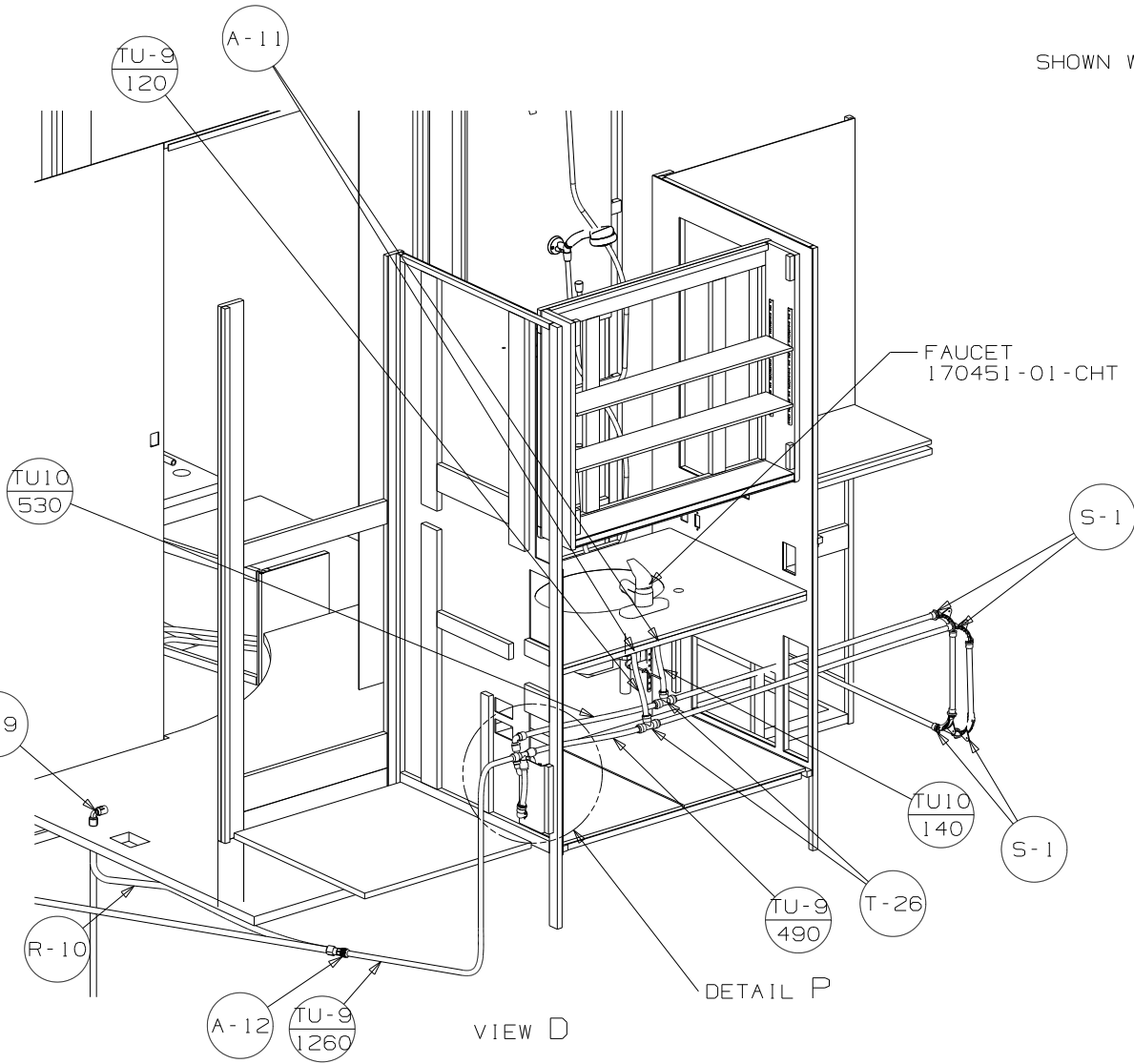


FIRST USED	10 R40CD
TITLE:	DO NOT SCALE DRAWING
	WATER SYSTEM INSTL
SHEET 3	PART NO 168823 REV

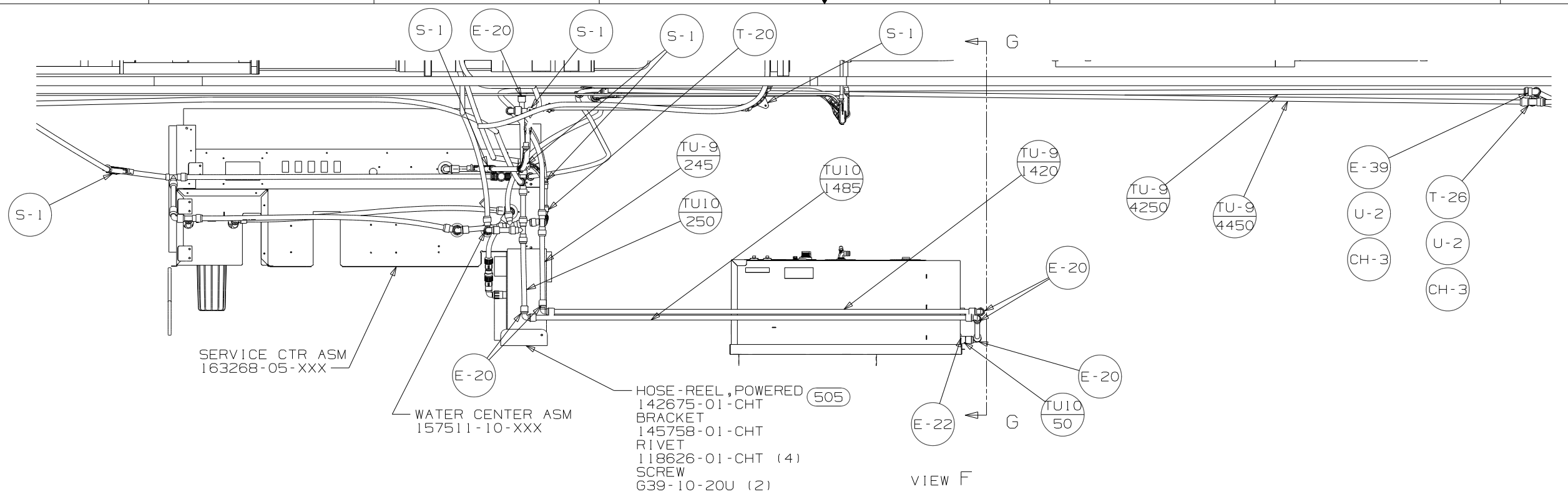


DETAIL H SHOWN W/O COVER & TANK

COVER-VALVE, BYPASS 138618-03-CHT

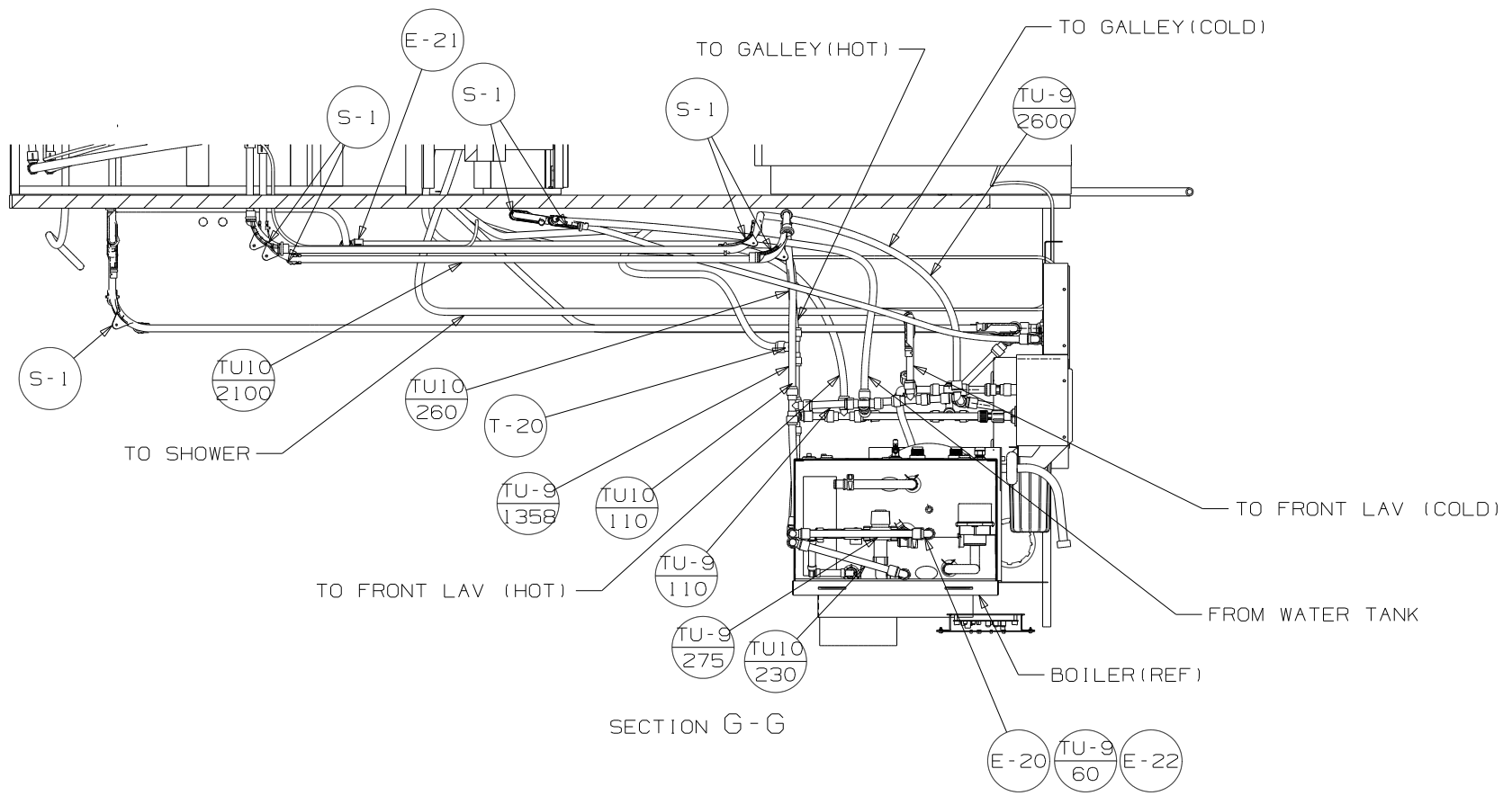


FIRST USED	10 R40CD
TITLE	DO NOT SCALE DRAWING
TITLE	WATER SYSTEM INSTL
SHEET 4	PART NO 168823 REV



HOSE - REEL, POWERED
 142675-01-CHT (505)
 BRACKET
 145758-01-CHT
 RIVET
 118626-01-CHT (4)
 SCREW
 G39-10-20U (2)

VIEW F



SECTION G-G

FIRST USED	10 R40CD	
TITLE:	DO NOT SCALE DRAWING	
SHEET 5	PART NO	168823
	REV	