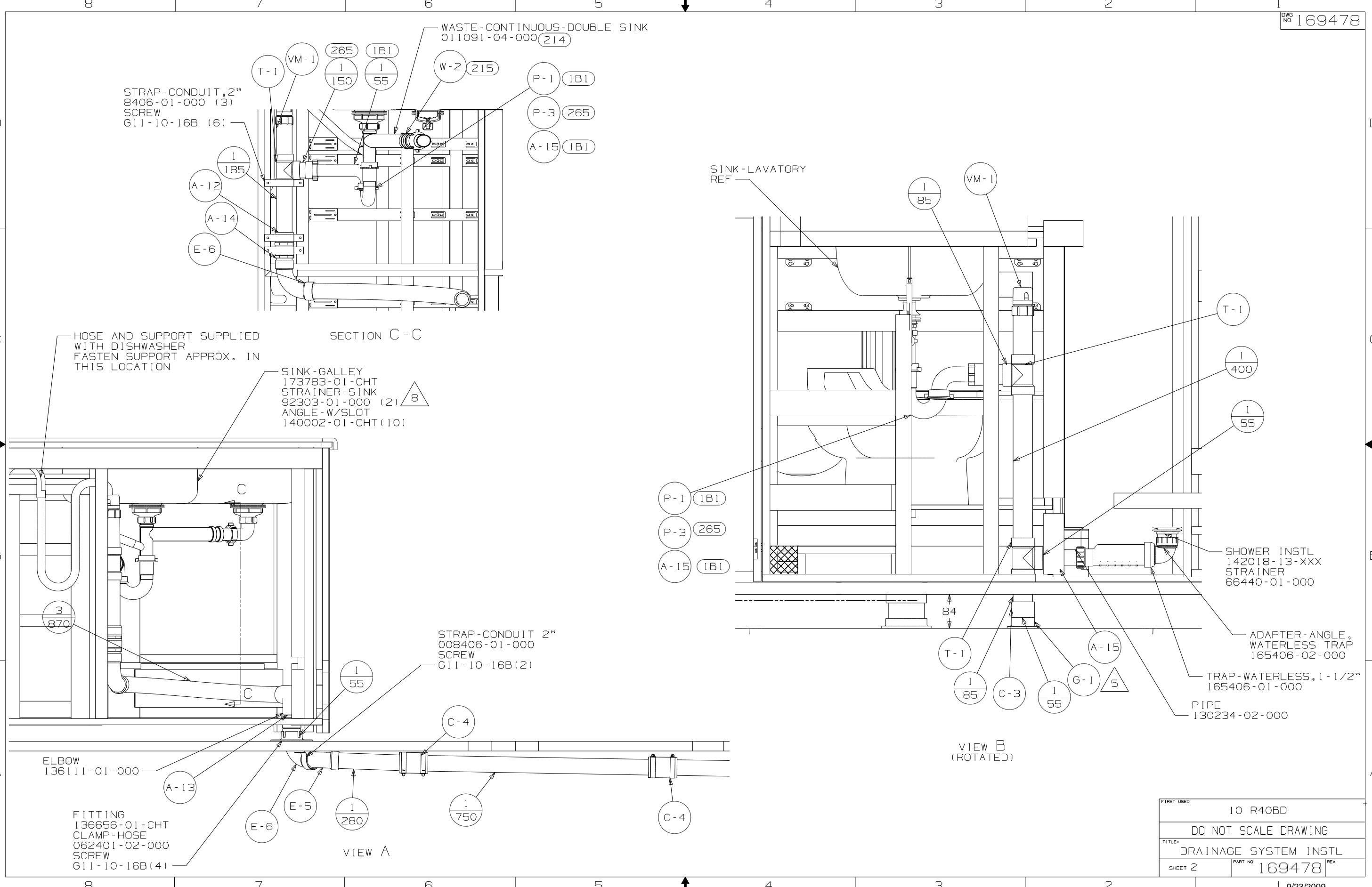


- (215) DISHWASHER WITHOUT
- (214) DISHWASHER DRAWER STYLE
- (430) TOILET-PORCELAIN
- (54E) WASHER/DRYER\_COMBO
- (265) CODES/STANDARDS-CSA/CMVSS
- (21M) WASHER/DRYER PREP
- (1B1) CODES/STANDARDS USA

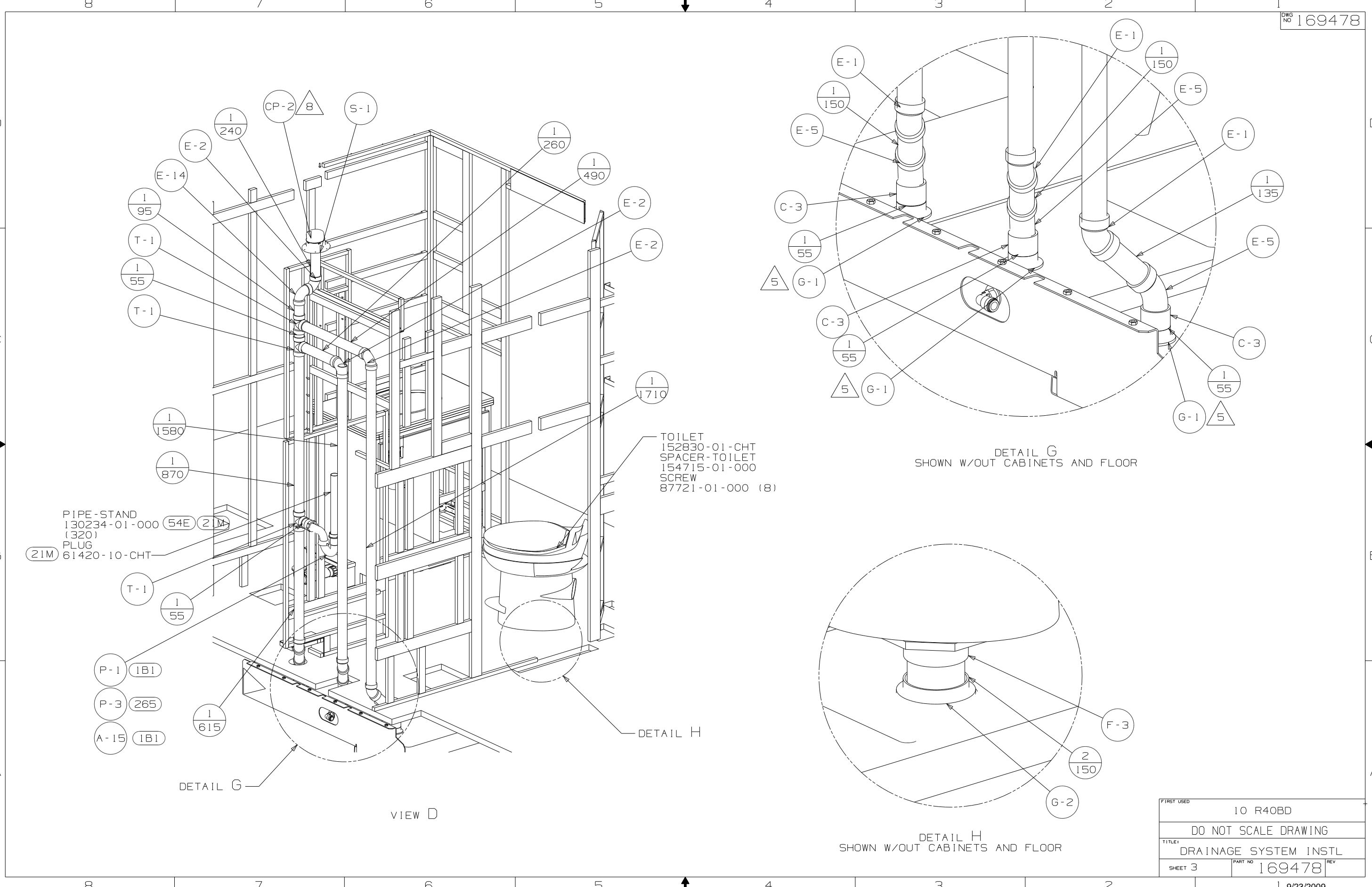
- NOTES:
1. SLOPE OF HORIZONTAL PIPING TO BE 6 PER 305 mm.
  2. SLOPE OF TRAP ARM MUST BE 6 PER 305.
  3. ALL PIPE AND FITTINGS TO BE ASSEMBLED WITH SOLVENT 4020-01-000.
  4. VENT PIPE MUST PROJECT 51 MIN AND 64 MAX. ABOVE ROOF FOR PROPER FIT AND FUNCTION.
  5. SECURE VENT TUBES TO FLOOR WITH BRACKET.
  6. SEAL ALL AROUND SHOWER WITH SILICONE.
  7. SEE DWG 61607-01-000 FOR INSTL OF GROMMETS.
  8. USE SMOOTH PLUMBERS PUTTY 167459-01-000 TO SEAL STRAINER (.2 PER STRAINER)

FOR  
DRAINAGE  
CALLOUTS  
SEE DWG NO  
116229-01-000

<b>WINNEBAGO</b>		COPYRIGHT 2009 WINNEBAGO INDUSTRIES, INC.	
DFT	ORIG. DATE	ALL DIMENSIONS ARE IN MILLIMETERS	
CHKR		FIRST USED	
P.E.		10 R40BD	
M.E.		UNSPECIFIED TOLERANCES ARE:	
DSNR		MATERIAL:	
		WHOLE DIM (X) :	3
		ONE-PLACE (X.X) :	
		TWO-PLACE (X.XX) :	
		ANGLE :	
THIRD ANGLE PROJECTION		DO NOT SCALE DRAWING	
TITLE: DRAINAGE SYSTEM INSTL			
SHEET 1 OF 4	PART NO	169478	REV
REF:	1 9/23/2009		



FIRST USED	10 R40BD	
TITLE	DO NOT SCALE DRAWING	
TITLE	DRAINAGE SYSTEM INSTL	
SHEET 2	PART NO	169478
REV		



TOILET  
 152830-01-CHT  
 SPACER-TOILET  
 154715-01-000  
 SCREW  
 87721-01-000 (8)

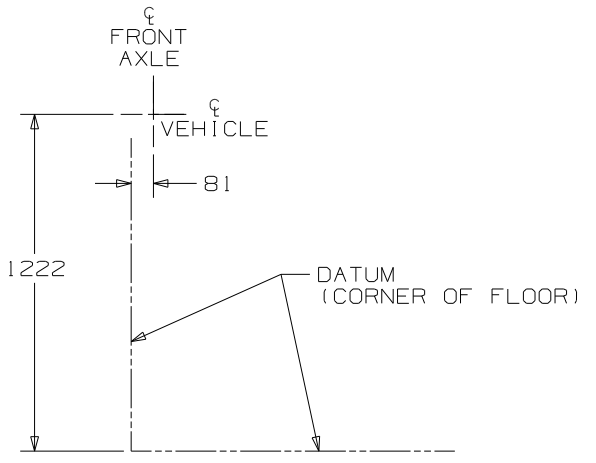
PIPE-STAND  
 130234-01-000 (54E) (2IM)  
 (320)  
 PLUG  
 61420-10-CHT (2IM)

DETAIL G  
 SHOWN W/OUT CABINETS AND FLOOR

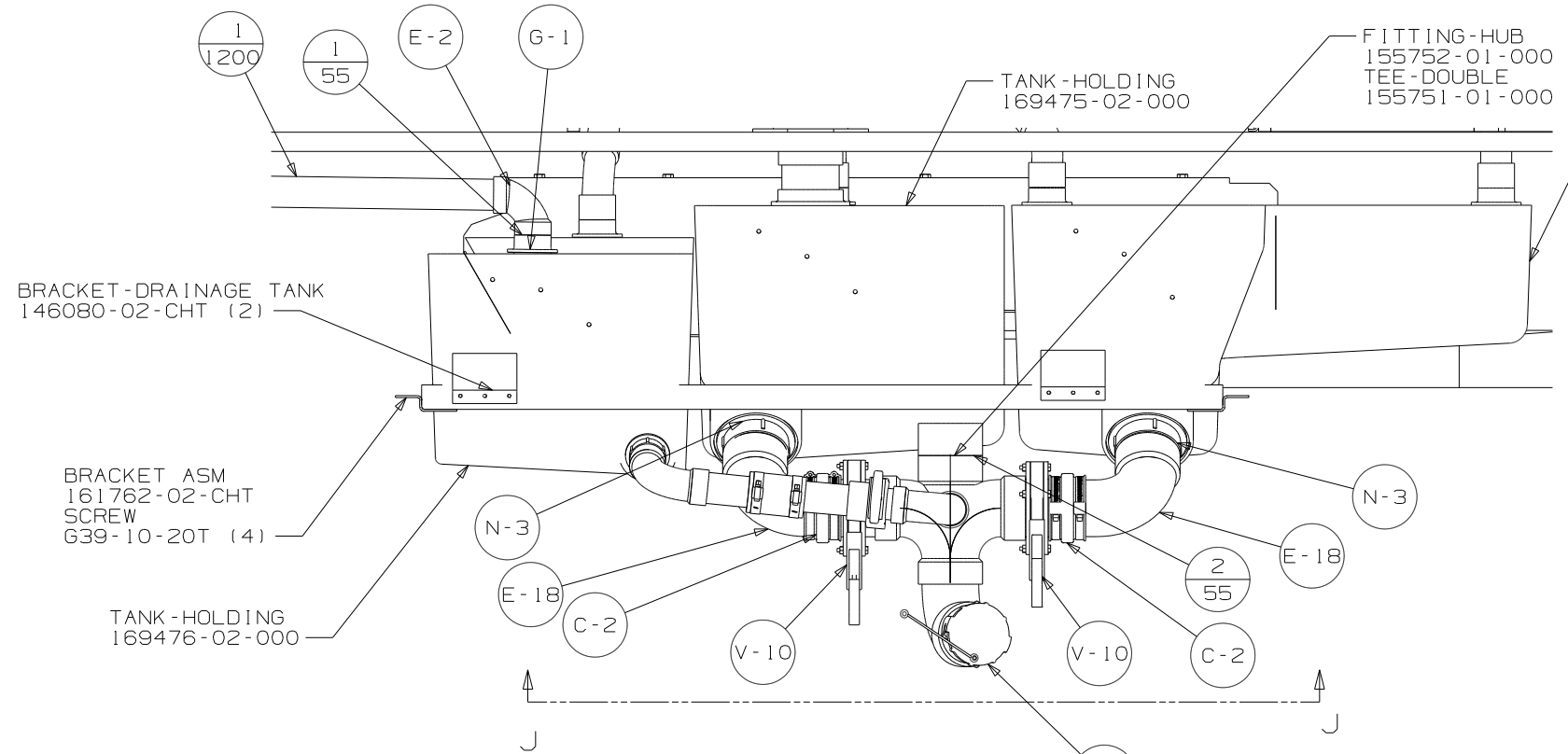
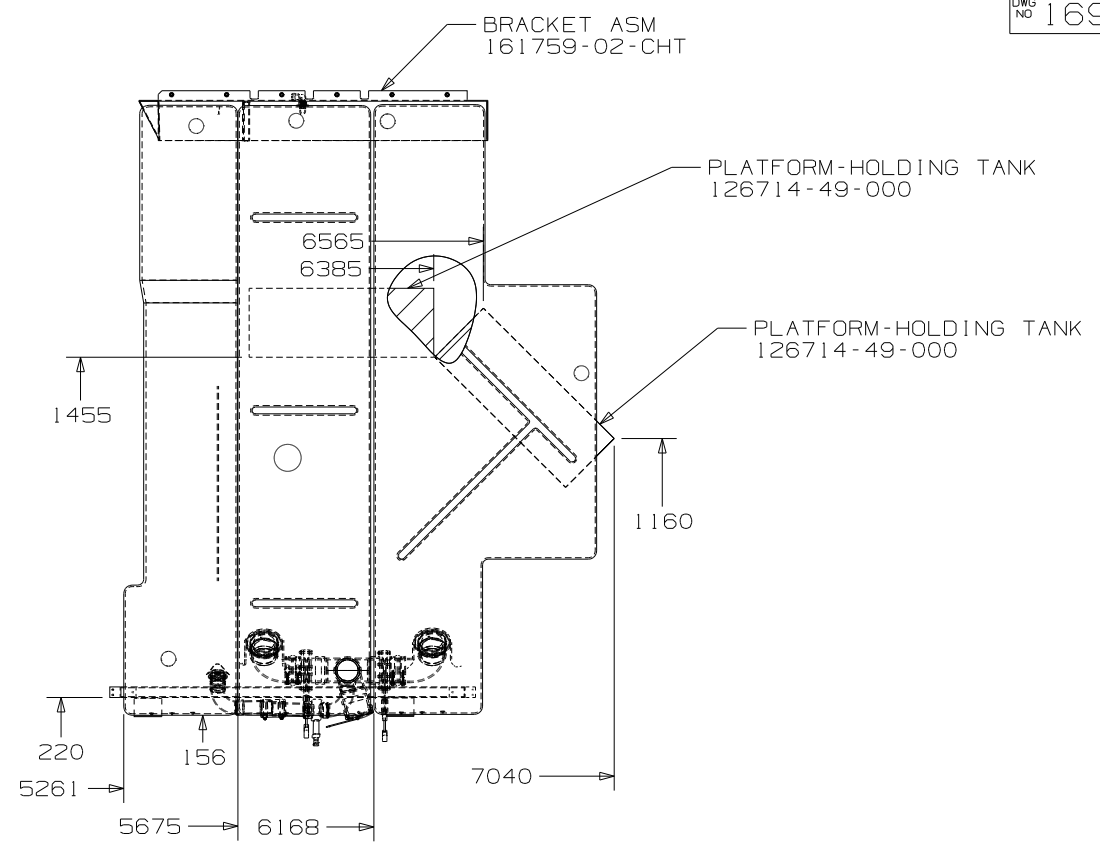
DETAIL H  
 SHOWN W/OUT CABINETS AND FLOOR

VIEW D

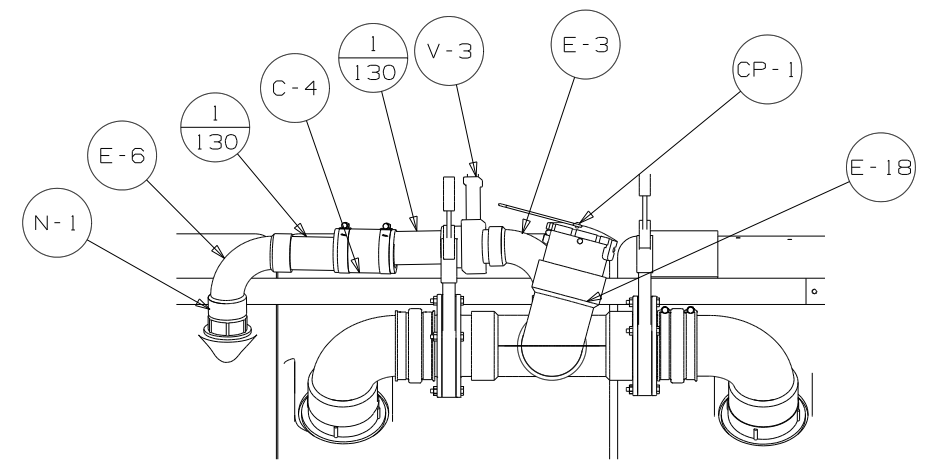
FIRST USED	10 R40BD
DO NOT SCALE DRAWING	
TITLE	DRAINAGE SYSTEM INSTL
SHEET 3	PART NO 169478 REV



VIEW E (TOP VIEW)

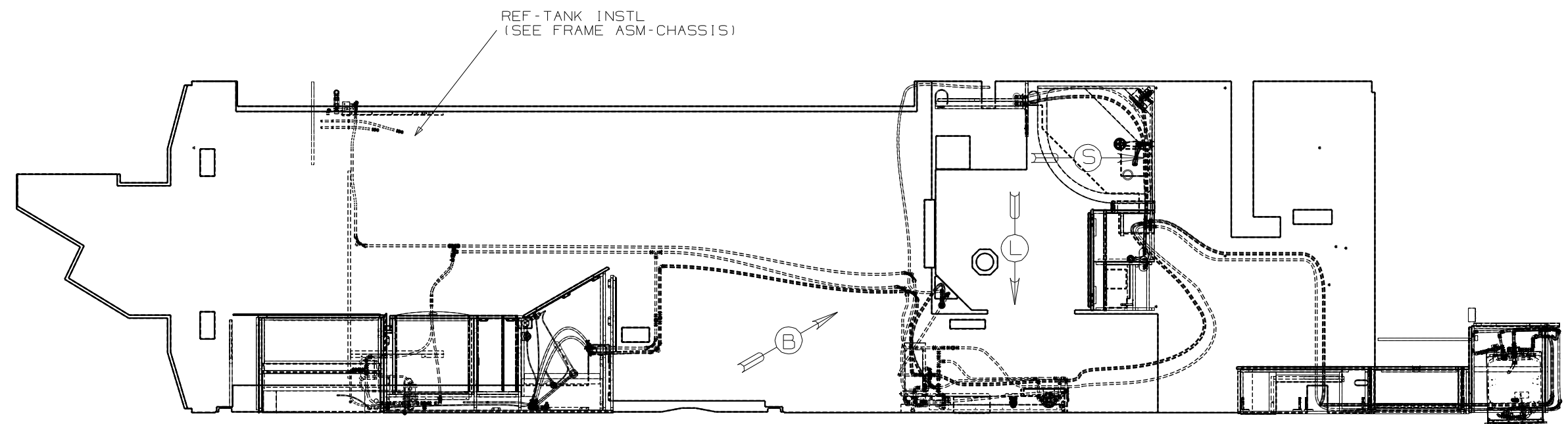


VIEW F



SECTION J-J

FIRST USED	10 R40BD
TITLE	DO NOT SCALE DRAWING
	DRAINAGE SYSTEM INSTL
SHEET 4	PART NO 169478 REV

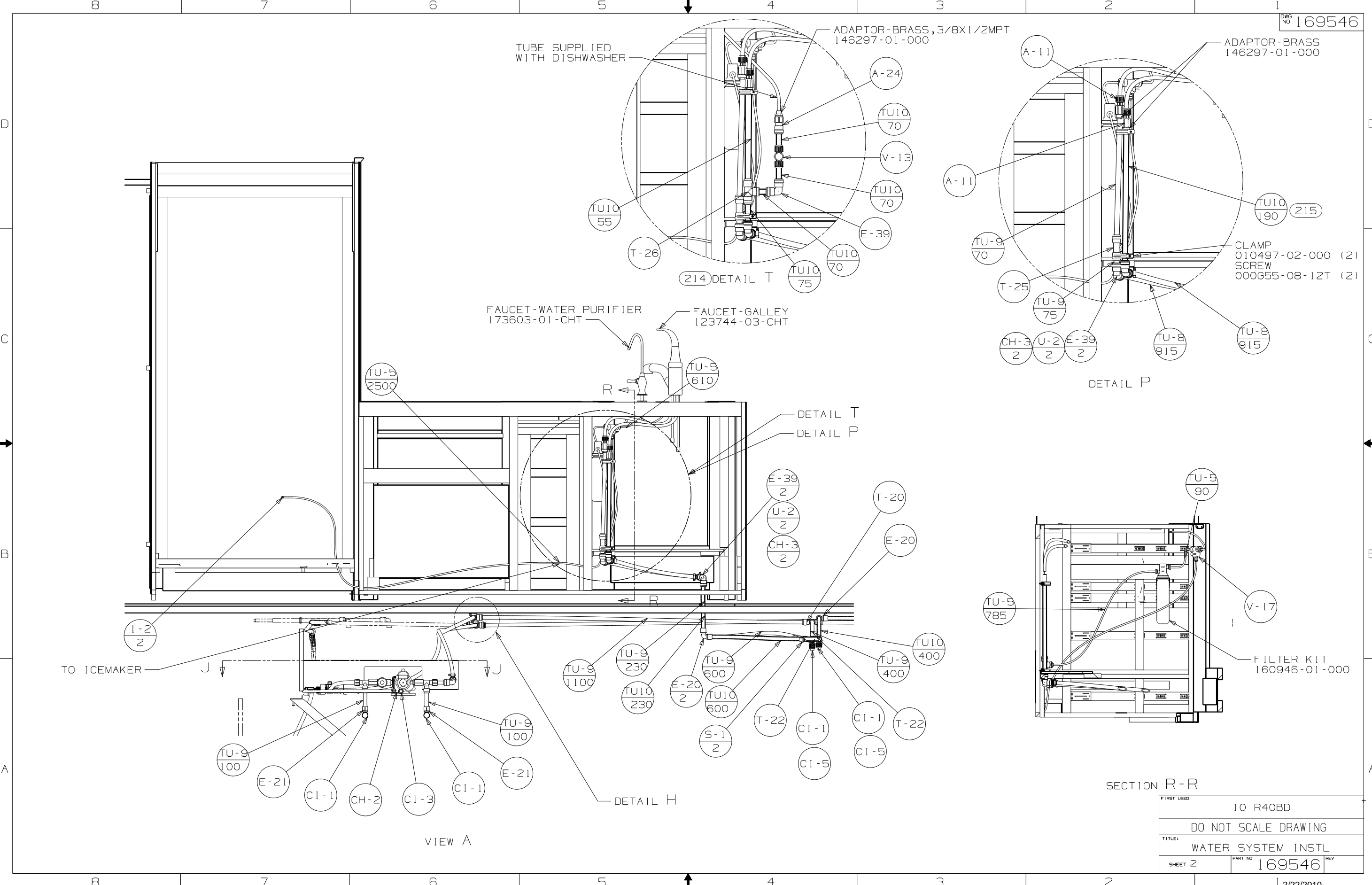


- (1BW) WTR HTR-10GL/16OUTPUT/MTR AID
- (1B2) WTR HTR-10GL/ELEC/LP/MTR AID
- (54E) WASHER/DRYER\_COMBO
- (505) WATER SUPPLY HOSE W/REEL
- (215) DISHWASHER WITHOUT
- (214) DISHWASHER DRAWER STYLE
- (21M) WASHER/DRYER PREP

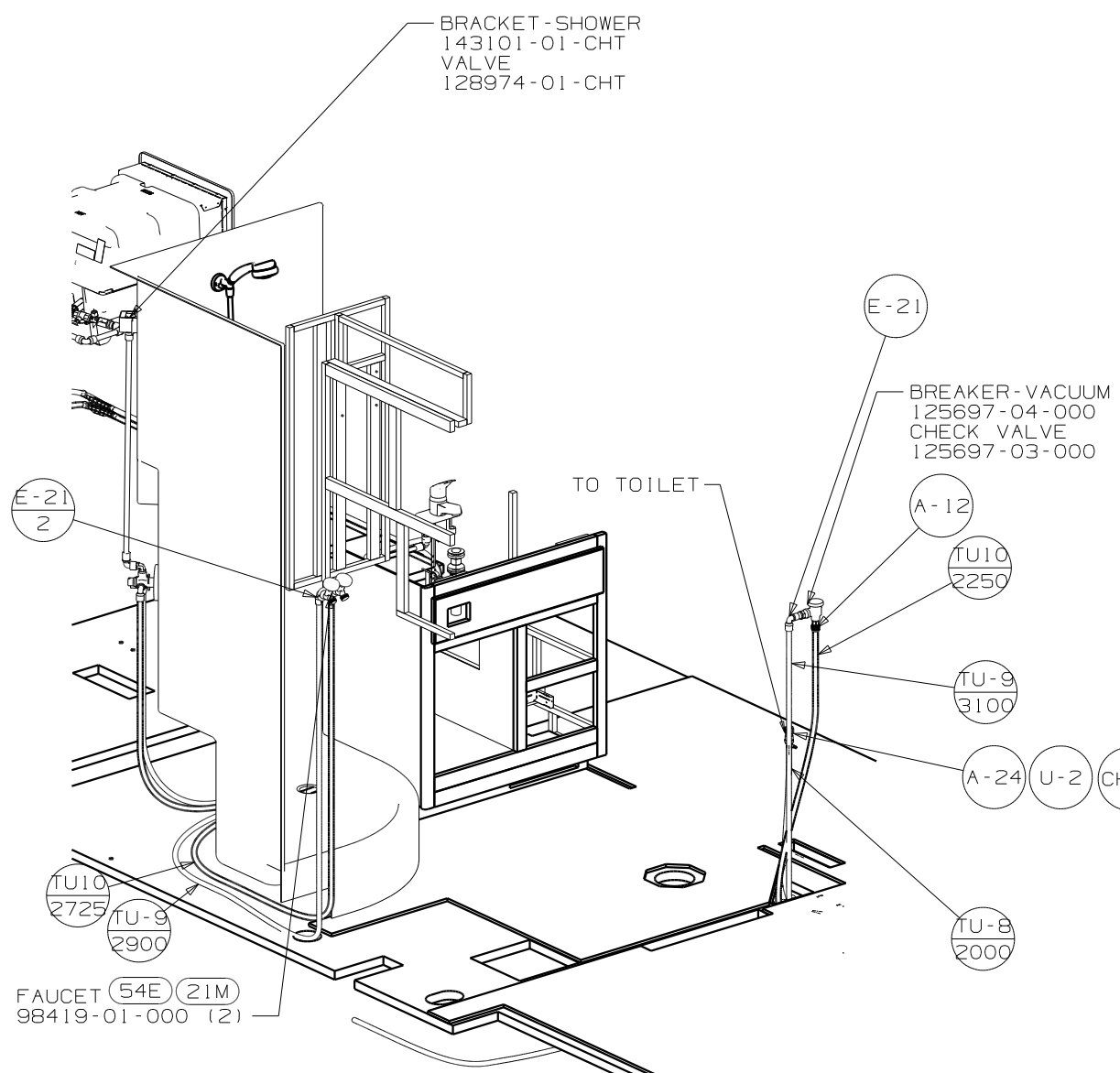
- NOTES:
- 7 ADD PIPE WRAP (LADDER SCRAP 110157-02-000) INSULATION.
  - 6 ADD TEFLON TAPE 10405-03-000.
  - 5 ADD TEFLON TAPE 10405-02-000.
  - 4 ADD TEFLON TAPE 10405-01-000.
3. ALL TUBING TO BE SECURED AT 1200 INTERVALS MAXIMUM WITH CLAMP 10495-01-000 AND SCREW G67-10-12B OR EQUIVALENT.
2. TUBING TO BE INSTALLED WITH SUFFICIENT SLOPE TO PROVIDE DRAINAGE TO NEAREST VALVE.
1. PLASTIC FITTINGS TO BE SEALED WITH SEALANT 84456-01-000.

<b>WINNEBAGO</b>		COPYRIGHT 2010 WINNEBAGO INDUSTRIES, INC.	
DFTR	ORIG. DATE	ALL DIMENSIONS ARE IN MILLIMETERS	
CHKR		FIRST USED	
P.E.		10 R40BD	
M.E.		UNSPECIFIED TOLERANCES ARE:	
DSNR		WHOLE DIM (X) : 3	
		ONE-PLACE (X.X) : 1.5	
		TWO-PLACE (X.XX) : 0.50	
		ANGLE : 1°	
THIRD ANGLE PROJECTION		MATERIAL:	
DO NOT SCALE DRAWING		REFER TO ES0018 FOR FASTENER TIGHTENING GUIDELINES	
TITLE: WATER SYSTEM INSTL			
SHEET 1 OF 6	PART NO	169546	REV
REF:	1/22/2010		

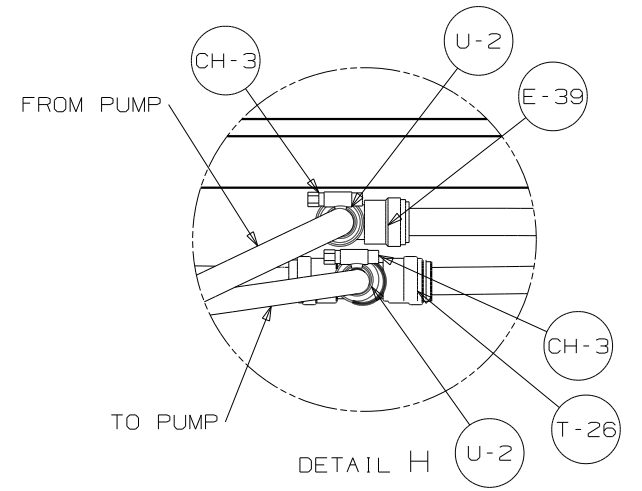
(X-X)  
FOR  
WATER  
CALLOUTS  
SEE DWG NO  
116230-01-000



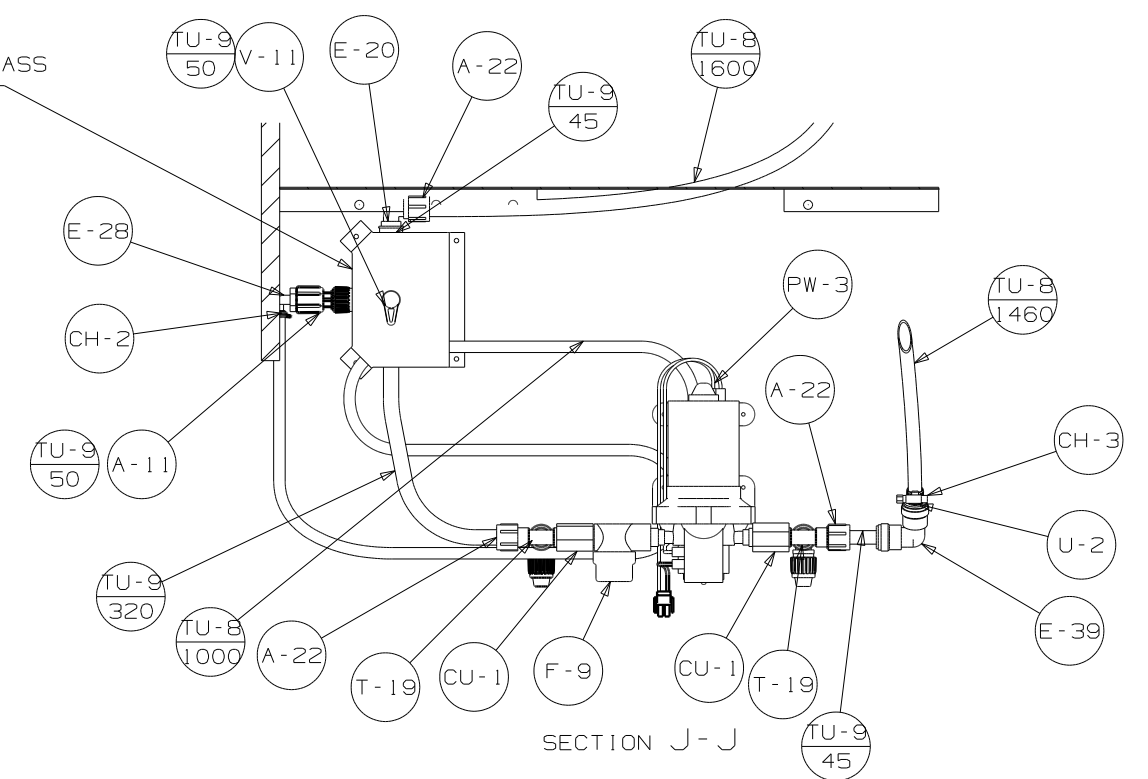
FIRST USED	10 R40BD
TITLE	DO NOT SCALE DRAWING
TITLE	WATER SYSTEM INSTL
SHEET 2	PART NO 169546 REV



VIEW B

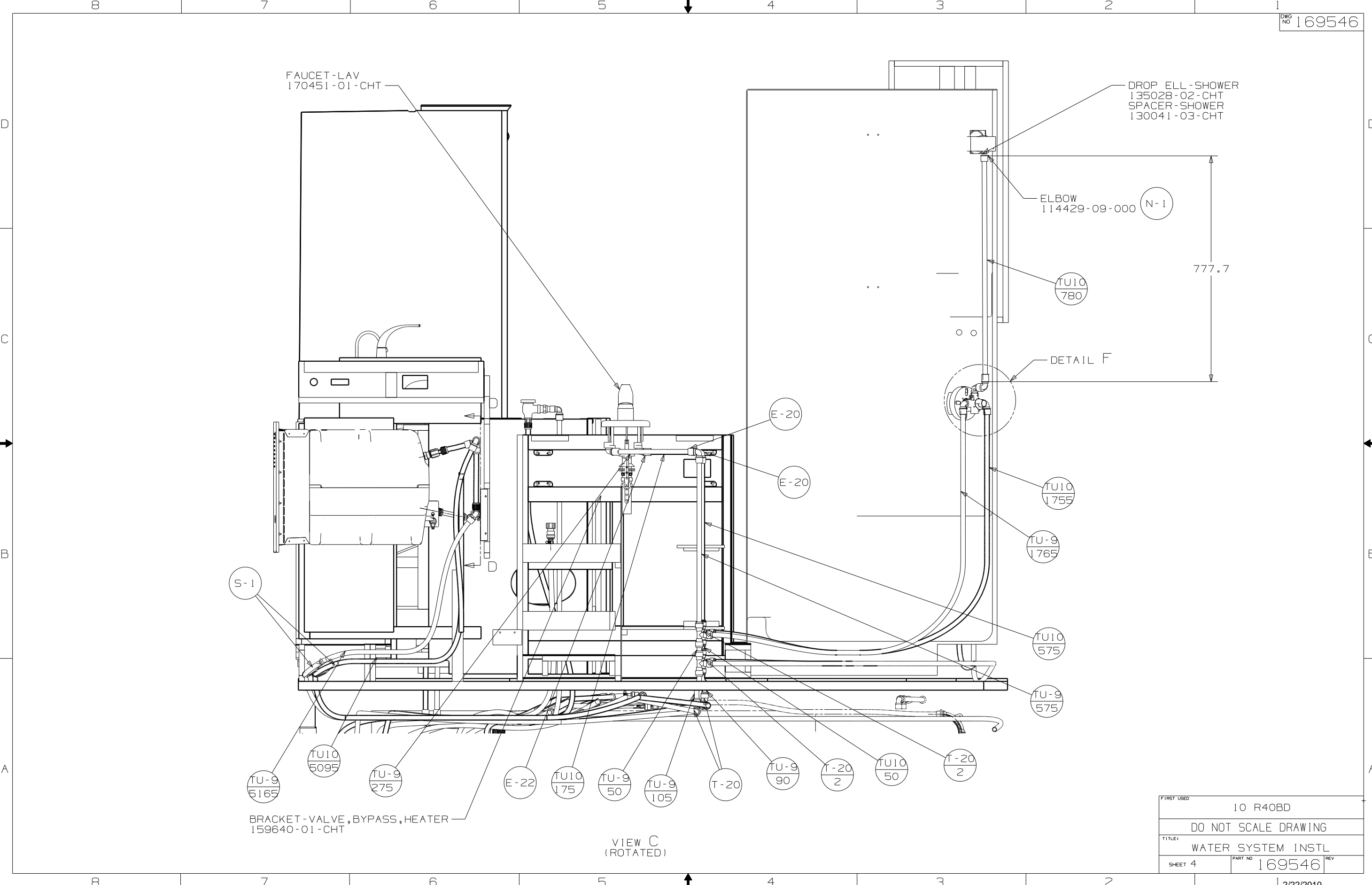


COVER-VALVE, BYPASS  
138618-03-CHT



SECTION J-J

FIRST USED	10 R40BD
TITLE	DO NOT SCALE DRAWING
TITLE	WATER SYSTEM INSTL
SHEET 3	PART NO 169546 REV
1/22/2010	



FAUCET-LAV  
170451-01-CHT

DROP ELL-SHOWER  
135028-02-CHT  
SPACER-SHOWER  
130041-03-CHT

ELBOW  
114429-09-000 N-1

777.7

TU10  
780

DETAIL F

E-20

E-20

TU10  
1755

TU-9  
1765

TU10  
575

TU-9  
575

S-1

TU-9  
5165

TU10  
5095

TU-9  
275

E-22

TU10  
175

TU-9  
50

TU-9  
105

T-20

TU-9  
90

T-20  
2

TU10  
50

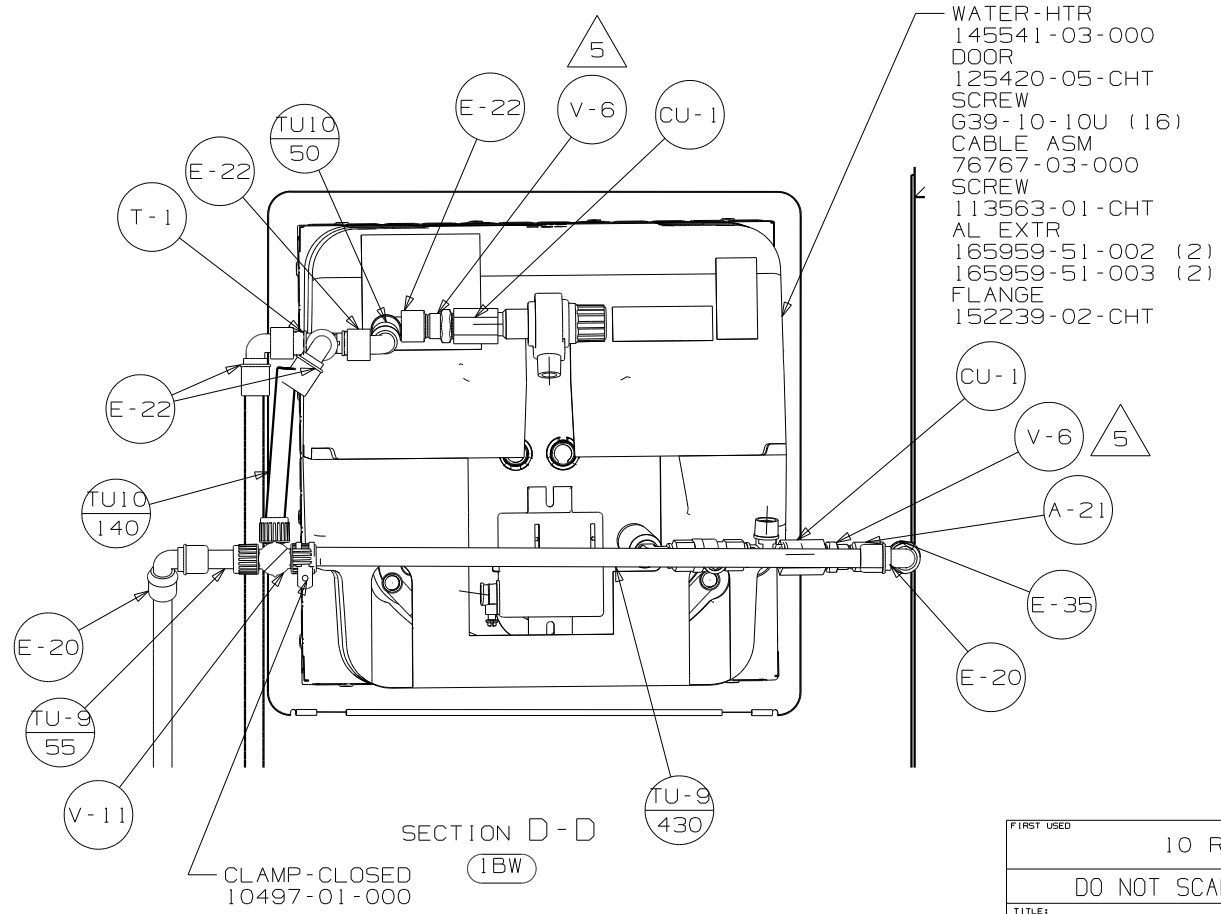
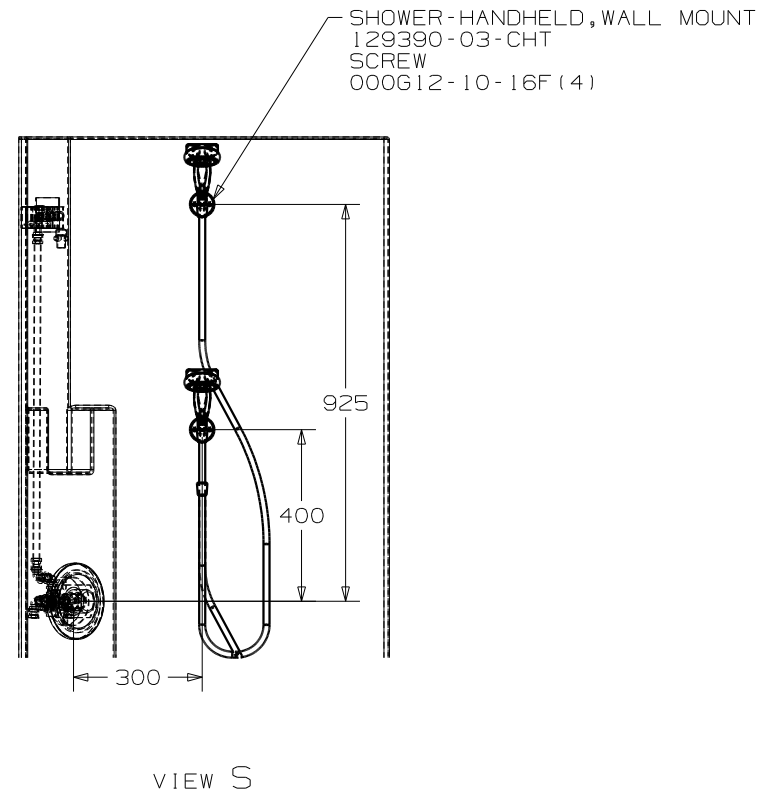
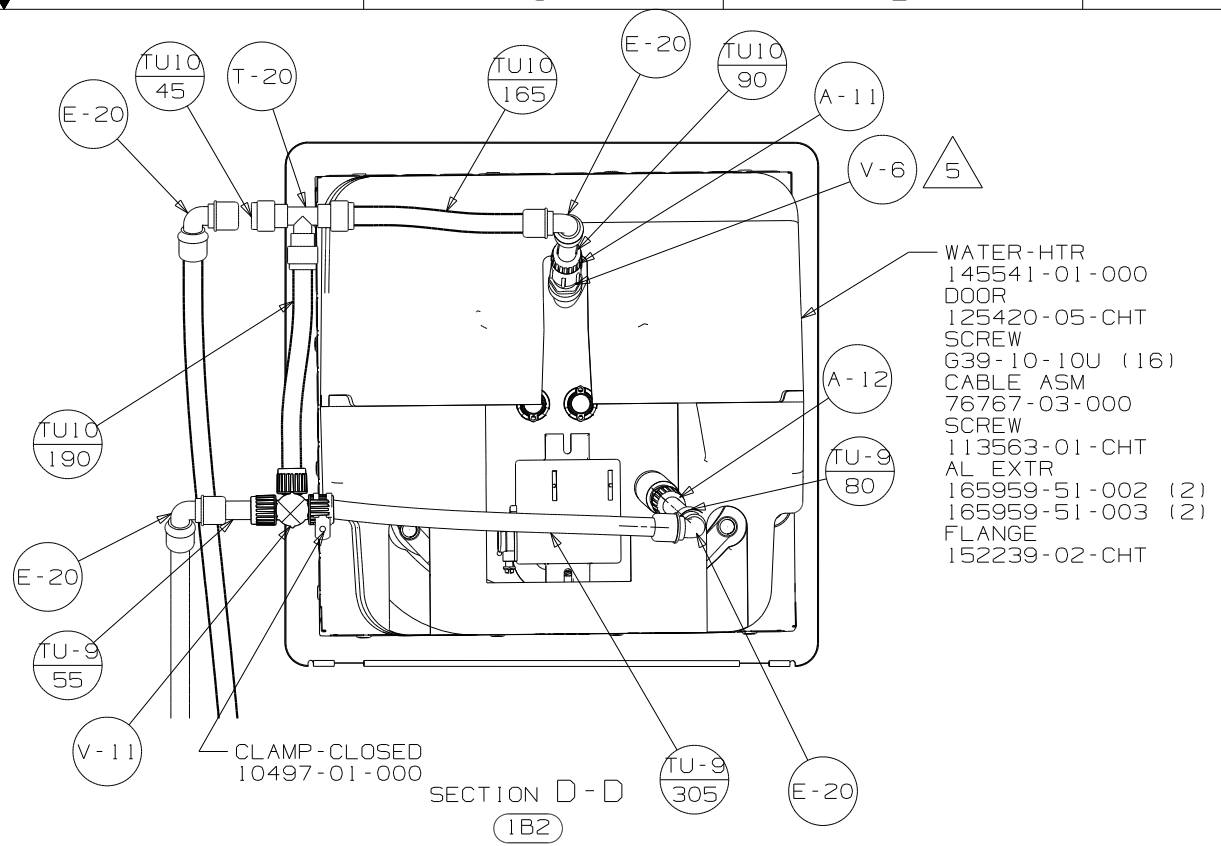
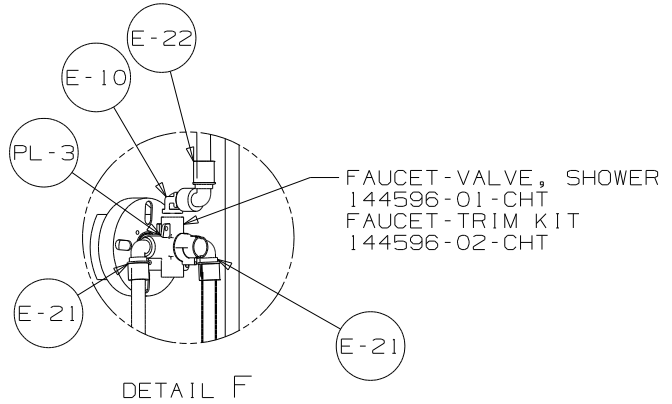
T-20  
2

BRACKET-VALVE, BYPASS, HEATER  
159640-01-CHT

VIEW C  
(ROTATED)

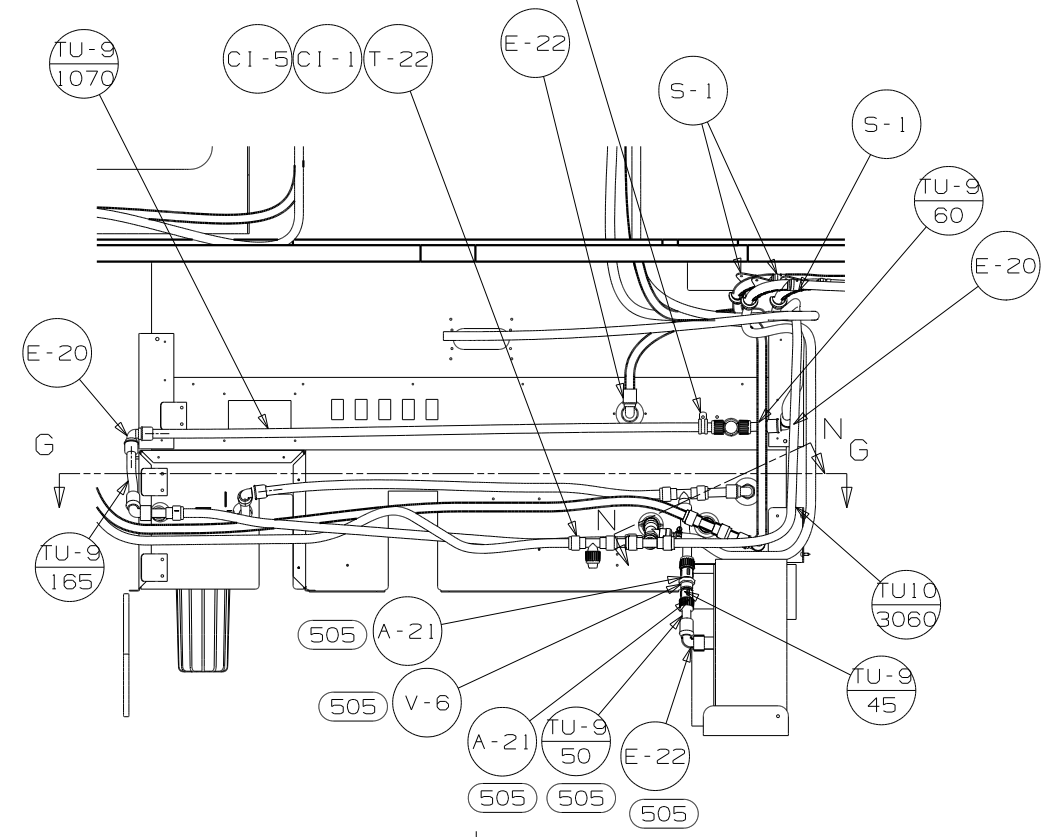
FIRST USED	10 R40BD
TITLE	DO NOT SCALE DRAWING
TITLE	WATER SYSTEM INSTL
SHEET 4	PART NO 169546 REV





FIRST USED	10 R40BD	
TITLE	DO NOT SCALE DRAWING	
SHEET 5	PART NO	169546
	REV	

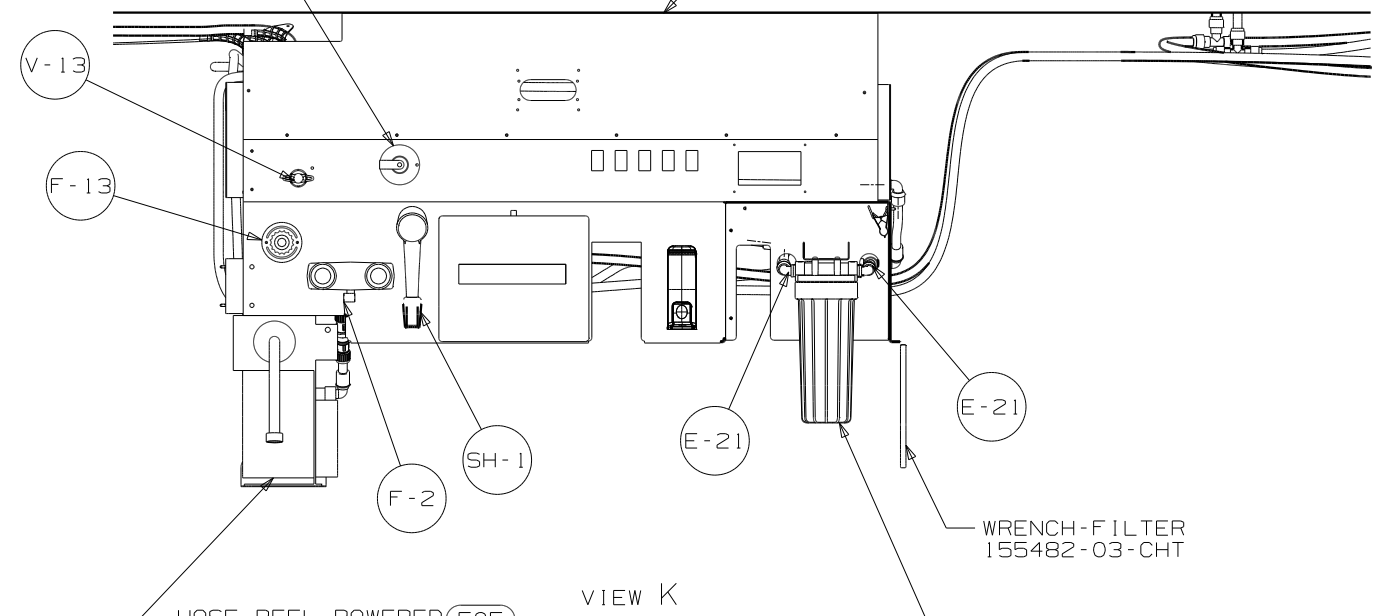
CLAMP - CLOSED  
10497-01-000



VIEW L  
(ROTATED)

FLUSHING SYSTEM  
125697-05-000

SERVICE CENTER ASM  
163268-07-XXX

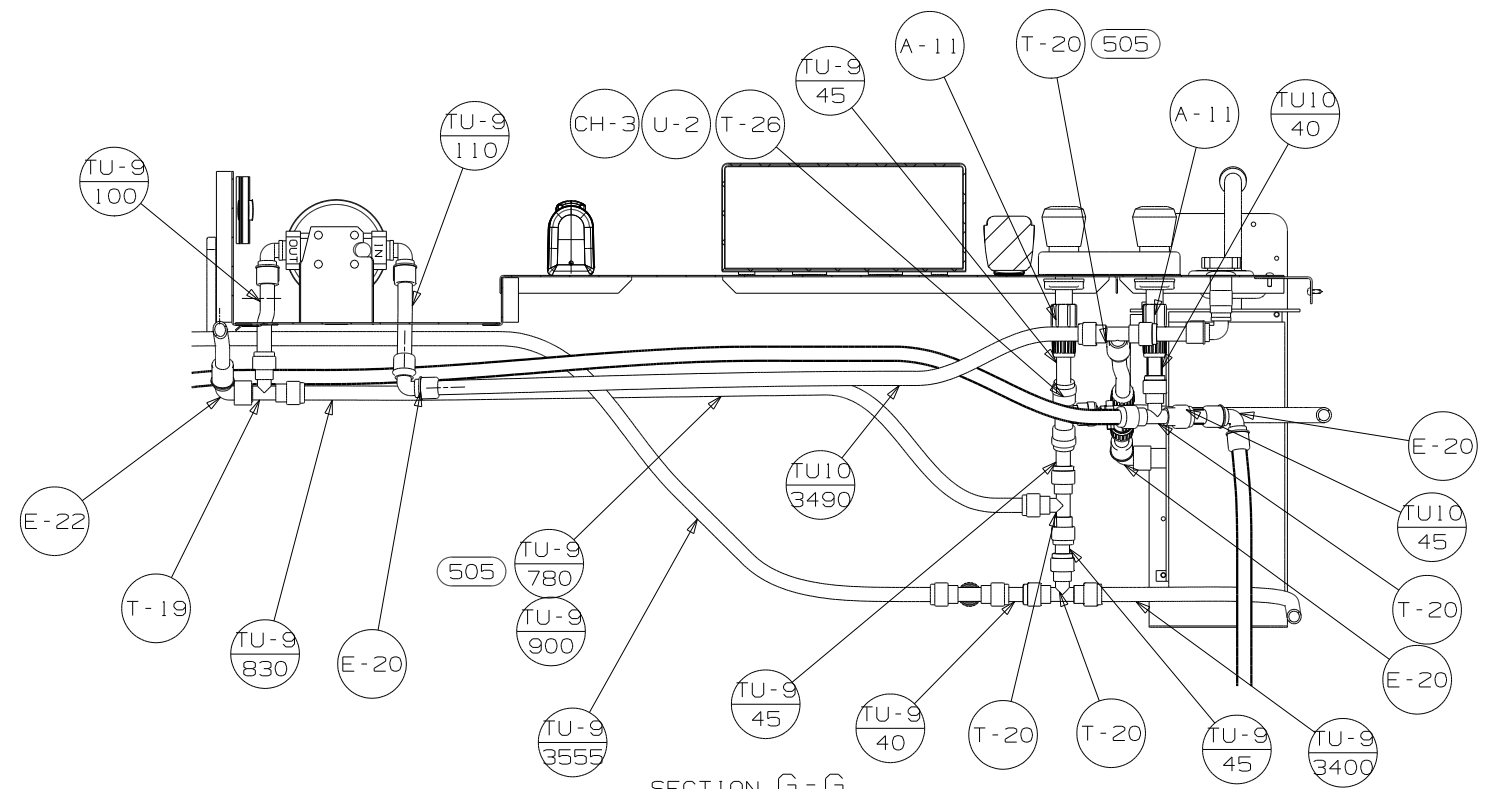


VIEW K

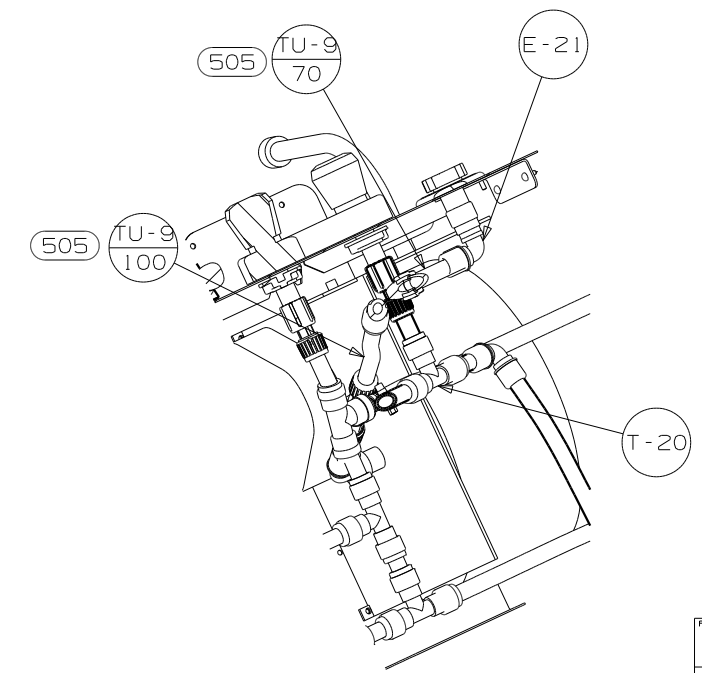
- HOSE - REEL , POWERED (505)
- 142675-01-CHT
- BRACKET
- 145758-02-CHT
- RIVET
- 118626-01-CHT (4)
- SCREW
- G39-10-20U (2)

WRENCH-FILTER  
155482-03-CHT

FILTER KIT  
155482-01-CHT  
SCREW  
G11-10-12U (4)



SECTION G-G



SECTION N-N

FIRST USED	10 R40BD
DO NOT SCALE DRAWING	
TITLE:	WATER SYSTEM INSTL
SHEET 6	PART NO 169546 REV