

- (1B) CODES/STANDARDS USA
- (265) CODES/STDS-CSA, CMVSS
- (54E) WASHER DRYER
- (21M) WASHER/DRYER PREP
- (214) DISHWASHER DRAWER STYLE
- (215) DISHWASHER WITHOUT

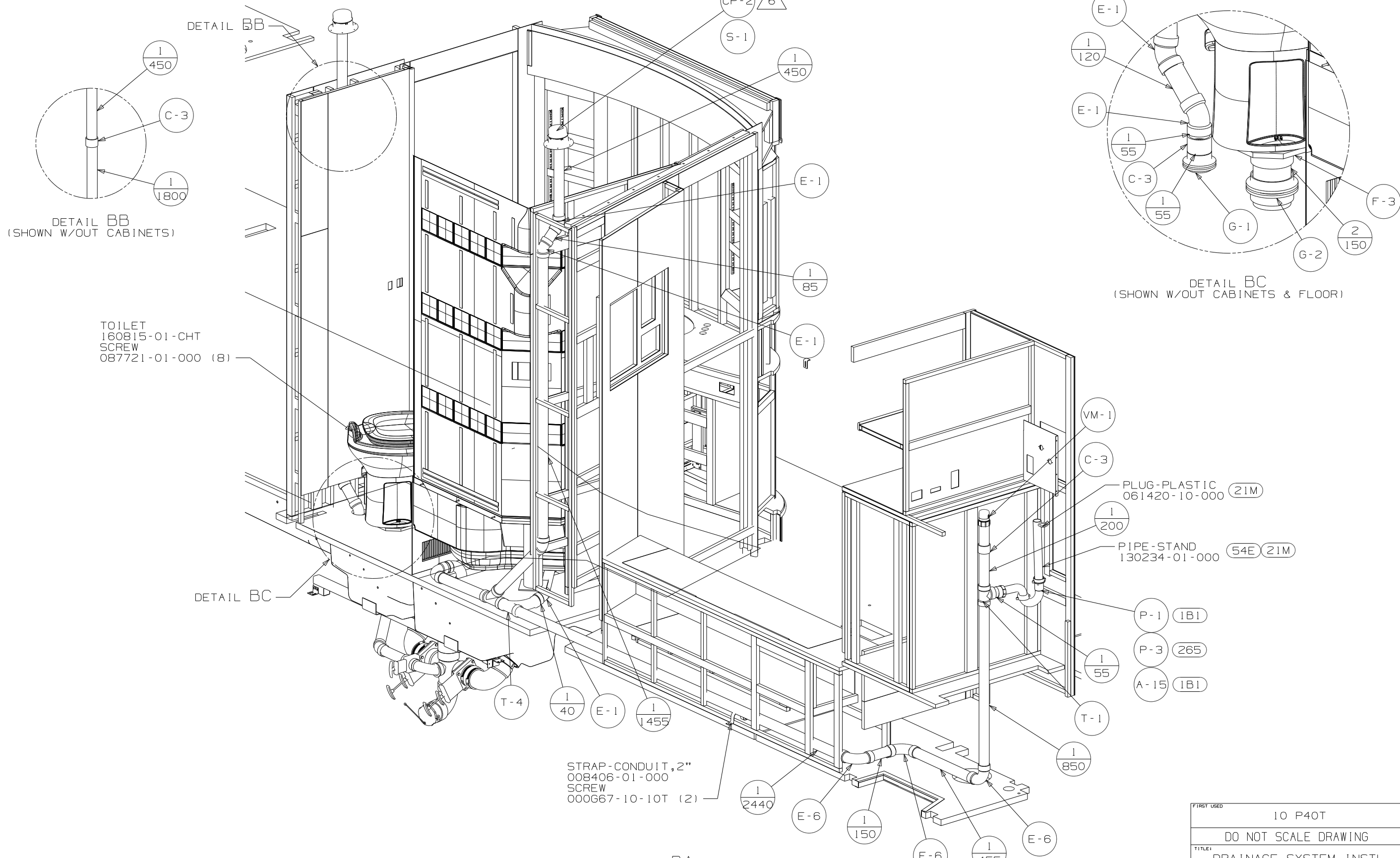
- 8 USE SMOOTH PLUMBERS PUTTY 167459-01-000 TO SEAL STRAINER (0.2 PER STRAINER).
- 7 SECURE VENT PIPE TO FLOOR WITH CLAMP 062401-02-000 (2), SCREW 000G67-10-12B (2), BRACKET 136878-01-CHT (2).
- 6 VENT PIPE MUST PROJECT 51 MIN AND 64 MAX ABOVE ROOF FOR PROPER FIT AND FUNCTION.
- 5. SEAL AROUND SHOWER WITH SILICONE.
- 4. SECURE DRAINAGE PIPES TO CABINET USING WIRE TIE 108046-02-000, AND SCREW 000G67-10-12B AT INTERVALS OF NOT MORE THAN 4 FEET APART.
- 3. ALL PIPE AND FITTINGS TO BE ASSEMBLED WITH SOLVENT 004020-01-000 (USA), 004020-02-000 (CAN)
- 2. SLOPE OF TRAP ARM MUST BE 6 PER 305 mm.
- 1. SLOPE OF HORIZONTAL PIPING TO BE MINIMUM OF 3 PER 305mm.

NOTES:

WINNEBAGO		COPYRIGHT 2009 WINNEBAGO INDUSTRIES, INC.	
DFTR	ORIG. DATE	ALL DIMENSIONS ARE IN MILLIMETERS	
CHKR		10 P40T	
P.E.		UNSPECIFIED TOLERANCES ARE:	
M.E.	FIRST USED	WHOLE DIM (X)	: 3
DSNR		ONE-PLACE (X.X)	: 1.5
		TWO-PLACE (X.XX)	: 0.50
		ANGLE	: 1°
THIRD ANGLE PROJECTION		MATERIAL:	
DO NOT SCALE DRAWING			
TITLE: DRAINAGE SYSTEM INSTL			
SHEET 1 OF 5	PART NO	172012	REV
REF:	1 11/18/2009		

FOR
DRAINAGE
CALLOUTS
SEE DWG NO
116229-01-000

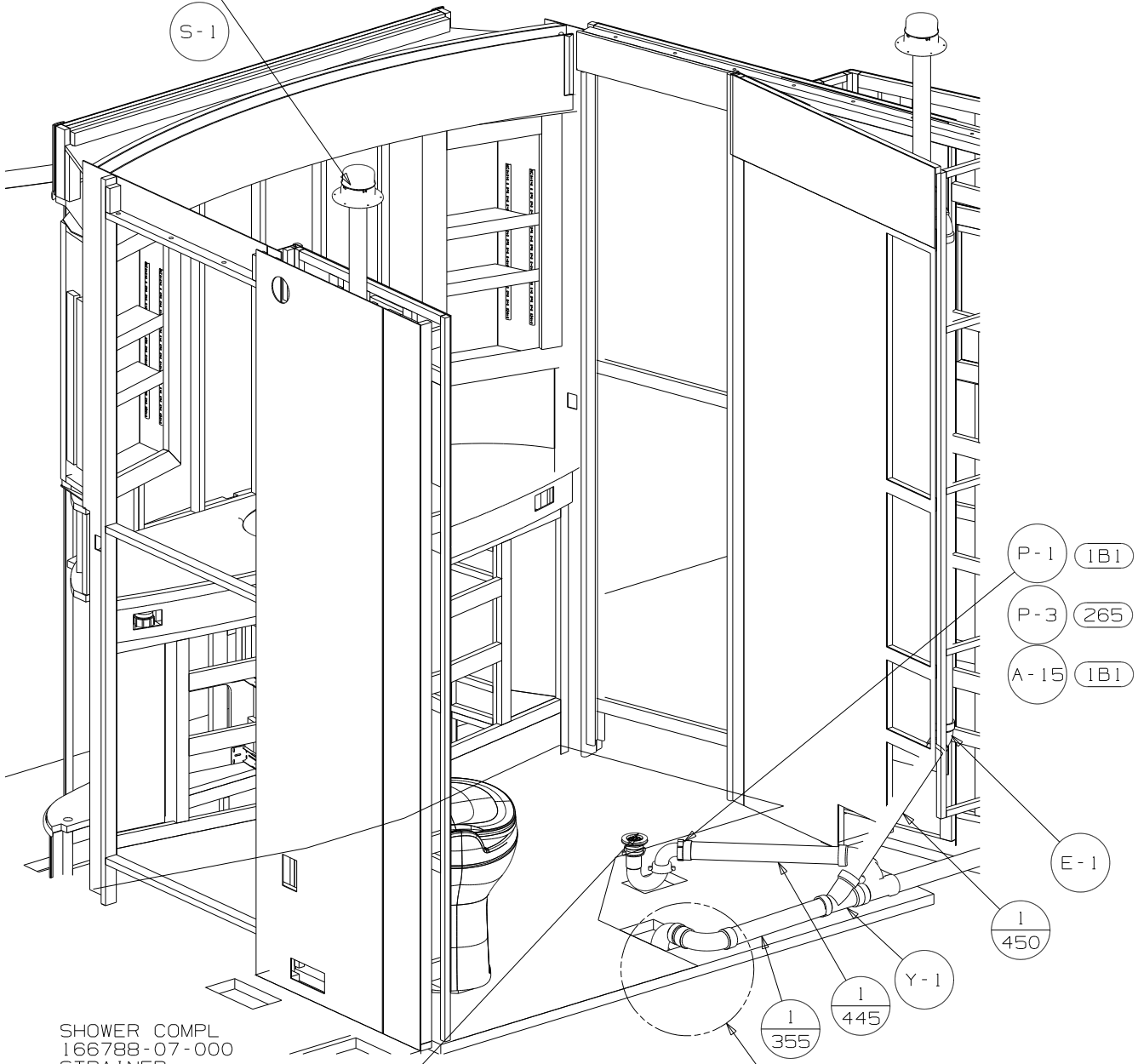




VIEW BA

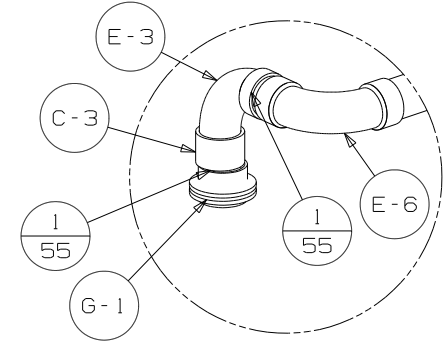
FIRST USED	10 P40T
TITLE	DO NOT SCALE DRAWING
	DRAINAGE SYSTEM INSTL
SHEET 2	PART NO 172012 REV

6 CP-2
S-1



SHOWER COMPL
166788-07-000
STRAINER
066440-01-000
GASKET
132376-01-CHT
NUT
130403-01-000
TAILPIECE
011069-06-000
WASHER
127440-02-CHT

VIEW CA
(SHOWN W/OUT SHOWER)



DETAIL CC
(SHOWN W/OUT FLOOR)

SINK-LAVATORY, OVAL
(SEE COUNTERTOP)
WASTE ASM
SUPPLIED W/FAUCET
SCREW
00067-08-10U (10)
ANGLE-FORMED W/SLOT
140002-01-CHT (10)

1B1 P-1
265 P-3
1B1 A-15

1/55

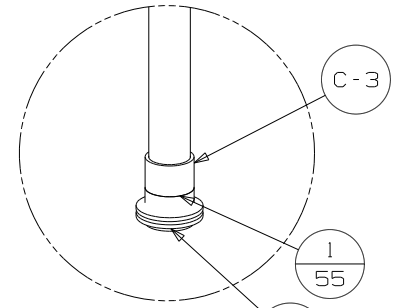
E-1

1/450

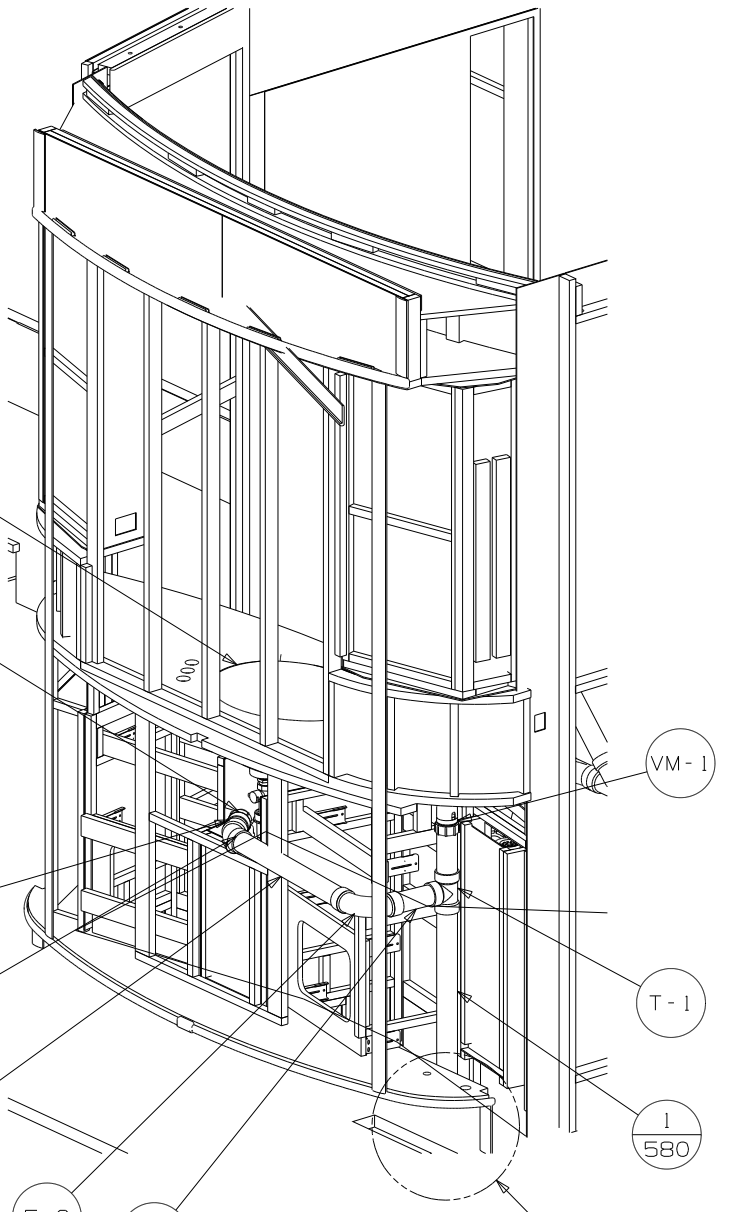
E-6

1/130

VIEW CB



DETAIL CD



VM-1

T-1

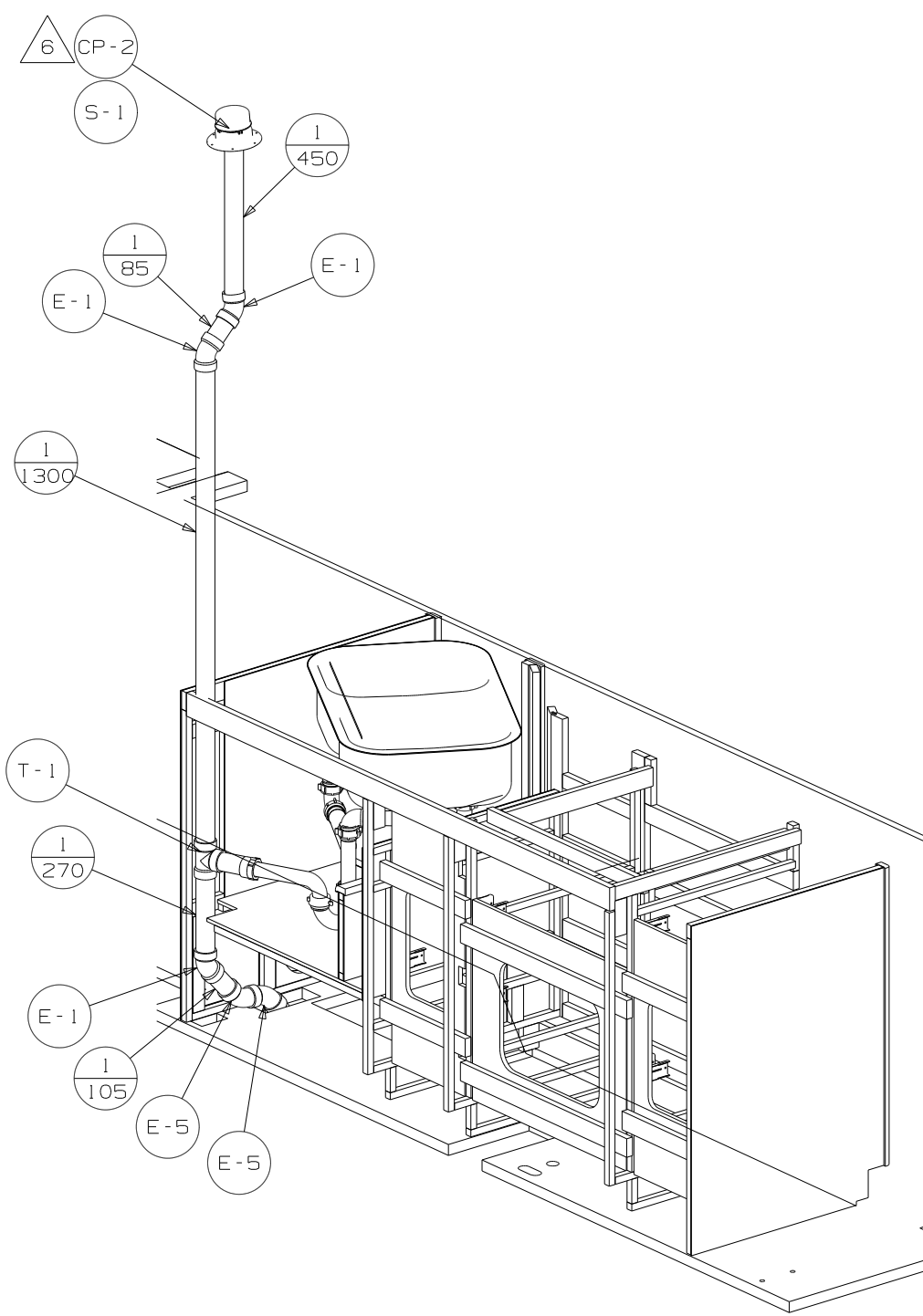
1/580

1/550

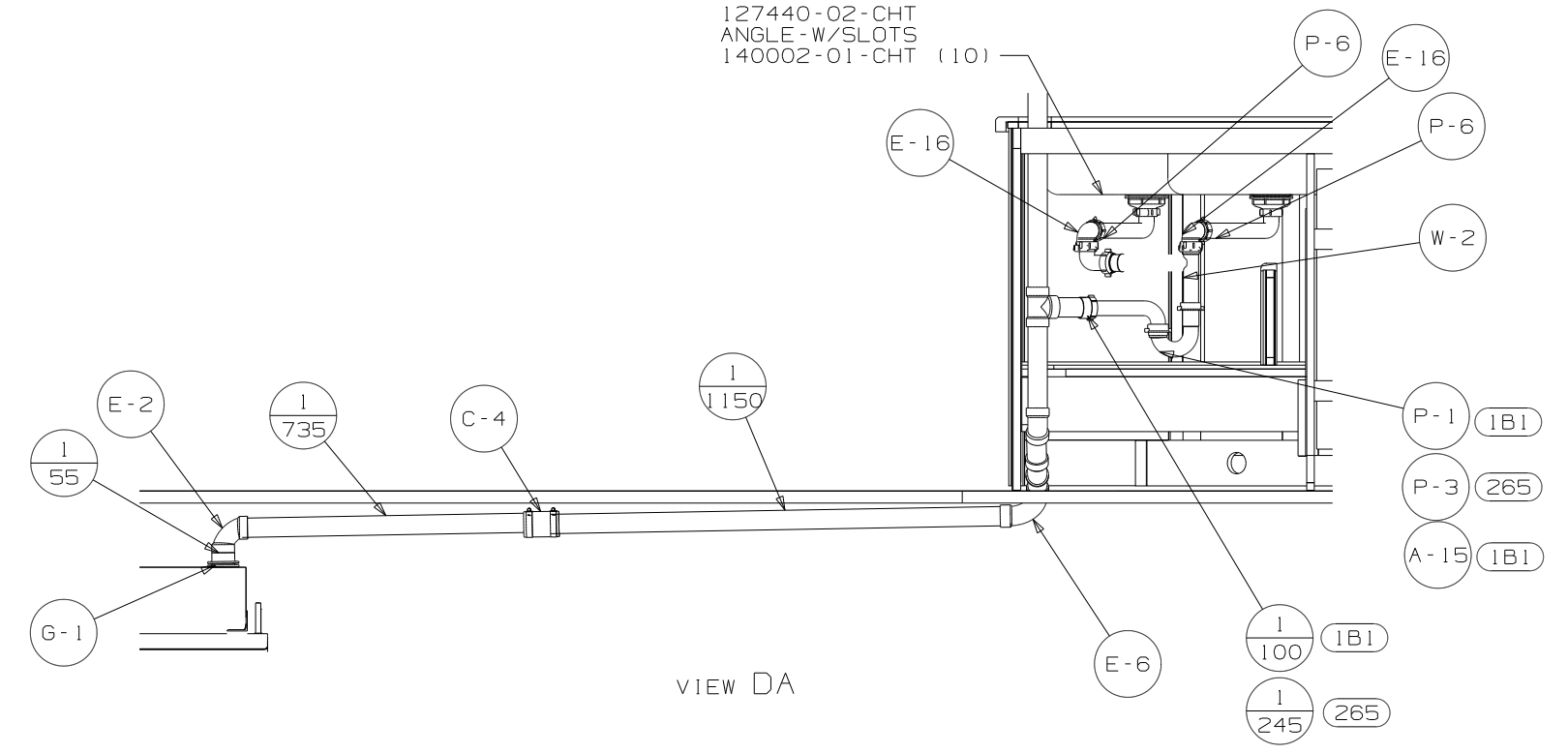
DETAIL CD

FIRST USED	10 P40T
TITLE	DO NOT SCALE DRAWING
TITLE	DRAINAGE SYSTEM INSTL
SHEET 3	PART NO 172012 REV

- SINK-GALLEY
- 173783-01-CHT
- STRAINER
- 092303-01-000 (2) \triangle 8
- TAIL PIECE
- 011069-03-000
- NUT
- 130403-01-000
- WASHER-RUBBER
- 127440-02-CHT
- ANGLE-W/SLOTS
- 140002-01-CHT (10)

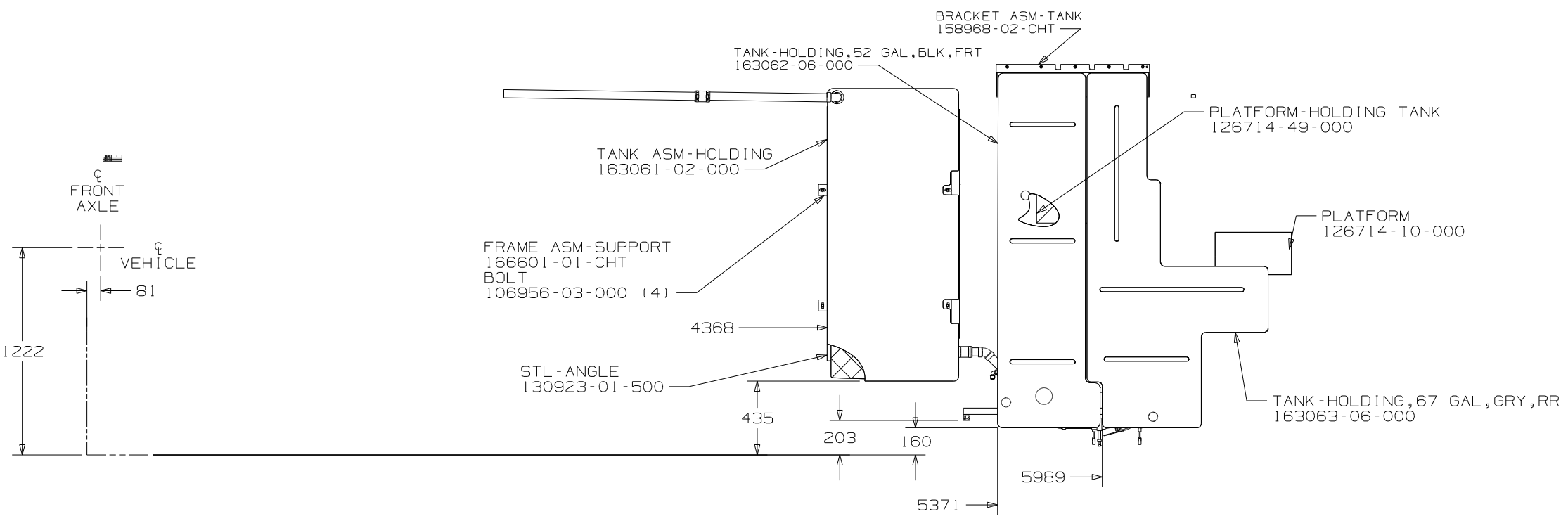


VIEW DB

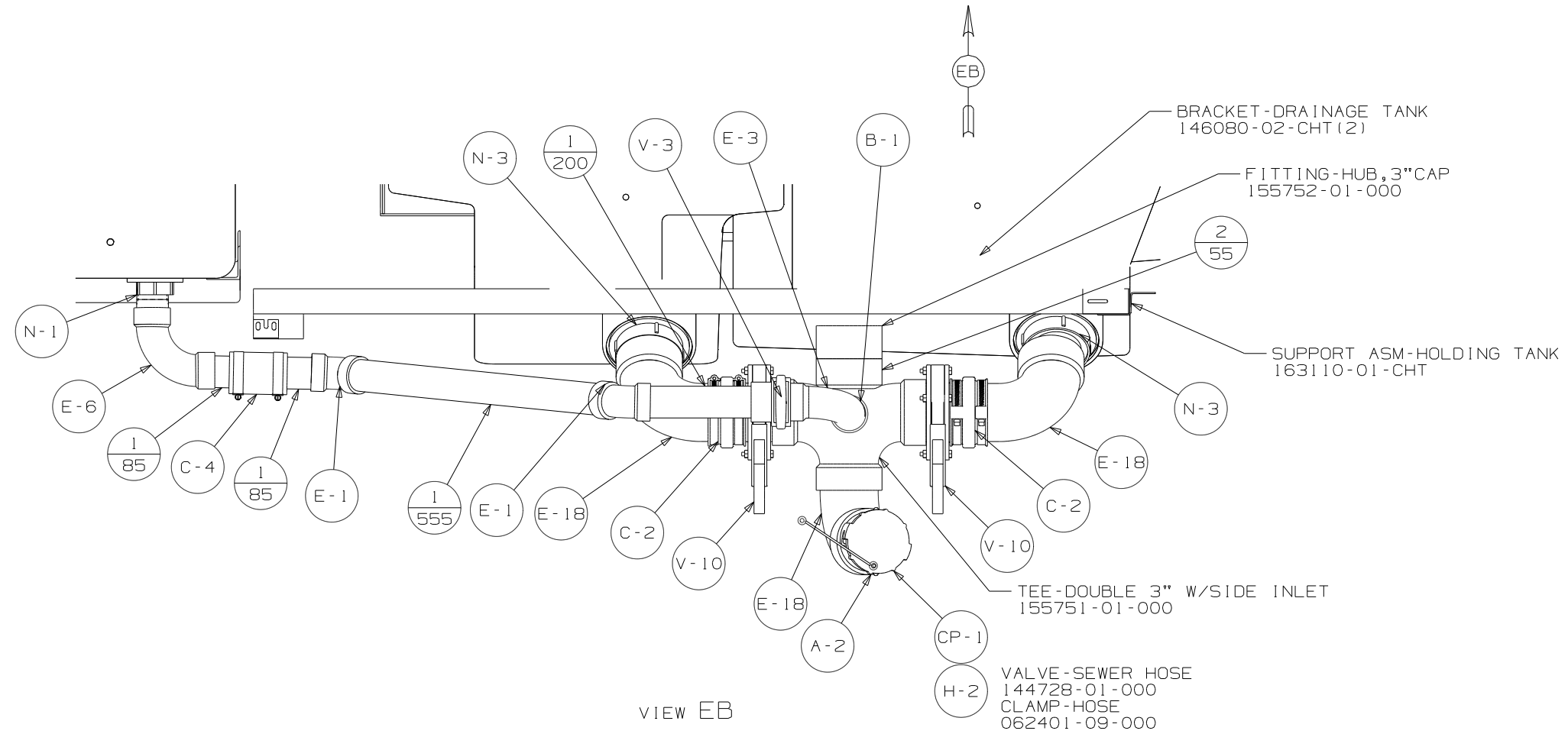


VIEW DA

FIRST USED	10 P40T
DO NOT SCALE DRAWING	
TITLE:	DRAINAGE SYSTEM INSTL
SHEET 4	PART NO 172012 REV

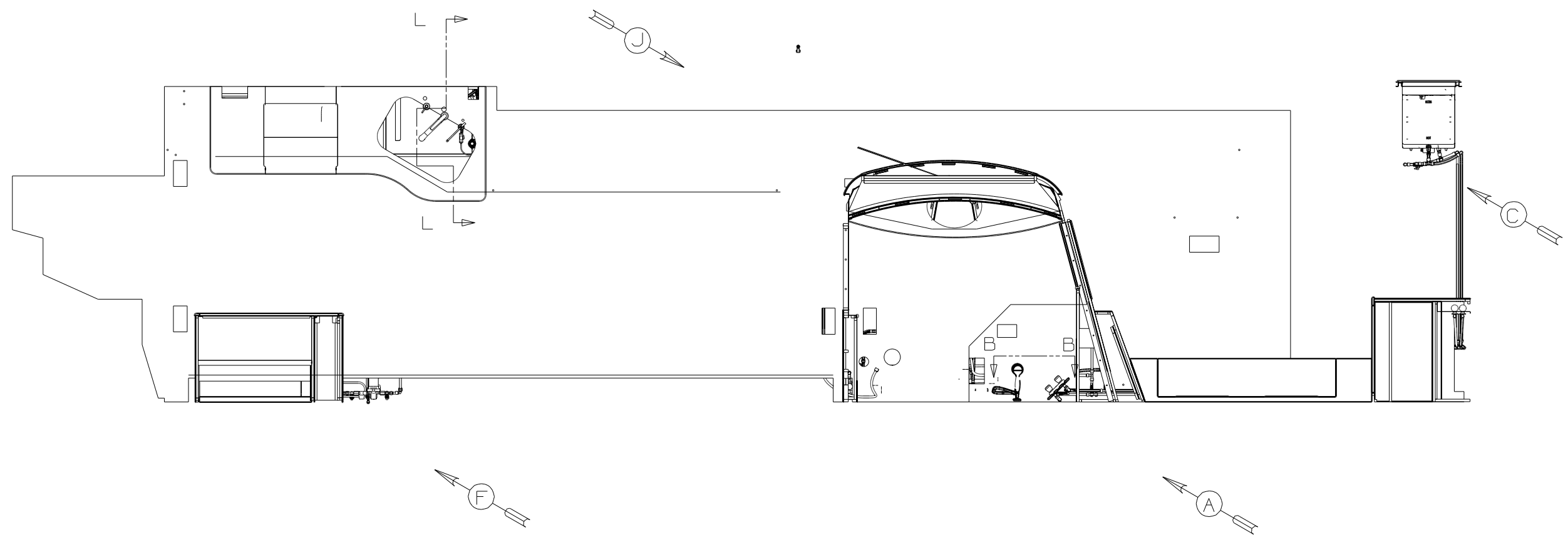


TOP VIEW SHOWING TANKS AND DRAINS



VIEW EB

FIRST USED	10 P40T	
TITLE	DO NOT SCALE DRAWING	
	DRAINAGE SYSTEM INSTL	
SHEET 5	PART NO 172012	REV



- (54E) WASHER/DRYER
- (21M) WASHER/DRYER PREP

- NOTES:
- 7. ADD PIPE WRAP (LADDER SCRAP 110157-02-000) INSULATION.
 - 6. ADD TEFLON TAPE 010405-03-000.
 - 5. ADD TEFLON TAPE 010405-02-000.
 - 4. ADD TEFLON TAPE 010405-01-000.
3. ALL TUBING TO BE SECURED AT 1200 INTERVALS MAXIMUM WITH CLAMP 010495-01-000 AND SCREW 000667-10-12B OR EQUIVALENT.
 2. TUBING TO BE INSTALLED WITH SUFFICIENT SLOPE TO PROVIDE DRAINAGE TO NEAREST VALVE.
 1. PLASTIC FITTINGS TO BE SEALED WITH SEALANT 084456-01-000.

WINNEBAGO		COPYRIGHT 2010 WINNEBAGO INDUSTRIES, INC.	
DFTN	ORIG. DATE	ALL DIMENSIONS ARE IN MILLIMETERS	
CHKR		FIRST USED	
P.E.		10 P40T	
M.E.		UNSPECIFIED TOLERANCES ARE:	
DSNR		WHOLE DIM (X) : 3	
		ONE-PLACE (X.X) : 1.5	
		TWO-PLACE (X.XX) : 0.50	
		ANGLE : 1°	
THIRD ANGLE PROJECTION		MATERIAL:	
DO NOT SCALE DRAWING		REFER TO ES0018 FOR FASTENER TIGHTENING GUIDELINES	
TITLE: WATER SYSTEM INSTL			
SHEET 1 OF 5		PART NO 172015	
REF:		REV	

(X-X)
FOR
WATER
CALLOUTS
SEE DWG NO
116230-01-000

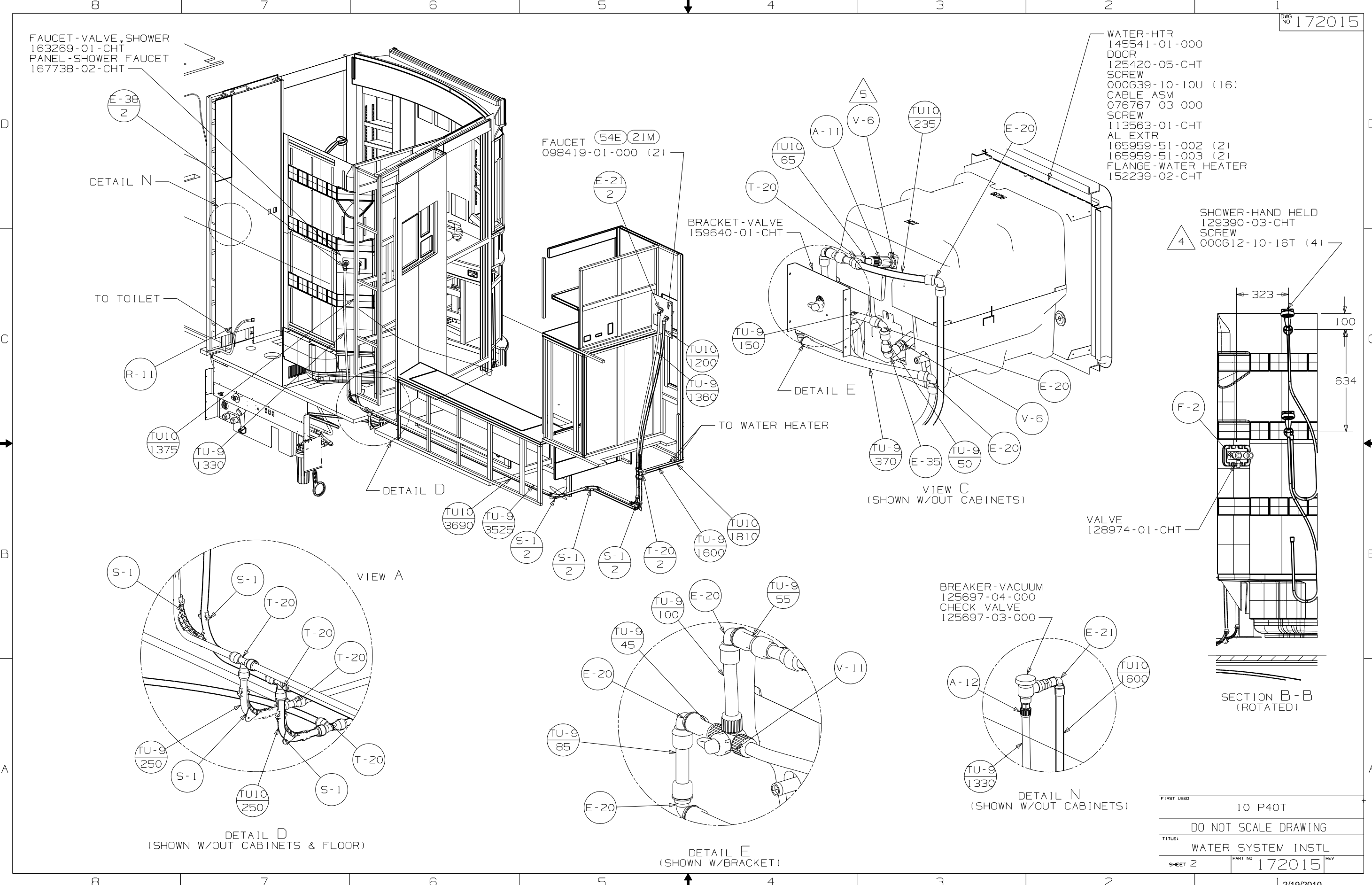
FAUCET - VALVE, SHOWER
163269-01-CHT
PANEL - SHOWER FAUCET
167738-02-CHT

WATER-HTR
145541-01-000
DOOR
125420-05-CHT
SCREW
000639-10-10U (16)
CABLE ASM
076767-03-000
SCREW
113563-01-CHT
AL EXTR
165959-51-002 (2)
165959-51-003 (2)
FLANGE - WATER HEATER
152239-02-CHT

SHOWER - HAND HELD
129390-03-CHT
SCREW
000G12-10-16T (4)

BREAKER - VACUUM
125697-04-000
CHECK VALVE
125697-03-000

FIRST USED	10 P40T
TITLE	DO NOT SCALE DRAWING
TITLE	WATER SYSTEM INSTL
SHEET 2	PART NO 172015 REV



E-38
2

DETAIL N

TO TOILET

R-11

TU10
1375

TU-9
1330

DETAIL D

TU10
3690

TU-9
3525

S-1
2

S-1
2

S-1
2

T-20
2

TU-9
1600

TU10
1810

VIEW A

S-1

S-1

T-20

T-20

T-20

TU-9
250

S-1

TU10
250

S-1

DETAIL D
(SHOWN W/OUT CABINETS & FLOOR)

FAUCET (54E 21M)
098419-01-000 (2)

E-21
2

BRACKET - VALVE
159640-01-CHT

TU10
1200

TU-9
150

TU-9
1360

TO WATER HEATER

DETAIL E

TU-9
370

E-35

TU-9
50

E-20

VIEW C
(SHOWN W/OUT CABINETS)

TU10
65

A-11

V-6

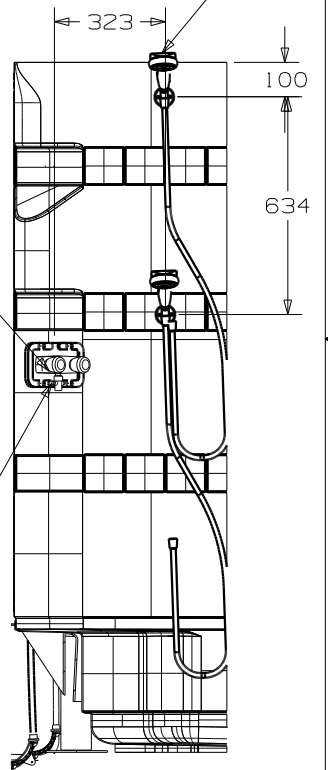
TU10
235

E-20

5

VALVE
128974-01-CHT

F-2



TU-9
45

E-20

TU-9
100

E-20

TU-9
55

TU-9
85

E-20

TU-9
100

E-20

TU-9
55

V-11

DETAIL E
(SHOWN W/BRACKET)

BREAKER - VACUUM
125697-04-000
CHECK VALVE
125697-03-000

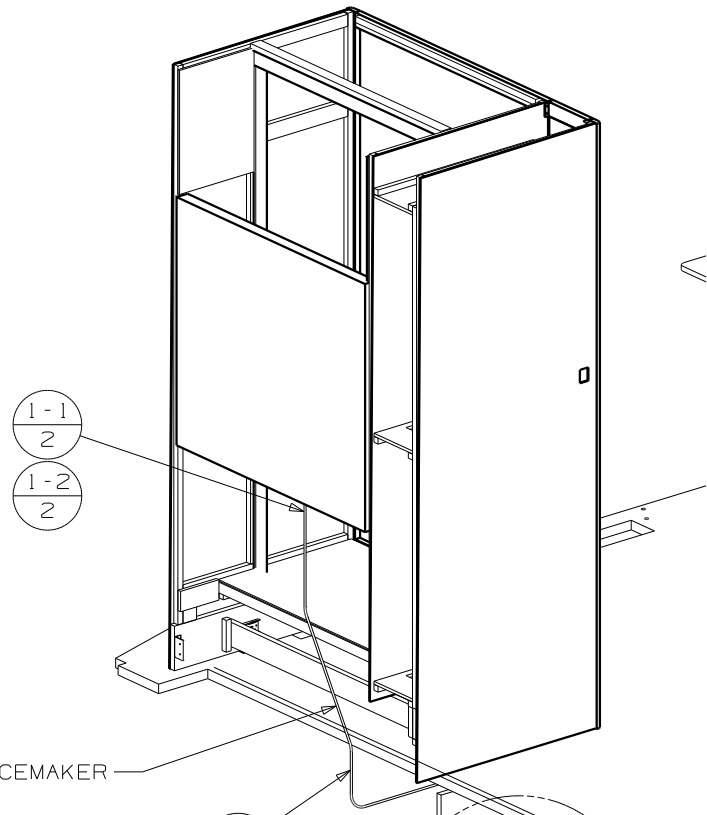
A-12

E-21

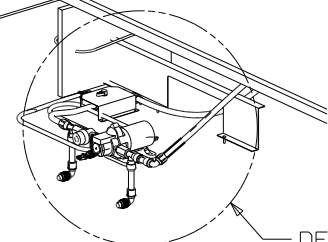
TU10
1600

TU-9
1330

DETAIL N
(SHOWN W/OUT CABINETS)



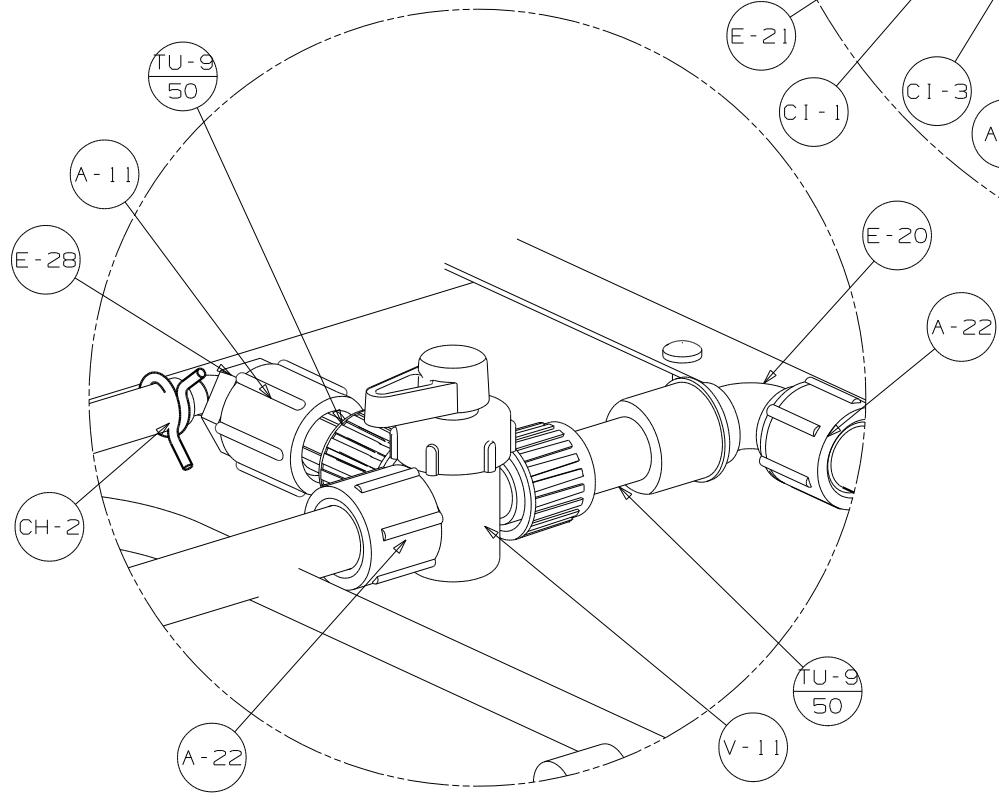
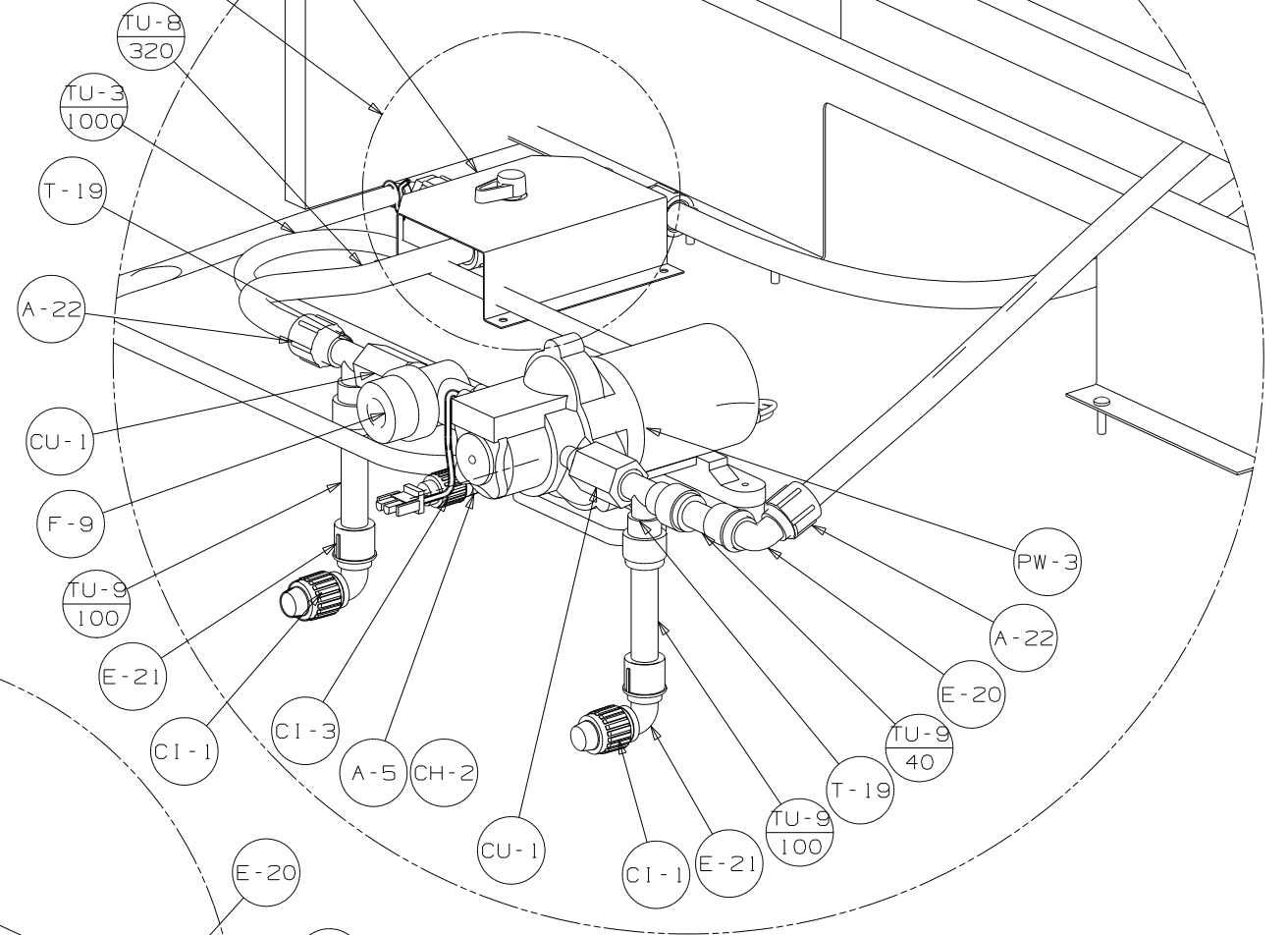
TU-5
8100



VIEW F

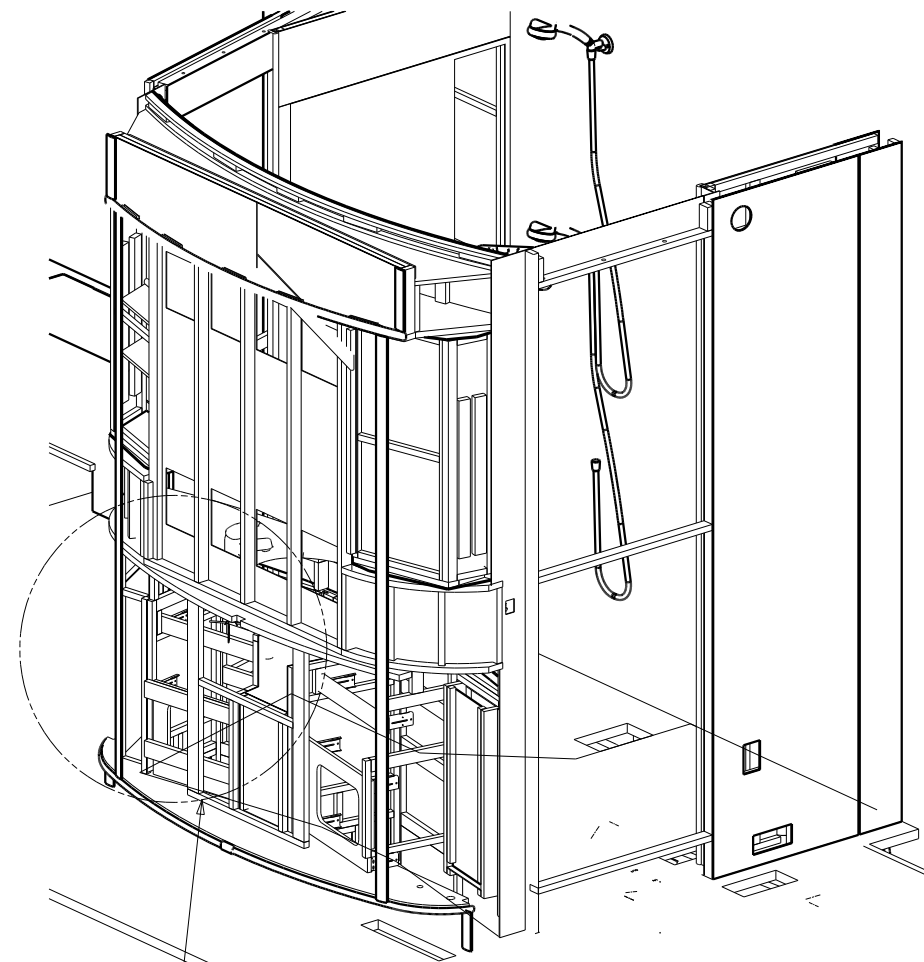
COVER-VALVE, BYPASS
138618-03-CHT

DETAIL H



DETAIL H
(SHOWN W/OUT COVER-VALVE, BYPASS)

FIRST USED	10 P40T	
TITLE	DO NOT SCALE DRAWING	
SHEET 3	PART NO	172015
	REV	



VIEW J (ROTATED)

WIN FAUCET-WATER PURIFIER
103635-01-000
ITA 173603-01-CHT

FAUCET-GALLEY, SGL CONT, CHROM
123744-03-CHT

DISPENSER-SOAP/LOTION
173282-01-CHT

ADAPTOR-BRASS
146297-01-000

TU-5
550

A-11

TU-9
40

T-25

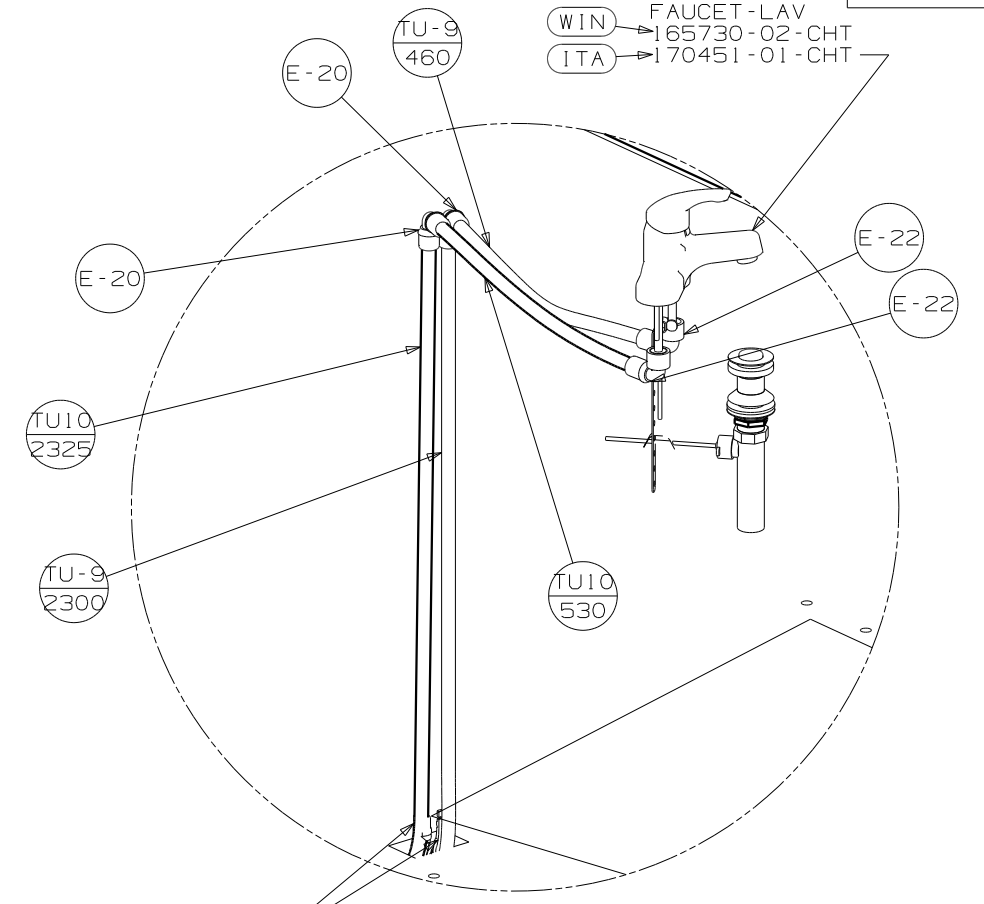
TU-9
985

TU10
1015

S-1
2

DETAIL M

SECTION L-L (ROTATED)



WIN FAUCET-LAV
165730-02-CHT
ITA 170451-01-CHT

S-1

DETAIL K (SHOWN W/OUT CABINETS)

TU-5
150

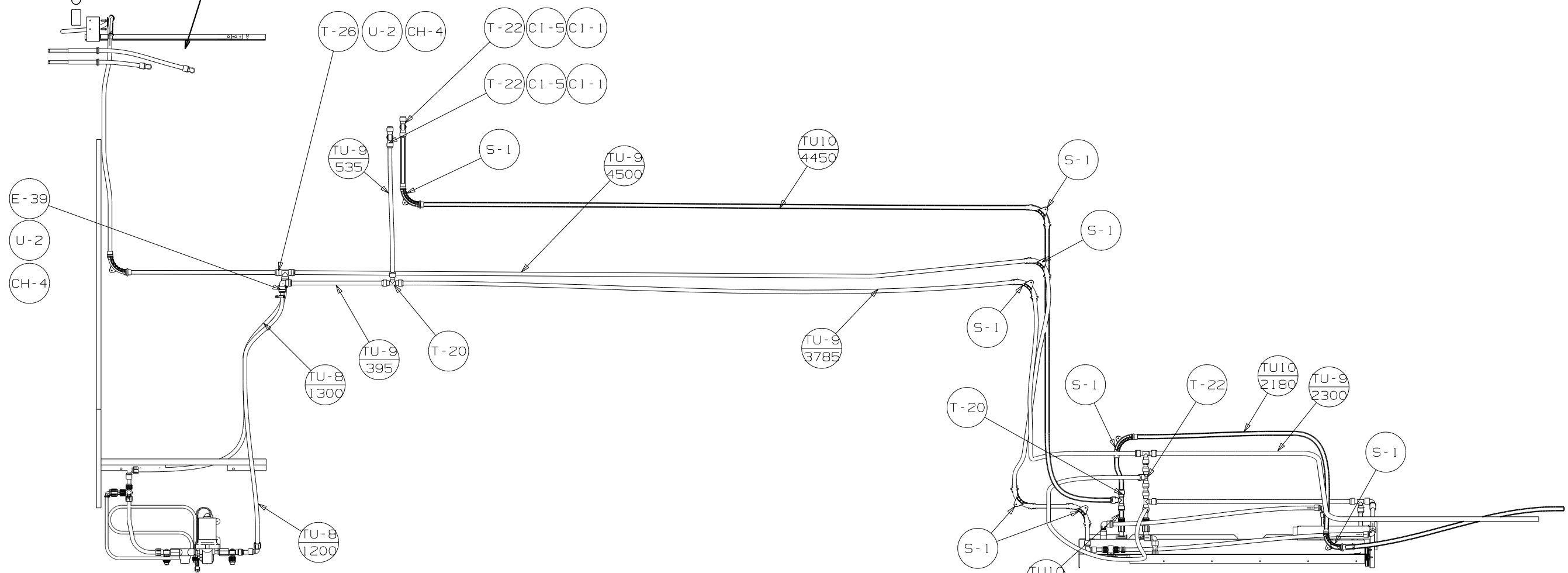
TU-5
250

FILTER KIT
160946-01-000

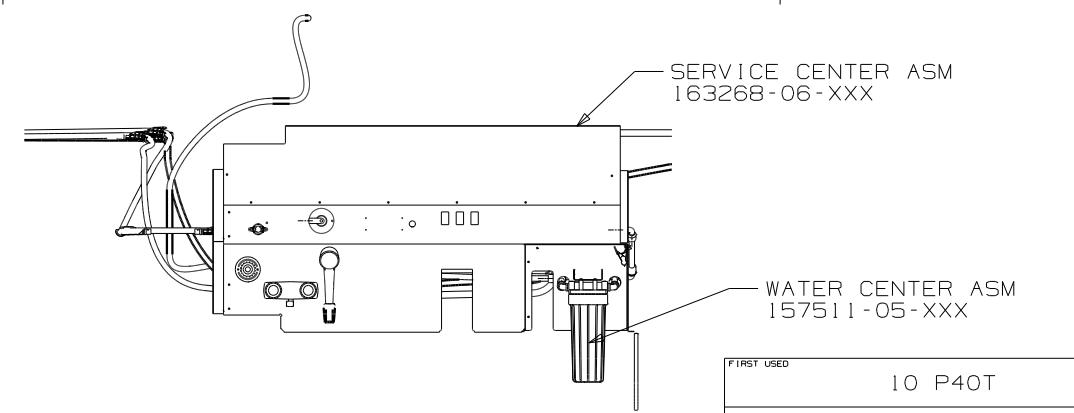
DETAIL M

FIRST USED	10 P40T
TITLE	DO NOT SCALE DRAWING
TITLE	WATER SYSTEM INSTL
SHEET 4	PART NO 172015 REV

TANK INSTL
(SEE FRAME ASM-CHASSIS)



TOP VIEW SHOWING LINES UNDER FLOOR



SECTION P-P

FIRST USED	10 P40T	
TITLE:	DO NOT SCALE DRAWING	
SHEET 5	PART NO	172015
	REV	