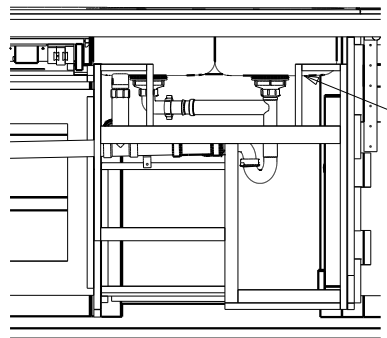


- 1. HOSE NEEDS TO BE LOOSE INSIDE OF CLAMP.
- 10. USE WIRE TIE 8343-03-000 (3) TO CLAMP DRAINAGE PIPE IN BRACKET.
- 9. LOCATE BETWEEN DRAINAGE HOLES IN UPPER FLOOR.
- 8. USE SMOOTH PLUMBERS PUTTY 167459-01-000 TO SEAL STRAINER (.2 PER STRAINER)
- 7. SEE DWG 061607-01-000 FOR INSTL OF GROMMETS.
- 6. SEAL ALL AROUND SHOWER WITH SILICONE.
- 5. SECURE VENT TUBES TO FLOOR WITH BRACKET.
- 4. VENT PIPE MUST PROJECT 51 MIN AND 64 MAX. ABOVE ROOF FOR PROPER FIT AND FUNCTION.
- 3. ALL PIPE AND FITTINGS TO BE ASSEMBLED WITH SOLVENT 004020-01-000.
- 2. SLOPE OF TRAP ARM MUST BE 6 PER 305.
- 1. SLOPE OF HORIZONTAL PIPING TO BE 6 PER 305 mm.

- 1B1 CODES/STANDARDS-USA
- 265 CODES/STDS-CSA/CMVSS
- 54E WASHER/DRYER
- 21M WASHER/DRYER PREP

WINNEBAGO		COPYRIGHT 2010 WINNEBAGO INDUSTRIES, INC.	
DFTR	ORIG. DATE	ALL DIMENSIONS ARE IN MILLIMETERS	
CHKR		FIRST USED	
P.E.		10 P40L	
M.E.		UNSPECIFIED TOLERANCES ARE:	
DSNR		WHOLE DIM (X) : 3	
		ONE-PLACE (X.X) : 1.5	
		TWO-PLACE (X.XX) : 0.50	
		ANGLE : 1°	
		THIRD ANGLE PROJECTION	
DO NOT SCALE DRAWING		REFER TO ES0018 FOR FASTENER TIGHTENING GUIDELINES	
TITLE: DRAINAGE SYSTEM INSTL			
SHEET 1 OF 4	PART NO	170760	REV
REF:	1 3/17/2010		

(X-X)
FOR
DRAINAGE
CALLOUTS
SEE DWG NO
116229-01-000



SECTION K-K
(ROTATED)

SINK
173783-01-CHT
ANGLE-W/SLOT
140002-01-CHT (10)
STRAINER
092303-01-000 (2)

PIPE-STAND
130234-02-000
(152)
PLUG
061420-10-000
(21M)

CLAMP
083610-02-000 (2)
SCREW
000639-10-12U (2)
LUMBER
052372-G0-120

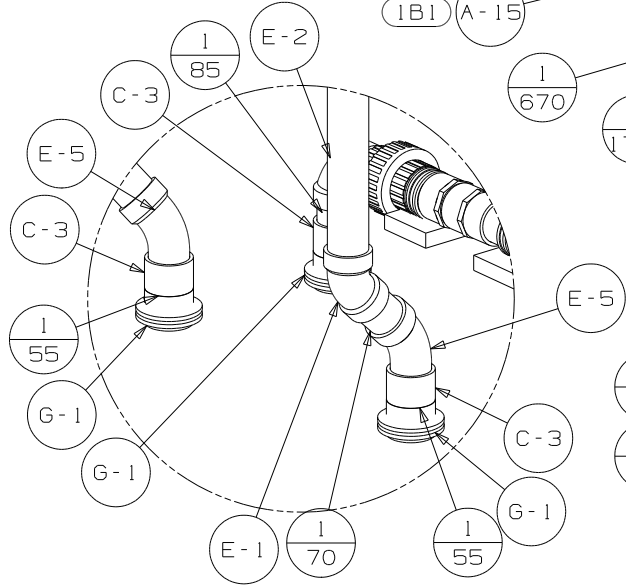
ELBOW
136111-01-000
BRACKET-COVER
142526-02-CHT
SCREW
000667-10-12U (9)

BRACKET-CARRIER
142527-02-CHT
SCREW
000667-10-12U (8)

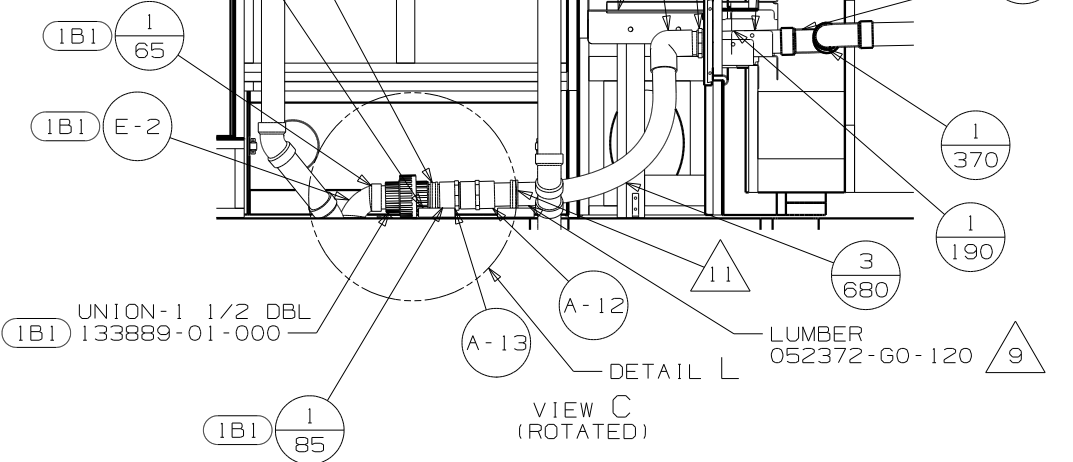
UNION-1 1/2 DBL
133889-01-000
(1B1)

LUMBER
052372-G0-120
(9)

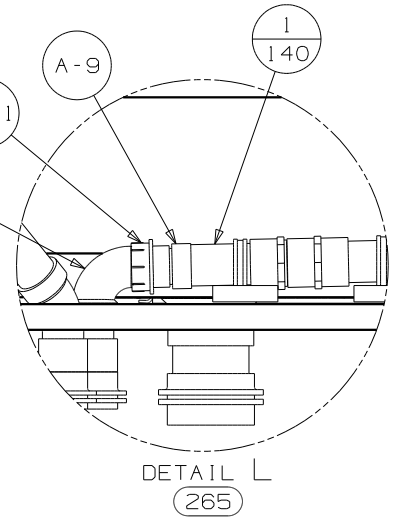
STRAP
008406-01-000 (3)



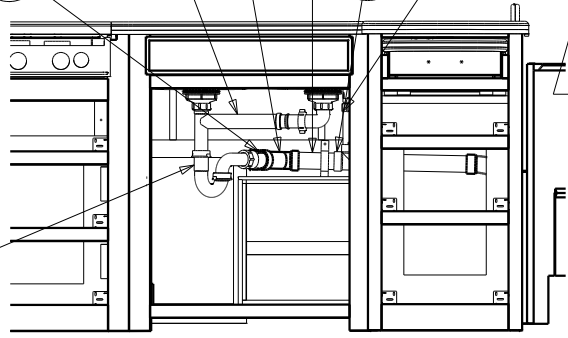
DETAIL B
(SHOWN W/OUT
FLOOR AND
CABINETS)



VIEW C
(ROTATED)



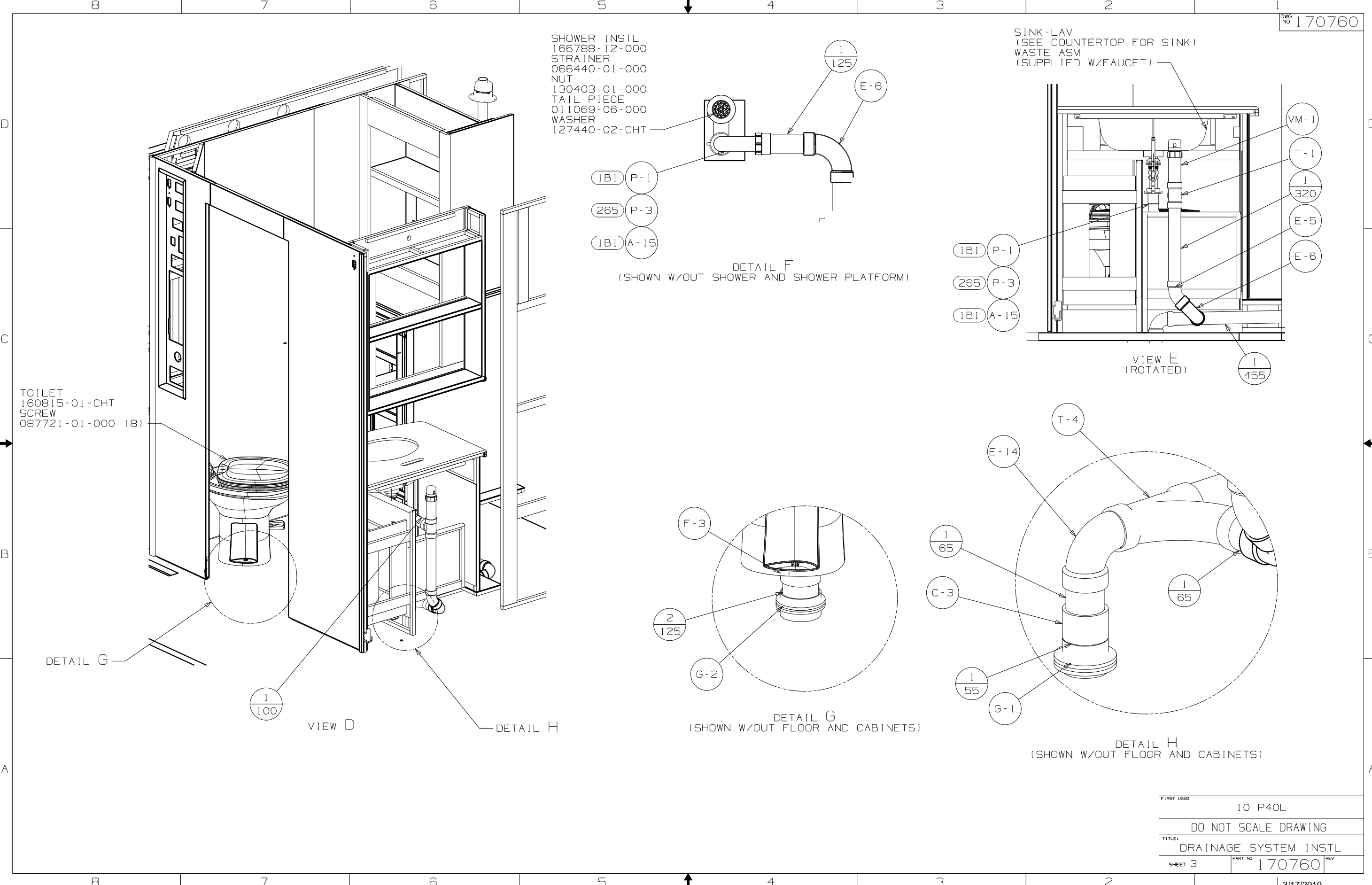
DETAIL L
(265)



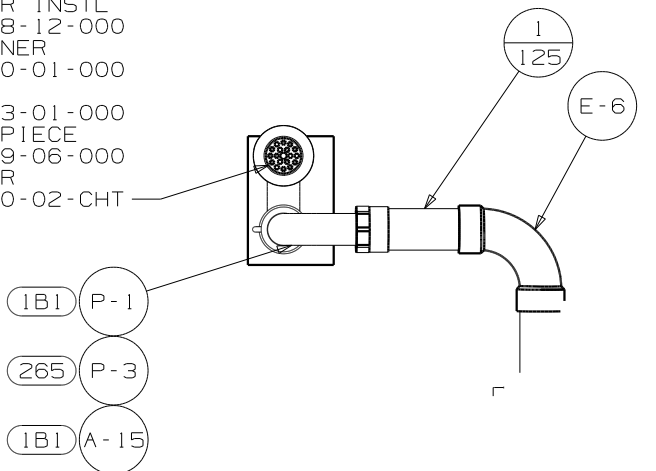
VIEW M

VIEW A
(ROTATED)

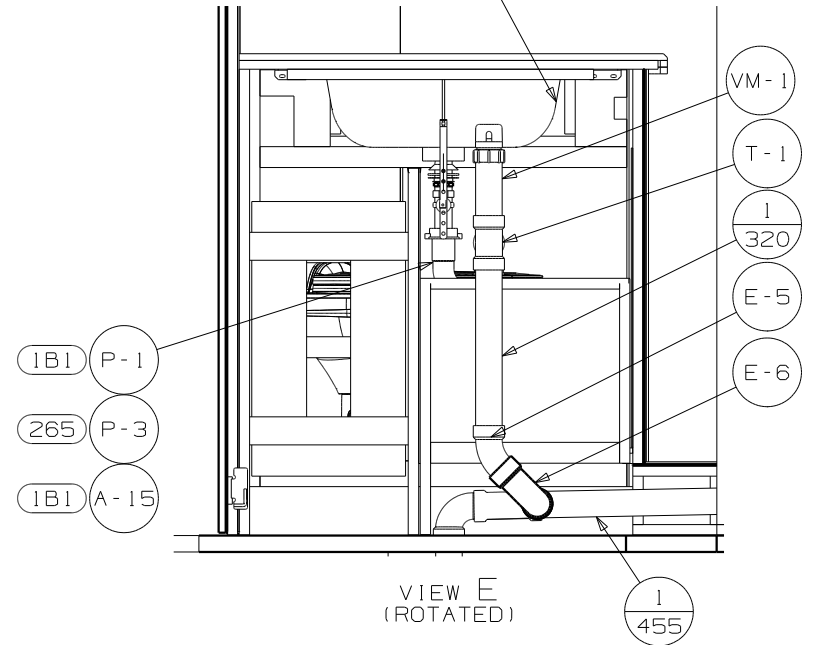
FIRST USED	10 P40L
TITLE	DO NOT SCALE DRAWING
TITLE	DRAINAGE SYSTEM INSTL
SHEET 2	PART NO 170760 REV



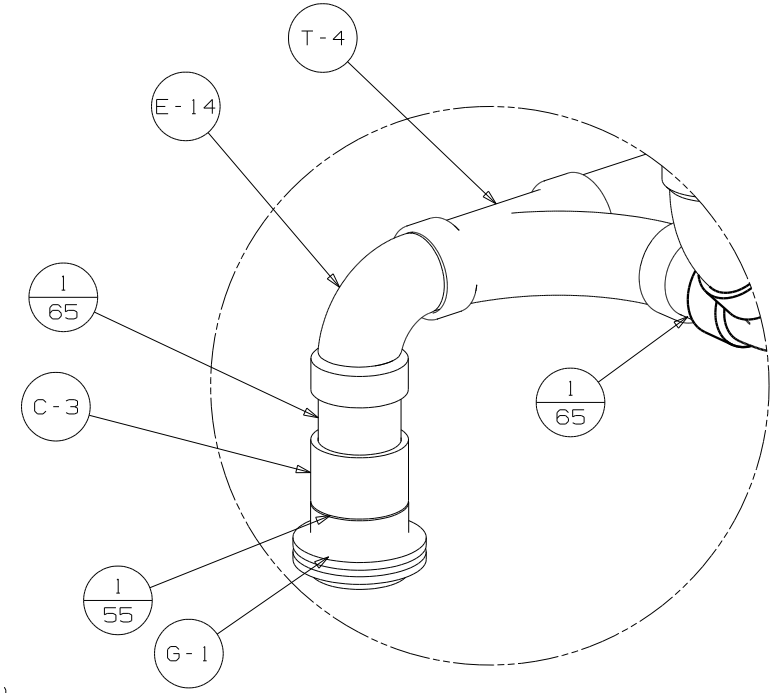
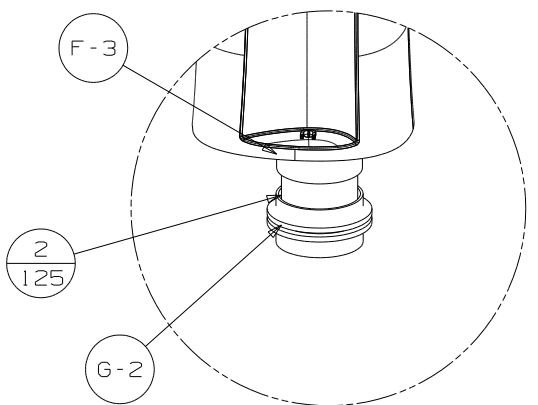
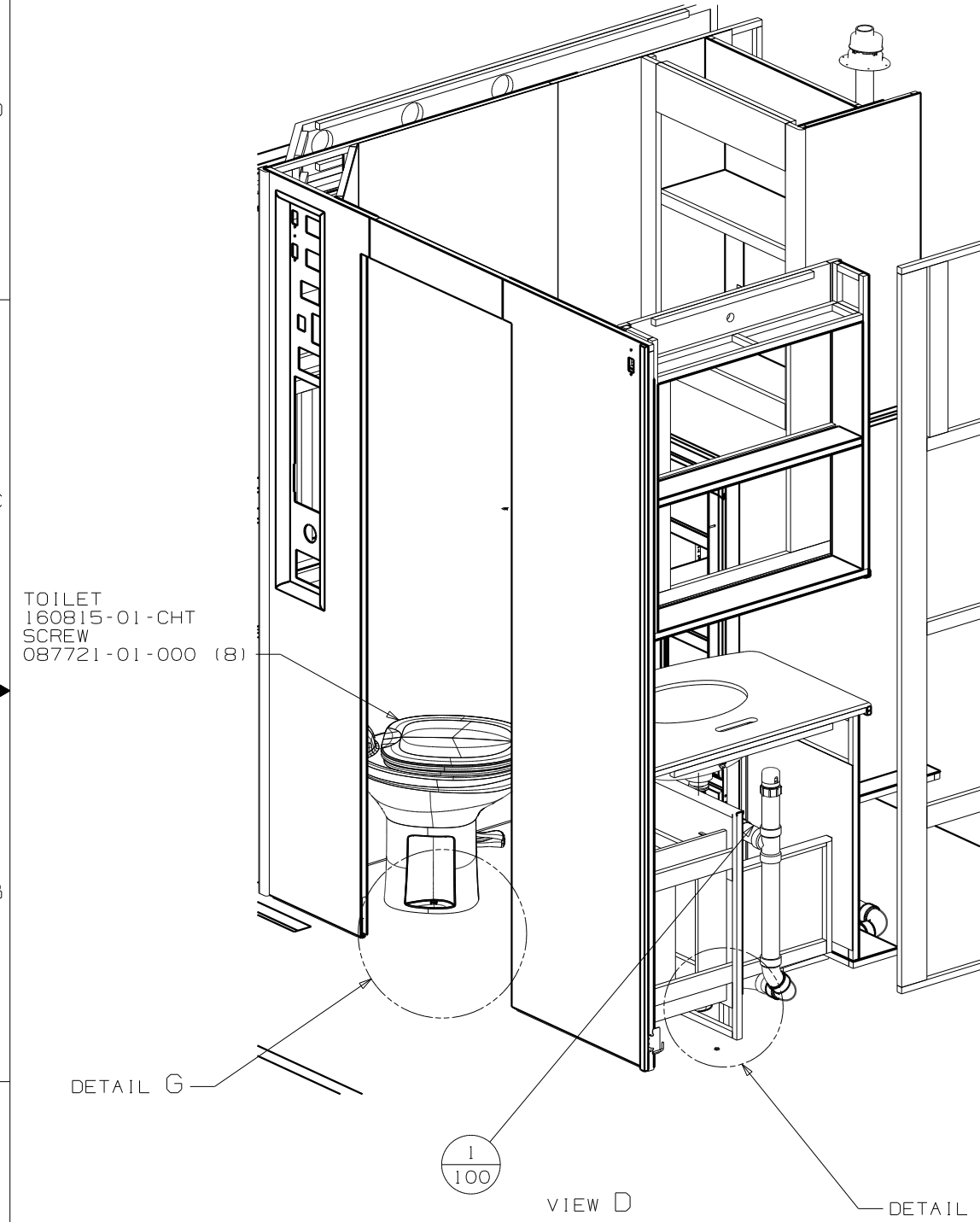
SHOWER INSTL
 166788-12-000
 STRAINER
 066440-01-000
 NUT
 130403-01-000
 TAIL PIECE
 011069-06-000
 WASHER
 127440-02-CHT



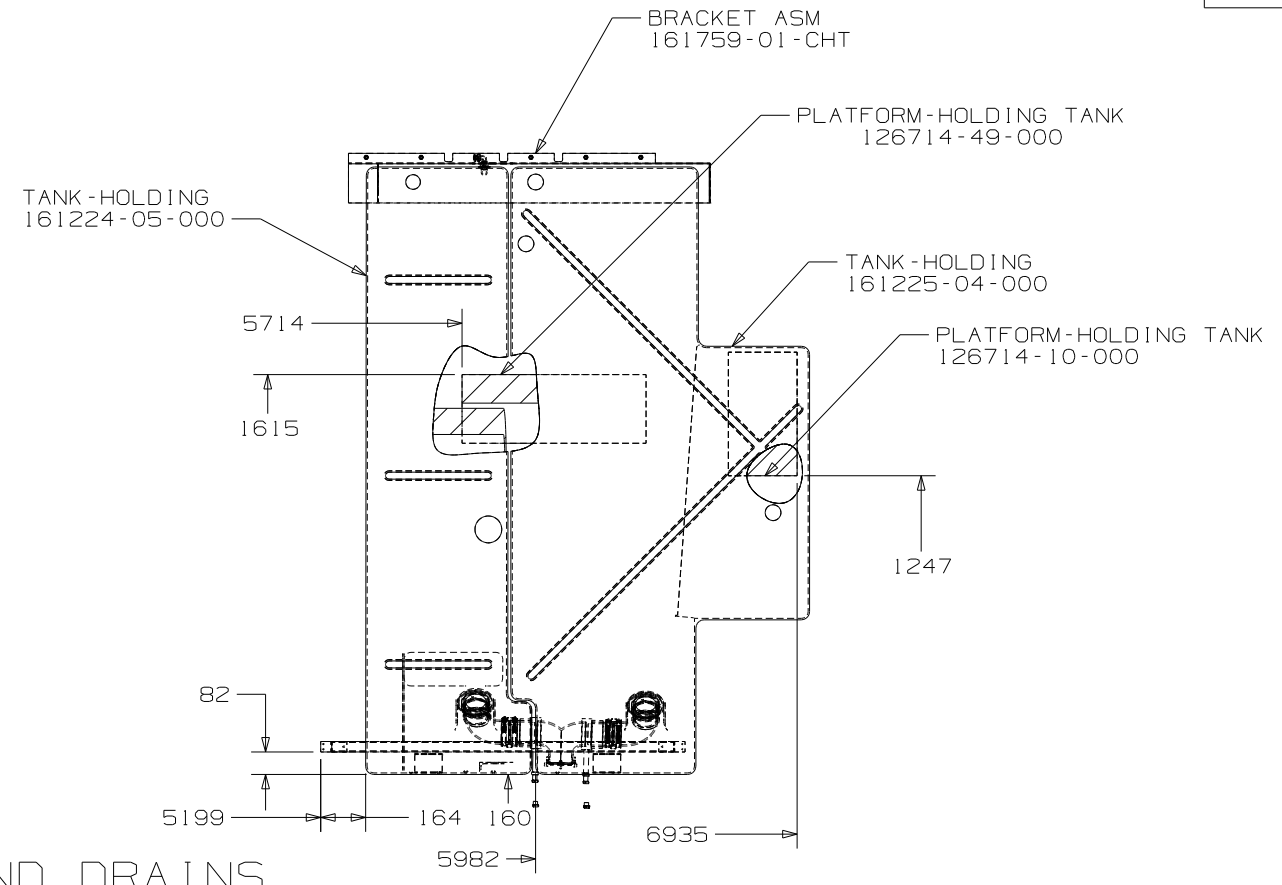
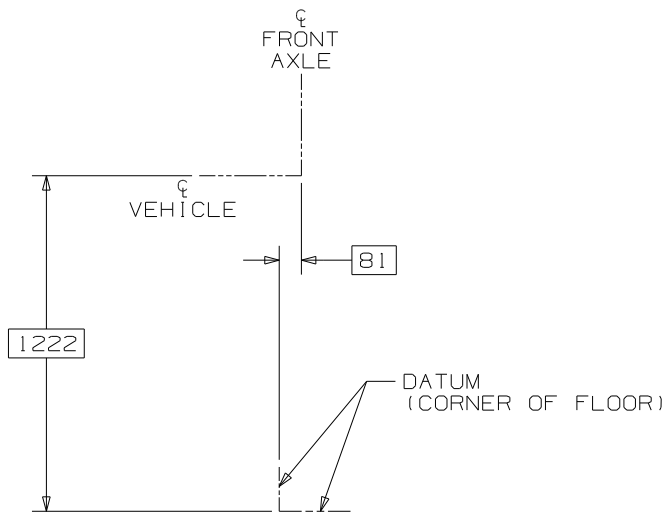
SINK-LAV
 (SEE COUNTERTOP FOR SINK)
 WASTE ASM
 (SUPPLIED W/FAUCET)



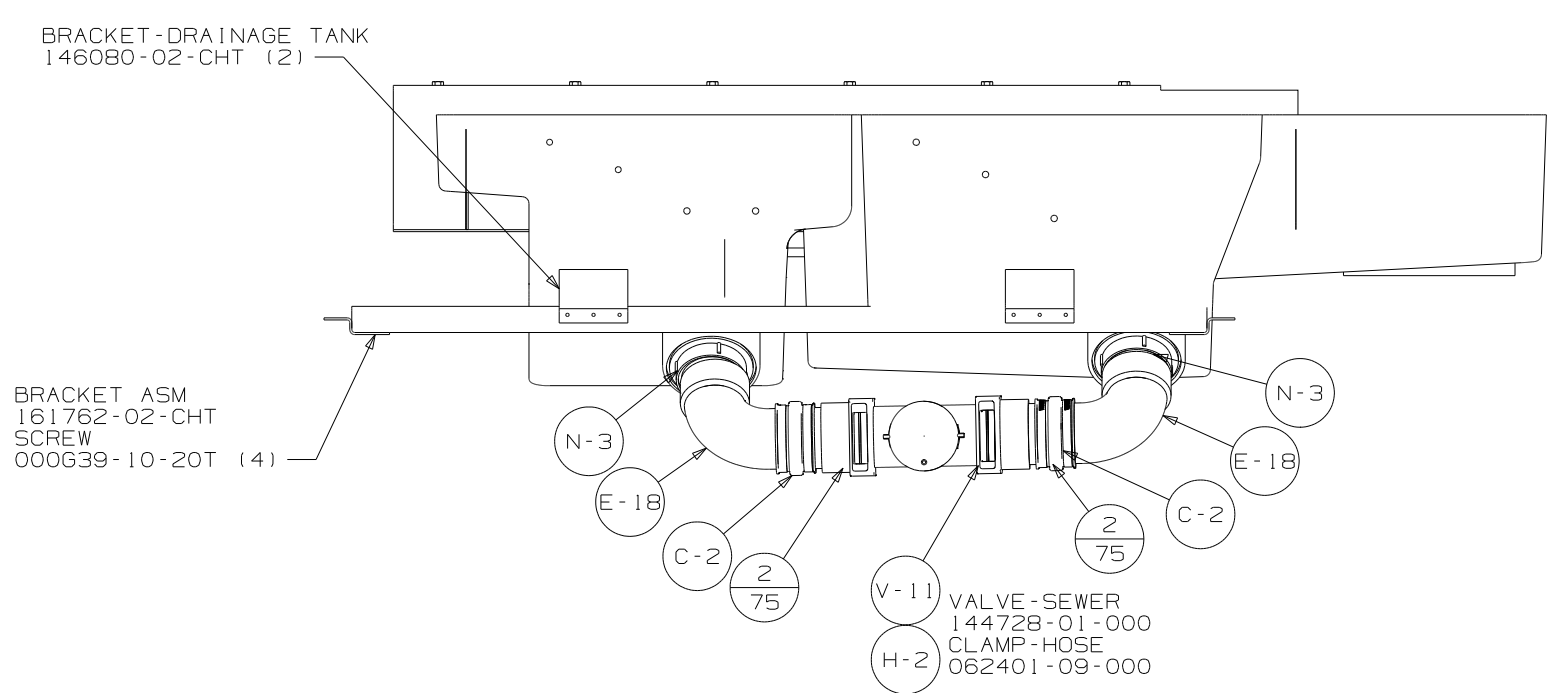
TOILET
 160815-01-CHT
 SCREW
 087721-01-000 (8)



FIRST USED	10 P40L	
DO NOT SCALE DRAWING		
TITLE	DRAINAGE SYSTEM INSTL	
SHEET 3	PART NO 170760	REV

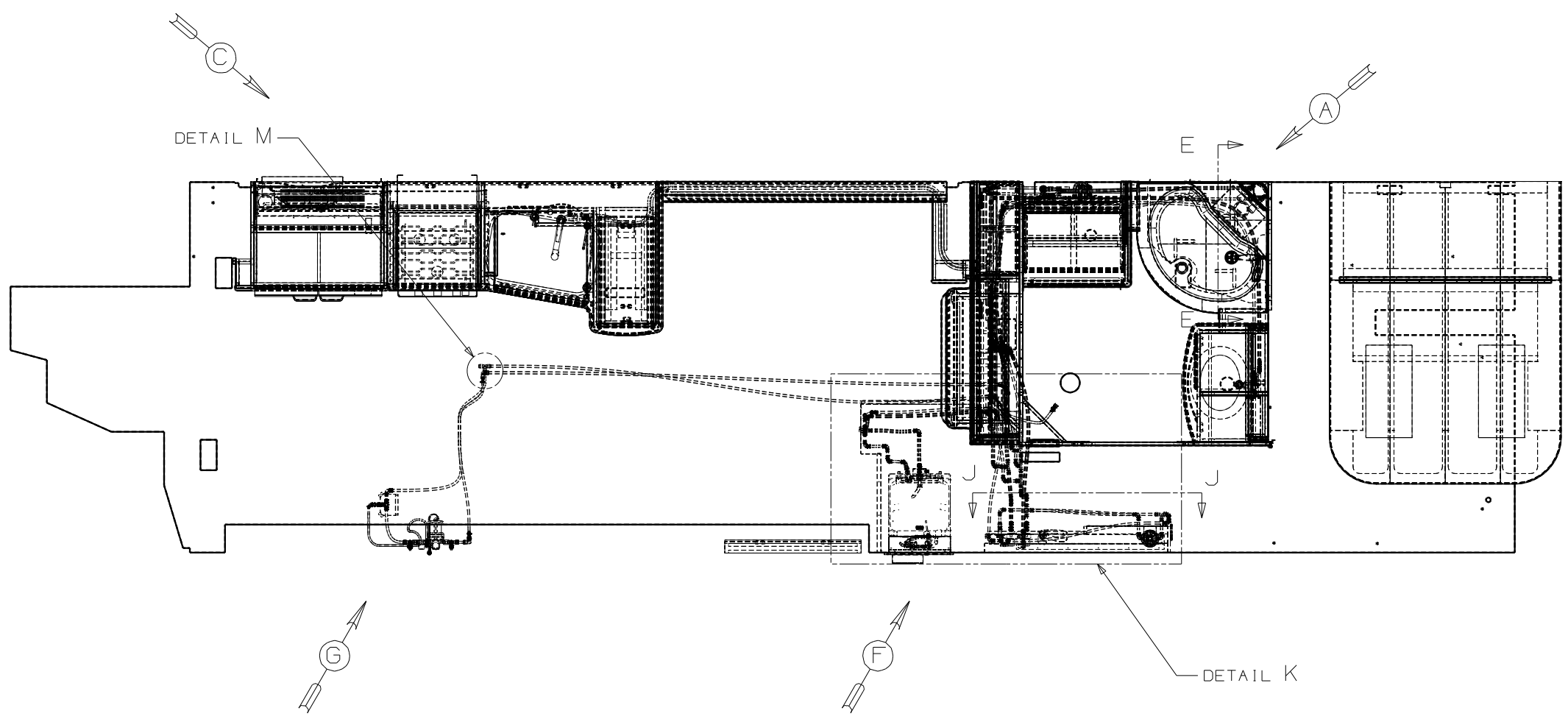


SHOWING ONLY TANKS AND DRAINS



VIEW J

FIRST USED	10 P40L
TITLE	DO NOT SCALE DRAWING
SHEET 4	DRAINAGE SYSTEM INSTL
PART NO	170760
REV	



- NOTES:
- 8 CLAMP ICEMAKER LINE TO SIDEWALL, AWAY FROM BURNER BOX ON REFRIGERATOR.
 - 7 ADD PIPE WRAP (LADDER SCRAP 110157-02-000) INSULATION.
 - 6 ADD TEFLON TAPE 010405-03-000.
 - 5 ADD TEFLON TAPE 010405-02-000.
 - 4 ADD TEFLON TAPE 010405-01-000.
3. ALL TUBING TO BE SECURED AT 1200 INTERVALS MAXIMUM WITH CLAMP 010495-01-000 AND SCREW 000667-10-12B OR EQUIVALENT.
2. TUBING TO BE INSTALLED WITH SUFFICIENT SLOPE TO PROVIDE DRAINAGE TO NEAREST VALVE.
1. PLASTIC FITTINGS TO BE SEALED WITH SEALANT 084456-01-000.

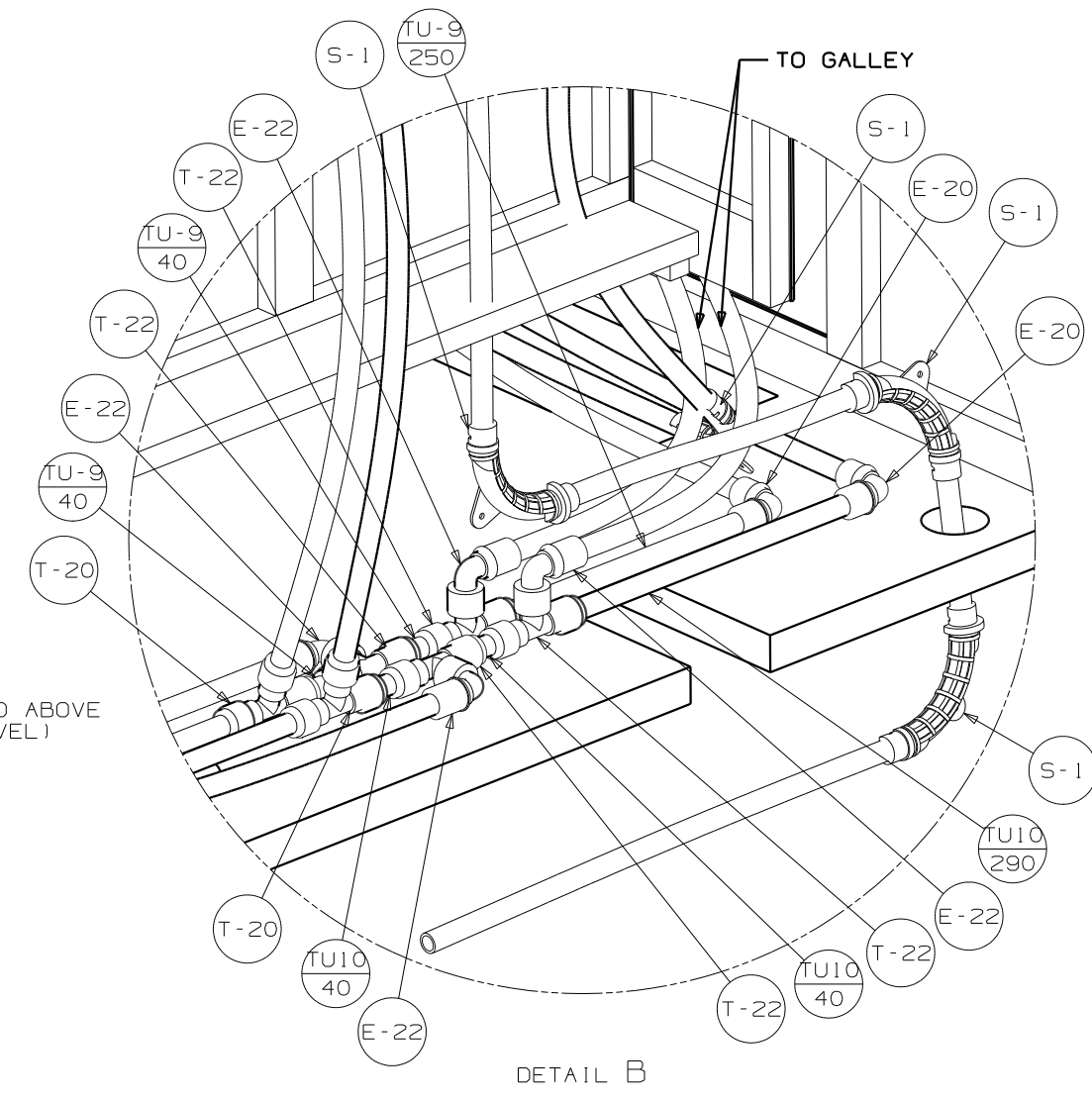
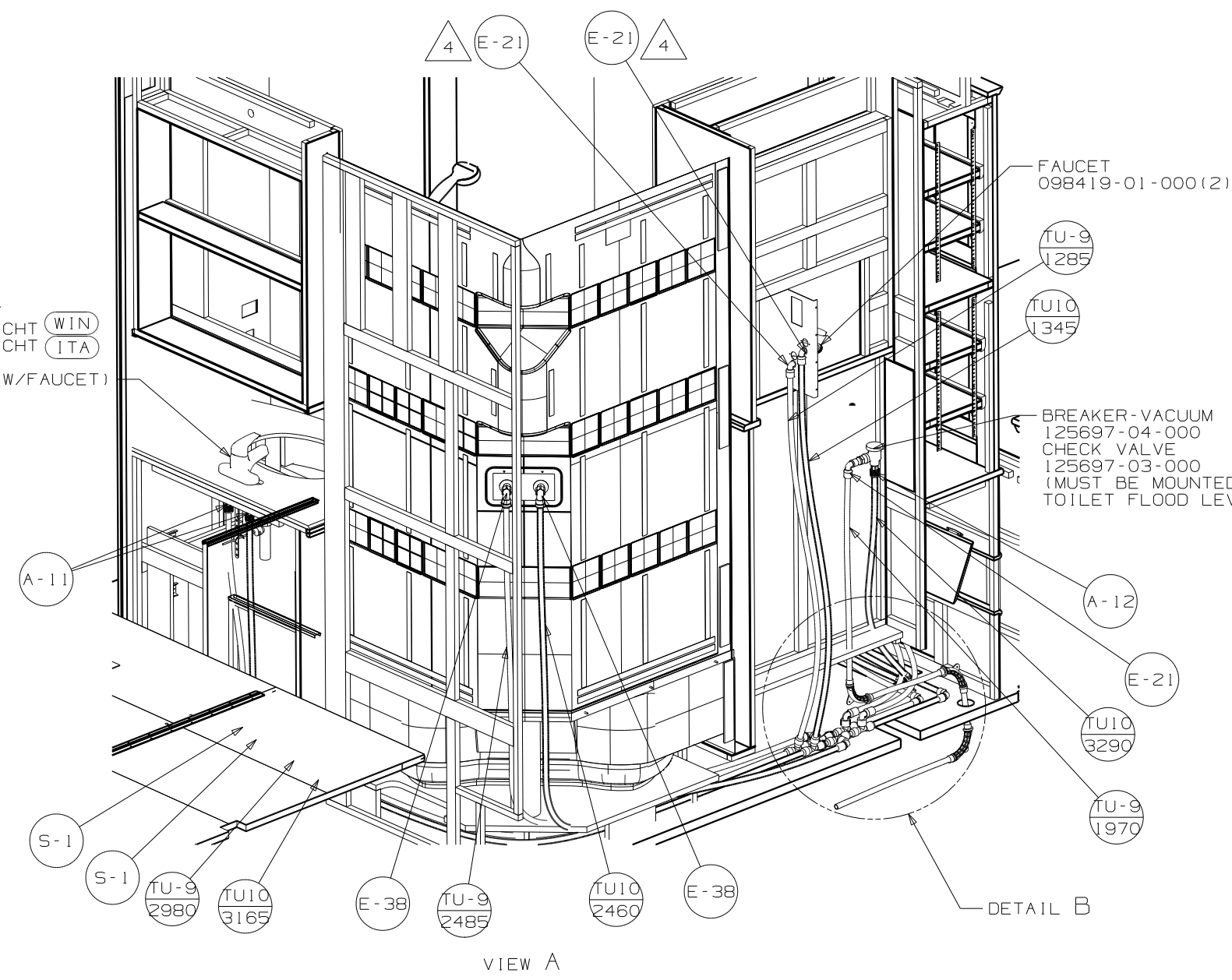
(WIN) WINNEBAGO ONLY
 (ITA) ITASCA ONLY

WINNEBAGO		COPYRIGHT 2010 WINNEBAGO INDUSTRIES, INC.	
DFTR	ORIG. DATE	ALL DIMENSIONS ARE IN MILLIMETERS	
CHKR		FIRST USED	
P.E.		10 P40L	
M.E.		UNSPECIFIED TOLERANCES ARE:	
DSNR		WHOLE DIM (X) : 3	
		ONE-PLACE (X.X) : 1.5	
		TWO-PLACE (X.XX) : 0.50	
		ANGLE : 1°	
THIRD ANGLE PROJECTION		MATERIAL:	
DO NOT SCALE DRAWING		REFER TO ES0018 FOR FASTENER TIGHTENING GUIDELINES	
TITLE: WATER SYSTEM INSTL			
SHEET 1 OF 5	PART NO	170763	REV
REF:	12/19/2010		

(X-X)
 FOR
 WATER
 CALLOUTS
 SEE DWG NO
 116230-01-000

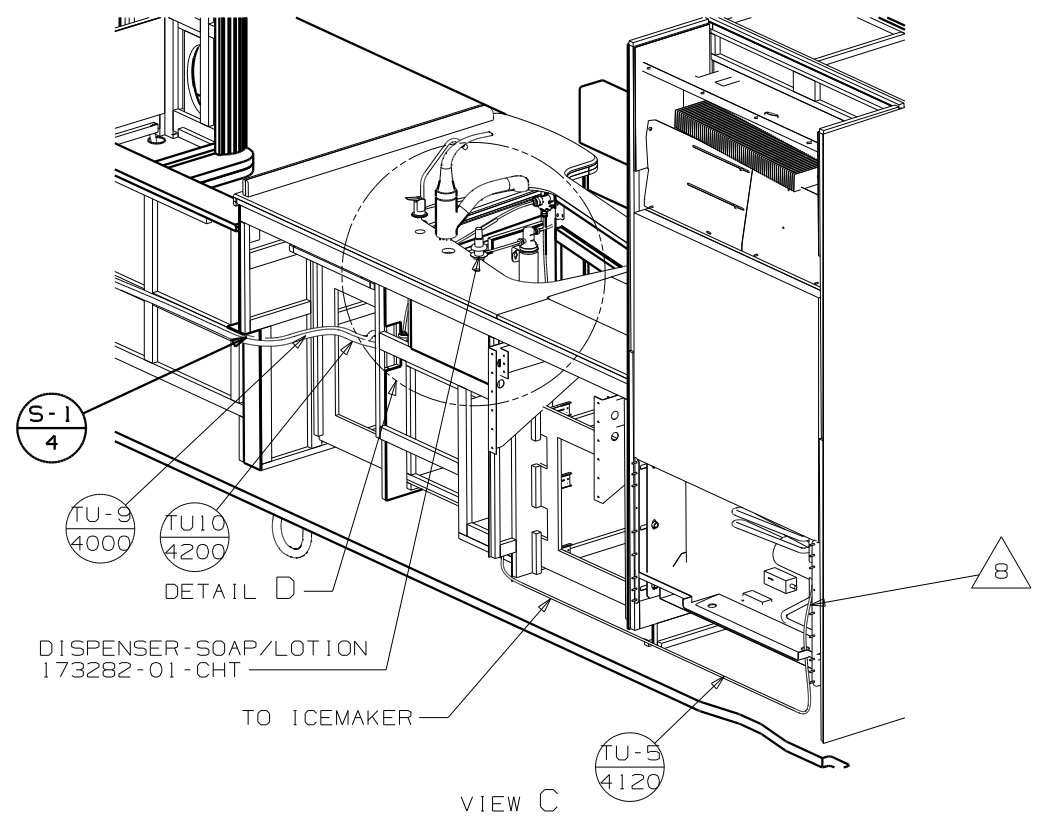
8 7 6 5 4 3 2 1

FAUCET-LAV
 165730-02-CHT (WIN)
 170451-01-CHT (ITA)
 WASTE ASM
 (SUPPLIED W/FAUCET)



FIRST USED	10 P40L		
TITLE	DO NOT SCALE DRAWING		
SHEET 2	PART NO	170763	REV
			12/19/2010

8 7 6 5 4 3 2 1



SHOWER HEAD
129390-03-CHT
SCREW
000612-10-16U(4)

PANEL-SHOWER FAUCET
167738-02-CHT
SCREW
000637-08-129(4)
COVER
166569-01-CHT(4)

VALVE-SHOWER HEAD
128974-01-CHT

FAUCET-WATER PURIFIER
WIN 103635-01-000
ITA 173603-01-CHT

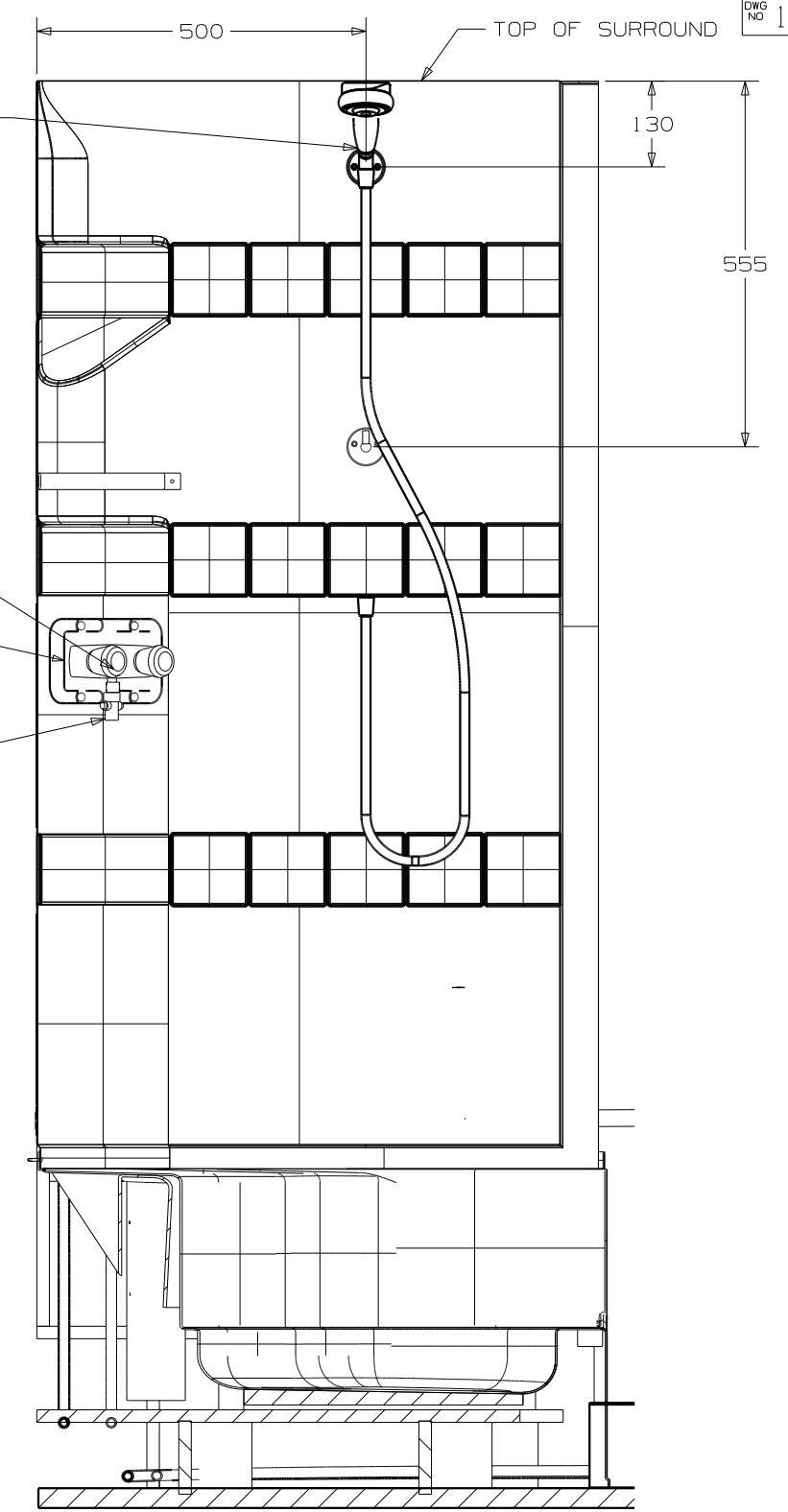
FAUCET-GALLEY
123744-03-CHT

FILTER KIT
160946-01-000

BRASS-ADAPTER
146297-01-000

BRASS-ADAPTER
146297-01-000

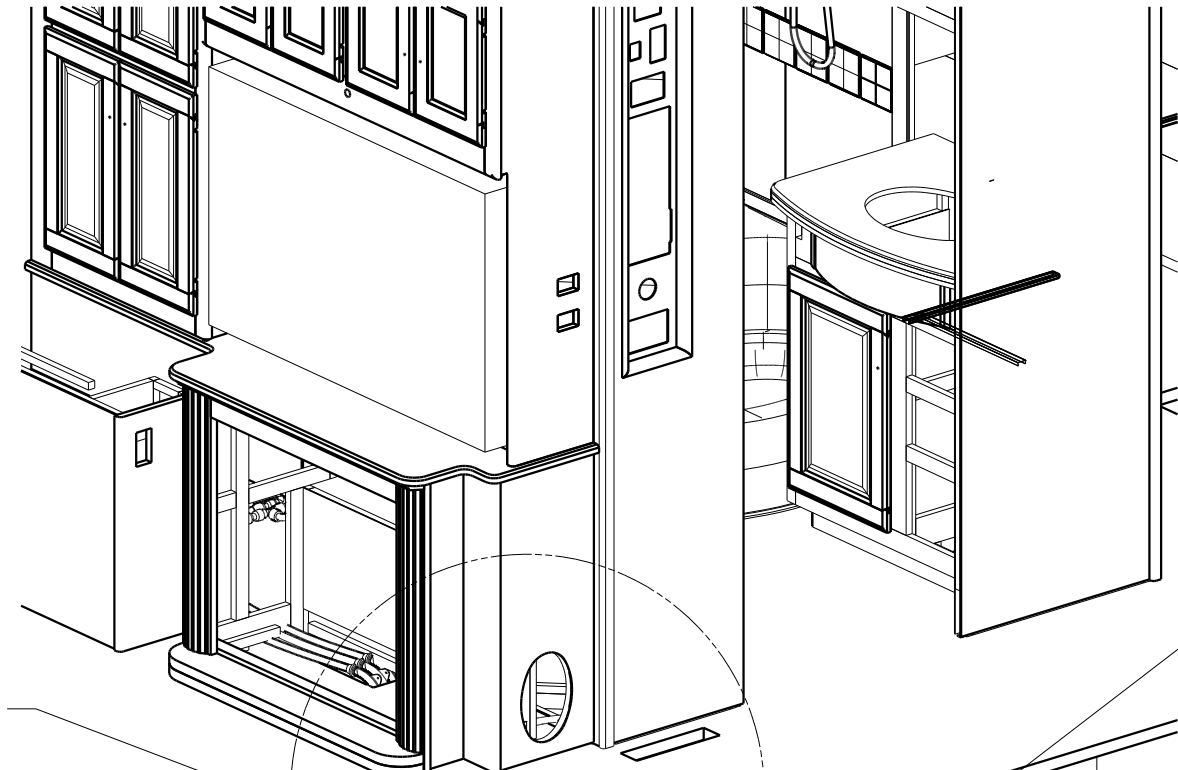
DETAIL D
(SHOWN W/OUT CABINETS)



SECTION E-E
(ROTATED)

FIRST USED	10 P40L
TITLE	DO NOT SCALE DRAWING
SHEET 3	PART NO 170763
REV	12/19/2010

8 7 6 5 4 3 2 1



DETAIL H

- TU-9
465
- TU10
365
- T-20
- TU10
45
- V-11

- PANEL - CLOSEOUT
172764-01-CHT
SCREW
000G39-10-12U(7)
- PANEL - CLOSEOUT
172763-01-CHT
SCREW
000G39-10-12U(5)
- PANEL - CLOSEOUT
172765-01-CHT
SCREW
000G39-10-12U(5)

VIEW F

- WATER-HTR
145541-01-000
- DOOR
125420-01-CHT
- PLATE-WATER HEATER
144898-02-CHT
(TAB GOES REARWARD)
- SCREW
000G39-10-10U(16)
- BUMPER INSTL
146507-01-000

FLUSHING SYSTEM
125697-05-000

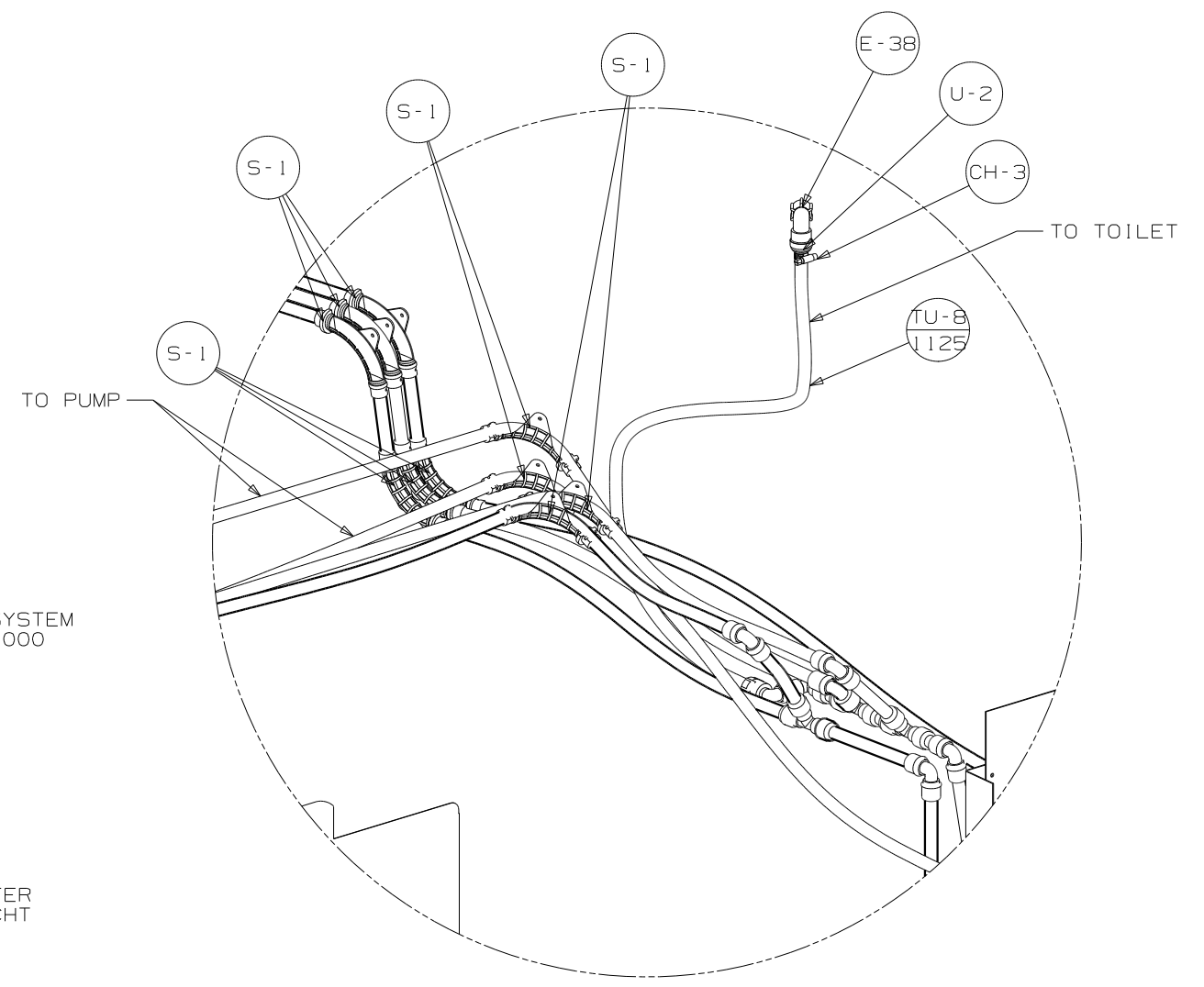
- E-21
- E-21

WRENCH-FILTER
155482-03-CHT

FILTER KIT
155482-01-CHT
SCREW
000G11-10-12U(4)

SERVICE CENTER ASM
163268-04-XXX

- F-13
- F-2
- V-13
- SH-1



DETAIL H
(SHOWN W/OUT CABINETS & FLOOR)

FIRST USED	10 P40L
TITLE	DO NOT SCALE DRAWING
SHEET 4	PART NO 170763
	REV

8 7 6 5 4 3 2 1

