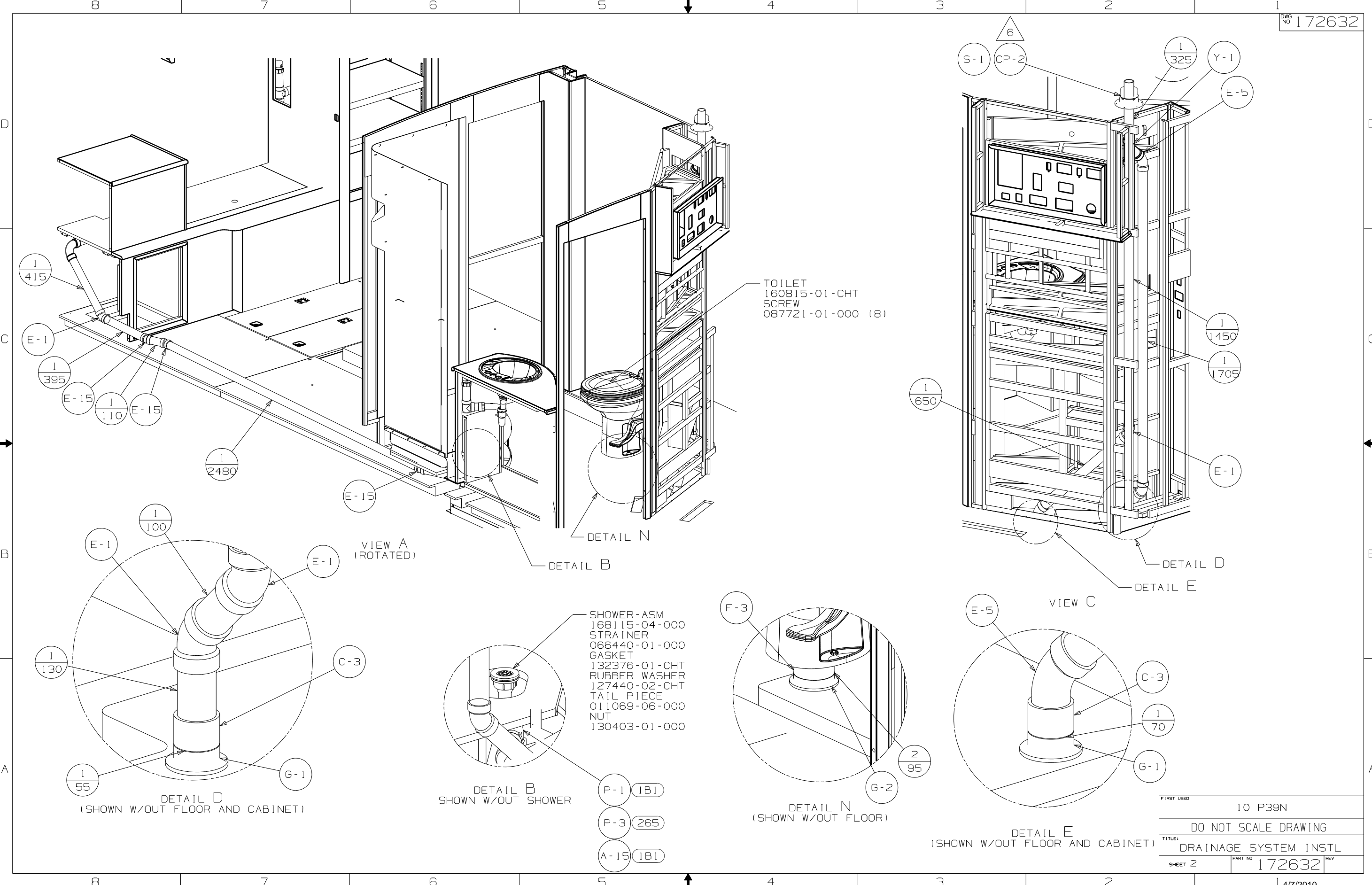


- (265) CODES/STANDARDS - CSA/CMVSS
- (1B1) CODES/STANDARDS - USA
- (54E) WASHER/DRYER
- (21M) WASHER/DRYER PREP
- (1D3) EXTERIOR ENT CTR - W/ TV
- (299) EXTERIOR ENT CTR - W/OUT

- NOTES:
9. SECURE PIPES TO FLOOR USING BRACKET 136878-01-CHT(3) CLAMP 062401-02-000(3) AND SCREW 000667-10-12B(3).
 8. SECURE PIPES TO CABINET USING WIRE TIE 108046-02-000 AND SCREW 000667-10-12U(8).
 7. SEE DWG 061607-01-000 FOR INSTL OF GROMMET.
 6. VENT PIPE MUST PROJECT 51 MIN AND 64 MAX ABOVE ROOF FOR PROPER FIT AND FUNCTION.
 5. SEAL AROUND SHOWER WITH SILICONE.
 4. USE SMOOTH PLUMBERS PUTTY 167459-01-000 TO SEAL STRAINER (0.2 PER STRAINER).
 3. ALL PIPE AND FITTINGS TO BE ASSEMBLED WITH SOLVENT 004020-01-000 (US) 004020-02 (CAN).
 2. SLOPE OF TRAP ARM MUST BE 6 PER 305 mm.
 1. SLOPE OF HORIZONTAL PIPING TO BE MIN 3 PER 305 mm.

WINNEBAGO		COPYRIGHT 2010 WINNEBAGO INDUSTRIES, INC.	
DFTR	ORIG. DATE	ALL DIMENSIONS ARE IN MILLIMETERS	
CHKR		FIRST USED	
P.E.		10 P39N	
M.E.		UNSPECIFIED TOLERANCES ARE:	
DSNR		WHOLE DIM (X) :	3
		ONE-PLACE (X.X) :	1.5
		TWO-PLACE (X.XX) :	0.50
		ANGLE :	1°
THIRD ANGLE PROJECTION		MATERIAL:	
DO NOT SCALE DRAWING		REFER TO ES0018 FOR FASTENER TIGHTENING GUIDELINES	
TITLE: DRAINAGE SYSTEM INSTL			
SHEET 1 OF 4	PART NO	172632	REV
REF:	1 4/7/2010		

(X-X)
FOR
WATER
CALLOUTS
SEE DWG NO
116229-01-000



TOILET
160815-01-CHT
SCREW
087721-01-000 (8)

SHOWER-ASM
168115-04-000
STRAINER
066440-01-000
GASKET
132376-01-CHT
RUBBER WASHER
127440-02-CHT
TAIL PIECE
011069-06-000
NUT
130403-01-000

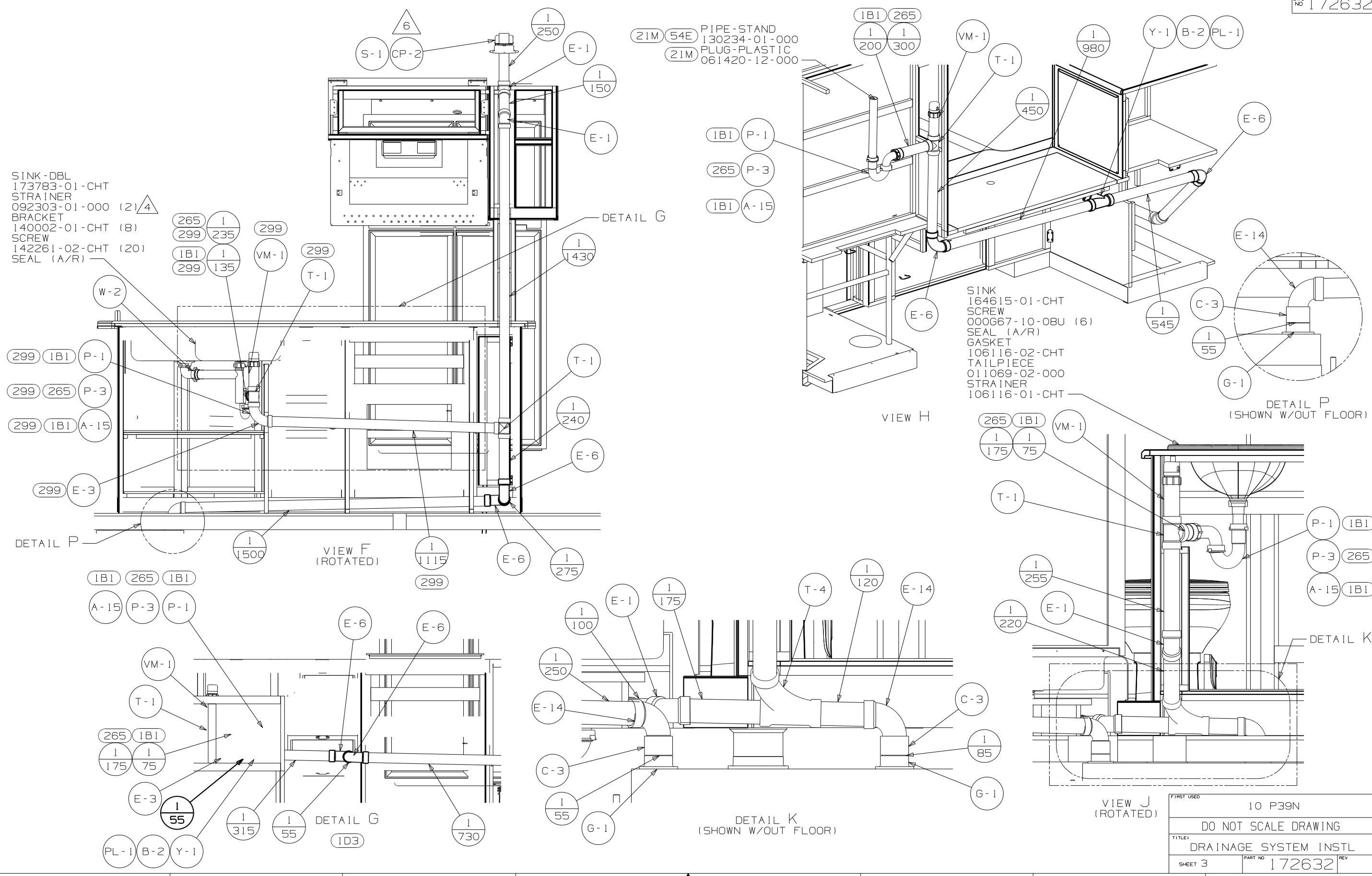
FIRST USED	10 P39N
TITLE	DO NOT SCALE DRAWING DRAINAGE SYSTEM INSTL
SHEET 2	PART NO 172632 REV

SINK-DBL
173783-01-CHT
STRAINER
092303-01-000 (2) (4)
BRACKET
140002-01-CHT (8)
SCREW
142261-02-CHT (20)
SEAL (A/R)

(2IM) (54E) PIPE-STAND
130234-01-000
(2IM) PLUG-PLASTIC
061420-12-000

SINK
164615-01-CHT
SCREW
000667-10-08U (6)
SEAL (A/R)
GASKET
106116-02-CHT
TAILPIECE
011069-02-000
STRAINER
106116-01-CHT

FIRST USED	10 P39N
TITLE	DO NOT SCALE DRAWING
DRAINAGE SYSTEM INSTL	
SHEET 3	PART NO 172632 REV



BRACKET-TANK, HOLDING
161534-06-CHT
BOLT
106956-03-000 (2)
WASHER-LOCK
000E11-08-00B (2)
WASHER
000E13-22-00B (2)

TANK ASM-HOLDING
165641-02-000

TANK ASM-HOLDING
165640-02-000

BRACKET-TANK, HOLDING
161534-05-CHT
BOLT
106956-03-000 (2)
WASHER-LOCK
000E11-08-00B (2)
WASHER
000E13-22-00B (2)

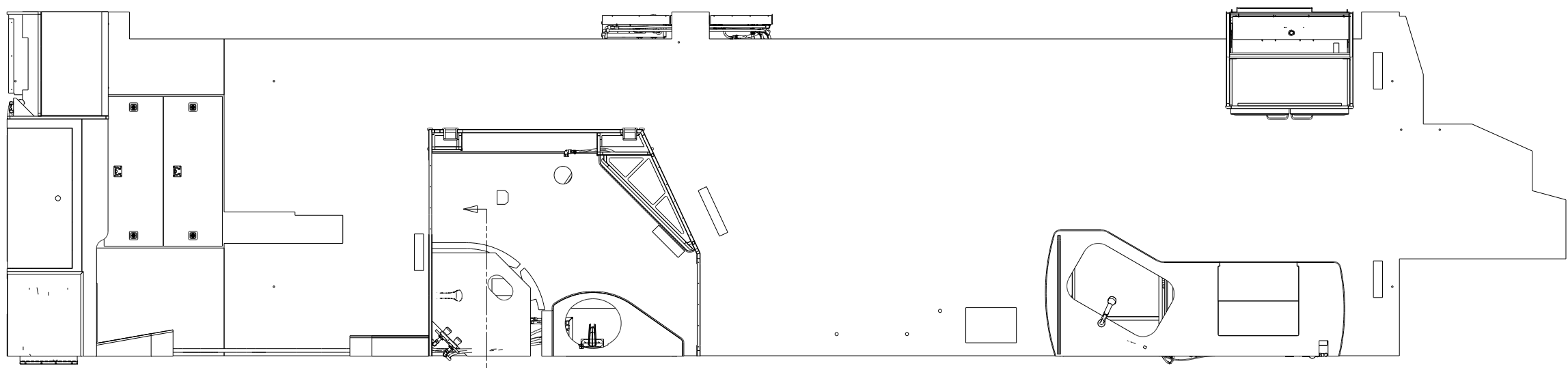
TANK ASM-HOLDING
165639-02-000

BRACKET-TANK, HOLDING
161534-02-CHT
BOLT
106956-03-000 (2)
WASHER-LOCK
000E11-08-00B (2)
WASHER
000E13-22-00B (2)

VIEW M
(BELOW FLOOR SHOWN ONLY)

VIEW L

FIRST USED	10 P39N	
TITLE	DO NOT SCALE DRAWING	
TITLE	DRAINAGE SYSTEM INSTL	
SHEET 4	PART NO 172632	REV



- NOTES:
- 5 ADD TEFLON TAPE 010405-02-000.
 - 4 ADD TEFLON TAPE 010405-01-000.
 - 3. ALL TUBING TO BE SECURED AT 1200 INTERVALS MAXIMUM WITH CLAMP 010495-01-000 AND SCREW 000667-10-12B OR EQUIVALENT.
 - 2. TUBING TO BE INSTALLED WITH SUFFICIENT SLOPE TO PROVIDE DRAINAGE TO NEAREST VALVE.
 - 1. PLASTIC FITTINGS TO BE SEALED WITH SEALANT 084456-01-000.

WINNEBAGO		COPYRIGHT 2010 WINNEBAGO INDUSTRIES, INC.	
DTR	ORIG. DATE	ALL DIMENSIONS ARE IN MILLIMETERS	
CHKR		MATERIAL: 10 P39N	
P.E.		UNSPECIFIED TOLERANCES ARE: WHOLE DIM (X.) : 3 ONE-PLACE (X.X) : 1.5 TWO-PLACE (X.XX) : 0.50 ANGLE : 1°	
M.E.	FIRST USED	THIRD ANGLE PROJECTION	
DSNR		DO NOT SCALE DRAWING REFER TO ES0018 FOR FASTENER TIGHTENING GUIDELINES	
TITLE: WATER SYSTEM INSTL			
SHEET 1 OF 5	PART NO	172631	REV

FOR
WATER
CALLOUTS
SEE DWG NO
116230-01-000



8

7

6

5

4

3

2

1

8

7

6

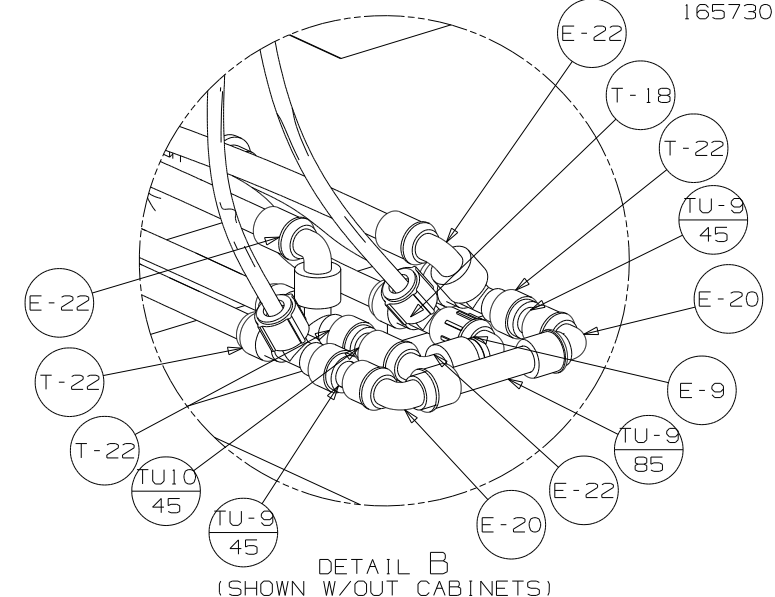
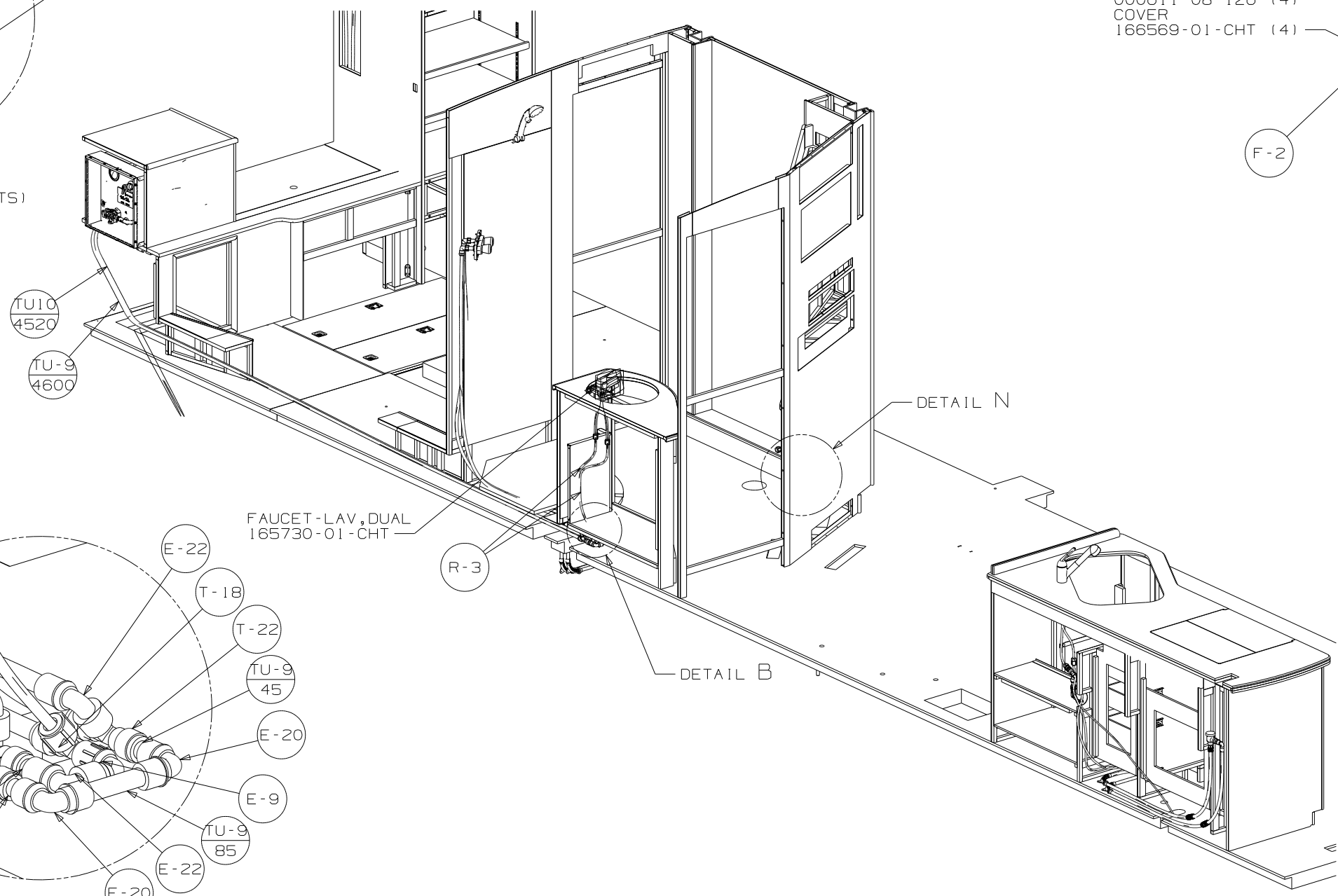
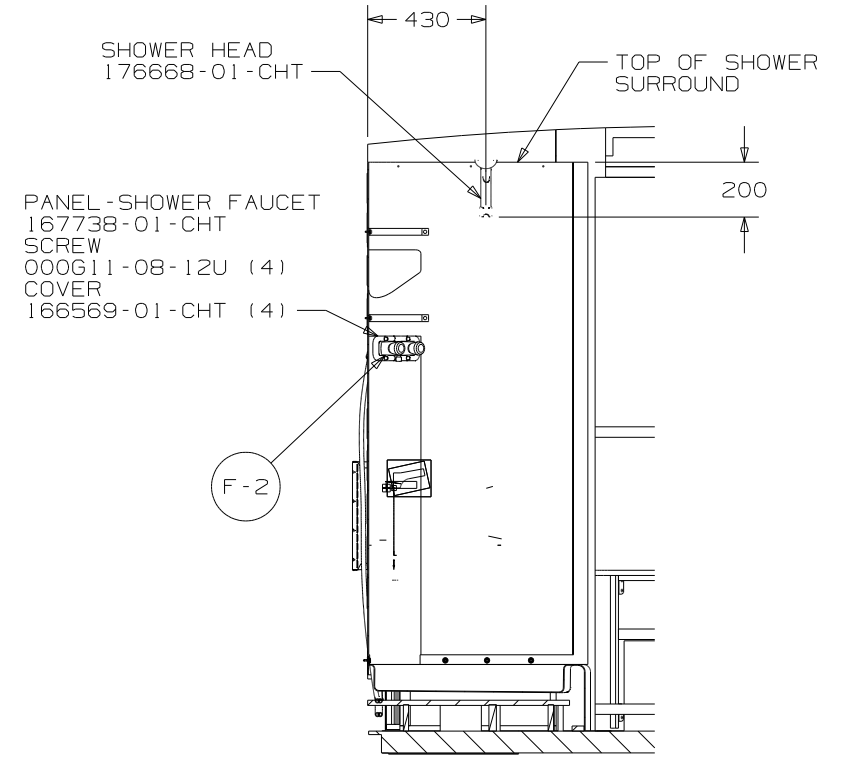
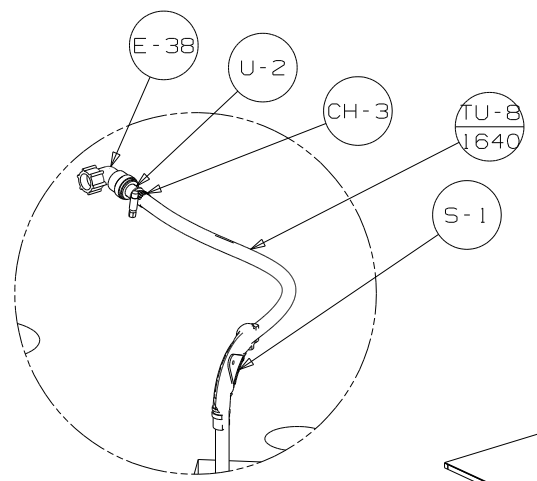
5

4

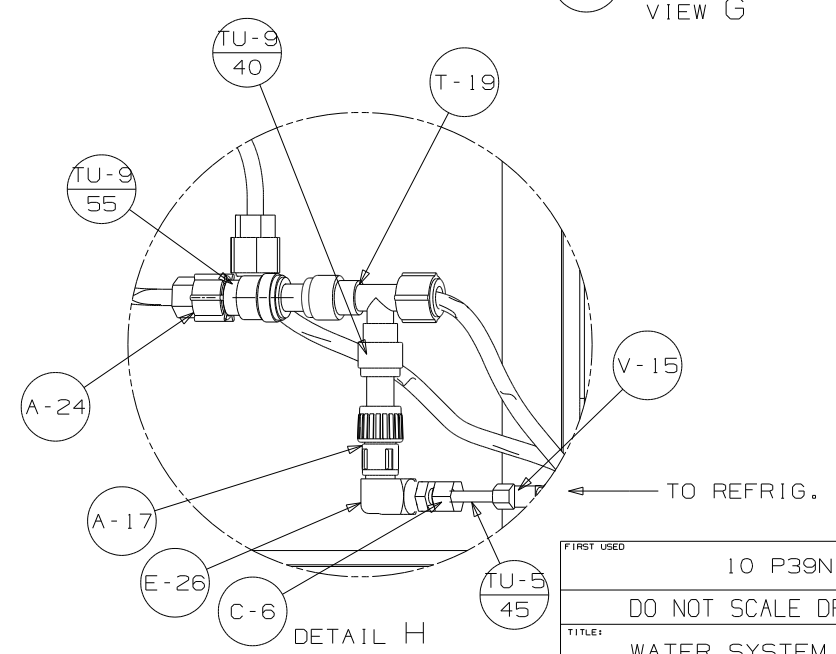
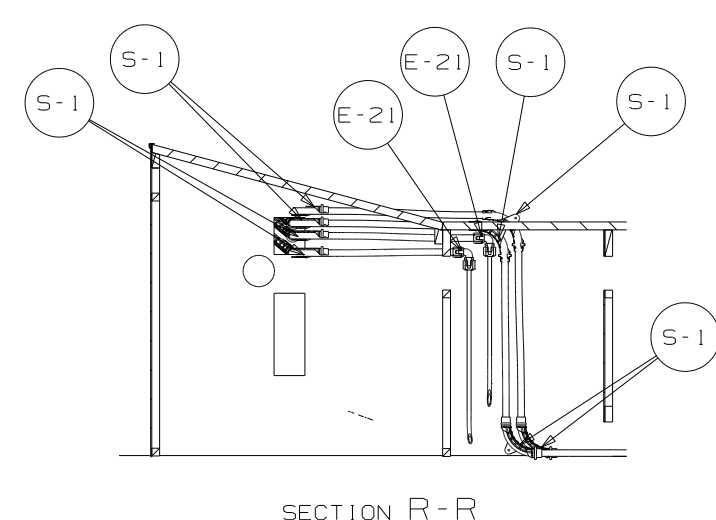
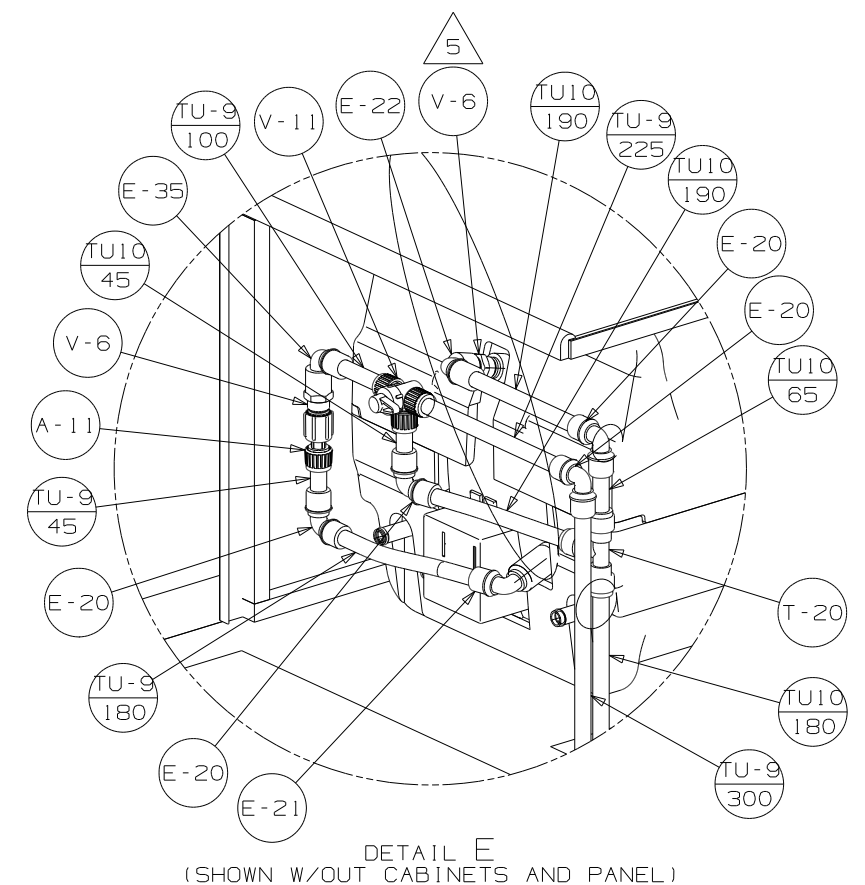
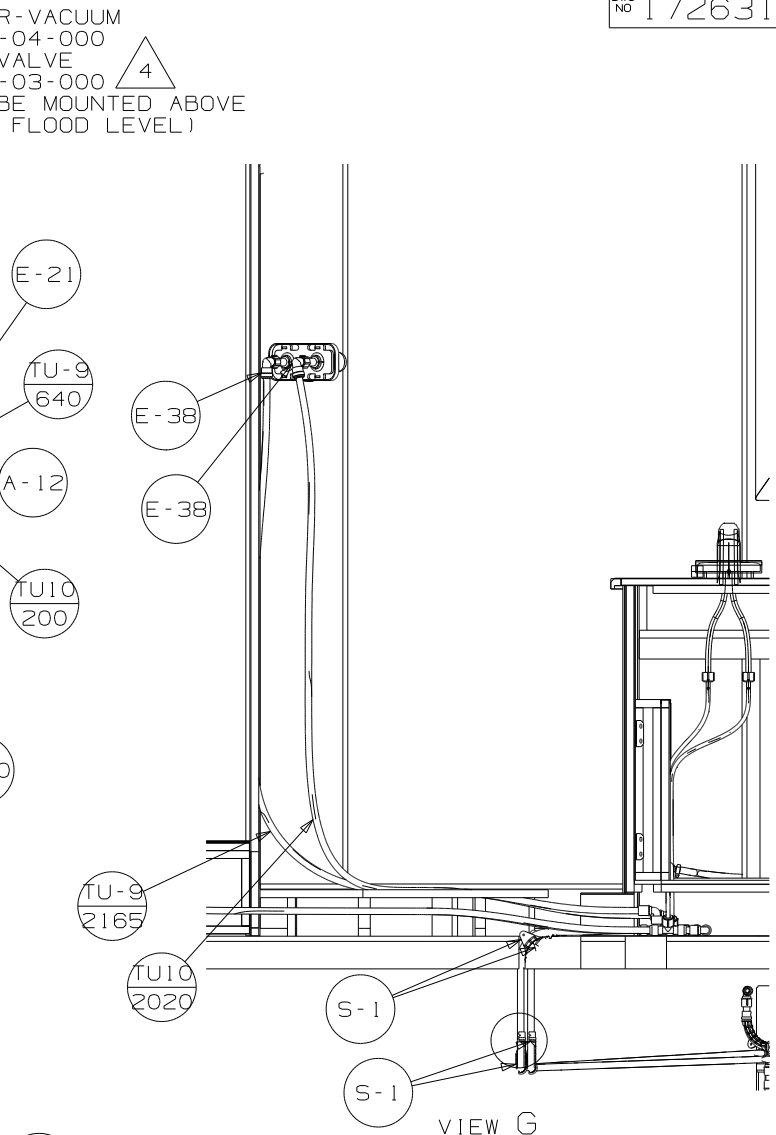
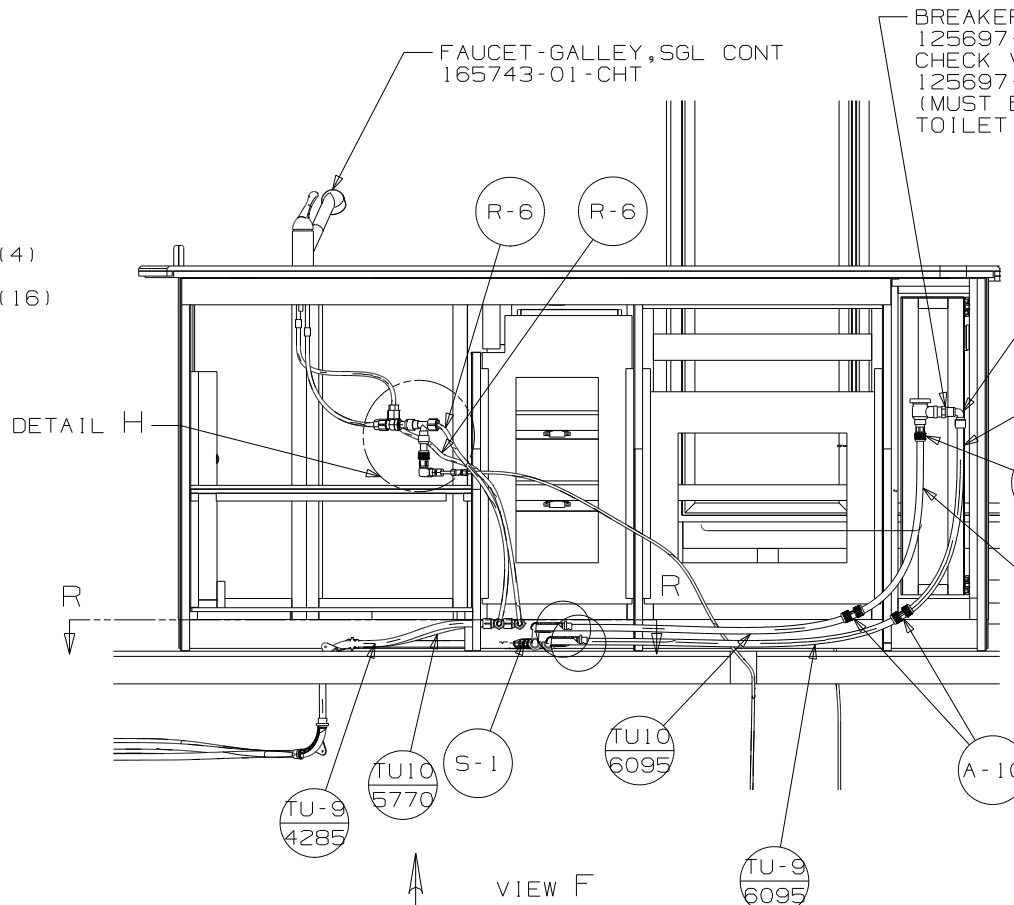
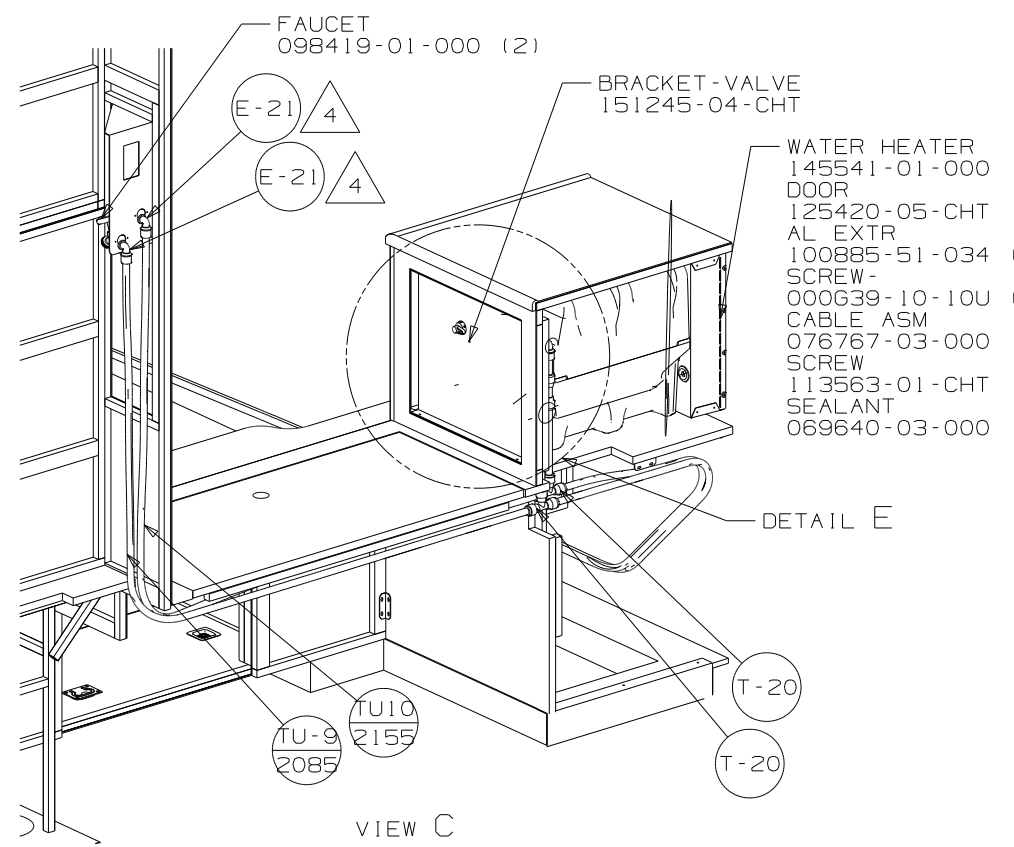
3

2

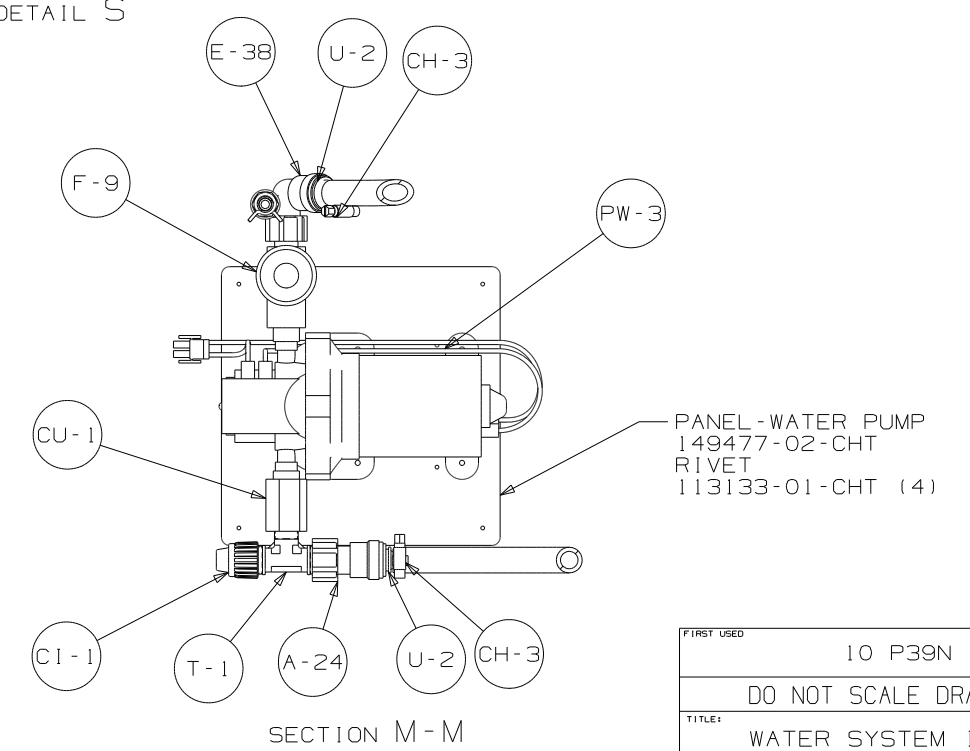
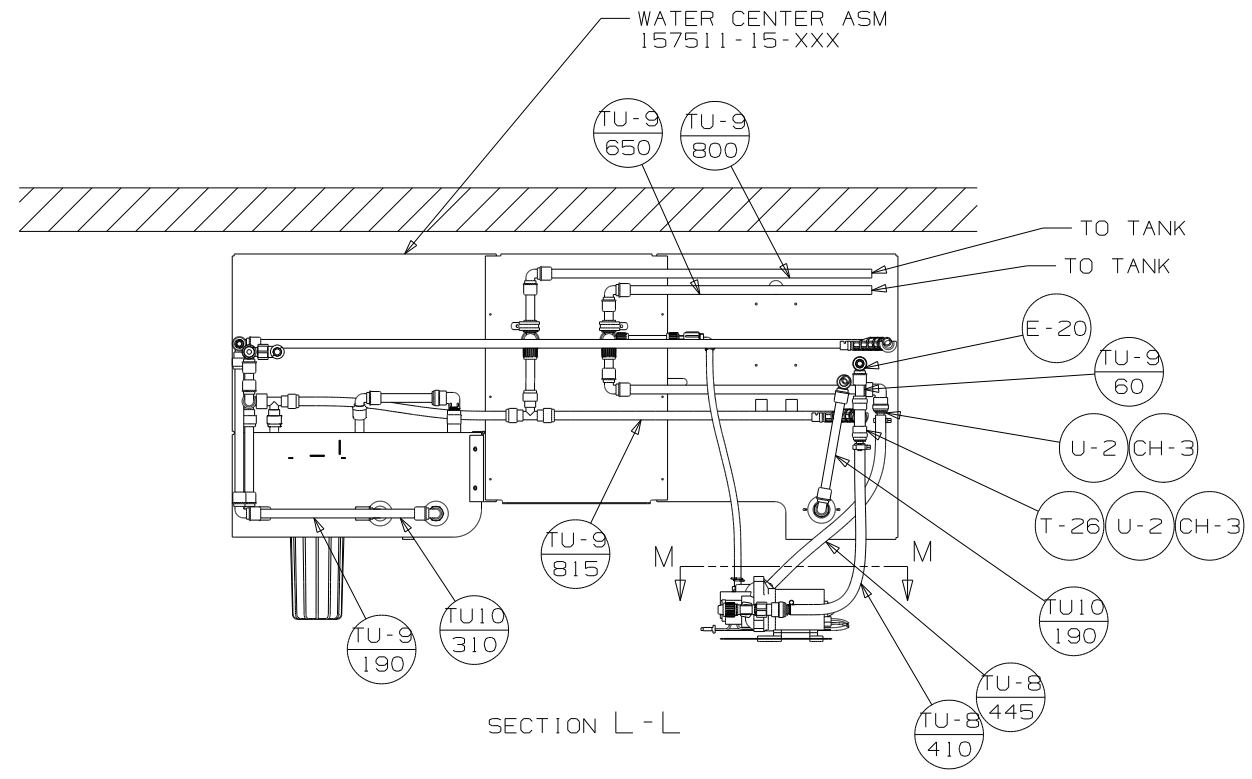
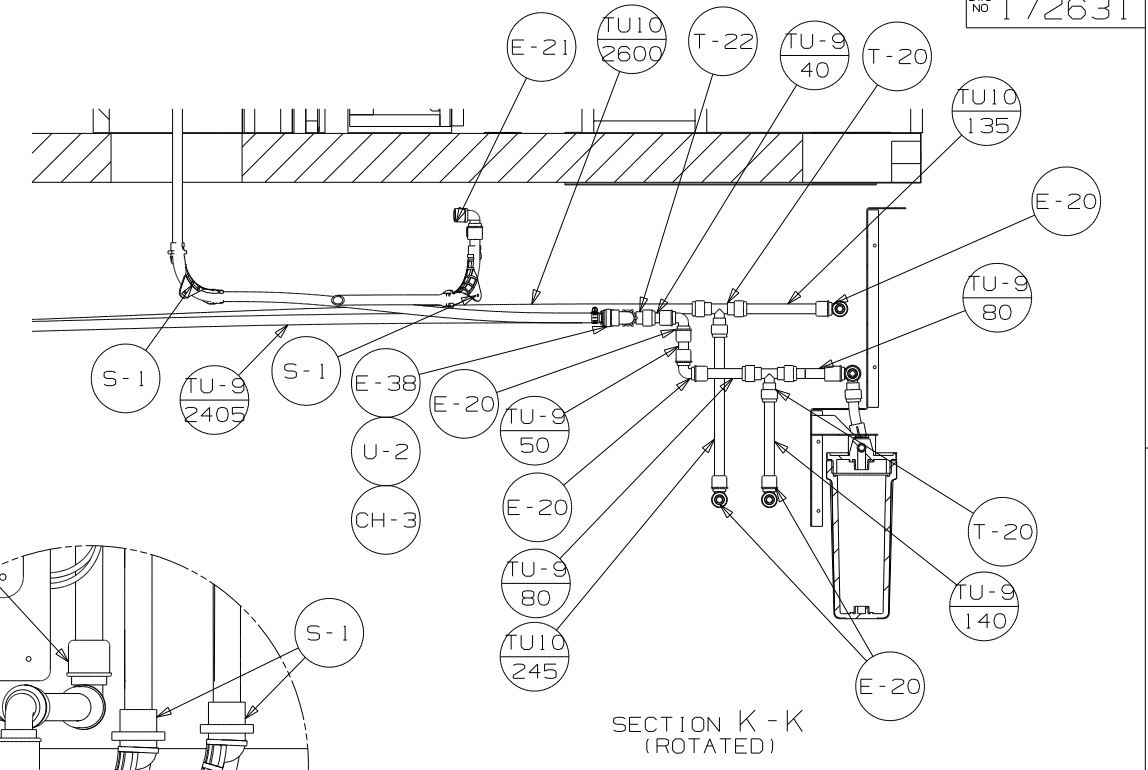
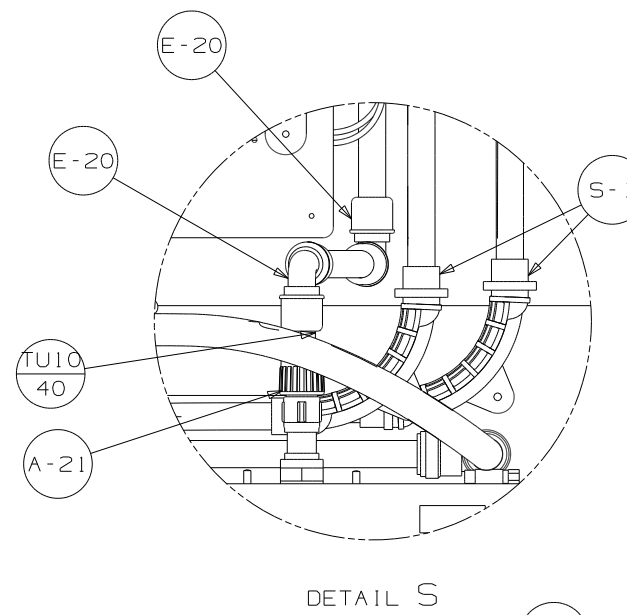
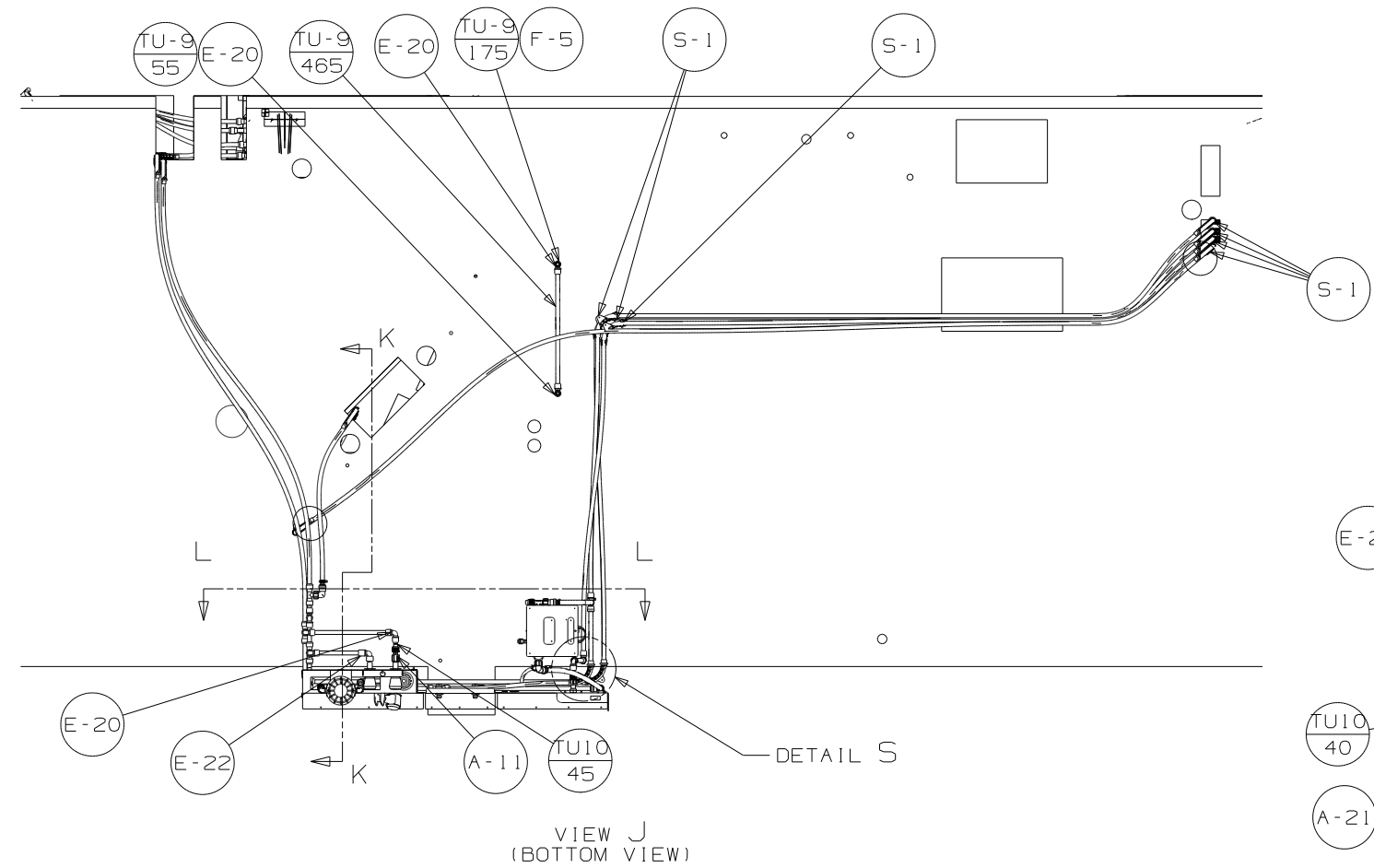
1 5/5/2010



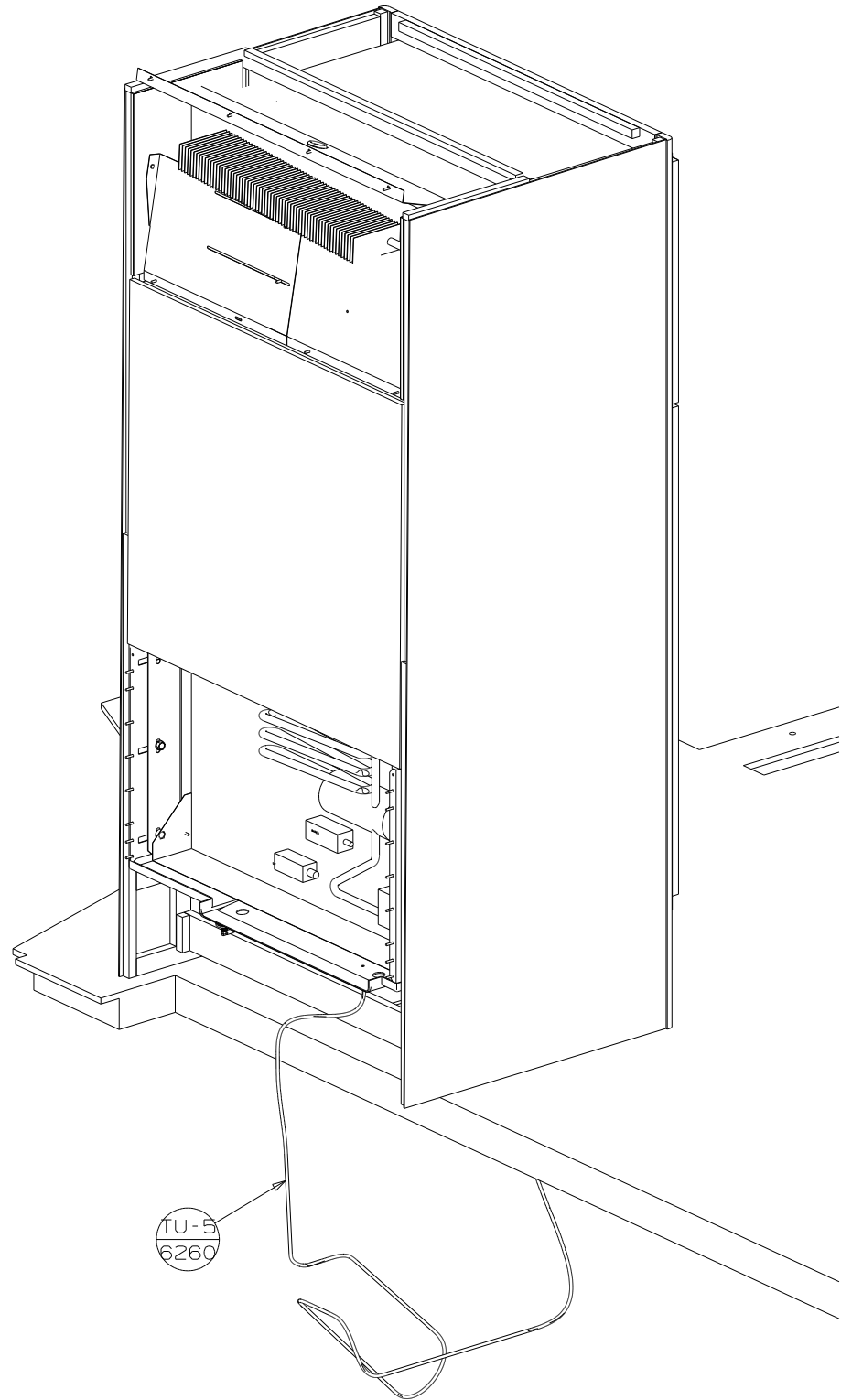
FIRST USED	10 P39N	
TITLE	DO NOT SCALE DRAWING	
SHEET 2	PART NO 172631	REV
1 5/5/2010		



FIRST USED	10 P39N
DO NOT SCALE DRAWING	
TITLE:	WATER SYSTEM INSTL
SHEET 3	PART NO 172631 REV



FIRST USED	10 P39N
TITLE	DO NOT SCALE DRAWING
SHEET 4	PART NO 172631 REV
	1 5/5/2010



VIEW P
(ROTATED)

FIRST USED	10 P39N		
TITLE	DO NOT SCALE DRAWING		
TITLE	WATER SYSTEM INSTL		
SHEET 5	PART NO	172631	REV