

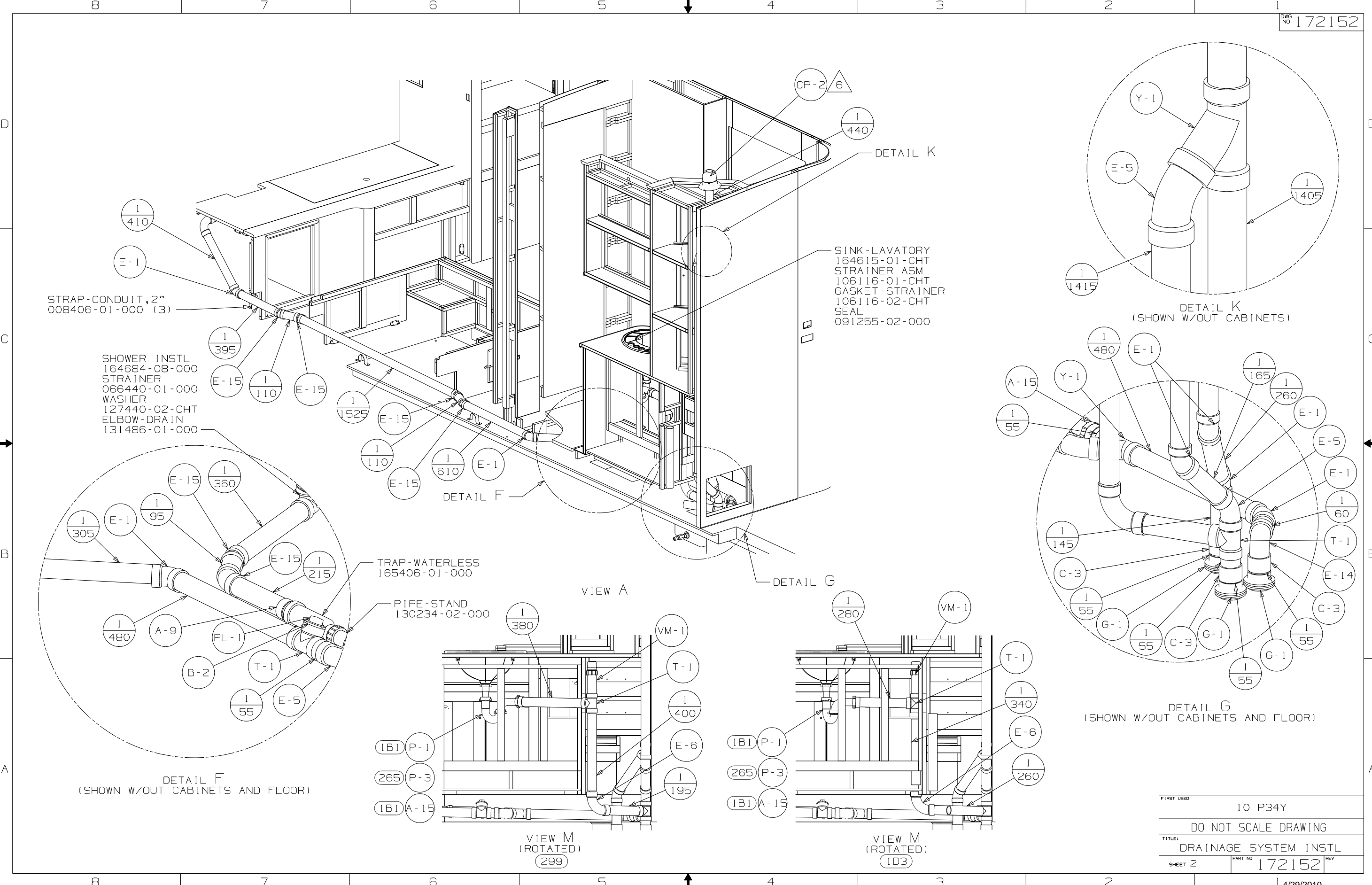
- (1D3) ENTERTAIN CENTR/EXT TV-DVD
- (299) ENTERTAIN CENTER EXT.W/O
- (21M) WASHER/DRYER PREP
- (54E) WASHER/DRYER\_COMBO

- 9 USE SMOOTH PLUMBERS PUTTY 167459-01-000 TO SEAL STRAINER (0.2 PER STRAINER).
- 8. SECURE DRAINAGE PIPES TO CABINET USING WIRE TIE 108046-02-000, AND SCREW 000667-10-12B AT INTERVALS OF NOT MORE THAN 4 FEET APART.
- 7 SECURE VENT PIPE TO FLOOR WITH CLAMP 062401-02-000 (2),SCREW 000667-10-12B (2), BRACKET 136878-01-CHT (2).
- 6 VENT PIPE MUST PROJECT 51 MIN AND 64 MAX ABOVE ROOF FOR PROPER FIT AND FUNCTION. ADD S-1 (116666-01-CHT SEAL-VENT PIPE) AROUND PIPE ON ROOF BEFORE VENT CAP IS INSTALLED.
- 5. SEAL AROUND SHOWER WITH SILICONE.
- 4. DO NOT ATTACH ANY OTHER SYSTEM TO PIPE-FLEX 126426-01.
- 3. ALL PIPE AND FITTINGS TO BE ASSEMBLED WITH SOLVENT 004020-01-000 (USA), 004020-02-000 (CAN)
- 2. SLOPE OF TRAP ARM MUST BE 6 PER 305 mm.
- 1. SLOPE OF HORIZONTAL PIPING TO BE MINIMUM OF 3 PER 305 mm.

<b>WINNEBAGO</b>		COPYRIGHT 2010 WINNEBAGO INDUSTRIES, INC.	
DFTF	ORIG. DATE	ALL DIMENSIONS ARE IN MILLIMETERS	
CHKR		FIRST USED	
P.E.		10 P34Y	
M.E.		UNSPECIFIED TOLERANCES ARE:	
DSNR		WHOLE DIM (X,X) : 3	
		ONE-PLACE (X,X) : 1.5	
		TWO-PLACE (X,XX) : 0.50	
		ANGLE : 1°	
		THIRD ANGLE PROJECTION	
DO NOT SCALE DRAWING		REFER TO ES0018 FOR FASTENER TIGHTENING GUIDELINES	
TITLE: DRAINAGE SYSTEM INSTL			
SHEET 1 OF 4	PART NO	172152	REV
REF:	1 4/29/2010		

(X-X)  
FOR  
DRAINAGE  
CALLOUTS  
SEE DWG NO  
116229-01-000

NOTES:



STRAP-CONDUIT, 2"  
008406-01-000 (3)

SHOWER INSTL  
164684-08-000  
STRAINER  
066440-01-000  
WASHER  
127440-02-CHT  
ELBOW-DRAIN  
131486-01-000

SINK-LAVATORY  
164615-01-CHT  
STRAINER ASM  
106116-01-CHT  
GASKET-STRAINER  
106116-02-CHT  
SEAL  
091255-02-000

TRAP-WATERLESS  
165406-01-000

PIPE-STAND  
130234-02-000

DETAIL K  
(SHOWN W/OUT CABINETS)

DETAIL G  
(SHOWN W/OUT CABINETS AND FLOOR)

DETAIL F  
(SHOWN W/OUT CABINETS AND FLOOR)

VIEW M  
(ROTATED)  
(299)

VIEW M  
(ROTATED)  
(103)

FIRST USED	10 P34Y
TITLE	DO NOT SCALE DRAWING
TITLE	DRAINAGE SYSTEM INSTL
SHEET 2	PART NO 172152 REV

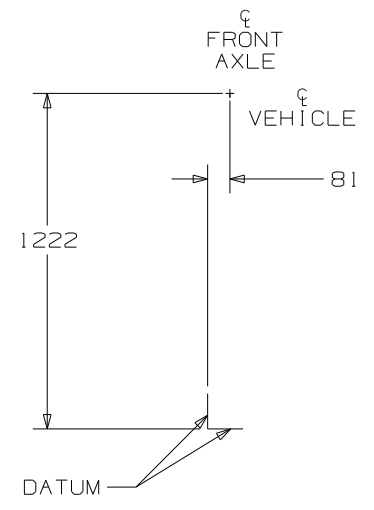


NIPPLE  
135386-01-000 (2)  
COUPLING-FEMALE  
101814-01-000

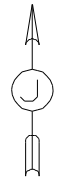
TANK-HOLDING  
166827-03-CHT

TANK-HOLDING  
166826-03-CHT

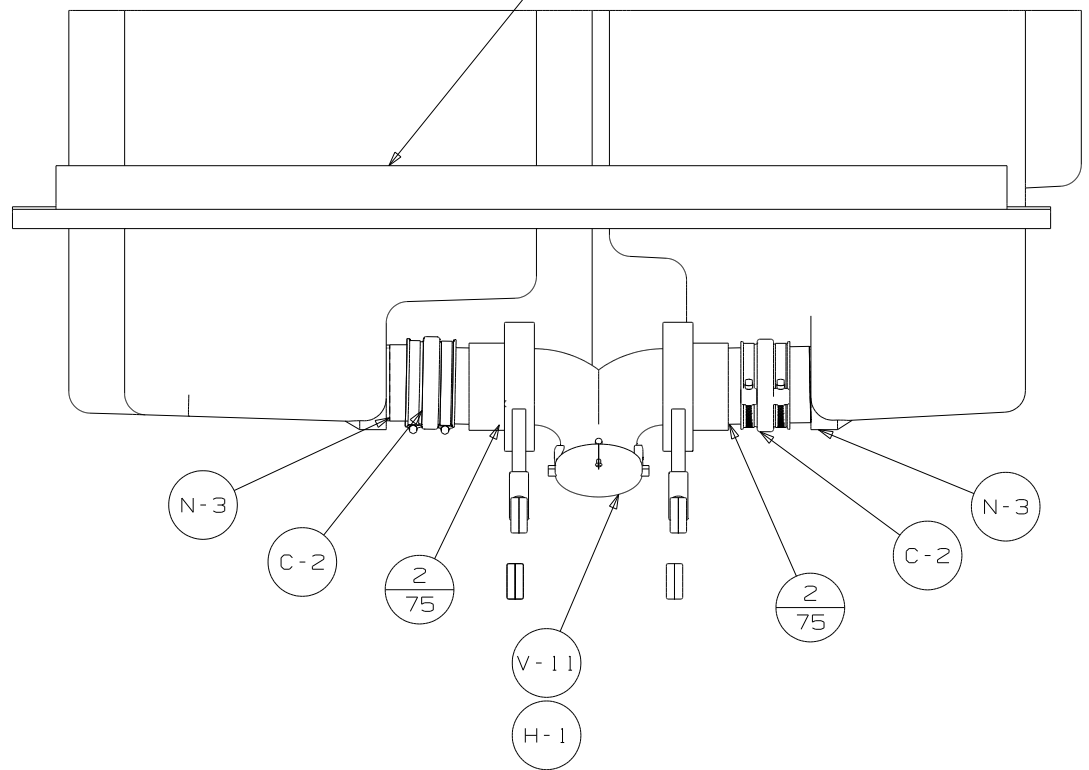
BRACKET-TANK, HOLDING  
161534-02-CHT  
BOLT  
106956-03-000 (2)  
WASHER-LOCK  
000E11-08-00B (2)  
WASHER  
000E13-22-00B (2)



127  
2626  
3256

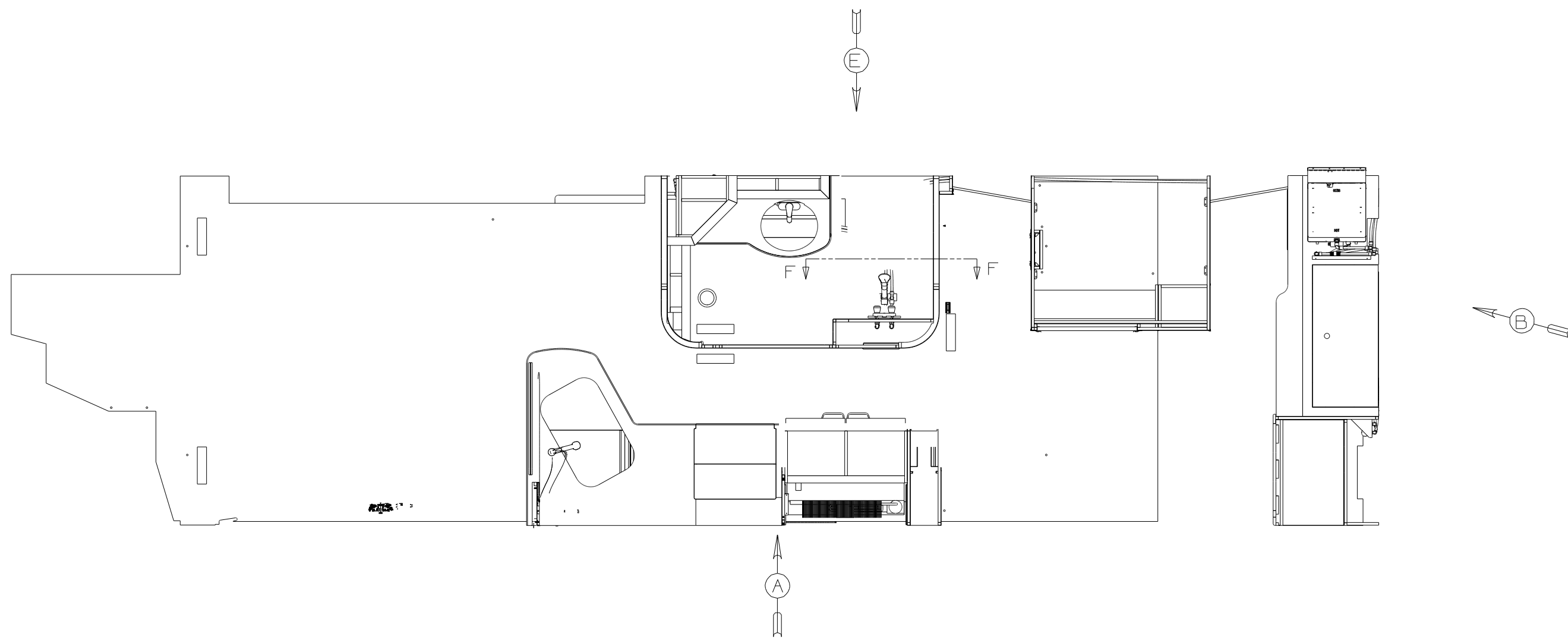


TOP VIEW SHOWING ONLY DRAINS AND TANKS



VIEW J

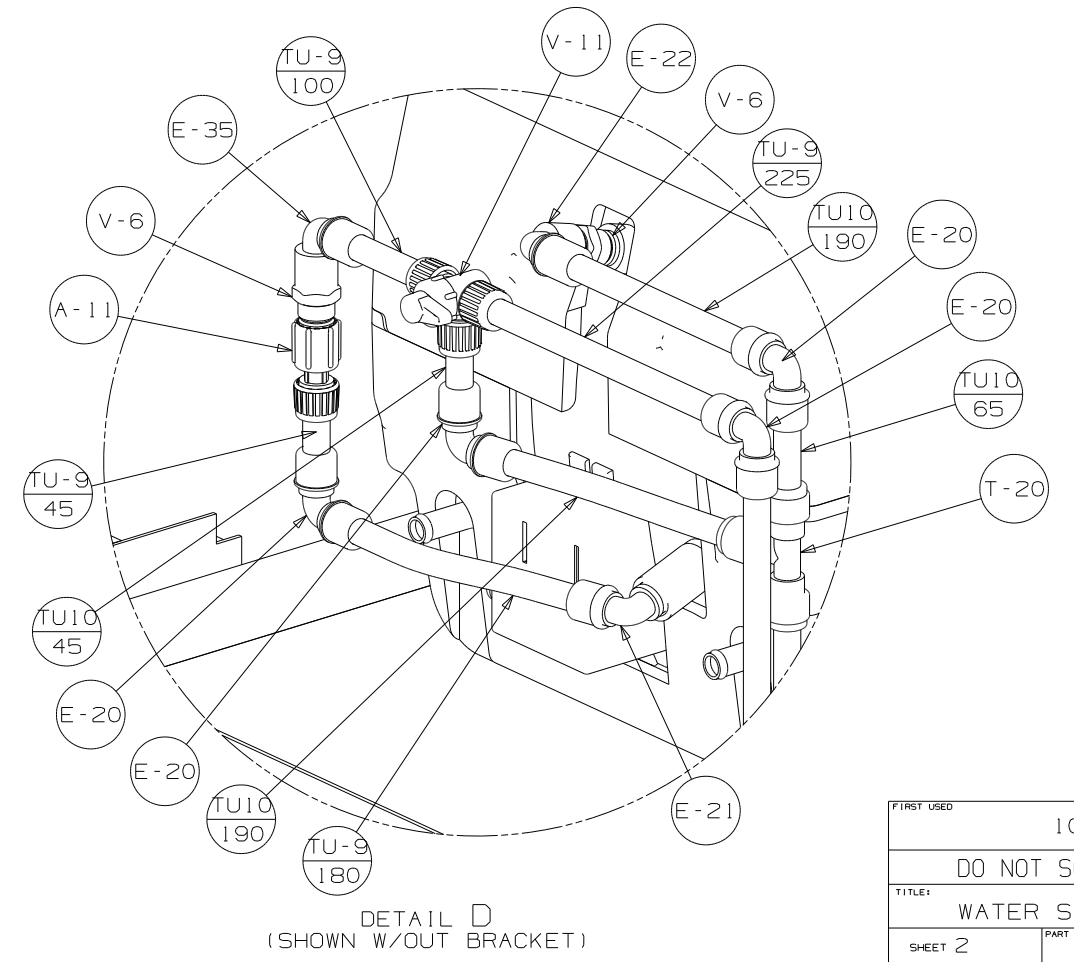
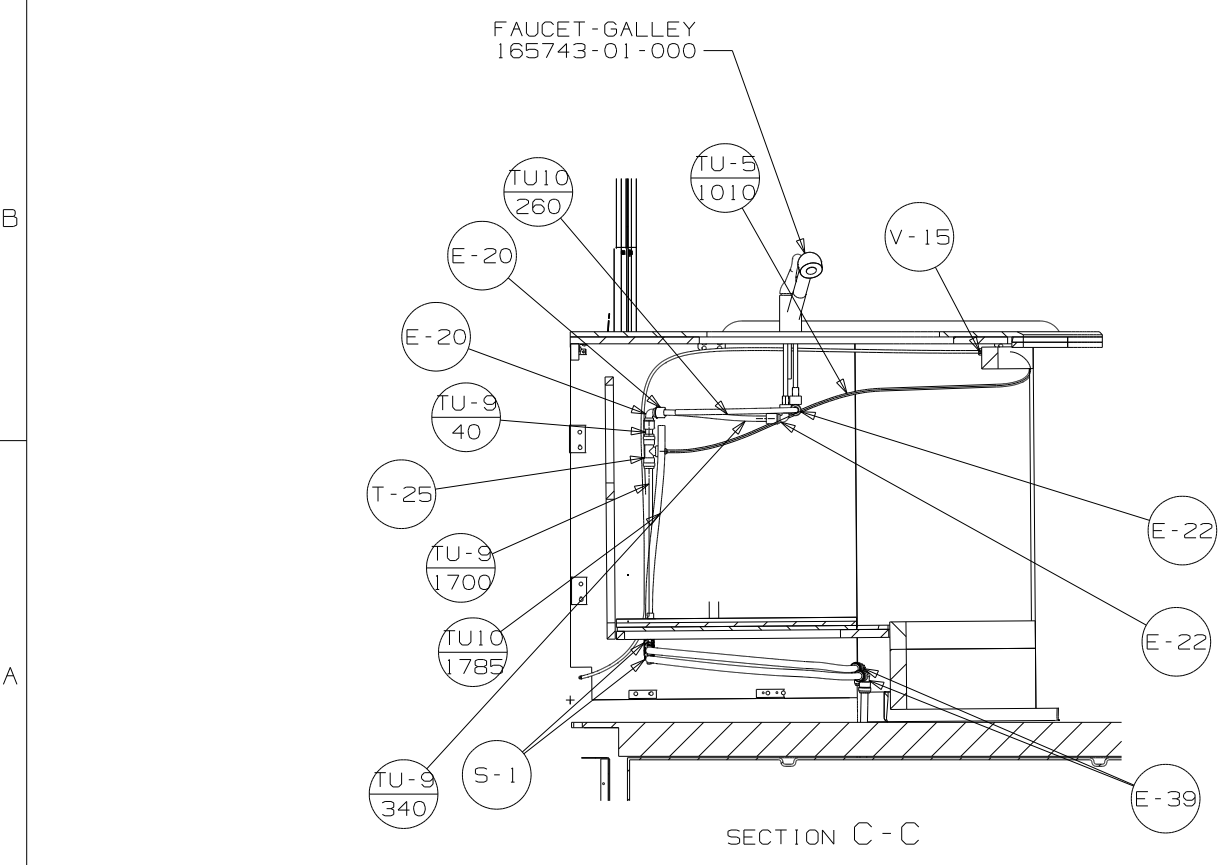
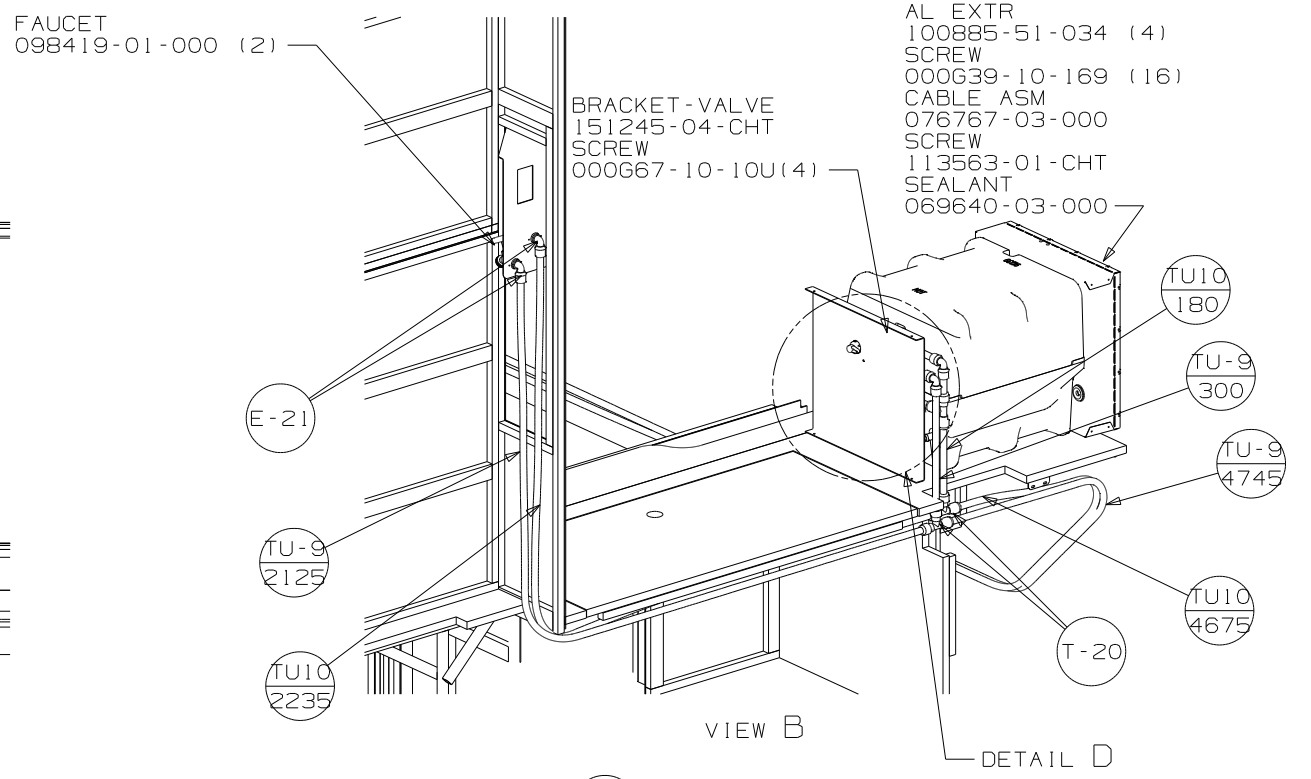
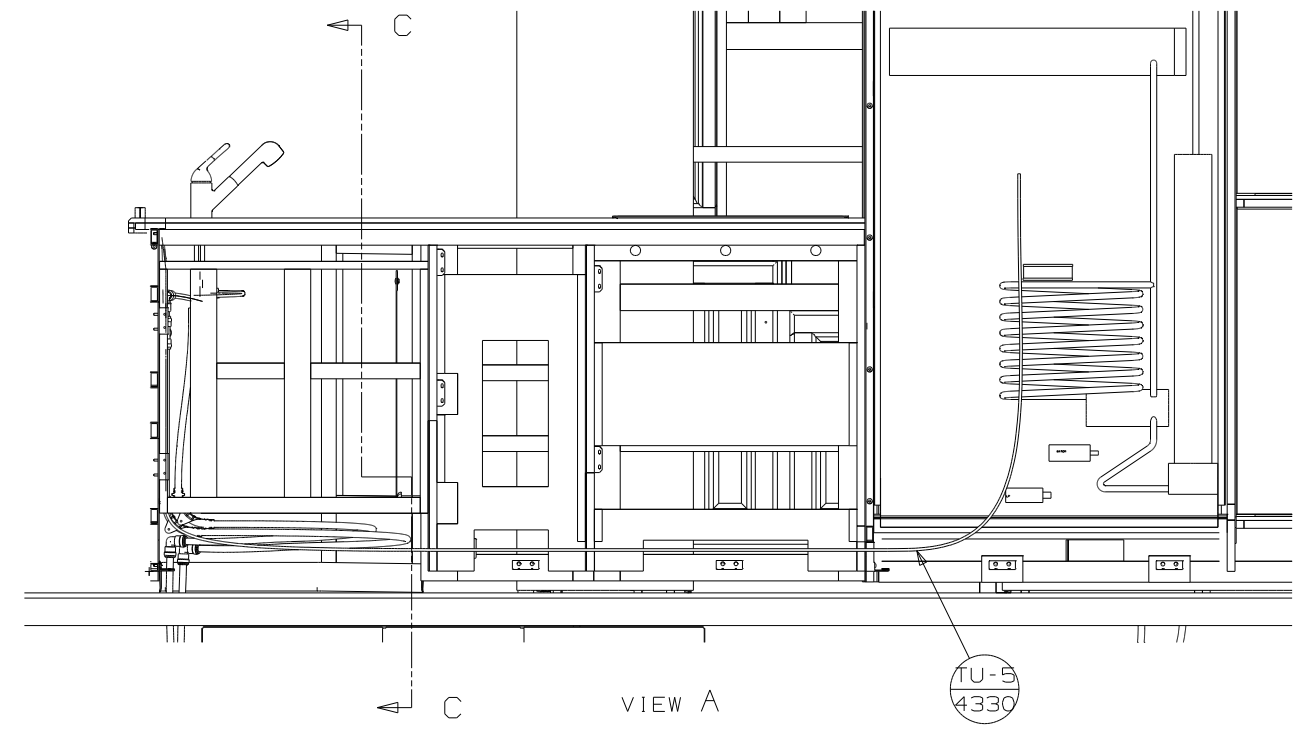
FIRST USED	10 P34Y	
TITLE	DO NOT SCALE DRAWING	
	DRAINAGE SYSTEM INSTL	
SHEET 4	PART NO 172152	REV



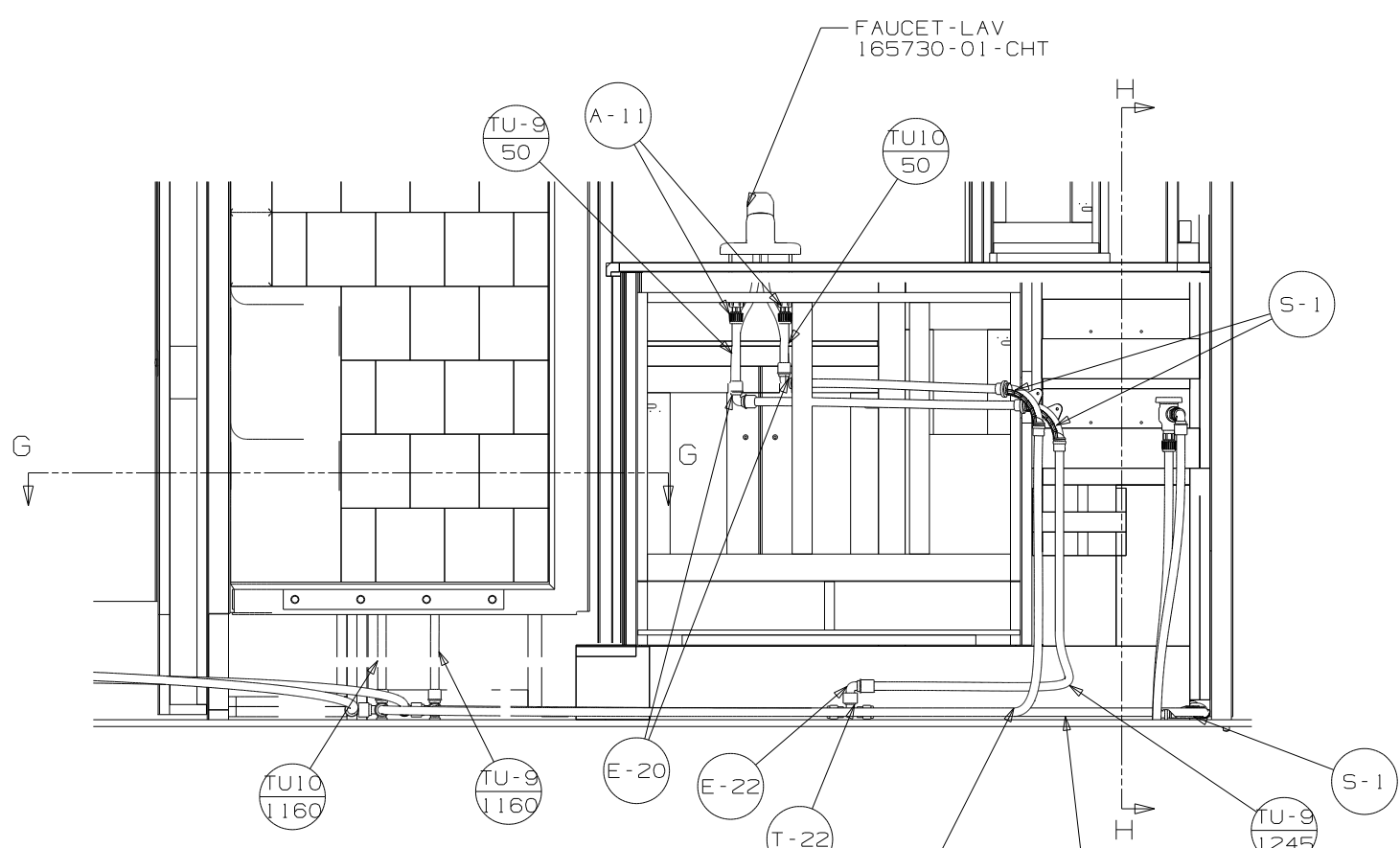
- NOTES:
- 7. ADD PIPE WRAP (LADDER SCRAP 110157-02-000) INSULATION.
  - 6. ADD TEFLON TAPE 010405-03-000.
  - 5. ADD TEFLON TAPE 010405-02-000.
  - 4. ADD TEFLON TAPE 010405-01-000.
3. ALL TUBING TO BE SECURED AT 1200 INTERVALS MAXIMUM WITH CLAMP 010495-01-000 AND SCREW 000667-10-12B OR EQUIVALENT.
  2. TUBING TO BE INSTALLED WITH SUFFICIENT SLOPE TO PROVIDE DRAINAGE TO NEAREST VALVE.
  1. PLASTIC FITTINGS TO BE SEALED WITH SEALANT 084456-01-000.

<b>WINNEBAGO</b>		COPYRIGHT 2010 WINNEBAGO INDUSTRIES, INC.	
DFTD	ORIG. DATE	ALL DIMENSIONS ARE IN MILLIMETERS	
CHKR		FIRST USED	
P.E.		10 P34Y	
M.E.		UNSPECIFIED TOLERANCES ARE:	
DSNR		WHOLE DIM (X.X) : 3	
		ONE-PLACE (X.X.X) : 1.5	
		TWO-PLACE (X.X.XX) : 0.50	
		ANGLE : 1°	
THIRD ANGLE PROJECTION		MATERIAL:	
DO NOT SCALE DRAWING		REFER TO ES0018 FOR FASTENER TIGHTENING GUIDELINES	
TITLE: WATER SYSTEM INSTL			
SHEET 1 OF 4		PART NO 172151	
REF:		REV	

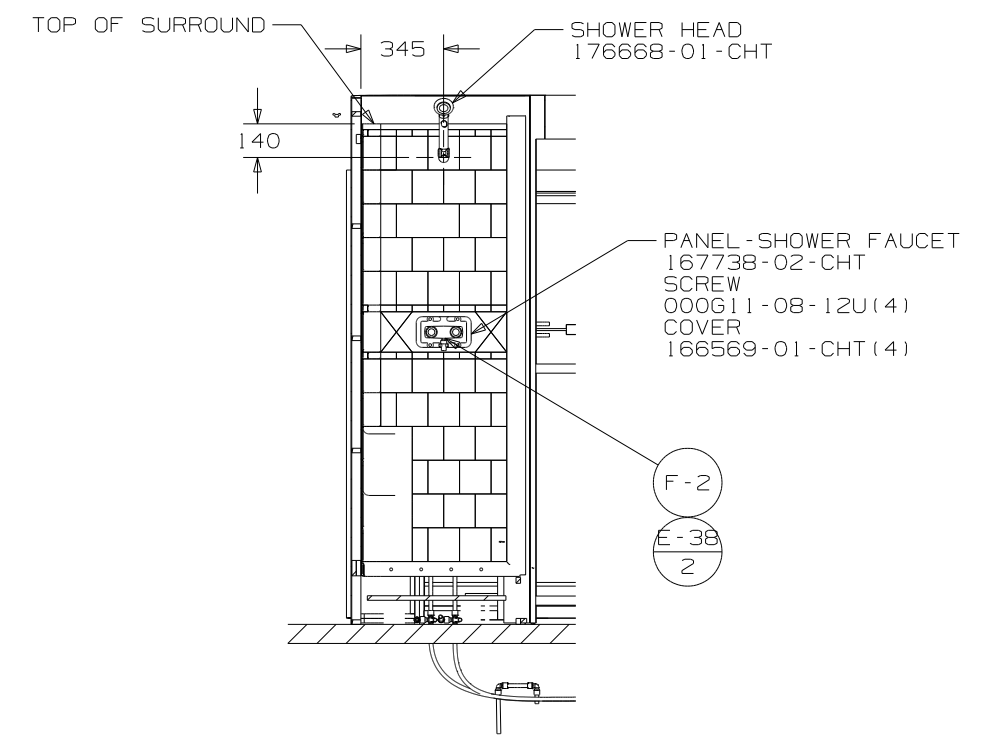
(X-X)  
FOR  
WATER  
CALLOUTS  
SEE DWG NO  
116230-01-000



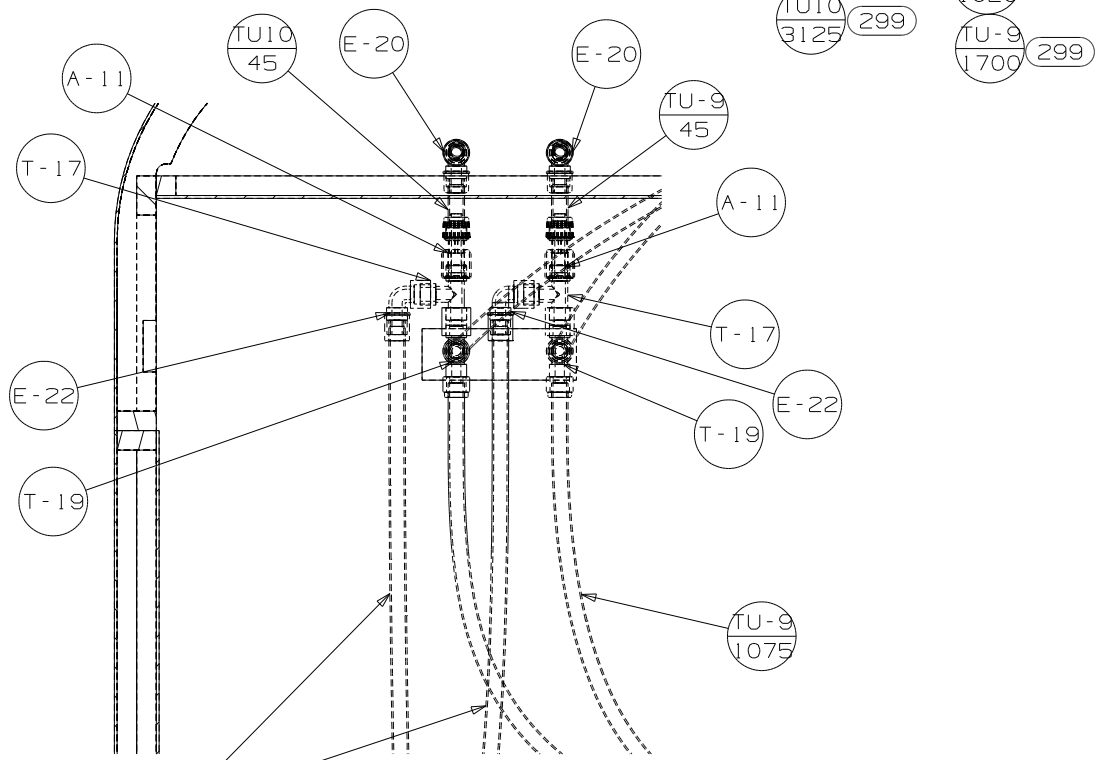
FIRST USED	10 P34Y
DO NOT SCALE DRAWING	
TITLE	WATER SYSTEM INSTL
SHEET 2	PART NO 172151 REV



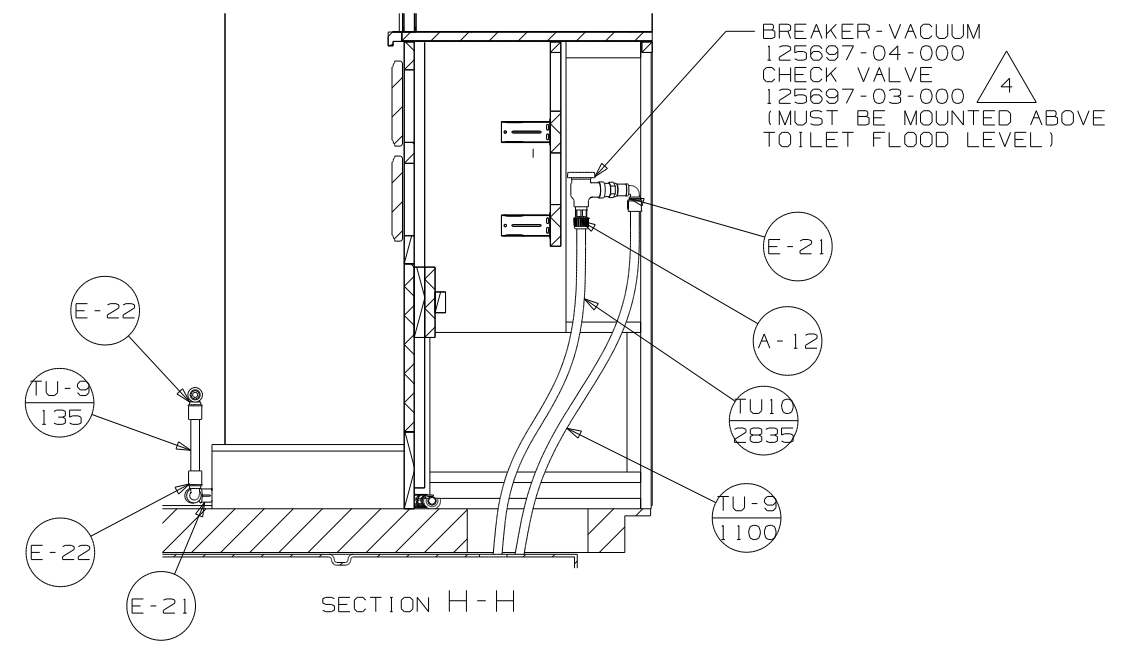
VIEW E (ROTATED)



SECTION F-F (ROTATED)

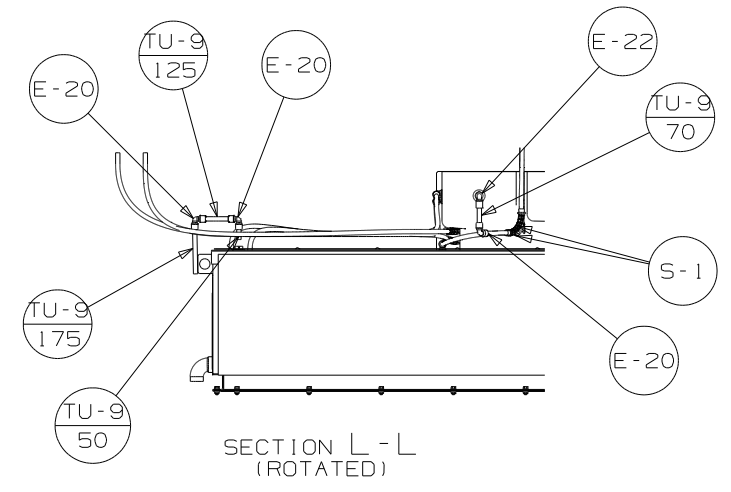
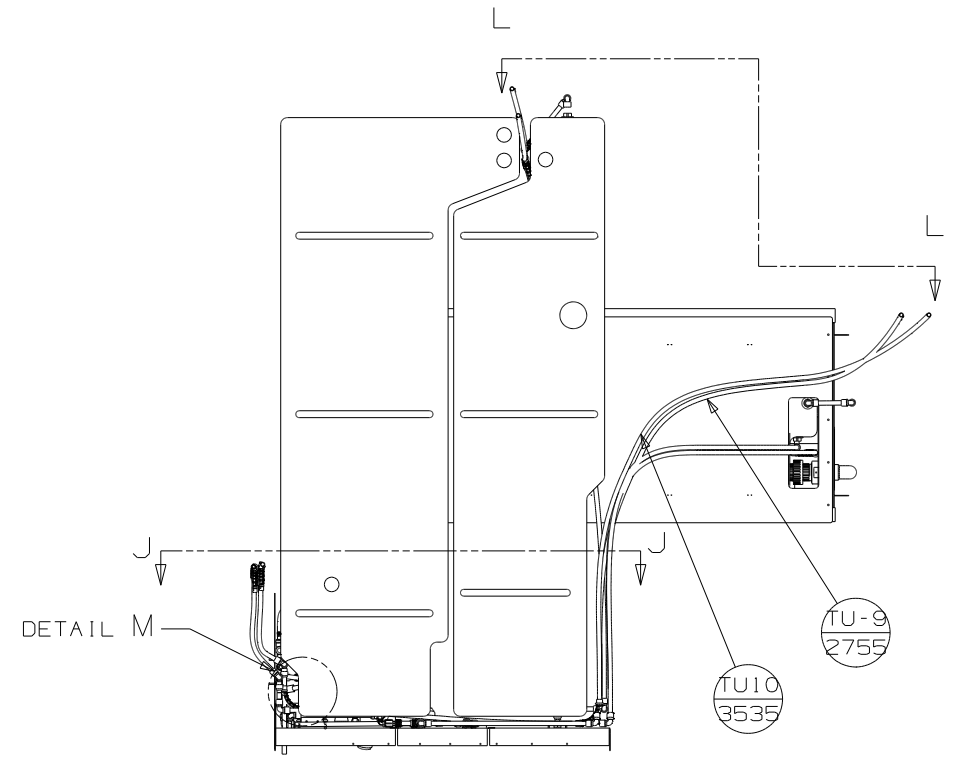


TO WATER HEATER SECTION G-G

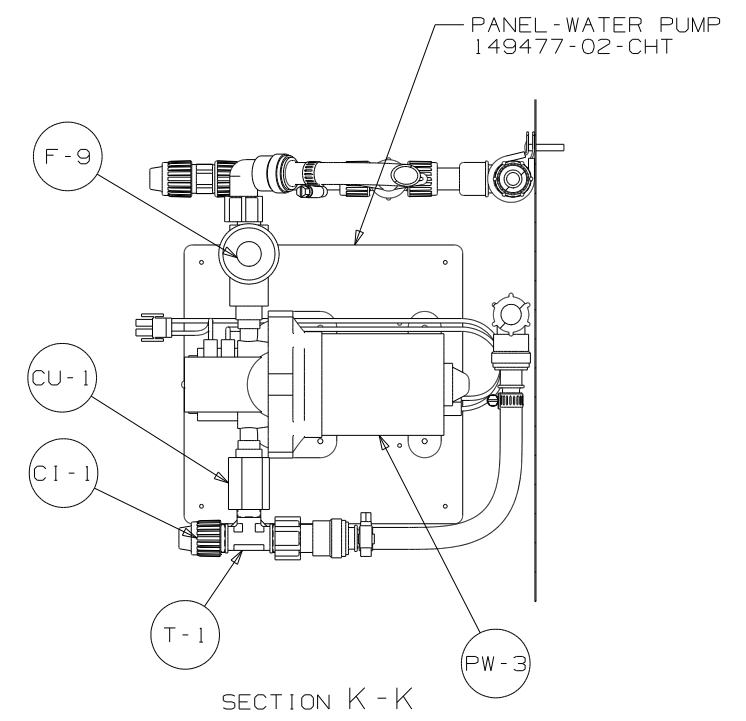
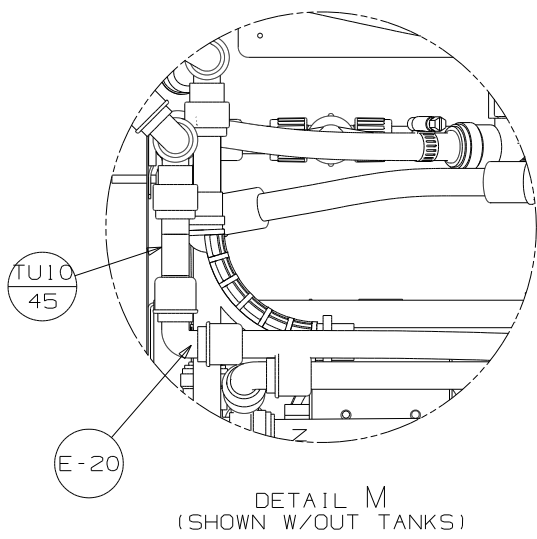
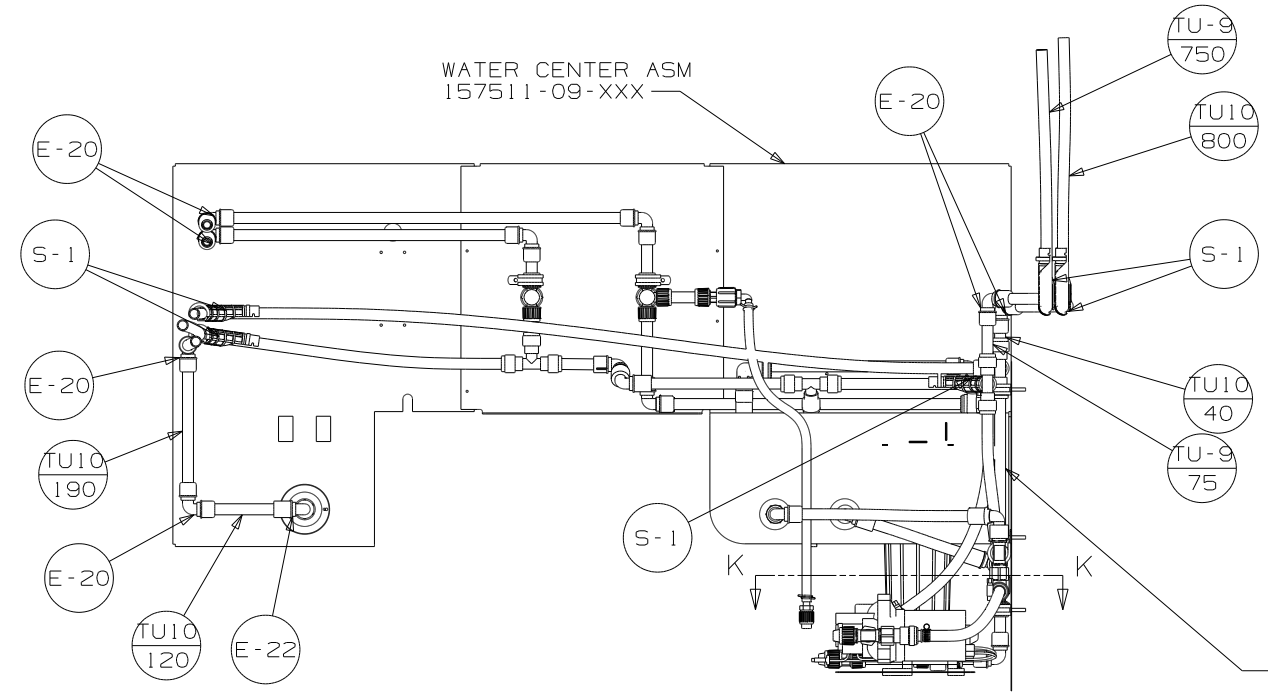


SECTION H-H

FIRST USED	10 P34Y
TITLE	DO NOT SCALE DRAWING
SHEET 3	WATER SYSTEM INSTL
PART NO	172151
REV	



TOP VIEW SHOWING LINES UNDER FLOOR



SECTION J - J  
(ROTATED)  
(SHOWN W/OUT TANKS)

PANEL ASM-WATER SYSTEM  
163564-02-XXX

FIRST USED	10 P34Y
TITLE	DO NOT SCALE DRAWING
TITLE	WATER SYSTEM INSTL
SHEET 4	PART NO 172151 REV