

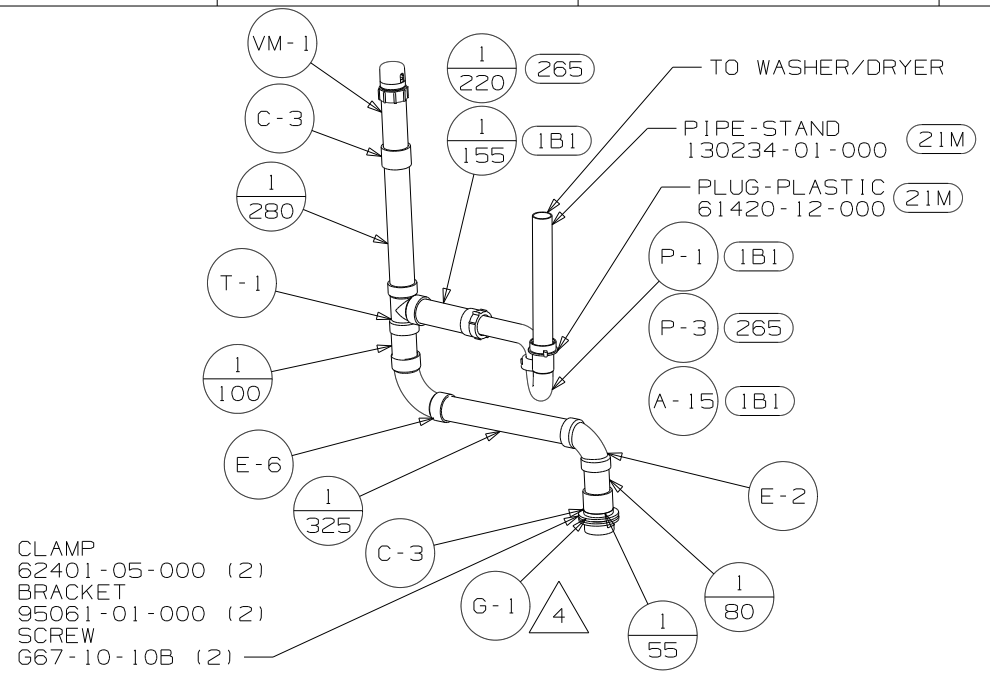
- NOTES:
9. USE SMOOTH PLUMBERS PUTTY 167459-01-000 TO SEAL STRAINER (.2 PER STRAINER).
 8. SECURE PIPES TO CABINET USING WIRE TIE 108046-02-000 AND SCREW G67-10-12U (8).
 7. SEE DWG 61607-01-000 FOR INSTL OF GROMMET.
 6. VENT PIPE MUST PROJECT 51 MIN AND 64 MAX ABOVE ROOF FOR PROPER FIT AND FUNCTION.
 5. SEAL AROUND SHOWER WITH SILICONE.
 4. SECURE PIPES TO FLOOR USING BRACKET 136878-01-CHT (3) CLAMP 62401-02-000 (3) AND SCREW G67-10-12B (3).
 3. ALL PIPE AND FITTINGS TO BE ASSEMBLED WITH SOLVENT 4020-01-000.
 2. SLOPE OF TRAP ARM MUST BE 6 PER 305 mm.
 1. SLOPE OF HORIZONTAL PIPING TO BE MIN 3 PER 305 mm.

FRONT
OF
COACH

- (54E) WASHER/DRYER
- (21M) WASHER/DRYER PREP
- (1B1) CODES/STANDARDS USA
- (265) CODES/STDS-CSA/CMVSS

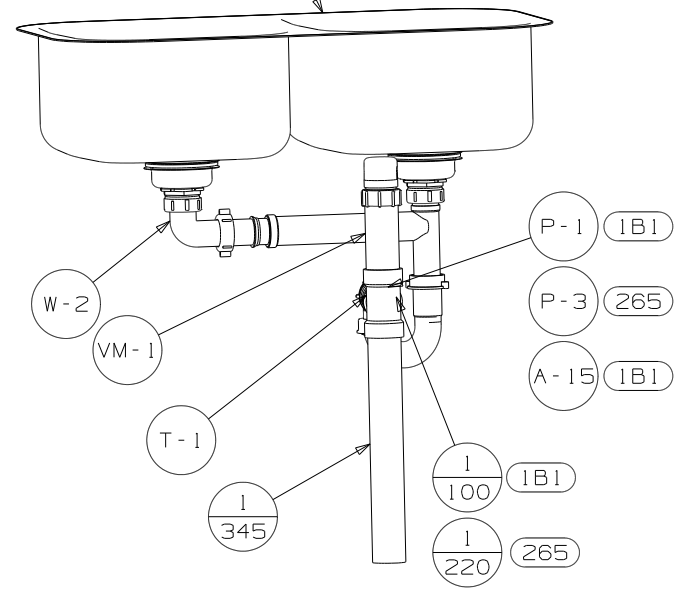
WINNEBAGO		COPYRIGHT 2009 WINNEBAGO INDUSTRIES, INC.	
DFT	ORIG. DATE	ALL DIMENSIONS ARE IN MILLIMETERS	
CHKR		FIRST USED	
P.E.		10 J38N	
M.E.		UNSPECIFIED TOLERANCES ARE:	
DSNR		MATERIAL:	
		WHOLE DIM (X) :	5
		ONE-PLACE (X.X) :	
		TWO-PLACE (X.XX) :	
		ANGLE :	
THIRD ANGLE PROJECTION		DO NOT SCALE DRAWING	
TITLE: DRAINAGE SYSTEM INSTL			
SHEET 1 OF 3	PART NO	170290	REV
REF:	1 9/16/2009		

(X-X)
FOR
DRAINAGE
CALLOUTS
SEE DWG NO
116229-01-000



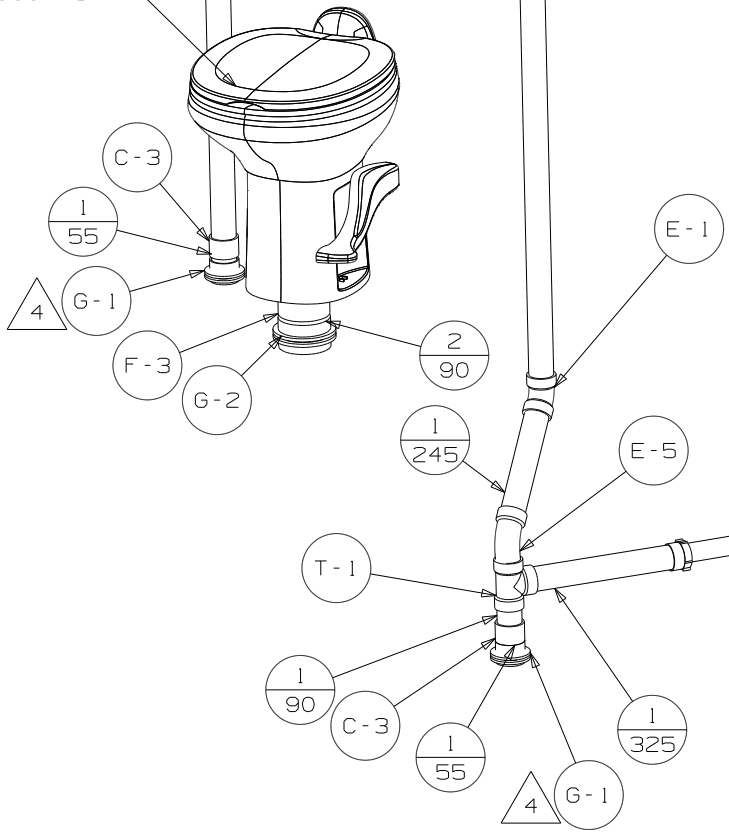
VIEW F

- SINK-SMC, DOUBLE
173783-01-000
- STRAINER
92303-01-000 (2) (9)
- ANGLE
140002-01-CHT (10)
- SCREW
142261-02-CHT (8)
- WASHER-RUBBER
127440-02-CHT (2)
- SEAL (A/R)



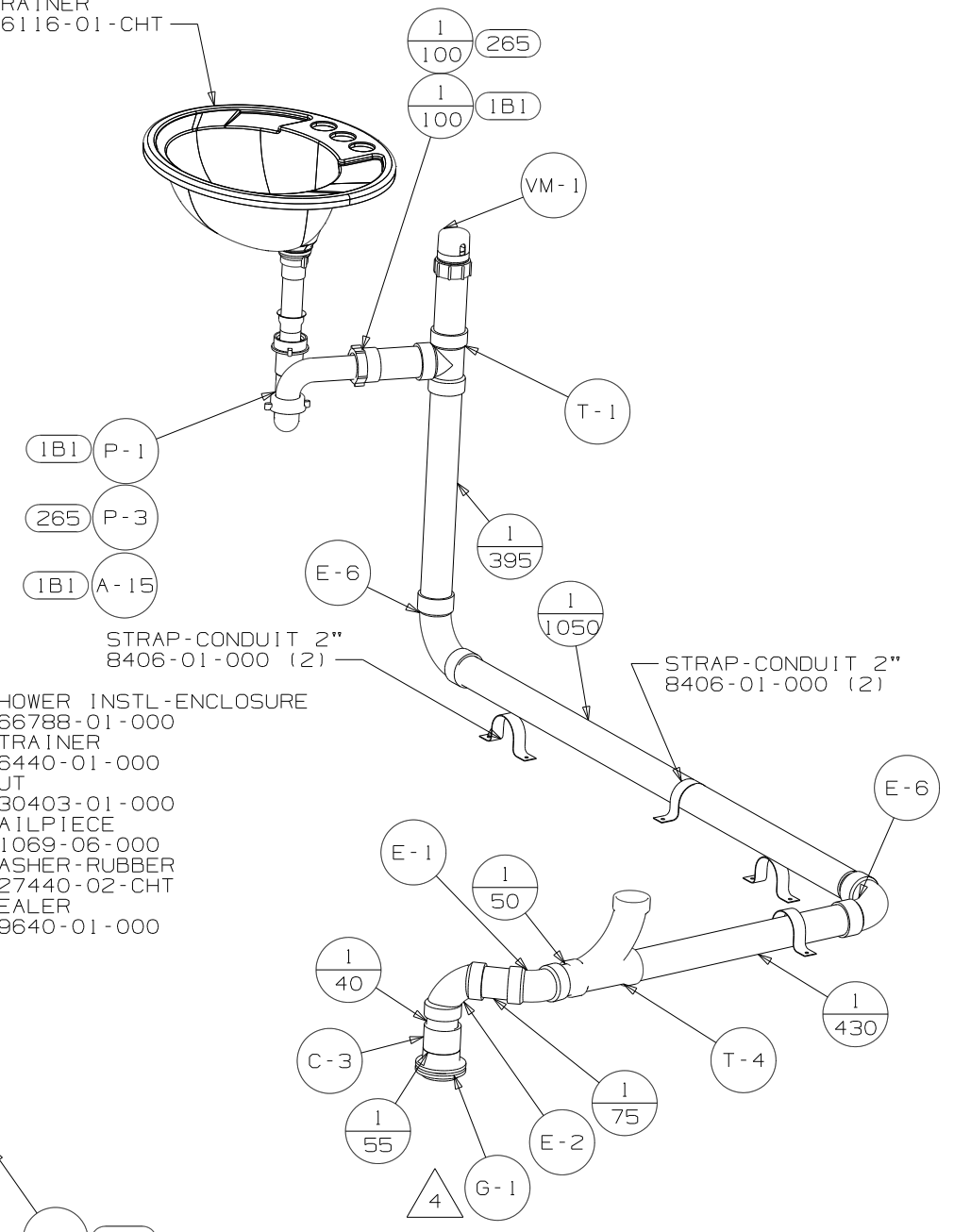
VIEW A

- TOILET
160815-01-CHT
- SCREW
87721-01-000 (8)



VIEW B

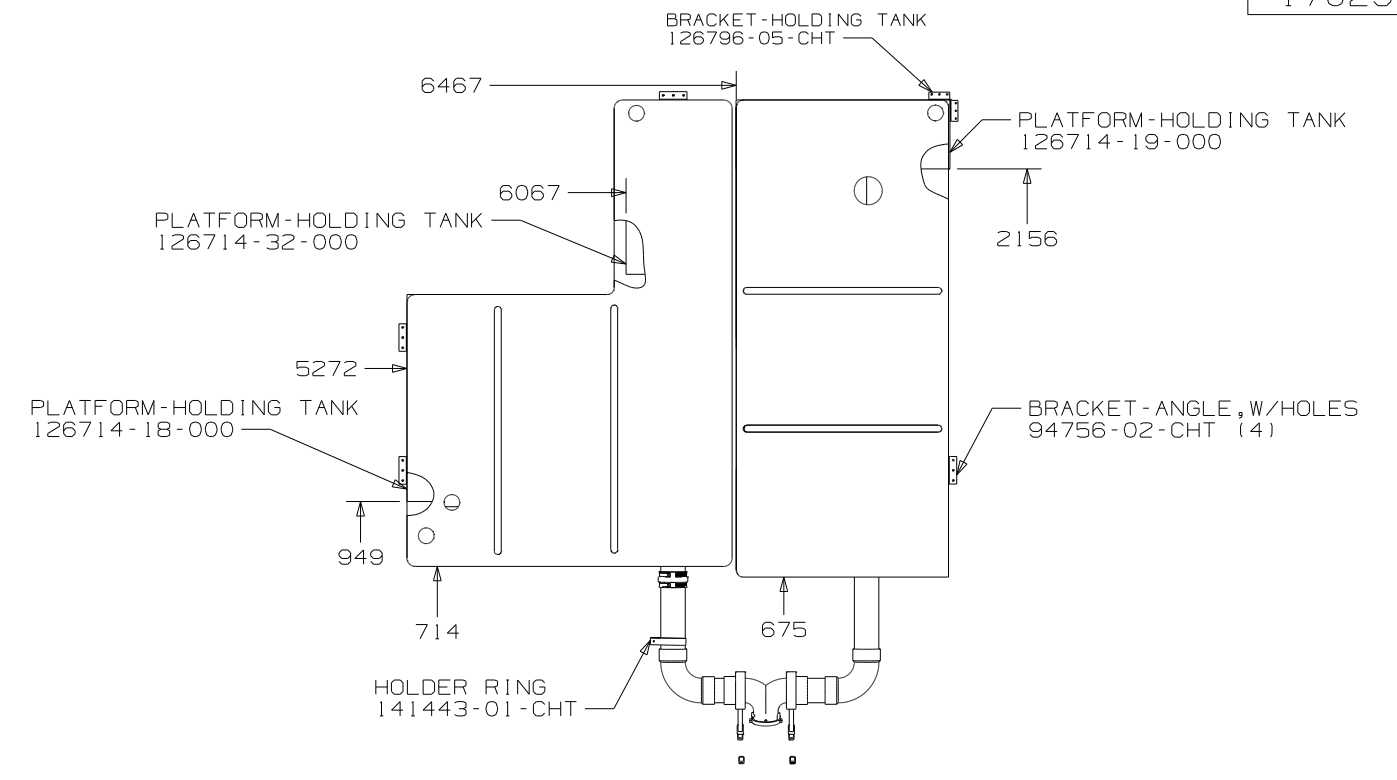
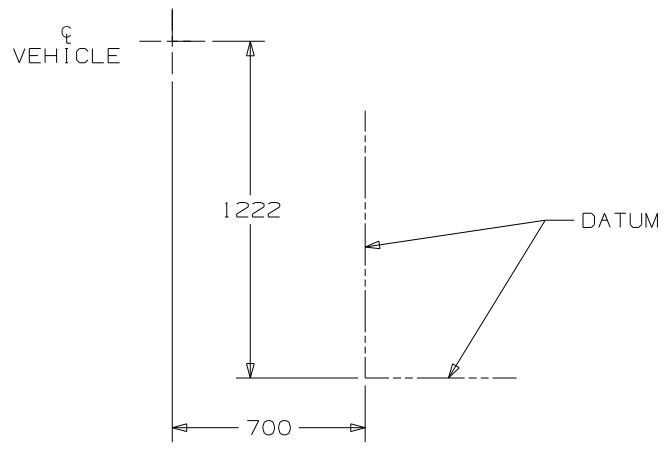
- SINK
164615-01-CHT
- GASKET
106116-02-CHT
- SCREW
G67-08-10U (8)
- SEAL (A/R)
- TAILPIECE
11069-02-000
- STRAINER
106116-01-CHT



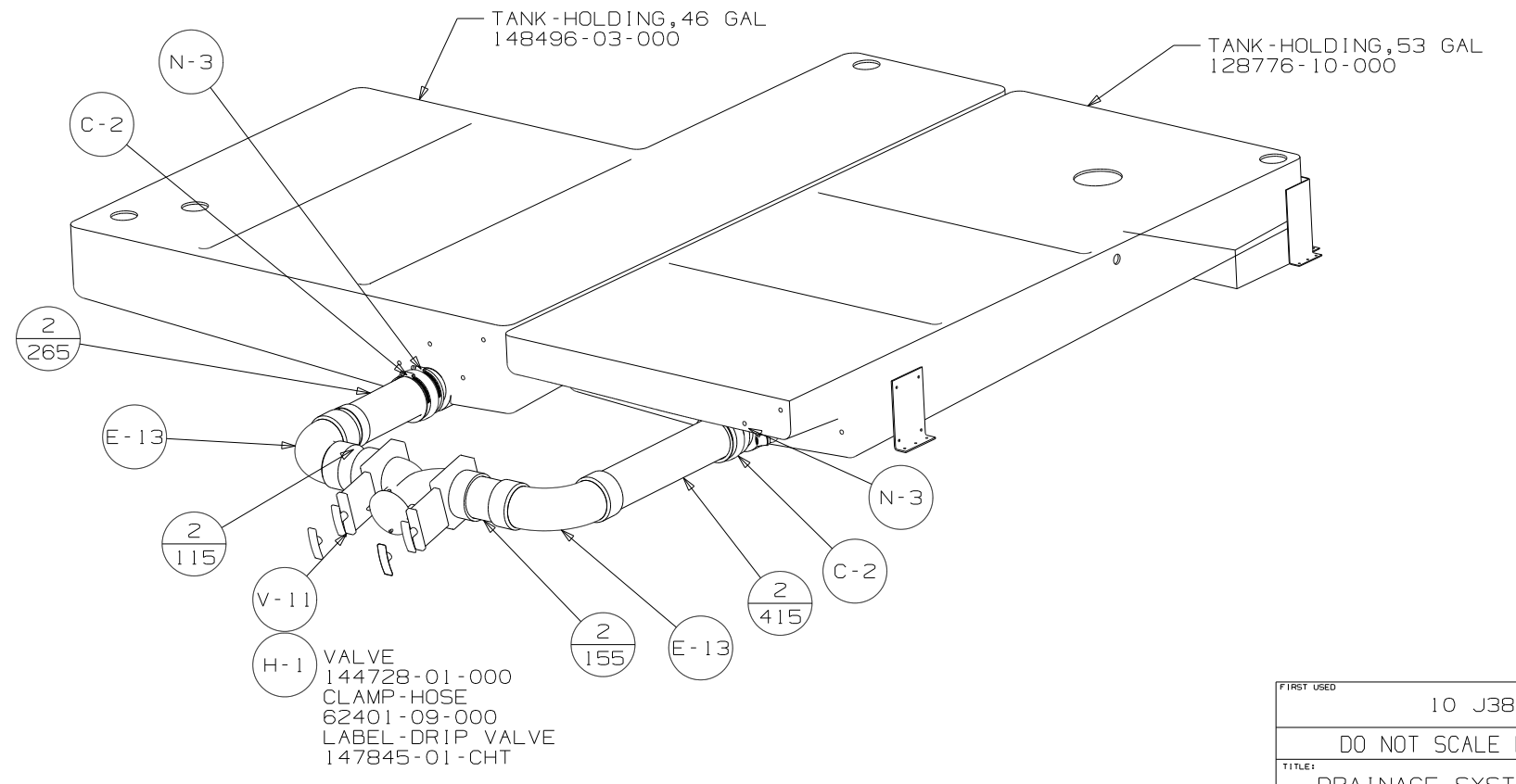
VIEW C

FIRST USED	10 J38N	
TITLE	DO NOT SCALE DRAWING	
	DRAINAGE SYSTEM INSTL	
SHEET 2	PART NO 170290	REV

FRONT AXLE

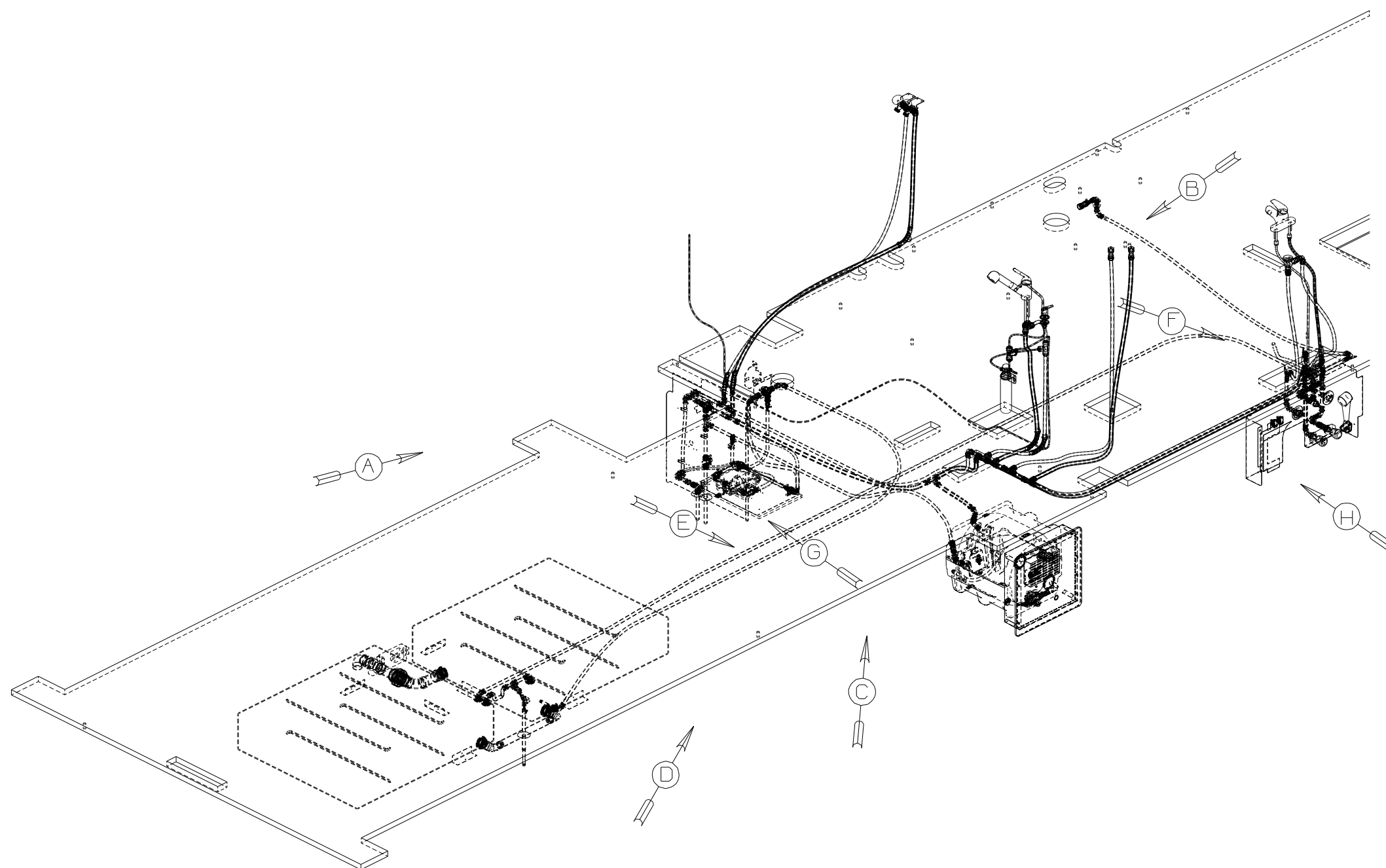


VIEW D



VIEW E

FIRST USED	10 J38N	
TITLE	DO NOT SCALE DRAWING	
	DRAINAGE SYSTEM INSTL	
SHEET 3	PART NO 170290	REV

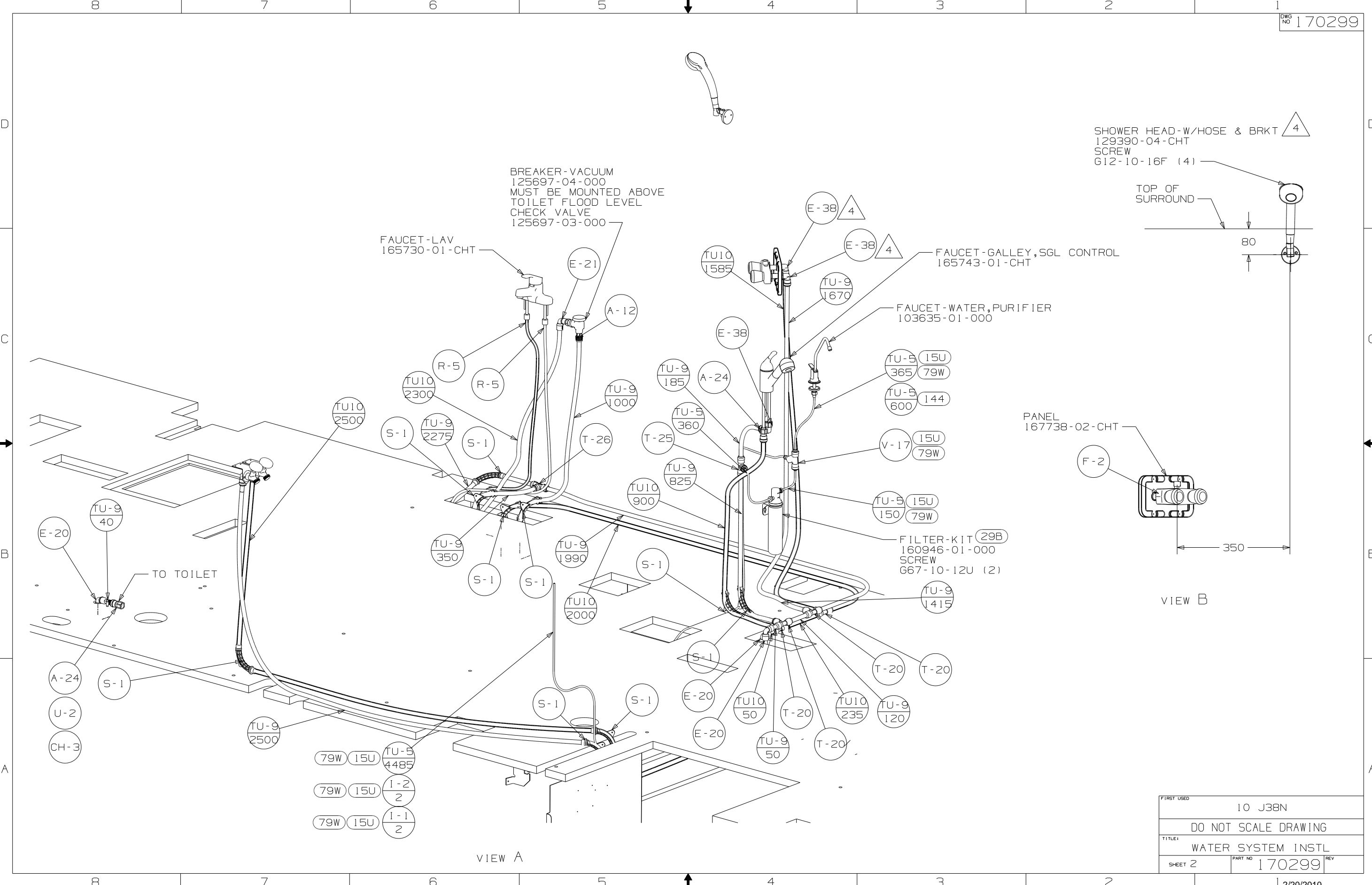


- (144) REFRIGERATOR-DOUBLE DOOR
- (1B2) WTR HTR-10 GAL/ELEC/LP/MTR AID
- (611) WTR HTR-AUX AUTO/MOTORAID
- (29B) WATER PURIFIER
- (54E) WASHER/DRYER
- (79W) REFRIGERATOR-4 DOOR
- (15U) REFRIGERATOR/FRZR W/ICEMAKER

- NOTES:
6. ADD TEFLON TAPE 10405-03-000.
 5. ADD TEFLON TAPE 10405-02-000.
 4. ADD TEFLON TAPE 10405-01-000.
 3. ALL TUBING TO BE SECURED AT 1200 INTERVALS MAXIMUM WITH CLAMP 10495-01-000 AND SCREW G67-10-12B OR EQUIVALENT.
 2. TUBING TO BE INSTALLED WITH SUFFICIENT SLOPE TO PROVIDE DRAINAGE TO NEAREST VALVE.
 1. PLASTIC FITTINGS TO BE SEALED WITH SEALANT 84456-01-000.

(X-X)
FOR
WATER
CALLOUTS
SEE DWG NO
116230-01-000

WINNEBAGO		COPYRIGHT 2010 WINNEBAGO INDUSTRIES, INC.	
DFTR	ORIG. DATE	ALL DIMENSIONS ARE IN MILLIMETERS	
CHKR		FIRST USED	
P.E.		10 J38N	
M.E.		UNSPECIFIED TOLERANCES ARE:	
DSNR		WHOLE DIM (X.X)	: 3
		ONE-PLACE (X.X)	:
		TWO-PLACE (X.XX)	:
		ANGLE	:
		THIRD ANGLE PROJECTION	
DO NOT SCALE DRAWING		REFER TO ES0018 FOR FASTENER TIGHTENING GUIDELINES	
TITLE: WATER SYSTEM INSTL			
SHEET 1 OF 4	PART NO	170299	REV
REF:	1 2/20/2010		



BREAKER-VACUUM
125697-04-000
MUST BE MOUNTED ABOVE
TOILET FLOOD LEVEL
CHECK VALVE
125697-03-000

SHOWER HEAD-W/HOSE & BRKT
129390-04-CHT
SCREW
G12-10-16F (4)

FAUCET-LAV
165730-01-CHT

FAUCET-GALLEY, SGL CONTROL
165743-01-CHT

FAUCET-WATER, PURIFIER
103635-01-000

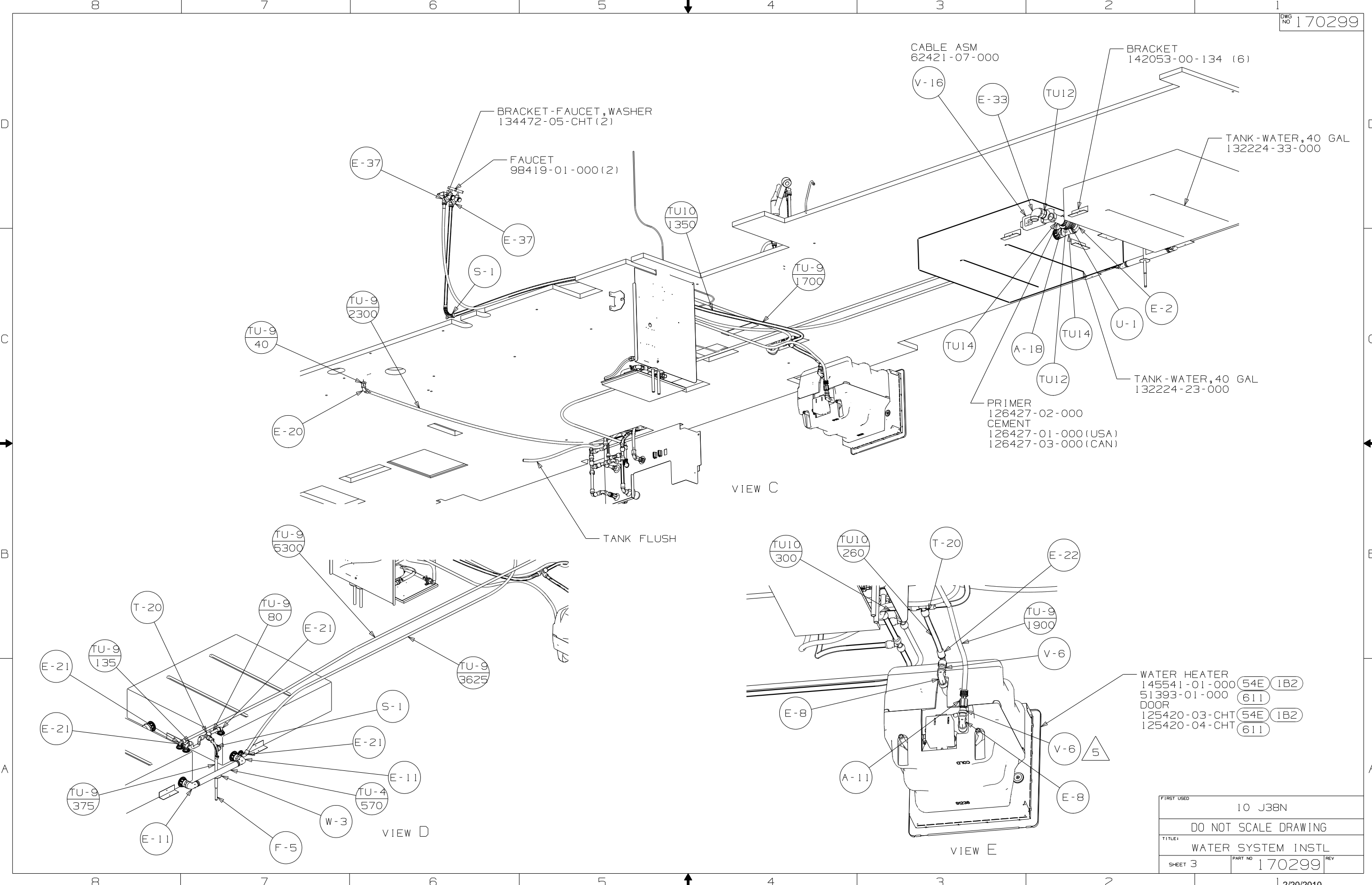
PANEL
167738-02-CHT

FILTER-KIT (29B)
160946-01-000
SCREW
G67-10-12U (2)

VIEW A

VIEW B

FIRST USED	10 J38N
TITLE	DO NOT SCALE DRAWING
TITLE	WATER SYSTEM INSTL
SHEET 2	PART NO 170299 REV



BRACKET - FAUCET, WASHER
134472-05-CHT (2)

FAUCET
98419-01-000 (2)

CABLE ASM
62421-07-000

BRACKET
142053-00-134 (6)

TANK - WATER, 40 GAL
132224-33-000

TANK - WATER, 40 GAL
132224-23-000

PRIMER
126427-02-000
CEMENT
126427-01-000 (USA)
126427-03-000 (CAN)

VIEW C

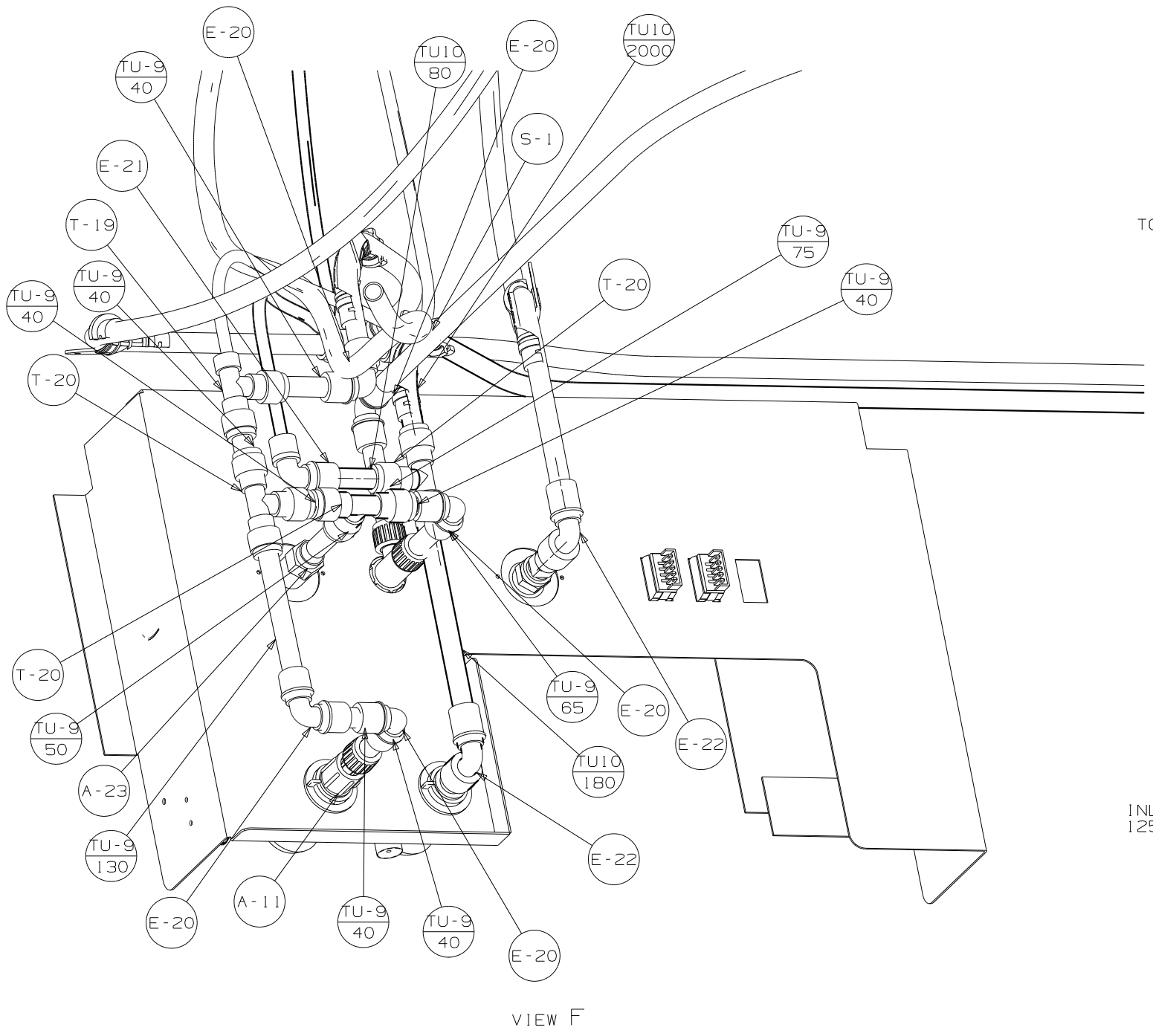
TANK FLUSH

WATER HEATER
145541-01-000 (54E) (IB2)
51393-01-000 (611)
DOOR
125420-03-CHT (54E) (IB2)
125420-04-CHT (611)

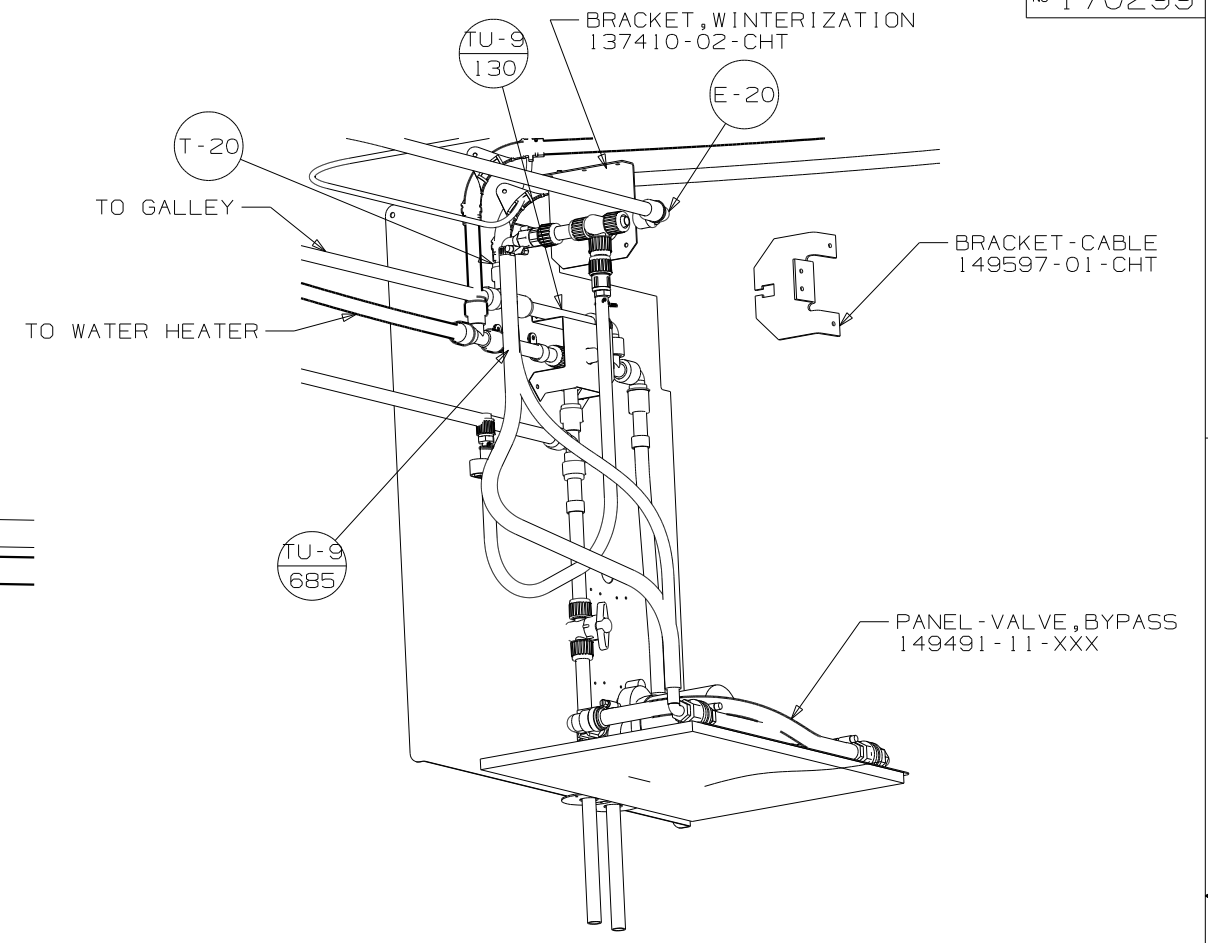
VIEW E

VIEW D

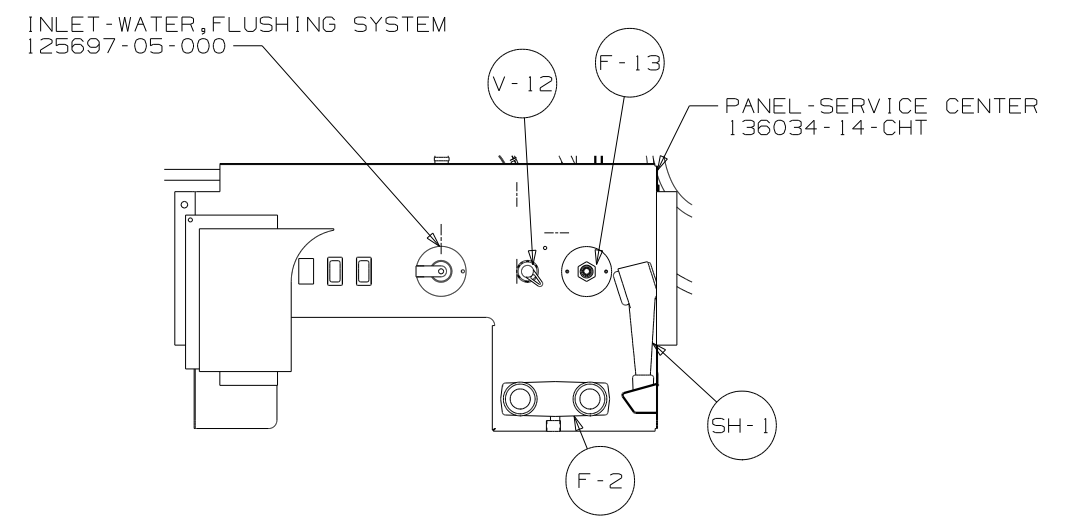
FIRST USED	10 J38N	
TITLE	DO NOT SCALE DRAWING	
SHEET 3	PART NO	170299
	REV	



VIEW F



VIEW G



VIEW H

FIRST USED	10 J38N		
TITLE	DO NOT SCALE DRAWING		
	WATER SYSTEM INSTL		
SHEET 4	PART NO	170299	REV