

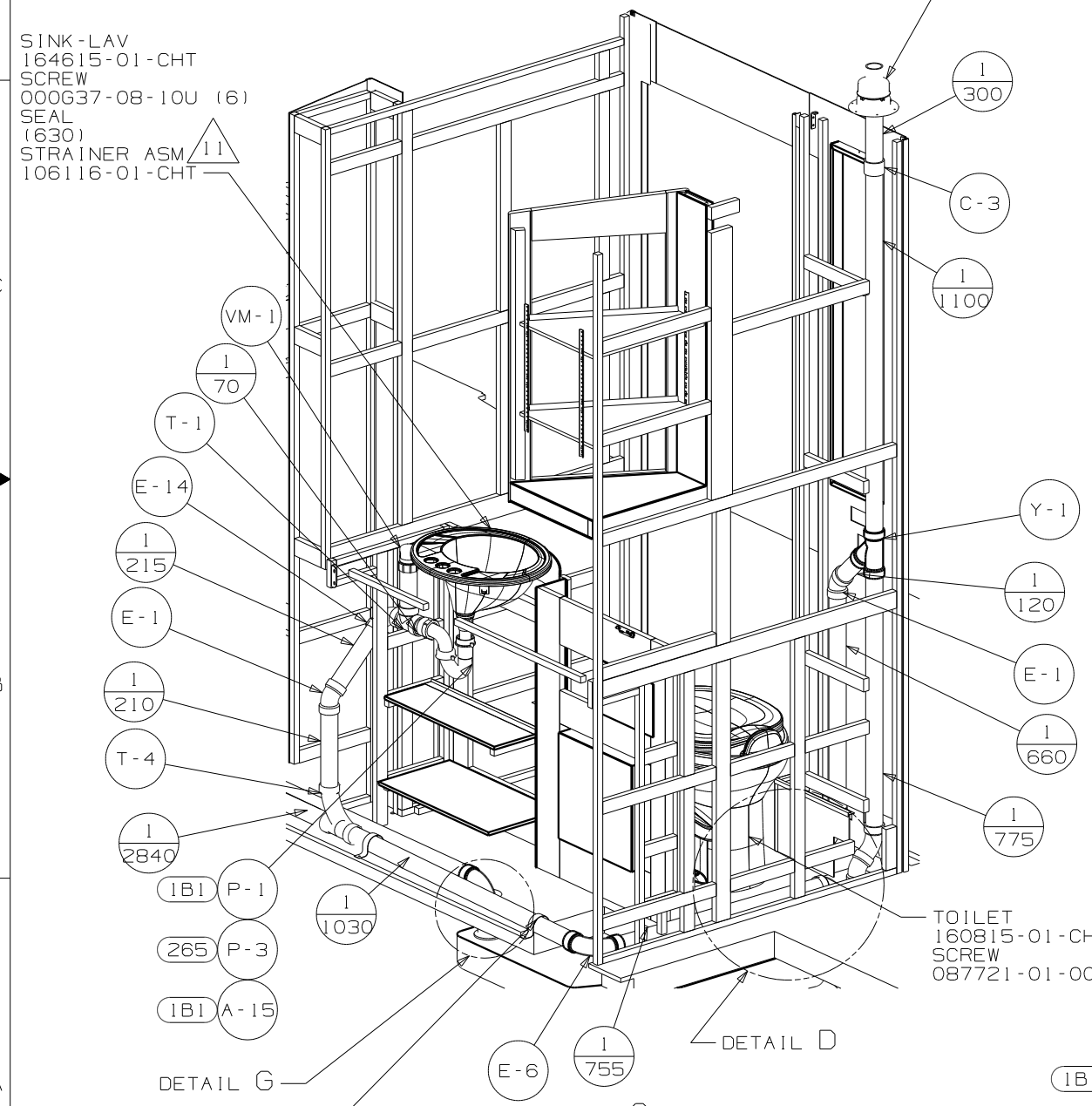
- NOTES:
1. SLOPE OF HORIZONTAL PIPING TO BE MINIMUM OF 3 PER 305 mm.
 2. SLOPE OF TRAP ARM MUST BE 6 PER 305 mm.
 3. ALL PIPE AND FITTINGS TO BE ASSEMBLED WITH SOLVENT 004020-01-000 (USA), 004020-02-000 (CAN)
 4. GLUE FITTING AFTER CABINET IS INSTALLED.
 5. SEAL AROUND SHOWER WITH SILICONE.
 6. VENT PIPE MUST PROJECT 51 MIN AND 64 MAX ABOVE ROOF FOR PROPER FIT AND FUNCTION.
 7. SECURE VENT PIPE TO FLOOR WITH CLAMP 062401-02-000 (2), SCREW 000667-10-12B (2), BRACKET 136878-01-CHT (2).
 8. SECURE DRAINAGE PIPES TO CABINET USING WIRE TIE 108046-02-000, AND SCREW 000667-10-12B AT INTERVALS OF NOT MORE THAN 4 FEET APART.
 9. APPLY PRIMER 126427-02-000 AND CEMENT 126427-01-000 BETWEEN ELBOW AND FLEX PIPE.
 10. ATTACH TANK BRACKET TO RISER.
 11. USE SMOOTH PLUMBERS PUTTY 167459-01-000 TO SEAL STRAINER (0.2 PER STRAINER).
 12. FOLLOW TECMA TOILET WINTERIZATION PROCEDURE, REQUIRES 5 GALLONS OF RV ANTIFREEZE 157665-02-000.

(181) CODES/STANDARDS USA
 (265) CODES/STANDARDS-CSA/CMVSS

WINNEBAGO		COPYRIGHT 2010 WINNEBAGO INDUSTRIES, INC.	
DFTR	ORIG. DATE	ALL DIMENSIONS ARE IN MILLIMETERS	
CHKR		FIRST USED	
P.E.		10 J37F	
M.E.		UNSPECIFIED TOLERANCES ARE:	
DSNR		WHOLE DIM (X) : 3	
		ONE-PLACE (X.X) : 1.5	
		TWO-PLACE (X.XX) : 0.50	
		ANGLE : 1°	
		THIRD ANGLE PROJECTION	
DO NOT SCALE DRAWING		REFER TO ES0018 FOR FASTENER TIGHTENING GUIDELINES	
TITLE: DRAINAGE SYSTEM INSTL			
SHEET 1 OF 4	PART NO	170959	REV
REF:	1/3/19/2010		

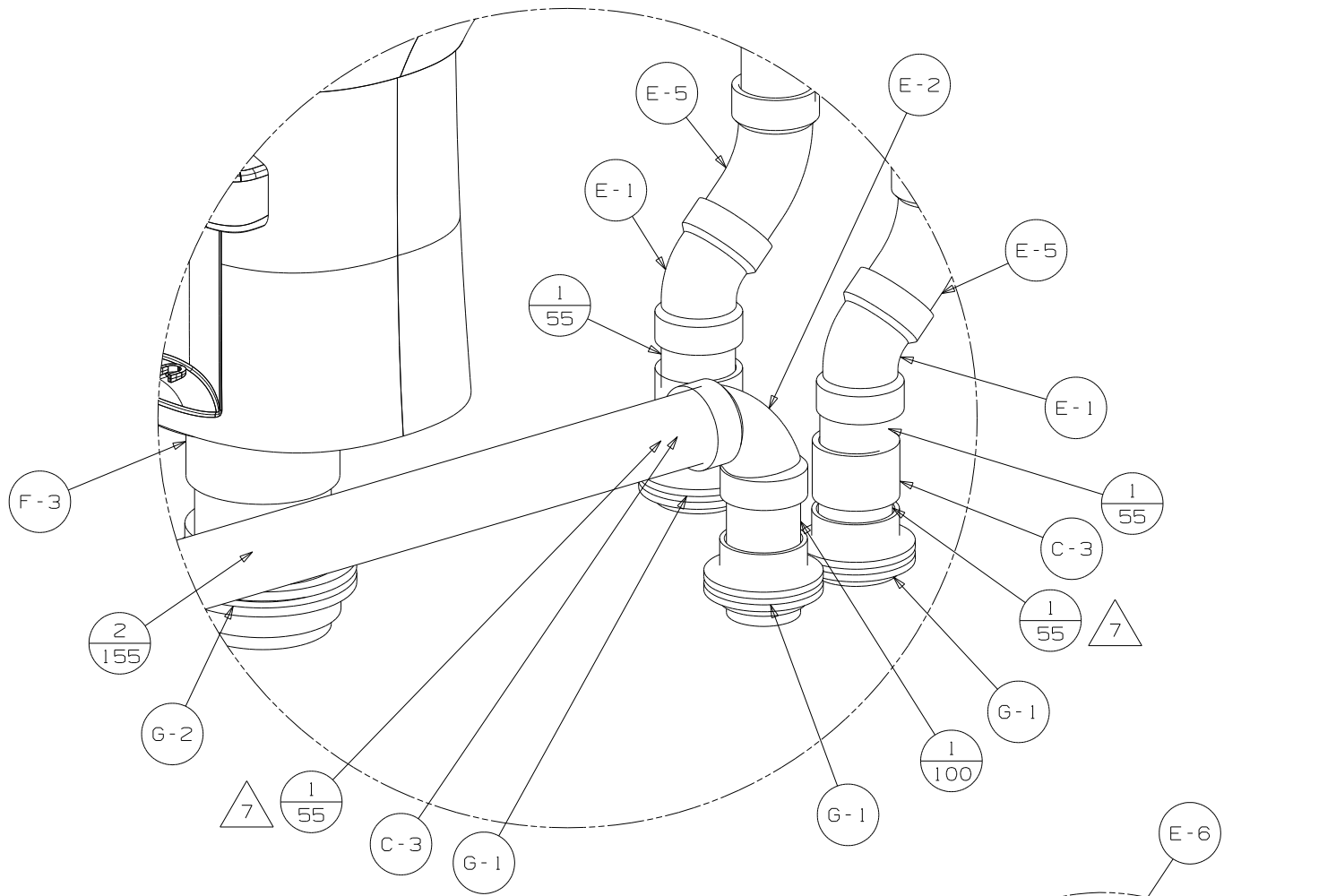
(X-X)
 FOR
 DRAINAGE
 CALLOUTS
 SEE DWG NO
 116229-01-000

SINK-LAV
 164615-01-CHT
 SCREW
 000G37-08-10U (6)
 SEAL
 (630)
 STRAINER ASM
 106116-01-CHT

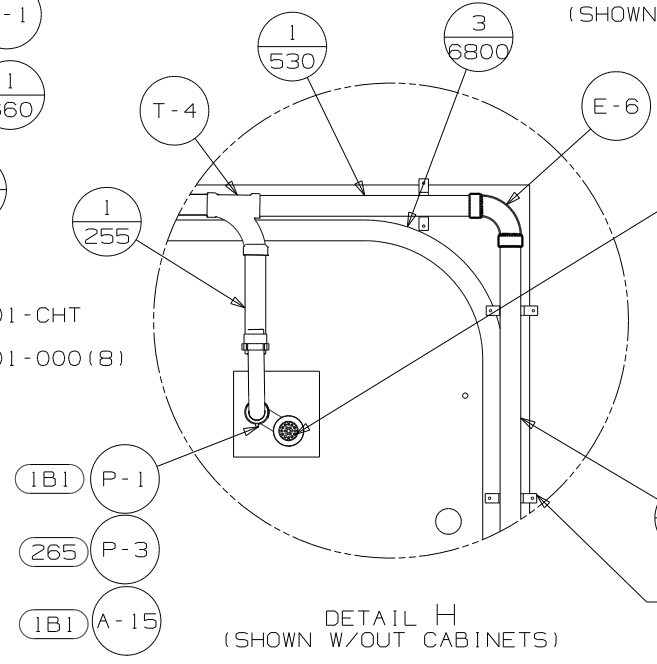


STRAP-CONDUIT, 2"
 8406-01-000 (4)

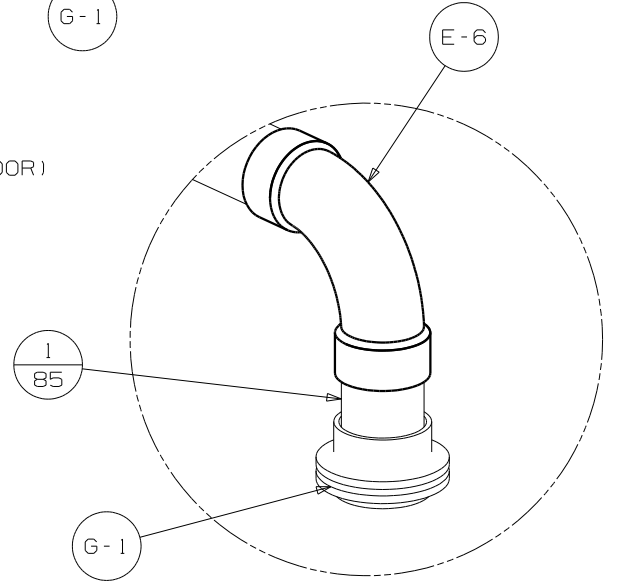
VIEW C



DETAIL D
 (SHOWN W/OUT CABINETS AND FLOOR)



DETAIL H
 (SHOWN W/OUT CABINETS)

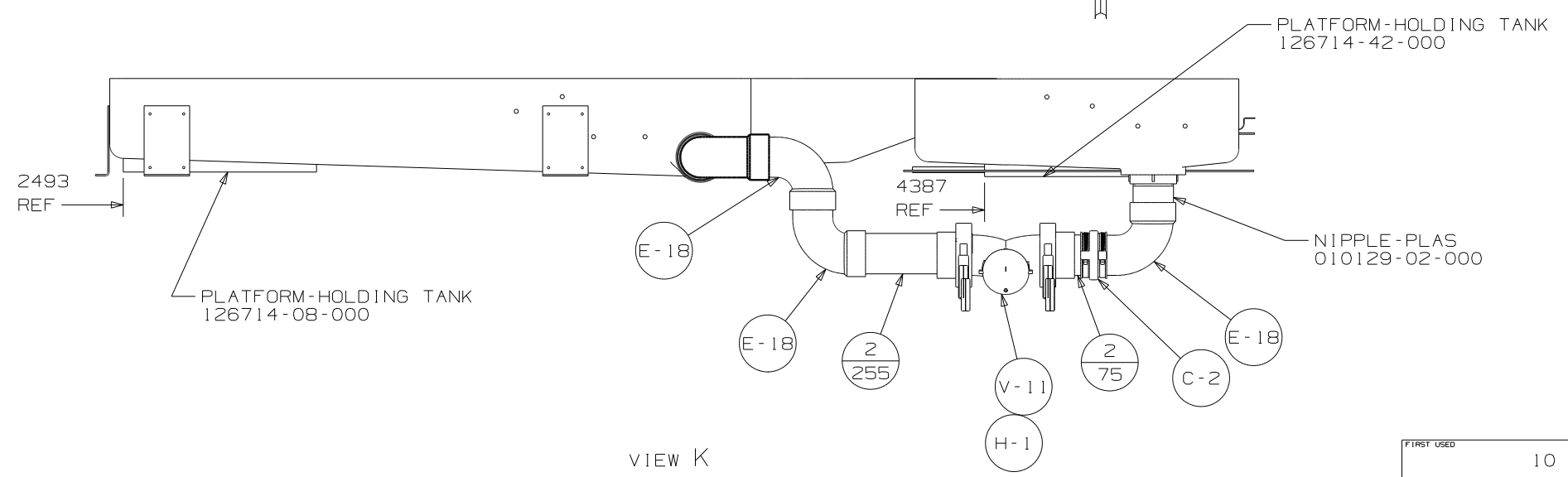
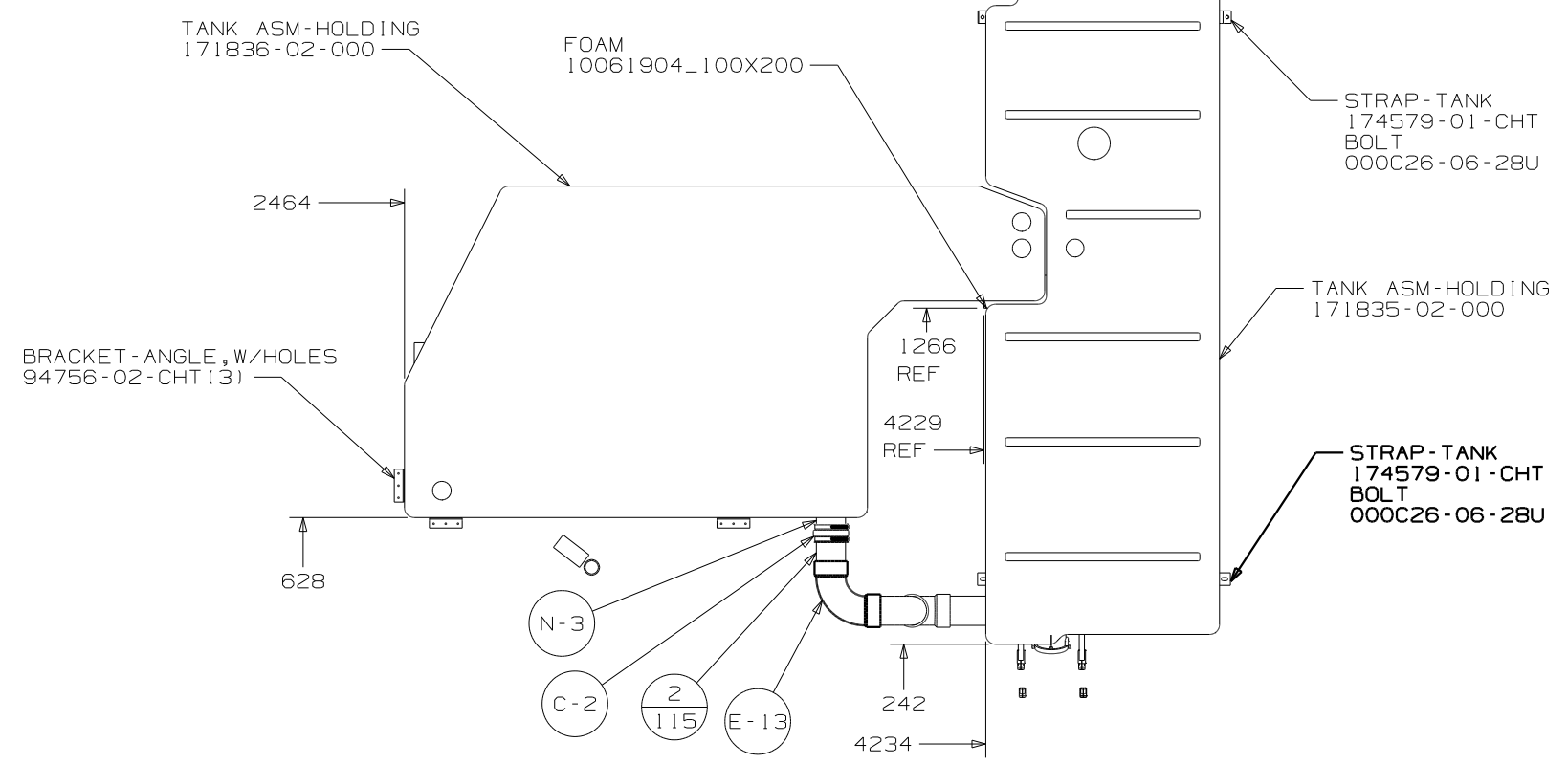
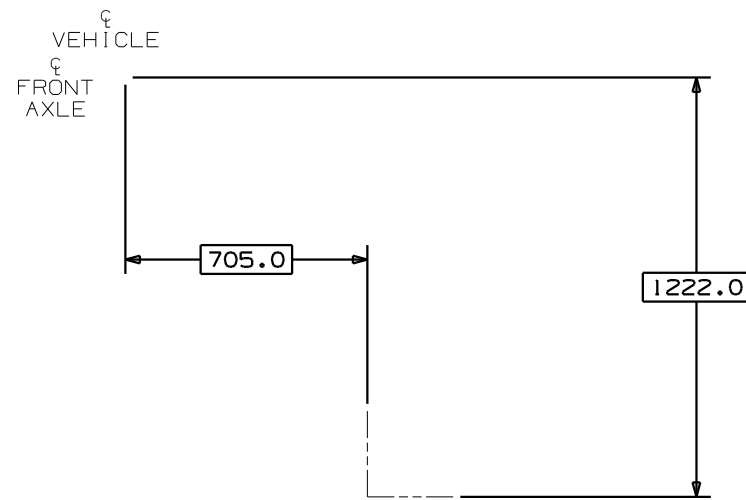


DETAIL G
 (SHOWN W/OUT CABINETS AND FLOOR)

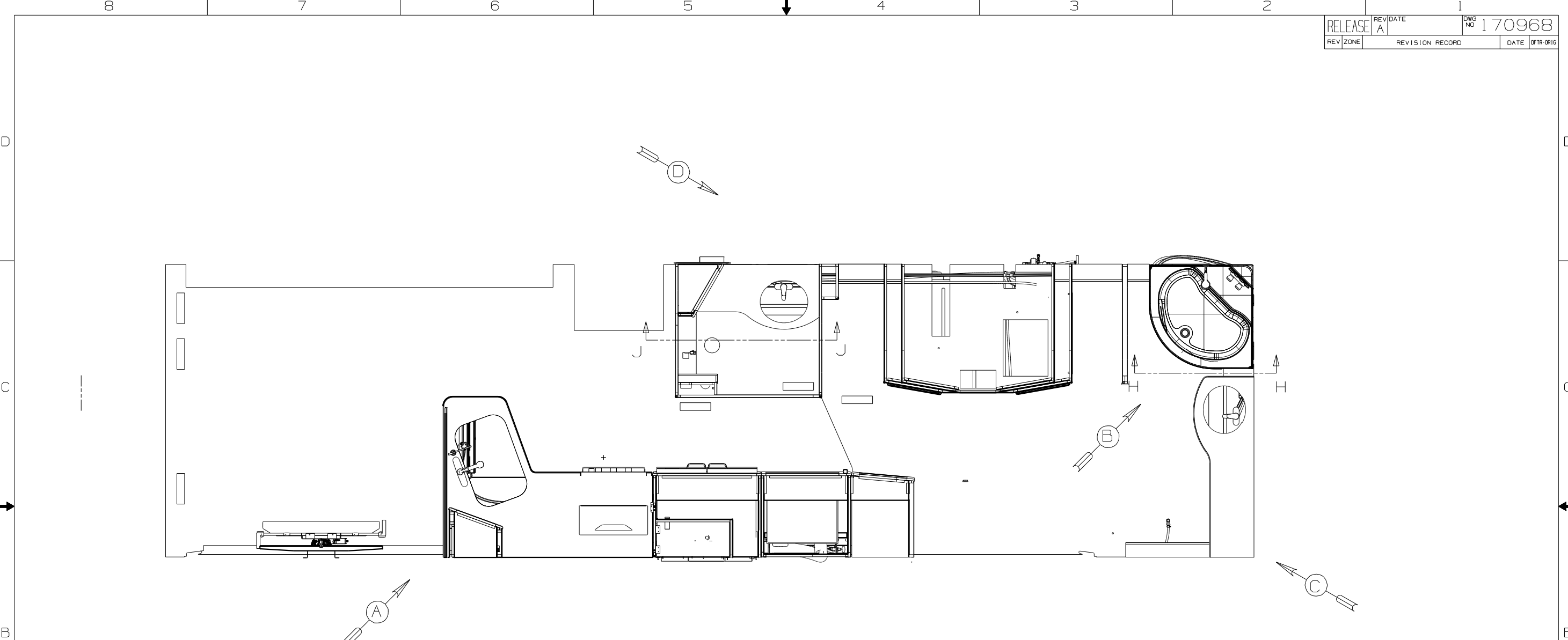
SHOWER INSTL
 166788-11-000
 STRAINER
 066440-01-000
 WASHER-RUBBER
 127440-02-CHT
 TAILPIECE
 011069-02-000
 NUT
 130403-01-000

STRAP-CONDUIT, 2"
 8406-01-000 (3)

FIRST USED	10 J37F
DO NOT SCALE DRAWING	
TITLE:	DRAINAGE SYSTEM INSTL
SHEET 3	PART NO 170959 REV



FIRST USED	10 J37F
DO NOT SCALE DRAWING	
TITLE	DRAINAGE SYSTEM INSTL
SHEET 4	PART NO 170959 REV



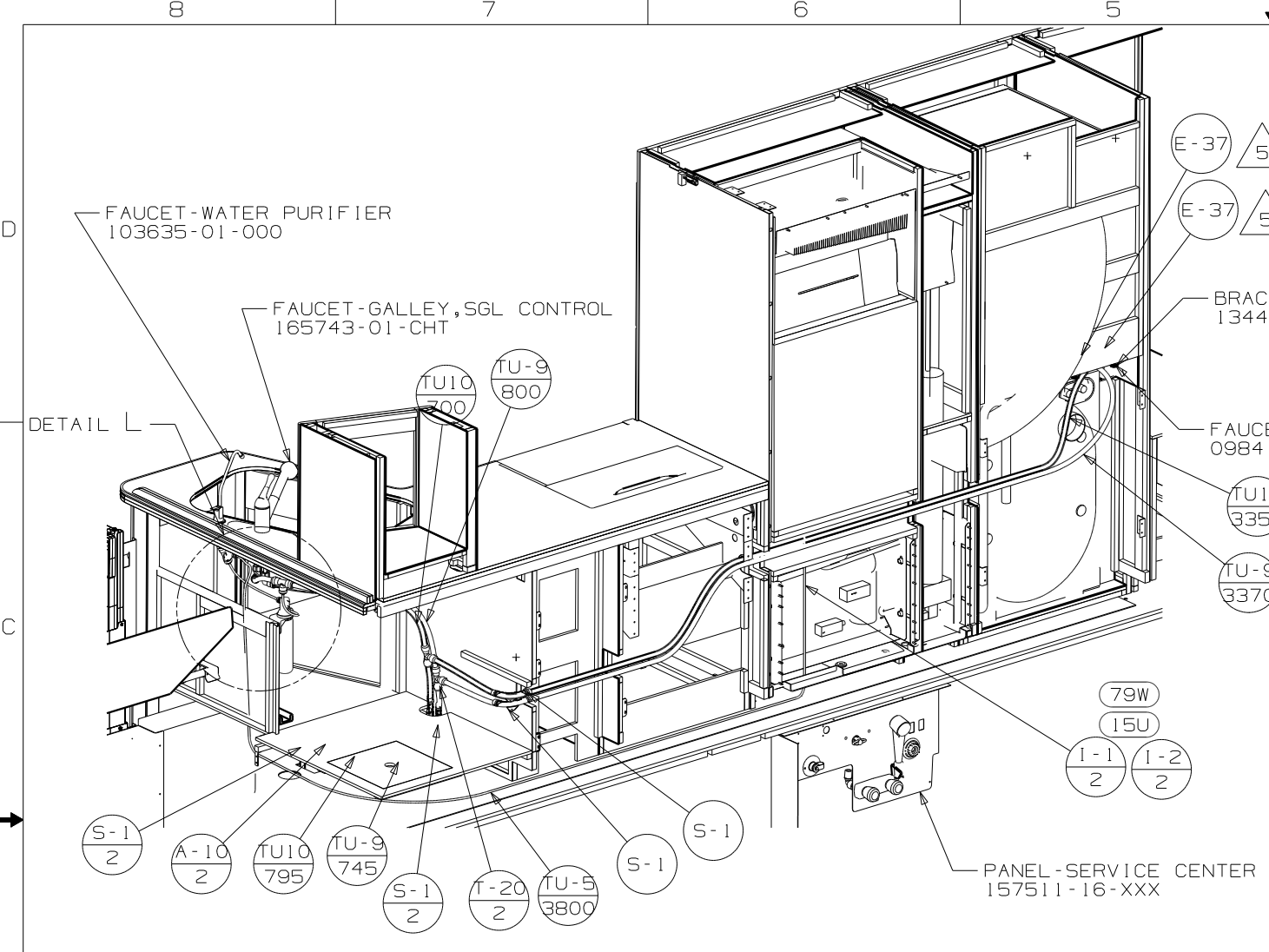
- (144) REFRIGERATOR-DOUBLE DOOR
- (15U) REFRIGERATOR/FRZR-W/ICEMAKER
- (29B) WATER PURIFIER
- (1B2) WTR HTR-10 GAL/ELEC/LP/MTR AID
- (53E) WATER SYS WINTERIZATION PKG

- NOTES:
- 6 USE IN PLACE OF SUPPLIED SCREWS TO ATTACH BRACKET TO WALL.
 - 5 ADD TEFLON TAPE 010405-02-000.
 - 4 ADD TEFLON TAPE 010405-01-000.
 - 3. ALL TUBING TO BE SECURED AT 1200 INTERVALS MAXIMUM WITH CLAMP 010495-01-000 AND SCREW 000G67-10-12B OR EQUIVALENT.
 - 2. TUBING TO BE INSTALLED WITH SUFFICIENT SLOPE TO PROVIDE DRAINAGE TO NEAREST VALVE.
 - 1. PLASTIC FITTINGS TO BE SEALED WITH SEALANT 084456-01-000.

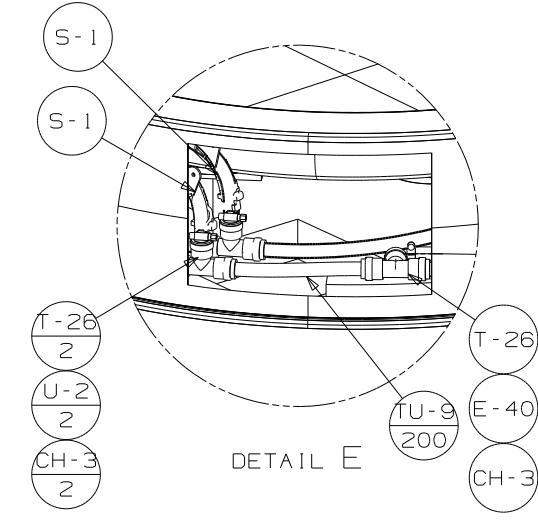
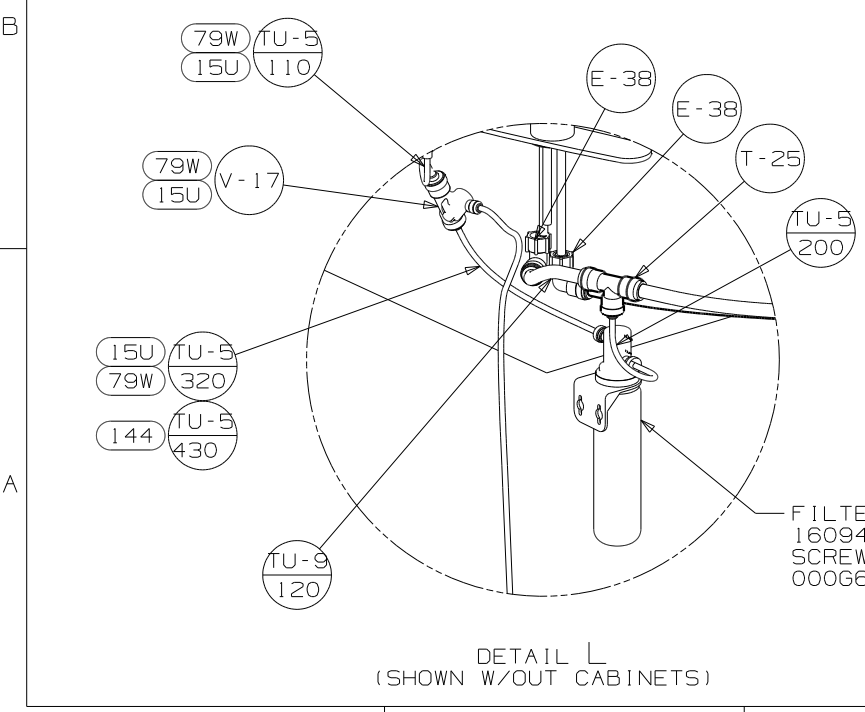
WINNEBAGO		COPYRIGHT 2010 WINNEBAGO INDUSTRIES, INC.	
DFT	ORIG. DATE	ALL DIMENSIONS ARE IN MILLIMETERS	
CHKR		FIRST USED	
P.E.		10 J37F	
M.E.		UNSPECIFIED TOLERANCES ARE:	
DSNR		WHOLE DIM (X) : 3	
		ONE-PLACE (X.X) : 1.5	
		TWO-PLACE (X.XX) : 0.50	
		ANGLE : 1°	
THIRD ANGLE PROJECTION		MATERIAL:	
DO NOT SCALE DRAWING		REFER TO ES0018 FOR FASTENER TIGHTENING GUIDELINES	
TITLE: WATER SYSTEM INSTL			
SHEET 1 OF 4	PART NO	170968	REV
REF:	12/19/2010		

FOR
WATER
CALLOUTS
SEE DWG NO
116230-01-000

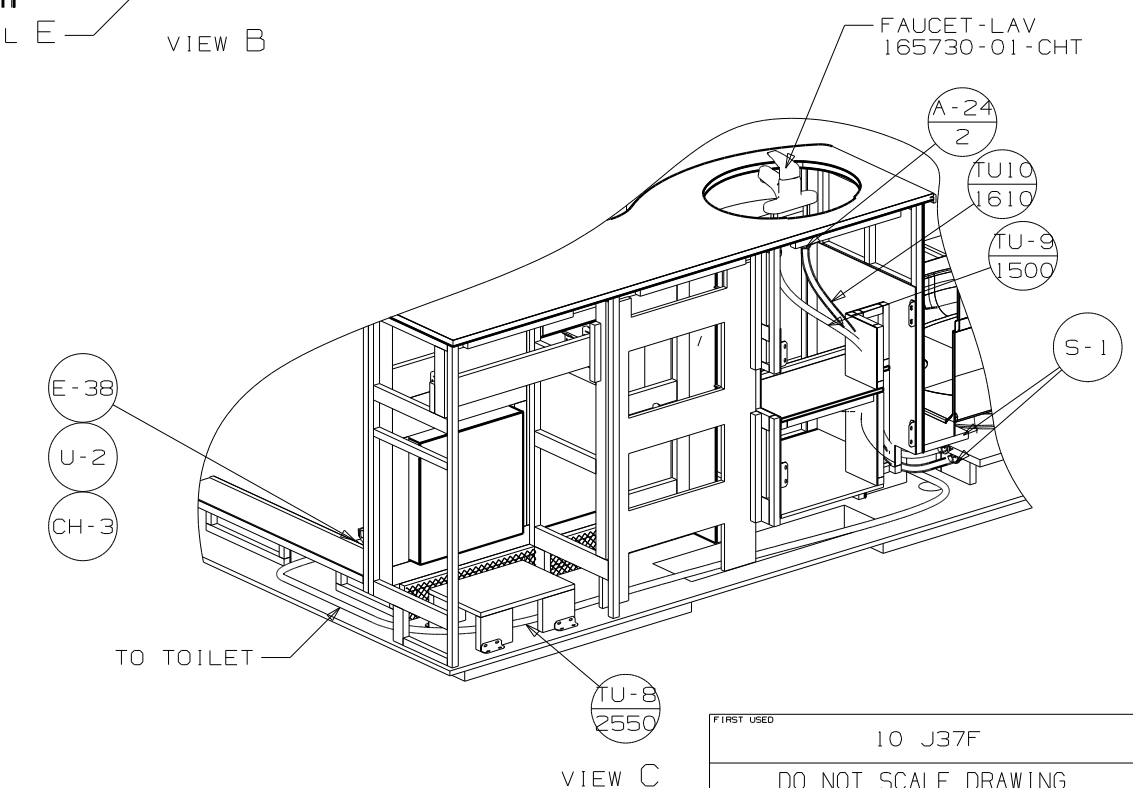
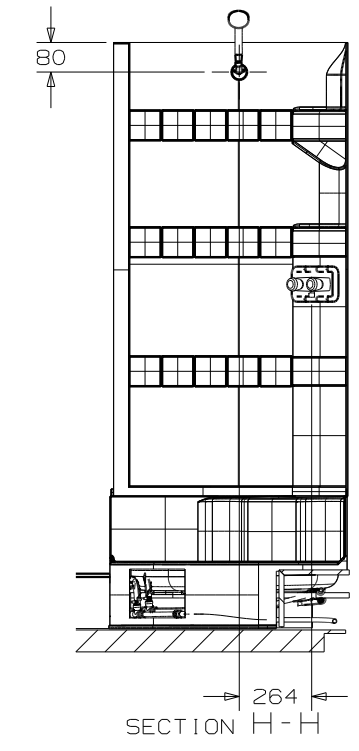
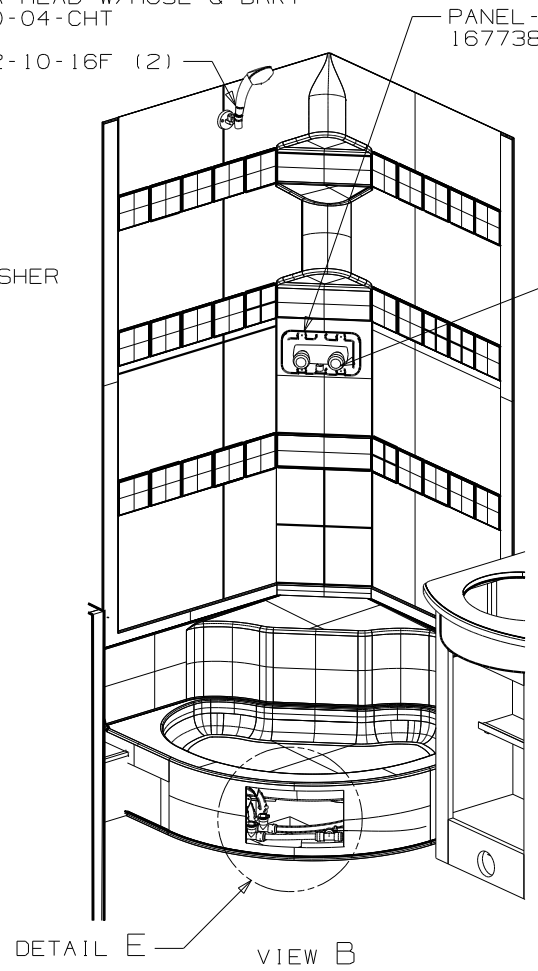




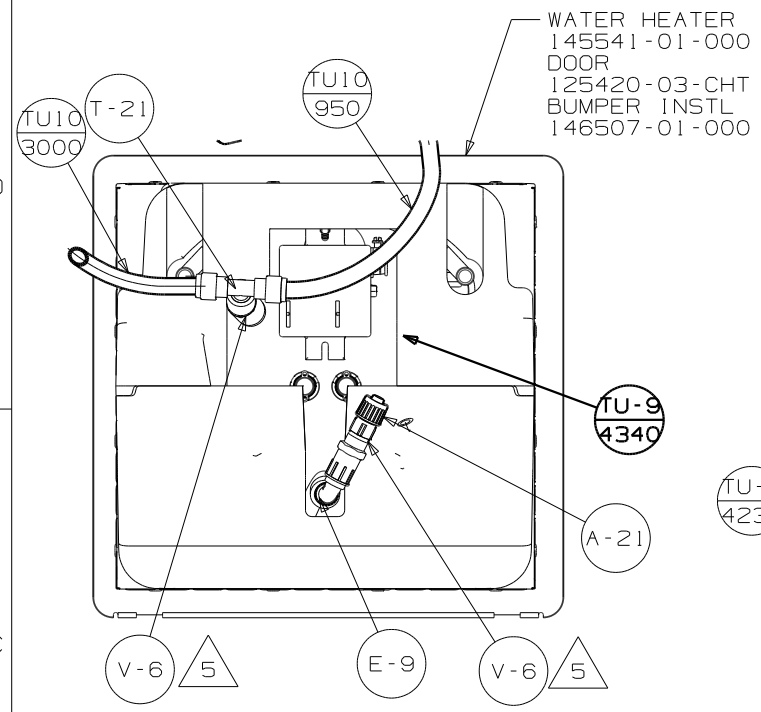
VIEW A



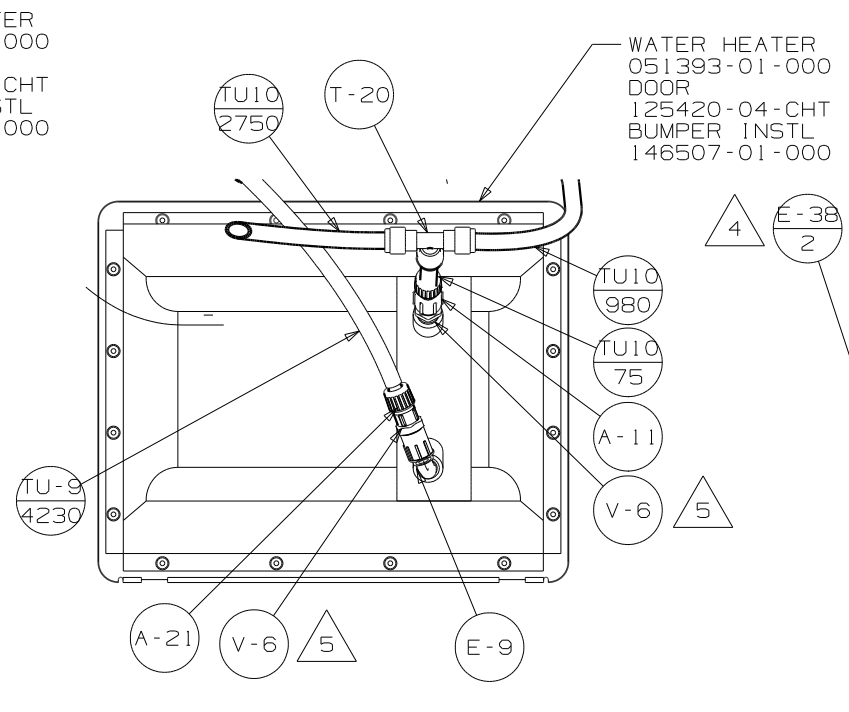
6 SHOWER HEAD-W/HOSE & BRKT
129390-04-CHT
SCREW
000612-10-16F (2)



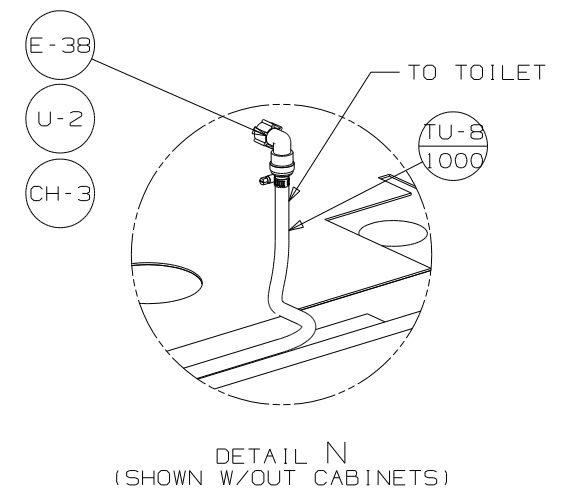
FIRST USED	10 J37F
TITLE	DO NOT SCALE DRAWING
SHEET 2	PART NO 170968 REV
	12/19/2010



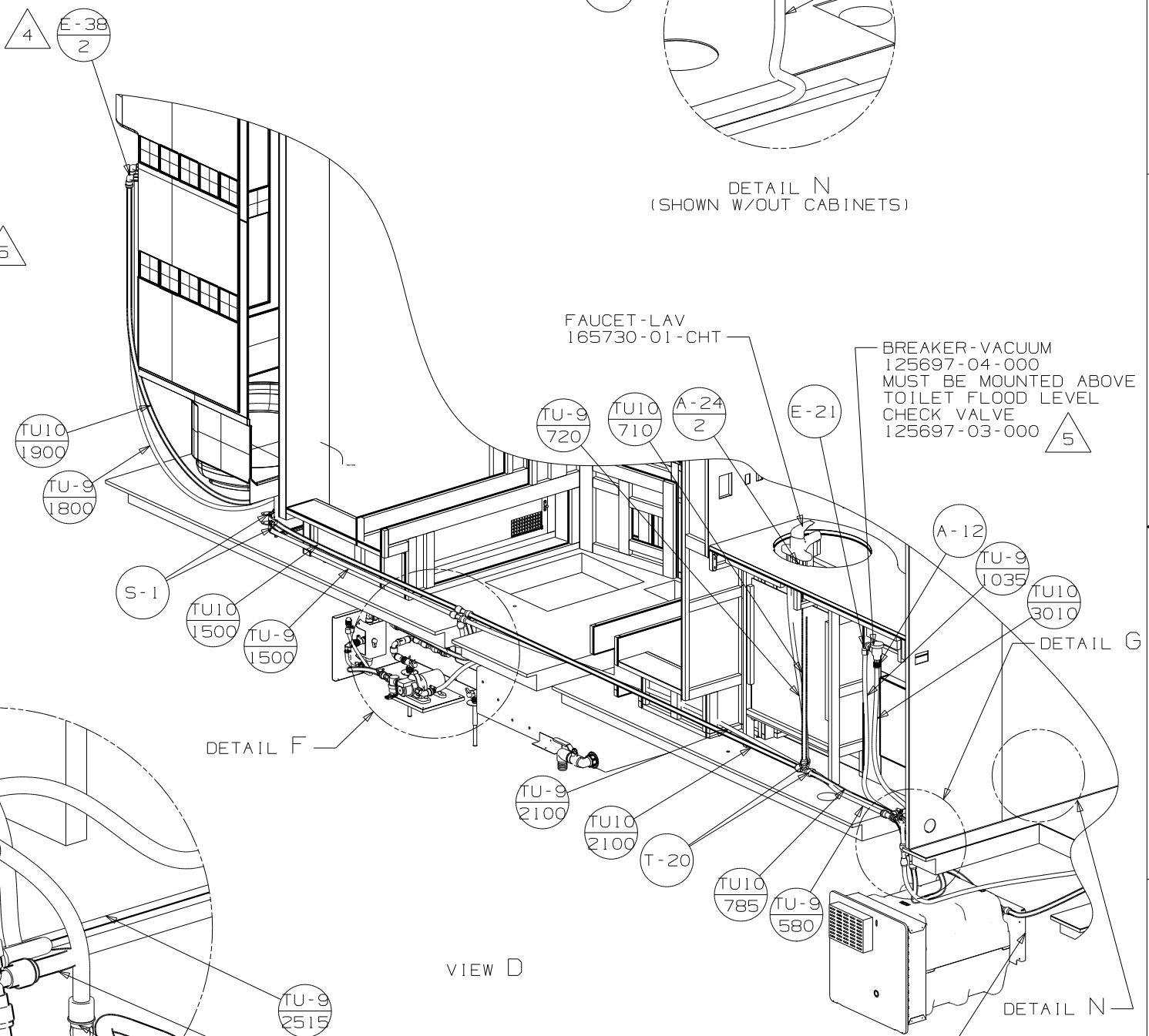
SECTION J-J
(SHOWN W/OUT ACCESS PANEL)
1B2



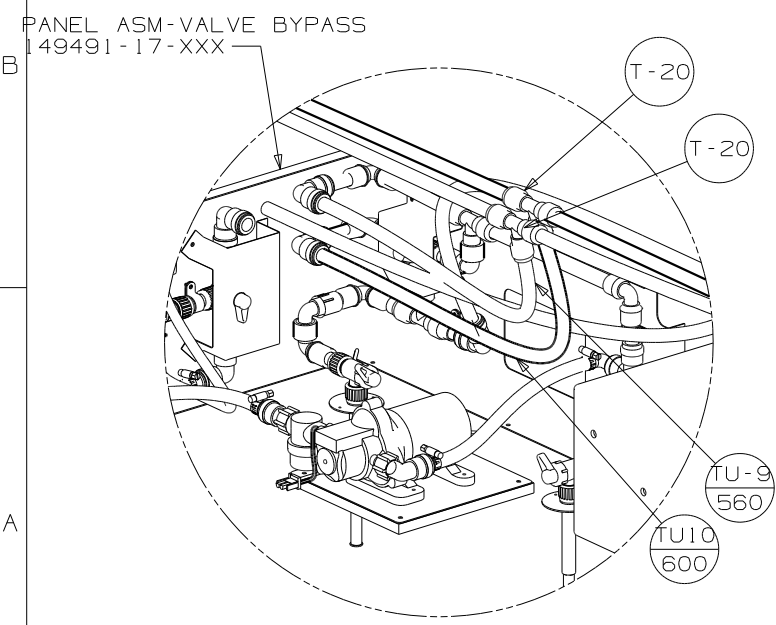
SECTION J-J
(SHOWN W/OUT ACCESS PANEL)
611



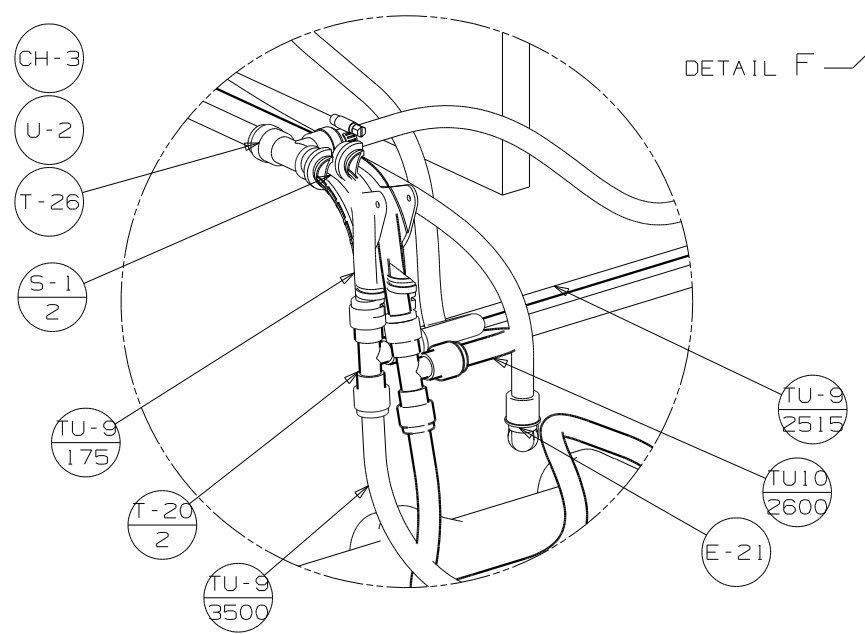
DETAIL N
(SHOWN W/OUT CABINETS)



VIEW D



DETAIL F
(SHOWN W/OUT FLOOR & CABINETS)



DETAIL G
(SHOWN W/OUT FLOOR & CABINETS)

FIRST USED	10 J37F
TITLE	DO NOT SCALE DRAWING
TITLE	WATER SYSTEM INSTL
SHEET 3	PART NO 170968 REV

