

9. USE SMOOTH PLUMBERS PUTTY 167459-01-000 TO SEAL STRAINER(.2 PER STRAINER)
8. SECURE PIPES TO CABINET USIN WIRE TIE 108046-02-000 AND SCREW G67-10-12U (8).
7. SEE DWG 61607-01-000 FOR INSTL OF GROMMET.
6. VENT PIPE MUST PROJECT 51 MIN AND 64 MAX ABOVE ROOF FOR PROPER FIT AND FUNCTION.
5. SEAL AROUND SHOWER WITH SILICONE.
4. ALL EXTERIOR SECURE PIPES TO FLOOR USING BRACKET 136878-01-CHT (3) CLAMP 62401-02-000 (3)AND SCREW G67-10-12B (3).
3. ALL PIPE AND FITTINGS TO BE ASSEMBLED WITH SOLVENT 4020-01-000 (US) 4020-02 (CAN).
2. SLOPE OF TRAP ARM MUST BE 6 PER 305 mm.
1. SLOPE OF HORIZONTAL PIPING TO BE MIN 3 PER 305 mm.

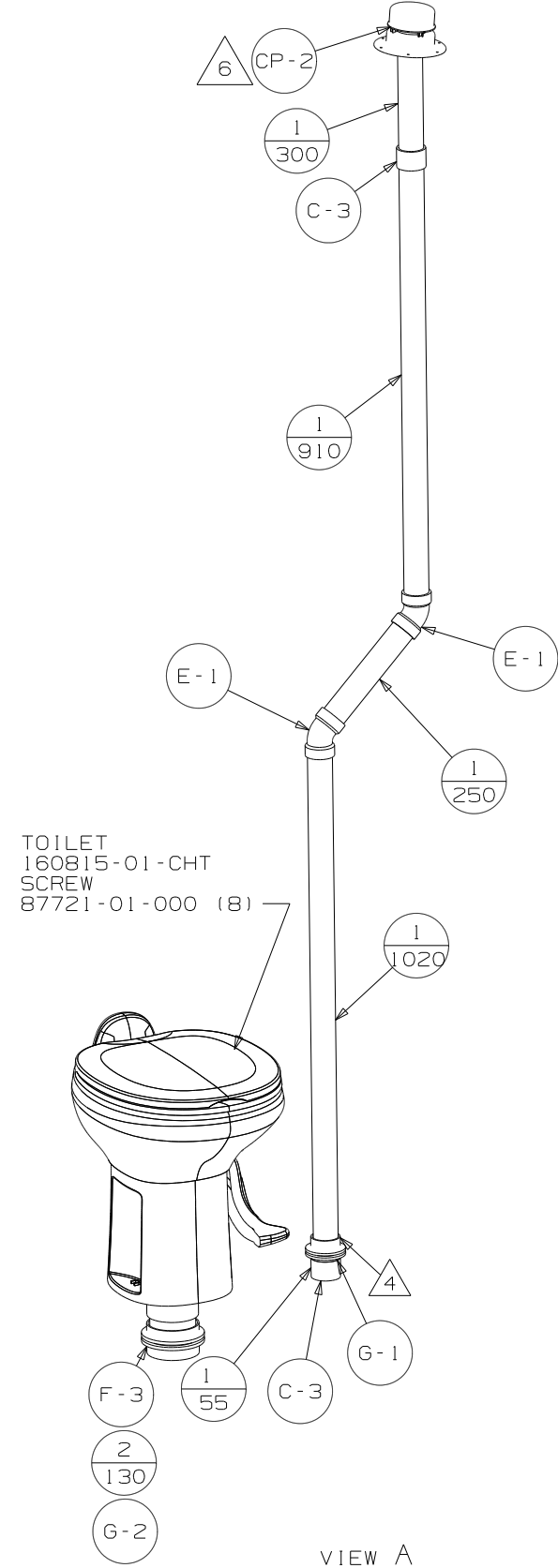
- (21M) WASHER/DRYER PREP
- (54E) WASHER/DRYER
- (1B1) CODES/STANDARDS USA
- (265) CODES/STDS-CSA/CMVSS
- (44X) BED-QUEEN SIDEWALL
- (23C) BED-KING SIDEWALL

WINNEBAGO		COPYRIGHT 2009 WINNEBAGO INDUSTRIES, INC.	
DFT	ORIG. DATE	ALL DIMENSIONS ARE IN MILLIMETERS	
CHKR		FIRST USED	
P.E.		09 J35Z	
M.E.		UNSPECIFIED TOLERANCES ARE:	
DSNR		MATERIAL:	
		WHOLE DIM (X) :	5
		ONE-PLACE (X.X) :	
		TWO-PLACE (X.XX) :	
		ANGLE :	
		THIRD ANGLE PROJECTION	
DO NOT SCALE DRAWING			
TITLE: DRAINAGE SYSTEM INSTL			
SHEET 1 OF 3	PART NO	166466	REV
REF:	1 10/8/2009		

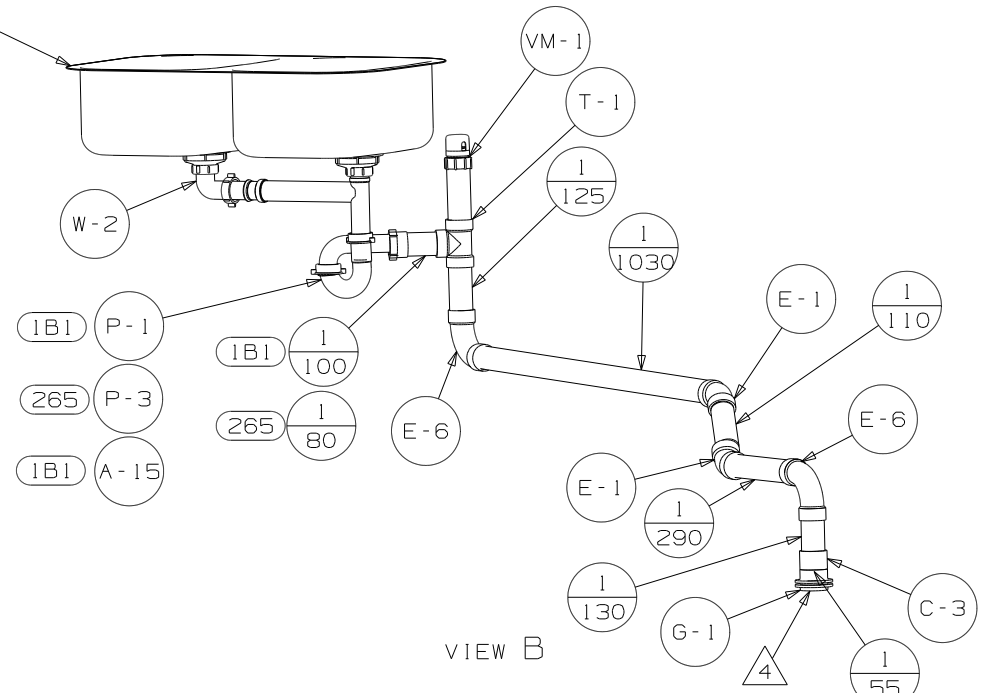
(X-X)
FOR
DRAINAGE
CALLOUTS
SEE DWG NO
116229-01-000

NOTES:

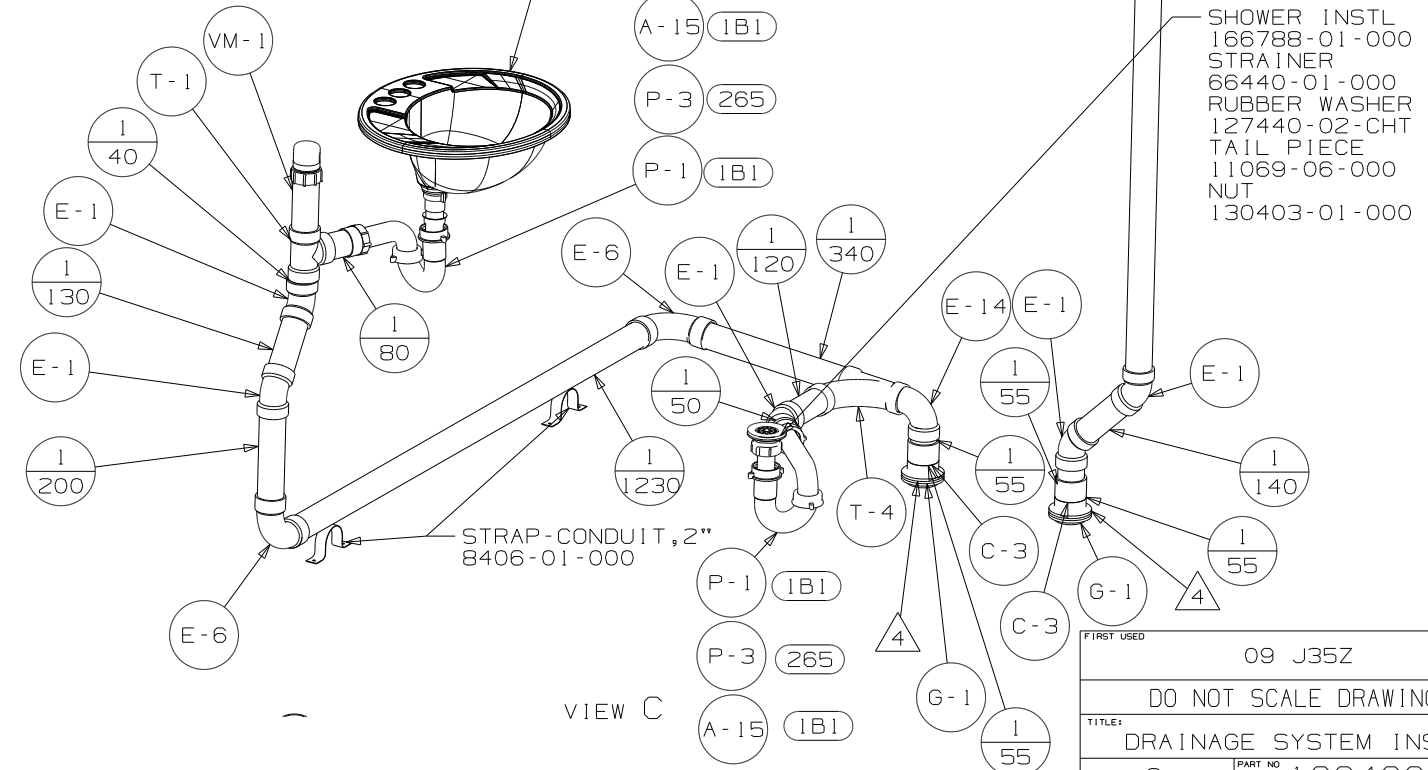
- SINK-DBL
- 173783-01-CHT
- STRAINER
- 92303-01-000 (2)
- BRACKET
- 140002-01-CHT (8)
- SCREW
- 142261-02-CHT (20)
- SEAL (A/R)



VIEW A

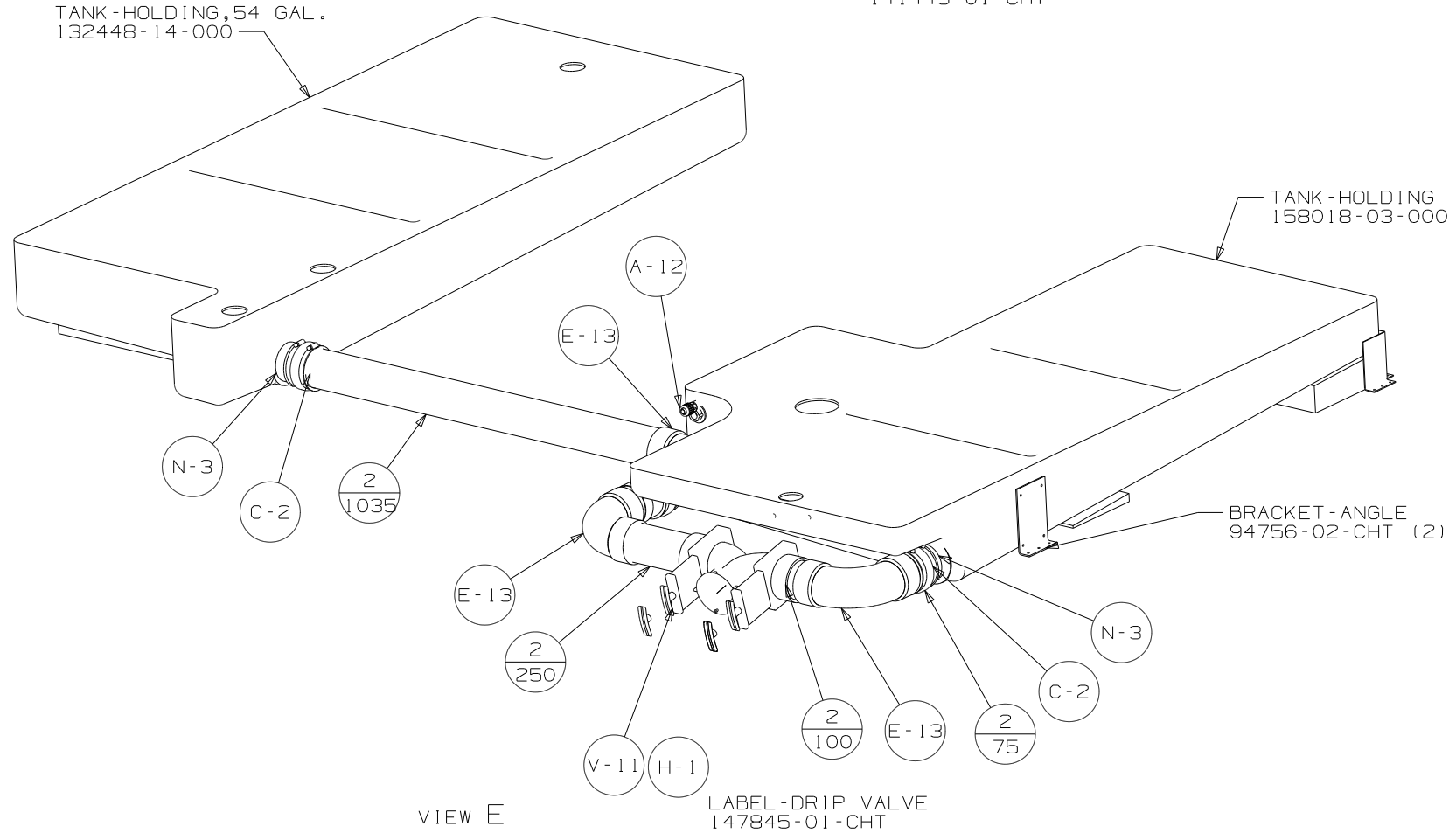
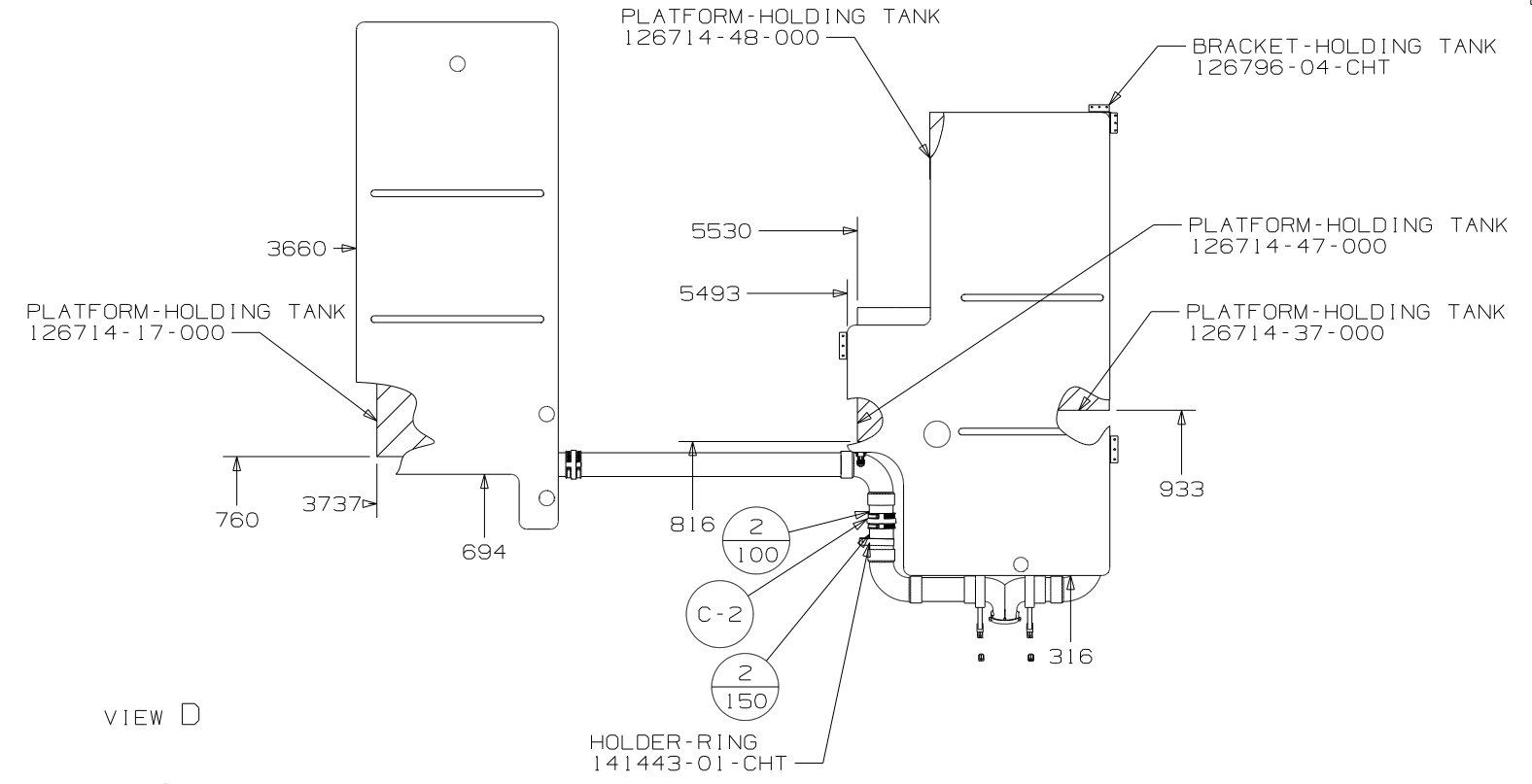
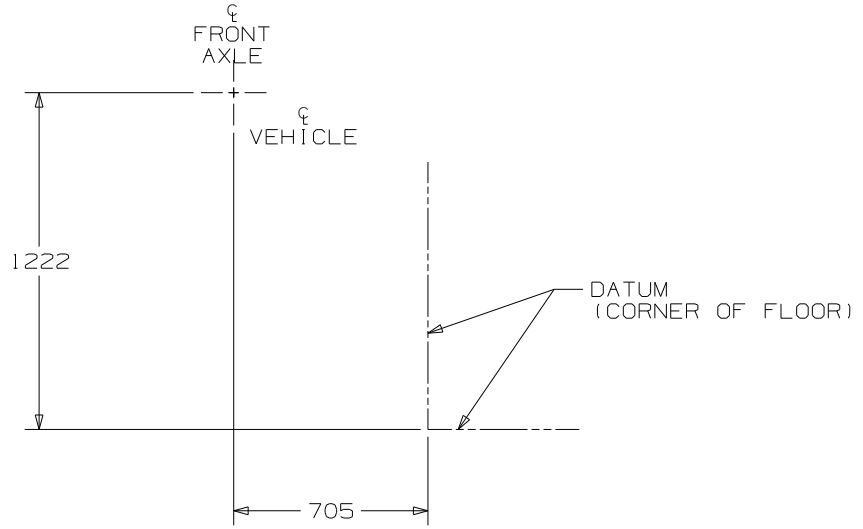


VIEW B

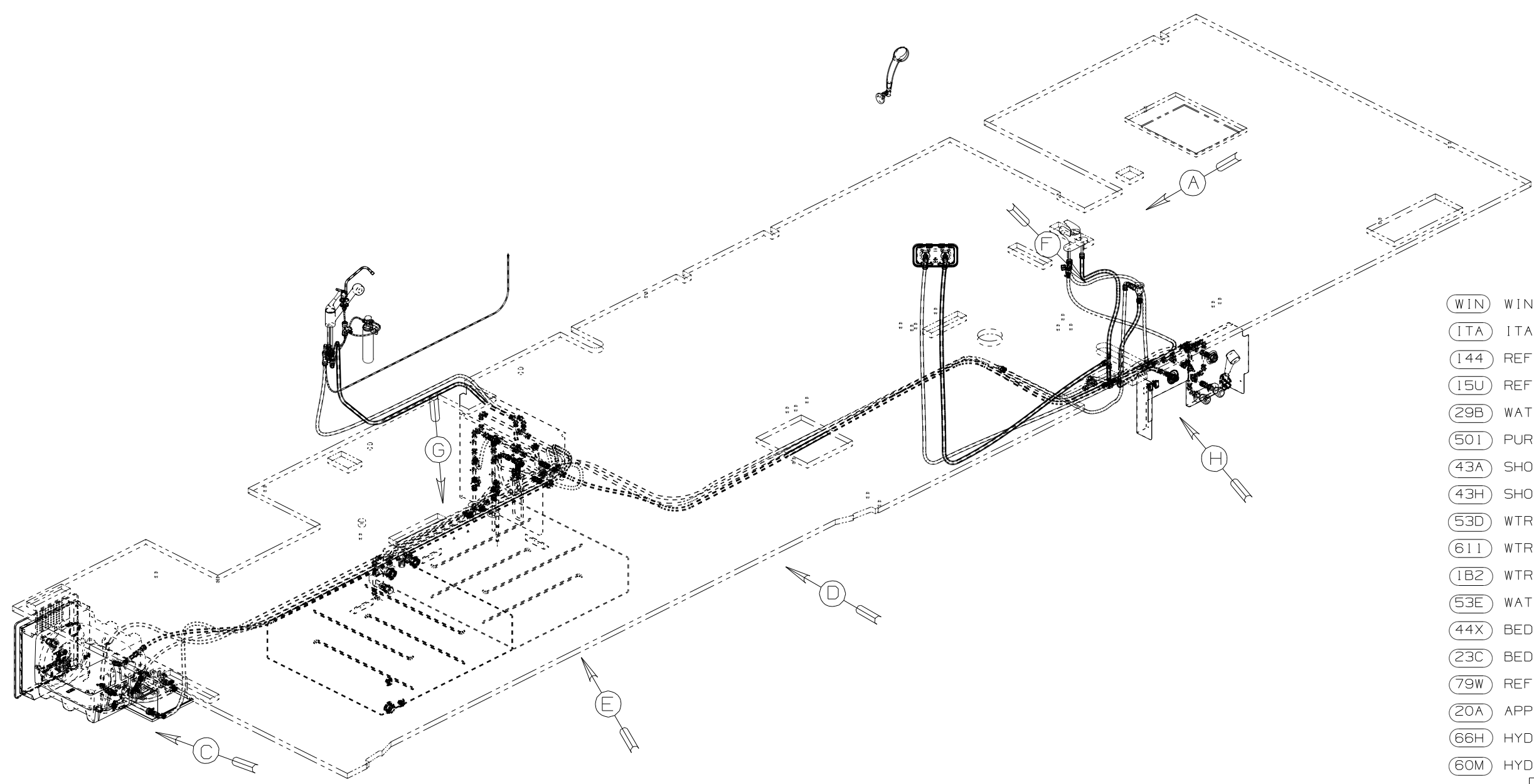


VIEW C

FIRST USED	09 J35Z	
DO NOT SCALE DRAWING		
TITLE:	DRAINAGE SYSTEM INSTL	
SHEET 2	PART NO	166466
REV		



FIRST USED	09 J35Z	
TITLE	DO NOT SCALE DRAWING	
	DRAINAGE SYSTEM INSTL	
SHEET 3	PART NO 166466	REV



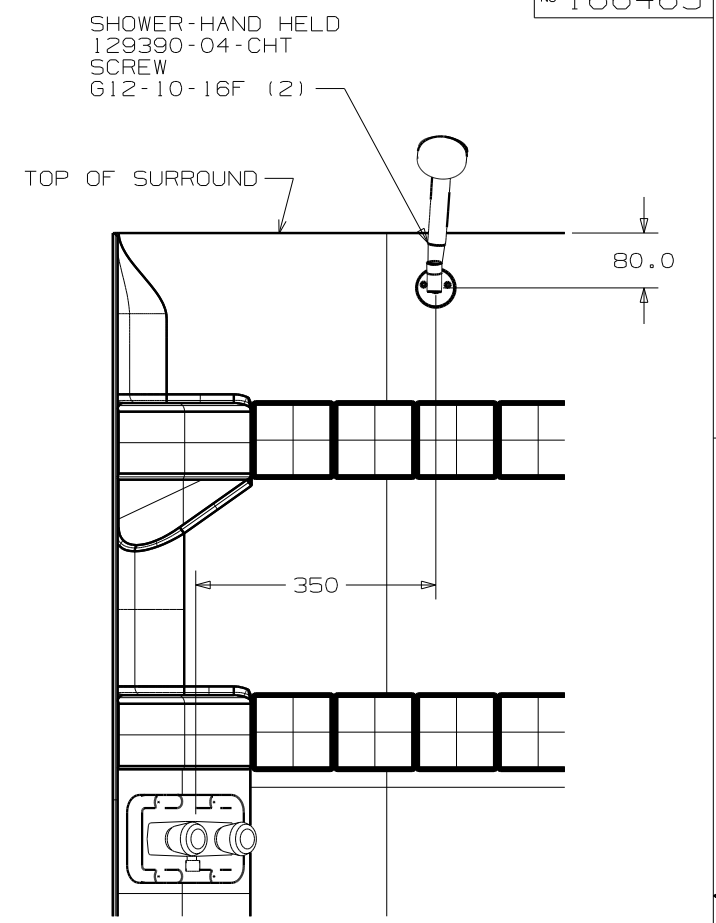
- (WIN) WINNEBAGO ONLY
- (ITA) ITASCA ONLY
- (144) REFRIGERATOR-DOUBLE DOOR
- (15U) REFRIGERATOR/FRZR W/ICEMAKER
- (29B) WATER PURIFIER
- (50I) PURIFIER W/O
- (43A) SHOWER HEAD-FIXED
- (43H) SHOWER HEAD-HAND HELD
- (53D) WTR-HTR-6/ELE/LP/MA
- (61I) WTR-HTR-AUX AUTO MA
- (1B2) WTR HTR-10GAL/E,EC/LP/MTR AID
- (53E) WATER SYS WINTERIZATION PKG
- (44X) BED-QUEEN SIDEWALL
- (23C) BED-KING OFF SIDEWALL
- (79W) REFRIGERATOR 4-DOOR
- (20A) APPLIANCE PKG STAINLES S W/O
- (66H) HYDRAULIC LEVEL JACKS-AUTO
- (60M) HYDRAULIC LEVEL JACKS

- 6 ADD TEFLON TAPE 10405-01-000.
 - 5 ADD TEFLON TAPE 10405-02-000.
 - 4 USED IN PLACE OF SUPPLIED SCREWS TO ATTACH BRACKET TO WALL.
3. ALL TUBING TO BE SECURED AT 1200 INTERVALS MAXIMUM WITH CLAMP 10495-01-000 AND SCREW G67-10-12B OR EQUIVALENT.
 2. TUBING TO BE INSTALLED WITH SUFFICIENT SLOPE TO PROVIDE DRAINAGE TO NEAREST VALVE.
 1. PLASTIC FITTINGS TO BE SEALED WITH SEALANT 84456-01-000.

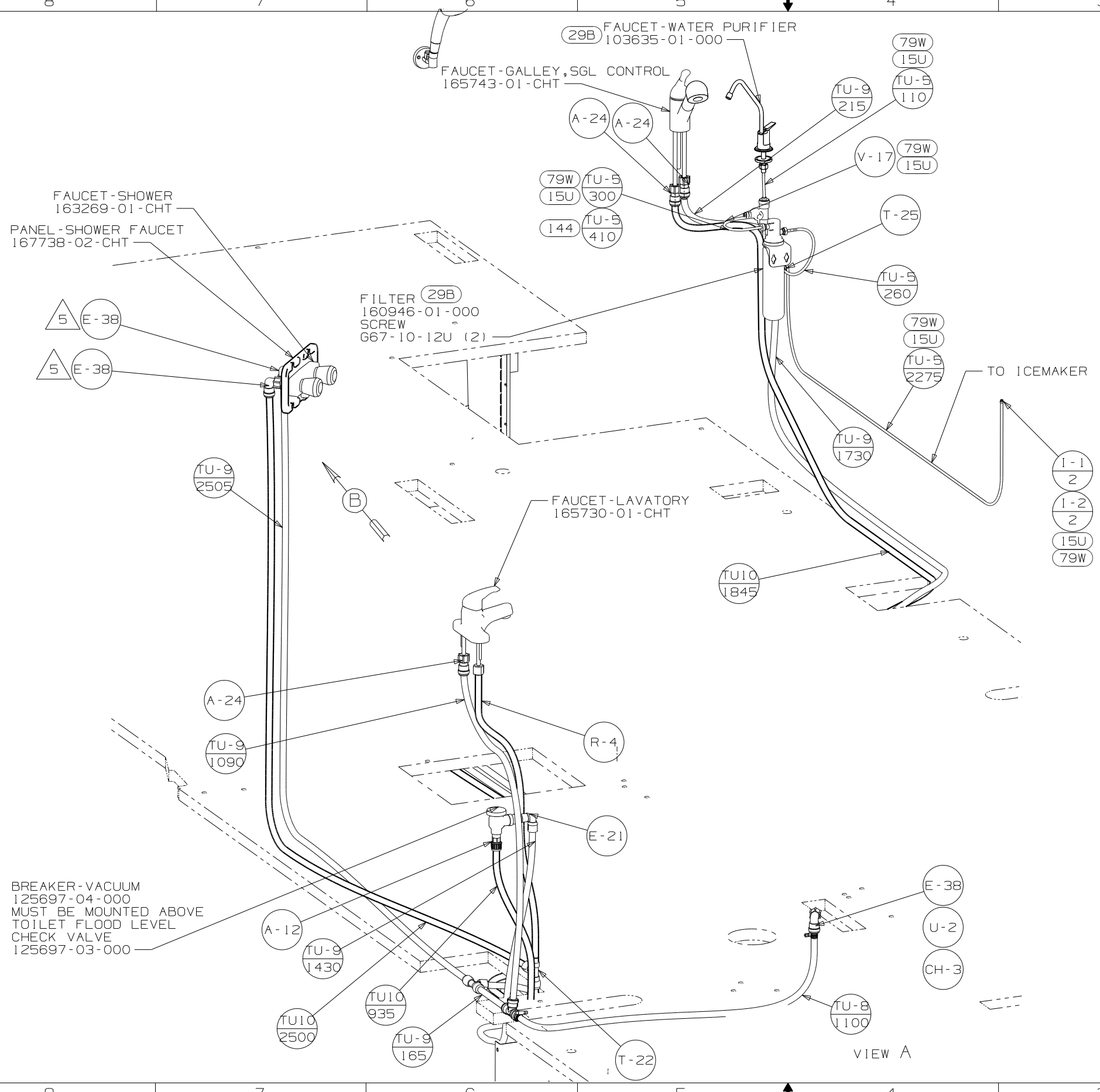
NOTES:

(X-X)
FOR
WATER
CALLOUTS
SEE DWG NO
116230-01-000

WINNEBAGO		COPYRIGHT 2010 WINNEBAGO INDUSTRIES, INC.	
DFTR	ORIG. DATE	ALL DIMENSIONS ARE IN MILLIMETERS	
CHKR		FIRST USED	
P.E.		09 J35Z	
M.E.			
DSNR			
UNSPECIFIED TOLERANCES ARE:		MATERIAL:	
WHOLE DIM (X)	: 7		
ONE-PLACE (X.X)	:		
TWO-PLACE (X.XX)	:		
ANGLE	:		
THIRD ANGLE PROJECTION			
DO NOT SCALE DRAWING		REFER TO ES0018 FOR FASTENER TIGHTENING GUIDELINES	
TITLE: WATER SYSTEM INSTL			
SHEET 1 OF 4	PART NO	166465	REV
REF:		12/19/2010	



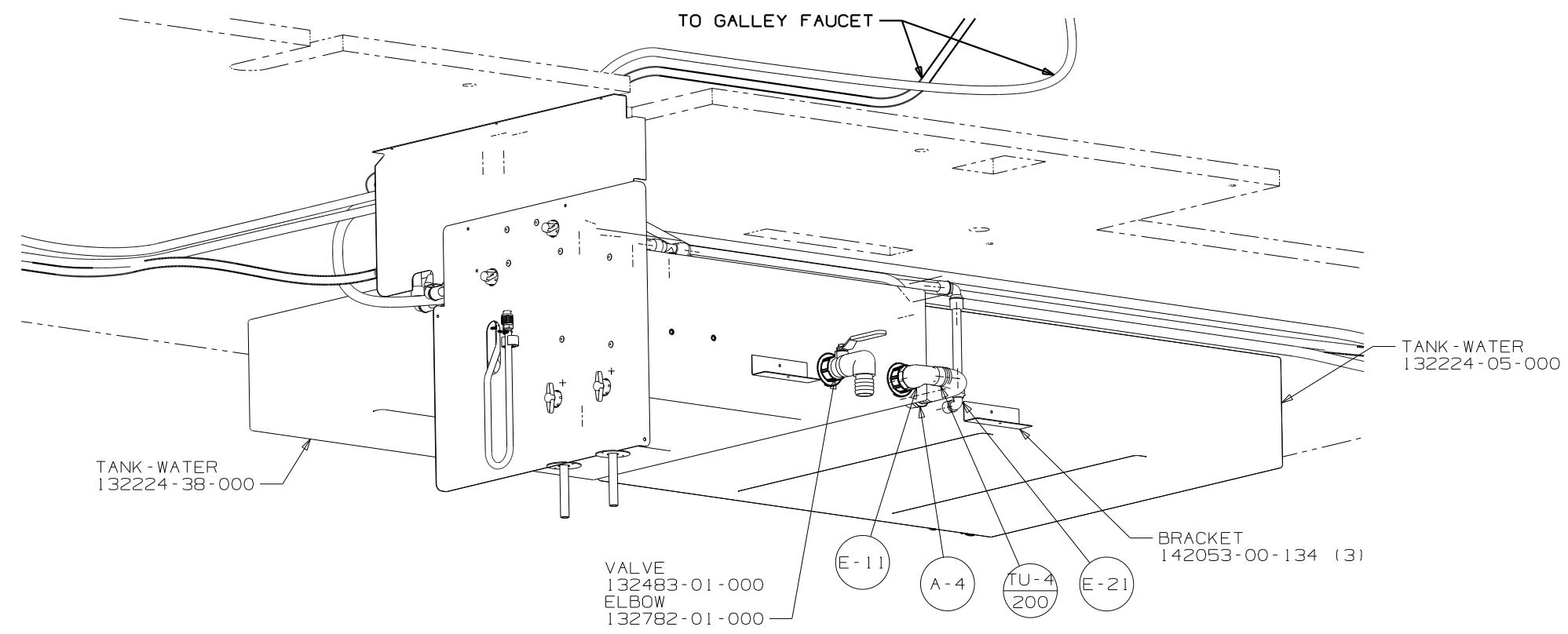
VIEW B



VIEW A

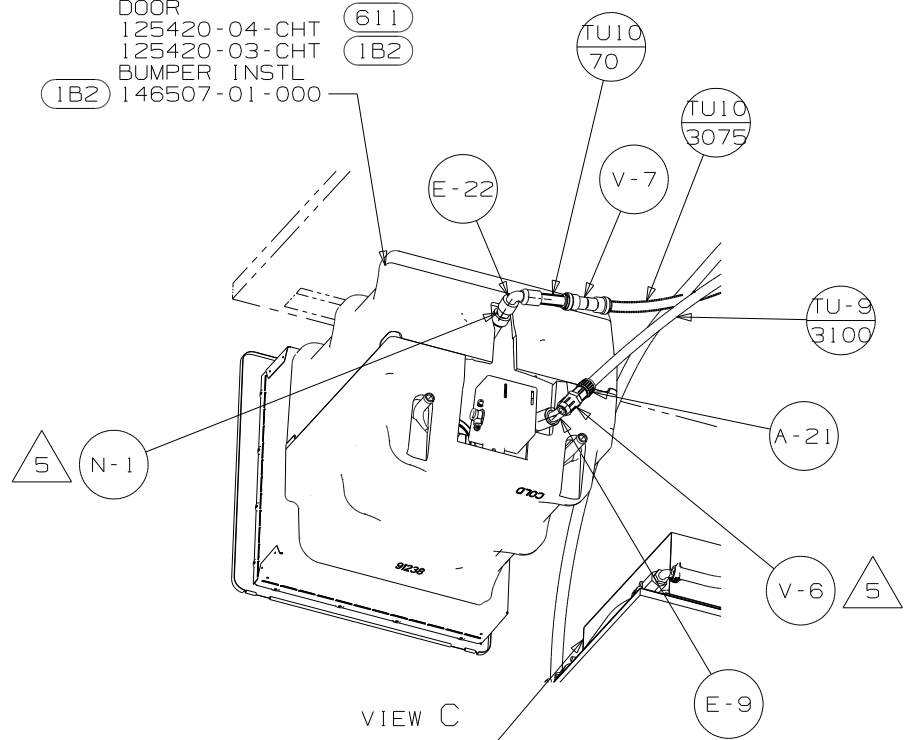
(44X) BED-QUEEN SIDEWALL

FIRST USED	09 J35Z	
TITLE	DO NOT SCALE DRAWING	
SHEET 2	PART NO	166465
	REV	



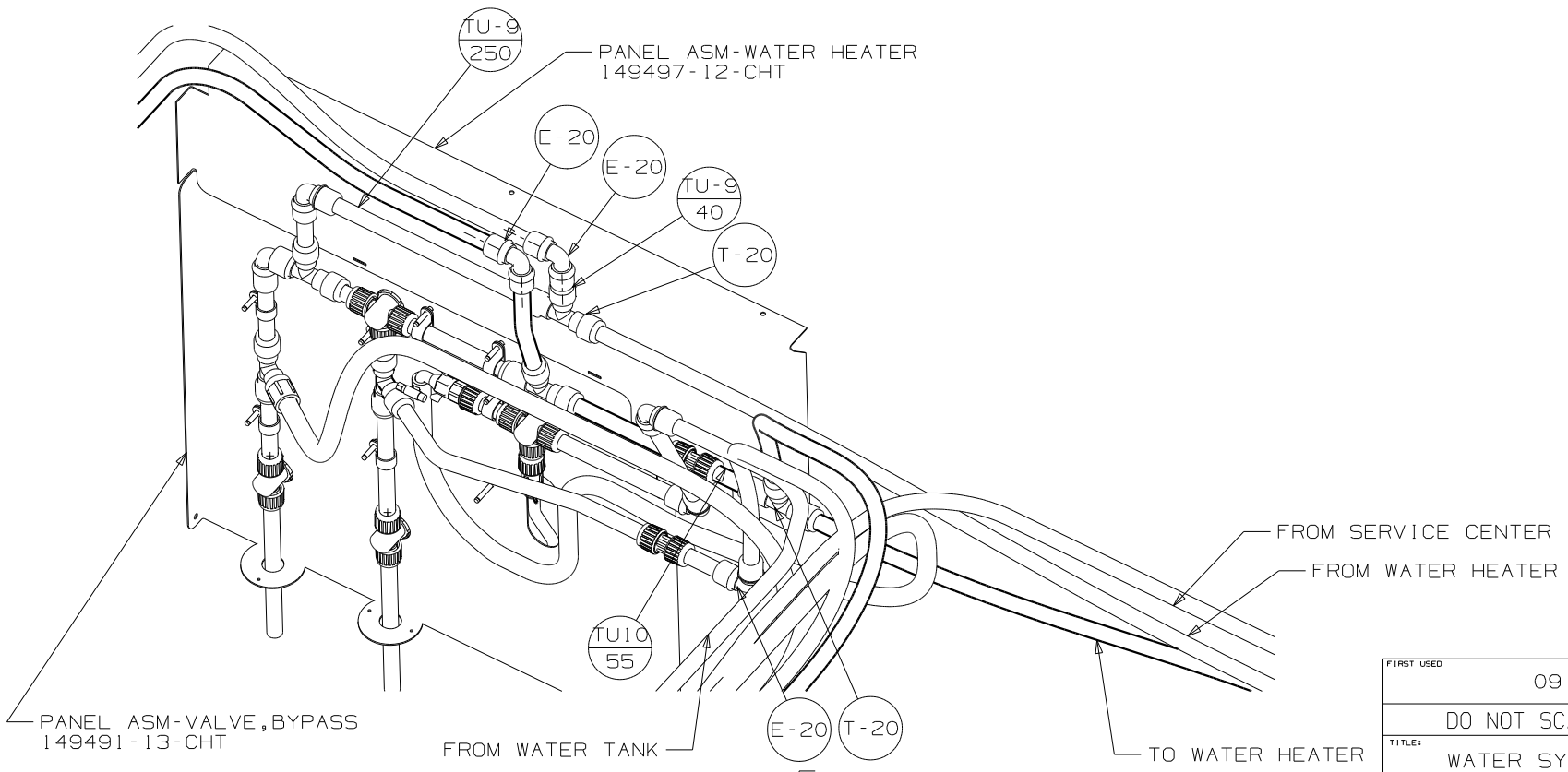
VIEW D

- WATER HEATER (53D)
- 145541-02-000 (611)
- 51393-01-000 (1B2)
- 145541-01-000 (1B2)
- DOOR (611)
- 125420-04-CHT (1B2)
- 125420-03-CHT (1B2)
- BUMPER INSTL (1B2)
- 146507-01-000 (1B2)



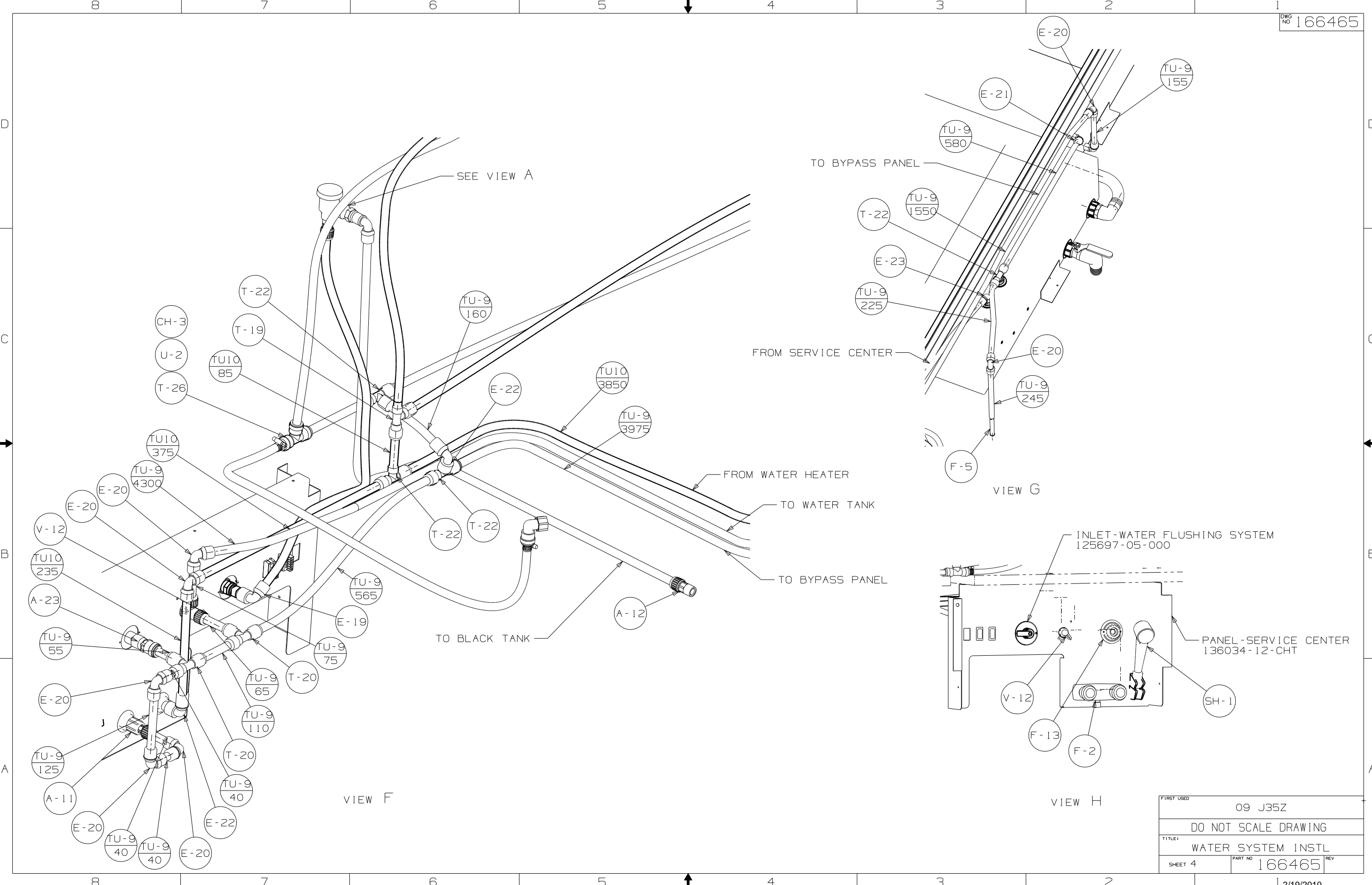
VIEW C

PANEL - COVER, WATER SYSTEM
173593-02-CHT
SCREW
000G39-08-08B (4)



VIEW E

FIRST USED	09 J35Z	
DO NOT SCALE DRAWING		
TITLE	WATER SYSTEM INSTL	
SHEET 3	PART NO 166465	REV



SEE VIEW A

TO BYPASS PANEL

FROM SERVICE CENTER

FROM WATER HEATER

TO WATER TANK

TO BYPASS PANEL

TO BLACK TANK

INLET-WATER FLUSHING SYSTEM
125697-05-000

PANEL-SERVICE CENTER
136034-12-CHT

VIEW F

VIEW G

VIEW H

FIRST USED	09 J35Z	
TITLE:	DO NOT SCALE DRAWING	
	WATER SYSTEM INSTL	
SHEET 4	PART NO	166465
	REV	