

2010 Adventurer J35Z Wiring Diagram Book

110 Volt Load Center/Auto Transfer Switch
AC/Heat/EMS Wiring Diagram
Antenna Installation, Radio and CB
Auto Lamps Wiring Diagram
Automotive Wiring Diagram
Backup Monitor Installation
Battery Installation - Ford & Workhorse
Battery Installation - Freightliner
Body, 110 Volt Wiring Diagram
Body, 110 Volt Wiring Installation
Body, 12 Volt Wiring Installation
Chassis Electrical Box Assembly - Ford & Workhorse
Chassis Electrical Box Assembly - Freightliner
Chassis Wiring Installation
Dash Radio Installation
Exterior Lamps Wiring Installation
Front End Wiring Installation
Holding Tank Monitor Panel
Holding Tanks Wiring Diagram
TV Coax Wiring Diagram
TV/DVD Wiring Installation

Complete Wiring Diagram Book (701674-79-028)



DANGER

Danger of electrical shock, burns or death. Always remove all power sources before attempting any repair, service or diagnostic work. Power can be present from shore power, generator, inverter or battery. All power sources must be disabled and secured before performing any service.



CAUTION

If you lack the skills, tools or equipment to perform diagnostic or repair work leave such work to an authorized Winnebago Industries dealer or other qualified shop.

	8	7	6	5	4	3	2	1
		J32H	J37F	J35Z	J38N	J35P		
BLK	14-UL	136131-06-040	136131-06-085	136131-06-030	136131-06-075	136131-06-040		
	14-CA	136134-06-040	136134-06-085	136134-06-030	136134-06-075	136134-06-040		
BLU	14-UL	136131-02-105	136131-02-270	136131-02-075	136131-02-165	136131-02-135		
	14-CA	136134-02-105	136134-02-270	136134-02-075	136134-02-165	136134-02-135		
BRN	14-UL	136131-03-040	136131-03-085	136131-03-120	136131-03-015	136131-03-040		
	14-CA	136134-03-040	136134-03-085	136134-03-120	136134-03-015	136134-03-040		
GLD	12-UL	N/A	136135-10-085	N/A	136135-10-065	136135-10-046	(21M) (54E)	
	12-CA	N/A	136136-10-085	N/A	136136-10-065	136136-10-046	(21M) (54E)	
GRN	12-UL	136135-08-090	136135-08-065	136135-08-110	136135-08-095	136135-08-095	(78J)	
	12-CA	136136-08-090	136136-08-065	136136-08-110	136136-08-095	136136-08-095	(78J)	
	12-UL	136135-08-070	136135-08-048	136135-08-093	136135-08-060	136135-08-075	(12D)	
	12-CA	136136-08-070	136136-08-048	136136-08-093	136136-08-060	136136-08-075	(12D)	
GRN 2	12-UL	136135-14-054	136135-14-080	136135-14-054	136135-14-054	136135-14-054	(12D)	
	12-CA	136136-14-054	136136-14-080	136136-14-054	136136-14-054	136136-14-054	(12D)	
PUR	14-UL	136131-04-090	136131-04-065	136131-04-140	136131-04-160	136131-04-090		
	14-CA	136134-04-090	136134-04-065	136134-04-140	136134-04-160	136134-04-090		
RED	12-UL	136135-07-090	136135-07-065	136135-07-110	136135-07-095	136135-07-095		
	12-CA	136136-07-090	136136-07-065	136136-07-110	136136-07-095	136136-07-095		
WHT	12-UL	136135-09-025	136135-09-051	136135-09-075	136135-09-040	136135-09-025	(1B2)	
	12-CA	136136-09-025	136136-09-051	136136-09-075	136136-09-040	136136-09-025	(1B2)	
YEL	14-UL	136131-05-020	136131-05-065	136131-05-030	136131-05-052	136131-05-020		
	14-CA	136134-05-020	136134-05-065	136134-05-030	136134-05-052	136134-05-020		
YEL 2	14-UL	136131-13-040	136131-13-085	136131-13-041	136131-13-055	136131-13-040		
	14-CA	136134-13-040	136134-13-085	136134-13-041	136134-13-055	136134-13-040		
GRY	14-UL	N/A	N/A	N/A	136131-15-075	-----	(14C)	
	14-CA	N/A	N/A	N/A	136134-15-075	-----	(14C)	
MAIN	10-UL	136137-01-070	136137-01-048	136137-01-093	136137-01-060	136137-01-075	(12D)	
	10-CA	136138-01-070	136138-01-048	136138-01-093	136138-01-060	136138-01-075	(12D)	
	6-3 UL	136139-01-070	136139-01-048	136139-01-093	136139-01-060	136139-01-075	(78J)	
	6-3 CA	136140-01-070	136140-01-048	136140-01-093	136140-01-060	136140-01-075	(78J)	
MAIN GROUND	N/A	N/A	136145-01-030	136145-01-045	-----			
ATS GROUND	136145-01-020	136145-01-020	136145-01-067	136145-01-061	136145-01-020			
CONDUIT ASM-CENTRAL A/C	151704-01-015	151704-01-015	151704-01-015	151704-01-015	151704-01-015			
GENERATOR CABLE-ASM	N/A	136148-02-027	136148-02-018	136148-02-018	136148-02-018		(1L1) OR (1L2)	

- (1L1) FRTL (FRED) 22K-300HP 22.5TIRE
- (1L2) FRTL (FRED) 27K-300HP 22.5TIRE
- (14C) FIREPLACE-ELECTRIC
- (54E) WASHER/DRYER
- (21M) WASHER/DRYER PREP
- (1B2) WTR HTR-10GAL/ELEC/LP/MTR/ID
- (78J) ELECTRICAL SYSTEM-50 AMP
- (12D) ELECTRICAL SYSTEM 30 AMP
- (265) CODES/STANDARDS-CSA/CMVSS
- (1B1) CODES/STANDARDS USA

WINNEBAGO COPYRIGHT 2009 WINNEBAGO INDUSTRIES, INC.

DFTR	ORIG. DATE
CHKR	ALL DIMENSIONS ARE IN MILLIMETERS
P.E.	FIRST USED
M.E.	10 J-SERIES
DSNR	

UNSPECIFIED TOLERANCES ARE: MATERIAL:

WHOLE DIM (X)	: 3
ONE-PLACE (X.X)	: 1.5
TWO-PLACE (X.XX)	: 0.50
ANGLE	: 1°

THIRD ANGLE PROJECTION

DO NOT SCALE DRAWING

TITLE: LOAD CENTER/ATS ASM

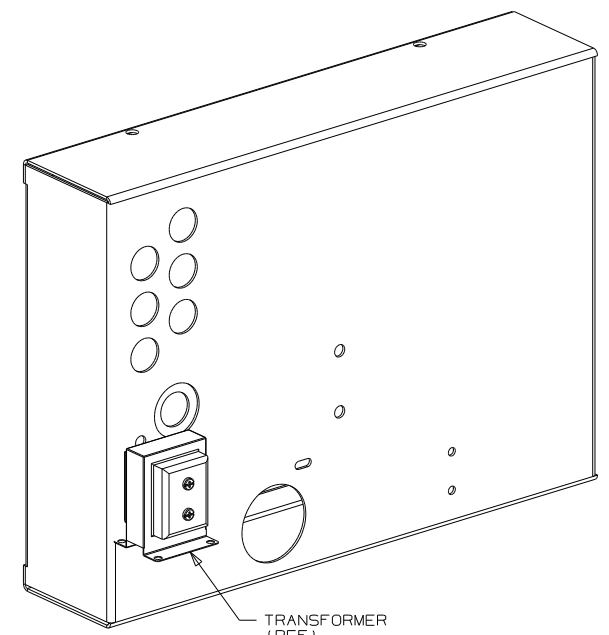
SHEET 1 of 5 PART NO 171004 REV

PART OF WIRE ASM-CHASSIS.
 SEE DETAIL EA.
 NOTES:

FOR ELECTRICAL TORQUE SPECIFICATIONS SEE DWG NO. 128783-01-000

FOR ELECTRICAL CALLOUTS SEE DWG NO. 121339-01-000

	8	7	6	5	4	3	2	1
	J32H	J37F	J35Z	J38N	J35P			
THROW IN WIRE #1	136131-03-145	136131-03-105	136131-03-080	136131-03-075	136131-03-020			
	136134-03-145	136134-03-105	136134-03-080	136134-03-075	136134-03-020			
THROW IN WIRE #2	136131-06-028	136131-12-040	136131-04-025 OR	136131-03-017	-----			
	136134-06-028	136134-12-040	136134-04-025 OR	136134-03-017	-----			
THROW IN WIRE #3	136131-12-057	136131-12-070	136131-12-052 OR	-----	136131-12-057			
	136134-12-057	136134-12-070	136134-12-052 OR	-----	136134-12-057			
THROW IN WIRE #4	136131-13-023	136131-13-028	136131-12-250	136131-12-030	136131-13-028			
	136134-13-023	136134-13-028	136134-12-250	136134-12-030	136134-13-028			
THROW IN WIRE #5	136131-12-140	136131-12-150	136131-12-006	136131-15-010	136131-12-145			
	136134-12-140	136134-12-150	136134-12-006	136134-15-010	136134-12-145			
THROW IN WIRE #6	136131-12-006	136131-12-006	136131-04-006	136131-12-006	136131-12-006			
	136134-12-006	136134-12-006	136134-04-006	136134-12-006	136134-12-006			
THROW IN WIRE #7	136131-04-018	136131-04-006	136131-12-035	136131-12-260	136131-04-018			
	136134-04-018	136134-04-006	136134-12-035	136134-12-260	136134-04-018			
THROW IN WIRE #8	----	136135-10-040	136131-04-070	136131-04-018	136135-10-040			
	----	136136-10-040	136134-04-070	136134-04-018	136136-10-040			
THROW IN FRONT TV	----	----	136131-12-008	----	-----			
	----	----	136134-12-008	----	-----			
SLIDEOUT WIRE #1	136151-03-017	136151-03-017	136151-03-028	136151-03-028	136151-03-017			
SLIDEOUT WIRE #2	136151-06-017	136151-06-017	136151-04-017	136151-06-028	136151-06-017			
SLIDEOUT WIRE #3	136151-12-017	136151-12-017	136151-04-023	136151-12-028	136151-12-017			
SLIDEOUT WIRE #4	136151-13-017	136151-13-017	136151-12-023	136151-15-028	136151-13-017			
SLIDEOUT WIRE #5	136151-04-018	136152-10-019	----	136151-04-017	136152-10-019			
SLIDEOUT WIRE #6	----	136151-04-015	----	136151-03-026	136151-04-018			
SLIDEOUT WIRE #7	----	136151-02-023	----	----	136151-02-023			



DETAIL BA
(LOAD CENTER SHOWN FROM THE BACK SIDE)

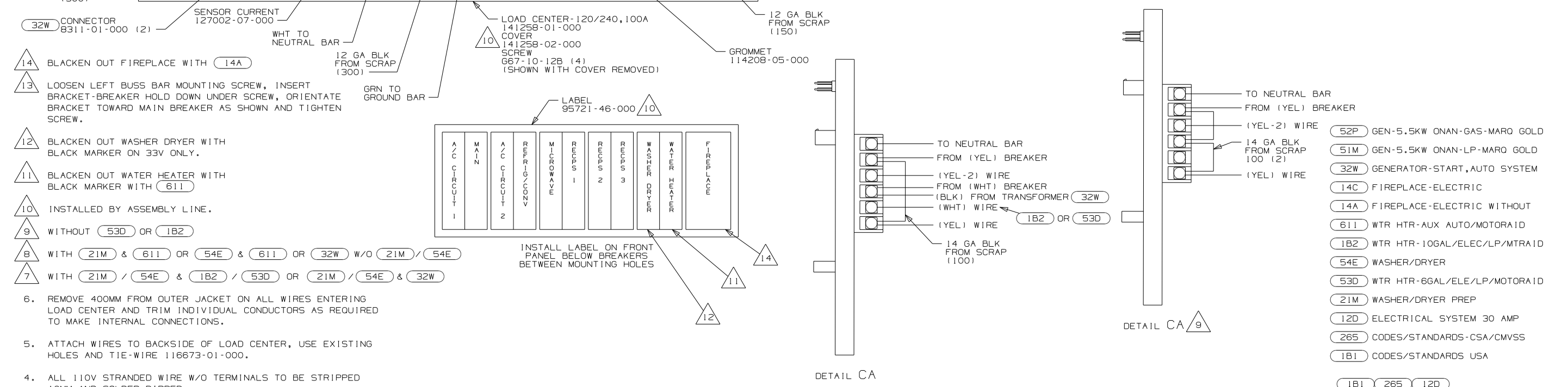
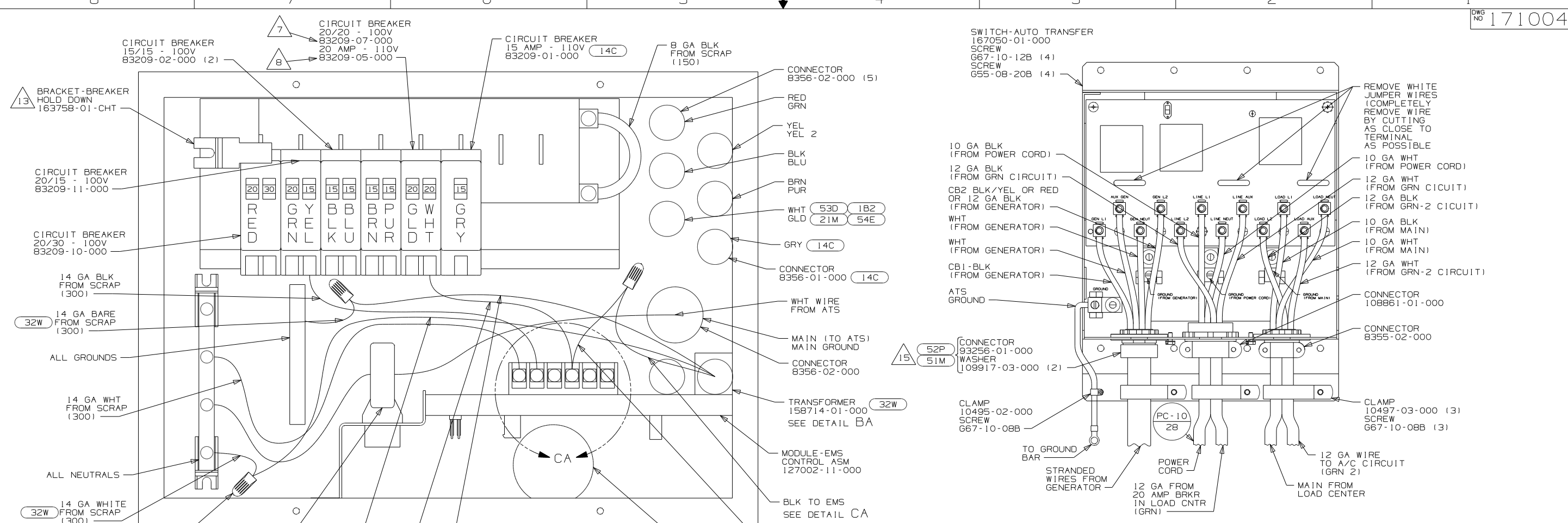
- DINING/BUFFET/TV
- ELECTRICAL SYSTEM-50 AMP
- SLEEP NUMBER BED-KING SIZE
- SLEEP NUMBER BED-QUEEN SIZE
- BED - BUNKS
- INVERTER-DC/AC,600 WATT
- ELECTRICAL SYSTEM 30 AMP
- FIREPLACE-ELECTRIC
- SOFA (BEDROOM)
- SOFA (BEDROOM) ULTRALEATHER
- CODES/STANDARDS-CSA/CMVSS
- CODES/STANDARDS USA

- NOTES:
- SEE DETAIL EG.
 - SEE DETAIL EF.
 - SEE DETAIL EE.
 - SEE DETAIL ED.
 - SEE DETAIL EC.
 - SEE DETAIL EB.
 - SEE DETAIL EA.

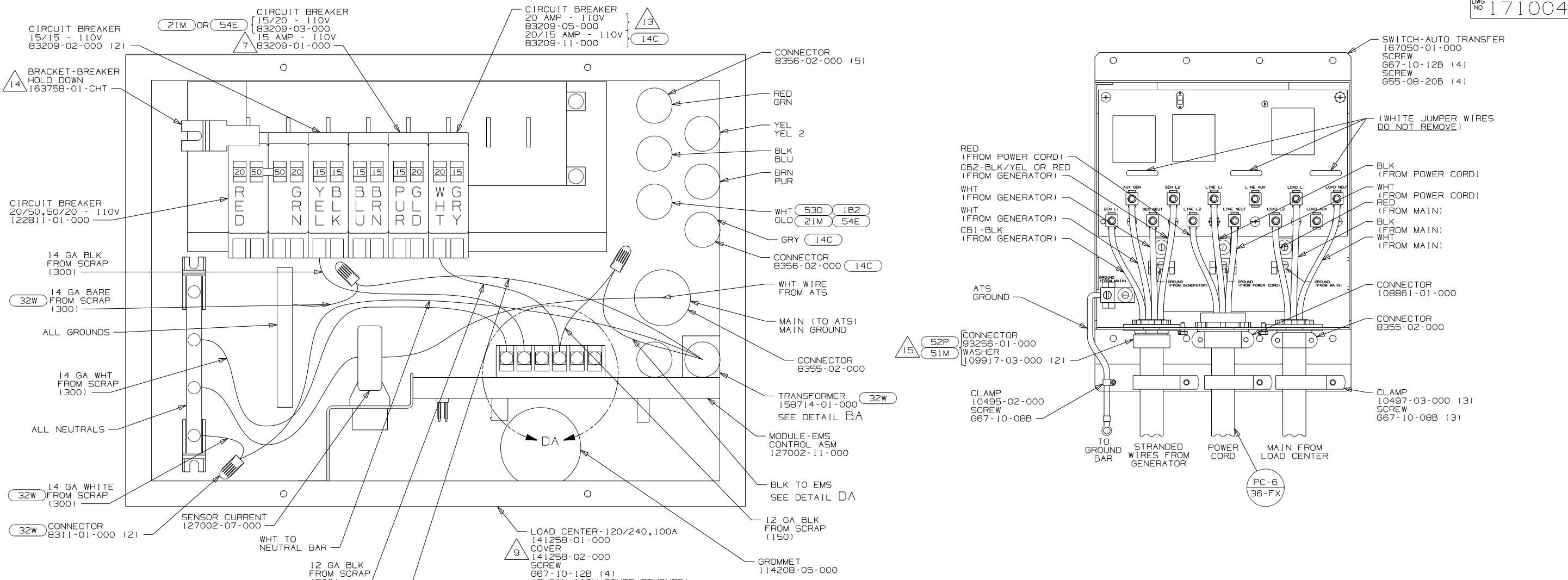
FOR ELECTRICAL TORQUE SPECIFICATIONS SEE DWG NO. 128783-01-000

FOR ELECTRICAL CALLOUTS SEE DWG NO. 121339-01-000

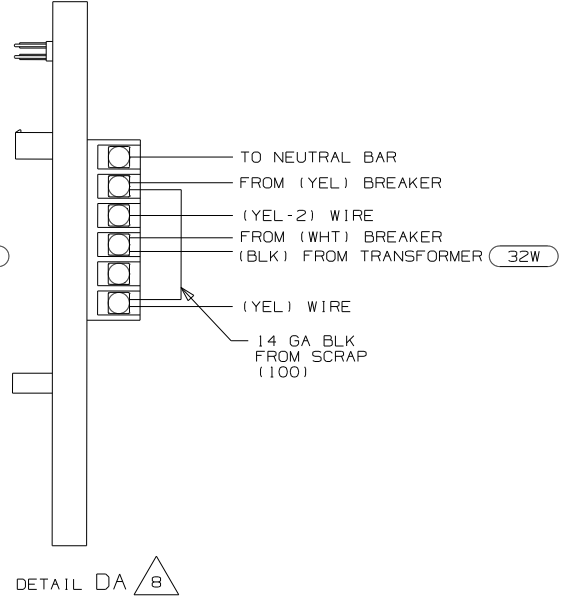
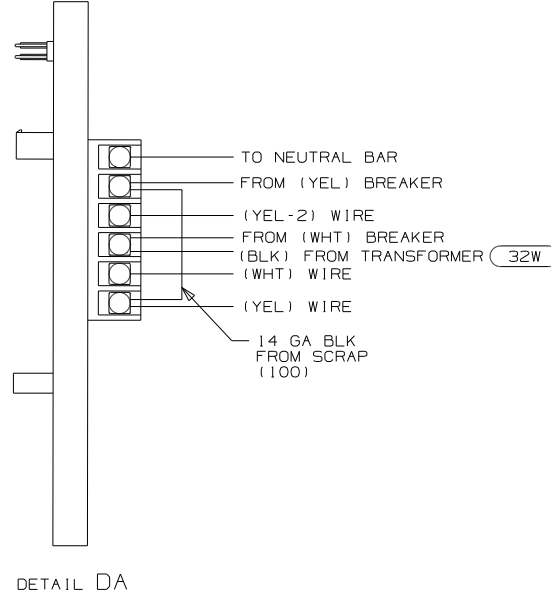
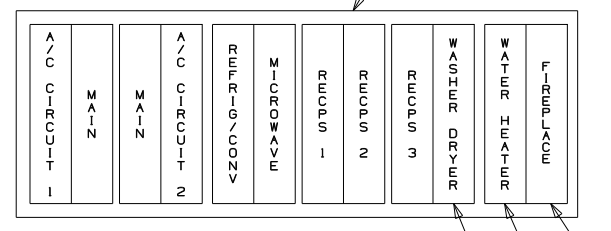
FIRST USED	10 J-SERIES
TITLE	DO NOT SCALE DRAWING
TITLE	LOAD CENTER/ATS ASM
SHEET 2	PART NO 171004 REV



- NOTES:**
1. ALL GROUND WIRES TO BE COVERED WITH TUBING 8041-02-000.
 2. GROUND WIRES ARE NOT SHOWN FOR CLARITY.
 3. ALL WIRES TO BE CLAMPED WITHIN 200MM OF ATS.
 4. ALL 110V STRANDED WIRE W/O TERMINALS TO BE STRIPPED 10MM AND SOLDER DIPPED.
 5. ATTACH WIRES TO BACKSIDE OF LOAD CENTER, USE EXISTING HOLES AND TIE-WIRE 116673-01-000.
 6. REMOVE 400MM FROM OUTER JACKET ON ALL WIRES ENTERING LOAD CENTER AND TRIM INDIVIDUAL CONDUCTORS AS REQUIRED TO MAKE INTERNAL CONNECTIONS.
- INSTALL LABEL ON FRONT PANEL BELOW BREAKERS BETWEEN MOUNTING HOLES**
- | | | | | | | |
|-----|-----|-----|-----|-----|-----|-----|
| 53D | 1B2 | 21M | 54E | 1B1 | 265 | 12D |
|-----|-----|-----|-----|-----|-----|-----|
- 10 J-SERIES**
DO NOT SCALE DRAWING
TITLE: LOAD CENTER/ATS ASM
SHEET 3 PART NO 171004 REV
1 8/24/2009
- FOR ELECTRICAL TORQUE SPECIFICATIONS SEE DWG NO. 128783-01-000
- FOR ELECTRICAL CALLOUTS SEE DWG NO. 121339-01-000



- 13 WITHOUT (14C)
- 12 BLACKEN OUT FIREPLACE WITHOUT (14C)
- 11 BLACKEN OUT WATER HEATER WITH BLACK MARKER WITH (611)
- 10 BLACKEN OUT WASHER DRYER WITH BLACK MARKER ON 33V ONLY.
- 9 INSTALLED BY ASSEMBLY LINE.
- 8 WITHOUT (53D) OR (1B2)
- 7 WITHOUT (21M) OR (54E)



- NOTES:
6. REMOVE 400MM FROM OUTER JACKET ON ALL WIRES ENTERING LOAD CENTER AND TRIM INDIVIDUAL CONDUCTORS AS REQUIRED TO MAKE INTERNAL CONNECTIONS.
 5. ATTACH WIRES TO BACKSIDE OF LOAD CENTER, USE EXISTING HOLES AND TIE-WIRE 116673-01-000.
 4. ALL 110V STRANDED WIRE W/O TERMINALS TO BE STRIPPED 10MM AND SOLDER DIPPED.
 3. ALL WIRES TO BE CLAMPED WITHIN 200MM OF ATS.
 2. GROUND WIRES ARE NOT SHOWN FOR CLARITY.
 1. ALL GROUND WIRES TO BE COVERED WITH TUBING 8041-02-000.

- 15 CONNECTOR IS SUPPLIED ON DIESEL GENERATOR CABLE ASM.
- 14 LOOSEN LEFT BUSS BAR MOUNTING SCREW, INSERT BRACKET-BREAKER HOLD DOWN UNDER SCREW, ORIENTATE BRACKET TOWARD MAIN BREAKER AS SHOWN AND TIGHTEN SCREW.

FOR ELECTRICAL TORQUE SPECIFICATIONS SEE DWG NO. 128783-01-000

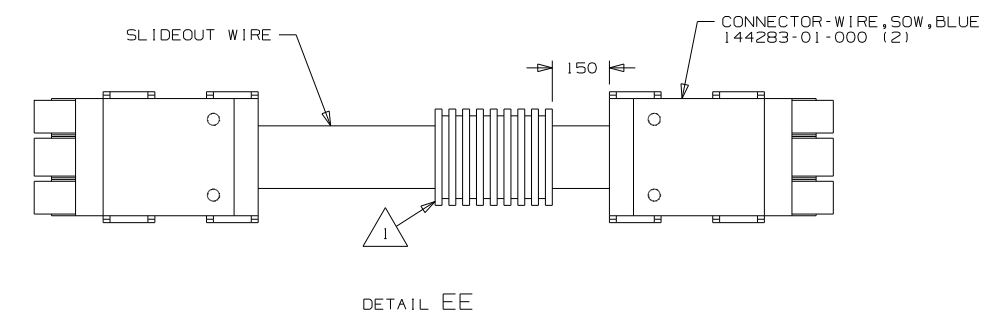
FOR ELECTRICAL CALLOUTS SEE DWG NO. 121339-01-000

- (52P) GEN-5.5KW ONAN-GAS-MARO GOLD
- (51M) GEN-5.5KW ONAN-LP-MARO GOLD
- (32W) GENERATOR-START,AUTO SYSTEM
- (14C) FIREPLACE-ELECTRIC
- (611) WTR HTR-AUX AUTO/MOTORAID
- (53D) WTR HTR-6GAL/ELE/LP/MOTORAID
- (1B2) WTR HTR-10GAL/ELEC/LP/MTRAI D
- (54E) WASHER/DRYER
- (21M) WASHER/DRYER PREP
- (78J) ELECTRICAL SYSTEM-50 AMP
- (265) CODES/STANDARDS-CSA/CMVSS
- (1B1) CODES/STANDARDS USA

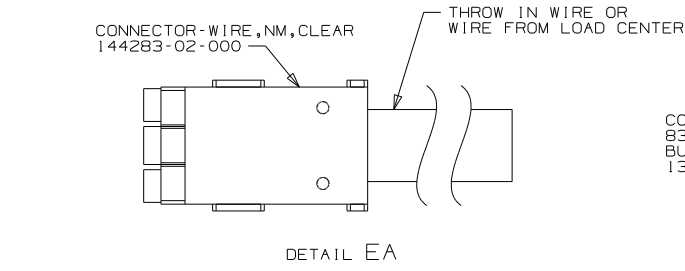
FIRST USED	10 J-SERIES	
DO NOT SCALE DRAWING		
TITLE:	LOAD CENTER/ATS ASM	
SHEET 4	PART NO	171004
REV		

BOX
131679-01-000
COVER
131680-01-000
WIRE ASM-GROUND
133678-01-000
CONNECTOR
8313-01-000 (2)
8311-01-000
SCREW-GROUND, GREEN
(SUPPLIED W/BOX)

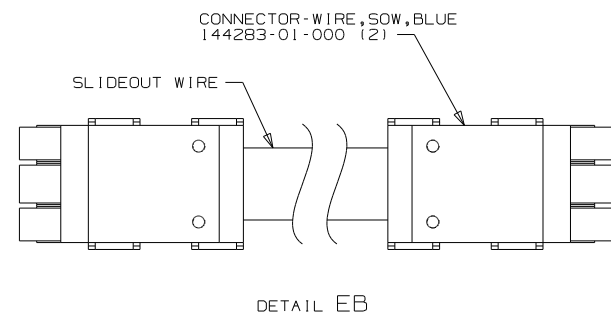
CONNECTOR
8353-01-000
BUSHING-CONDUIT
132054-01-000



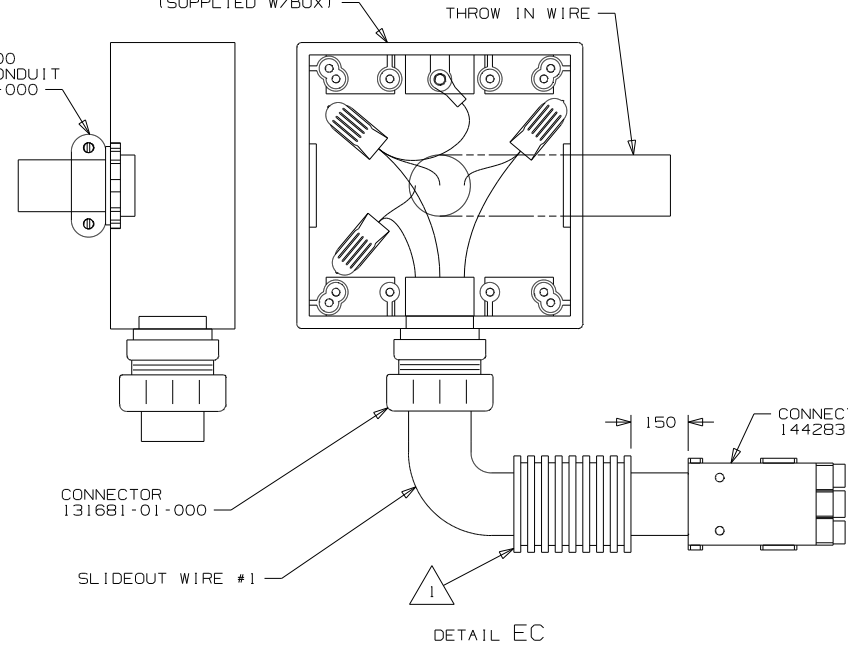
DETAIL EE



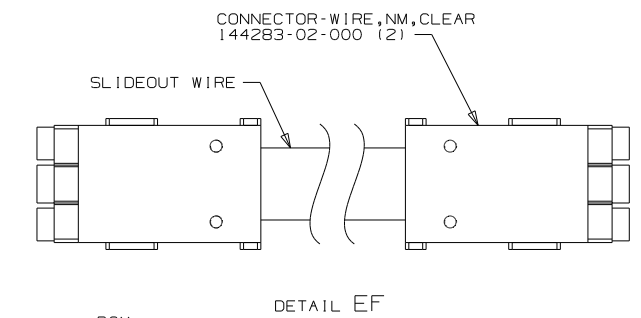
DETAIL EA



DETAIL EB



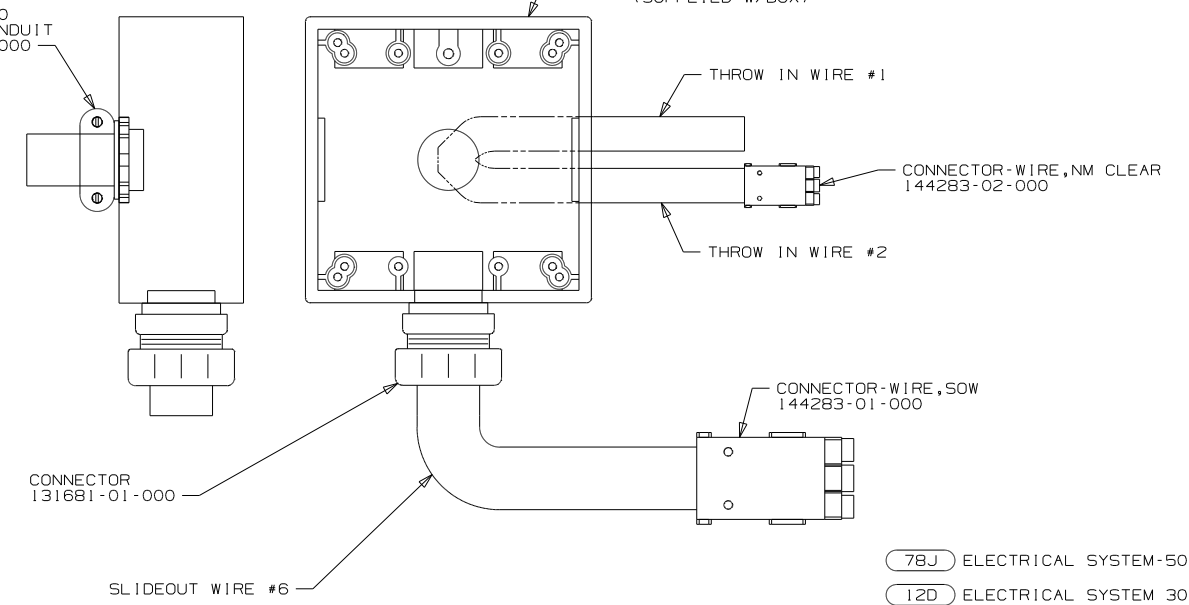
DETAIL EC



DETAIL EF

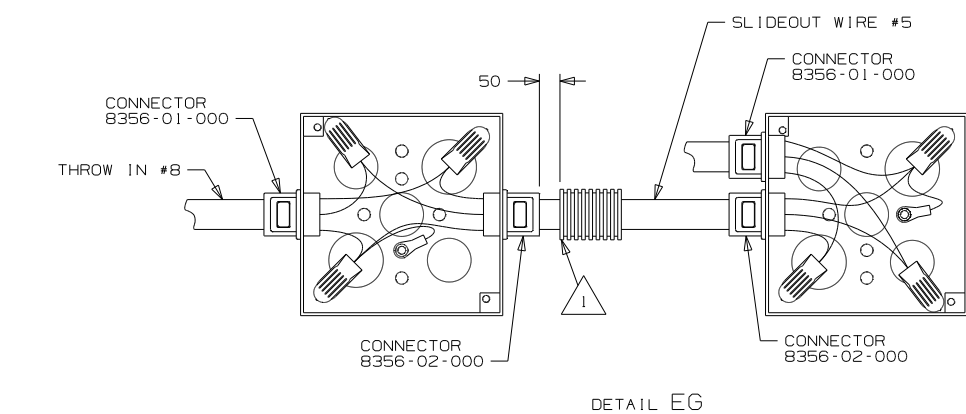
BOX
131679-01-000
COVER
131680-01-000
WIRE ASM-GROUND
133678-01-000
CONNECTOR
8311-01-000 (2)
8314-01-000
SCREW-GROUND, GREEN
(SUPPLIED W/BOX)

CONNECTOR
8353-01-000
BUSHING-CONDUIT
132054-01-000



DETAIL ED

BOX
8289-01-000 (2)
SCREW
611-08-12B (5)
COVER
8294-01-000 (2)
CONNECTOR
8356-01-000 (8)
WIRE ASM-GROUND
133678-01-000 (2)
CONNECTOR
8313-01-000 (6)
SCREW-GROUND GREEN
103291-01-000 (2)



DETAIL EG

2 THE BLACK INDIVIDUAL CONDUCTORS FOR EACH SPECIFIC COLORED CIRCUIT ARE TO BE CONNECTED TOGETHER. THE WHITE INDIVIDUAL CONDUCTORS FOR EACH SPECIFIC COLORED CIRCUIT ARE TO BE CONNECTED TOGETHER. ALL GROUND WIRES ARE TO BE CONNECTED TOGETHER.

1 APPLY 300MM OF CONDUIT-CONVOLUTE 41953-05-000 OVER WIRE AT DIMENSION SHOWN AND SECURE BOTH ENDS OF TUBING TO WIRE WITH TAPE 8363-01-000.

NOTES:

- 78J ELECTRICAL SYSTEM-50 AMP
- 12D ELECTRICAL SYSTEM 30 AMP
- 265 CODES/STANDARDS-CSA/CMVSS
- 1B1 CODES/STANDARDS USA

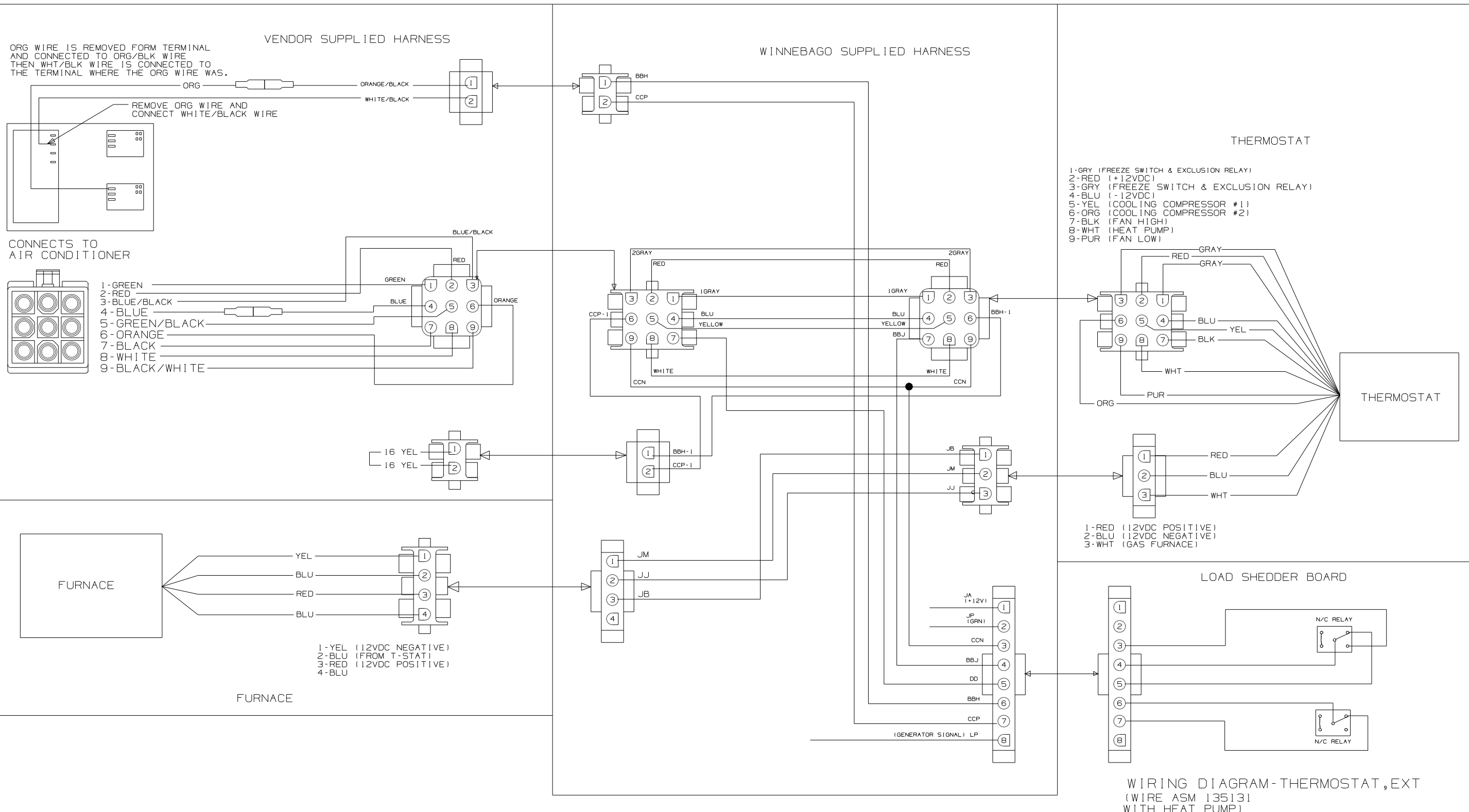
1B1 265 12D 78J

FIRST USED	
10 J-SERIES	
DO NOT SCALE DRAWING	
TITLE: LOAD CENTER/ATS ASM	
SHEET 5	PART NO 171004 REV

FOR ELECTRICAL TORQUE SPECIFICATIONS SEE DWG NO. 128783-01-000

X-X FOR ELECTRICAL CALLOUTS SEE DWG NO. 121339-01-000

WITH HEAT PUMP



NOTES:
 1. RLC FOR 2001 THIS RESET WAS DELETED.

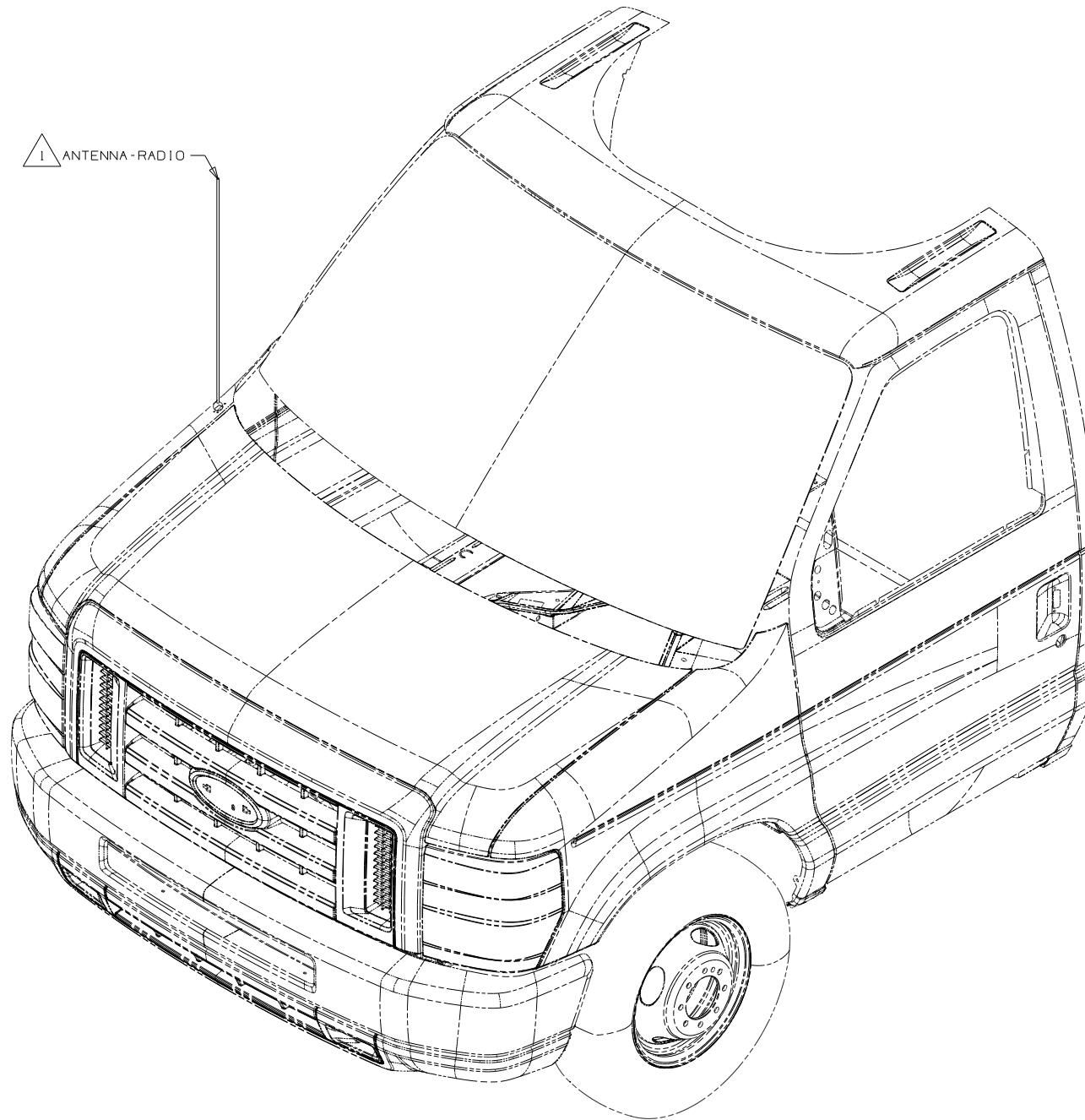
WIRING DIAGRAM-THERMOSTAT,EXT
 (WIRE ASM 135131
 WITH HEAT PUMP)

FIRST USED	03 SERIES
DO NOT SCALE DRAWING	
TITLE:	WIRING DIAGRAM-AC/HEAT/EMS
SHEET 2	PART NO 138913 REV

DRAWING NO.	SHEET	SERIES
169848-01	1,2	200
169848-02	2	300
169848-03	3	500
169848-04	4	700
169848-05	5	D, E, J, K
169848-06	6	M, P, R
169848-07	7	B-VAN
169848-08	8	H

INDICATES COMPONENTS TO BE DETERMINED

RELEASE	REV DATE	DWG NO	169848
REV ZONE	REVISION RECORD	DATE	DFTR-ORIG



265 CODES/STANDARDS-CSA/CMVSS

1B1 CODES/STANDARDS USA

1B1 265

WINNEBAGO COPYRIGHT 2010
WINNEBAGO INDUSTRIES, INC.

DFTR	ORIG. DATE
CHKR	ALL DIMENSIONS ARE IN MILLIMETERS
P.E.	
M.E.	FIRST USED
DSNR	10 MOTORHOMES

UNSPECIFIED TOLERANCES ARE:	MATERIAL:
WHOLE DIM (X) : 3	
ONE-PLACE (X.X) : 1.5	
TWO-PLACE (X.XX) : 0.50	
ANGLE : 1°	

THIRD ANGLE PROJECTION

FOR ELECTRICAL TORQUE SPECIFICATIONS SEE DWG NO. 128783-01-000

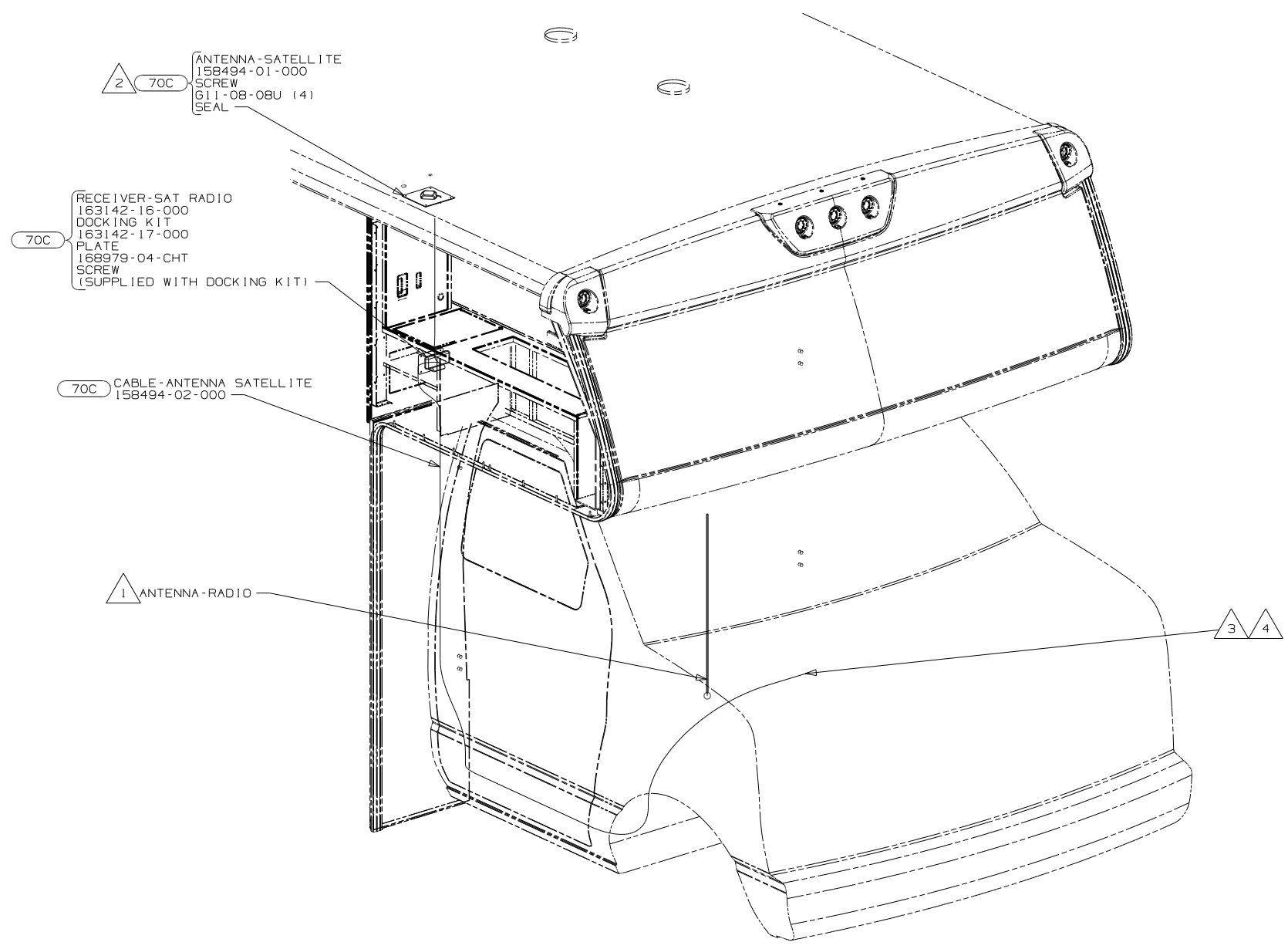
FOR ELECTRICAL CALLOUTS SEE DWG NO. 121339-01-000

DO NOT SCALE DRAWING

TITLE:	ANTENNA INSTL-RADIO AND CB
SHEET 1 of 8	PART NO 169848

NOTES: 1 SUPPLIED WITH CHASSIS. USE SHORTEST SUPPLIED ANTENNA.

REF: 1/22/2010



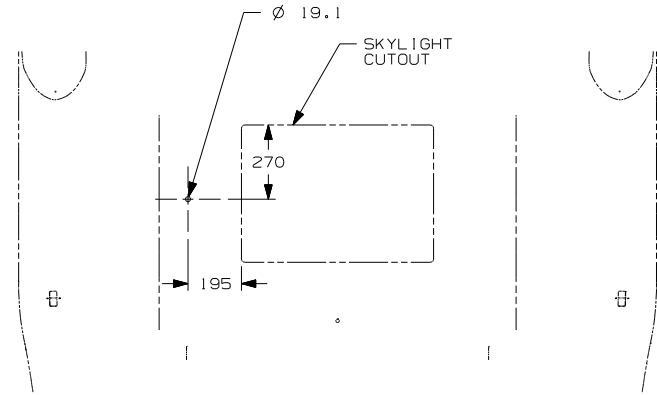
- NOTES:
- 4 ON 200 & 300-SERIES, ROUTE CABLE FROM RADIO TO PASSENGER'S STEPWELL AREA, UP B-POST, INTO WINGWALL, THROUGH SLEEP BOARD ASM, TO ENTERTAINMENT CENTER.
 - 3 RECEIVER CABLE SUPPLIED WITH RECEIVER.
 - 2 MOUNT ANTENNA SUCH THAT BASE IS SQUARE WITH ROOF AND HOLE IS DIRECTLY OVER HOLE IN ROOF. SEAL BOTH THE HOLE IN THE ROOF AND ANTENNA BASE AT SCREWS.
 - 1 SUPPLIED WITH CHASSIS. USE SHORTEST SUPPLIED ANTENNA.

- 70C RADIO - SATELLITE
- 265 CODES/STANDARDS-CSA/CMVSS
- 1B1 CODES/STANDARDS USA

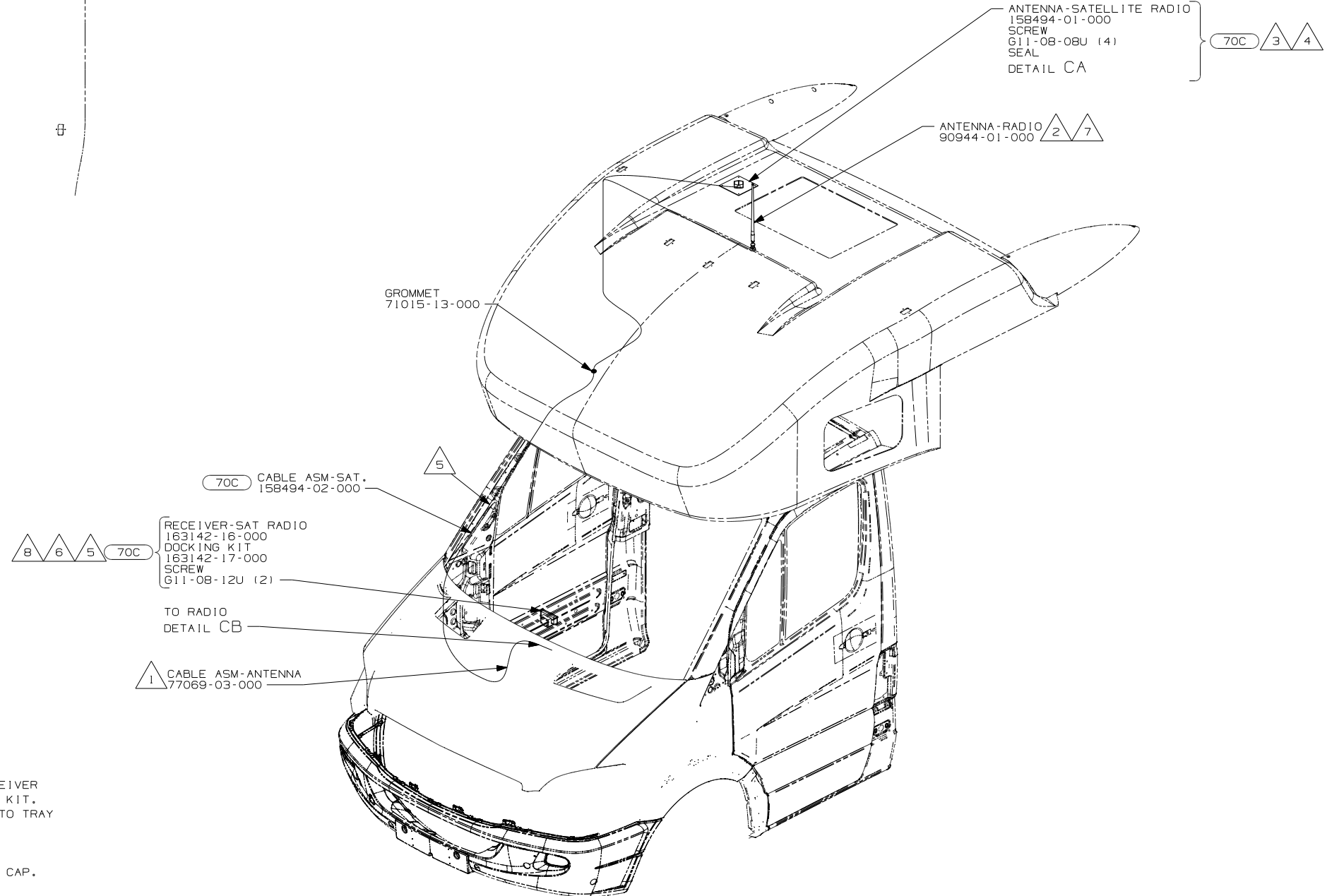
FIRST USED	
10 MOTORHOMES	
DO NOT SCALE DRAWING	
TITLE: ANTENNA INSTL-RADIO AND CB	
SHEET 2	PART NO 169848 REV

FOR ELECTRICAL TORQUE SPECIFICATIONS SEE DWG NO. 128783-01-000

FOR ELECTRICAL CALLOUTS SEE DWG NO. 121339-01-000



DETAIL CA 70C



- 10 SEE RADIO INSTL FOR ADDITIONAL INFORMATION.
- 9 SUPPLIED WITH SATELLITE RADIO RECEIVER.
- 8 CONNECT UNILINK CABLE SUPPLIED WITH SATELLITE RECEIVER BETWEEN DASH RADIO AND SATELLITE RECEIVER DOCKING KIT. ROUTE UNILINK CABLE ALONG WITH RADIO I-POD CABLE TO TRAY ABOVE DASH RADIO.
- 7 CUT AND REMOVE A 75MM X 75MM AREA OF THE ALUMINUM INSULATION, CENTERED ABOUT THE RADIO ANTENNA ROOF CAP.
- 6 MOUNT SAT. RECEIVER DOCKING KIT PEDESTAL MOUNT TO TRAY ABOVE DASH RADIO TOWARDS PASSENGER SIDE.
- 5 ROUTE SATELLITE RADIO ANTENNA CABLE FROM THE DASH UP A-PILLAR TO ROOF CAP.
- 4 SEE WIRING INSTL-CHASSIS FOR ADDITIONAL INFORMATION.
- 3 MOUNT ANTENNA SUCH THAT BASE IS SQUARE W/REAR OF ROOF CAP & CENTER HOLE OF ANTENNA DIRECTLY OVER HOLE IN FIBERGLASS. SEAL HOLE, BASE, AND SCREWS.
- 2 SEAL AROUND ANTENNA BASE.
- 1 ROUTE RADIO ANTENNA CABLE FROM DASH RADIO UNDER DASH UP PASSENGER SIDE A-PILLAR TO ROOF CAP.

NOTES:

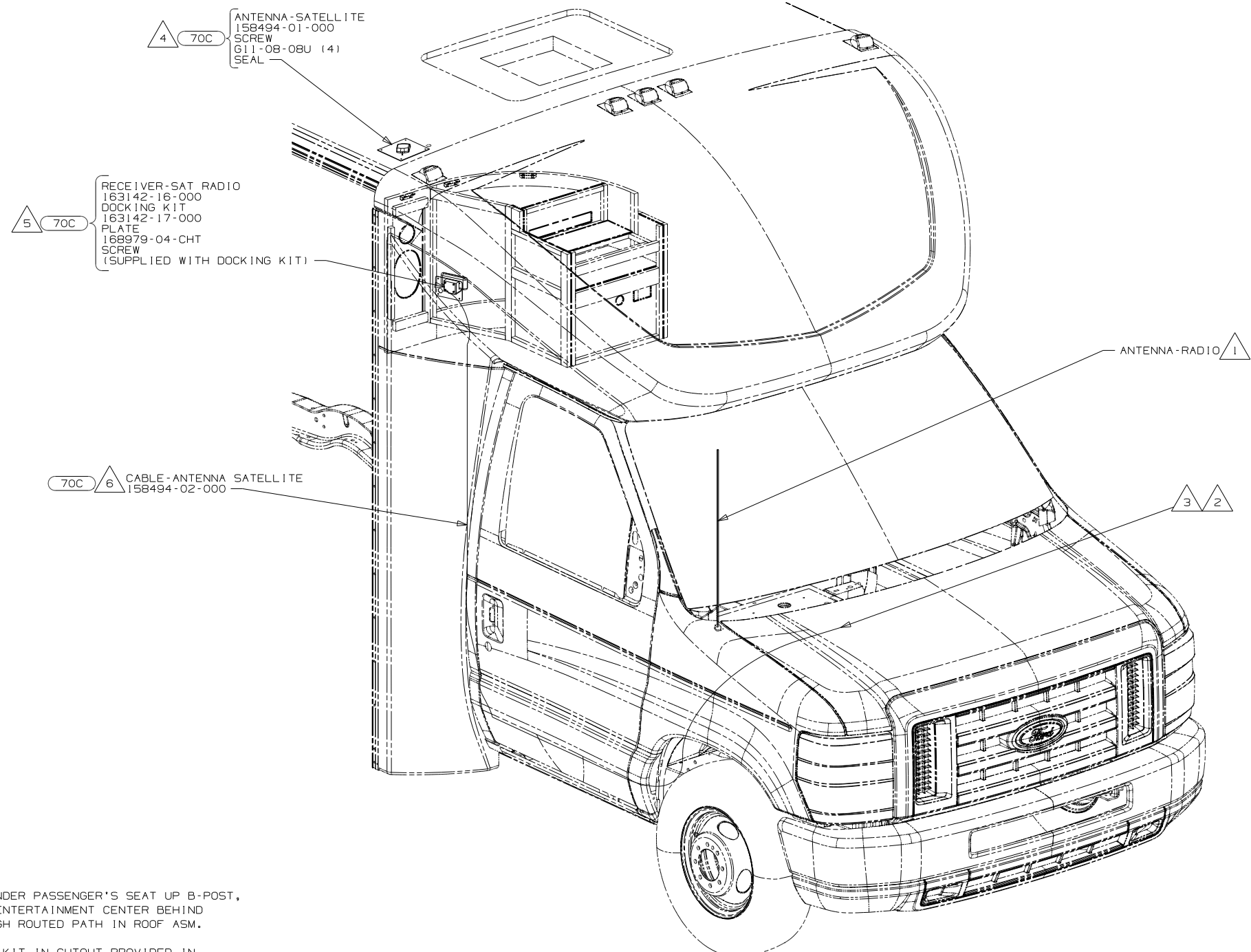
- 70C RADIO - SATELLITE
- 265 CODES/STANDARDS-CSA/CMVSS
- 1B1 CODES/STANDARDS USA

1B1 265

FOR ELECTRICAL TORQUE SPECIFICATIONS SEE DWG NO. 128783-01-000

FOR ELECTRICAL CALLOUTS SEE DWG NO. 121339-01-000

FIRST USED	
10 MOTORHOMES	
DO NOT SCALE DRAWING	
TITLE: ANTENNA INSTL-RADIO AND CB	
SHEET 3	PART NO 169848



- △ 6 ROUTE ANTENNA CABLE FROM UNDER PASSENGER'S SEAT UP B-POST, INTO WINGWALL, UP THROUGH ENTERTAINMENT CENTER BEHIND SPEAKER, ROUTE CABLE THROUGH ROUTED PATH IN ROOF ASM.
- △ 5 MOUNT SAT RECEIVER DOCKING KIT IN CUTOUT PROVIDED IN THE FRONT ENTERTAINMENT CENTER.
- △ 4 MOUNT ANTENNA SUCH THAT BASE IS SQUARE WITH ROOF AND HOLE IS DIRECTLY OVER HOLE IN ROOF. SEAL BOTH THE HOLE IN THE ROOF AND ANTENNA BASE AT SCREWS.
- △ 3 RECEIVER CABLE SUPPLIED WITH RECEIVER.
- △ 2 ROUTE RECEIVER CABLE ALONG WITH CHASSIS HARNESS TO BATTERY BOOST SWITCH, CONTINUE RECEIVER CABLE TO DASH RADIO.
- △ 1 SUPPLIED WITH CHASSIS. USE SHORTEST ANTENNA.

NOTES:

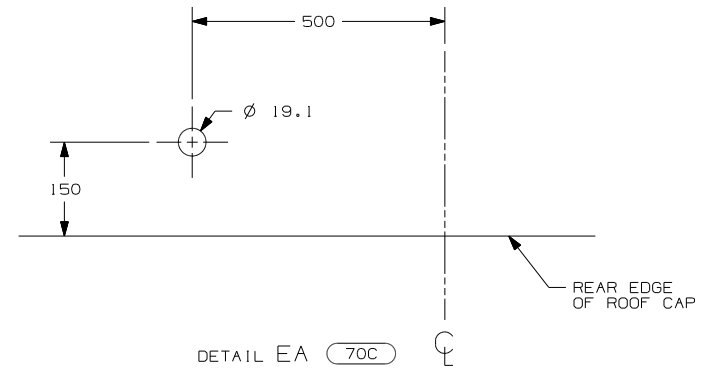
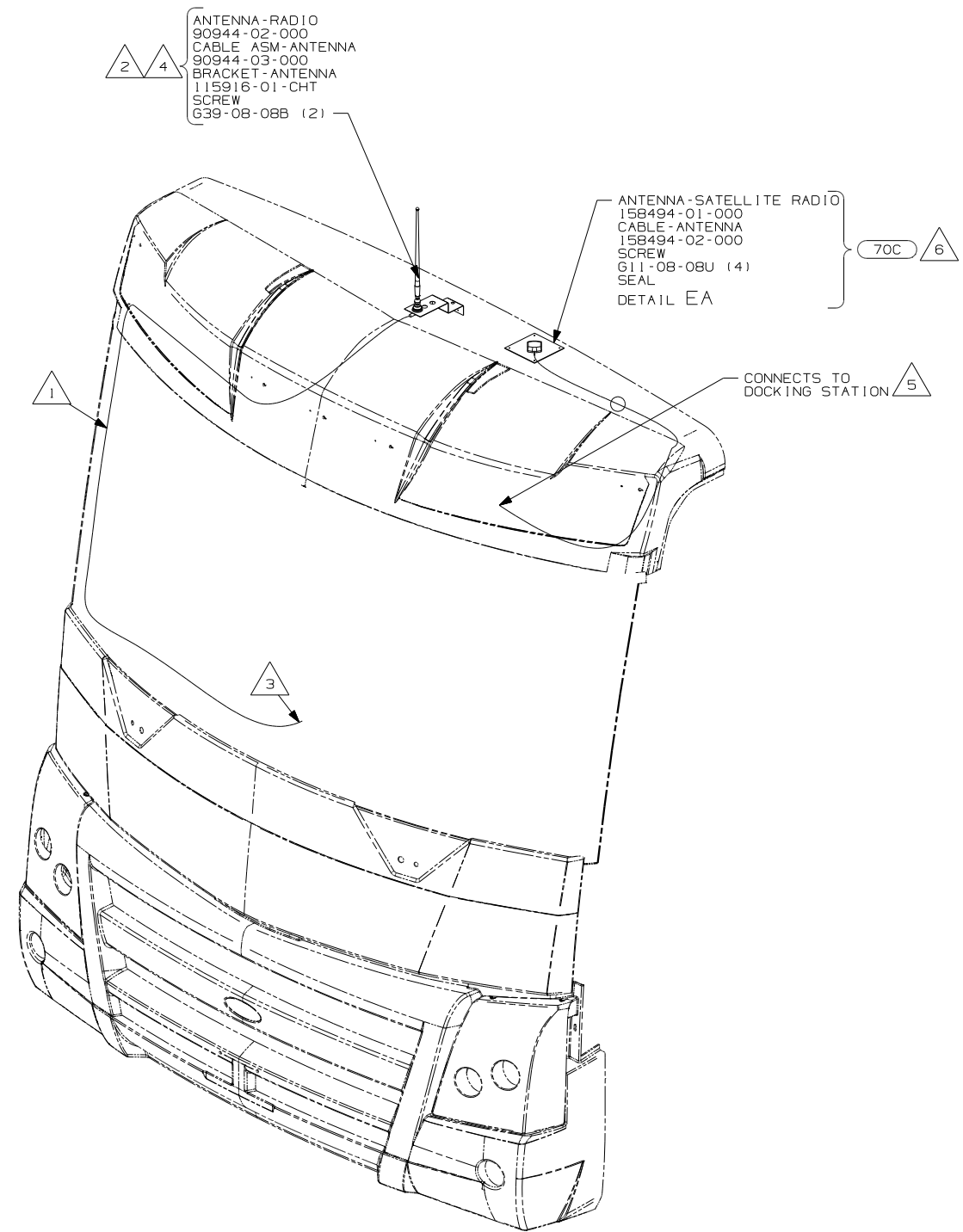
- 70C RADIO - SATELLITE
- 265 CODES/STANDARDS - CSA/CMVSS
- 1B1 CODES/STANDARDS USA

FIRST USED	
10 MOTORHOMES	
DO NOT SCALE DRAWING	
TITLE: ANTENNA INSTL-RADIO AND CB	
SHEET 4	PART NO 169848 REV

FOR ELECTRICAL TORQUE SPECIFICATIONS SEE DWG NO. 128783-01-000

FOR ELECTRICAL CALLOUTS SEE DWG NO. 121339-01-000





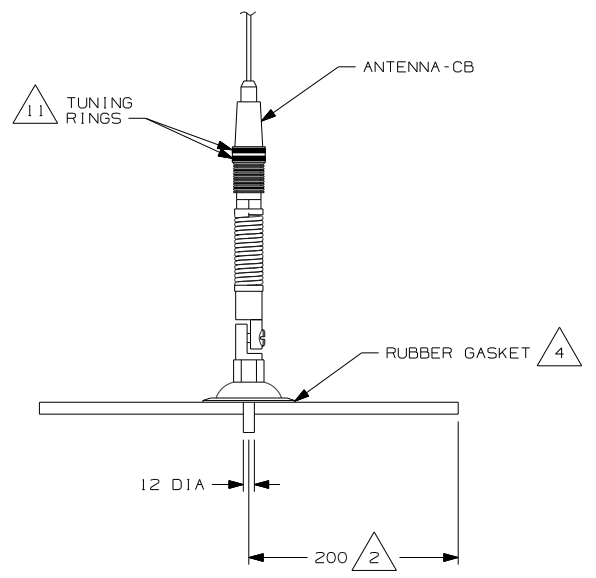
- NOTES:
- 6 MOUNT ANTENNA SUCH THAT BASE IS SQUARE W/REAR OF ROOF CAP & HOLE IS DIRECTLY OVER HOLE IN FIBERGLASS. SEAL HOLE IN ROOF CAP, BASE AT SCREWS.
 - 5 SEE WIRING INSTL-FRONT END FOR ADDITIONAL INFORMATION.
 - 4 USE HOLE IN BRACKET AS GUIDE TO DRILL 13 DIAMETER HOLE IN FIBERGLASS.
 - 3 TO RADIO.
 - 2 SEAL AROUND ANTENNA BASE.
 - 1 ROUTE CABLE ALONG A-POST, UNDER TRIM COVER.

- 70C RADIO - SATELLITE
- 265 CODES/STANDARDS-CSA/CMVSS
- 1B1 CODES/STANDARDS USA

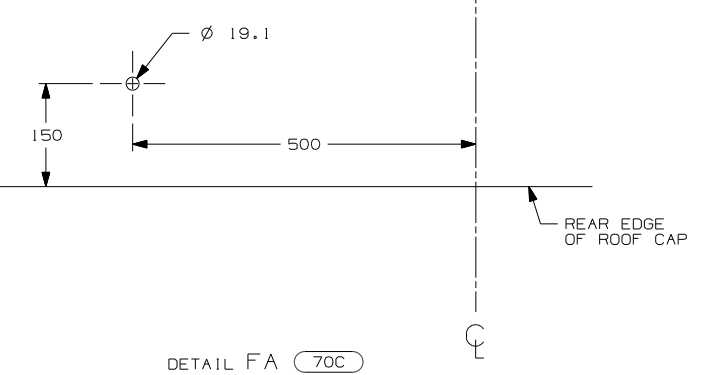
FIRST USED	
10 MOTORHOMES	
DO NOT SCALE DRAWING	
TITLE: ANTENNA INSTL-RADIO AND CB	
SHEET 5	PART NO 169848 REV

FOR ELECTRICAL TORQUE SPECIFICATIONS SEE DWG NO. 128783-01-000

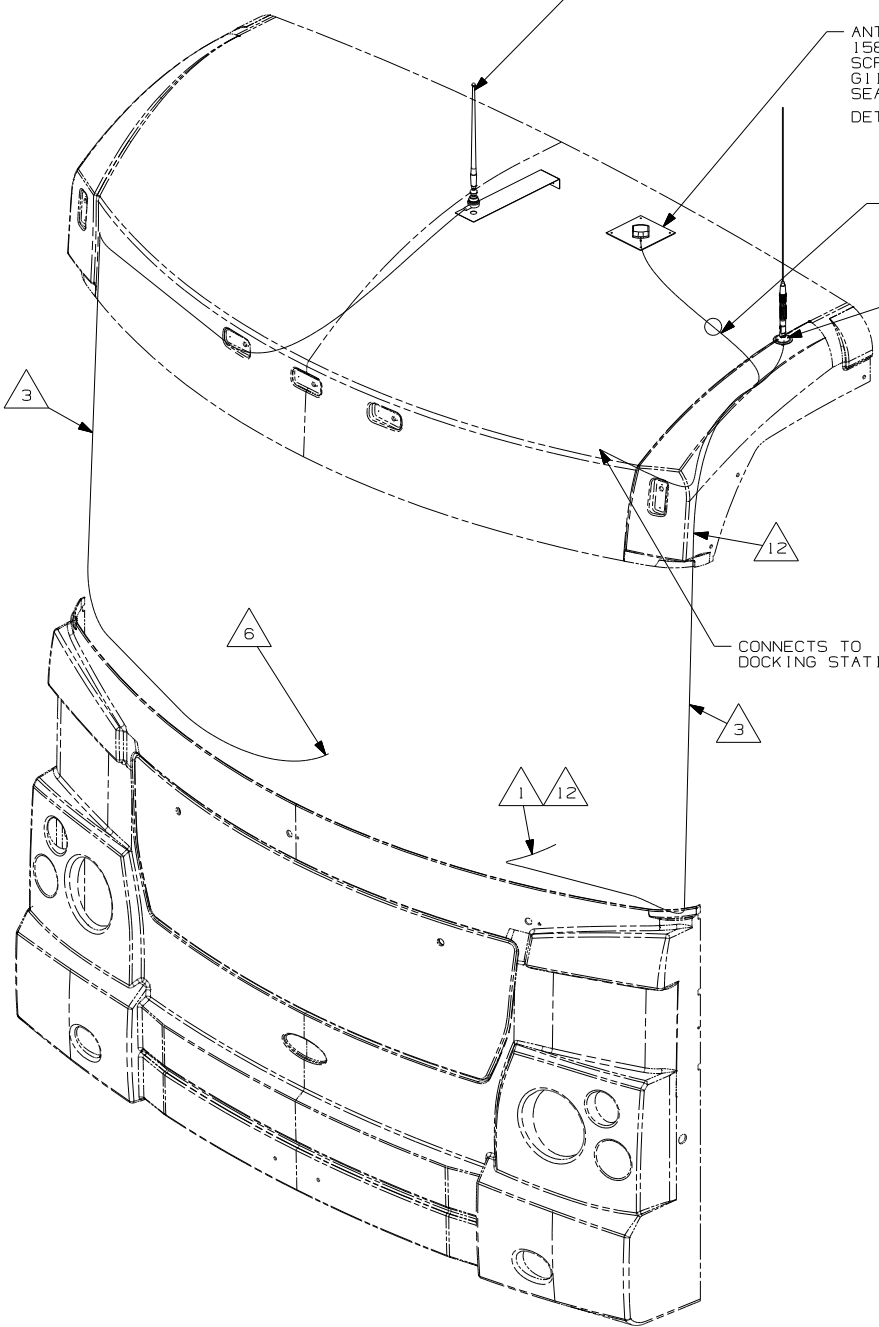
FOR ELECTRICAL CALLOUTS SEE DWG NO. 121339-01-000



VIEW FC-FC (40C)



DETAIL FA (70C)



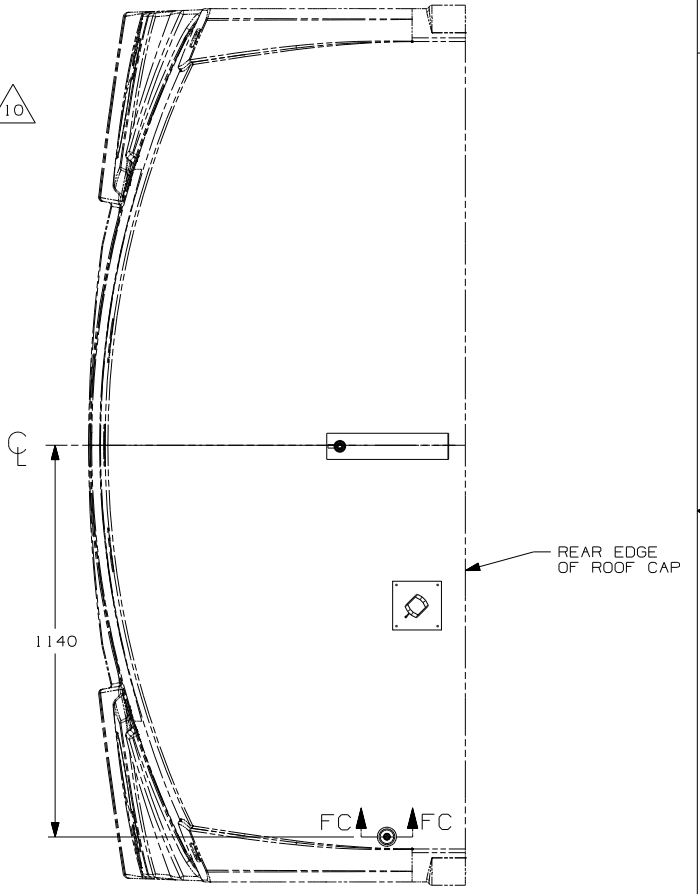
- ANTENNA - RADIO
90944-02-000
- CABLE ASM - ANTENNA
90944-03-000
- BRACKET - ANTENNA
140600-06-CHT
- 140600-08-CHT
- SCREW
G39-08-08B (2)

- ANTENNA - SATELLITE RADIO
158494-01-000
- SCREW
G11-08-08U (4)
- SEAL
DETAIL FA

- CONNECT TO CABLE -
ANTENNA SATELLITE

- ANTENNA - CB
123256-01-000
- CABLE - CB COAX
123256-02-000

- CONNECTS TO
DOCKING STATION



VIEW FB (40C)

- 12 PROVIDE A 1000 MM DROP OF CB ANTENNA CABLE FROM THE TOP OF THE A-PILLAR TO CONNECT TO THE ANTENNA AND PLACE THE EXCESS CABLE IN THE CB PREP BAG LOCATED UNDER THE DASH.
- 11 TUNING RINGS ARE TO BE BOTH ADJUSTED TO THE TOP OF THEIR TRAVEL AND TIGHTENED AGAINST EACH OTHER.
- 10 TIGHTEN JOINTS BETWEEN ANTENNA BASE AND ANTENNA PIVOT AND ALSO THE MAST AND ANTENNA PLATE.
- 9 MOUNT ANTENNA SUCH THAT BASE IS SQUARE W/REAR OF ROOF CAP & HOLE IS DIRECTLY OVER HOLE IN FIBERGLASS. SEAL HOLE IN ROOF CAP, BASE AT SCREWS.
- 8 SEE WIRING INSTL-FRONT END FOR ADDITIONAL INFORMATION.
- 7 USE HOLE IN BRACKET AS GUIDE TO DRILL 13 DIAMETER HOLE IN FIBERGLASS.
- 6 TO RADIO.
- 5 ATTACH ANTENNA-CB GROUND WIRE TO CAB FRAME, USE SCREW G39-08-08B.
- 4 SEAL AROUND ANTENNA BASE.
- 3 ROUTE CABLE ALONG A-POST, UNDER TRIM COVER.
- 2 MEASURED FROM REAR EDGE OF FIBERGLASS CAP.
- 1 SEE WIRING INSTL-FRONT END FOR LOCATION OF COAX END AND LABEL.

- 14 P40U, P40T, P40L, & R-SERIES
- 13 P34Y, P39N

NOTES:

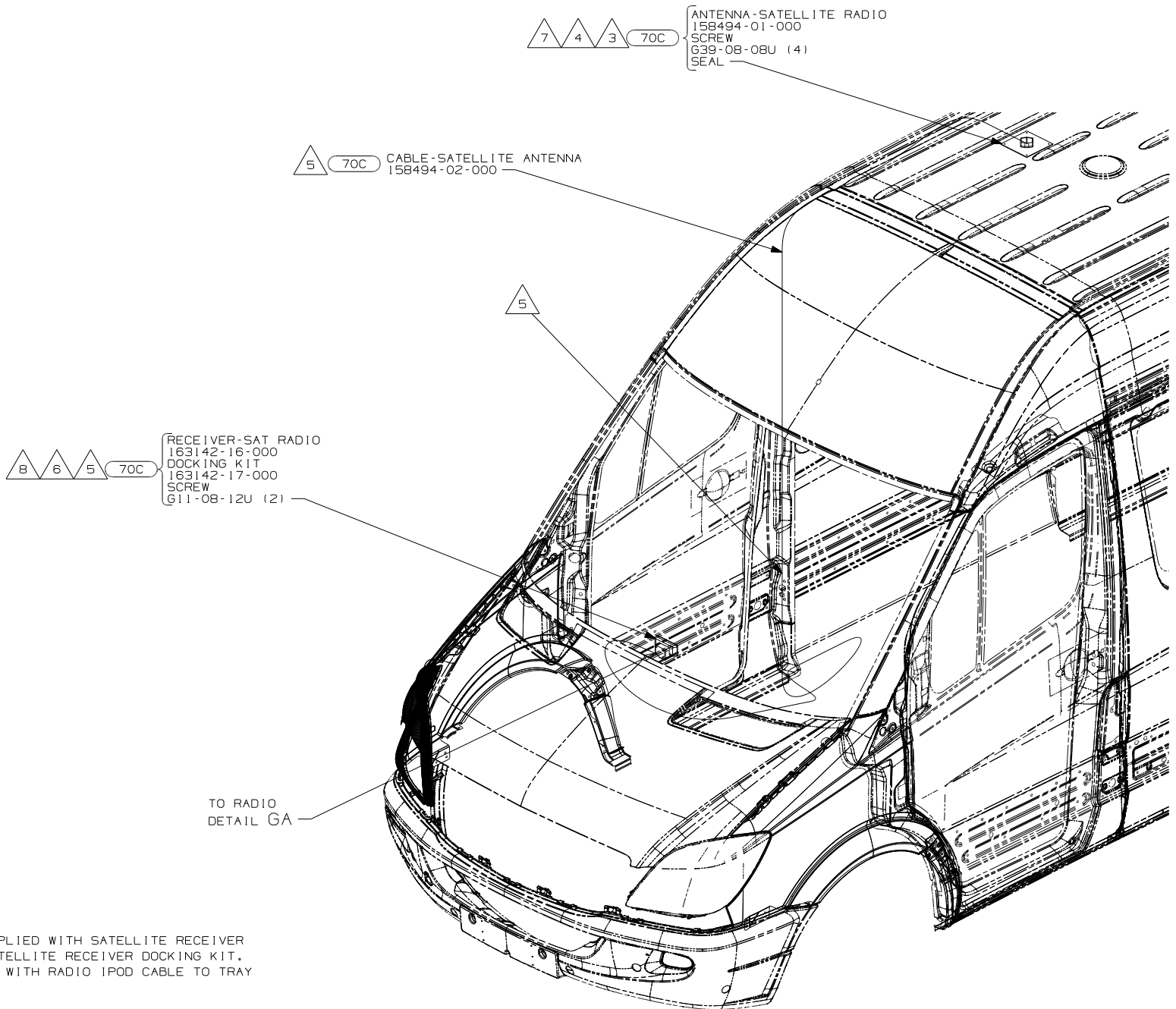
- (70C) RADIO - SATELLITE
- (40C) RADIO - CB
- (265) CODES/STANDARDS - CSA/CMVSS
- (1B1) CODES/STANDARDS USA

(1B1) (265)

FOR ELECTRICAL TORQUE SPECIFICATIONS SEE DWG NO. 128783-01-000

FOR ELECTRICAL CALLOUTS SEE DWG NO. 121339-01-000

FIRST USED	
10 MOTORHOMES	
DO NOT SCALE DRAWING	
TITLE: ANTENNA INSTL-RADIO AND CB	
SHEET 6	PART NO 169848



- 8 CONNECT UNLINK CABLE SUPPLIED WITH SATELLITE RECEIVER BETWEEN DASH RADIO AND SATELLITE RECEIVER DOCKING KIT. ROUTE UNLINK CABLE ALONG WITH RADIO IPOD CABLE TO TRAY ABOVE DASH RADIO.
- 7 SEE CHASSIS-MODIFIED FOR HOLE LOCATION.
- 6 MOUNT SATELLITE RECEIVER DOCKING KIT PEDESTAL MOUNT TO TRAY ABOVE DASH RADIO TOWARDS PASSENGER SIDE.
- 5 ROUTE SATELLITE RADIO ANTENNA CABLE FROM DOCKING KIT MOUNTED IN TRAY ABOVE DASH RADIO DOWN DASH TO WIRE CHANNEL IN CAB FLOOR. ROUTE ANTENNA CABLE TO PASSENGER SIDE SEAT PEDESTAL THEN UP B-PILLAR TO THE ROOF.
- 4 SEE WIRING INSTL-CHASSIS FOR ADDITIONAL INFORMATION.
- 3 MOUNT ANTENNA SUCH THAT BASE IS SQUARE WITH ROOF & CENTER HOLE OF ANTENNA DIRECTLY OVER HOLE IN ROOF. SEAL HOLE, BASE, AND SCREWS.
- 2 SUPPLIED WITH SATELLITE RADIO RECEIVER.
- 1 SEE RADIO INSTL FOR ADDITIONAL INFORMATION.

NOTES:

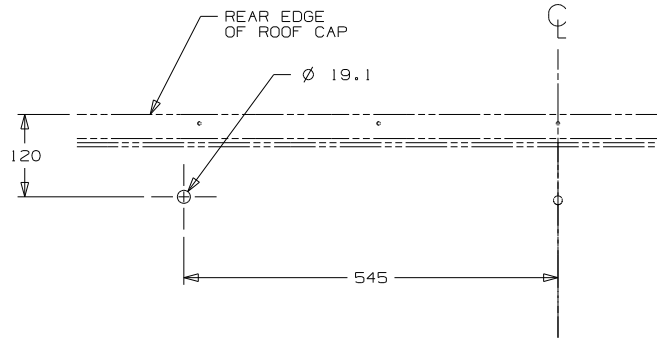
- 70C RADIO - SATELLITE
- 265 CODES/STANDARDS-CSA/CMVSS
- 1B1 CODES/STANDARDS USA

FIRST USED	
10 MOTORHOMES	
DO NOT SCALE DRAWING	
TITLE: ANTENNA INSTL-RADIO AND CB	
SHEET 7	PART NO 169848 REV

FOR ELECTRICAL TORQUE SPECIFICATIONS SEE DWG NO. 128783-01-000

FOR ELECTRICAL CALLOUTS SEE DWG NO. 121339-01-000





DETAIL HA 70C

ANTENNA-SATELLITE RADIO
158494-01-000
SCREW
G11-08-08U (4)
SEAL
DETAIL HA

ANTENNA-RADIO
90944-01-000

70C CABLE ASM-SAT
158494-02-000

RECEIVER-SAT RADIO
163142-16-000
DOCKING KIT
163142-17-000
SCREW
(SUPPLIED WITH DOCKING KIT)

TO RADIO
DETAIL CB

CABLE ASM-ANTENNA
(REF)

- 11 CABLE IS INTEGRATED INTO WIRE ASM-IP,MAIN.
- 10 SEE RADIO INSTL FOR ADDITIONAL INFORMATION.
- 9 SUPPLIED WITH SATELLITE RADIO RECEIVER.
- 8 CONNECT UNILINK CABLE SUPPLIED WITH SATELLITE RECEIVER BETWEEN DASH RADIO AND SATELLITE RECEIVER DOCKING KIT. ROUTE UNILINK CABLE ALONG WITH RADIO I-POD CABLE TO TRAY ABOVE DASH RADIO.
- 7 CUT AND REMOVE A 75MM X 75MM AREA OF THE ALUMINUM INSULATION, CENTERED ABOUT THE RADIO ANTENNA ROOF CAP.
- 6 MOUNT SAT. RECEIVER DOCKING KIT PEDESTAL MOUNT TO TRAY ABOVE DASH RADIO TOWARDS PASSENGER SIDE.
- 5 ROUTE SATELLITE RADIO ANTENNA CABLE FROM THE DASH UP A-PILLAR TO ROOF CAP.
- 4 SEE WIRING INSTL-CHASSIS FOR ADDITIONAL INFORMATION.
- 3 MOUNT ANTENNA SUCH THAT BASE IS SQUARE W/REAR OF ROOF CAP & CENTER HOLE OF ANTENNA DIRECTLY OVER HOLE IN FIBERGLASS. SEAL HOLE, BASE, AND SCREWS.
- 2 SEAL AROUND ANTENNA BASE.
- 1 ROUTE RADIO ANTENNA CABLE FROM DASH RADIO UNDER DASH UP PASSENGER SIDE A-PILLAR TO ROOF CAP.

NOTES:

- 70C RADIO - SATELLITE
- 265 CODES/STANDARDS-CSA/CMVSS
- 1B1 CODES/STANDARDS USA

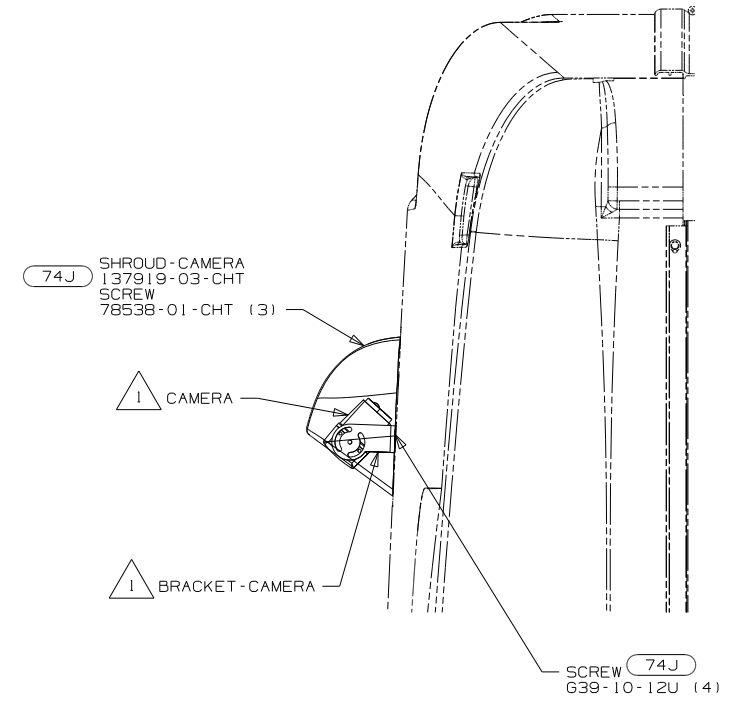
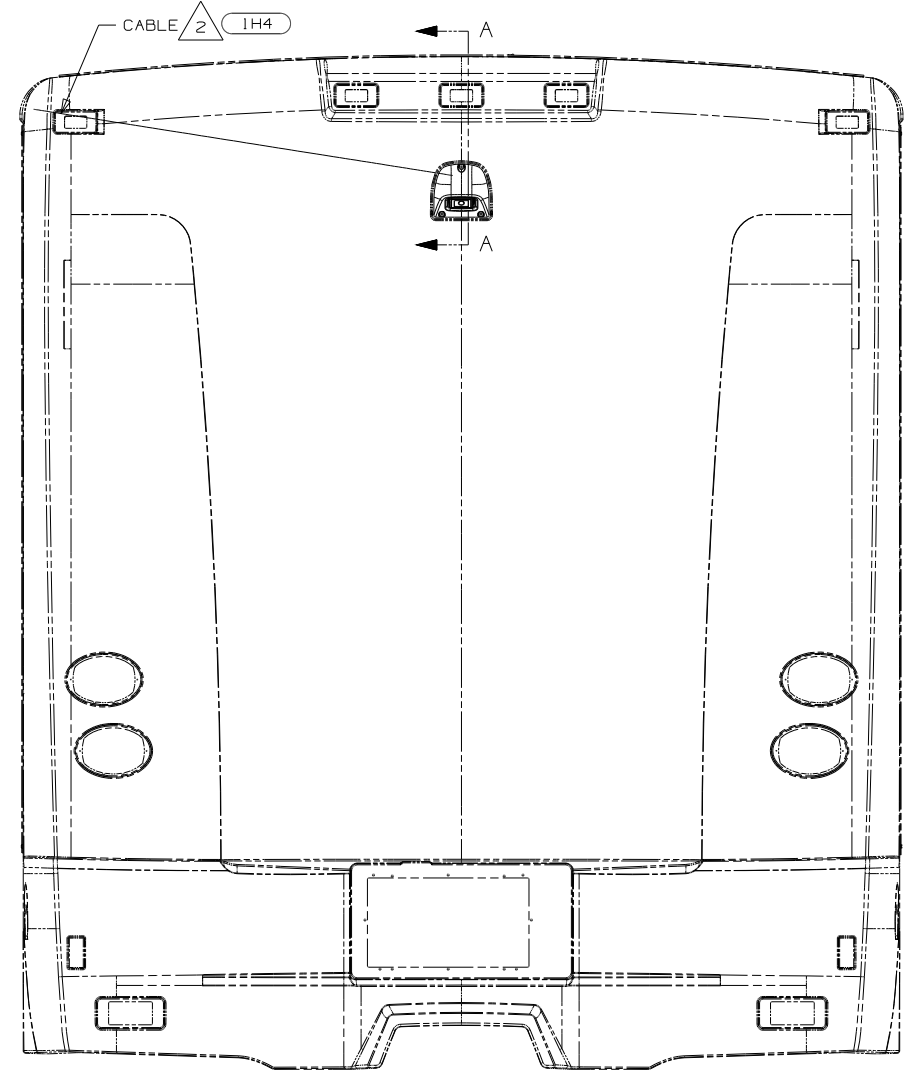
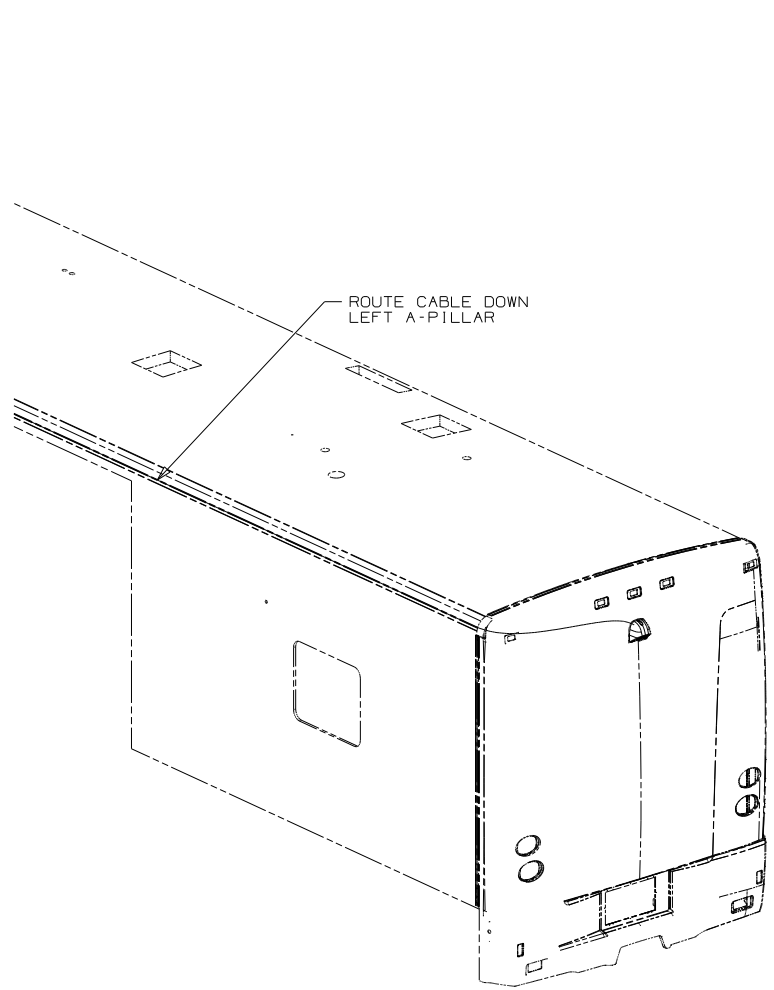
1B1 265

FIRST USED	
10 MOTORHOMES	
DO NOT SCALE DRAWING	
TITLE: ANTENNA INSTL-RADIO AND CB	
SHEET 8	PART NO 169848 REV

FOR ELECTRICAL
TORQUE
SPECIFICATIONS
SEE DWG NO.
128783-01-000

FOR
ELECTRICAL
CALLOUTS
SEE DWG NO.
121339-01-000

H-SERIES



SECTION A-A

- (74J) REARVIEW MONITOR SYSTEM
- (IH4) REARVIEW MONITOR-WIRE PREP
- (IA5) REARVIEW MONITOR SYSTEM W/O
- (265) CODES/STANDARDS-CSA/CMVSS
- (1B1) CODES/STANDARDS USA

(1B1) (265)

WINNEBAGO COPYRIGHT 2010 WINNEBAGO INDUSTRIES, INC.

DFTR	ORIG. DATE
CHKR	ALL DIMENSIONS ARE IN MILLIMETERS
P.E.	
M.E.	FIRST USED
DSNR	10 J-SERIES

UNSPECIFIED TOLERANCES ARE:	MATERIAL:
WHOLE DIM (X) : 3	
ONE-PLACE (X.X) : 1.5	
TWO-PLACE (X.XX) : 0.50	
ANGLE : 1°	

THIRD ANGLE PROJECTION

DO NOT SCALE DRAWING

TITLE: MONITOR INSTL

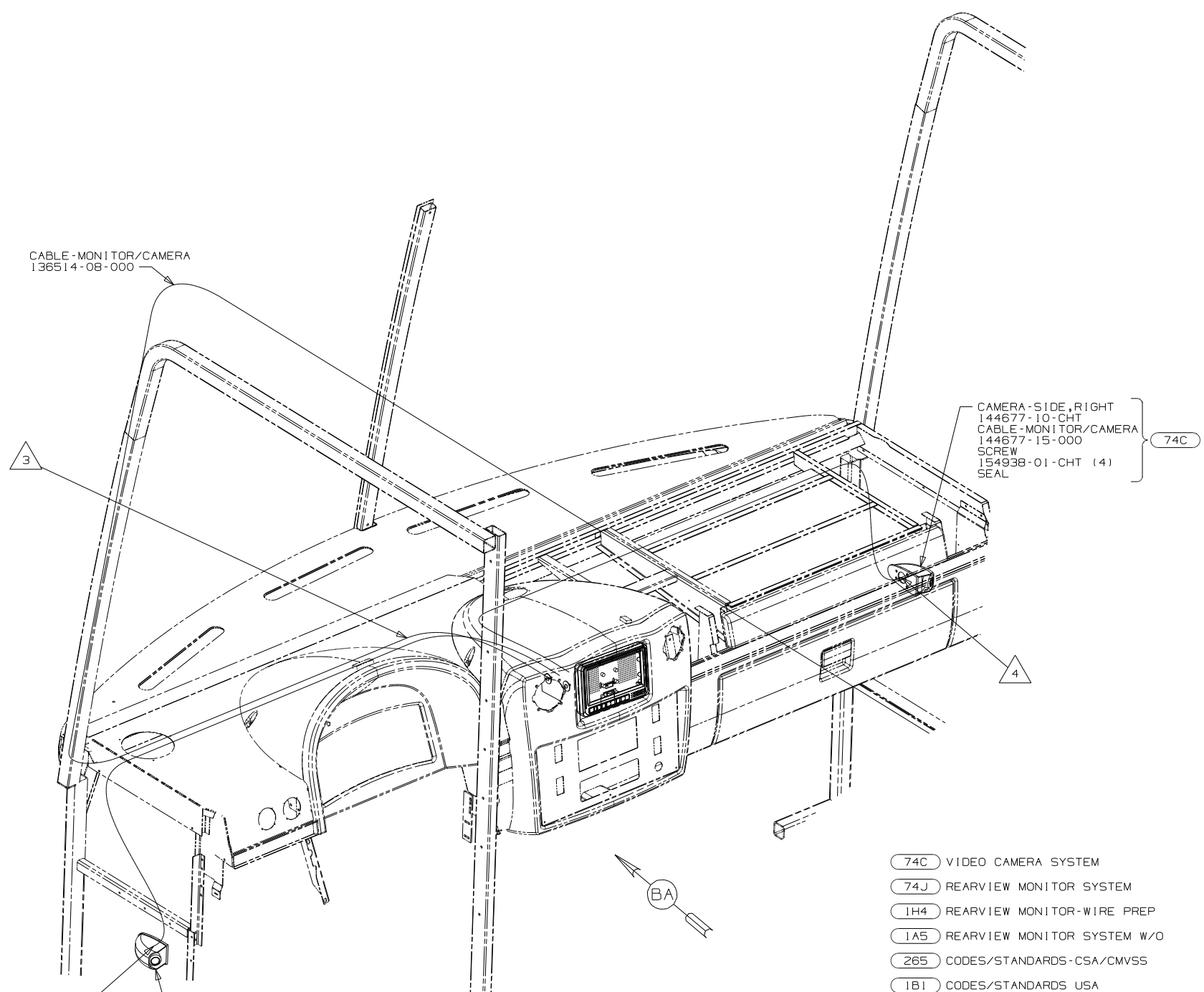
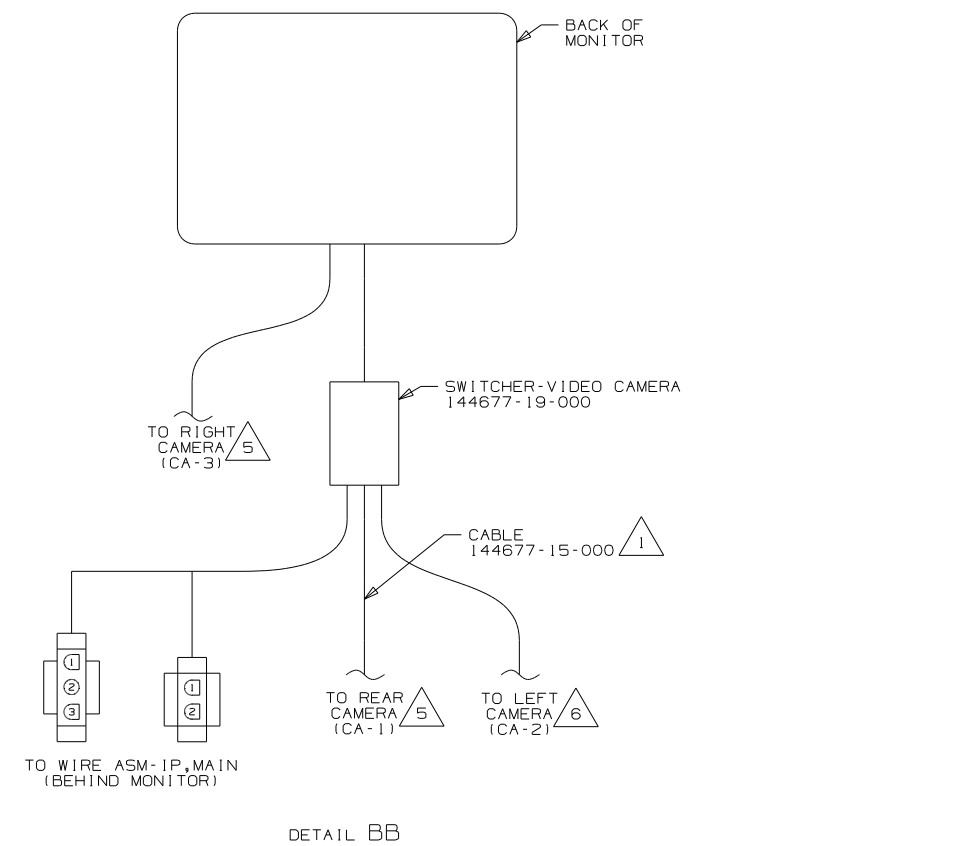
SHEET 1 of 2 PART NO 169857 REV

REF: 1 1/5/2010

- NOTES:
- 3 END STANDARD CABLE IN THIS AREA ON UNITS WITHOUT MONITOR (IA5) (IH4)
 - 2 RUN CABLE THRU LEFT-HAND COVE TO REAR OF UNIT. STANDARD ON ALL UNITS WITH (IA5) (IH4) (74J)
 - 1 PARTS SUPPLIED WITH CAMERA KIT P/N 144677-14-CHT (74J)

FOR ELECTRICAL TORQUE SPECIFICATIONS SEE DWG NO. 128783-01-000

FOR ELECTRICAL CALLOUTS SEE DWG NO. 121339-01-000



- NOTES:
- 6 MARK LEFT CABLE WITH YELLOW TAPE 900000-07-000 NEXT TO CONNECTOR.
 - 5 MARK RIGHT CABLE WITH WHITE TAPE 900000-08-000 NEXT TO CONNECTOR.
 - 4 CONNECT CAMERA THRU HOLE IN SIDEWALL, PUSH CONNECTOR BACK THRU SIDEWALL, AND SEAL HOLE.
 - 3 END CABLE IN THIS AREA ON UNITS W/O MONITOR. 1A5 1H4
 - 2 USE SUPPLIED SCREWS TO MOUNT MONITOR TO ADAPTER.
 - 1 ROUTE UP A-POST & MAKE CONNECTION BEHIND OVHD CABT.

- 74C VIDEO CAMERA SYSTEM
- 74J REARVIEW MONITOR SYSTEM
- 1H4 REARVIEW MONITOR-WIRE PREP
- 1A5 REARVIEW MONITOR SYSTEM W/O
- 265 CODES/STANDARDS-CSA/CMVSS
- 1B1 CODES/STANDARDS USA

FOR ELECTRICAL TORQUE SPECIFICATIONS SEE DWG NO. 128783-01-000

FOR ELECTRICAL CALLOUTS SEE DWG NO. 121339-01-000

FIRST USED	
10 J-SERIES	
DO NOT SCALE DRAWING	
TITLE: MONITOR INSTL	
SHEET 2	PART NO 169857 REV

DRAWING NO.	FEATURES	SHEETS
169929-01	(1PS) (1PV)	1, 2, 4
169929-02	(16L) (16Z)	1, 3, 4
169929-03	(1PS) (1PV)	1, 2, 5
169929-04	(16L) (16Z)	1, 3, 5

△
2
△
2

RELEASE	REV DATE	DWG NO
A		169929
REV ZONE	REVISION RECORD	DATE
		DFTR-ORIG

		J32H	J35Z	J37F	J38N	J35P	J33S	J38S
CABLE ASM-CHASSIS GND EXT (BLK)	(16Z) (16L)	133566-12-031	133566-12-019	133566-12-043	133566-12-047	133566-12-031	133566-12-019	133566-12-047
CABLE ASM-CHASSIS POWER EXT (RED)	(16Z) (16L)	141415-32-033	141415-32-020	141415-32-045	141415-32-049	141415-32-033	141415-32-020	141415-32-049
CABLE ASM-CHASSIS BATTERY DISCONNECT SUPPLY (RED)	(16Z) (16L)	141415-32-011	141415-32-010	141415-32-011	141415-32-010	141415-32-011	141415-32-010	141415-32-010
CABLE ASM-STARTER (RED)	(1PS) (1PV)	141415-35-038	141415-35-026	141415-35-050	141415-35-054	141415-35-038	141415-35-026	141415-35-054
CABLE ASM-COACH BATTERY (YEL)		141416-52-012	141416-52-008	141416-52-012	141416-52-008	141416-52-012	141416-52-008	141416-52-008
CABLE ASM-COACH BATTERY GND (BLK)		133567-12-006	133567-12-006	133567-12-006	133567-12-006	133567-12-006	133567-12-006	133567-12-006
CABLE ASM-CHASSIS BATTERY DISCONNECT RETURN (PUR)		141415-12-012	141415-12-006	141415-12-012	141415-12-006	141415-12-012	141415-12-006	141415-12-006
CABLE ASM-GENERATOR (GRN)	(321) (52P)	141415-42-065	141415-42-085	141415-42-075	141415-42-066	141415-42-075	141415-42-081	141415-42-066
WIRE ASM-INVERTER	(40D)	154845-01-012	154845-01-020	154845-01-012	154845-01-018	154845-01-012	N/A	N/A
LEVELING SYSTEM POWER CABLE (BLU)	(60M)	141415-22-049	141415-22-037	141415-22-061	141415-22-070	141415-22-049	141415-22-037	141415-22-070
LEVELING SYSTEM GND CABLE (BLK)	(60M)	133566-11-008	133566-11-008	133566-11-008	N/A	133566-11-008	133566-11-008	N/A
CHASSIS SUPPLIED POSITIVE CABLE CHASSIS BATTERY DISCONNECT SUPPLY (RED)	(1PS) (1PV)	1100	900	1100	900	1100	900	900

△
1

△
3

- (52P) GEN-5.5KW ONAN-GAS-MARO GOLD
- (321) GENERATOR PREP KIT
- (60M) HYDRAULIC LEVEL JACKS-AUTO
- (40D) INVERTER-DC/AC,600 WATT
- (1PV) WORKHORSE 24,000#-22.5 TIRE
- (1PS) WORKHORSE 22,000#-22.5 TIRE
- (16Z) FORD 24,000#-22.5 ALUM WHEEL
- (16L) FORD 22,000#-22.5 AL WHL
- (265) CODES/STANDARDS-CSA/CMVSS
- (1B1) CODES/STANDARDS USA

(1B1) (265)	
WINNEBAGO	COPYRIGHT 2010 WINNEBAGO INDUSTRIES, INC.
DFTR	ORIG. DATE
CHKR	ALL DIMENSIONS ARE IN MILLIMETERS
P.E.	
M.E.	FIRST USED
DSNR	10 J-SERIES
UNSPECIFIED TOLERANCES ARE:	MATERIAL:
HOLE DIM (X) : 3	
ONE-PLACE (X.X) : 1.5	
TWO-PLACE (X.XX) : 0.50	
ANGLE : 1°	
THIRD ANGLE PROJECTION	
DO NOT SCALE DRAWING	
TITLE: BATTERY INSTL	
SHEET 1 of 5	PART NO 169929
REF :	1 4/20/2010

△
3 LOCATE CHASSIS SUPPLIED POSITIVE CABLE. REDUCE LENGTH TO DIMENSIONS IN COLUMN AND ADD TERMINAL 68070-01-000 TO THE CUT END 1800MM CHASSIS SUPPLIED LENGTH.

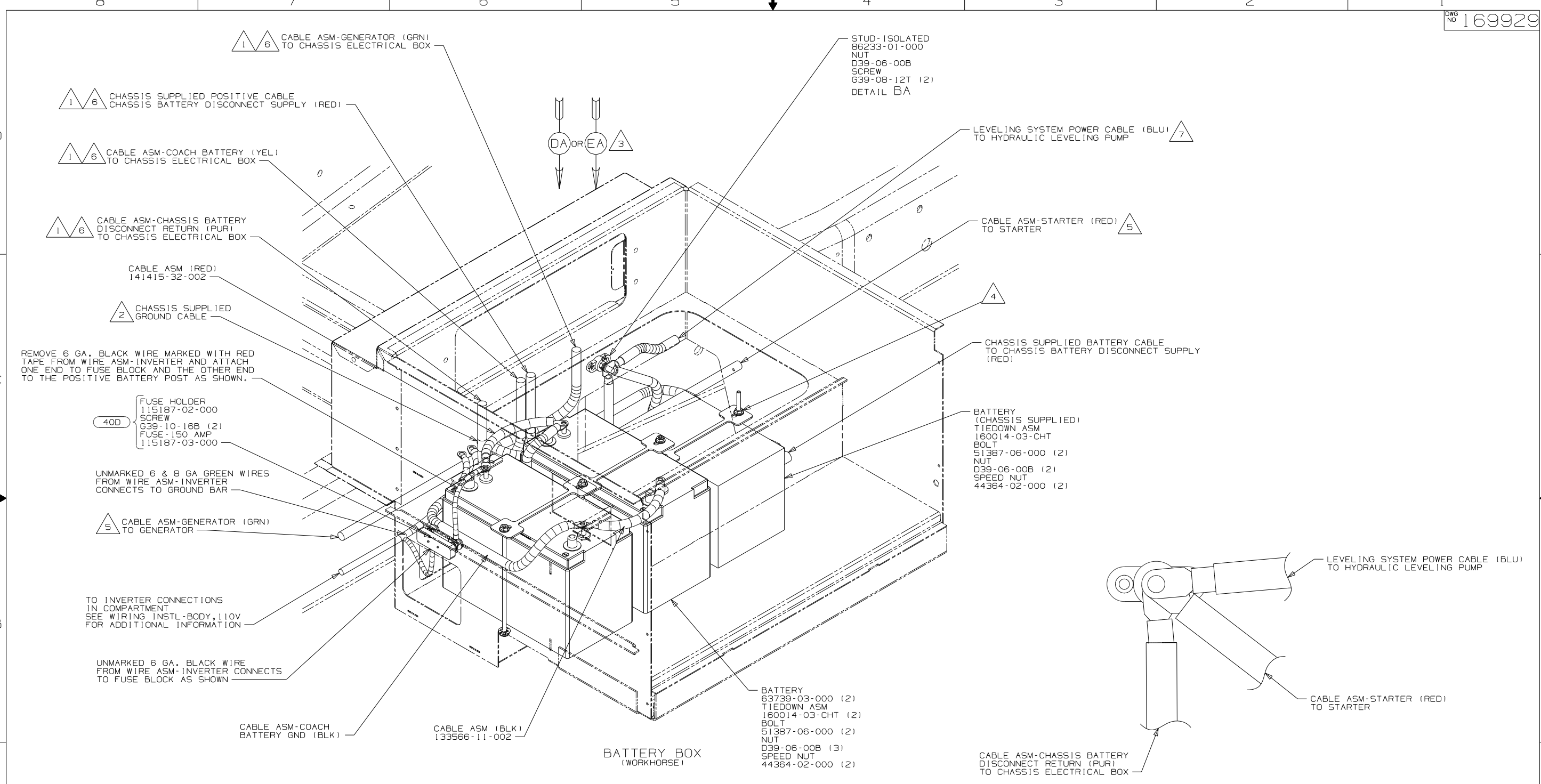
△
2 USED ON J32H, J35P, & J37F.

△
1 BATTERY CABLES MUST BE INSTALLED TO STARTER MOTOR BEFORE ENGINE WIRING HARNESS AND ROUTED IN SUCH A MANNER AS TO PREVENT ANY POSSIBLE DEGRADATION FROM THE EXHAUST SYSTEM.

NOTES:

FOR ELECTRICAL
TORQUE
SPECIFICATIONS
SEE DWG NO.
128783-01-000

(X-X)
FOR
ELECTRICAL
CALLOUTS
SEE DWG NO.
121339-01-000



- 7 SEE LEVELING SYSTEM INSTL FOR ADDITIONAL INFORMATION.
- 6 SEE CHASSIS ELECTRICAL BOX ASM FOR ADDITIONAL INFORMATION.
- 5 SEE WIRING INSTL-CHASSIS FOR ADDITIONAL INFORMATION.
- 4 USE TWO NUTS HERE TO ACCOUNT FOR BATTERY HEIGHT DIFFERENCE.
- 3 USED ON J32H, J35P, & J37F.
- 2 LOCATE CHASSIS SUPPLIED CABLE REDUCE CABLE TO 700MM AND ADD TERMINAL 8348-01-000 TO THE CUT END.
- 1 CABLE WILL BE ROUTED TO THE RIGHT SIDE OF STEP BOX ON THE F32H. SEE SHT.5

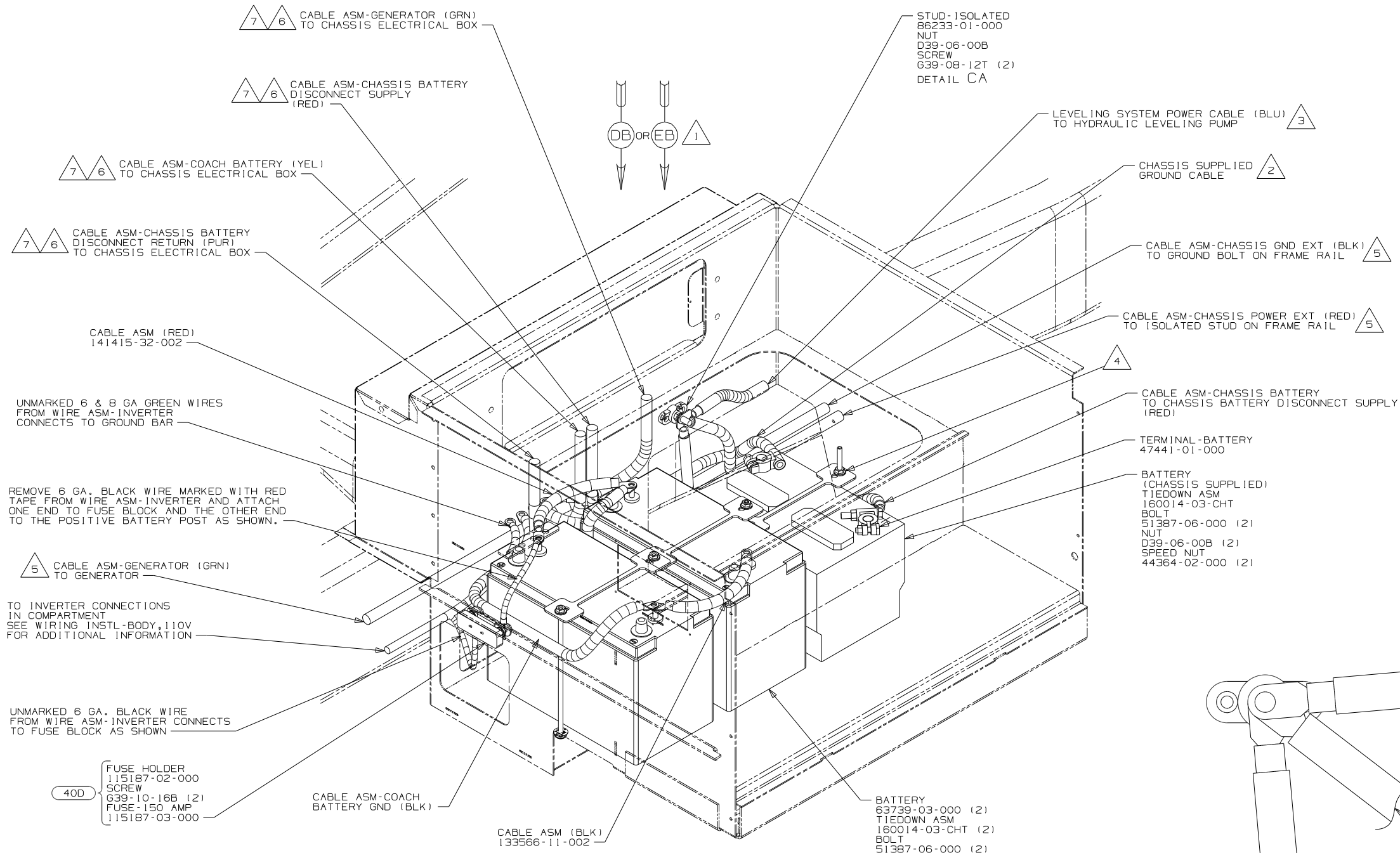
NOTES:

- 40D INVERTER-DC/AC,600 WATT
- 265 CODES/STANDARDS-CSA/CMVSS
- 1B1 CODES/STANDARDS USA

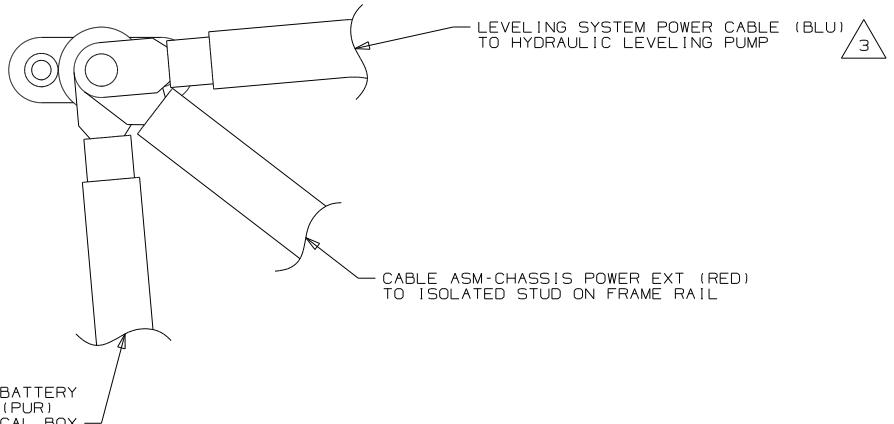
FIRST USED	
10 J-SERIES	
DO NOT SCALE DRAWING	
TITLE: BATTERY INSTL	
SHEET 2	PART NO 169929 REV

FOR ELECTRICAL TORQUE SPECIFICATIONS SEE DWG NO. 128783-01-000

FOR ELECTRICAL CALLOUTS SEE DWG NO. 121339-01-000



BATTERY BOX (FORD)



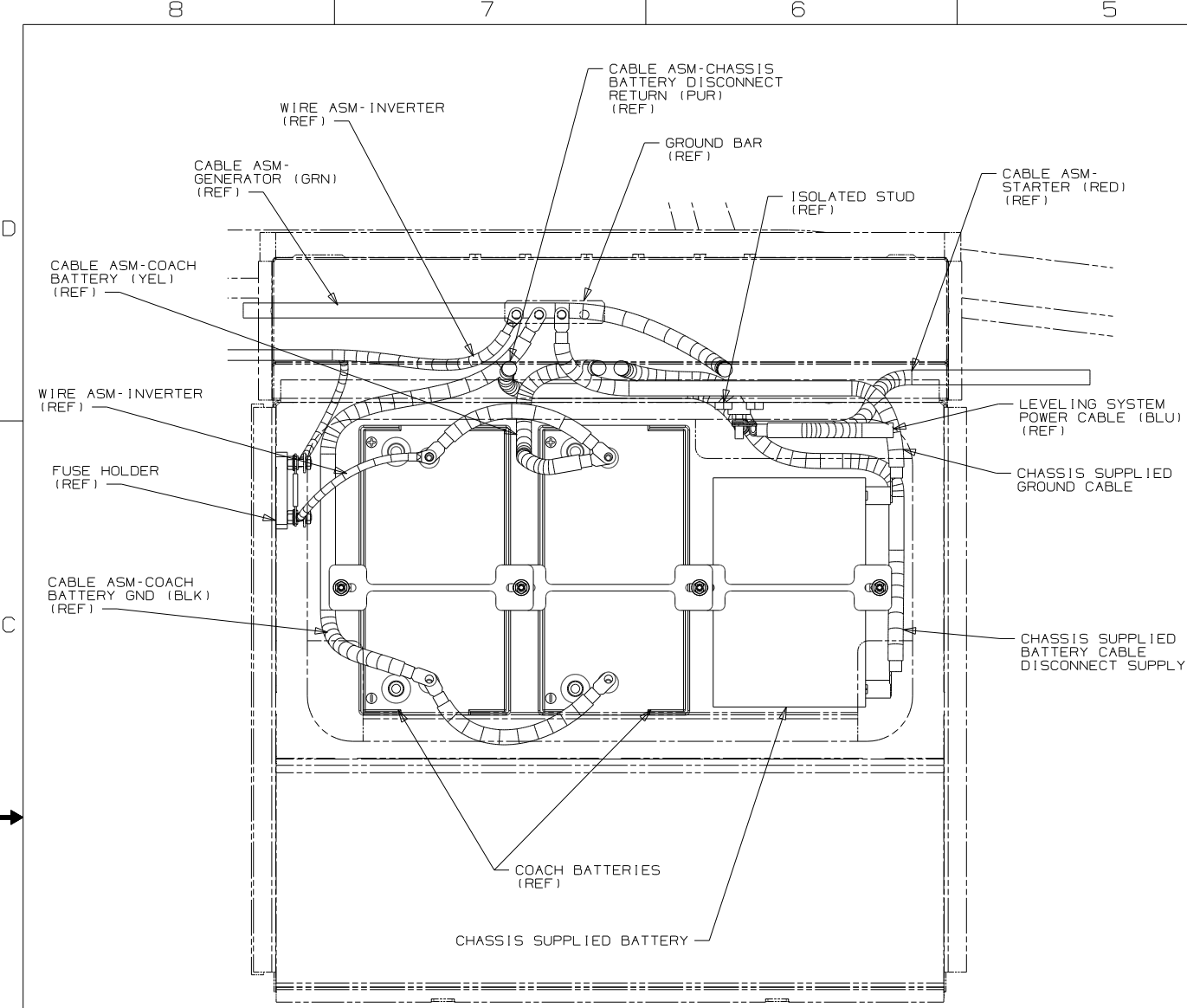
- NOTES:**
- 7** CABLE WILL BE ROUTED TO THE RIGHT SIDE OF STEP BOX ON THE F32H. SEE SHT.5
 - 6** SEE CHASSIS ELECTRICAL BOX ASM FOR ADDITIONAL INFORMATION.
 - 5** SEE WIRING INSTL-CHASSIS FOR ADDITIONAL INFORMATION.
 - 4** USE TWO NUTS HERE TO ACCOUNT FOR BATTERY HEIGHT DIFFERENCE.
 - 3** SEE LEVELING SYSTEM INSTL FOR ADDITIONAL INFORMATION.
 - 2** LOCATE CHASSIS SUPPLIED GROUND WIRES TO CABLE, AND REDUCE LENGTH TO 700MM AND ADD TERMINAL 8348-01-000 TO THE CUT END.
 - 1** USED ON J32H, J35P, & J37F.

FOR ELECTRICAL TORQUE SPECIFICATIONS SEE DWG NO. 128783-01-000

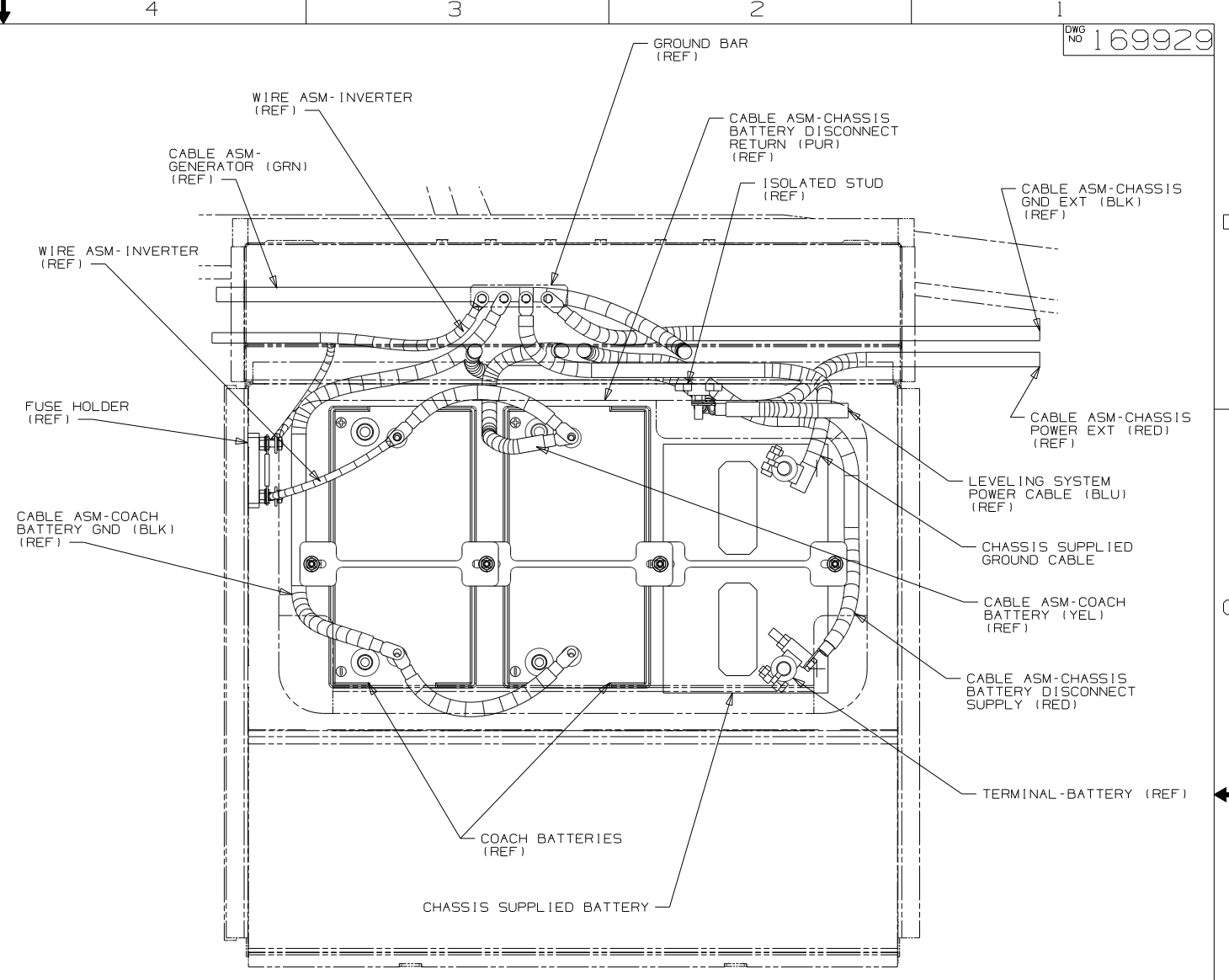
FOR ELECTRICAL CALLOUTS SEE DWG NO. 121339-01-000

- 40D** INVERTER-DC/AC, 600 WATT
- 265** CODES/STANDARDS-CSA/CMVSS
- 1B1** CODES/STANDARDS USA

FIRST USED	10 J-SERIES
TITLE:	DO NOT SCALE DRAWING
	BATTERY INSTL
SHEET 3	PART NO 169929 REV



VIEW DA
(WORKHORSE)



VIEW DB
(FORD)

265 CODES/STANDARDS - CSA/CMVSS

1B1 CODES/STANDARDS USA

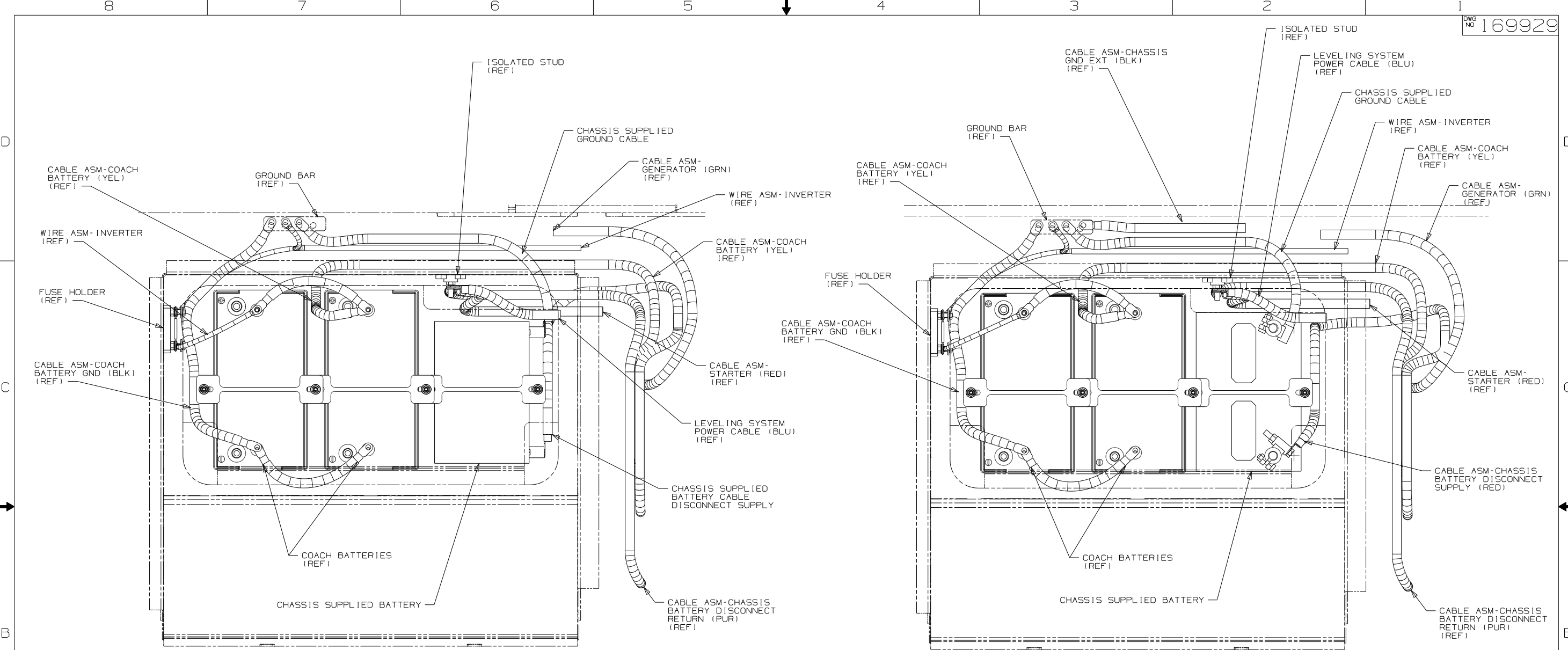
1B1 265

FOR ELECTRICAL TORQUE SPECIFICATIONS SEE DWG NO. 128783-01-000

X-X

FOR ELECTRICAL CALLOUTS SEE DWG NO. 121339-01-000

FIRST USED	
10 J-SERIES	
DO NOT SCALE DRAWING	
TITLE: BATTERY INSTL	
SHEET 4	PART NO 169929 REV



VIEW EA
(WORKHORSE)

VIEW EB
(FORD)

265 CODES/STANDARDS - CSA/CMVSS

1B1 CODES/STANDARDS USA

1B1 265

FIRST USED
10 J-SERIES

DO NOT SCALE DRAWING

TITLE:
BATTERY INSTL

SHEET 5 PART NO 169929 REV

FOR ELECTRICAL TORQUE SPECIFICATIONS SEE DWG NO. 128783-01-000


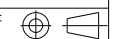
X-X

FOR ELECTRICAL CALLOUTS SEE DWG NO. 121339-01-000

		J32H	J33S	J35P	J35Z	J37F	J38N	J38S
CABLE ASM-CHASSIS BATTERY (RED)		141417-35-056	141417-35-044	141417-35-056	141417-35-044	141417-35-068	141417-35-072	141417-35-072
CABLE ASM-COACH BATTERY (YEL)		141417-52-012	141417-52-008	141417-52-012	141417-52-008	141417-52-012	141417-52-008	141417-52-008
CABLE ASM-COACH BATTERY GND (BLK)		133568-11-006	133568-11-006	133568-11-006	133568-11-006	133568-11-006	133568-11-006	133568-11-006
CABLE ASM-GENERATOR (GRN)	(321) (67A) (51M)	141415-42-070	141416-42-087	141415-42-080	141416-42-091	141416-42-072	141416-42-072	141416-42-072
WIRE ASM-INVERTER	(40D)	154845-01-012	N/A	154845-01-012	154845-01-020	154845-01-012	154845-01-018	N/A
LEVELING SYSTEM POWER CABLE (BLU)	(60M)	141415-22-049	141415-22-037	141415-22-049	141415-22-037	141415-22-049	141416-25-035	141416-25-035
LEVELING SYSTEM GND CABLE (BLK)	(60M)	133566-11-008	133566-11-008	133566-11-008	133566-11-008	133566-11-008	N/A	N/A
GENERATOR GROUND CABLE (BLK)	(321) (67A)	N/A	133566-12-006	133566-12-006	133566-12-006	133566-12-006	133566-12-006	133566-12-006
FRONT CHASSIS POWER (RED)		141415-32-010	141415-32-010	141415-32-010	141415-32-010	141415-32-010	141415-32-010	141415-32-010
CHASSIS BATTERY DISCONNECT RETURN (PUR)		141417-15-056	141417-15-044	141417-15-056	141417-15-044	141417-15-068	N/A	N/A

- (ILX) FRTL (FRED) 22K-340HP 22.5TIRE
- (ILZ) FRTL (FRED) 26K-340HP 22.5TIRE
- (51M) GEN-5.5KW ONAN-LP-MARO GOLD
- (ILI) FRTL (FRED) 22K-300HP 22.5TIRE
- (40D) INVERTER-DC/AC,600 WATT
- (60M) HYDRAULIC LEVEL JACKS-AUTO
- (321) GENERATOR PREP KIT
- (ILL) FRTL (FRED) 27,000#-22.5 TIRE
- (67A) GEN-6.0KW ONAN QUIET DIESEL
- (265) CODES/STANDARDS-CSA/CMVSS
- (IB1) CODES/STANDARDS USA

(IB1) (265) (ILL) (ILI) (ILZ) (ILX)

		COPYRIGHT 2010 WINNEBAGO INDUSTRIES, INC.
DFTR	ORIG. DATE	
CHKR	ALL DIMENSIONS ARE IN MILLIMETERS	
P.E.	FIRST USED	
M.E.	10 J-FREIGHTLINER	
DSNR		
UNSPECIFIED TOLERANCES ARE: WHOLE DIM (X) : 3 ONE-PLACE (X.X) : 1.5 TWO-PLACE (X.XX) : 0.50 ANGLE : 1°		MATERIAL:
THIRD ANGLE PROJECTION 		

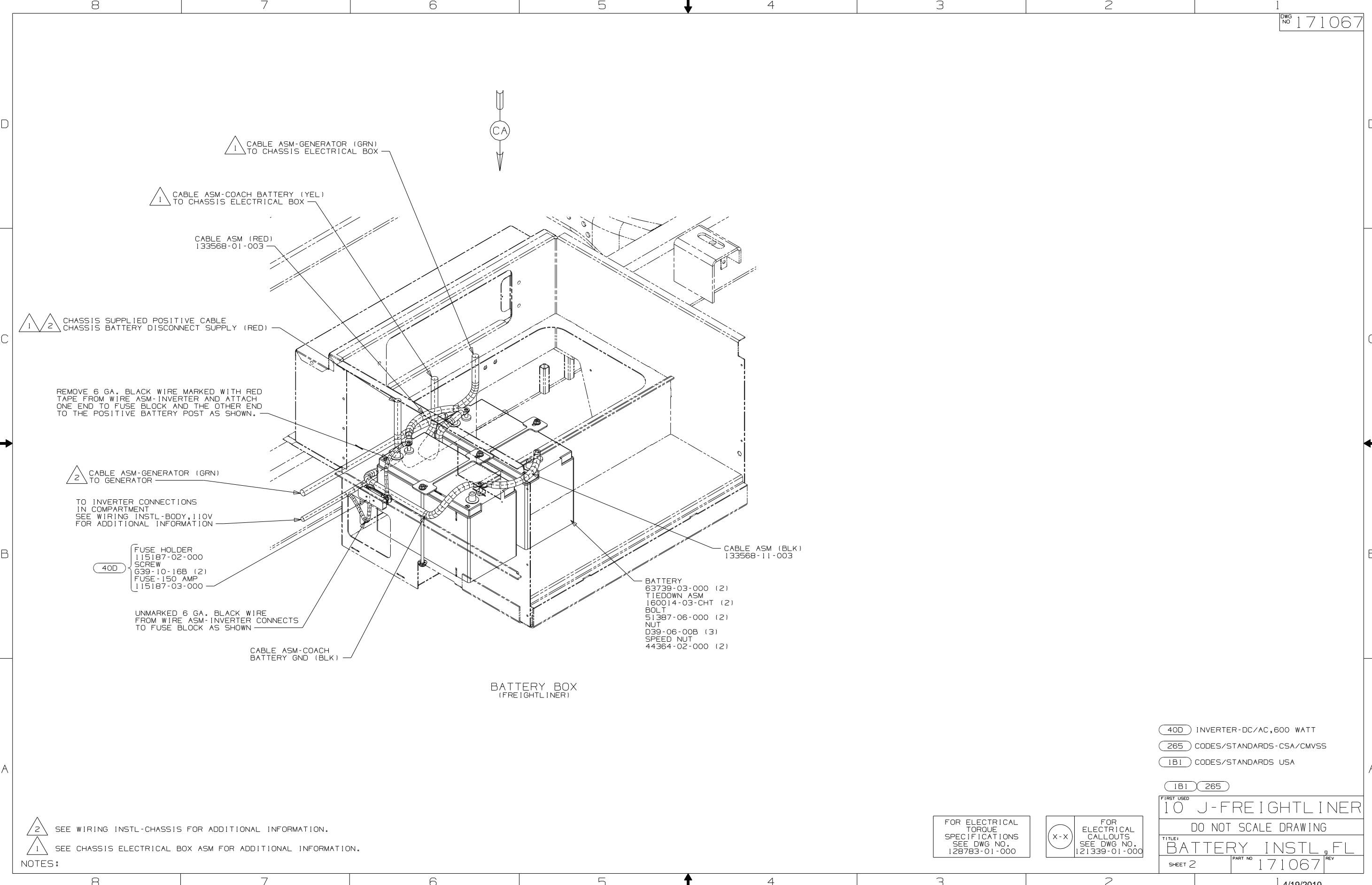
FOR ELECTRICAL TORQUE SPECIFICATIONS SEE DWG NO. 128783-01-000

(X-X) FOR ELECTRICAL CALLOUTS SEE DWG NO. 121339-01-000

DO NOT SCALE DRAWING

TITLE: BATTERY INSTL, FL

SHEET 1 of 3 PART NO 171067 REV



BATTERY BOX (FREIGHTLINER)

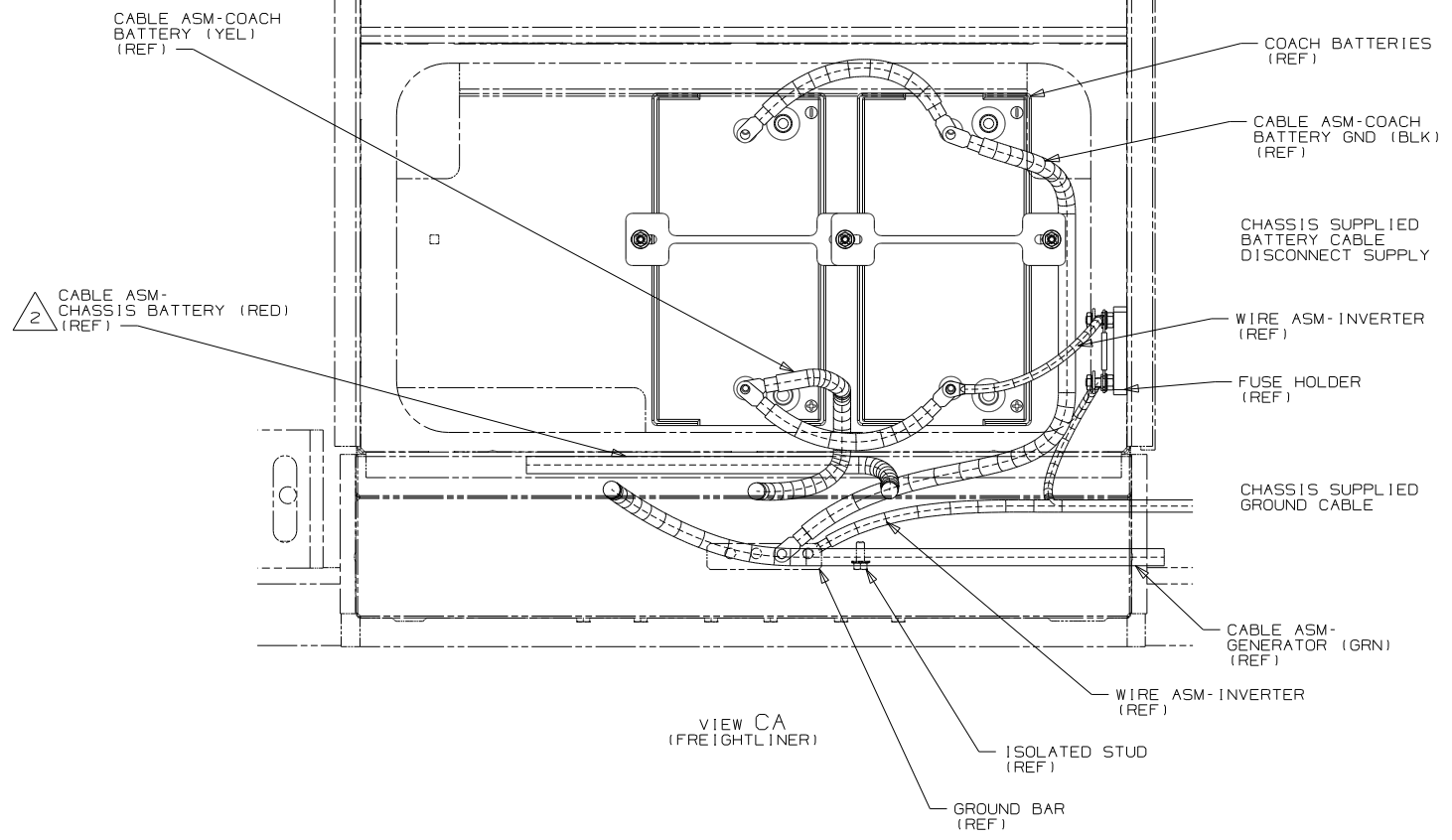
NOTES:
2 SEE WIRING INSTL-CHASSIS FOR ADDITIONAL INFORMATION.
1 SEE CHASSIS ELECTRICAL BOX ASM FOR ADDITIONAL INFORMATION.

- 40D INVERTER-DC/AC, 600 WATT
- 265 CODES/STANDARDS-CSA/CMVSS
- 1B1 CODES/STANDARDS USA

1B1	265
FIRST USED	
10 J-FREIGHTLINER	
DO NOT SCALE DRAWING	
TITLE: BATTERY INSTL, FL	
SHEET 2	PART NO 171067 REV

FOR ELECTRICAL TORQUE SPECIFICATIONS SEE DWG NO. 128783-01-000

FOR ELECTRICAL CALLOUTS SEE DWG NO. 121339-01-000



265 CODES/STANDARDS - CSA/CMVSS

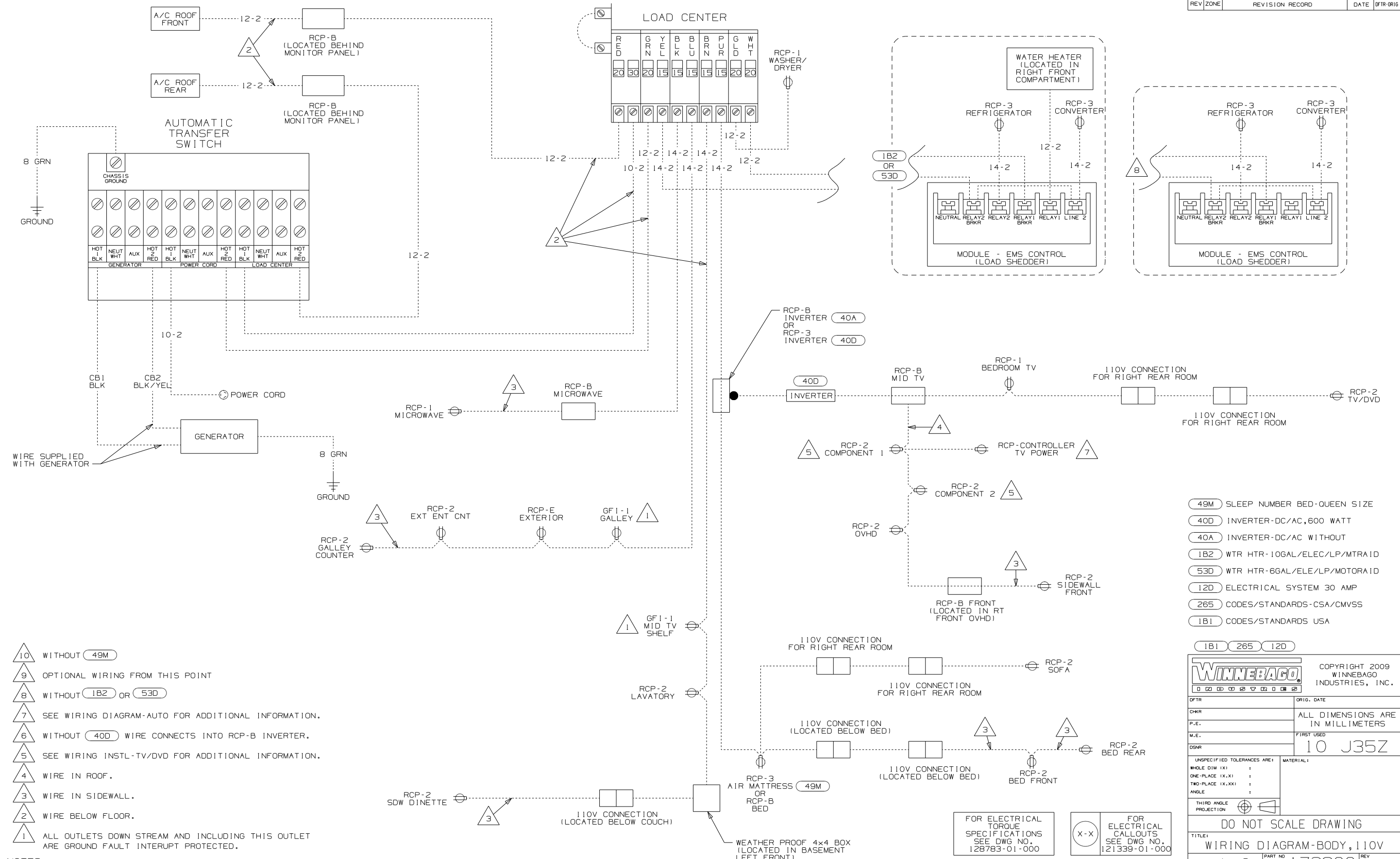
1B1 CODES/STANDARDS USA

1B1 265

FOR ELECTRICAL TORQUE SPECIFICATIONS SEE DWG NO. 128783-01-000

X-X FOR ELECTRICAL CALLOUTS SEE DWG NO. 121339-01-000

FIRST USED	
10 J-FREIGHTLINER	
DO NOT SCALE DRAWING	
TITLE: BATTERY INSTL FL	
SHEET 3	PART NO 171067 REV



- NOTES:
- 10 WITHOUT (49M)
 - 9 OPTIONAL WIRING FROM THIS POINT
 - 8 WITHOUT (1B2) OR (53D)
 - 7 SEE WIRING DIAGRAM-AUTO FOR ADDITIONAL INFORMATION.
 - 6 WITHOUT (40D) WIRE CONNECTS INTO RCP-B INVERTER.
 - 5 SEE WIRING INSTL-TV/DVD FOR ADDITIONAL INFORMATION.
 - 4 WIRE IN ROOF.
 - 3 WIRE IN SIDEWALL.
 - 2 WIRE BELOW FLOOR.
 - 1 ALL OUTLETS DOWN STREAM AND INCLUDING THIS OUTLET ARE GROUND FAULT INTERRUPT PROTECTED.

- (49M) SLEEP NUMBER BED-QUEEN SIZE
- (40D) INVERTER-DC/AC,600 WATT
- (40A) INVERTER-DC/AC WITHOUT
- (1B2) WTR HTR-10GAL/ELEC/LP/MTRAIID
- (53D) WTR HTR-6GAL/ELE/LP/MOTORAID
- (12D) ELECTRICAL SYSTEM 30 AMP
- (265) CODES/STANDARDS-CSA/CMVSS
- (1B1) CODES/STANDARDS USA

WINNEBAGO COPYRIGHT 2009 WINNEBAGO INDUSTRIES, INC.

DFTR	ORIG. DATE
CHKR	ALL DIMENSIONS ARE IN MILLIMETERS
P.E.	FIRST USED
M.E.	10 J35Z
DSNR	

UNSPECIFIED TOLERANCES ARE: MATERIAL:

WHOLE DIM (X) :
ONE-PLACE (X.X) :
TWO-PLACE (X.XX) :
ANGLE :
THIRD ANGLE PROJECTION

DO NOT SCALE DRAWING

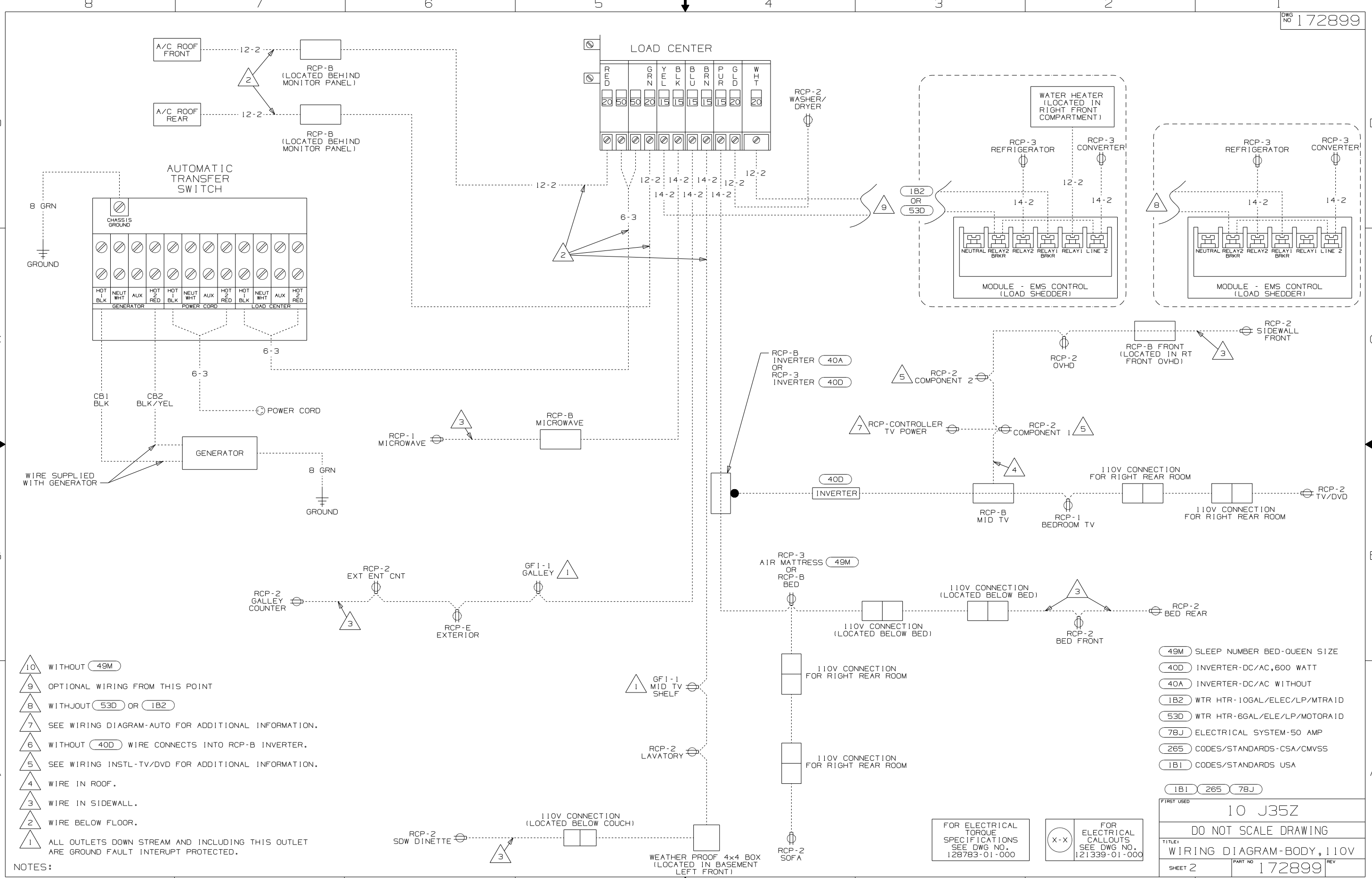
TITLE: WIRING DIAGRAM-BODY, 110V

SHEET 1 OF 2 PART NO 172899 REV

REF: 1 2/13/2009

FOR ELECTRICAL TORQUE SPECIFICATIONS SEE DWG NO. 128783-01-000

(X-X) FOR ELECTRICAL CALLOUTS SEE DWG NO. 121339-01-000



- NOTES:
- 10 WITHOUT (49M)
 - 9 OPTIONAL WIRING FROM THIS POINT
 - 8 WITHOUT (53D) OR (1B2)
 - 7 SEE WIRING DIAGRAM-AUTO FOR ADDITIONAL INFORMATION.
 - 6 WITHOUT (40D) WIRE CONNECTS INTO RCP-B INVERTER.
 - 5 SEE WIRING INSTL-TV/DVD FOR ADDITIONAL INFORMATION.
 - 4 WIRE IN ROOF.
 - 3 WIRE IN SIDEWALL.
 - 2 WIRE BELOW FLOOR.
 - 1 ALL OUTLETS DOWN STREAM AND INCLUDING THIS OUTLET ARE GROUND FAULT INTERRUPT PROTECTED.

- (49M) SLEEP NUMBER BED-QUEEN SIZE
- (40D) INVERTER-DC/AC,600 WATT
- (40A) INVERTER-DC/AC WITHOUT
- (1B2) WTR HTR-10GAL/ELEC/LP/MTRAI/D
- (53D) WTR HTR-6GAL/ELE/LP/MOTORA/D
- (78J) ELECTRICAL SYSTEM-50 AMP
- (265) CODES/STANDARDS-CSA/CMVSS
- (1B1) CODES/STANDARDS USA

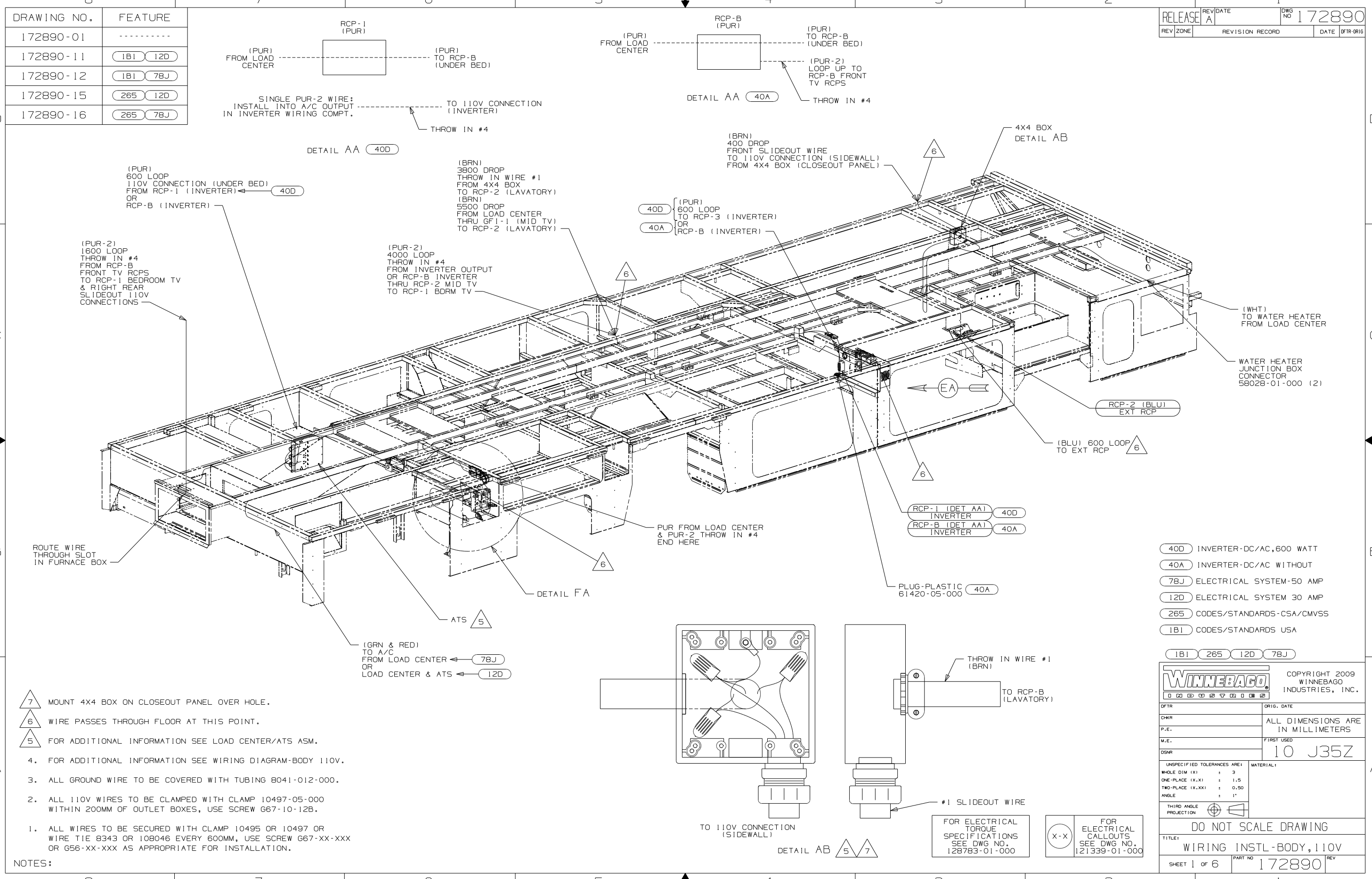
FOR ELECTRICAL TORQUE SPECIFICATIONS SEE DWG NO. 128783-01-000

FOR ELECTRICAL CALLOUTS SEE DWG NO. 121339-01-000

FIRST USED	
10 J35Z	
DO NOT SCALE DRAWING	
TITLE: WIRING DIAGRAM-BODY, 110V	
SHEET 2	PART NO 172899 REV

DRAWING NO.	FEATURE
172890-01	-----
172890-11	(1B1) (12D)
172890-12	(1B1) (78J)
172890-15	(265) (12D)
172890-16	(265) (78J)

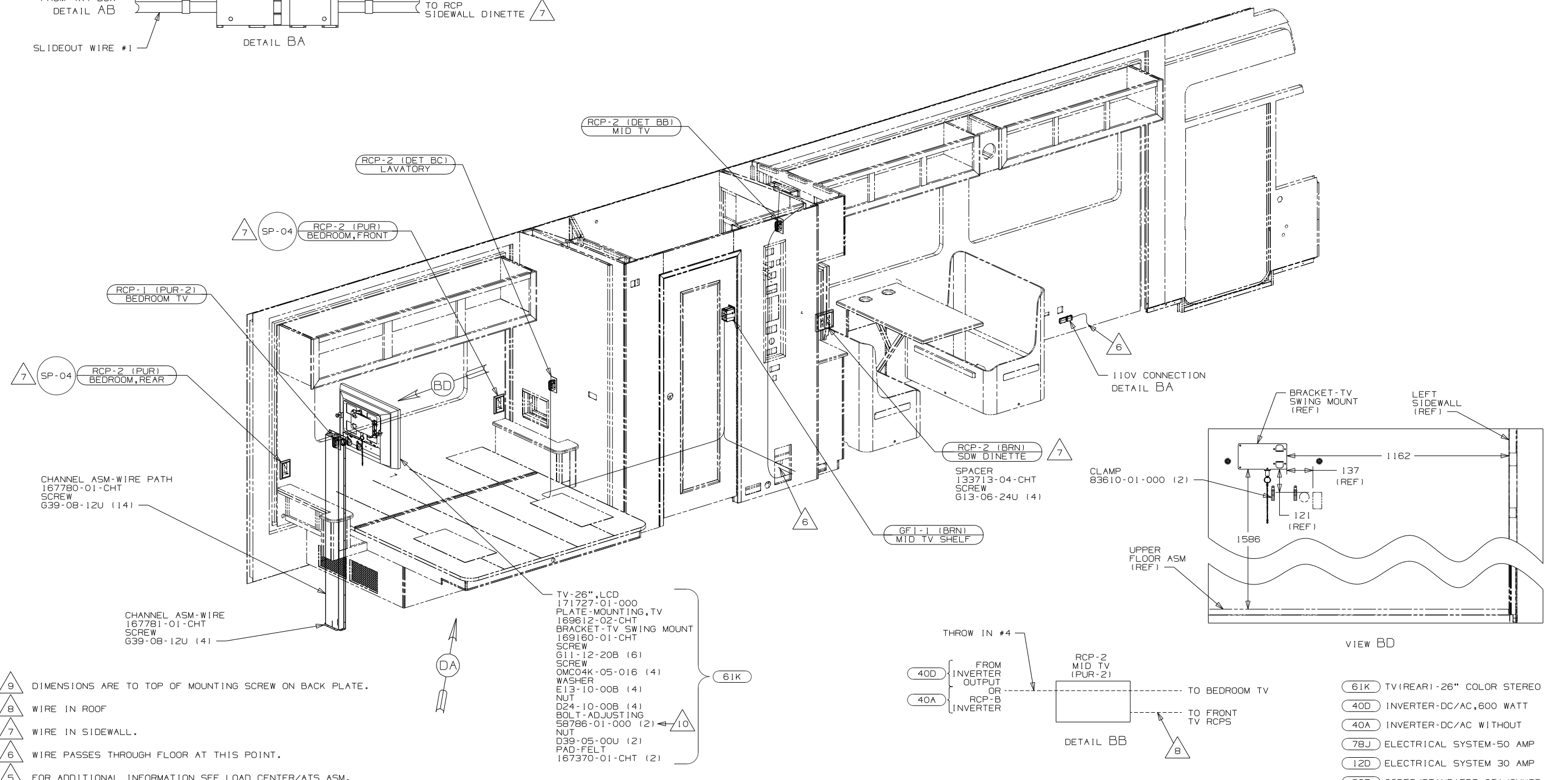
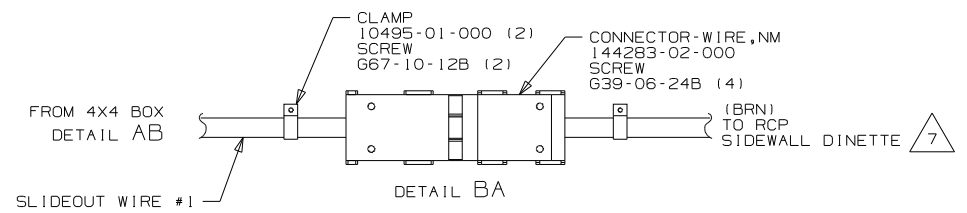
RELEASE	REV/DATE	DWG NO
	A	172890
REV ZONE	REVISION RECORD	DATE
		DFTR-016



- NOTES:
- ALL WIRES TO BE SECURED WITH CLAMP 10495 OR 10497 OR WIRE TIE 8343 OR 108046 EVERY 600MM, USE SCREW G67-XX-XXX OR G56-XX-XXX AS APPROPRIATE FOR INSTALLATION.
 - ALL 110V WIRES TO BE CLAMPED WITH CLAMP 10497-05-000 WITHIN 200MM OF OUTLET BOXES, USE SCREW G67-10-12B.
 - ALL GROUND WIRE TO BE COVERED WITH TUBING 8041-012-000.
 - FOR ADDITIONAL INFORMATION SEE WIRING DIAGRAM-BODY 110V.
 - FOR ADDITIONAL INFORMATION SEE LOAD CENTER/ATS ASM.
 - WIRE PASSES THROUGH FLOOR AT THIS POINT.
 - MOUNT 4X4 BOX ON CLOSEOUT PANEL OVER HOLE.

- (40D) INVERTER-DC/AC, 600 WATT
- (40A) INVERTER-DC/AC WITHOUT
- (78J) ELECTRICAL SYSTEM-50 AMP
- (12D) ELECTRICAL SYSTEM 30 AMP
- (265) CODES/STANDARDS-CSA/CMVSS
- (1B1) CODES/STANDARDS USA

WINNEBAGO		COPYRIGHT 2009 WINNEBAGO INDUSTRIES, INC.	
DFTR	ORIG. DATE	ALL DIMENSIONS ARE IN MILLIMETERS	
CHKR		FIRST USED	
P.E.		10 J35Z	
M.E.		UNSPECIFIED TOLERANCES ARE:	
DSNR		MATERIAL:	
		WHOLE DIM (X)	: 3
		ONE-PLACE (X.X)	: 1.5
		TWO-PLACE (X.XX)	: 0.50
		ANGLE	: 1°
		THIRD ANGLE PROJECTION	
DO NOT SCALE DRAWING			
TITLE: WIRING INSTL-BODY, 110V			
SHEET 1 of 6	PART NO	172890	REV
REF:	1 2/13/2009		



- 9 DIMENSIONS ARE TO TOP OF MOUNTING SCREW ON BACK PLATE.
- 8 WIRE IN ROOF
- 7 WIRE IN SIDEWALL.
- 6 WIRE PASSES THROUGH FLOOR AT THIS POINT.
- 5 FOR ADDITIONAL INFORMATION SEE LOAD CENTER/ATS ASM.

4. FOR ADDITIONAL INFORMATION SEE WIRING DIAGRAM-BODY 110V.
3. ALL GROUND WIRE TO BE COVERED WITH TUBING 8041-012-000.
2. ALL 110V WIRES TO BE CLAMPED WITH CLAMP 10497-05-000 WITHIN 200MM OF OUTLET BOXES, USE SCREW 667-10-12B.
1. ALL WIRES TO BE SECURED WITH CLAMP 10495 OR 10497 OR WIRE TIE 8343 OR 108046 EVERY 600MM, USE SCREW 667-XX-XXX OR G56-XX-XXX AS APPROPRIATE FOR INSTALLATION.

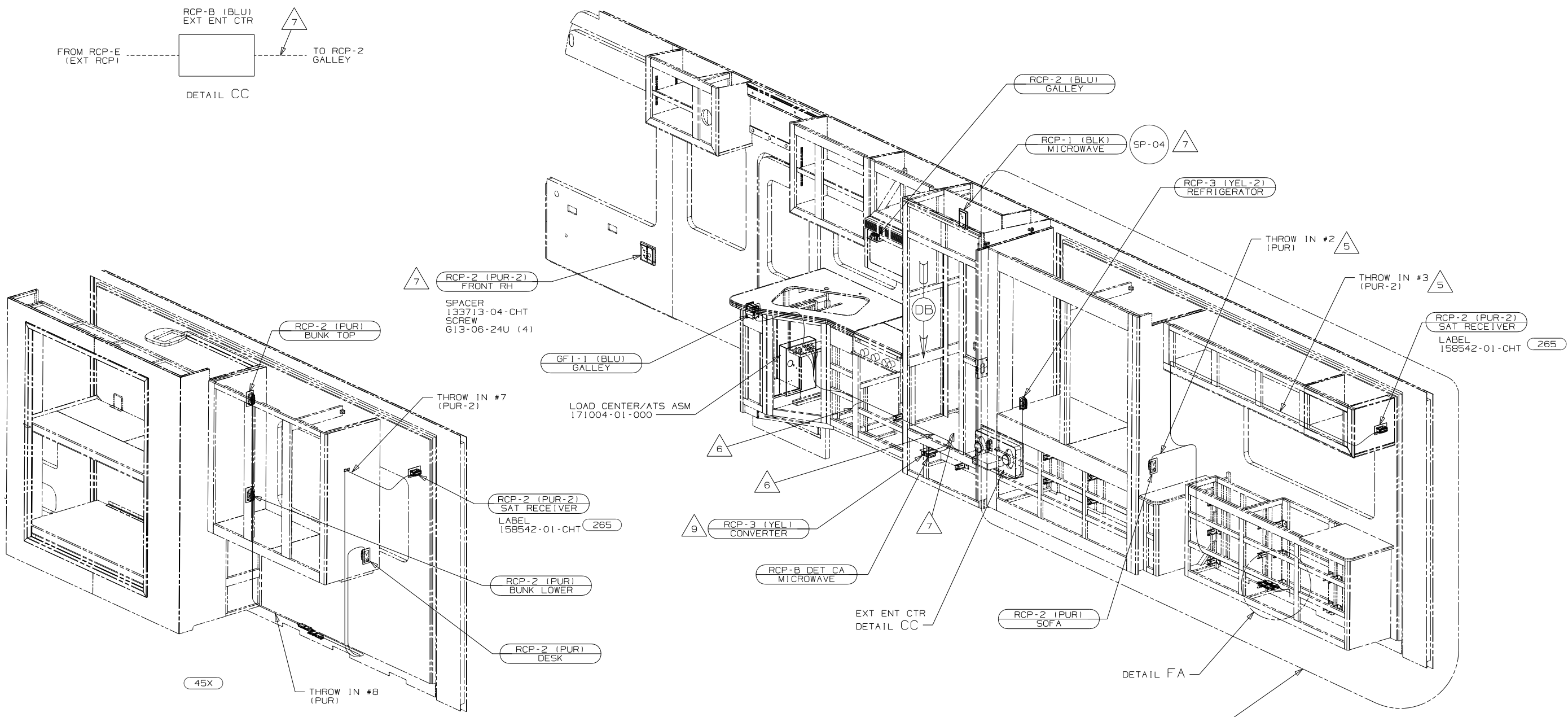
10 BOLT-ADJUSTING TO BE SET WITH TV IN THE STOWED POSITION.

FOR ELECTRICAL TORQUE SPECIFICATIONS SEE DWG NO. 128783-01-000

FOR ELECTRICAL CALLOUTS SEE DWG NO. 121339-01-000

- 61K TV (REAR)-26" COLOR STEREO
- 40D INVERTER-DC/AC, 600 WATT
- 40A INVERTER-DC/AC WITHOUT
- 78J ELECTRICAL SYSTEM-50 AMP
- 12D ELECTRICAL SYSTEM 30 AMP
- 265 CODES/STANDARDS-CSA/CMVSS
- 1B1 CODES/STANDARDS USA

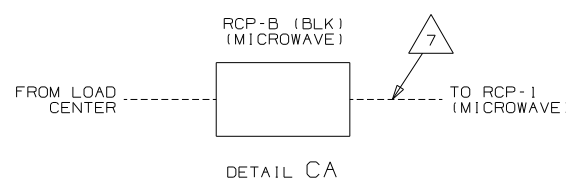
FIRST USED	10 J35Z
TITLE	DO NOT SCALE DRAWING
WIRING INSTL-BODY, 110V	
SHEET 2	PART NO 172890 REV



- 9 SEE DETAIL DB FOR POSITIONING.
- 8 WIRE IN ROOF.
- 7 WIRE IN SIDEWALL.
- 6 WIRE PASSES THROUGH FLOOR AT THIS POINT.
- 5 FOR MORE INFORMATION SEE LOAD CENTER/ATS ASM.

- 4. FOR MORE INFORMATION SEE WIRING DIAGRAM-BODY,110.
- 3. ALL GROUND WIRE TO BE COVERED WITH TUBING 8041-02-000.
- 2. ALL 110V WIRES TO BE CLAMPED WITH CLAMP 10497-05-000 WITHIN 200MM OF OUTLET BOXES, USE SCREW G67-10-12B.
- 1. ALL WIRES TO BE SECURED WITH CLAMP 10495 OR 10497 OR WIRE TIE 8343 OR 108046 EVERY 600MM, USE SCREW G67-XX-XXX OR G56-XX-XXX AS APPROPRIATE FOR INSTALLATION.

NOTES:

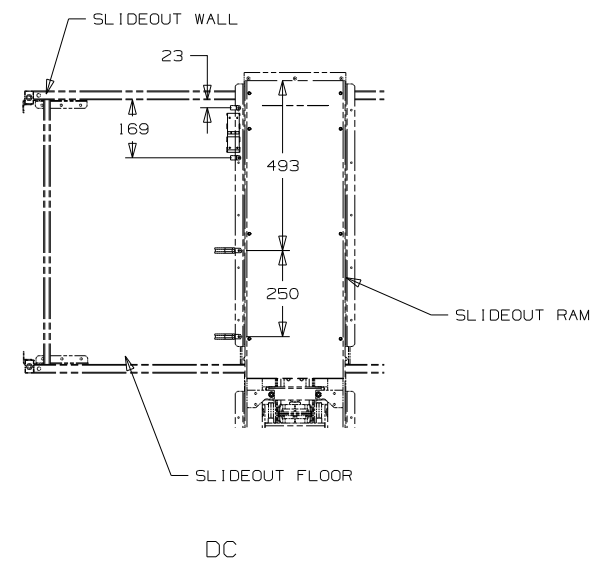
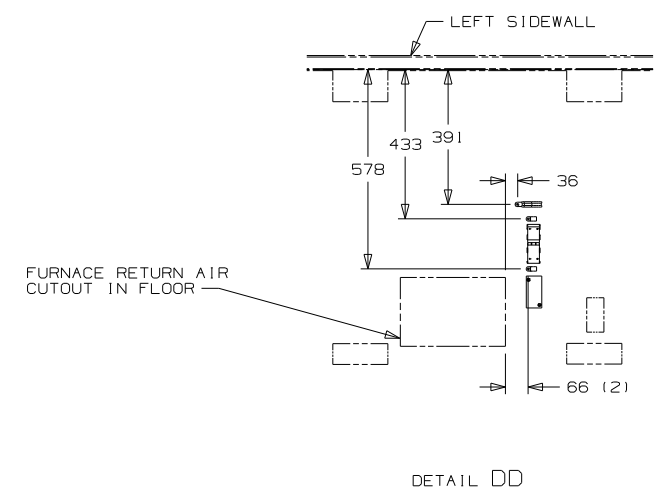
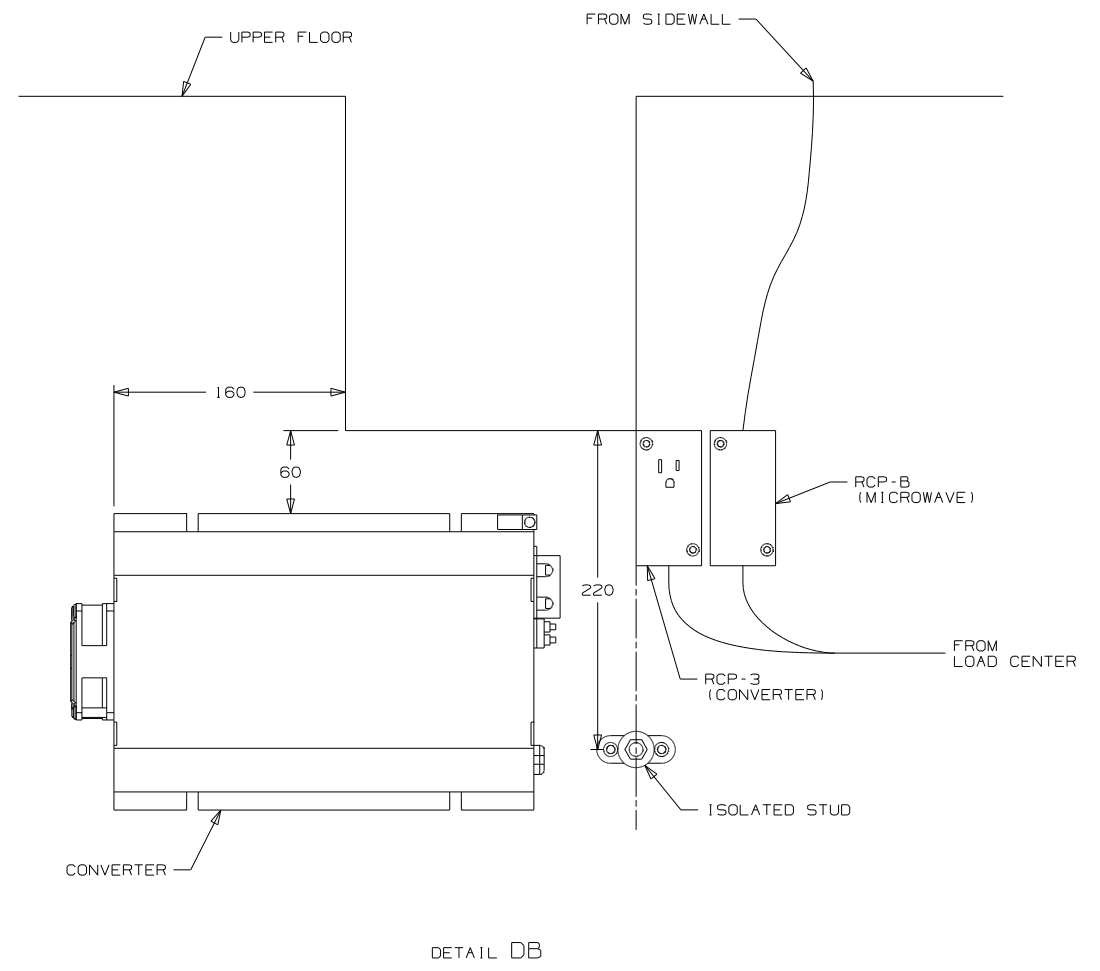
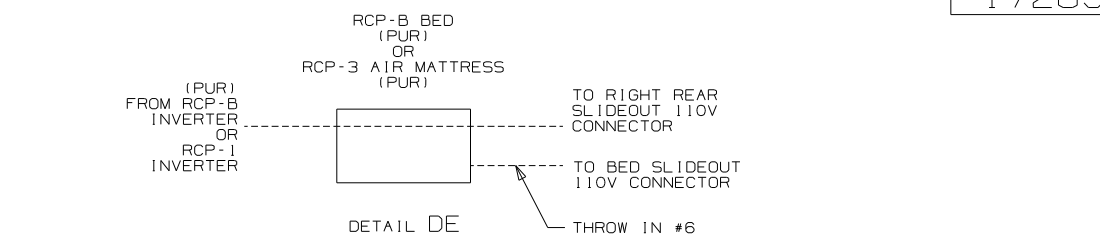
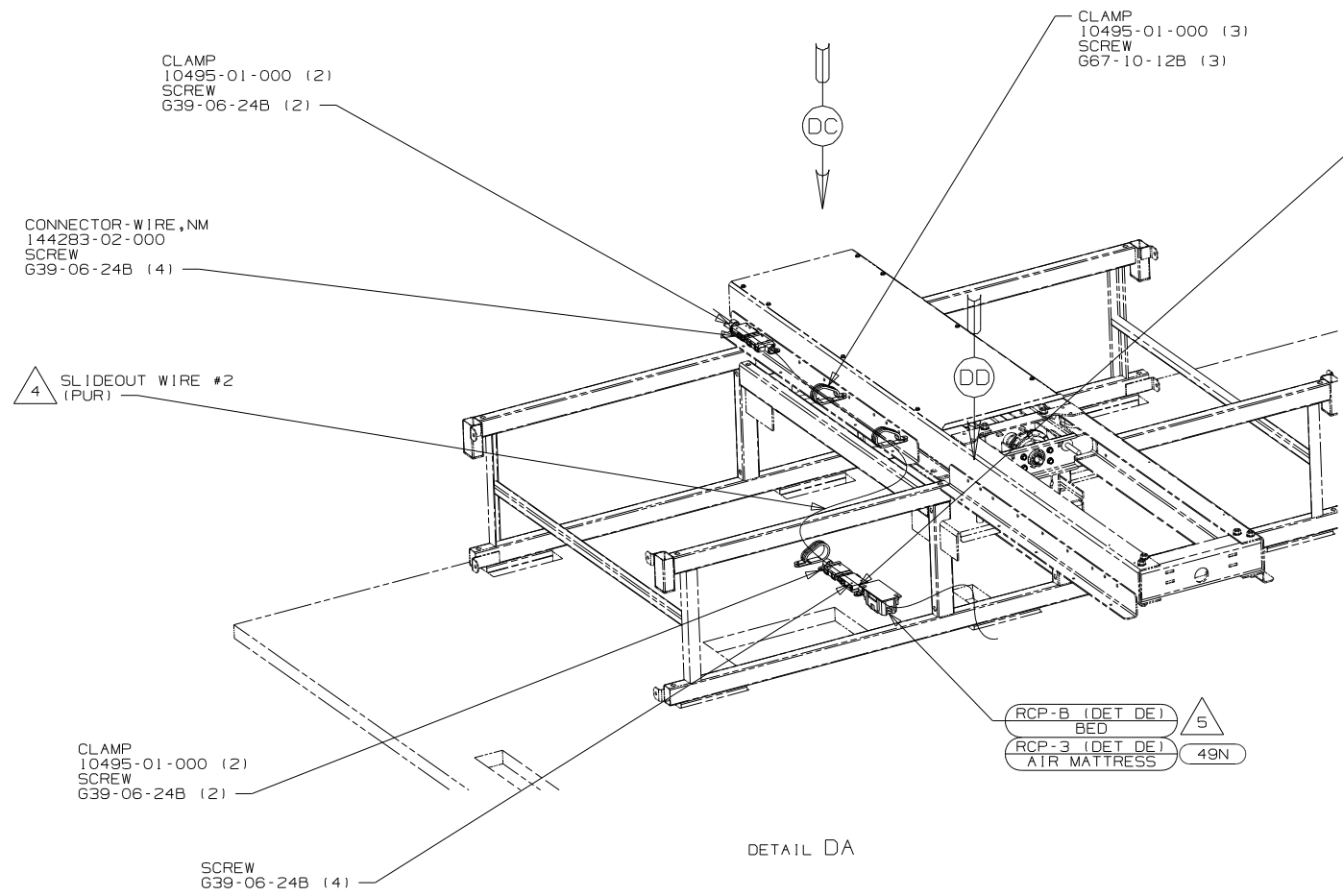


FOR ELECTRICAL TORQUE SPECIFICATIONS SEE DWG NO. 128783-01-000

FOR ELECTRICAL CALLOUTS SEE DWG NO. 121339-01-000

- 45X BED - BUNKS
- 10X SOFA (BEDROOM)
- 10G SOFA (BEDROOM) ULTRALEATHER
- 49M SLEEP NUMBER BED-QUEEN SIZE
- 78J ELECTRICAL SYSTEM-50 AMP
- 12D ELECTRICAL SYSTEM 30 AMP
- 265 CODES/STANDARDS-CSA/CMVSS
- 1B1 CODES/STANDARDS USA

FIRST USED	10 J35Z
TITLE	DO NOT SCALE DRAWING
TITLE	WIRING INSTL-BODY,110V
SHEET 3	PART NO 172890



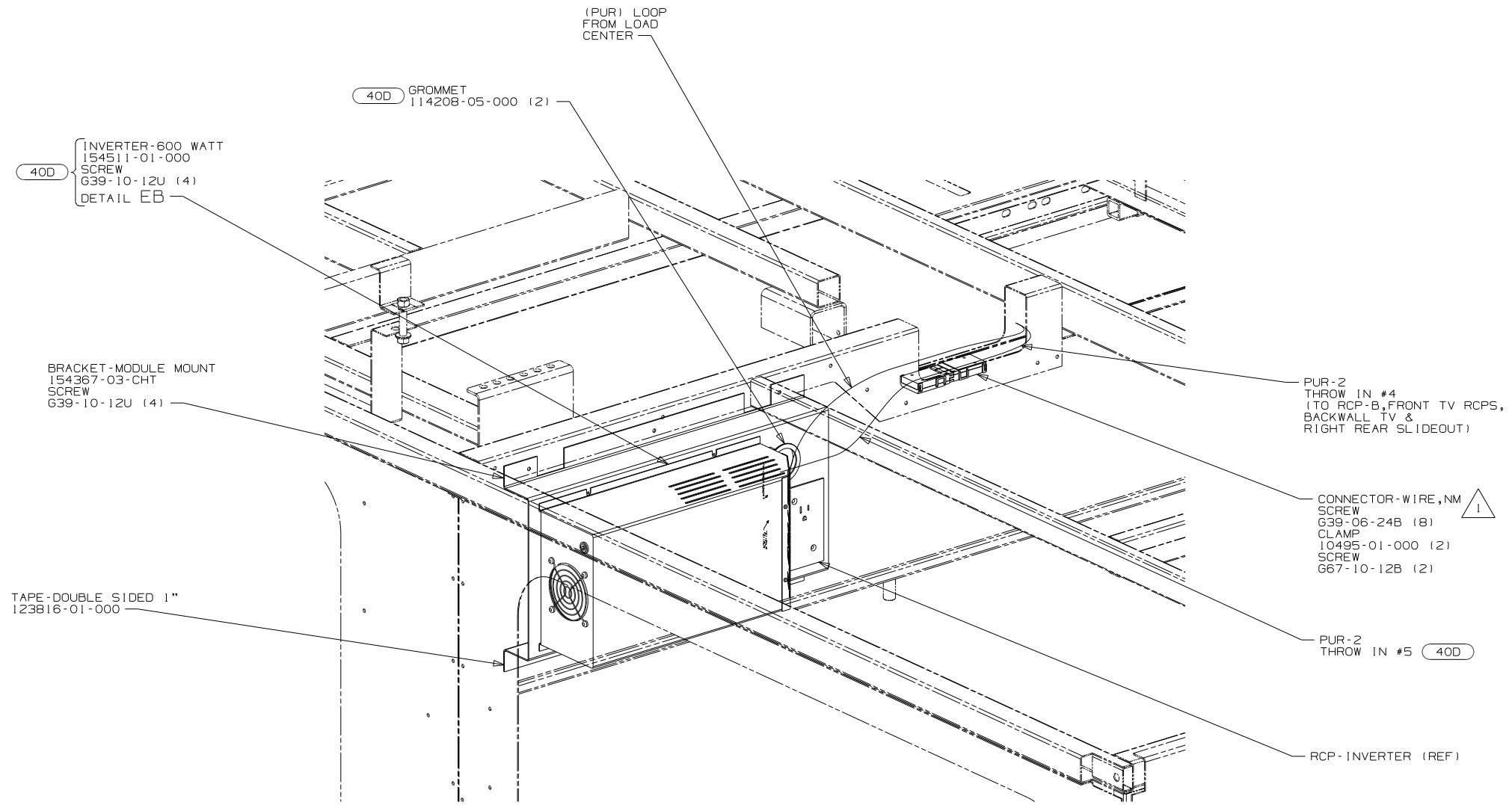
- 5 WITHOUT 49N
 - 4 SEE LOAD CENTER/ATS ASM FOR ADDITIONAL INFORMATION.
 - 3 MAKE LOOP AS SMALL AS POSSIBLE WHEN SLIDEOUT IS COMPLETELY RETRACTED.
2. ROUTE 12V WIRE ALONG WITH 110V SLIDEOUT WIRE.
1. WIRE MUST BE ROUTED THROUGH CLAMPS AS SHOWN.
- NOTES:

- 49N SLEEP NUMBER BED-KING SIZE
- 78J ELECTRICAL SYSTEM-50 AMP
- 12D ELECTRICAL SYSTEM 30 AMP
- 265 CODES/STANDARDS-CSA/CMVSS
- 1B1 CODES/STANDARDS USA

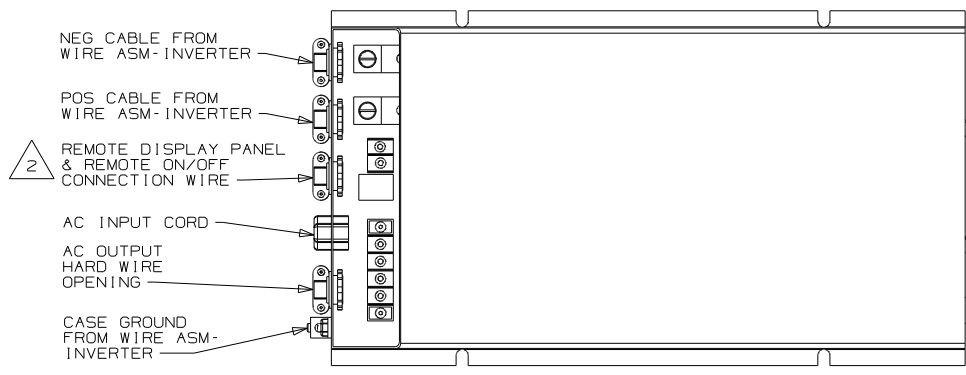
FOR ELECTRICAL TORQUE SPECIFICATIONS SEE DWG NO. 128783-01-000

FOR ELECTRICAL CALLOUTS SEE DWG NO. 121339-01-000

FIRST USED	10 J35Z
TITLE	DO NOT SCALE DRAWING
TITLE	WIRING INSTL-BODY, 110V
SHEET 4	PART NO 172890 REV



VIEW EA



DETAIL EB

NOTES:

2 WB FROM WIRE ASM-COACH TO PUR WIRE FROM INVERTER

1 SEE LOAD CENTER/ATS ASM FOR ADDITIONAL INFORMATION.

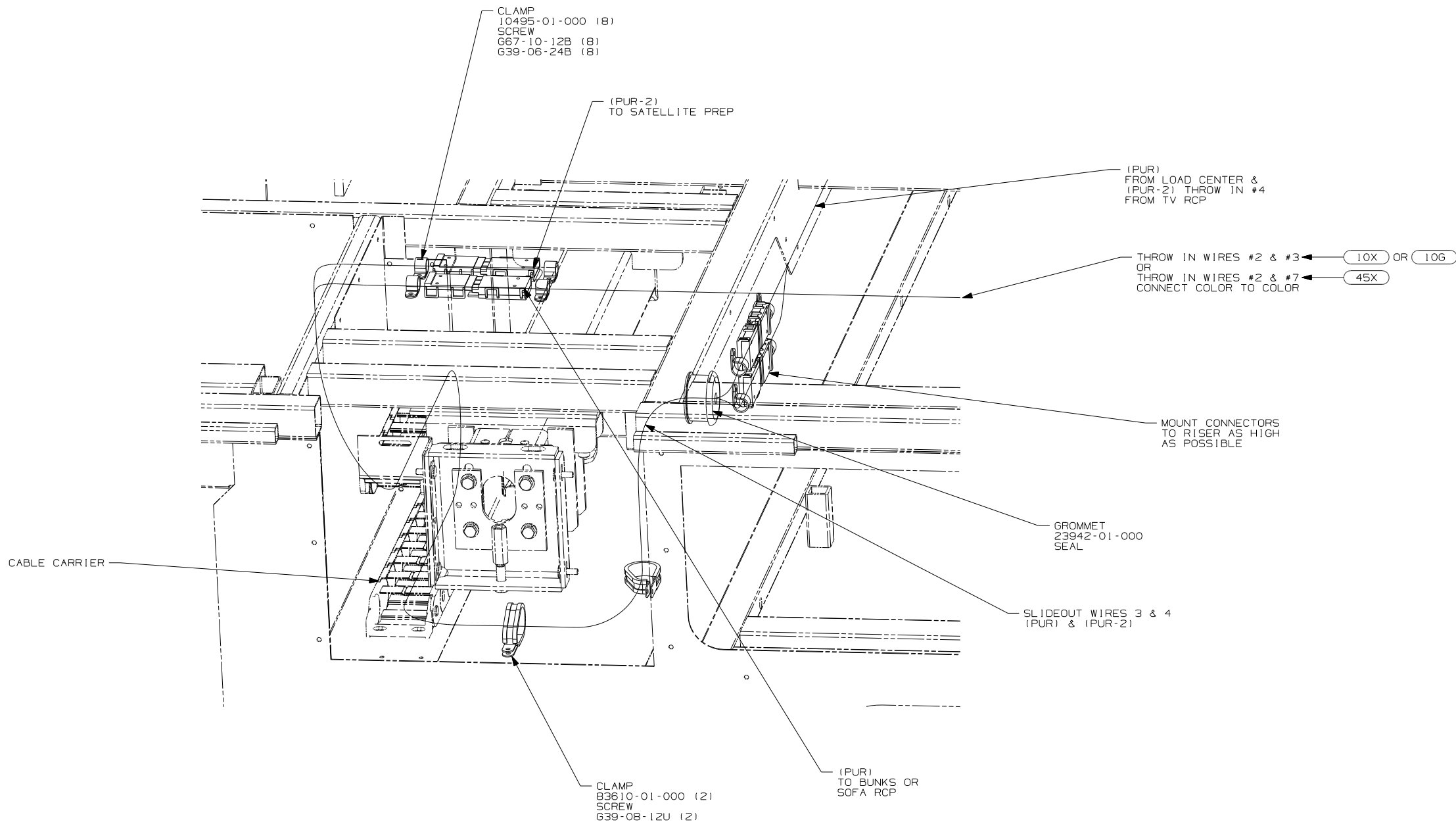
- 40D INVERTER-DC/AC, 600 WATT
- 78J ELECTRICAL SYSTEM-50 AMP
- 12D ELECTRICAL SYSTEM 30 AMP
- 265 CODES/STANDARDS-CSA/CMVSS
- 1B1 CODES/STANDARDS USA

1B1 265 12D 78J

FOR ELECTRICAL TORQUE SPECIFICATIONS SEE DWG NO. 128783-01-000

FOR ELECTRICAL CALLOUTS SEE DWG NO. 121339-01-000

FIRST USED	10 J35Z	
DO NOT SCALE DRAWING		
TITLE:	WIRING INSTL-BODY, 110V	
SHEET 5	PART NO	172890
	REV	



DETAIL FA

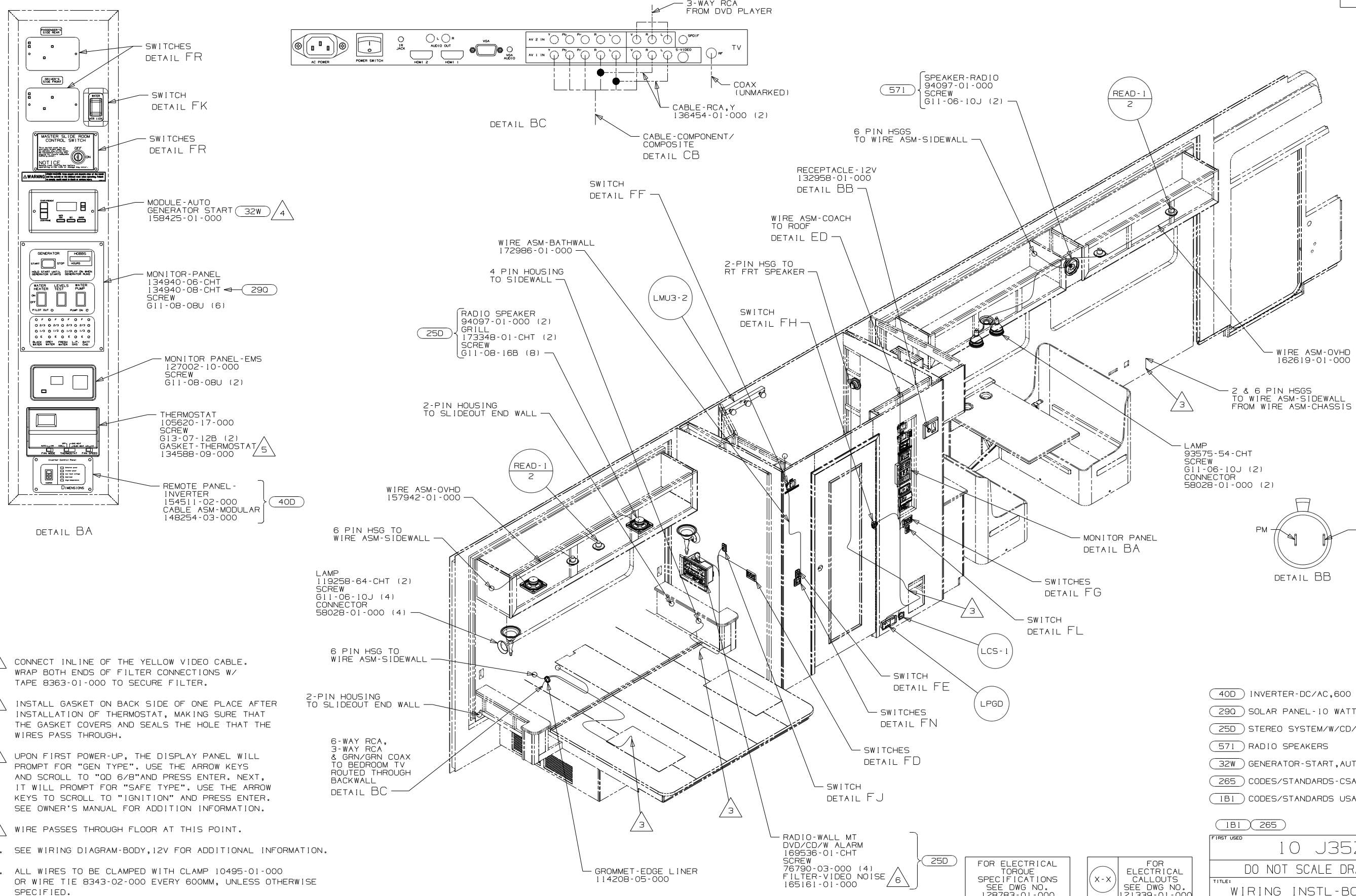
- 45X BED - BUNKS
- 10X SOFA (BEDROOM)
- 10G SOFA (BEDROOM) ULTRALEATHER
- 78J ELECTRICAL SYSTEM-50 AMP
- 12D ELECTRICAL SYSTEM 30 AMP
- 265 CODES/STANDARDS-CSA/CMVSS
- 1B1 CODES/STANDARDS USA

1B1 265 12D 78J

FOR ELECTRICAL
TORQUE
SPECIFICATIONS
SEE DWG NO.
128783-01-000

(X-X)
FOR
ELECTRICAL
CALLOUTS
SEE DWG NO.
121339-01-000

FIRST USED	10 J35Z	
TITLE	DO NOT SCALE DRAWING	
	WIRING INSTL-BODY, 110V	
SHEET 6	PART NO	REV
	172890	



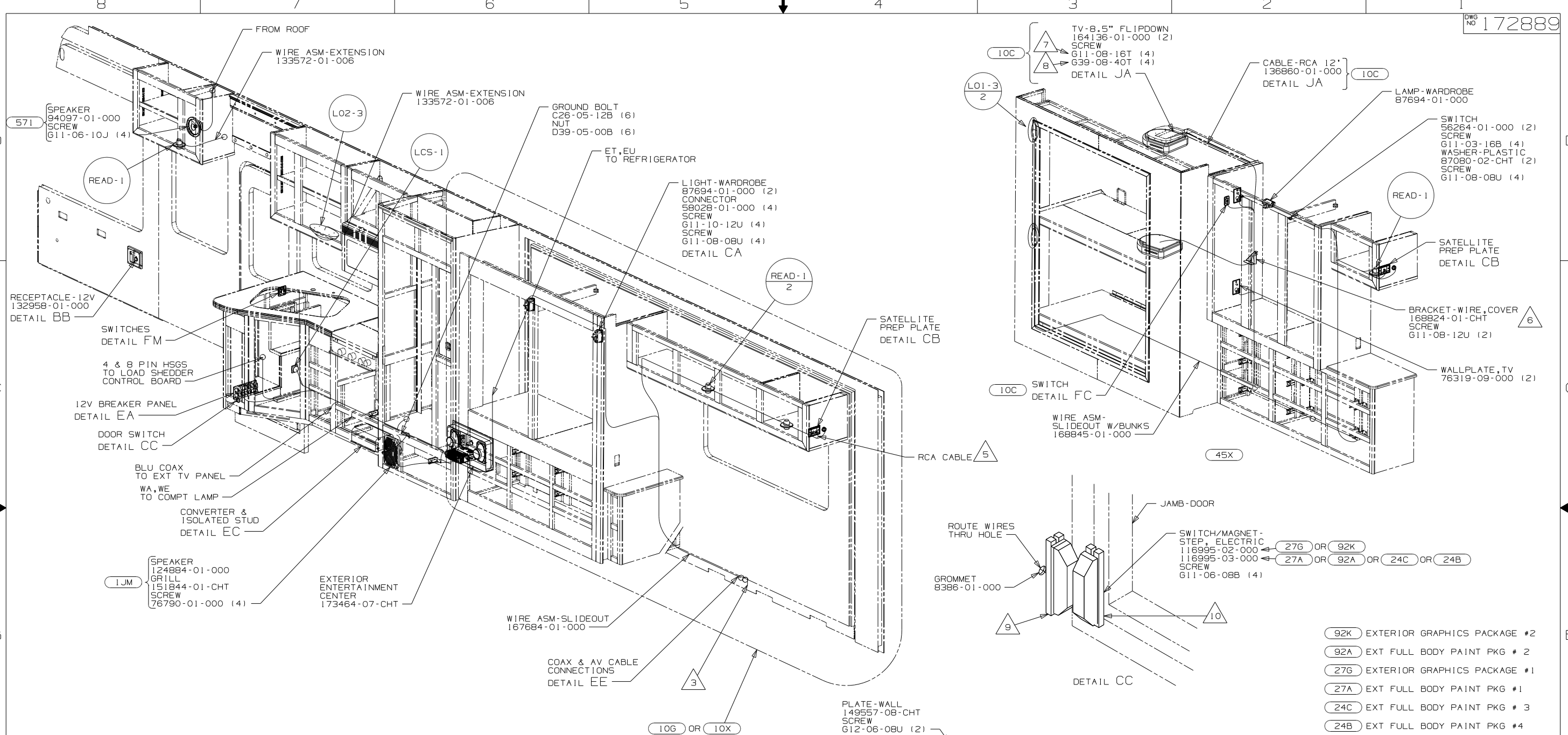
- NOTES:
1. ALL WIRES TO BE CLAMPED WITH CLAMP 10495-01-000 OR WIRE TIE 8343-02-000 EVERY 600MM, UNLESS OTHERWISE SPECIFIED.
 2. SEE WIRING DIAGRAM-BODY,12V FOR ADDITIONAL INFORMATION.
 3. WIRE PASSES THROUGH FLOOR AT THIS POINT.
 4. UPON FIRST POWER-UP, THE DISPLAY PANEL WILL PROMPT FOR "GEN TYPE". USE THE ARROW KEYS AND SCROLL TO "OD 6/8" AND PRESS ENTER. NEXT, IT WILL PROMPT FOR "SAFE TYPE". USE THE ARROW KEYS TO SCROLL TO "IGNITION" AND PRESS ENTER. SEE OWNER'S MANUAL FOR ADDITION INFORMATION.
 5. INSTALL GASKET ON BACK SIDE OF ONE PLACE AFTER INSTALLATION OF THERMOSTAT, MAKING SURE THAT THE GASKET COVERS AND SEALS THE HOLE THAT THE WIRES PASS THROUGH.
 6. CONNECT INLINE OF THE YELLOW VIDEO CABLE. WRAP BOTH ENDS OF FILTER CONNECTIONS W/ TAPE 8363-01-000 TO SECURE FILTER.

- (400) INVERTER-DC/AC,600 WATT
- (290) SOLAR PANEL-10 WATT
- (250) STEREO SYSTEM/W/CD/DVD REAR
- (571) RADIO SPEAKERS
- (32W) GENERATOR-START,AUTO SYSTEM
- (265) CODES/STANDARDS-CSA/CMVSS
- (1B1) CODES/STANDARDS USA

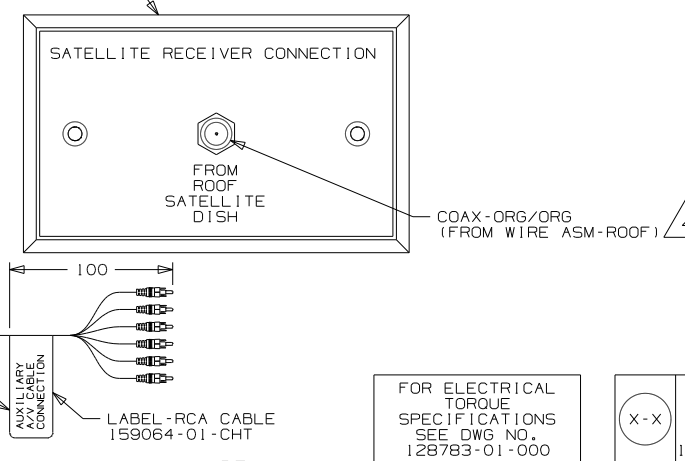
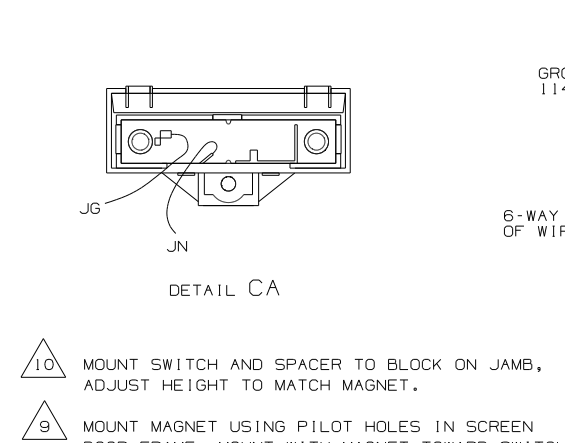
FOR ELECTRICAL TORQUE SPECIFICATIONS SEE DWG NO. 128783-01-000

FOR ELECTRICAL CALLOUTS SEE DWG NO. 121339-01-000

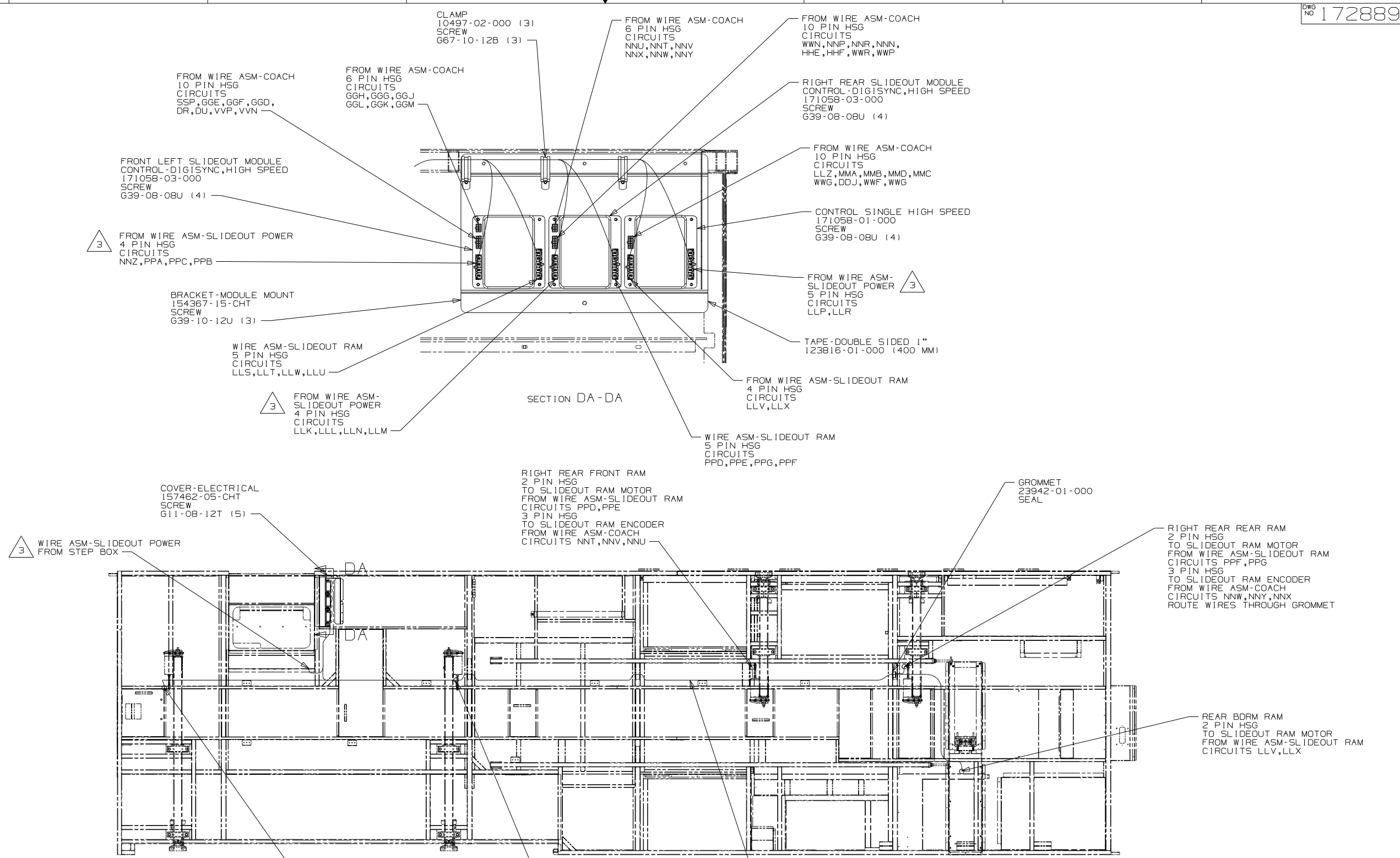
FIRST USED	10 J35Z
DO NOT SCALE DRAWING	
TITLE:	WIRING INSTL-BODY,12V
SHEET 2	PART NO 172889
	REV



- 8 TO BE USED FOR TOP BUNK TV.
 - 7 TO BE USED FOR BOTTOM BUNK TV.
 - 6 MOUNT WIRE COVER TO BUNK AFTER WIRES ARE ROUTED AS CLOSE TO SIDEWALL AND REAR CABINET WALL AS POSSIBLE. LIFT BED & TIE WIRES TO BRACKET WITH TIE 8343-02-000 USING HOLES IN BRACKET.
 - 5 RCA CABLE IS PART OF WIRE ASM-COACH. SEE DETAIL CB.
 - 4 CONNECTS TO REAR OF SATELLITE PREP PLATE.
 - 3 WIRE PASSES THROUGH FLOOR AT THIS POINT.
2. SEE WIRING DIAGRAM-BODY, 12V FOR ADDITIONAL INFORMATION.
1. ALL WIRES TO BE CLAMPED WITH CLAMP 10495-01-000 OR WIRE TIE 8343-02-000 EVERY 600MM, UNLESS OTHERWISE SPECIFIED.



- 92K EXTERIOR GRAPHICS PACKAGE #2
- 92A EXT FULL BODY PAINT PKG # 2
- 276 EXTERIOR GRAPHICS PACKAGE #1
- 27A EXT FULL BODY PAINT PKG #1
- 24C EXT FULL BODY PAINT PKG # 3
- 24B EXT FULL BODY PAINT PKG #4
- 10C DVD PLAYERS(2)W/LCD MONITORS
- 45X BED - BUNKS
- 10X SOFA (BEDROOM)
- 10G SOFA (BEDROOM) ULTRALEATHER
- 1JM HOME THEATER SOUND SYSTEM
- 571 RADIO SPEAKERS
- 265 CODES/STANDARDS-CSA/CMVSS
- 1B1 CODES/STANDARDS USA



- 3 SEE WIRE ASM-CHASSIS ELECTRICAL BOX FOR ADDITIONAL INFORMATION.
2. SEE WIRING DIAGRAM-BODY, 12V FOR ADDITIONAL INFORMATION.
1. ALL WIRES TO BE CLAMPED WITH CLAMP 10495-01-000 OR WIRE TIE 8343-02-000 EVERY 600MM, UNLESS OTHERWISE SPECIFIED.

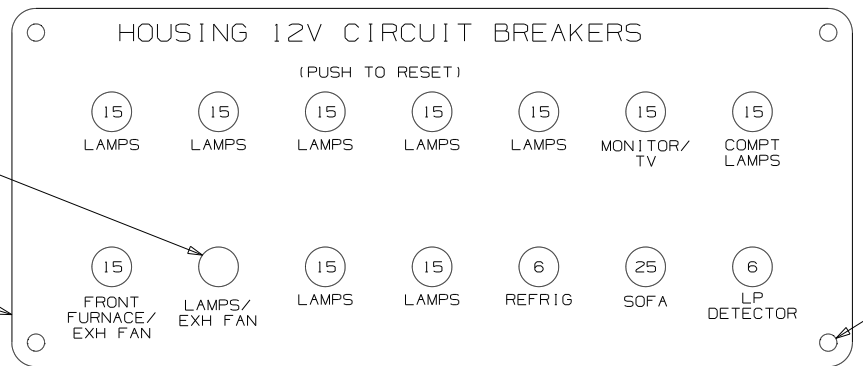
NOTES:

FOR ELECTRICAL TORQUE SPECIFICATIONS SEE DWG NO. 128783-01-000

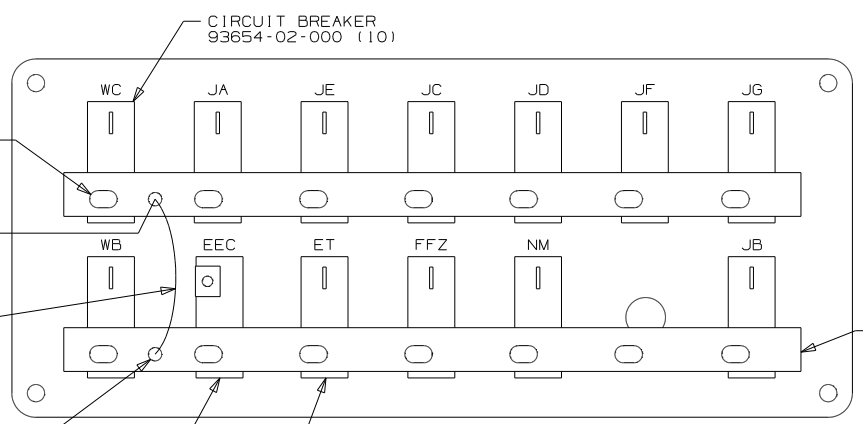
X-X FOR ELECTRICAL CALLOUTS SEE DWG NO. 121339-01-000

- 265 CODES/STANDARDS-CSA/CMVSS
- 1B1 CODES/STANDARDS USA
- 1B1 265

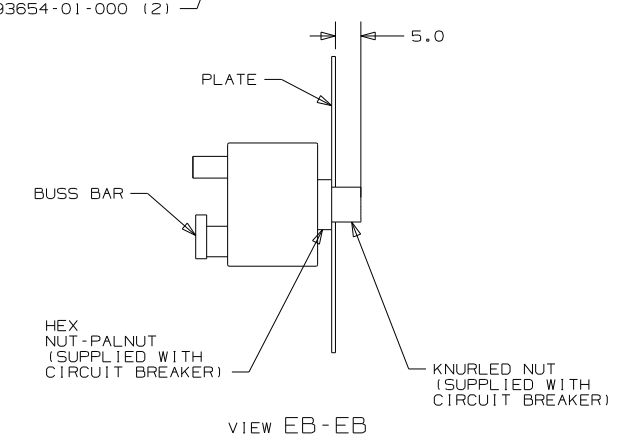
FIRST USED	10 J35Z
TITLE:	DO NOT SCALE DRAWING
WIRING INSTL-BODY, 12V	
SHEET 4	PART NO 172889 REV



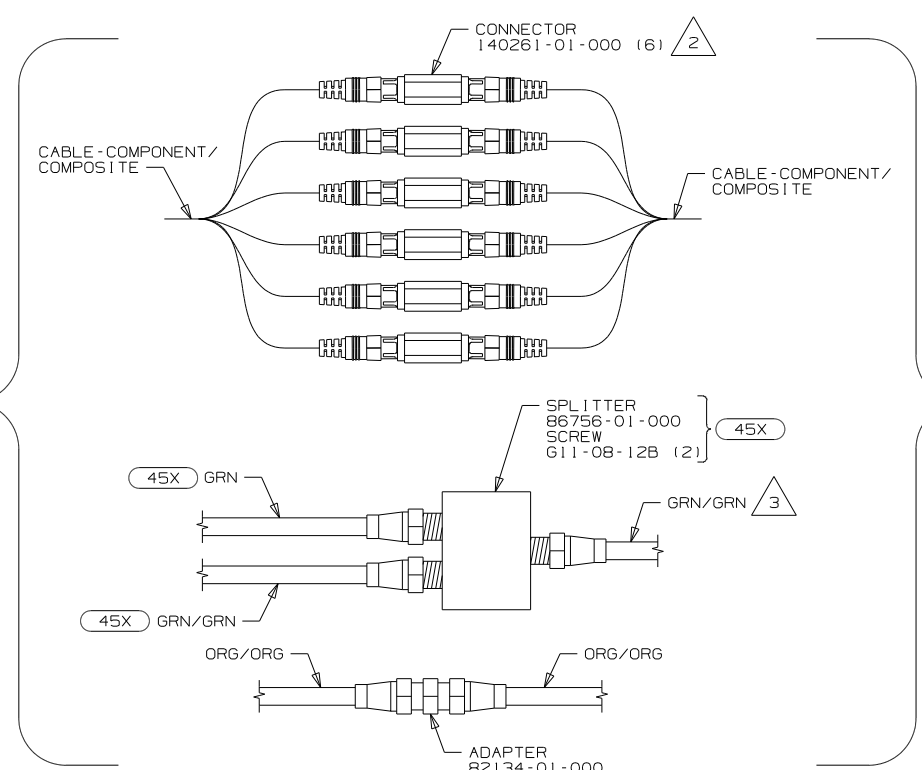
DETAIL EA (FRONT VIEW)



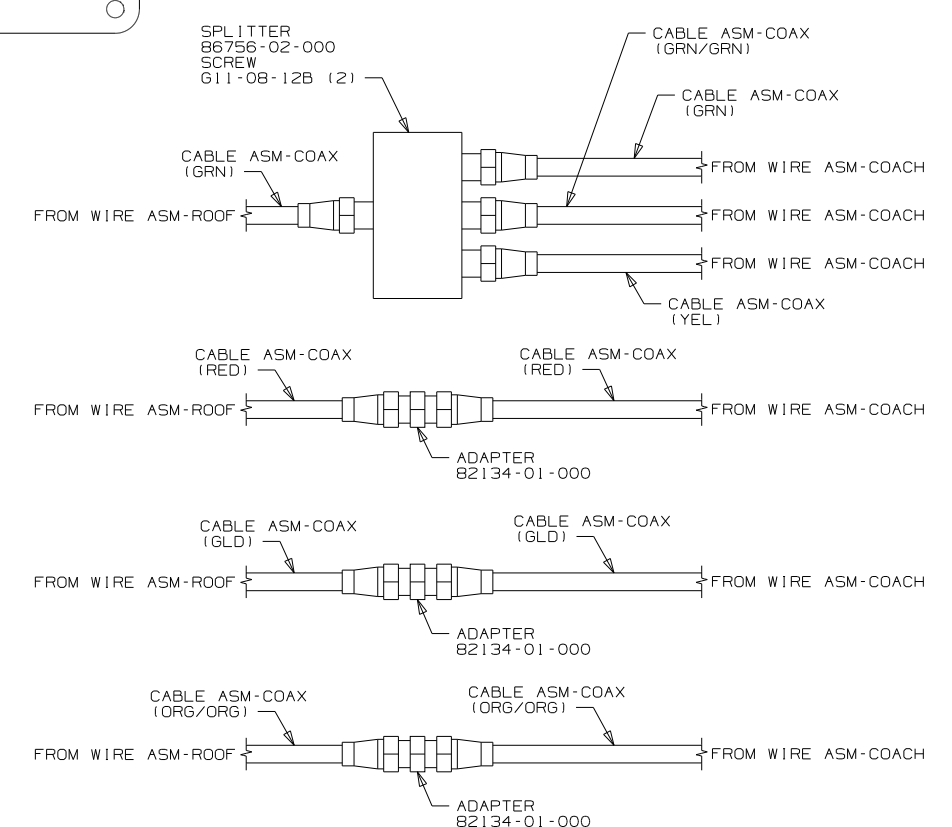
DETAIL EA (BACK VIEW)



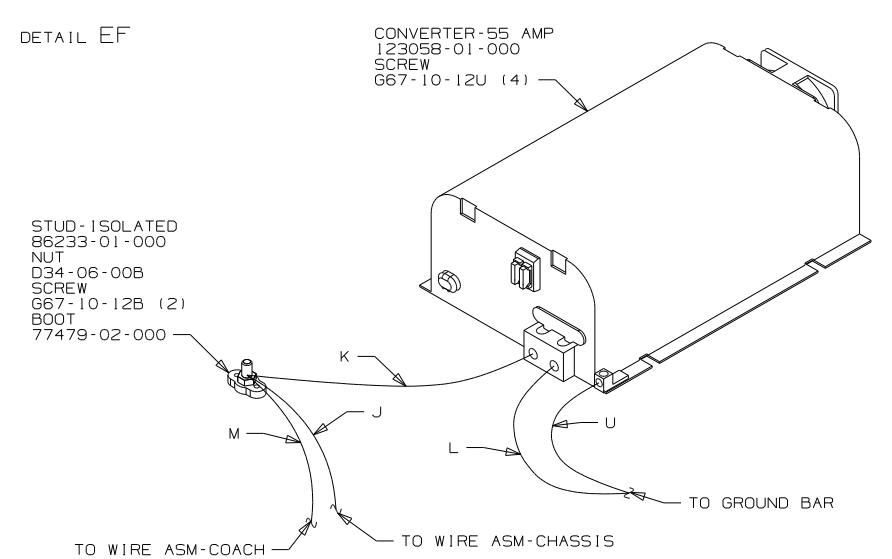
VIEW EB-EB



DETAIL EF



DETAIL ED



DETAIL EC

PLUG 81211-06-000
PLATE 139067-03-CHT LABEL 92547-12-000

SCREW G11-10-12U (4)

SCREW G52-06-04B (14)

M 6 BLK

M 8 BLK

SCREW G39-08-06B (2)

CIRCUIT BREAKER 93655-01-000

CIRCUIT BREAKER 93654-01-000 (2)

CIRCUIT BREAKER 93654-02-000 (10)

BUSS BAR 92786-06-000 (2)

SPLITTER 86756-02-000 SCREW G11-08-12B (2)

CABLE ASM-COAX (GRN/GRN)

CABLE ASM-COAX (GRN)

CABLE ASM-COAX (GRN)

CABLE ASM-COAX (YEL)

CABLE ASM-COAX (RED)

CABLE ASM-COAX (RED)

CABLE ASM-COAX (GLD)

CABLE ASM-COAX (GLD)

CABLE ASM-COAX (ORG/ORG)

CABLE ASM-COAX (ORG/ORG)

ADAPTER 82134-01-000

ADAPTER 82134-01-000

FOR ELECTRICAL TORQUE SPECIFICATIONS SEE DWG NO. 128783-01-000

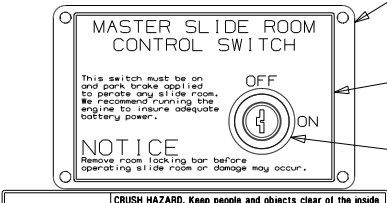
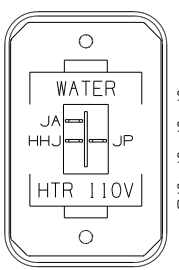
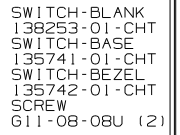
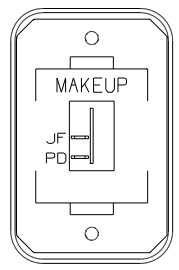
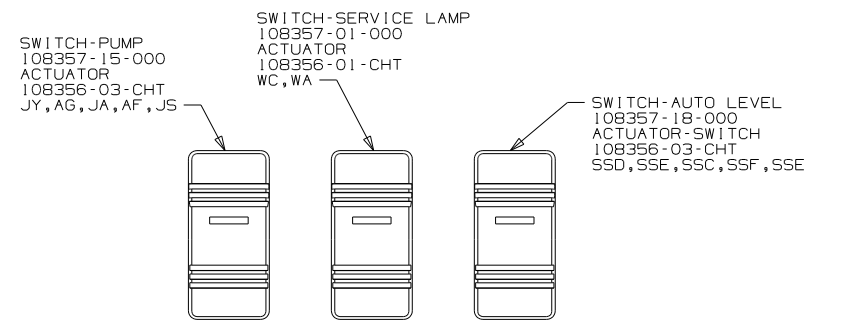
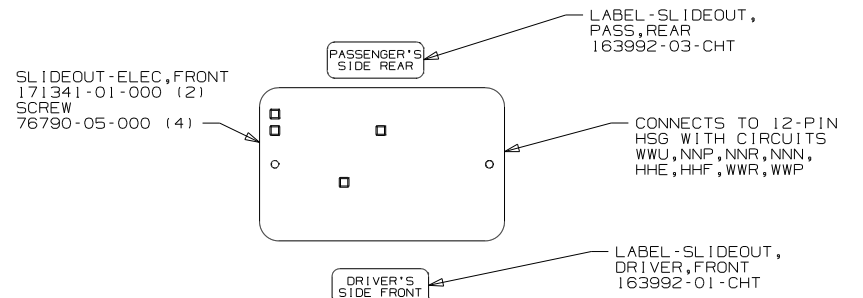
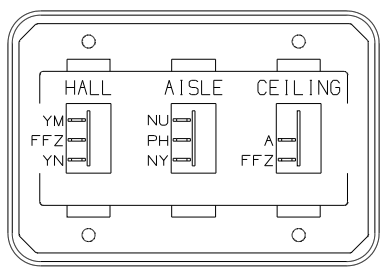
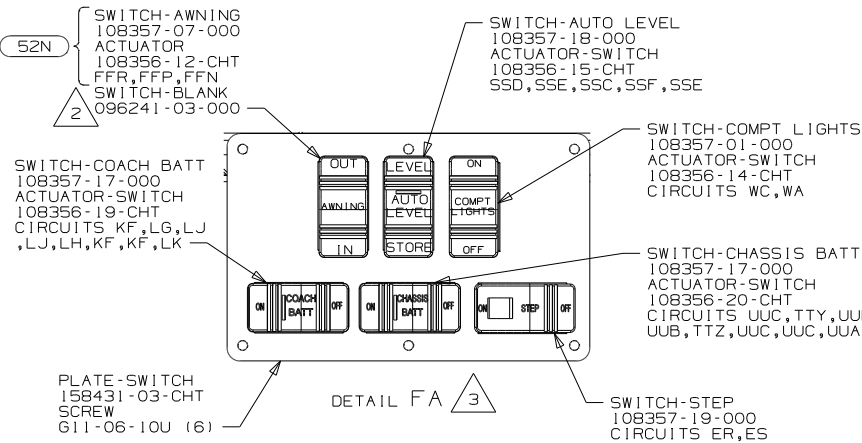
FOR ELECTRICAL CALLOUTS SEE DWG NO. 121339-01-000

- 3 GRN/GRN COAX IS NOT USED WITH 10X
- 2 WRAP BOTH ENDS WITH TAPE 8363-01-000 TO SECURE CONNECTION.

1. ALL WIRES TO BE CLAMPED WITH CLAMP 10495-01-000 OR WIRE TIE 8343-02-000 EVERY 600MM, UNLESS OTHERWISE SPECIFIED.

- 45X BED - BUNKS
- 10X SOFA (BEDROOM)
- 265 CODES/STANDARDS-CSA/CMVSS
- 1B1 CODES/STANDARDS-USA

FIRST USED	10 J35Z
TITLE	DO NOT SCALE DRAWING
	WIRING INSTL-BODY, 12V
SHEET 5	PART NO 172889 REV



DETAIL FB 3

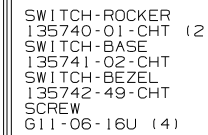
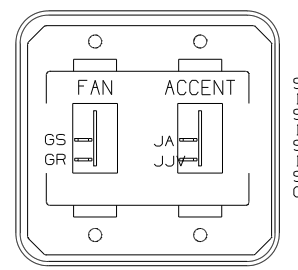
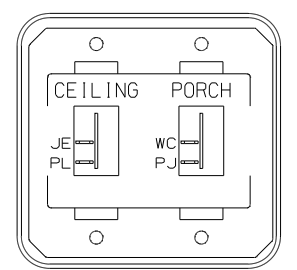
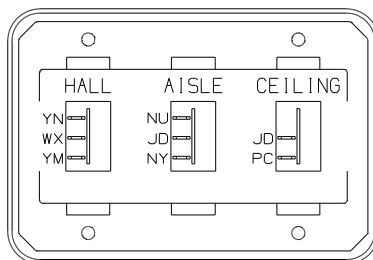
DETAIL FJ

DETAIL FK 4

DETAIL FK 1B2

DETAIL FR

LABEL-WARNING, SLIDEOUT 116549-01-000

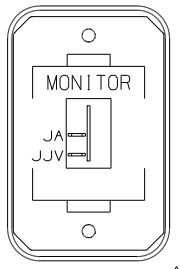
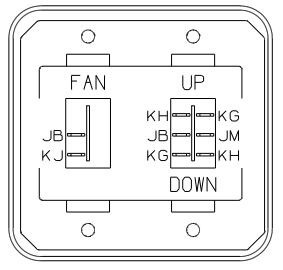
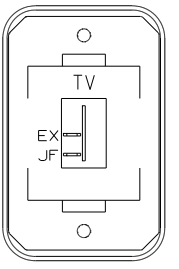
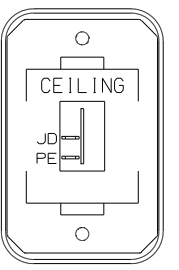


DETAIL FD

DETAIL FM

DETAIL FL 41M

DETAIL FH

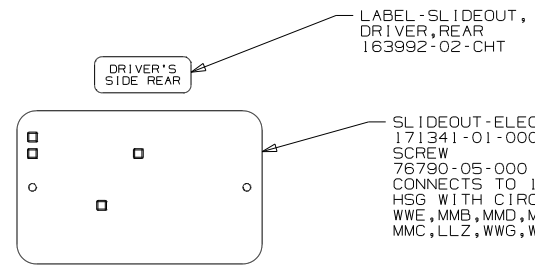


DETAIL FE

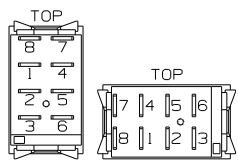
DETAIL FC 10C

DETAIL FN

DETAIL FL 5



DETAIL FF



DETAIL FP

- 5 WITHOUT 41M
- 4 WITHOUT 1B2 OR 53D
- 3 FOR SWITCH ORIENTATION SEE DETAIL FP.
- 2 WITHOUT 52N

NOTES:
1. SWITCHES ARE TO BE INSTALLED AS SHOWN ON THIS DRAWING.

FOR ELECTRICAL TORQUE SPECIFICATIONS SEE DWG NO. 128783-01-000

FOR ELECTRICAL CALLOUTS SEE DWG NO. 121339-01-000

- 53D WTR HTR-6GAL/ELE/LP/MOTORAID
- 41M VENT-POWER VENTILATOR
- 10C DVD PLAYERS(2)W/LCD MONITORS
- 52N AWNING - PATIO, ELECTRIC
- 1B2 WTR HTR-10GAL/ELEC/LP/MTRAID
- 265 CODES/STANDARDS-CSA/CMVSS
- 1B1 CODES/STANDARDS USA

FIRST USED	10 J35Z
DO NOT SCALE DRAWING	
TITLE:	WIRING INSTL-BODY, 12V
SHEET 6	PART NO 172889 REV

1JM
SPEAKER-ROUND, CEILING
160867-01-CHT (4)
SCREW
61208-12-170 (16)

LIGHT-HALOGEN
146048-01-000
SCREW
(SUPPLIED WITH LIGHT)

HAL-4
14

SATELLITE
ELEVATION
SENSOR
DETAIL HD

LSH-3

LOS3

LF1-3
5

WASHER-PLASTIC
87080-02-CHT (5)
SCREW
611-08-08B (10)

1
LAMP
86280-01-000
SCREW
667-10-12U (4)
CONNECTOR
58028-01-000 (2)
WASHER-PLASTIC
87080-02-CHT

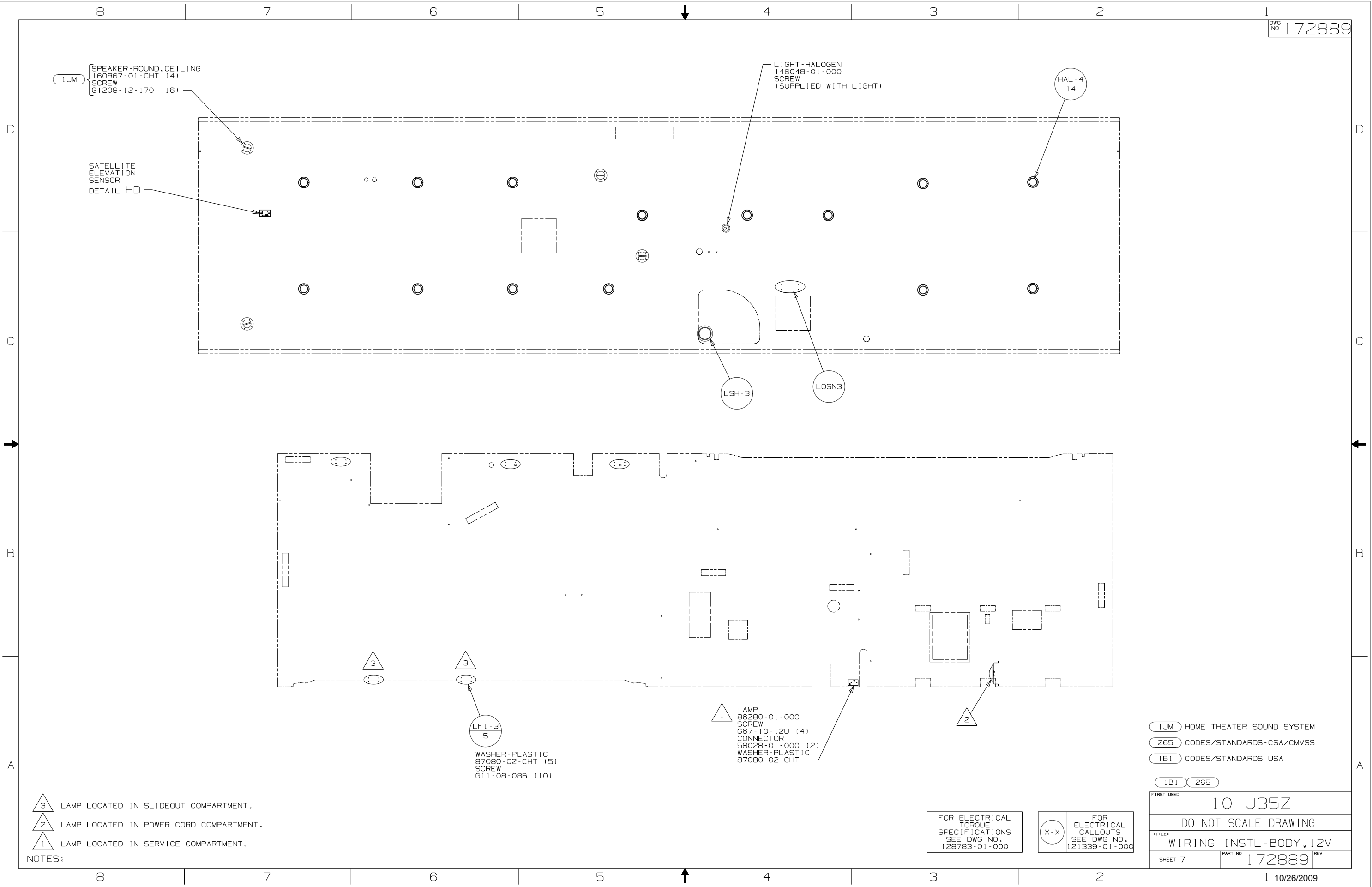
FOR ELECTRICAL
TORQUE
SPECIFICATIONS
SEE DWG NO.
128783-01-000

X-X
FOR
ELECTRICAL
CALLOUTS
SEE DWG NO.
121339-01-000

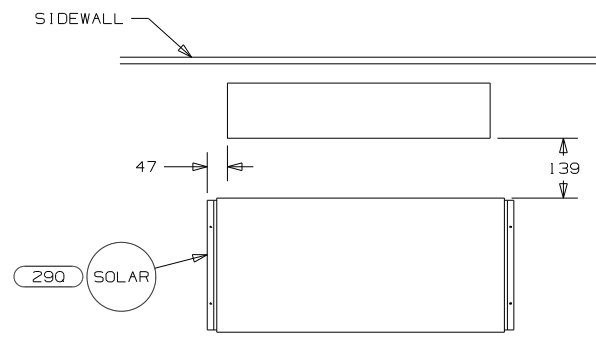
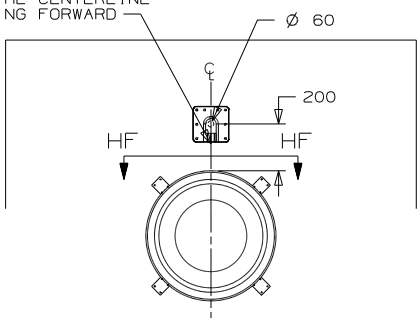
1JM HOME THEATER SOUND SYSTEM
265 CODES/STANDARDS-CSA/CMVSS
1B1 CODES/STANDARDS USA

FIRST USED	10 J35Z
DO NOT SCALE DRAWING	
TITLE	WIRING INSTL-BODY, 12V
SHEET 7	PART NO 172889 REV

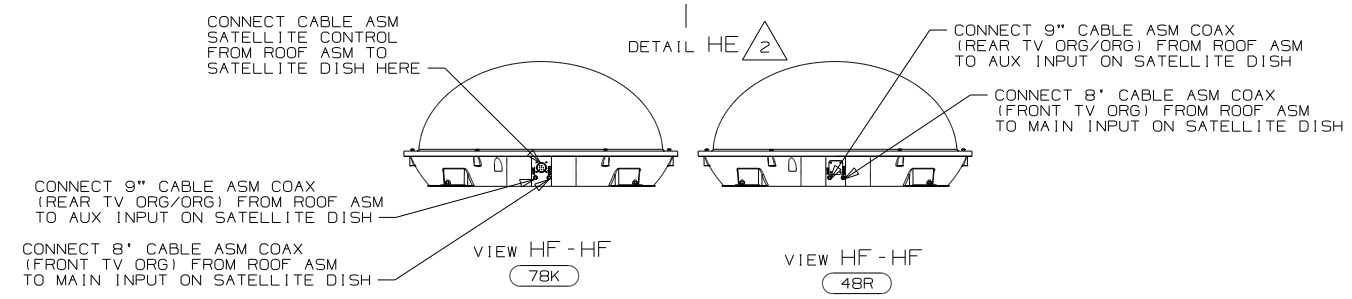
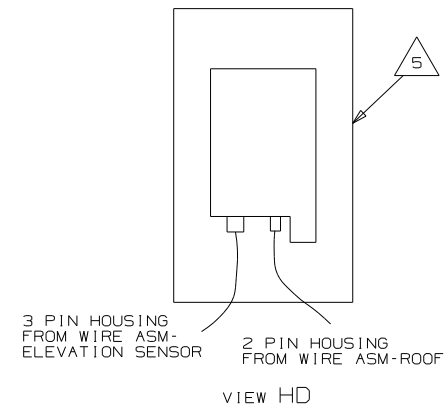
- NOTES:
- 3 LAMP LOCATED IN SLIDEOUT COMPARTMENT.
 - 2 LAMP LOCATED IN POWER CORD COMPARTMENT.
 - 1 LAMP LOCATED IN SERVICE COMPARTMENT.



THE SATELLITE DISH WIRE CONNECTIONS ARE TO BE PLACED ON THE CENTERLINE OF THE MOTORHOME FACING FORWARD



- 48R D1-2
DETAIL HE
- 78K DA-2
DETAIL HE
- 480 DM-2
DETAIL HD

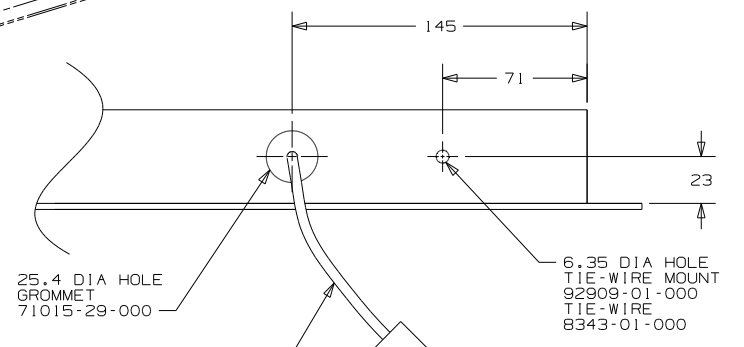


VIEW HB

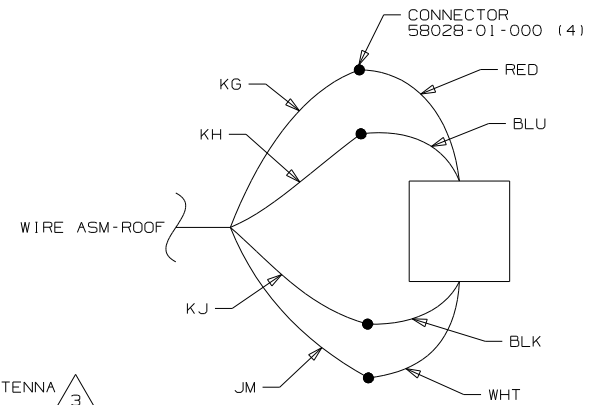
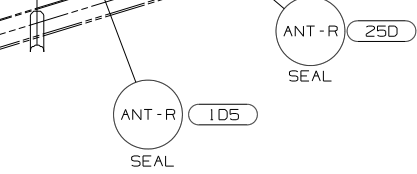


GALLEY VENT WIRING
DETAIL HH

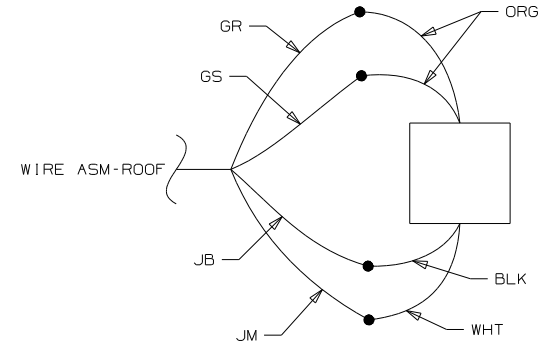
BATH VENT WIRING
DETAIL HG



VIEW HC



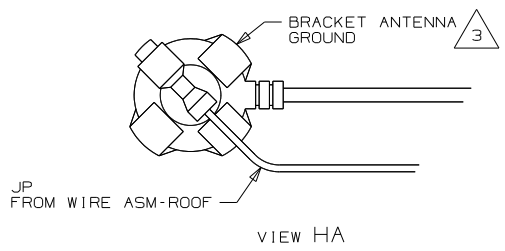
DETAIL HG



DETAIL HH 41M

- 290 SOLAR PANEL-10 WATT
- 48R SAT TV SYSTEM IN-MOTION
- 41M VENT-POWER VENTILATOR
- 250 STEREO SYSTEM/W/CD/DVD REAR
- 78K SATELLITE DISH-AUTOMATIC
- 480 SATELLITE DISH & ELEV.SENSOR
- 1D5 ENTERTAINMENT CENTR/EXT W/CD
- 265 CODES/STANDARDS-CSA/CMVSS
- 1B1 CODES/STANDARDS USA

- NOTES:
- 5 SENSOR SUPPLIED WITH SATELLITE ASSEMBLY.
 - 4 FASTEN TO VENT.
 - 3 WRAP BRACKET LEGS AROUND ANTENNA BASE.
 - 2 REMOVE ALL SHIPPING RESTRAINTS AND FIRMLY INSERT THE SUPPLIED PLUGS INTO THE APPROPRIATE SIZED HOLES AS SPECIFIED IN THE INSTALLATION PROCESS.
 - 1 SEE ANTENNA INSTALLATION MANUAL FOR CORRECT INSTALLATION PROCEDURE.

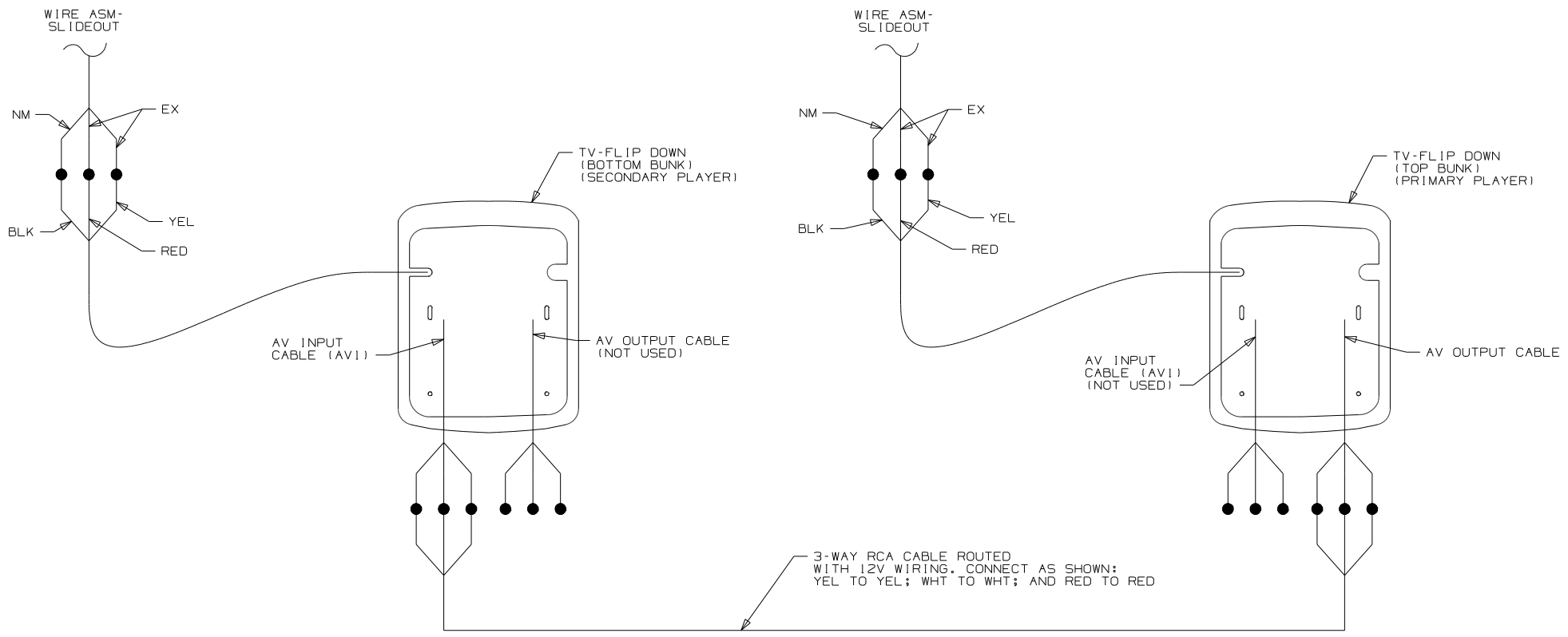


VIEW HA

FOR ELECTRICAL TORQUE SPECIFICATIONS SEE DWG NO. 128783-01-000

FOR ELECTRICAL CALLOUTS SEE DWG NO. 121339-01-000

FIRST USED	10 J35Z
DO NOT SCALE DRAWING	
TITLE:	WIRING INSTL-BODY, 12V
SHEET 8	PART NO 172889 REV



DETAIL JA

- NOTES:
1. ALL WIRES TO BE SECURED WITH CLAMP 10495 OR 10497 OR WIRE TIE 8343 OR 104046 EVERY 600MM, USE SCREW G64-XX-XXX OR G56-XX-XXX AS APPROPRIATE FOR INSTALLATION.
 2. REMOTE IR RECEIVER SUPPLIED WITH DVD PLAYER, TO BE MOUNTED IN BOTTOM BUNK.
 3. REMOVE SHIPPING RESTRAINT SCREWS FROM DVD PLAYER.

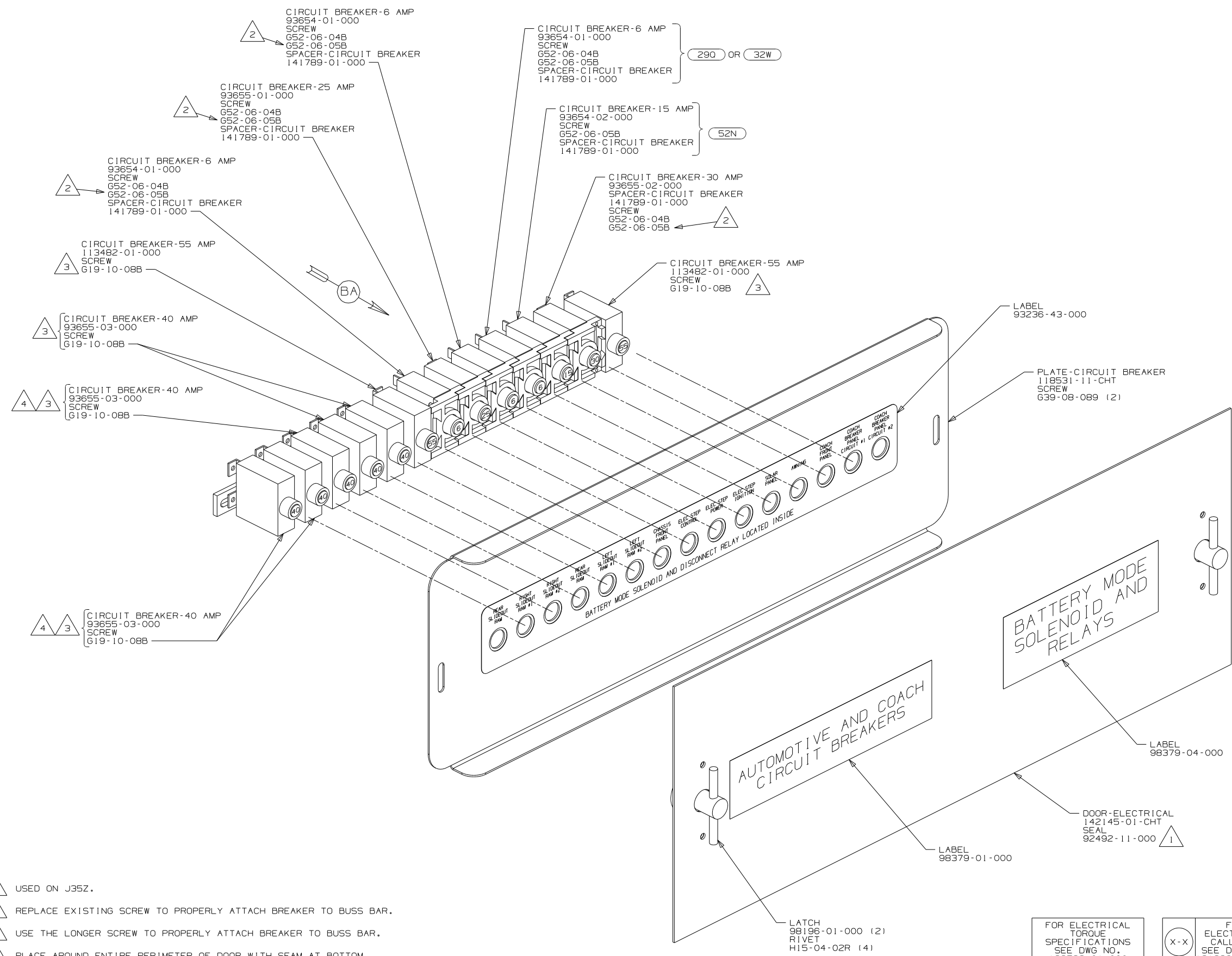
FOR ELECTRICAL TORQUE SPECIFICATIONS SEE DWG NO. 128783-01-000

FOR ELECTRICAL CALLOUTS SEE DWG NO. 121339-01-000

- 10C DVD PLAYERS (2) W/LCD MONITORS
- 265 CODES/STANDARDS - CSA/CMVSS
- 1B1 CODES/STANDARDS USA

1B1 265 10C

FIRST USED	10 J35Z
DO NOT SCALE DRAWING	
TITLE:	WIRING INSTL - BODY, 12V
SHEET 9	PART NO 172889 REV



- NOTES:
- 4 USED ON J35Z.
 - 3 REPLACE EXISTING SCREW TO PROPERLY ATTACH BREAKER TO BUSS BAR.
 - 2 USE THE LONGER SCREW TO PROPERLY ATTACH BREAKER TO BUSS BAR.
 - 1 PLACE AROUND ENTIRE PERIMETER OF DOOR WITH SEAM AT BOTTOM.

- 32W GENERATOR-START, AUTO SYSTEM
- 52N AWNING - PATIO, ELECTRIC
- 290 SOLAR PANEL - 10 WATT
- 1D2 SLIDEOUT ROOM-REAR RIGHTHAND
- 092 SLIDEOUT ROOM - FRONT RIGHT
- 09L SLIDEOUT ROOM FRONT LEFT
- 265 CODES/STANDARDS-CSA/CMVSS
- 1B1 CODES/STANDARDS USA

WINNEBAGO		COPYRIGHT 2010 WINNEBAGO INDUSTRIES, INC.	
DFTR	ORIG. DATE	ALL DIMENSIONS ARE IN MILLIMETERS	
CHKR		FIRST USED	
P.E.		10 J-SERIES	
M.E.		UNSPECIFIED TOLERANCES ARE:	
DSNR		MATERIAL:	
		WHOLE DIM (X) :	
		ONE-PLACE (X.X) :	
		TWO-PLACE (X.XX) :	
		ANGLE :	
		THIRD ANGLE PROJECTION	
DO NOT SCALE DRAWING			
TITLE: CHASSIS ELECTRICAL BOX ASM			
SHEET 1 of 2	PART NO	173446	REV
REF :	1 6/8/2010		

FOR ELECTRICAL TORQUE SPECIFICATIONS SEE DWG NO. 128783-01-000

X-X FOR ELECTRICAL CALLOUTS SEE DWG NO. 121339-01-000

LATCH 98196-01-000 (2)
RIVET H15-04-02R (4)

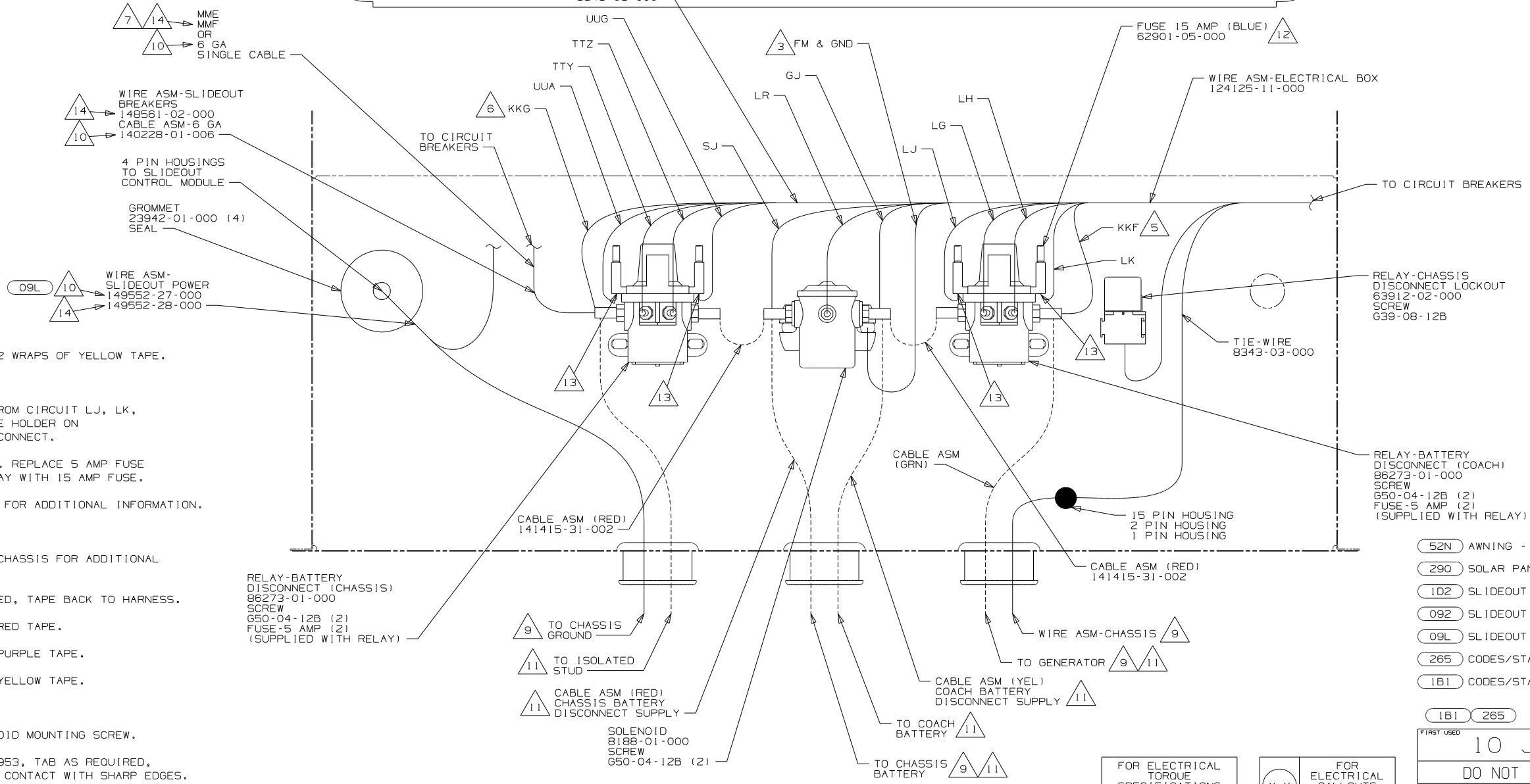
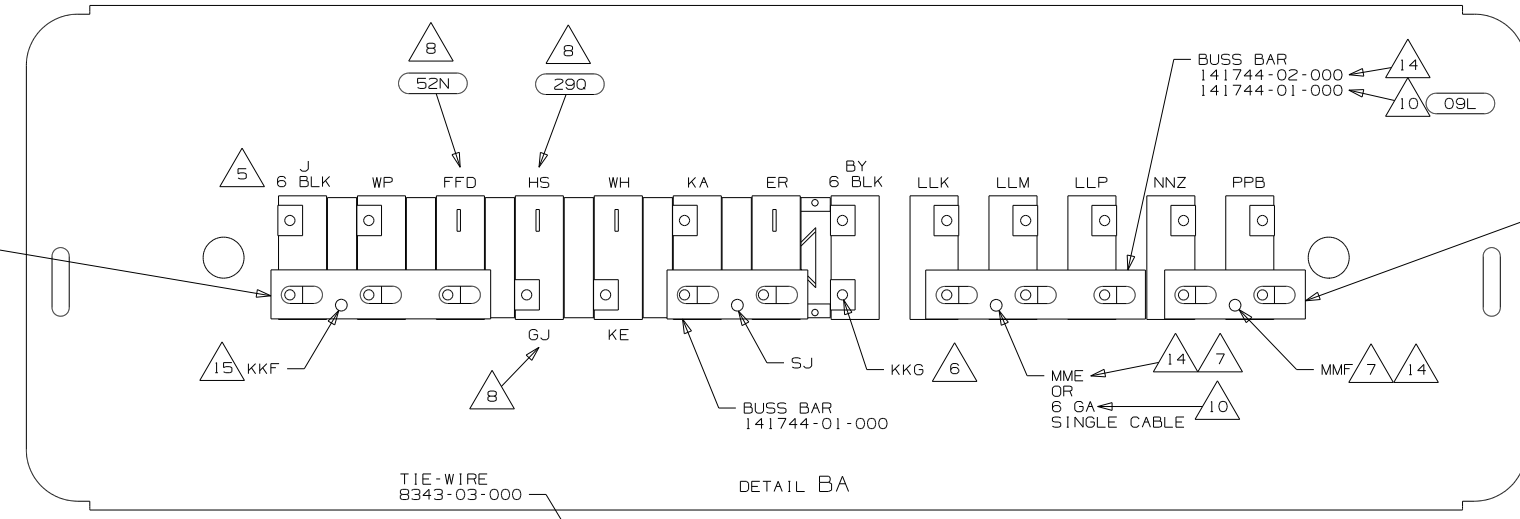
DOOR-ELECTRICAL 142145-01-CHT SEAL 92492-11-000 1

LABEL 98379-01-000

LABEL 98379-04-000

BATTERY MODE SOLENOID AND RELAYS

AUTOMOTIVE AND COACH CIRCUIT BREAKERS



- 15 WIRE MARKED WITH 2 WRAPS OF YELLOW TAPE.
- 14 USED ON J35Z.
- 13 INSERT TERMINAL FROM CIRCUIT LJ, LK, UUA, UUG INTO FUSE HOLDER ON RELAY-BATTERY DISCONNECT.
- 12 USED ON J33S ONLY. REPLACE 5 AMP FUSE SUPPLIED WITH RELAY WITH 15 AMP FUSE.
- 11 SEE BATTERY INSTL FOR ADDITIONAL INFORMATION.
- 10 USED ON J33S.
- 9 SEE WIRING INSTL-CHASSIS FOR ADDITIONAL INFORMATION.
- 8 IF CIRCUIT NOT USED, TAPE BACK TO HARNESS.
- 7 WIRE MARKED WITH RED TAPE.
- 6 WIRE MARKED WITH PURPLE TAPE.
- 5 WIRE MARKED WITH YELLOW TAPE.
- 4 WITHOUT 52N
- 3 SECURE WITH SOLENOID MOUNTING SCREW.

2. SECURE CONDUIT 41953, TAB AS REQUIRED, OVER ALL WIRES IN CONTACT WITH SHARP EDGES.

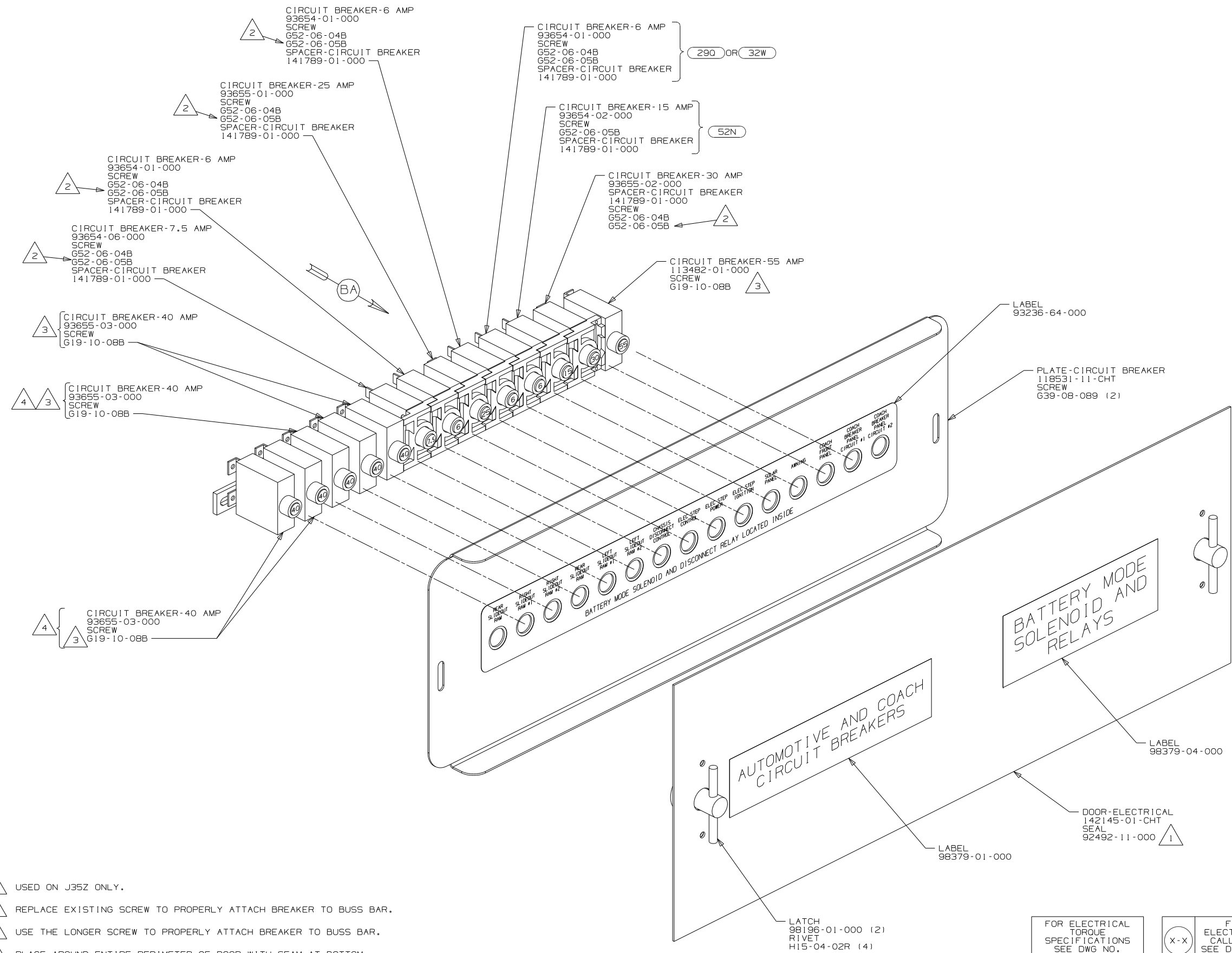
1. LEGEND: — WINNEBAGO; - - - - - CABLE; - - - - - CHASSIS SUPPLIED WIRING.

- 52N AWNING - PATIO, ELECTRIC
- 290 SOLAR PANEL-10 WATT
- 102 SLIDEOUT ROOM-REAR Righthand
- 092 SLIDEOUT ROOM - FRONT RIGHT
- 09L SLIDEOUT ROOM FRONT LEFT
- 265 CODES/STANDARDS-CSA/CMVSS
- 1B1 CODES/STANDARDS USA

FIRST USED	
10 J-SERIES	
DO NOT SCALE DRAWING	
TITLE:	
CHASSIS ELECTRICAL BOX ASM	
SHEET 2	PART NO 173446 REV

FOR ELECTRICAL TORQUE SPECIFICATIONS SEE DWG NO. 128783-01-000

FOR ELECTRICAL CALLOUTS SEE DWG NO. 121339-01-000



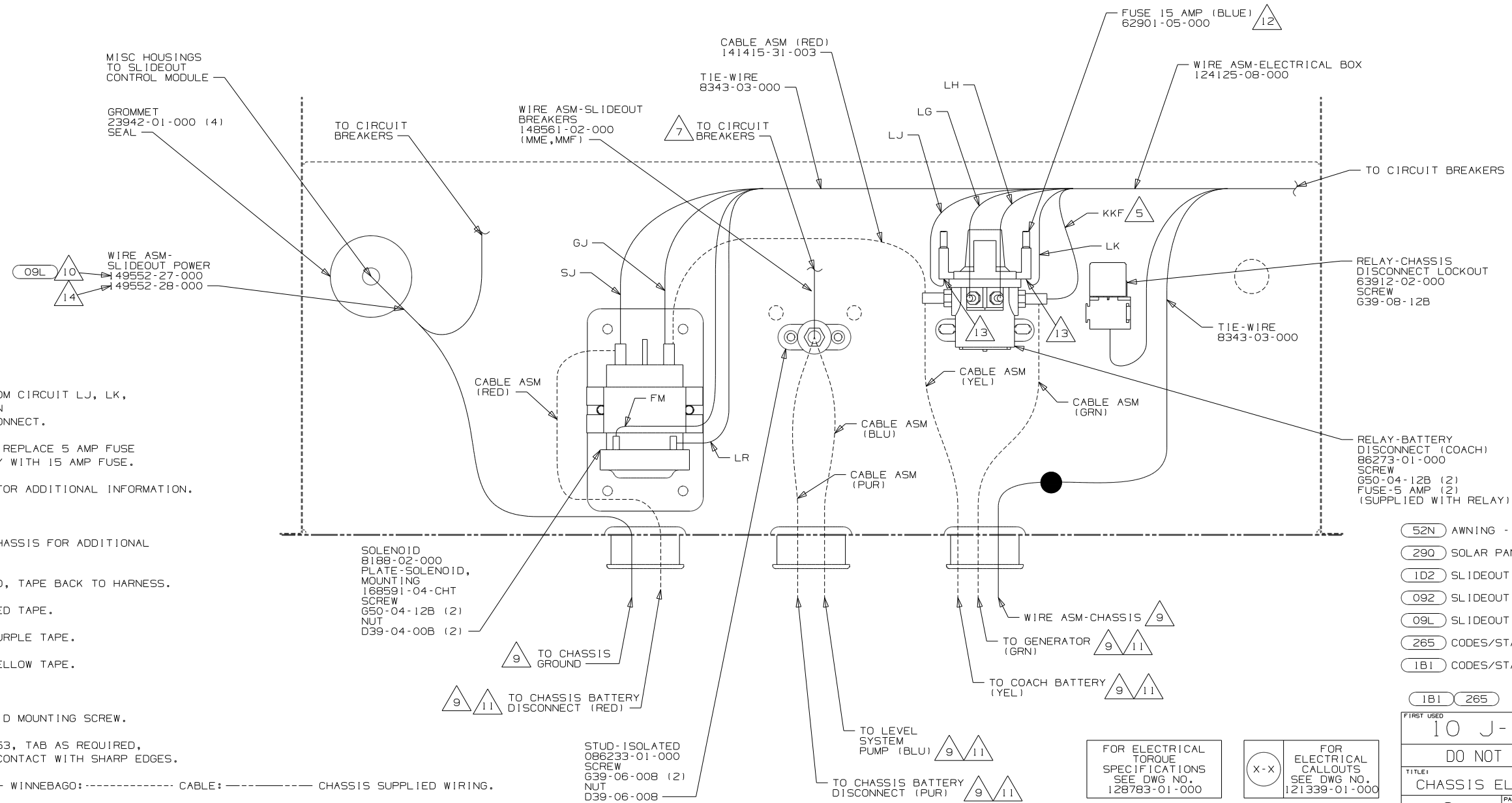
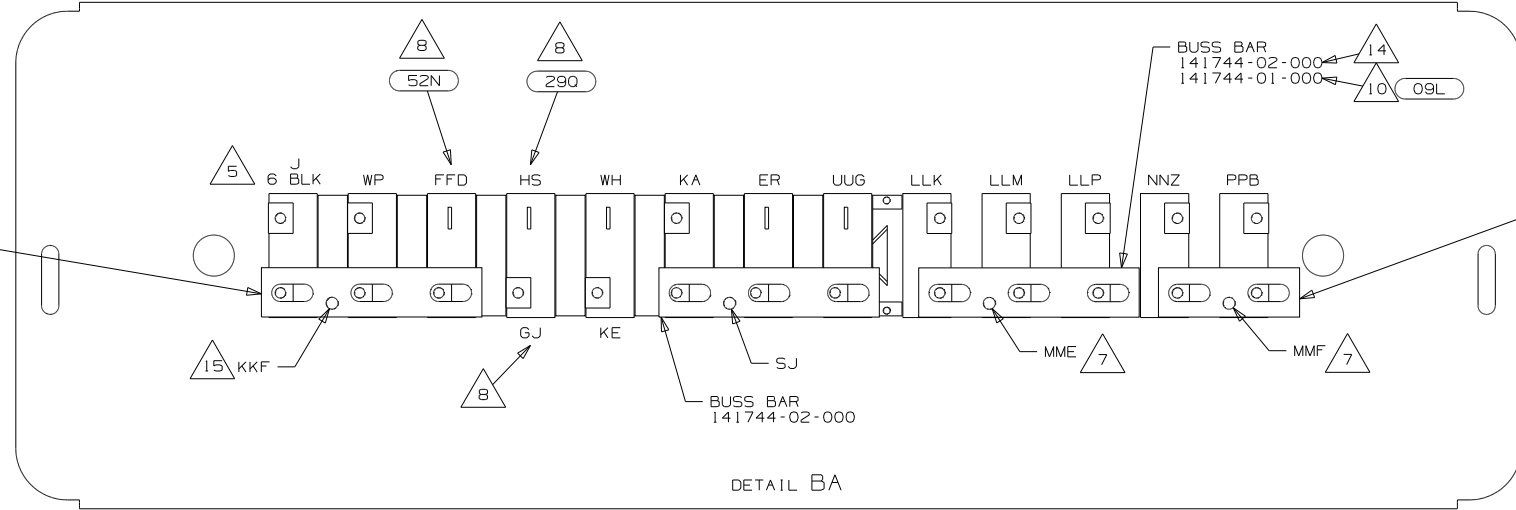
- (32W) GENERATOR-START, AUTO SYSTEM
- (52N) AWNING - PATIO, ELECTRIC
- (290) SOLAR PANEL - 10 WATT
- (1D2) SLIDEOUT ROOM-REAR RIGHTHAND
- (092) SLIDEOUT ROOM - FRONT RIGHT
- (09L) SLIDEOUT ROOM FRONT LEFT
- (265) CODES/STANDARDS-CSA/CMVSS
- (1B1) CODES/STANDARDS USA

WINNEBAGO		COPYRIGHT 2009 WINNEBAGO INDUSTRIES, INC.	
DFTR	ORIG. DATE		
CHKR	ALL DIMENSIONS ARE IN MILLIMETERS		
P.E.	FIRST USED		
M.E.	10 J-SERIES FL		
DSNR			
UNSPECIFIED TOLERANCES ARE:		MATERIAL:	
WHOLE DIM (X)	:		
ONE-PLACE (X.X)	:		
TWO-PLACE (X.XX)	:		
ANGLE	:		
THIRD ANGLE PROJECTION			
DO NOT SCALE DRAWING			
TITLE: CHASSIS ELECTRICAL BOX ASM			
SHEET 1 OF 2	PART NO	172902	REV
REF:	1 8/19/2009		

- NOTES:
- 4 USED ON J35Z ONLY.
 - 3 REPLACE EXISTING SCREW TO PROPERLY ATTACH BREAKER TO BUSS BAR.
 - 2 USE THE LONGER SCREW TO PROPERLY ATTACH BREAKER TO BUSS BAR.
 - 1 PLACE AROUND ENTIRE PERIMETER OF DOOR WITH SEAM AT BOTTOM.

FOR ELECTRICAL TORQUE SPECIFICATIONS SEE DWG NO. 128783-01-000

(X-X) FOR ELECTRICAL CALLOUTS SEE DWG NO. 121339-01-000



- 14 USED ON J35Z ONLY.
- 13 INSERT TERMINAL FROM CIRCUIT LJ, LK, INTO FUSE HOLDER ON RELAY-BATTERY DISCONNECT.
- 12 USED ON J33S ONLY. REPLACE 5 AMP FUSE SUPPLIED WITH RELAY WITH 15 AMP FUSE.
- 11 SEE BATTERY INSTL FOR ADDITIONAL INFORMATION.
- 10 USED ON J33S.
- 9 SEE WIRING INSTL-CHASSIS FOR ADDITIONAL INFORMATION.
- 8 IF CIRCUIT NOT USED, TAPE BACK TO HARNESS.
- 7 WIRE MARKED WITH RED TAPE.
- 6 WIRE MARKED WITH PURPLE TAPE.
- 5 WIRE MARKED WITH YELLOW TAPE.
- 4 WITHOUT (52N)
- 3 SECURE WITH SOLENOID MOUNTING SCREW.

2. SECURE CONDUIT 41953, TAB AS REQUIRED, OVER ALL WIRES IN CONTACT WITH SHARP EDGES.

1. LEGEND: — WINNEBAGO: - - - - - CABLE: - - - - - CHASSIS SUPPLIED WIRING.

NOTES:

- (52N) AWNING - PATIO, ELECTRIC
- (290) SOLAR PANEL-10 WATT
- (1D2) SLIDEOUT ROOM-REAR RIGHTHAND
- (092) SLIDEOUT ROOM - FRONT RIGHT
- (09L) SLIDEOUT ROOM FRONT LEFT
- (265) CODES/STANDARDS-CSA/CMVSS
- (1B1) CODES/STANDARDS USA

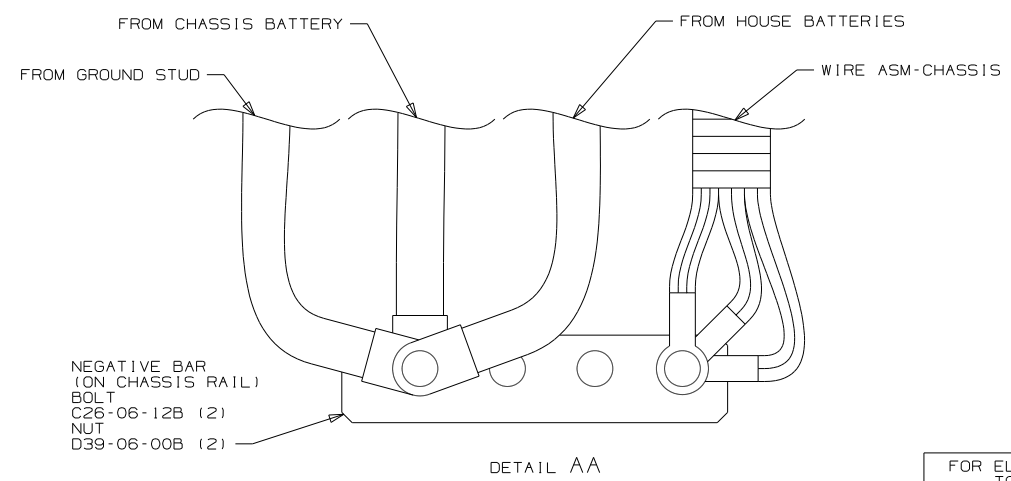
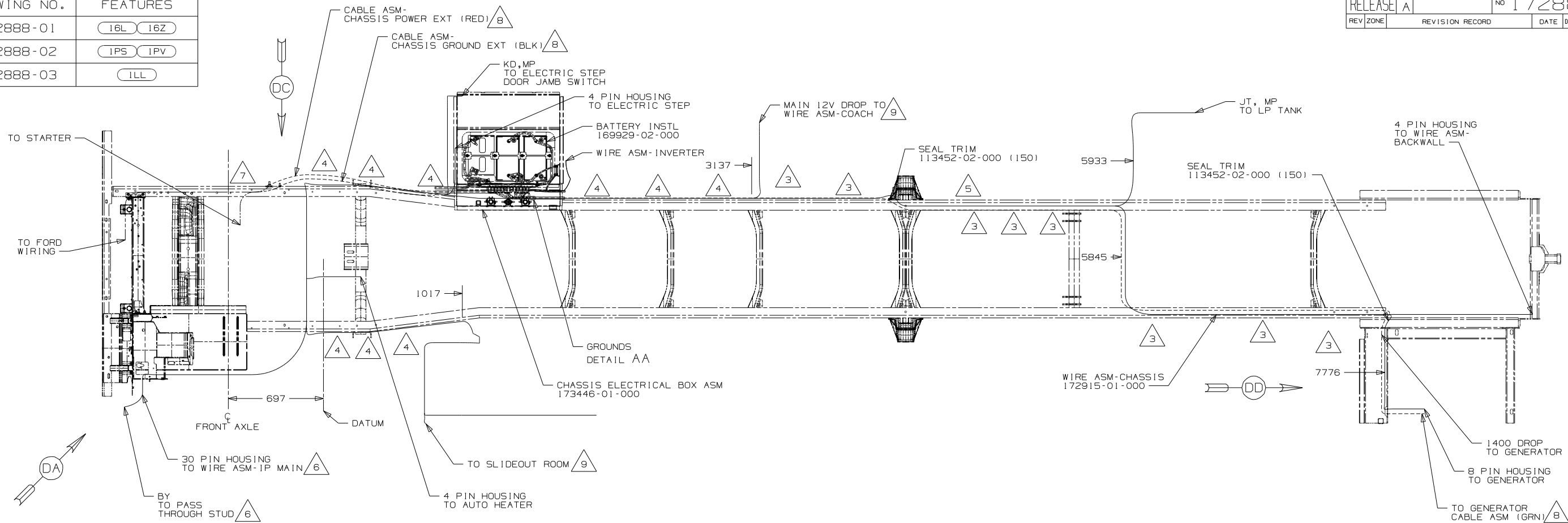
FIRST USED	
10 J-SERIES FL	
DO NOT SCALE DRAWING	
TITLE:	
CHASSIS ELECTRICAL BOX ASM	
SHEET 2	PART NO 172902 REV

FOR ELECTRICAL TORQUE SPECIFICATIONS SEE DWG NO. 128783-01-000

FOR ELECTRICAL CALLOUTS SEE DWG NO. 121339-01-000

DRAWING NO.	FEATURES
172888-01	16L 16Z
172888-02	1PS 1PV
172888-03	ILL

RELEASE	REV DATE	DWG NO	172888
REV ZONE	REVISION RECORD	DATE	DTR-ORIG



- 1LL FRTL (FRED) 27K-300HP 22.5 TIRE
- 1PV WORKHORSE 24,000#-22.5 TIRE
- 1PS WORKHORSE 22,000#-22.5 TIRE
- 16Z FORD 24,000#-22.5 ALUM WHEEL
- 16L FORD 22,000#-22.5 AL WHL
- 265 CODES/STANDARDS-CSA/CMVSS
- 1B1 CODES/STANDARDS USA

- 9 SEE WIRE ASM-CHASSIS FOR ADDITIONAL INFORMATION.
- 8 SEE BATTERY INSTL FOR ADDITIONAL INFORMATION.
- 7 SECURE SO WIRES DO NOT CONTACT EXHAUST.
- 6 SEE WIRING INSTL-FRONT END FOR ADDITIONAL INFORMATION.
- 5 ROUTE WIRES & CABLE INSIDE CHASSIS RAIL AT THIS POINT AND TO THE REAR.
- 4 CLAMP 83610-02-000, SCREW G39-08-12B.
- 3 CLAMP 83610-01-000, SCREW G39-08-12B.

2. SECURE CONDUIT 41953, TAB AS REQUIRED, OVER ALL WIRES IN CONTACT WITH SHARP EDGES.

1. LEGEND: — WINNEBAGO: - - - - - CABLE: - - - - - CHASSIS SUPPLIED WIRING.

NOTES:

FOR ELECTRICAL TORQUE SPECIFICATIONS SEE DWG NO. 128783-01-000

X-X FOR ELECTRICAL CALLOUTS SEE DWG NO. 121339-01-000

1B1 265 16L 16Z

WINNEBAGO COPYRIGHT 2009 WINNEBAGO INDUSTRIES, INC.

DTR	ORIG. DATE
CHKR	ALL DIMENSIONS ARE IN MILLIMETERS
P.E.	
M.E.	FIRST USED
DSNR	10 J35Z

UNSPECIFIED TOLERANCES ARE: MATERIAL:

WHOLE DIM (X) : 1

ONE-PLACE (X.X) : 1

TWO-PLACE (X.XX) : 1

ANGLE : 1

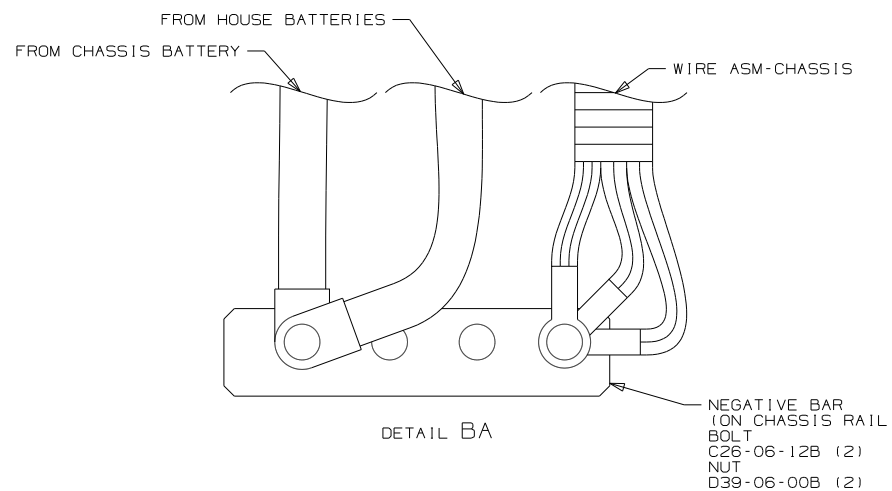
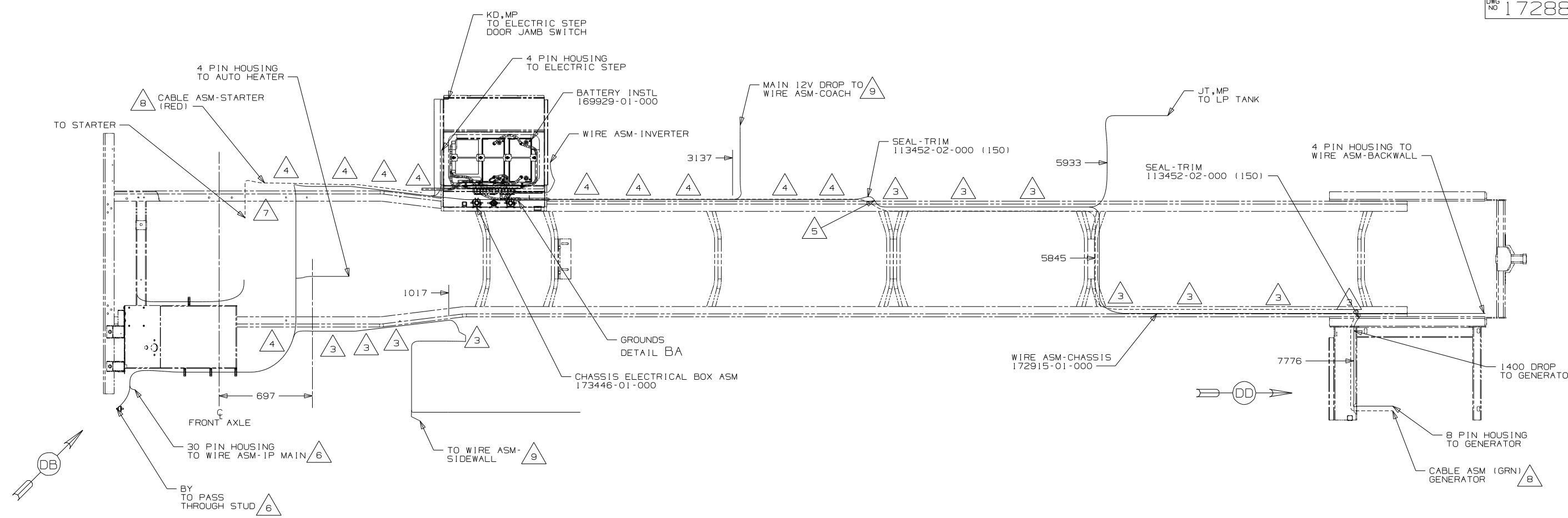
THIRD ANGLE PROJECTION

DO NOT SCALE DRAWING

TITLE: WIRING INSTL-CHASSIS

SHEET 1 OF 5 PART NO 172888 REV

REF: 1 9/24/2009



- 9 SEE WIRE ASM-CHASSIS FOR ADDITIONAL INFORMATION.
- 8 SEE BATTERY INSTL FOR ADDITIONAL INFORMATION.
- 7 SECURE SO WIRES DO NOT CONTACT EXHAUST.
- 6 SEE WIRING INSTL-FRONT END FOR ADDITIONAL INFORMATION.
- 5 ROUTE WIRES & CABLE INSIDE CHASSIS RAIL AT THIS POINT AND TO THE REAR.
- 4 CLAMP 83610-03-000, SCREW G39-08-12B.
- 3 CLAMP 83610-01-000, SCREW G39-08-12B.

2. SECURE CONDUIT 41953-09, -10, -11, -13, AND -14 OVER ALL WIRES IN CONTACT WITH SHARP EDGES.

1. LEGEND: — WINNEBAGO: - - - - - CABLE: - - - - - CHASSIS SUPPLIED WIRING.

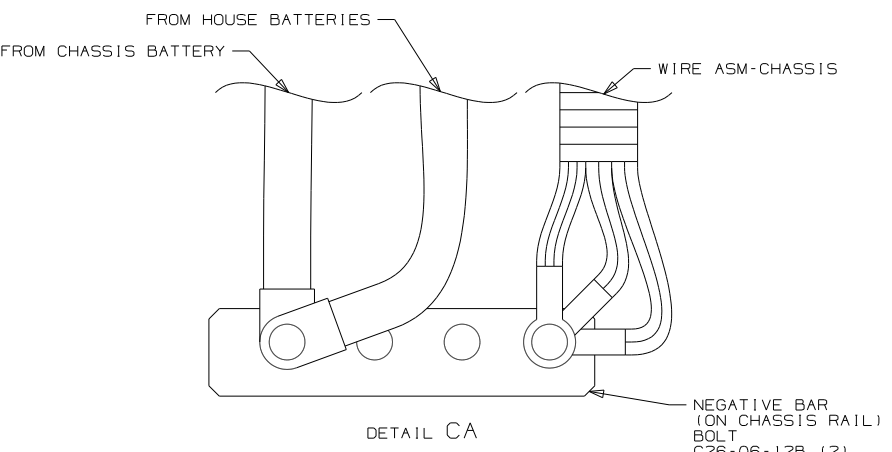
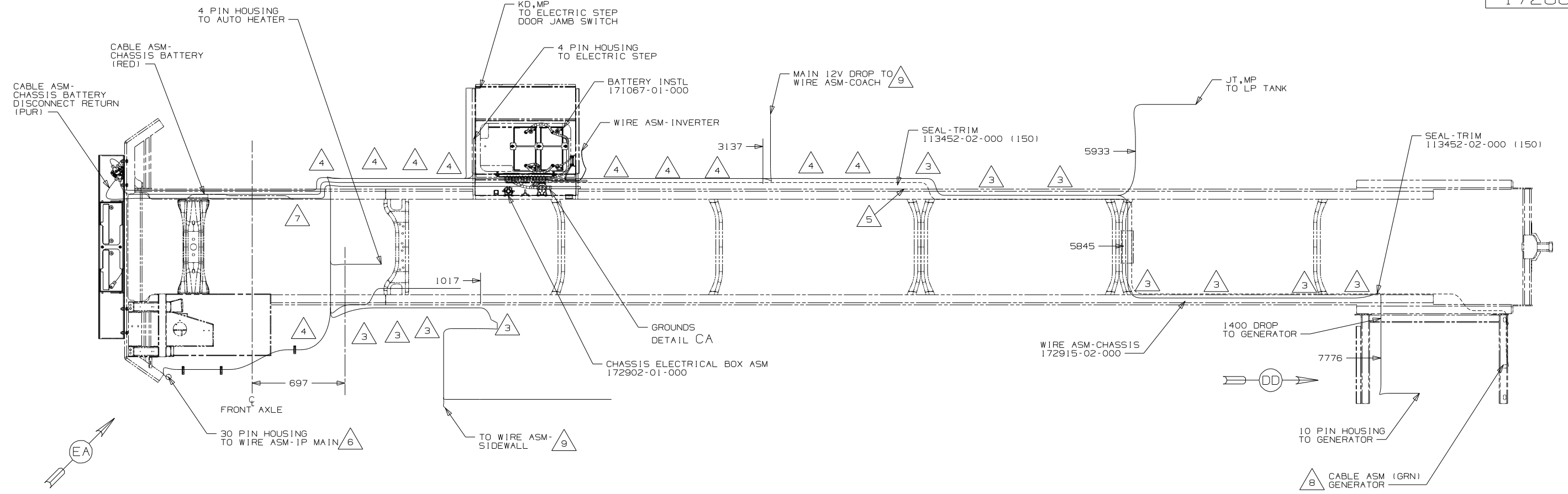
NOTES:

FOR ELECTRICAL TORQUE SPECIFICATIONS SEE DWG NO. 128783-01-000

FOR ELECTRICAL CALLOUTS SEE DWG NO. 121339-01-000

- IPV WORKHORSE 24,000#-22.5 TIRE
- IPS WORKHORSE 22,000#-22.5 TIRE
- 265 CODES/STANDARDS-CSA/CMVSS
- 1B1 CODES/STANDARDS USA

FIRST USED	10 J35Z	
TITLE:	DO NOT SCALE DRAWING	
	WIRING INSTL-CHASSIS	
SHEET 2	PART NO	172888
	REV	



- 9 SEE WIRE ASM-CHASSIS FOR ADDITIONAL INFORMATION.
- 8 SEE BATTERY INSTL FOR ADDITIONAL INFORMATION.
- 7 SECURE SO WIRES DO NOT CONTACT EXHAUST.
- 6 SEE WIRING INSTL-FRONT END FOR ADDITIONAL INFORMATION.
- 5 ROUTE WIRES & CABLE INSIDE CHASSIS RAIL AT THIS POINT AND TO THE REAR.
- 4 CLAMP 83610-03-000, SCREW G39-08-12B.
- 3 CLAMP 83610-01-000, SCREW G39-08-12B.

2. SECURE CONDUIT 41953-09, -10, -11, -13, AND -14 OVER ALL WIRES IN CONTACT WITH SHARP EDGES.

1. LEGEND: — WINNEBAGO: - - - - - CABLE: - - - - - CHASSIS SUPPLIED WIRING.

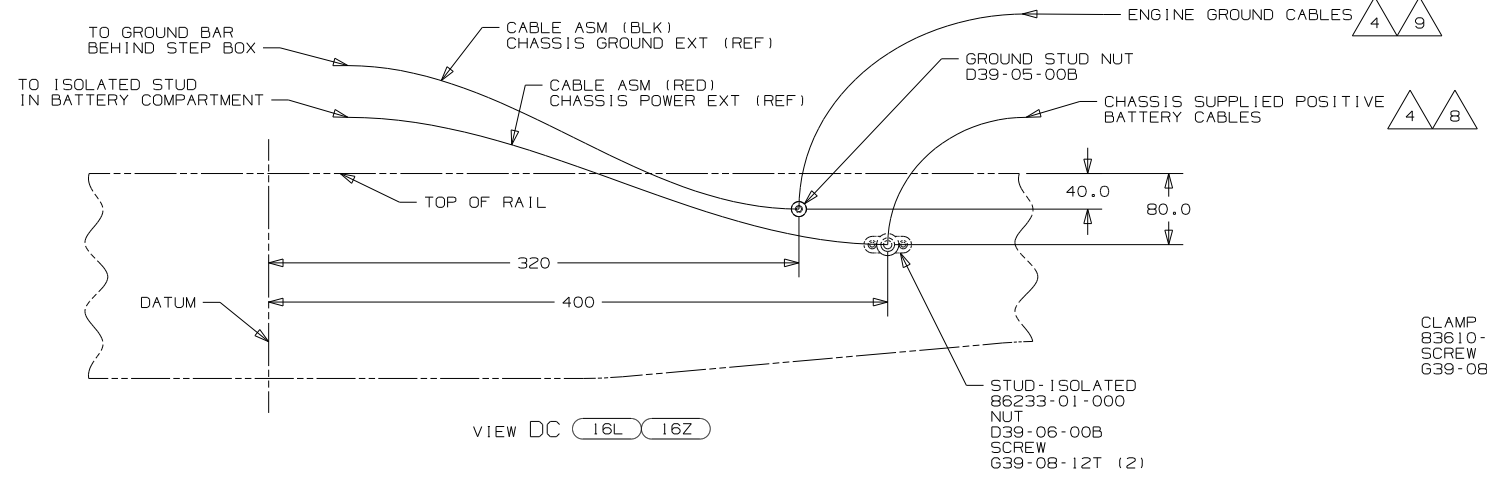
NOTES:

FOR ELECTRICAL TORQUE SPECIFICATIONS SEE DWG NO. 128783-01-000

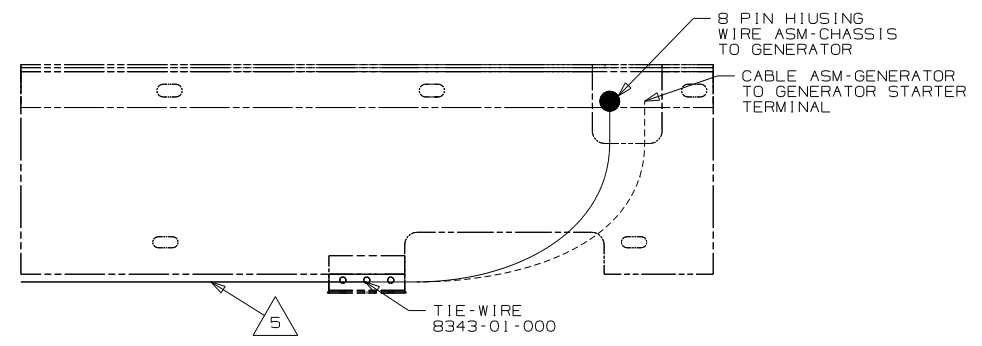
FOR ELECTRICAL CALLOUTS SEE DWG NO. 121339-01-000

- ILL FRTL (FRED) 27K-300HP 22.5TIRE
- 265 CODES/STANDARDS-CSA/CMVSS
- 1B1 CODES/STANDARDS USA

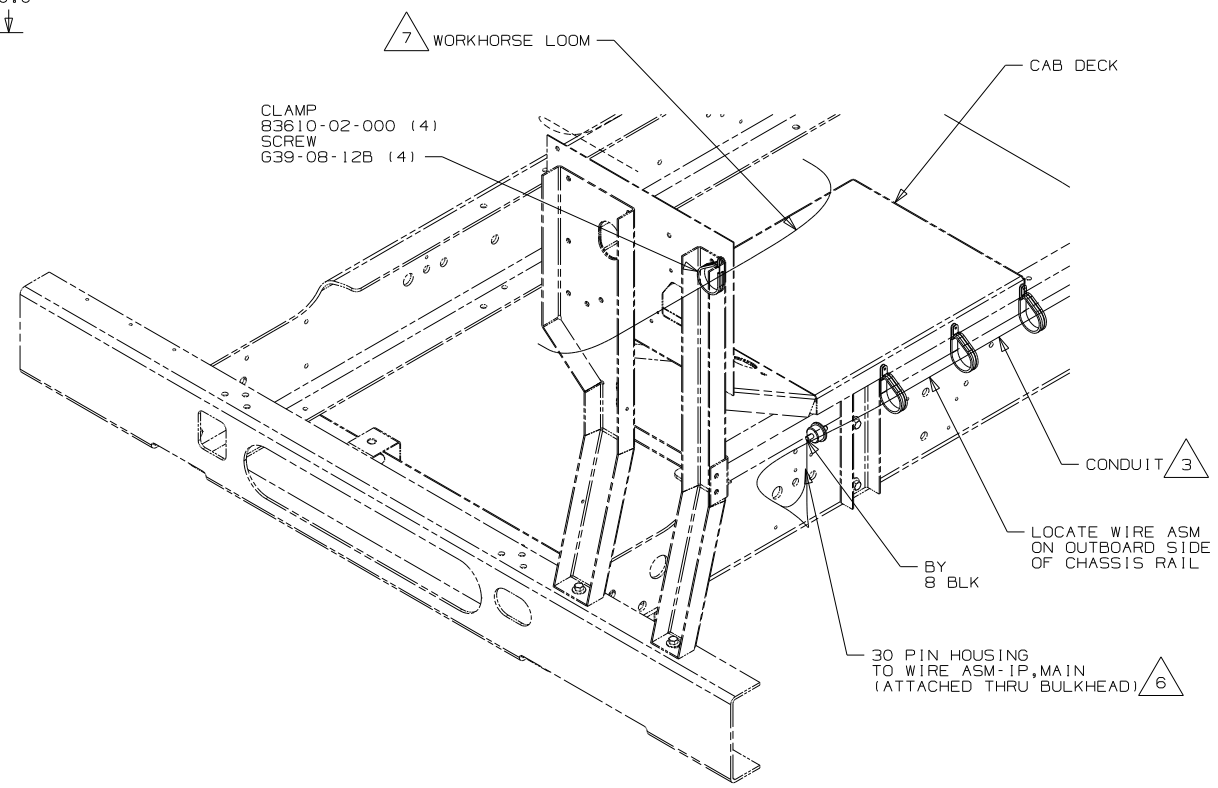
FIRST USED	10 J35Z
TITLE	DO NOT SCALE DRAWING
TITLE	WIRING INSTL-CHASSIS
SHEET 3	PART NO 172888 REV



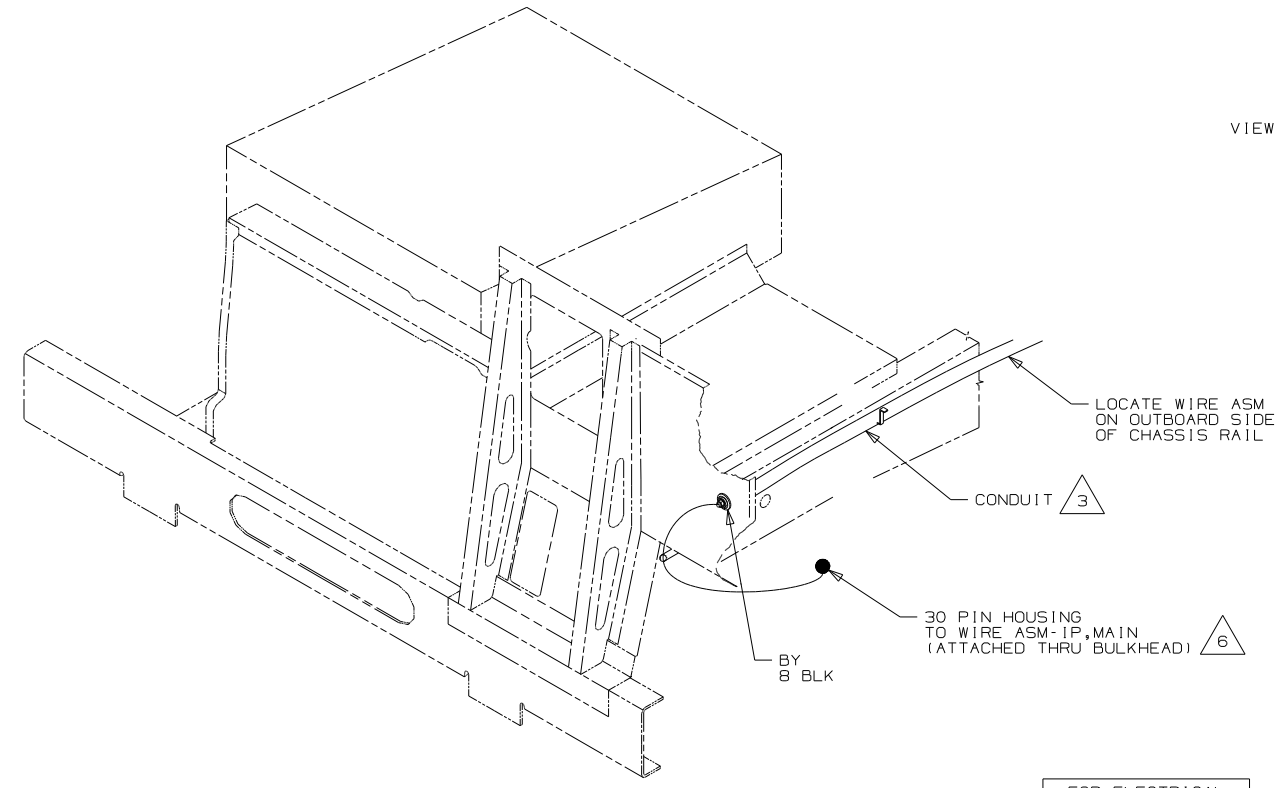
VIEW DC (16L) (16Z)



VIEW DD



VIEW DB (IPS) (IPV)



VIEW DA (16L) (16Z)

- 9 CUT CHASSIS SUPPLIED BATTERY GROUND CABLE 700MM FROM BATTERY TERMINAL AND ADD TERMINAL 8348-01-000 TO CUT END.
- 8 CUT CHASSIS SUPPLIED POSITIVE BATTERY CABLE 150MM FROM BATTERY TERMINAL END, DISCARD TERMINAL END AND ADD TERMINAL 113738-01-000 TO CUT END. COIL EXCESS CABLE ALONG FRAME RAIL JUST BEHIND THE RADIATOR AND TIE UP WITH TIE-WIRE 8343-04-000.
- 7 CLAMP WORKHORSE ENGINE HARNESS TO CAB DECK TO PROTECT HARNESS FROM DAMAGE.
- 6 SEE WIRING INSTL-FRONT END FOR ADDITIONAL INFORMATION.
- 5 SECURE SO WIRES DO NOT CONTACT EXHAUST.
- 4 SUPPLIED WITH CHASSIS.
- 3 COVER WITH CONDUIT 41953-10-000 AND 41953-11-000 AS REQUIRED.

- 2. SECURE CONDUIT 41953-09, -10, -11, -13, AND -14 OVER ALL WIRES IN CONTACT WITH SHARP EDGES.

1. LEGEND: — WINNEBAGO: - - - - - CABLE: - - - - - CHASSIS SUPPLIED WIRING.

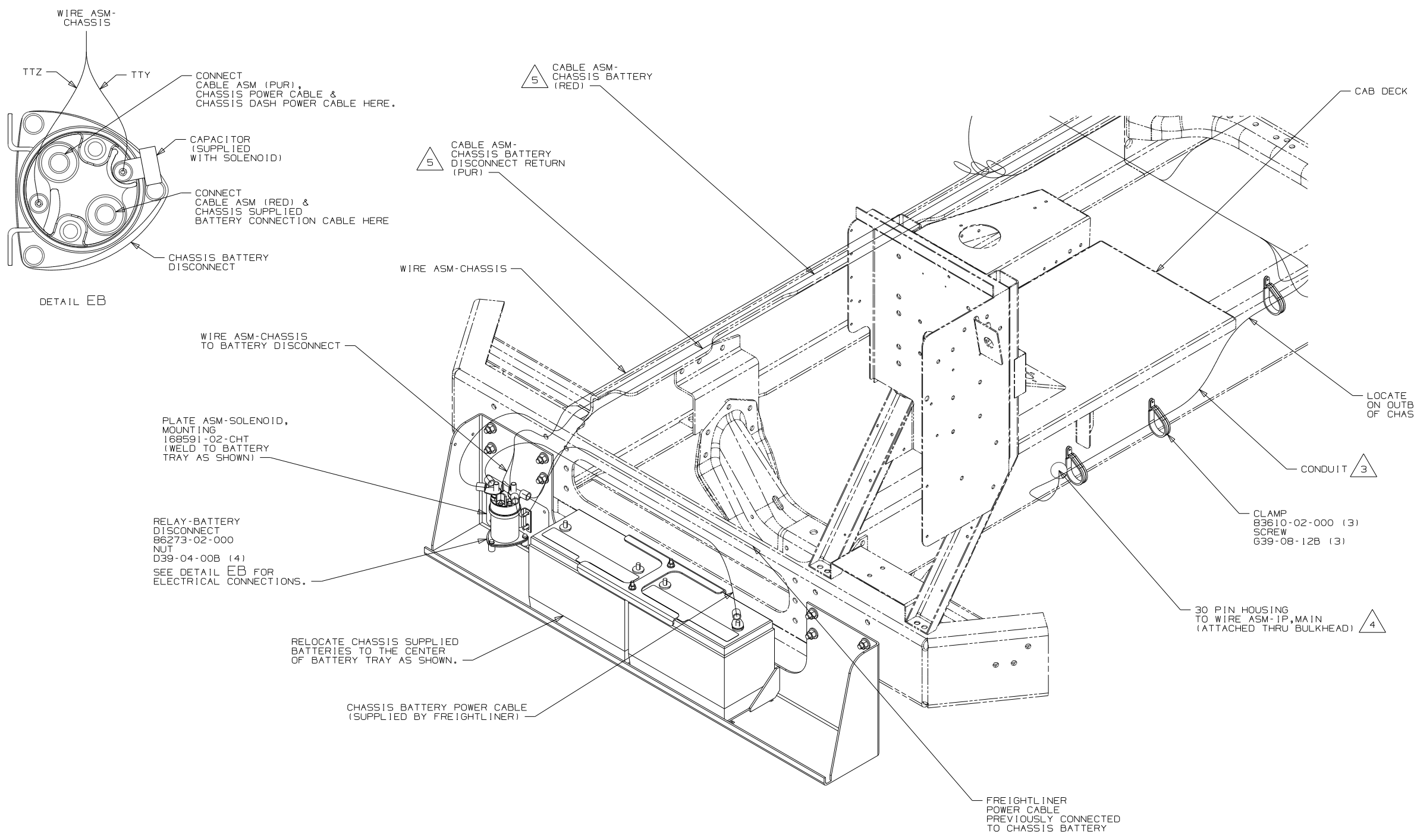
NOTES:

- (IPV) WORKHORSE 24,000#-22.5 TIRE
- (IPS) WORKHORSE 22,000#-22.5 TIRE
- (16Z) FORD 24,000#-22.5 ALUM WHEEL
- (16L) FORD 22,000#-22.5 AL WHL
- (265) CODES/STANDARDS-CSA/CMVSS
- (1B1) CODES/STANDARDS USA

FIRST USED	10 J35Z
DO NOT SCALE DRAWING	
TITLE:	WIRING INSTL-CHASSIS
SHEET 4	PART NO 172888 REV

FOR ELECTRICAL TORQUE SPECIFICATIONS SEE DWG NO. 128783-01-000

(X-X) FOR ELECTRICAL CALLOUTS SEE DWG NO. 121339-01-000



CONNECT
CABLE ASM (PUR),
CHASSIS POWER CABLE &
CHASSIS DASH POWER CABLE HERE.

CAPACITOR
(SUPPLIED
WITH SOLENOID)

CONNECT
CABLE ASM (RED) &
CHASSIS SUPPLIED
BATTERY CONNECTION CABLE HERE

CHASSIS BATTERY
DISCONNECT

5 CABLE ASM-
CHASSIS BATTERY
(RED)

5 CABLE ASM-
CHASSIS BATTERY
DISCONNECT RETURN
(PUR)

CAB DECK

DETAIL EB

WIRE ASM-CHASSIS

WIRE ASM-CHASSIS
TO BATTERY DISCONNECT

PLATE ASM-SOLENOID,
MOUNTING
168591-02-CHT
(WELD TO BATTERY
TRAY AS SHOWN)

RELAY-BATTERY
DISCONNECT
86273-02-000
NUT
D39-04-00B (4)
SEE DETAIL EB FOR
ELECTRICAL CONNECTIONS.

RELOCATE CHASSIS SUPPLIED
BATTERIES TO THE CENTER
OF BATTERY TRAY AS SHOWN.

CHASSIS BATTERY POWER CABLE
(SUPPLIED BY FREIGHTLINER)

LOCATE WIRE ASM
ON OUTBOARD SIDE
OF CHASSIS RAIL

CONDUIT 3

CLAMP
83610-02-000 (3)
SCREW
639-08-12B (3)

30 PIN HOUSING
TO WIRE ASM-IP, MAIN
(ATTACHED THRU BULKHEAD) 4

FREIGHTLINER
POWER CABLE
PREVIOUSLY CONNECTED
TO CHASSIS BATTERY

VIEW EA

- 5 SECURE SO WIRES DO NOT CONTACT EXHAUST.
- 4 SEE WIRING INSTL-FRONT END FOR ADDITIONAL INFORMATION.
- 3 COVER WITH CONDUIT 41953-10-000 AND 41953-11-000 AS REQUIRED.

2. SECURE CONDUIT 41953-09, -10, -11, -13, AND -14
OVER ALL WIRES IN CONTACT WITH SHARP EDGES.

1. LEGEND: — WINNEBAGO: - - - - - CABLE: - - - - - CHASSIS SUPPLIED WIRING.

NOTES:

- ILL FRTL (FRED) 27,000#-22.5 TIRE
- 265 CODES/STANDARDS-CSA/CMVSS
- 1B1 CODES/STANDARDS USA

1B1 265 ILL

FIRST USED
10 J35Z

TITLE:
DO NOT SCALE DRAWING

WIRING INSTL-CHASSIS

SHEET 5 PART NO 172888 REV

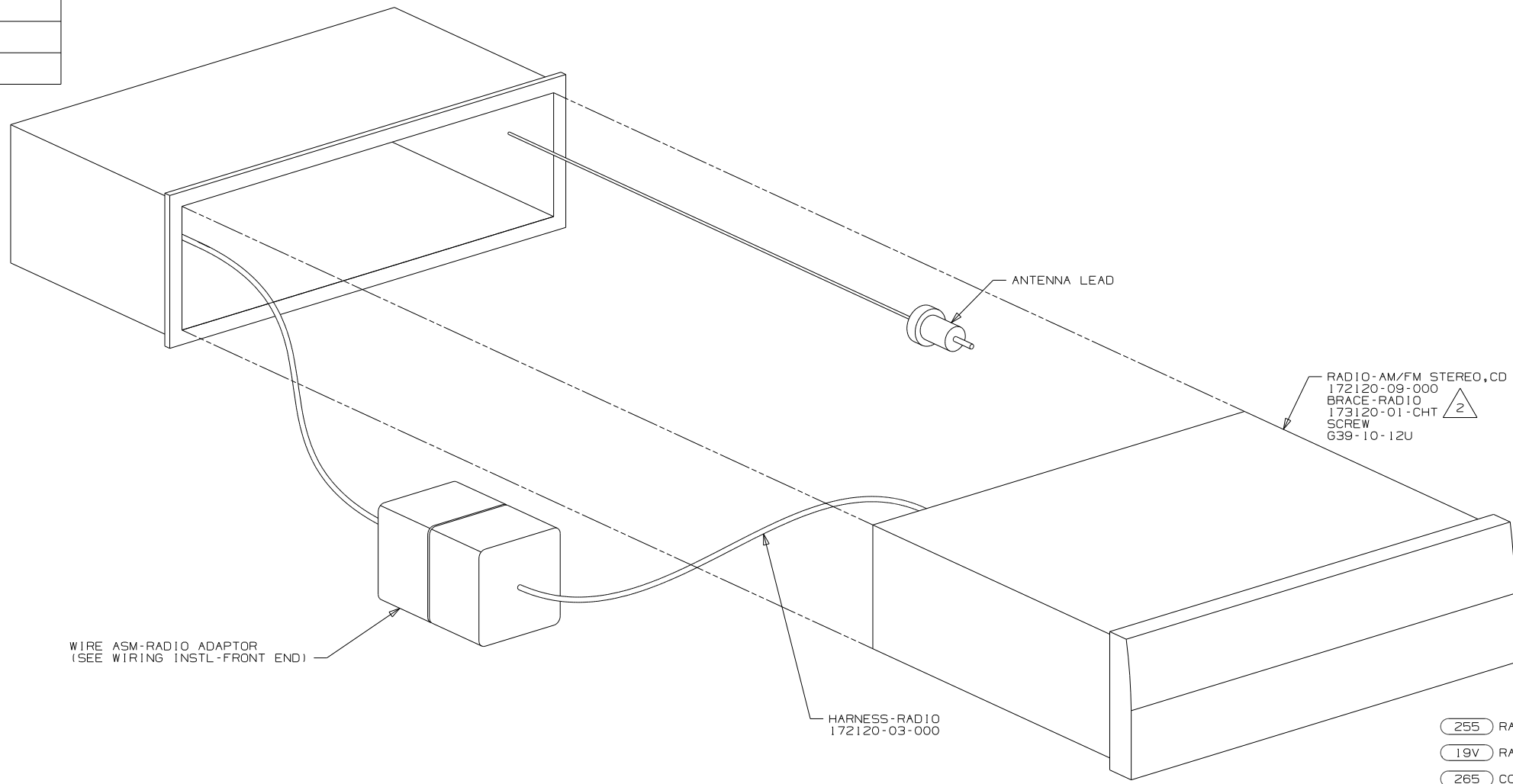
FOR ELECTRICAL
TORQUE
SPECIFICATIONS
SEE DWG NO.
128783-01-000

X-X

FOR
ELECTRICAL
CALLOUTS
SEE DWG NO.
121339-01-000

DRAWING NO.	SHEET	SERIES
169847-01	1	E-SERIES (19V)
169847-02	2	300,700-SERIES
169847-03	3	500,H-SERIES
169847-04	4	J,K,M,P,R-SERIES
169847-05	5	D,E-SERIES (255)
169847-06	6	100-SERIES
169847-07	7	200
169847-08	---	NOT USED

RELEASE	REV DATE	DWG NO	169847
REV ZONE	REVISION RECORD	DATE	DFTR-ORIG



- 1 RADIO-AM/FM STEREO, CD PLAYER 172120-09-000
- 2 BRACE-RADIO 173120-01-CHT
- SCREW 639-10-12U

WIRE ASM-RADIO ADAPTOR
(SEE WIRING INSTL-FRONT END)

HARNESS-RADIO
172120-03-000

- 255 RADIO/AM/FM/CD/DVD PLAYER
- 19V RADIO-AM/FM STEREO CD PLAYER
- 265 CODES/STANDARDS-CSA/CMVSS
- 1B1 CODES/STANDARDS USA



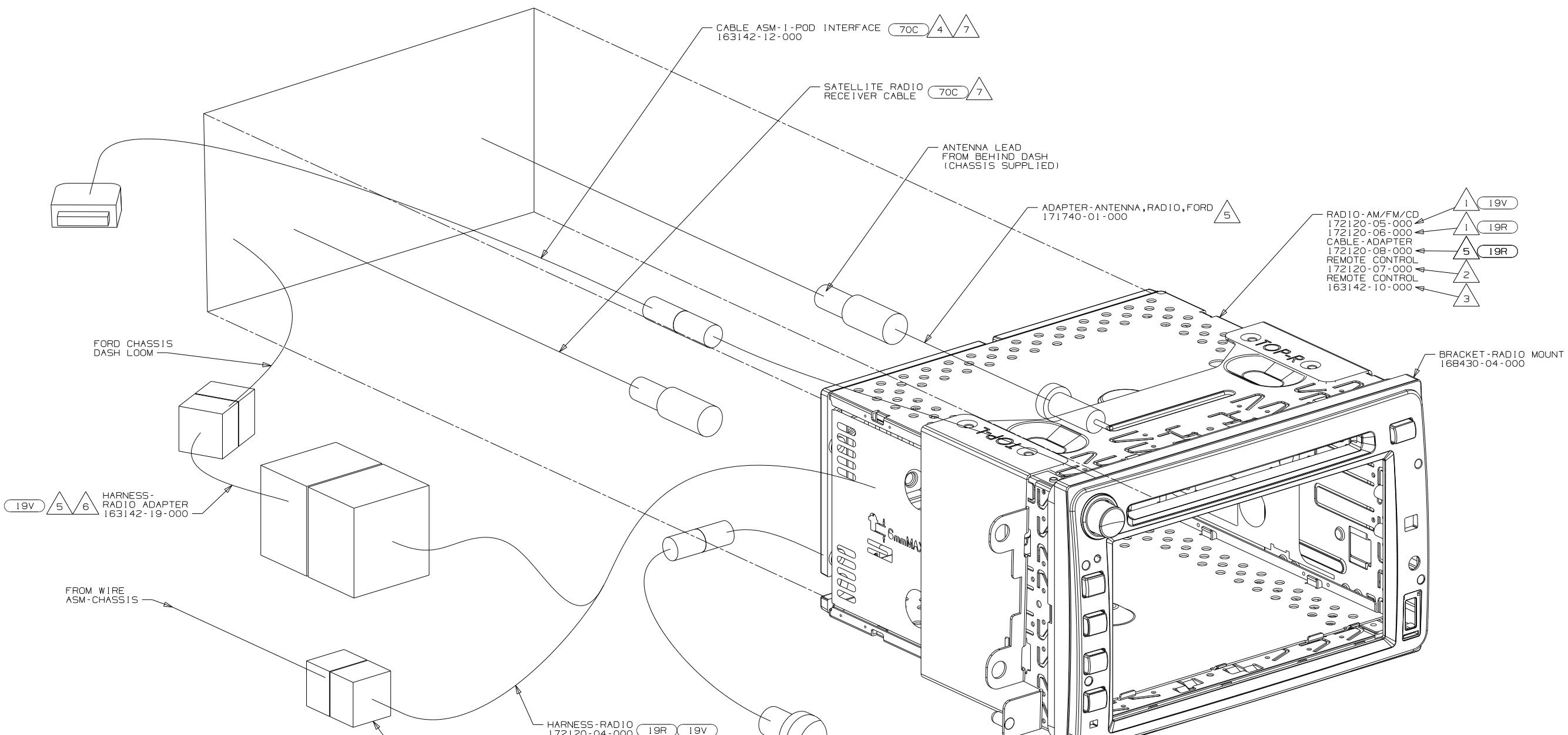
DFTR	ORIG. DATE
CHKR	ALL DIMENSIONS ARE IN MILLIMETERS
P.E.	
M.E.	FIRST USED
DSNR	10 E-SERIES
UNSPECIFIED TOLERANCES ARE:	
WHOLE DIM (X)	:
ONE-PLACE (X.X)	:
TWO-PLACE (X.XX)	:
ANGLE	:
THIRD ANGLE PROJECTION	

- NOTES:
- 2 INSTALL REAR RADIO SUPPORT BRACKET, ENGAGING T-RAIL ON BOTTOM OF RADIO UNTIL LOCKED IN PLACE.
 - 1 BEND TABS ON ALL 4 SIDES TO SECURE RADIO MOUNTING BRACKET TO DASH MOUNTING BRACKET.

FOR ELECTRICAL TORQUE SPECIFICATIONS SEE DWG NO. 128783-01-000

FOR ELECTRICAL CALLOUTS SEE DWG NO. 121339-01-000

DO NOT SCALE DRAWING	
TITLE:	RADIO INSTL
SHEET 1 of 7	PART NO 169847



- 7 APPLY TAPE 8363-01-000 TO SECURE CONNECTION.
- 6 2008 FORD CHASSIS.
- 5 CONNECT TO "CAMERA 1" CABLE ON RADIO FOR REAR CAMERA.
- 4 PLUG I-POD CABLE INTO LEAD ON BACK OF RADIO MARKED 'I-POD'. ROUTE CABLE TO THE LEFT OF RADIO. WIRE TIE EXCESS CABLE UNDER DASH IN THE AREA LEFT OF THE RADIO. LEAVE 200 MM OF CABLE IN THE MOTOR COVER BEVERAGE TRAY. MAKE SURE CABLE DOES NOT GET PINCHED BY MOTOR COVER.
- 3 INSTALL PER DRAWING 170205.
- 2 TO BE SUPPLIED LOOSE IN WINNEBAGO OWNERS CASE.
- 1 ENGAGE T-RAIL ON BOTTOM OF RADIO UNTIL LOCKED IN PLACE.

NOTES:

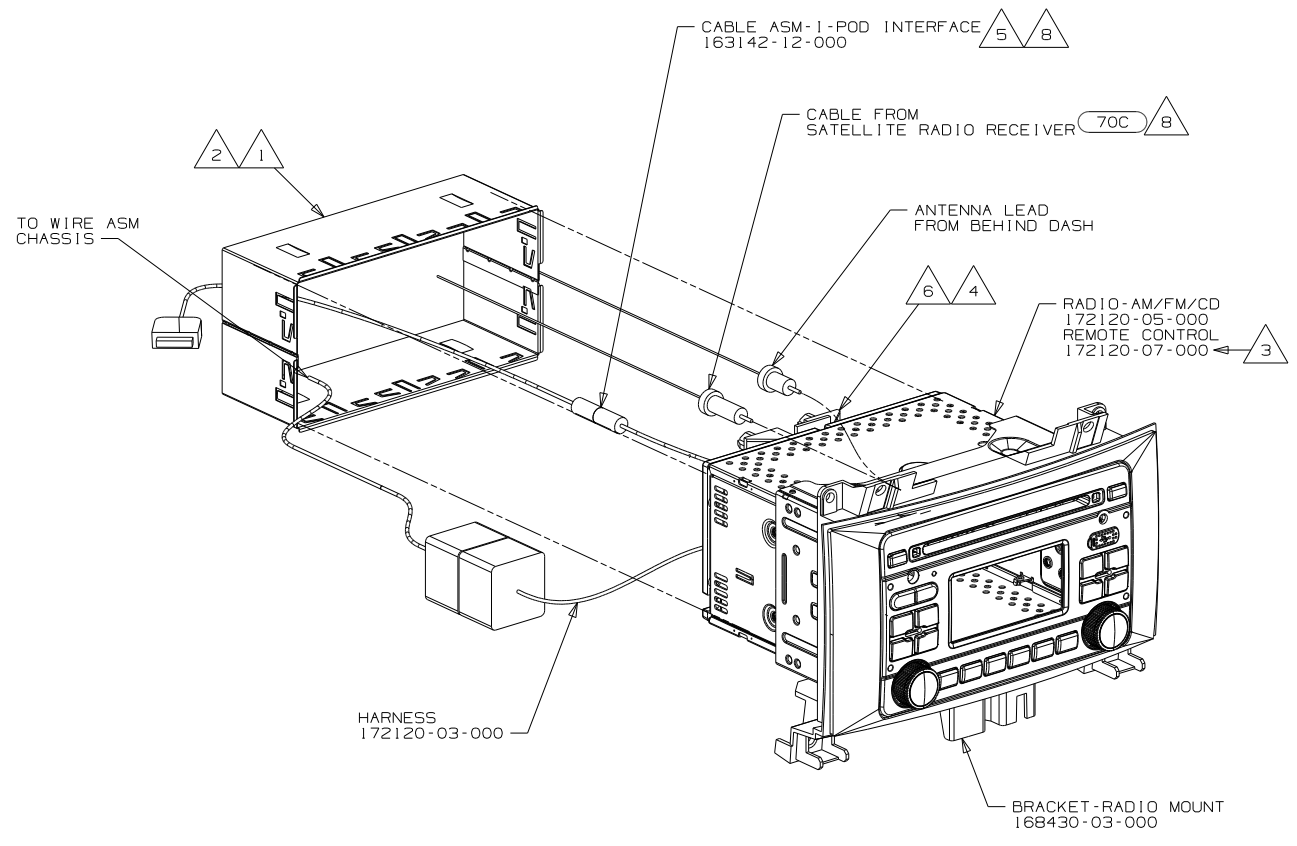
- 19R RADIO/REARVIEW MONITOR SYS
- 70C RADIO - SATELLITE
- 19V RADIO-AM/FM STEREO CD PLAYER
- 265 CODES/STANDARDS-CSA/CMVSS
- 1B1 CODES/STANDARDS USA

FIRST USED	
10 300,700-SERIES	
DO NOT SCALE DRAWING	
TITLE: RADIO INSTL	
SHEET 2	PART NO 169847 REV

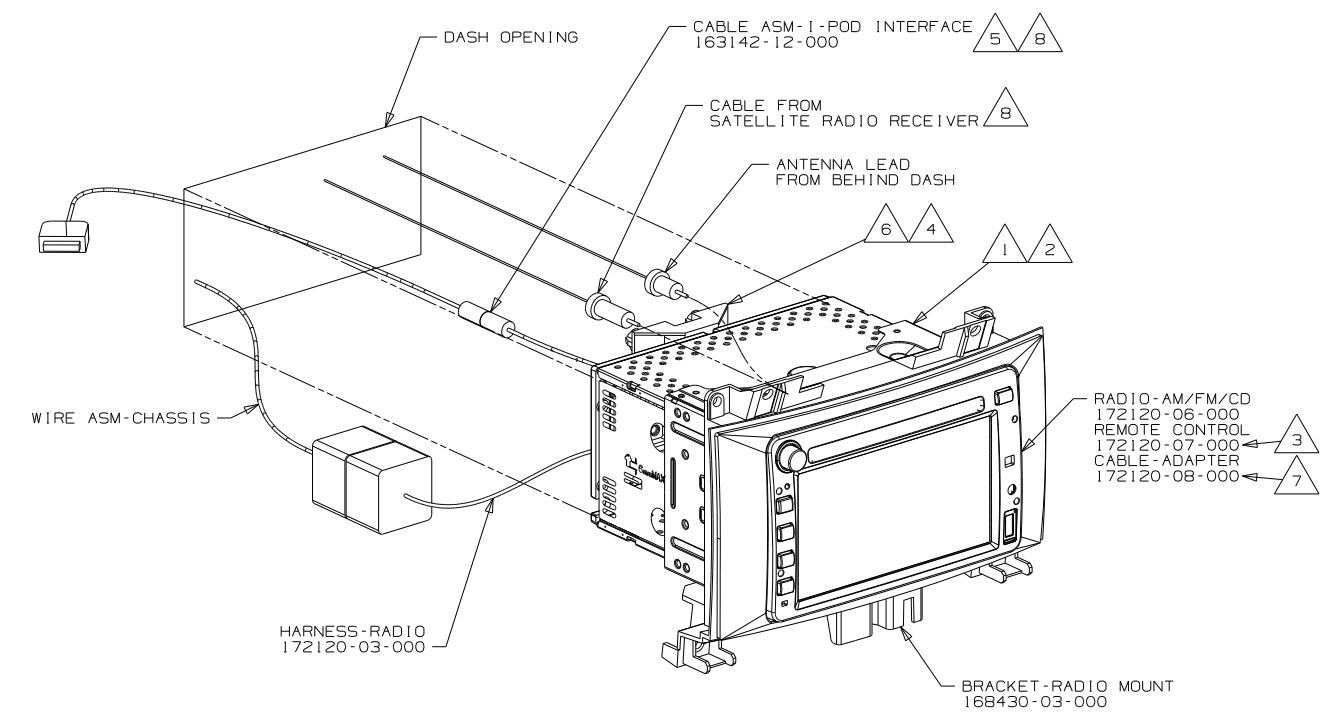
FOR ELECTRICAL TORQUE SPECIFICATIONS SEE DWG NO. 128783-01-000

X-X FOR ELECTRICAL CALLOUTS SEE DWG NO. 121339-01-000

500-SERIES 19V



H-SERIES 19V 500-SERIES 19R



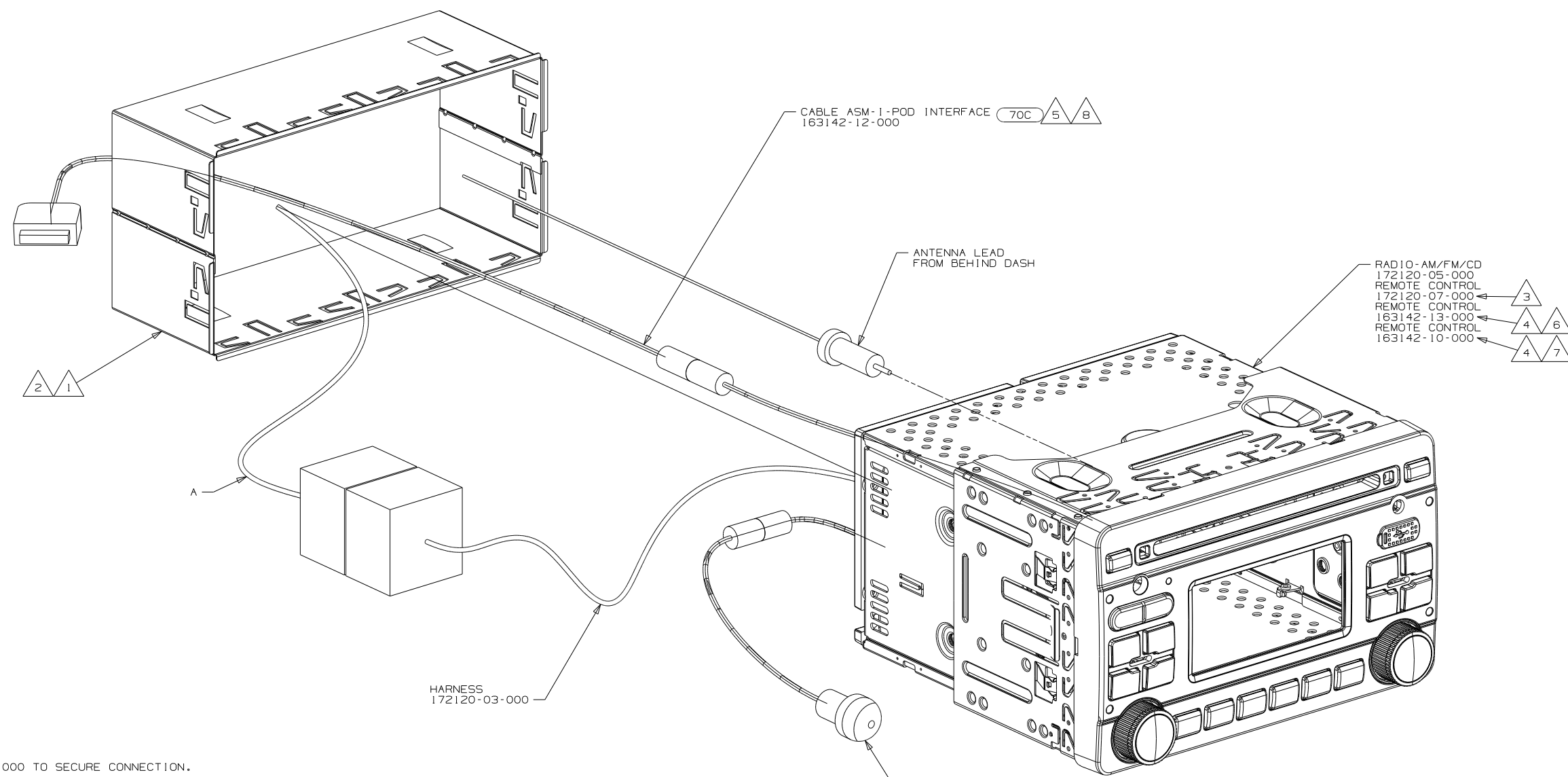
- NOTES:**
- 8 APPLY TAPE 8363-01-000 TO SECURE CONNECTION.
 - 7 CONNECT TO "CAMERA 1" CABLE ON RADIO FOR REAR CAMERA.
 - 6 SUPPLIED WITH RADIO MOUNT BRACKET.
 - 5 PLUG 1-POD CABLE INTO LEAD ON BACK OF RADIO MARKED 1-POD. DRILL 16 MM DIAMETER HOLE IN THE TRAY ABOVE THE RADIO. THE HOLE IS TO BE LOCATED ON THE PASSENGER SIDE OF THE TRAY 50 MM FROM THE END NEAREST THE WINDSHIELD. ROUTE 1-POD CABLE INTO THE TRAY AND LEAVE 200 MM OF WIRE IN THE TRAY.
 - 4 INSTALL REAR SUPPORT TO TOP EDGE OF RADIO.
 - 3 TO BE SUPPLIED LOOSE IN WINNEBAGO OWNERS CASE.
 - 2 BEND TABS ON ALL 4 SIDES TO SECURE MOUNTING BRACKET TO DASH OPENING.
 - 1 SUPPLIED WITH RADIO.

- 19R RADIO/REARVIEW MONITOR SYS
- 70C RADIO - SATELLITE
- 19V RADIO-AM/FM STEREO CD PLAYER
- 265 CODES/STANDARDS-CSA/CMVSS
- 1B1 CODES/STANDARDS USA

FOR ELECTRICAL TORQUE SPECIFICATIONS SEE DWG NO. 128783-01-000

FOR ELECTRICAL CALLOUTS SEE DWG NO. 121339-01-000

FIRST USED	
10 500,H-SERIES	
DO NOT SCALE DRAWING	
TITLE: RADIO INSTL	
SHEET 3	PART NO 169847 REV



- 8 APPLY TAPE 8363-01-000 TO SECURE CONNECTION.
- 7 FORD CHASSIS.
- 6 WORKHORSE AND FREIGHTLINER CHASSIS.
- 5 PLUG 1-POD CABLE INTO LEAD ON BACK OF RADIO MARKED '1-POD'. ROUTE CABLE UP LEFT A-PILLAR AND INTO OVERHEAD CABINET ABOVE DRIVER. LEAVE 600 MM OF CABLE IN OVERHEAD TIED UP WITH WIRE TIE 8343-01-000.
- 4 INSTALL PER DRAWING 170205.
- 3 TO BE SUPPLIED LOOSE IN WINNEBAGO OWNERS CASE.
- 2 BEND TABS ON ALL 4 SIDES TO SECURE MOUNTING BRACKET TO DASH OPENING.
- 1 SUPPLIED WITH RADIO.

NOTES:

- 70C RADIO - SATELLITE
- 19V RADIO-AM/FM STEREO CD PLAYER
- 265 CODES/STANDARDS-CSA/CMVSS
- 1B1 CODES/STANDARDS USA

RECEIVER-INFRARED 163142-11-000 4

HARNESS 172120-03-000

CABLE ASM-1-POD INTERFACE 163142-12-000 70C 5 8

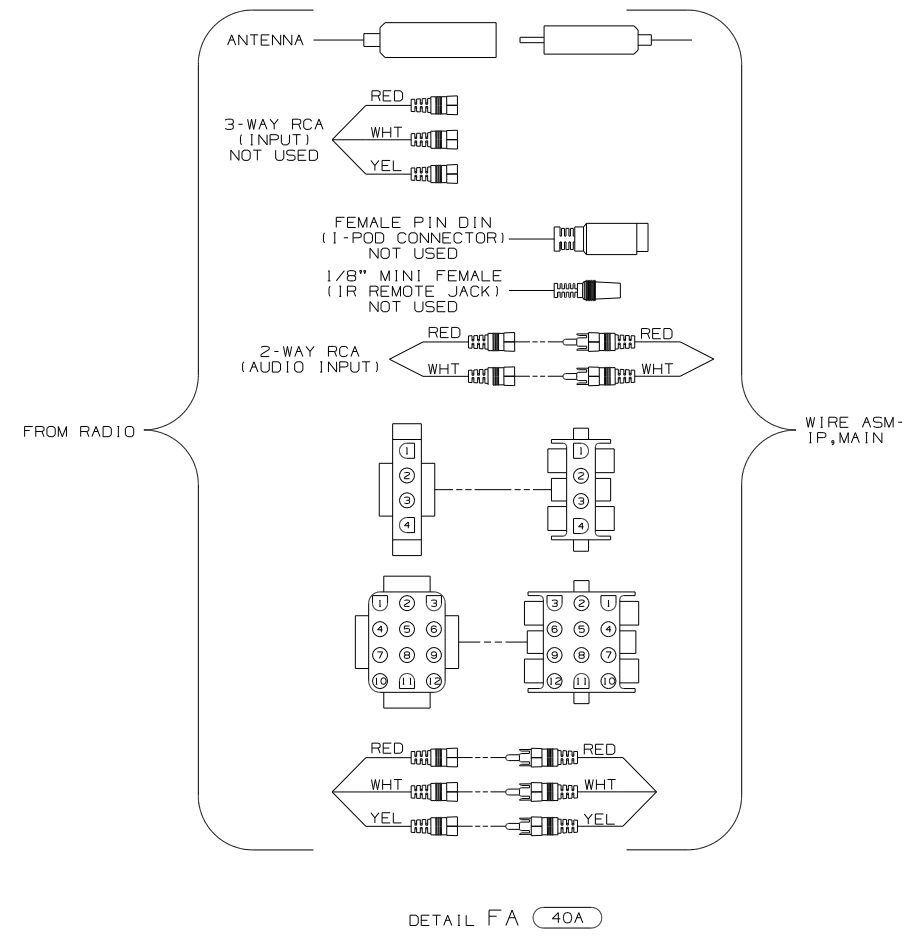
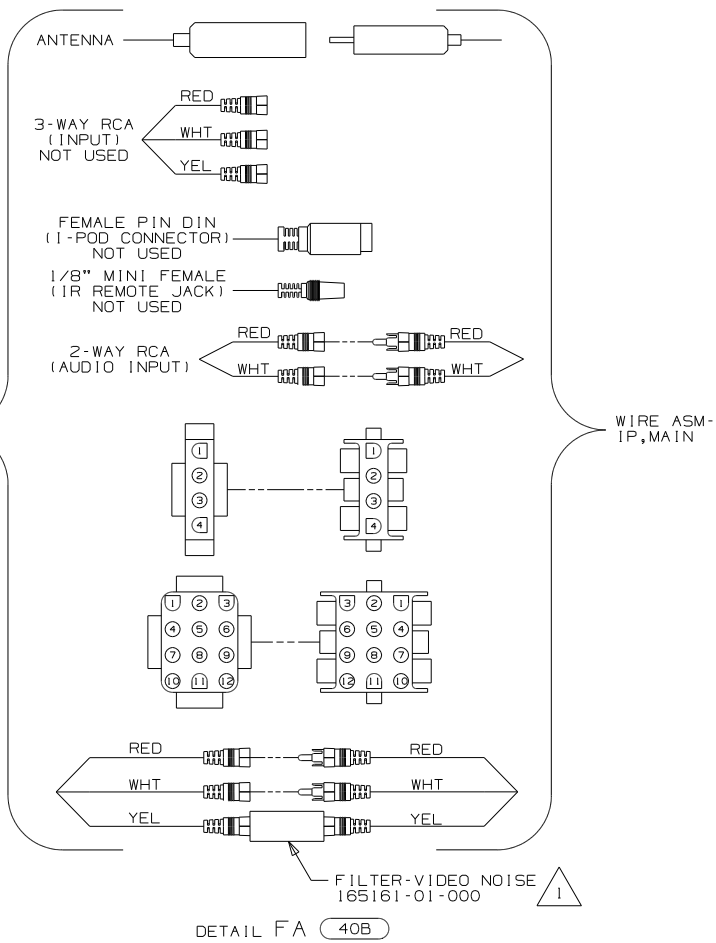
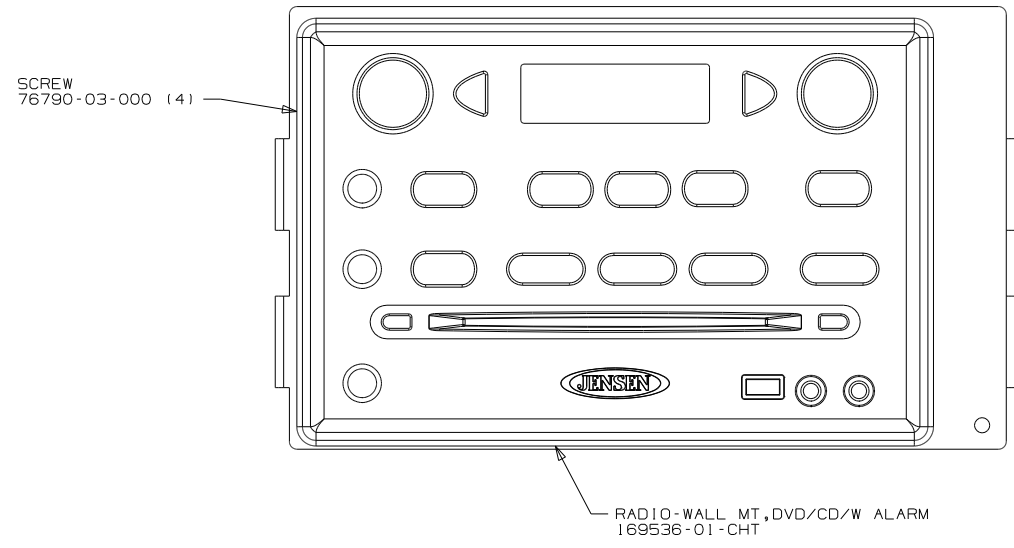
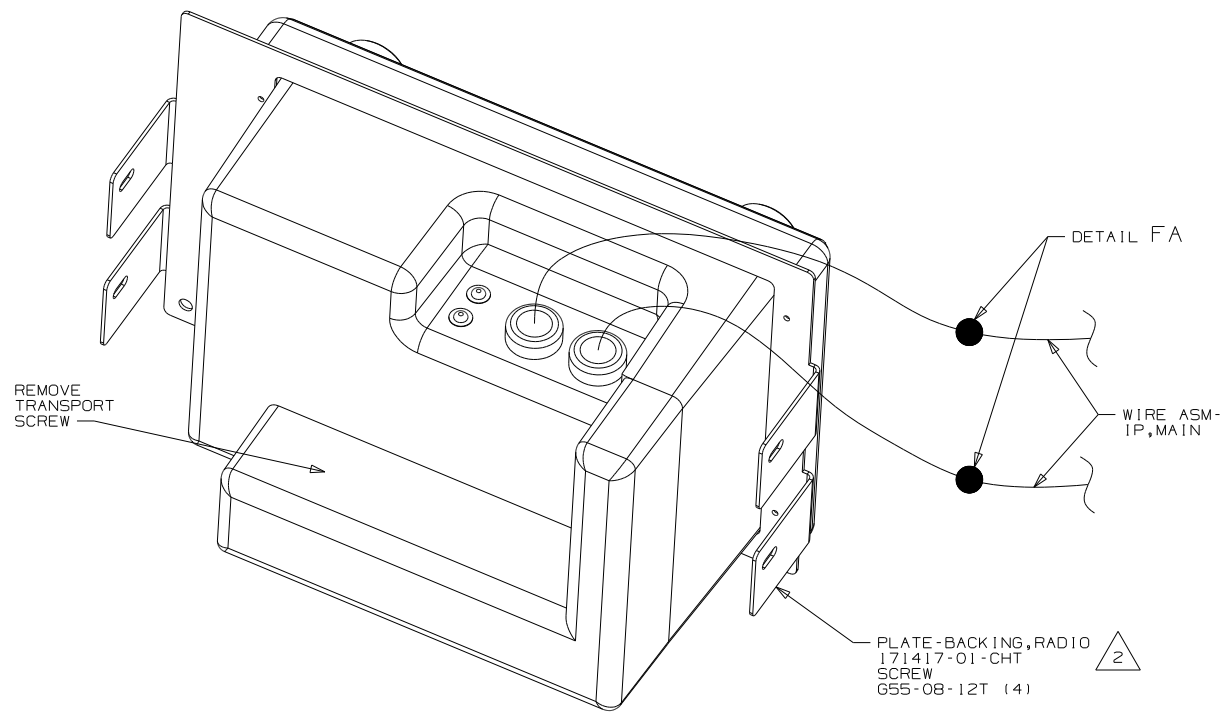
ANTENNA LEAD FROM BEHIND DASH

FOR ELECTRICAL TORQUE SPECIFICATIONS SEE DWG NO. 128783-01-000

FOR ELECTRICAL CALLOUTS SEE DWG NO. 121339-01-000

- 70C RADIO - SATELLITE
- 19V RADIO-AM/FM STEREO CD PLAYER
- 265 CODES/STANDARDS-CSA/CMVSS
- 1B1 CODES/STANDARDS USA

FIRST USED	
10 J, P, R-SERIES	
DO NOT SCALE DRAWING	
TITLE: RADIO INSTL	
SHEET 4	PART NO 169847 REV



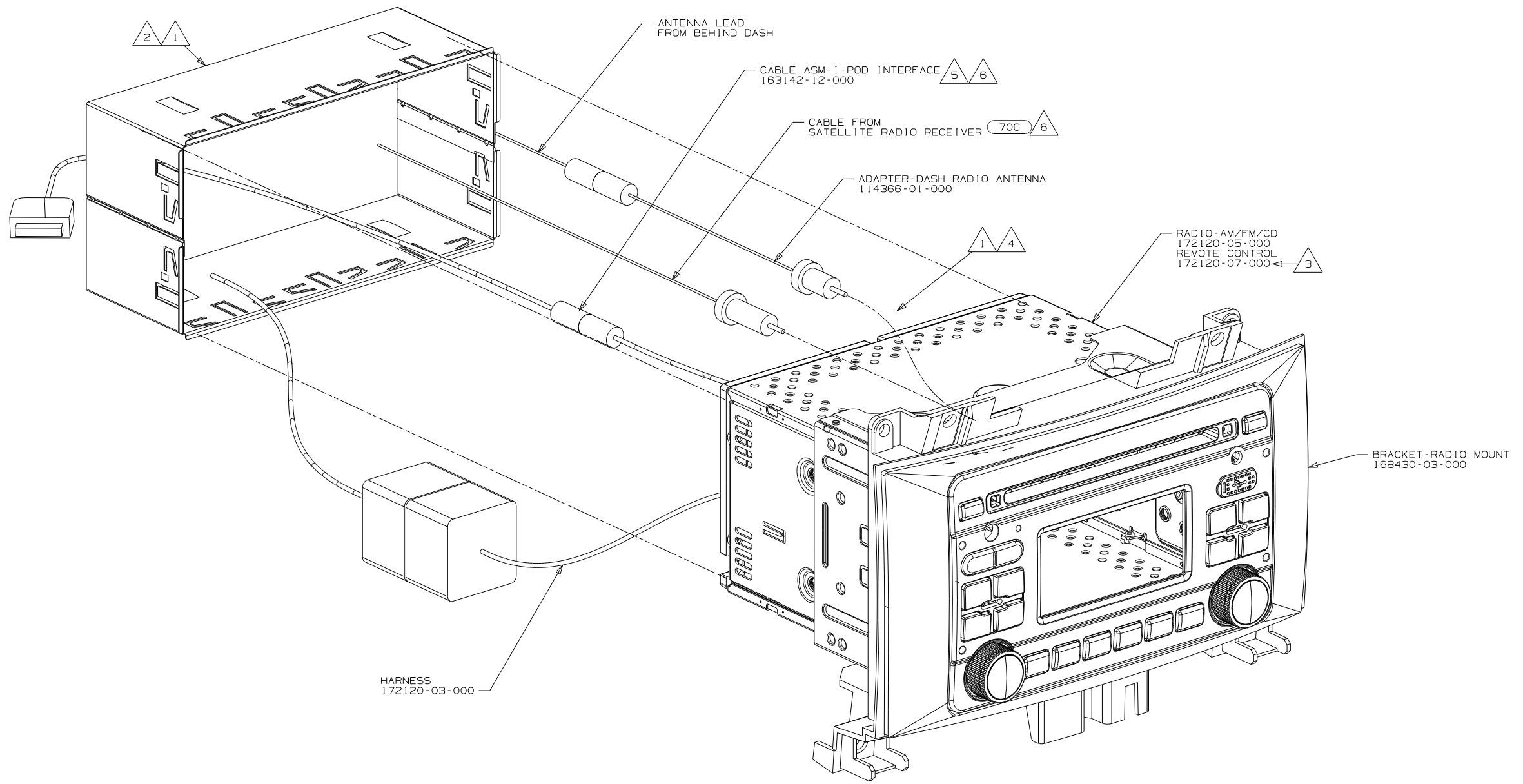
- 255 RADIO/AM/FM/CD/DVD PLAYER
- 40B INVERTER-DC/AC, 300 WATT
- 40A INVERTER-DC/AC WITHOUT
- 255 RADIO/AM/FM/CD/DVD PLAYER

NOTES:

2 E-SERIES ONLY. NOT USED ON D-SERIES.

1 CONNECTS IN-LINE OF YELLOW VIDEO CABLE. WRAP BOTH ENDS OF FILTER CONNECTIONS WITH TAPE 8363-01-000 TO SECURE FILTER TO WIRE ASM.

FIRST USED	
10 D, E-SERIES	
DO NOT SCALE DRAWING	
TITLE: RADIO INSTL	
SHEET 5	PART NO 169847 REV



- 6 APPLY TAPE 8363-01-000 TO SECURE CONNECTION.
- 5 PLUG I-POD CABLE INTO LEAD ON BACK OF RADIO MARKED I-POD. DRILL 16 MM DIAMETER HOLE IN THE TRAY ABOVE THE RADIO. THE HOLE IS TO BE LOCATED ON THE PASSENGER SIDE OF THE TRAY 50 MM FROM THE END NEAREST THE WINDSHIELD. ROUTE I-POD CABLE INTO THE TRAY AND LEAVE 200 MM OF WIRE IN THE TRAY.
- 4 INSTALL REAR SUPPORT TO TOP EDGE OF RADIO.
- 3 TO BE SUPPLIED LOOSE IN WINNEBAGO OWNERS CASE.
- 2 BEND TABS ON ALL 4 SIDES TO SECURE MOUNTING BRACKET TO DASH OPENING.
- 1 SUPPLIED WITH RADIO.

NOTES:

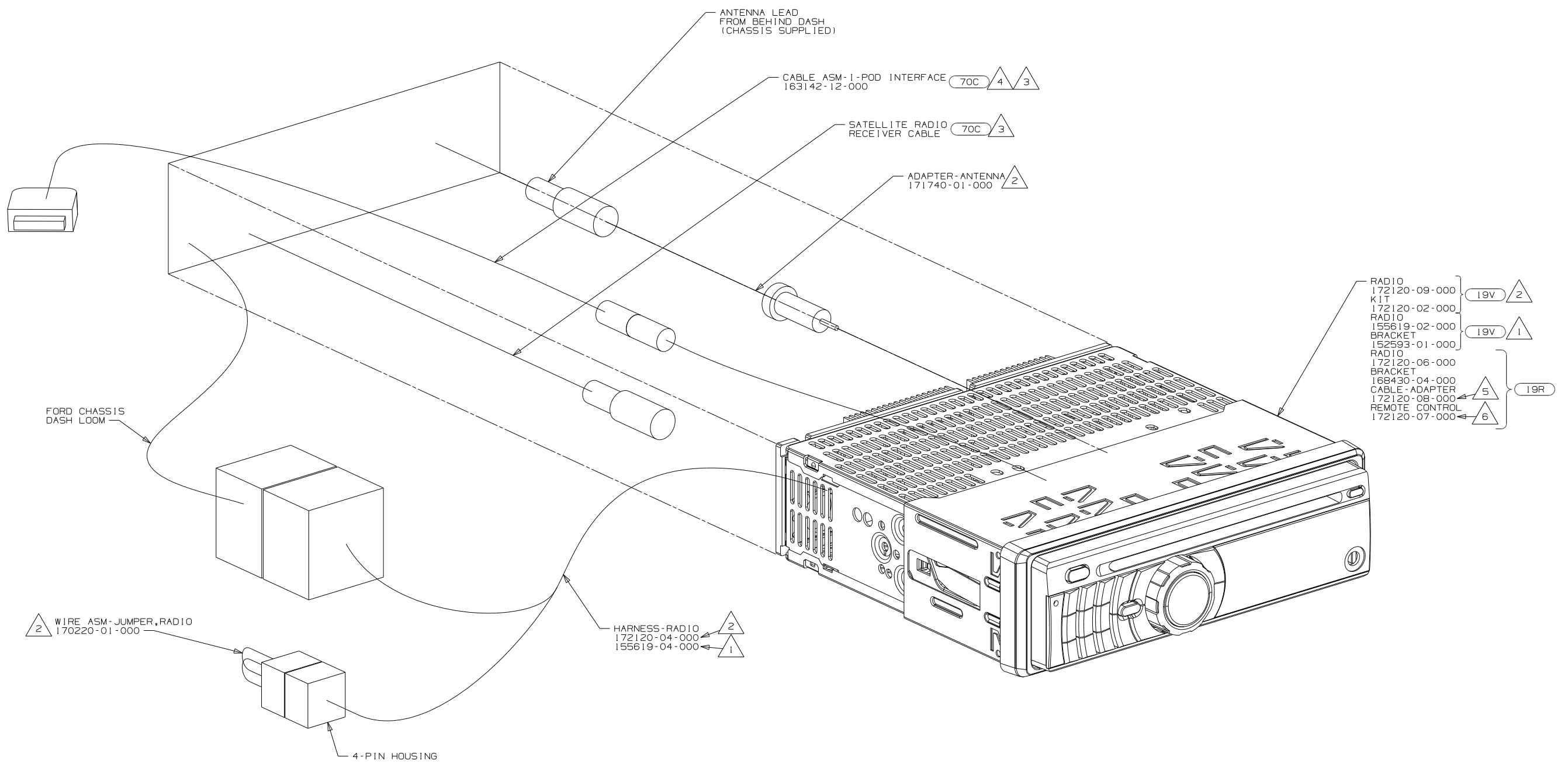
- 70C RADIO - SATELLITE
- 19V RADIO-AM/FM STEREO CD PLAYER
- 265 CODES/STANDARDS-CSA/CMVSS
- 1B1 CODES/STANDARDS USA

1B1 265 19V

FOR ELECTRICAL TORQUE SPECIFICATIONS SEE DWG NO. 128783-01-000

X-X FOR ELECTRICAL CALLOUTS SEE DWG NO. 121339-01-000

FIRST USED	
10 100-SERIES	
DO NOT SCALE DRAWING	
TITLE: RADIO INSTL	
SHEET 6	PART NO 169847 REV



- RADIO 172120-09-000 (19V) (2)
- KIT 172120-02-000 (19V) (1)
- RADIO 155619-02-000 (19V) (1)
- BRACKET 152593-01-000 (19R)
- RADIO 172120-06-000 (19R)
- BRACKET 168430-04-000 (5)
- CABLE-ADAPTER 172120-08-000 (6)
- REMOTE CONTROL 172120-07-000 (6)

- (6) TO BE SUPPLIED LOOSE IN WINNEBAGO OWNERS CASE.
- (5) CONNECT TO "CAMERA 1" CABLE ON RADIO FOR REAR CAMERA.
- (4) PLUG I-POD CABLE INTO LEAD ON BACK OF RADIO MARKED 'I-POD'. ROUTE CABLE TO THE LEFT OF RADIO. WIRE TIE EXCESS CABLE UNDER DASH IN THE AREA LEFT OF THE RADIO. LEAVE 200 MM OF CABLE IN THE MOTOR COVER BEVERAGE TRAY. MAKE SURE CABLE DOES NOT GET PINCHED BY MOTOR COVER.
- (3) APPLY TAPE 8363-01-000 TO SECURE CONNECTION.
- (2) 2009 FORD CHASSIS
- (1) 2008 FORD CHASSIS

NOTES:

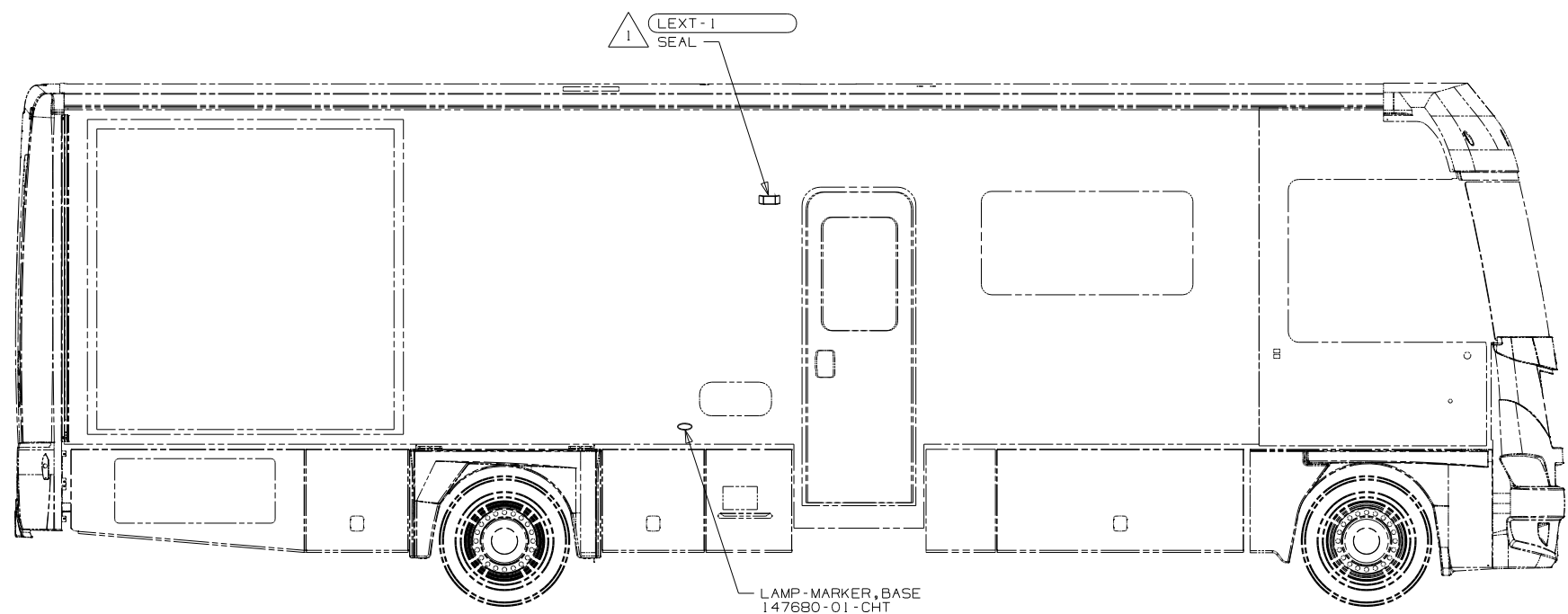
FOR ELECTRICAL TORQUE SPECIFICATIONS SEE DWG NO. 128783-01-000

(X-X) FOR ELECTRICAL CALLOUTS SEE DWG NO. 121339-01-000

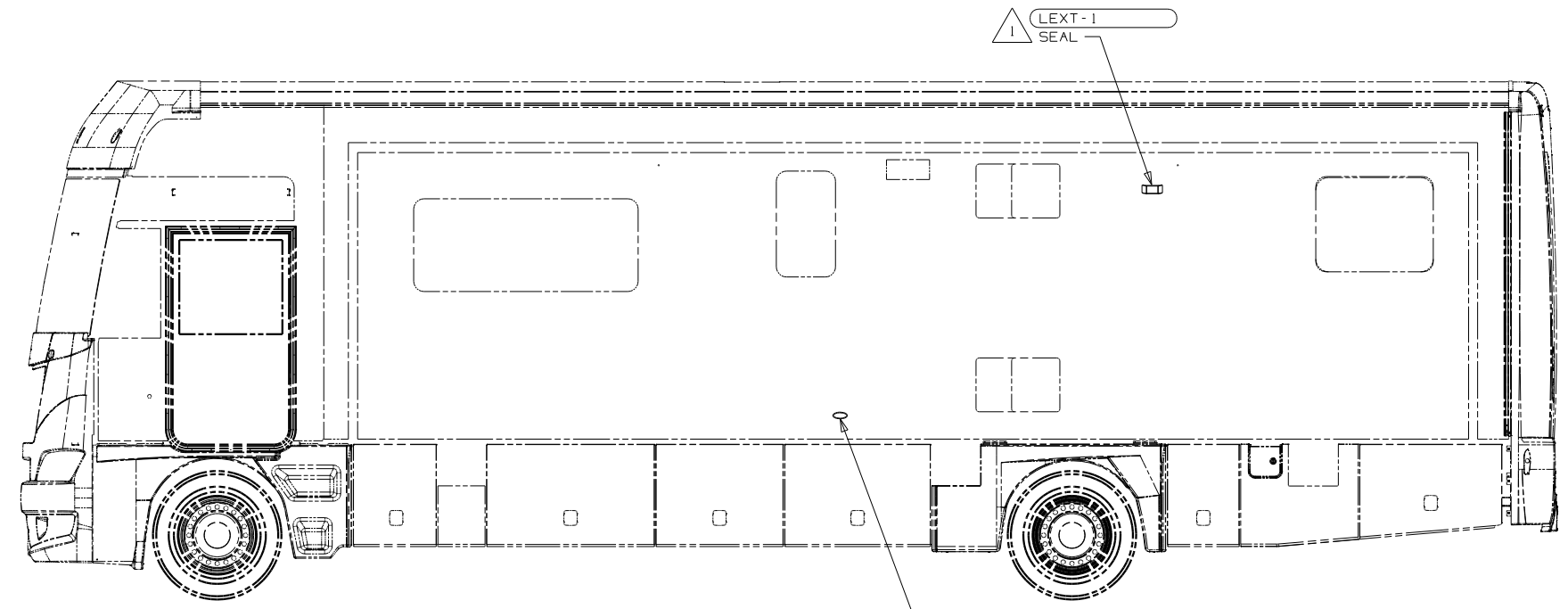
- (19V) RADIO-AM/FM STEREO CD PLAYER
- (70C) RADIO - SATELLITE
- (19R) RADIO/REARVIEW MONITOR SYS
- (265) CODES/STANDARDS-CSA/CMVSS
- (1B1) CODES/STANDARDS USA

FIRST USED	
10 200-SERIES	
DO NOT SCALE DRAWING	
TITLE:	RADIO INSTL
SHEET 7	PART NO 169847 REV

8 7 6 5 4 3 2 1



LAMP-MARKER, BASE
147680-01-CHT
LAMP-MARKER, LENS, AMBER
147680-02-CHT
SCREW
611-08-12U (EXT) (2)



LAMP-MARKER, BASE
147680-01-CHT
LAMP-MARKER, LENS, AMBER
147680-02-CHT
SCREW
611-08-12U (EXT) (2)

265 CODES/STANDARDS-CSA/CMVSS
1B1 CODES/STANDARDS USA
1B1 265



DFTR	ORIG. DATE
CHKR	ALL DIMENSIONS ARE IN MILLIMETERS
P.E.	
M.E.	FIRST USED
DSNR	10 J-SERIES
UNSPECIFIED TOLERANCES ARE:	MATERIAL:
HOLE DIM (X) : 3	
ONE-PLACE (X.X) : 1.5	
TWO-PLACE (X.XX) : 0.50	
ANGLE : 1°	
THIRD ANGLE PROJECTION	

FOR ELECTRICAL TORQUE SPECIFICATIONS SEE DWG NO. 128783-01-000

FOR ELECTRICAL CALLOUTS SEE DWG NO. 121339-01-000

DO NOT SCALE DRAWING
TITLE: WIRING INSTL-EXTERIOR LAMPS
SHEET 1 of 3 PART NO 171037 REV

NOTES:
1 NOT USED ON SHELLS.

8 7 6 5 4 3 2 1

LAMP ASM-MARKER, BASE
147680-01-CHT (5)
LAMP ASM-MARKER, LENS, AMBER
147680-02-CHT (5)
SCREW
G39-08-08T (EXT) (10)

WIRE ASM-CLEARANCE LAMPS
129943-01-000

2 PIN HOUSING TO
WIRE ASM-IP, MAIN

WIRE ASM-HEADLAMP, FRED
141678-11-000 (16L 16Z)
WIRE ASM-HEADLAMP, WH
141678-13-000 (1PS 1PV)
WIRE ASM-HEADLAMP,
FRED LEFT
141678-17-000 (ILL)
WIRE ASM-HEADLAMP,
FRED RIGHT
141678-18-000

LAMP-CLEARANCE, RED
102520-02-000 (5)
SCREW
G39-08-16T (10)
GASKET
102541-01-000 (5)
BULB
36196-01-000 (5)

WIRE ASM-
TAILLAMPS
149622-10-000 (16L 16Z)
149622-11-000 (1PN 1PS 1PV)
149622-12-000 (ILL)

1 2

LIGHT-THIRD BRAKE, LED
151076-01-000 (2)
SCREW
G39-06-16T (4)

LAMP ASM-STOP/TURN/TAIL
174698-01-000 (4)
SCREW
G39-08-20T (8)

LAMP-MARKER, RED
117826-01-000 (2)
GASKET-MARKER LIGHT
117826-03-000 (2)
BULB
36196-01-000 (2)
SCREW
G11-08-12U (EXT) (4)

REFLECTOR
106646-02-000 (2)
(ADHESIVE BACKING)

LAMP ASM-BACKUP, CLEAR
152352-01-000 (2) (5)
BULB
37934-01-000 (2)
SCREW
G11-06-24B (8)

4 TO GROUND STUD
TP, RRJ
(LOCATED ON BACKSIDE
OF GENERATOR OUTRIGGER)
NUT-GROUND
D39-05-00B

2 PIN HOUSING
TO WIRE ASM-CHASSIS

LAMP-LICENSE PLATE
87201-01-000
SCREW
G11-06-12U (EXT) (2)
CONNECTOR-TRAILER (3)
157593-01-000
SCREW
101618-01-000 (4)

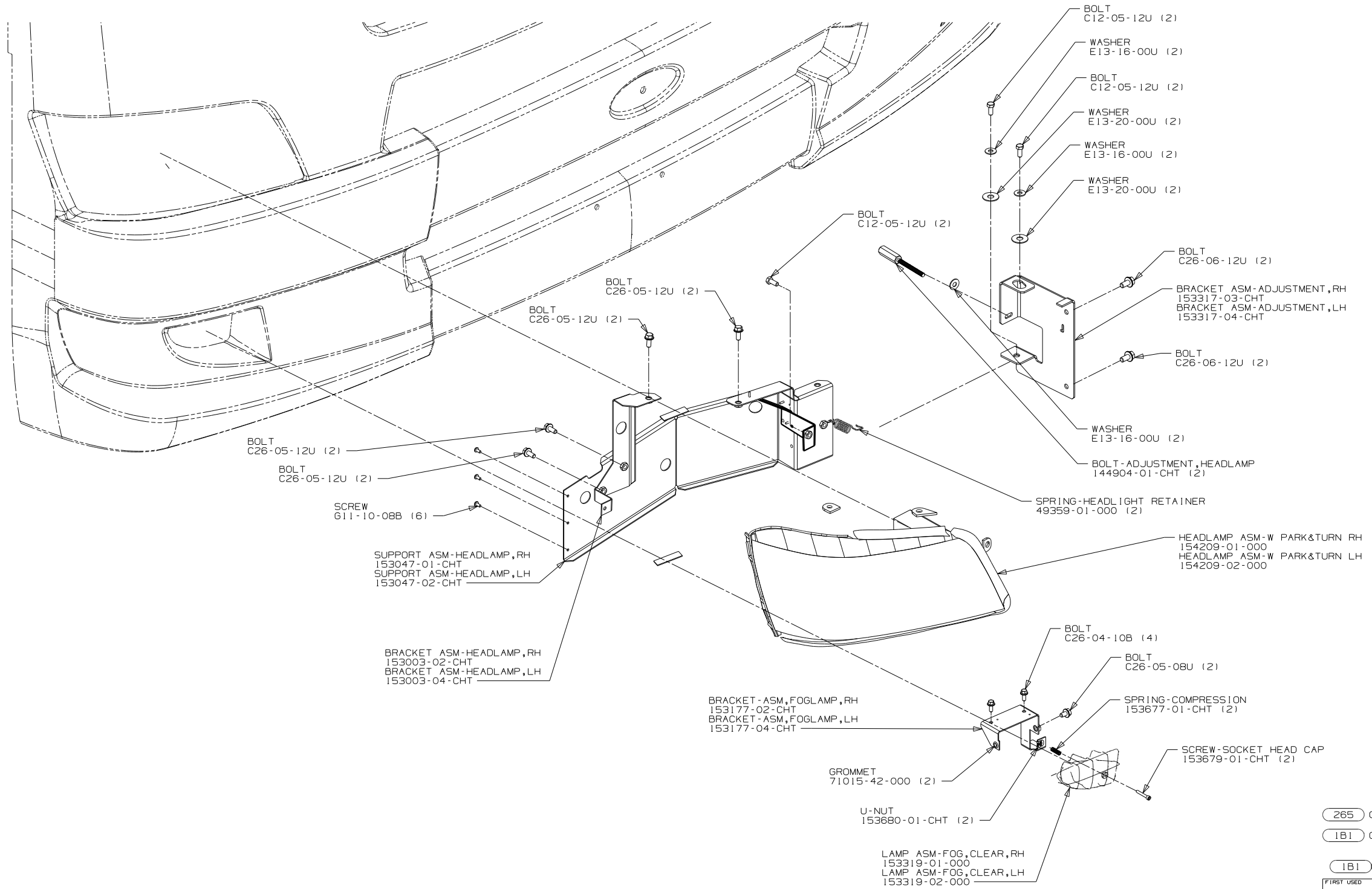
- (ILL) FRTL (FRED) 27,000#-22.5 TIRE
- (240) TRAILER HITCH
- (1PV) WORKHORSE 24,000#-22.5 TIRE
- (1PS) WORKHORSE 22,000#-22.5 TIRE
- (16Z) FORD 24,000#-22.5 ALUM WHEEL
- (16L) FORD 22,000#-22.5 AL WHL
- (265) CODES/STANDARDS-CSA/CMVSS
- (1B1) CODES/STANDARDS USA

- 6 LAMP WILL ONLY BE USED AS A TAILLAMP.
- 5 MOUNT LAMP ASM SO THAT THE LABEL TOP IS IN THE UP POSITION.
- 4 CLEAN PAINT OFF METAL (BOLT) BEFORE CONNECTING GROUND TO INSURE CONTACT.
- 3 CONNECTOR-PLUG, TRAILER 146246-01-000 TO BE SUPPLIED LOOSE IN COACH WITH (240)
- 2 SECURE WIRE ASM APPROX. EVERY 450 TO BACKWALL BRACKETS. USE TIE-WIRE 8343-01-000 OR 93147-01-000 AS APPROPRIATE.
- 1 GATHER ALL EXCESS WIRE AFTER MAKING ALL CONNECTIONS AND BUNDLE AND SECURE WITH TIE-WIRE 8343-01-000 OR 93147-01-000.

FOR ELECTRICAL
TORQUE
SPECIFICATIONS
SEE DWG NO.
128783-01-000

(X-X)
FOR ELECTRICAL
CALLOUTS
SEE DWG NO.
121339-01-000

FIRST USED	
10 J-SERIES	
DO NOT SCALE DRAWING	
TITLE: WIRING INSTL-EXTERIOR LAMPS	
SHEET 2	PART NO 171037 REV



265 CODES/STANDARDS-CSA/CMVSS

1B1 CODES/STANDARDS USA

1B1 265

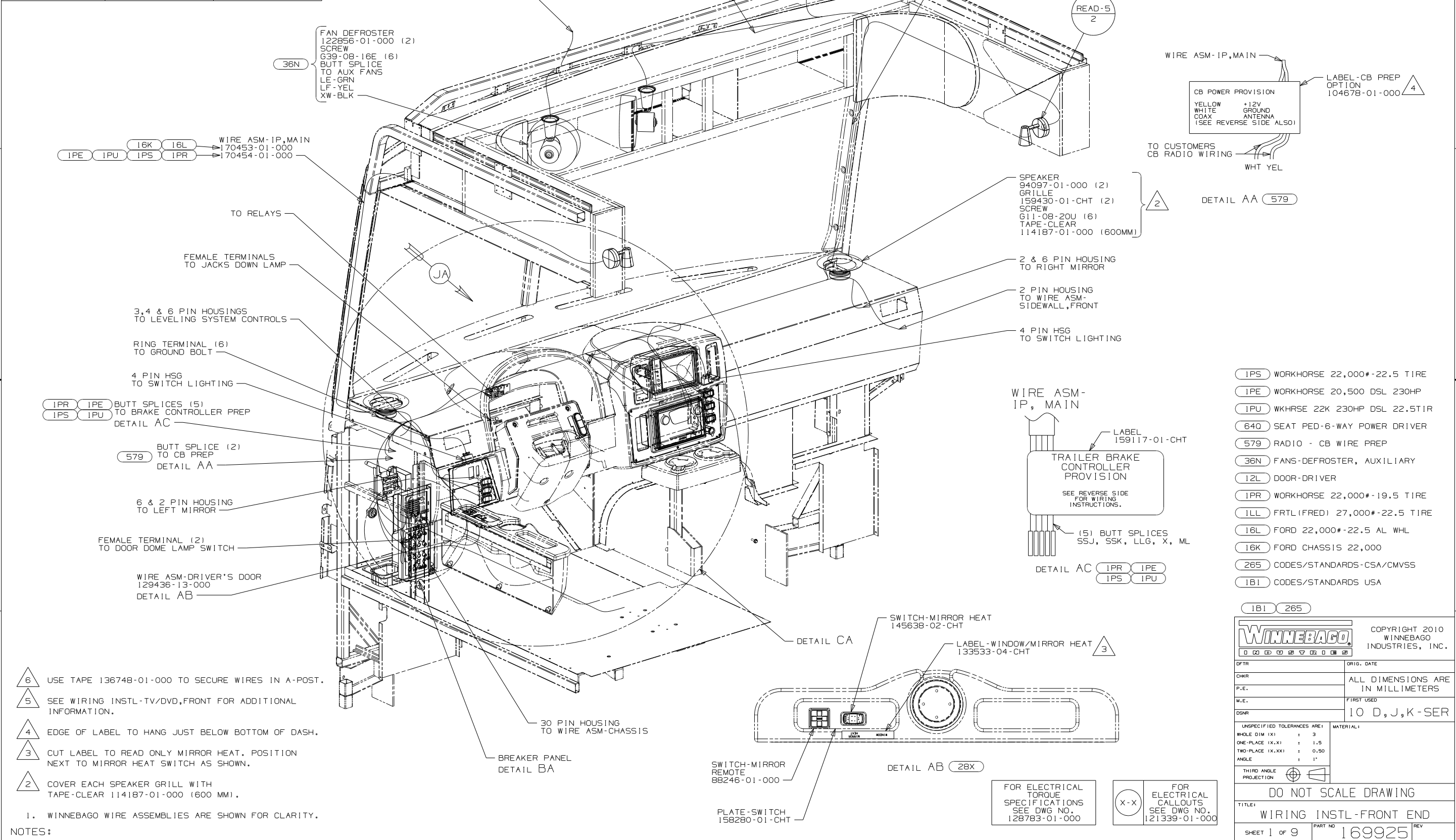
FIRST USED	
10 J-SERIES	
DO NOT SCALE DRAWING	
TITLE:	
WIRING INSTL-EXTERIOR LAMPS	
SHEET 3	PART NO 171037 REV

FOR ELECTRICAL TORQUE SPECIFICATIONS SEE DWG NO. 128783-01-000

FOR ELECTRICAL CALLOUTS SEE DWG NO. 121339-01-000

DRAWING NO.	MODEL	SHEETS
169925-01	D-SERIES	1,2,3,4,9
169925-02	J-SERIES	5,6,7,8,9
169925-03	K-SERIES	5,6,7,8,9

RELEASE	REV DATE	DWG NO	169925
REV ZONE	REVISION RECORD	DATE	DFTR-ORIG



- (IPS) WORKHORSE 22,000#-22.5 TIRE
- (IPE) WORKHORSE 20,500 DSL 230HP
- (IPU) WKHRSE 22K 230HP DSL 22.5T1R
- (640) SEAT PED-6-WAY POWER DRIVER
- (579) RADIO - CB WIRE PREP
- (36N) FANS-DEFROSTER, AUXILIARY
- (12L) DOOR-DRIVER
- (IPR) WORKHORSE 22,000#-19.5 TIRE
- (ILL) FRTL(FRED) 27,000#-22.5 TIRE
- (16L) FORD 22,000#-22.5 AL WHL
- (16K) FORD CHASSIS 22,000
- (265) CODES/STANDARDS-CSA/CMVSS
- (1B1) CODES/STANDARDS USA

- 6 USE TAPE 136748-01-000 TO SECURE WIRES IN A-POST.
- 5 SEE WIRING INSTL-TV/DVD,FRONT FOR ADDITIONAL INFORMATION.
- 4 EDGE OF LABEL TO HANG JUST BELOW BOTTOM OF DASH.
- 3 CUT LABEL TO READ ONLY MIRROR HEAT. POSITION NEXT TO MIRROR HEAT SWITCH AS SHOWN.
- 2 COVER EACH SPEAKER GRILLE WITH TAPE-CLEAR 114187-01-000 (600 MM).

1. WINNEBAGO WIRE ASSEMBLIES ARE SHOWN FOR CLARITY.

NOTES:

WINNEBAGO COPYRIGHT 2010 WINNEBAGO INDUSTRIES, INC.

DFTR	ORIG. DATE
CHKR	ALL DIMENSIONS ARE IN MILLIMETERS
P.E.	
M.E.	FIRST USED
DSNR	10 D, J, K -SER

UNSPECIFIED TOLERANCES ARE:

WHOLE DIM (X)	: 3	MATERIAL:
ONE-PLACE (X.X)	: 1.5	
TWO-PLACE (X.XX)	: 0.50	
ANGLE	: 1°	

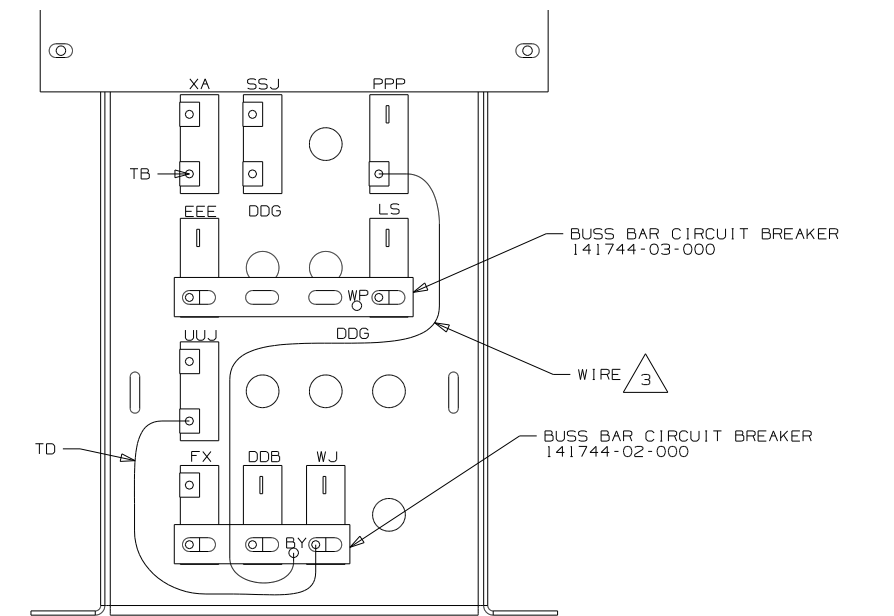
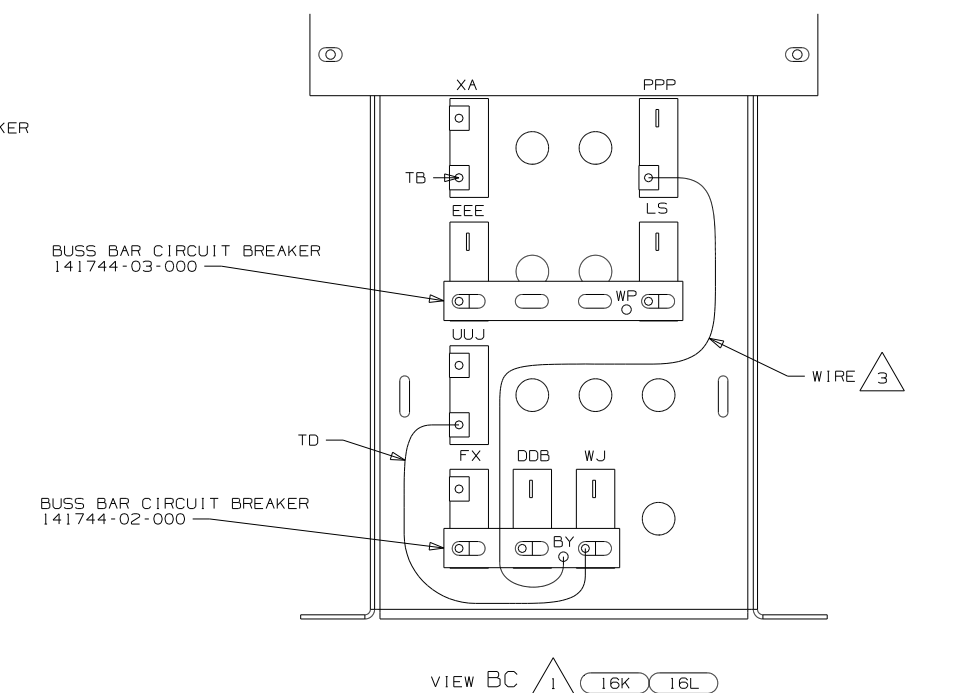
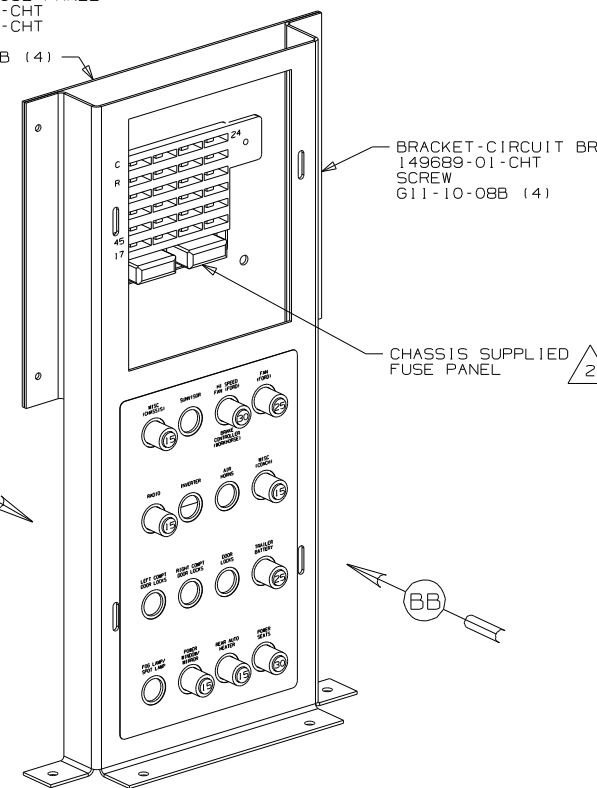
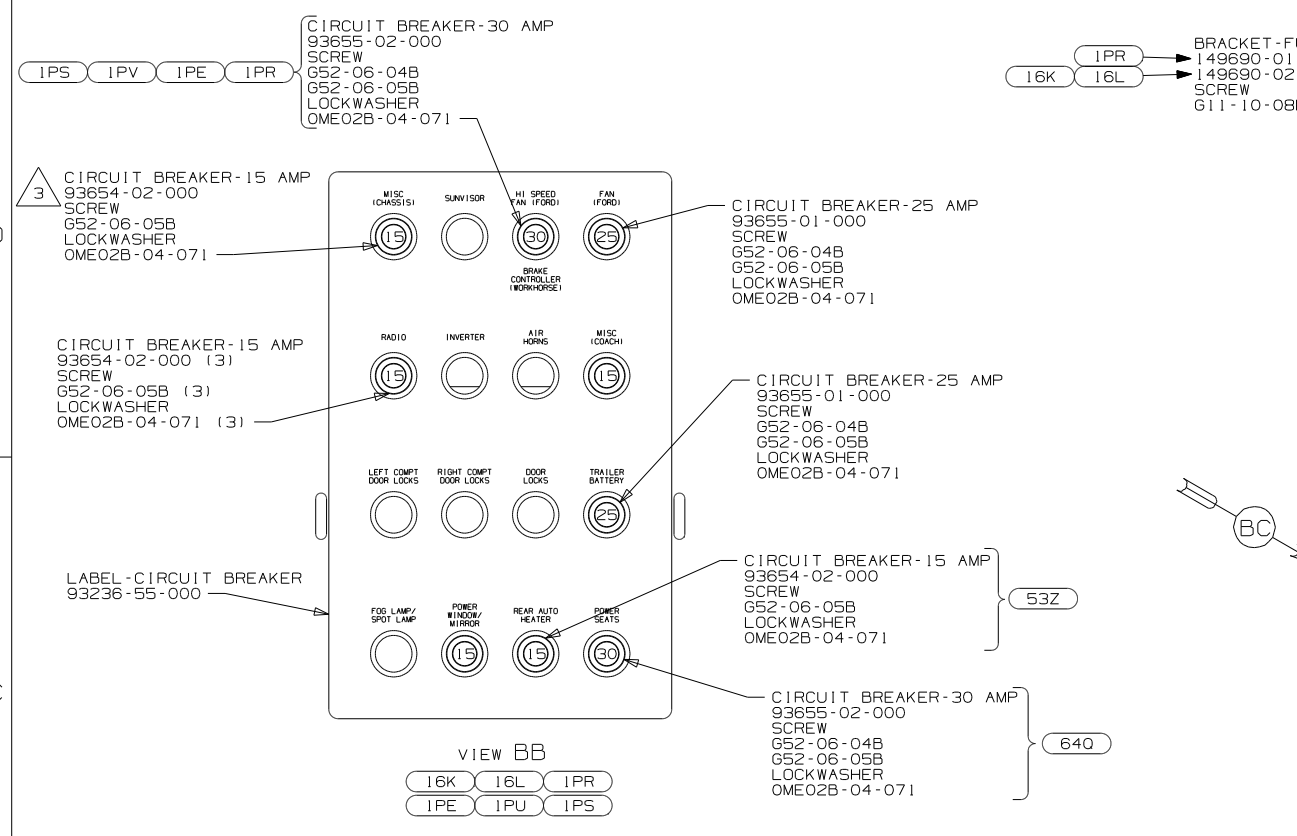
THIRD ANGLE PROJECTION

DO NOT SCALE DRAWING

TITLE: WIRING INSTL-FRONT END

SHEET 1 of 9 PART NO 169925 REV

REF: 16/10/2010



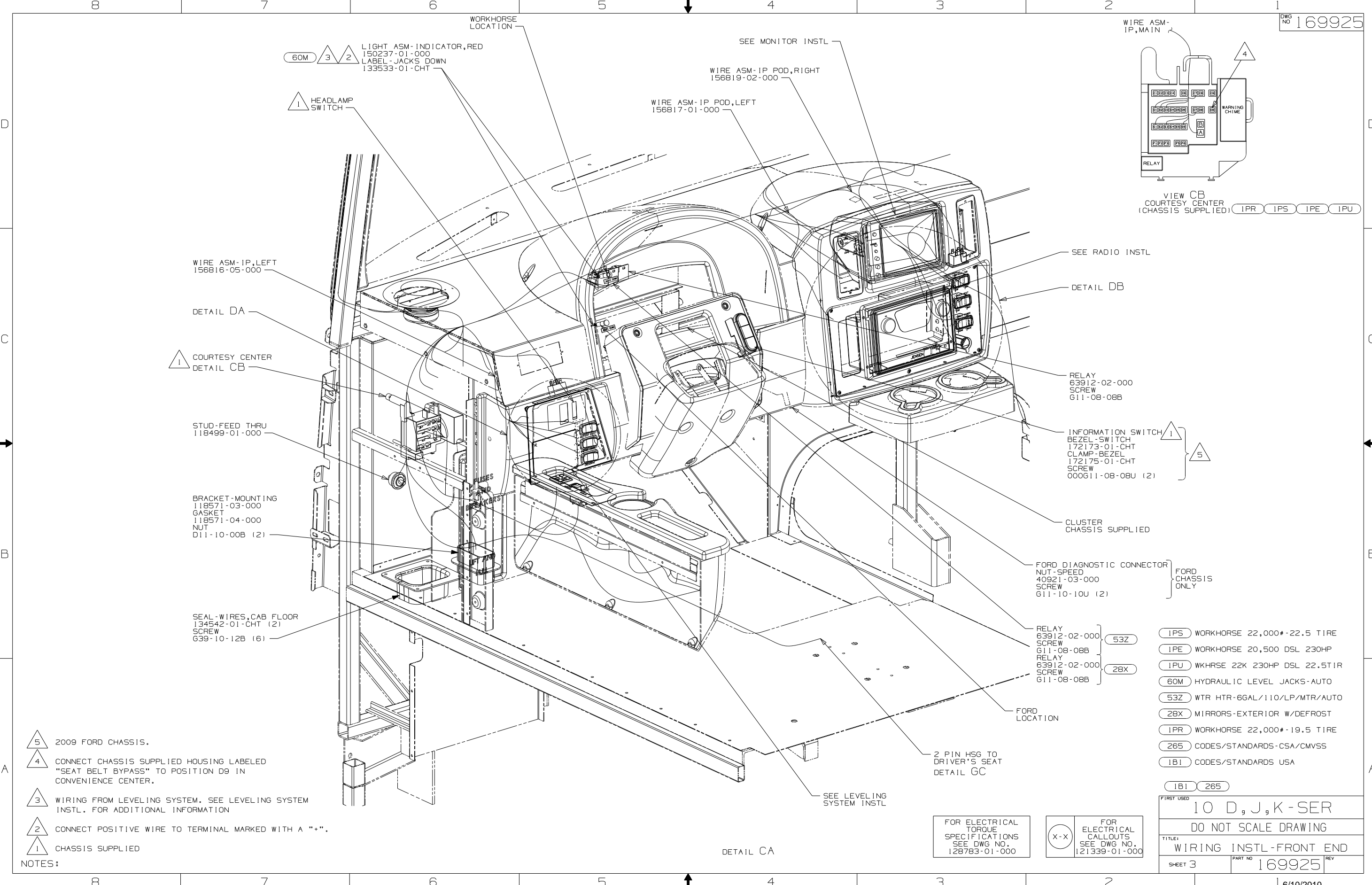
- NOTES:**
- 4 CONNECT DDG TO HOLE IN BUSS BAR OR TO BOTTOM LUG OF 30 AMP BREAKER.
 - 3 USED ON D37L & D33C ONLY.
 - 2 WORKHORSE PANEL SHOWN.
 - 1 ALL CIRCUITS ARE IN WIRE ASM-IP,MAIN.

- 1PE WORKHORSE 20,500 DSL 230HP
- 1PU WKHRSE 22K 230HP DSL 22.5T1R
- 1PS WORKHORSE 22,000#-22.5 TIRE
- 640 SEAT PED-6-WAY POWER DRIVER
- 53Z WTR HTR-6GAL/110/LP/MTR/AUTO
- 1PR WORKHORSE 22,000#-19.5 TIRE
- 16L FORD 22,000#-22.5 AL WHL
- 16K FORD CHASSIS 22,000
- 265 CODES/STANDARDS-CSA/CMVSS
- 1B1 CODES/STANDARDS USA

FOR ELECTRICAL TORQUE SPECIFICATIONS SEE DWG NO. 128783-01-000

FOR ELECTRICAL CALLOUTS SEE DWG NO. 121339-01-000

FIRST USED	
10 D, J, K-SER	
DO NOT SCALE DRAWING	
TITLE: WIRING INSTL-FRONT END	
SHEET 2	PART NO 169925 REV



60M LIGHT ASM-INDICATOR, RED
150237-01-000
LABEL-JACKS DOWN
133533-01-CHT

HEADLAMP SWITCH

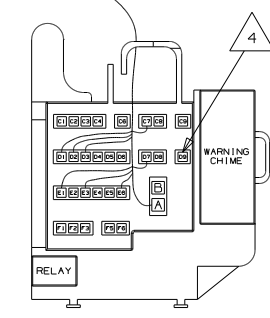
WORKHORSE LOCATION

SEE MONITOR INSTL

WIRE ASM-IP, RIGHT
156819-02-000

WIRE ASM-IP, LEFT
156817-01-000

WIRE ASM-IP, MAIN



VIEW CB
COURTESY CENTER
(CHASSIS SUPPLIED) IPR IPS IPE IPU

WIRE ASM-IP, LEFT
156816-05-000

DETAIL DA

COURTESY CENTER
DETAIL CB

STUD-FEED THRU
118499-01-000

BRACKET-MOUNTING
118571-03-000
GASKET
118571-04-000
NUT
D11-10-00B (2)

SEAL-WIRES, CAB FLOOR
134542-01-CHT (2)
SCREW
639-10-12B (6)

SEE RADIO INSTL

DETAIL DB

RELAY
63912-02-000
SCREW
G11-08-08B

INFORMATION SWITCH
BEZEL-SWITCH
172173-01-CHT
CLAMP-BEZEL
172175-01-CHT
SCREW
000G11-08-08U (2)

CLUSTER
CHASSIS SUPPLIED

FORD DIAGNOSTIC CONNECTOR
NUT-SPEED
40921-03-000
SCREW
G11-10-10U (2)

FORD
CHASSIS
ONLY

RELAY
63912-02-000
SCREW
G11-08-08B
RELAY
63912-02-000
SCREW
G11-08-08B

53Z

28X

FORD
LOCATION

2 PIN HSG TO
DRIVER'S SEAT
DETAIL GC

SEE LEVELING
SYSTEM INSTL

DETAIL CA

- NOTES:
- 5 2009 FORD CHASSIS.
 - 4 CONNECT CHASSIS SUPPLIED HOUSING LABELED "SEAT BELT BYPASS" TO POSITION D9 IN CONVENIENCE CENTER.
 - 3 WIRING FROM LEVELING SYSTEM. SEE LEVELING SYSTEM INSTL. FOR ADDITIONAL INFORMATION
 - 2 CONNECT POSITIVE WIRE TO TERMINAL MARKED WITH A "+".
 - 1 CHASSIS SUPPLIED

FOR ELECTRICAL
TORQUE
SPECIFICATIONS
SEE DWG NO.
128783-01-000

FOR ELECTRICAL
CALLOUTS
SEE DWG NO.
121339-01-000

- IPS WORKHORSE 22,000#-22.5 TIRE
- IPE WORKHORSE 20,500 DSL 230HP
- IPU WKHRSE 22K 230HP DSL 22.5T1R
- 60M HYDRAULIC LEVEL JACKS-AUTO
- 53Z WTR HTR-6GAL/110/LP/MTR/AUTO
- 28X MIRRORS-EXTERIOR W/DEFROST
- IPR WORKHORSE 22,000#-19.5 TIRE
- 265 CODES/STANDARDS-CSA/CMVSS
- 1B1 CODES/STANDARDS USA

FIRST USED	
10 D, J, K-SER	
DO NOT SCALE DRAWING	
TITLE: WIRING INSTL-FRONT END	
SHEET 3	PART NO 169925 REV

LAMP ASM
157655-01-CHT
STRAP
120840-24-CHT
SCREW
611-10-20U (2)

INSERT-SWITCH
155589-02-CHT
WASHER
E13-10-00U (4)
NUT
D65-08-00U (4)
APPLIQUE
156292-08-CHT

LAMP ASM
157655-01-CHT
STRAP
120840-24-CHT
SCREW
611-10-20U (2)

INSERT-SWITCH
155589-04-CHT
MOUNT-HEADLAMP-SWITCH
155516-01-CHT
SEAL
155523-01-CHT
WASHER
E13-10-00U (7)
NUT
D65-08-00U (7)
APPLIQUE
156292-10-CHT

1A4
PLATE
134149-01-CHT
APPLIQUE
156292-11-CHT
SCREW
611-08-12U (4)

SWITCH-BATTERY BOOST
145638-04-CHT

SWITCH-GRADE BRAKE
145638-01-CHT
DETAIL DE

SWITCH-OVERDRIVE
145638-14-CHT
DETAIL DF

SWITCH-BATTERY BOOST
145638-04-CHT

1A4
PLATE
134149-01-CHT
APPLIQUE
156292-11-CHT
SCREW
611-08-12U (4)

DETAIL DA (IPR)

DETAIL DA (16L)

LAMP ASM
157655-01-CHT
STRAP
120840-24-CHT
SCREW
611-10-20U (2)

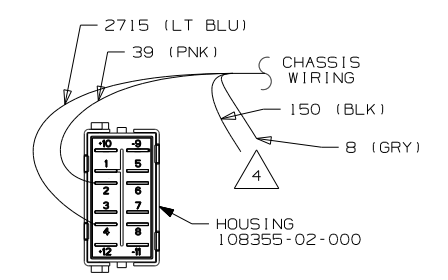
SWITCH-BLANK
145754-01-CHT

INSERT-SWITCH
155589-08-CHT
WASHER
E13-10-00U (4)
NUT
D65-08-00U (4)
APPLIQUE
156292-21-CHT

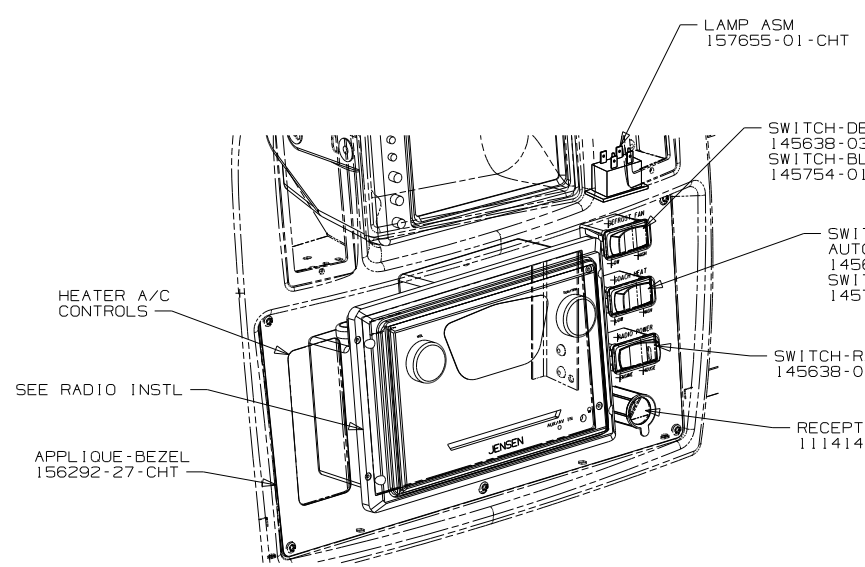
HEADLAMP-SWITCH
REF
NUT
D27-08-00U (3)

SWITCH-BATTERY BOOST
145638-04-CHT

SWITCH-EXHAUST BRAKE
145638-08-CHT
WIRE ASM-EXHAUST BRAKE
157534-02-000



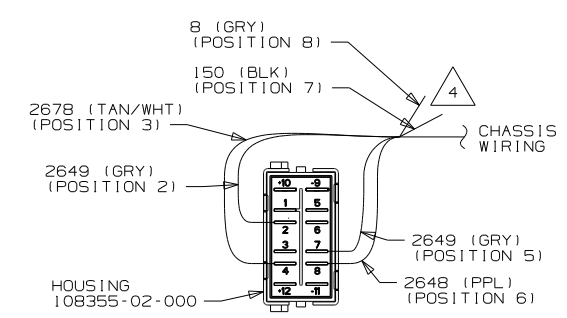
DETAIL DE (GRADE BRAKE SWITCH)



DETAIL DB

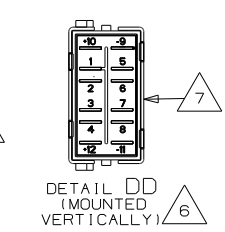
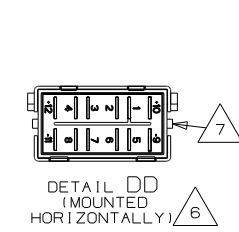
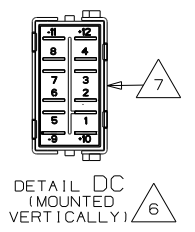
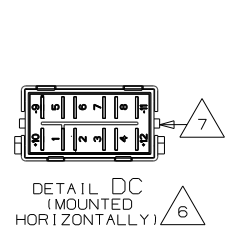
1A4
PLATE
134149-01-CHT
APPLIQUE
156292-11-CHT
SCREW
611-08-12U (4)

DETAIL DA (ILL)



DETAIL DF (OVERDRIVE SWITCH)

- NOTES:
- 7 WITH SWITCH INSTALLED THIS SIDE OF SWITCH WILL FACE LEFT SIDEWALL.
 - 6 DETAIL IS LOOKING AT SWITCH FROM THE BACK SIDE OF SWITCH AS ITS INSTALLED.
 - 5 POSITIONS NOTED IN PARENTHESIS ARE LOCATIONS IN WORKHORSE SUPPLIED HOUSING.
 - 4 REMOVE TERMINALS & TAPE BACK TO LOOM.
 - 3 WITHOUT (36N)
 - 2 SEE DETAIL DC FOR ORIENTATION.
 - 1 SEE DETAIL DD FOR ORIENTATION.

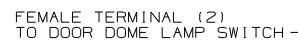
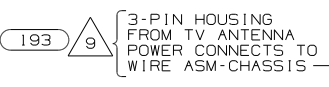
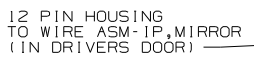
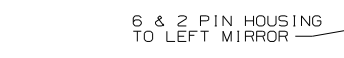
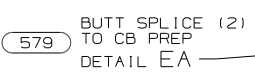
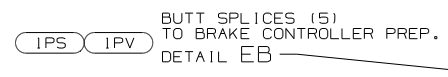
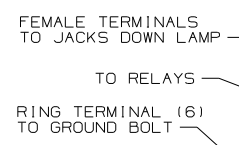
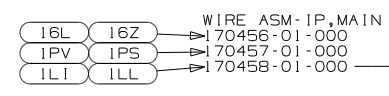
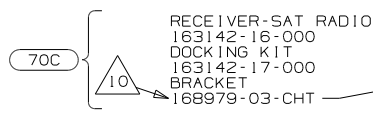
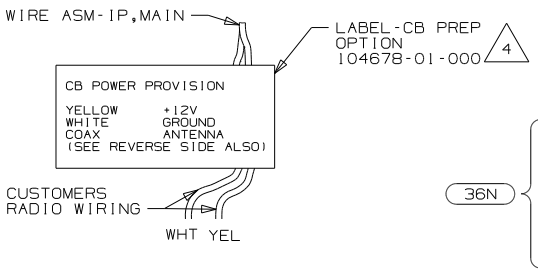
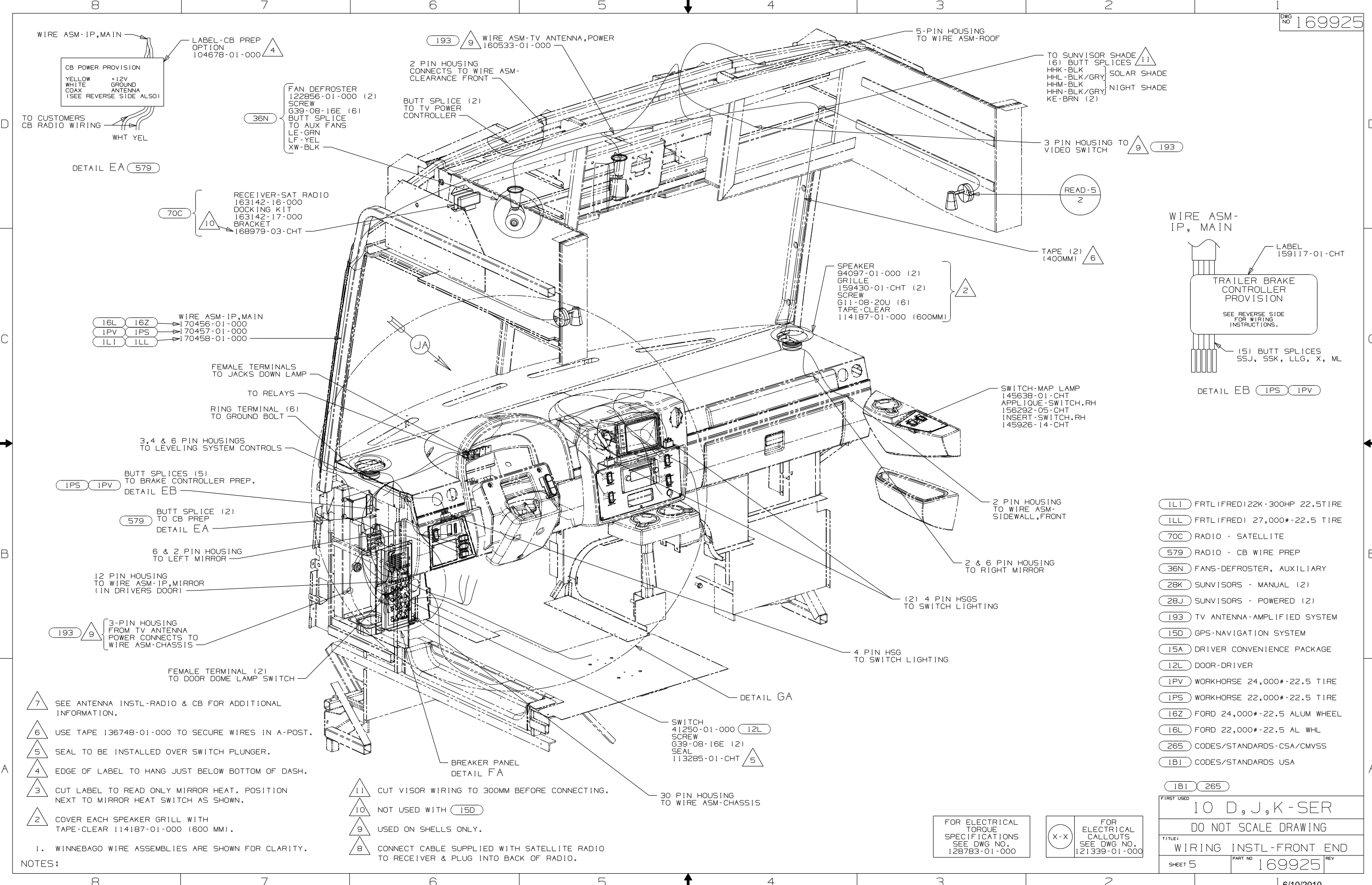


- (53Z) WTR HTR-6GAL/110/LP/MTR/AUTO
- (53F) WATER HEATER-ELEC. IGNITION
- (36N) FANS-DEFROSTER, AUXILIARY
- (1A4) LEVELING JACK WITHOUT
- (IPR) WORKHORSE 22,000#-19.5 TIRE
- (ILL) FRTL(FRED) 27,000#-22.5 TIRE
- (16L) FORD 22,000#-22.5 AL WHL
- (16K) FORD CHASSIS 22,000
- (265) CODES/STANDARDS-CSA/CMVSS
- (1B1) CODES/STANDARDS USA

FOR ELECTRICAL TORQUE SPECIFICATIONS SEE DWG NO. 128783-01-000

FOR ELECTRICAL CALLOUTS SEE DWG NO. 121339-01-000

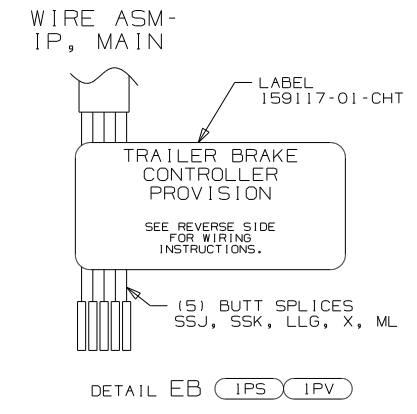
FIRST USED	
10 D, J, K - SER	
DO NOT SCALE DRAWING	
TITLE: WIRING INSTL-FRONT END	
SHEET 4	PART NO 169925 REV



- 7 SEE ANTENNA INSTL-RADIO & CB FOR ADDITIONAL INFORMATION.
- 6 USE TAPE 136748-01-000 TO SECURE WIRES IN A-POST.
- 5 SEAL TO BE INSTALLED OVER SWITCH PLUNGER.
- 4 EDGE OF LABEL TO HANG JUST BELOW BOTTOM OF DASH.
- 3 CUT LABEL TO READ ONLY MIRROR HEAT. POSITION NEXT TO MIRROR HEAT SWITCH AS SHOWN.
- 2 COVER EACH SPEAKER GRILLE WITH TAPE-CLEAR 114187-01-000 (600 MM).

- 11 CUT VISOR WIRING TO 300MM BEFORE CONNECTING.
- 10 NOT USED WITH 15D
- 9 USED ON SHELLS ONLY.
- 8 CONNECT CABLE SUPPLIED WITH SATELLITE RADIO TO RECEIVER & PLUG INTO BACK OF RADIO.

NOTES:
1. WINNEBAGO WIRE ASSEMBLIES ARE SHOWN FOR CLARITY.

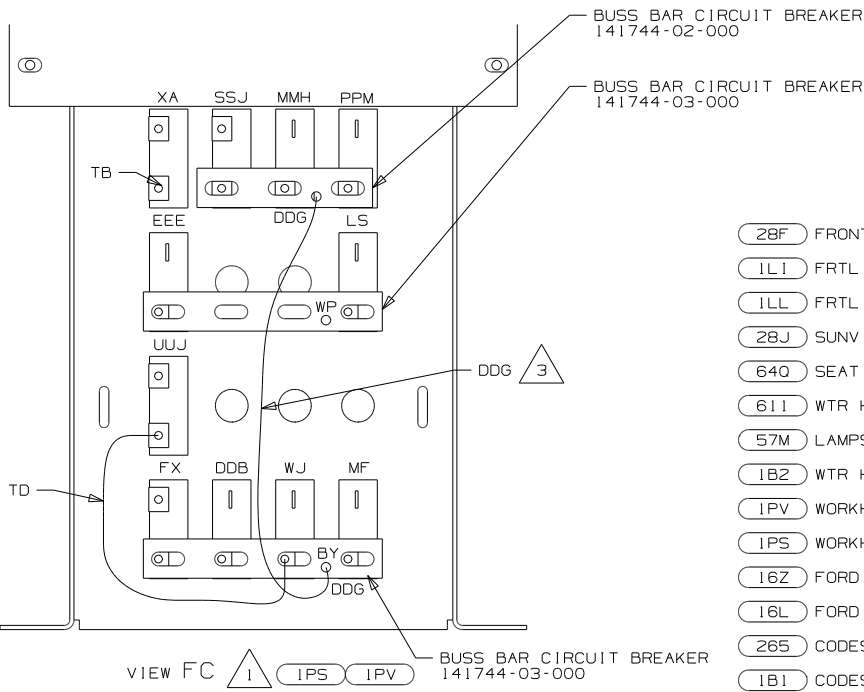
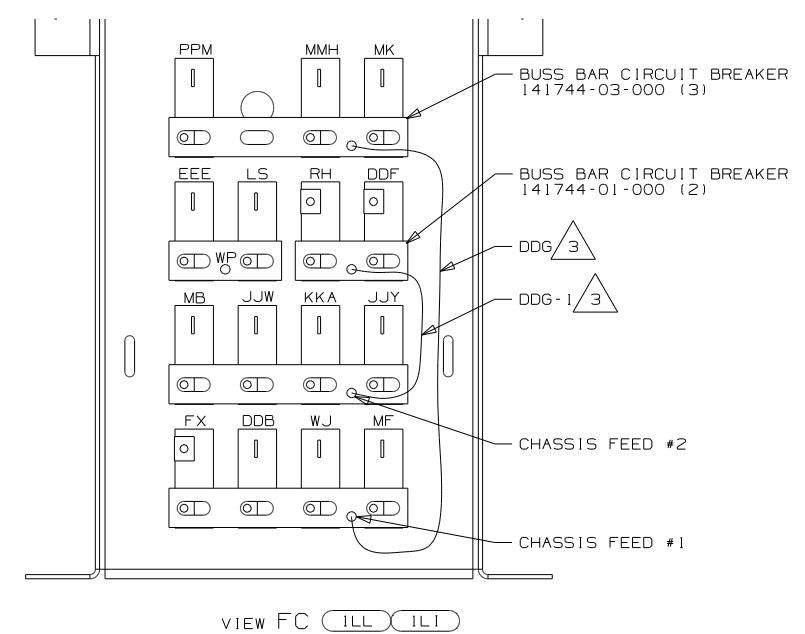
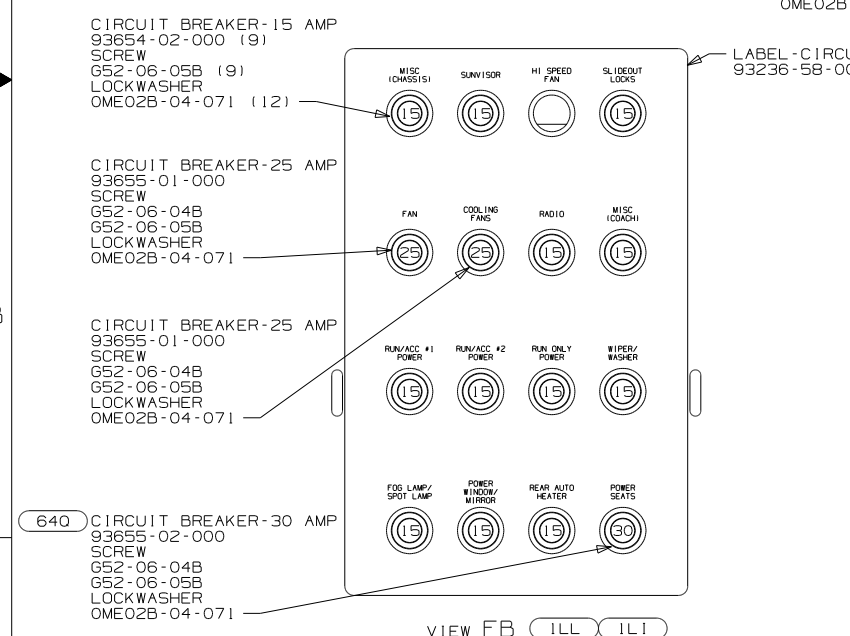
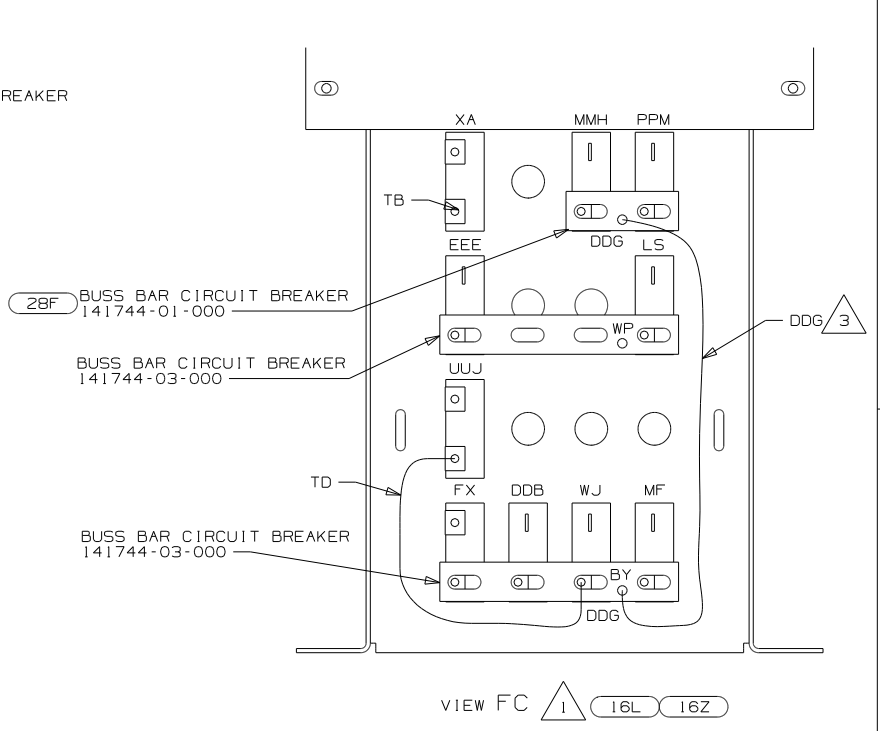
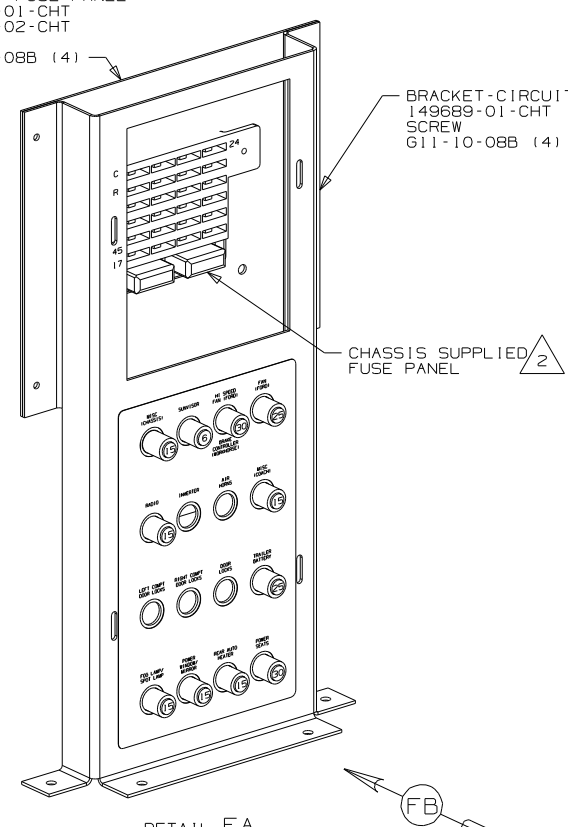
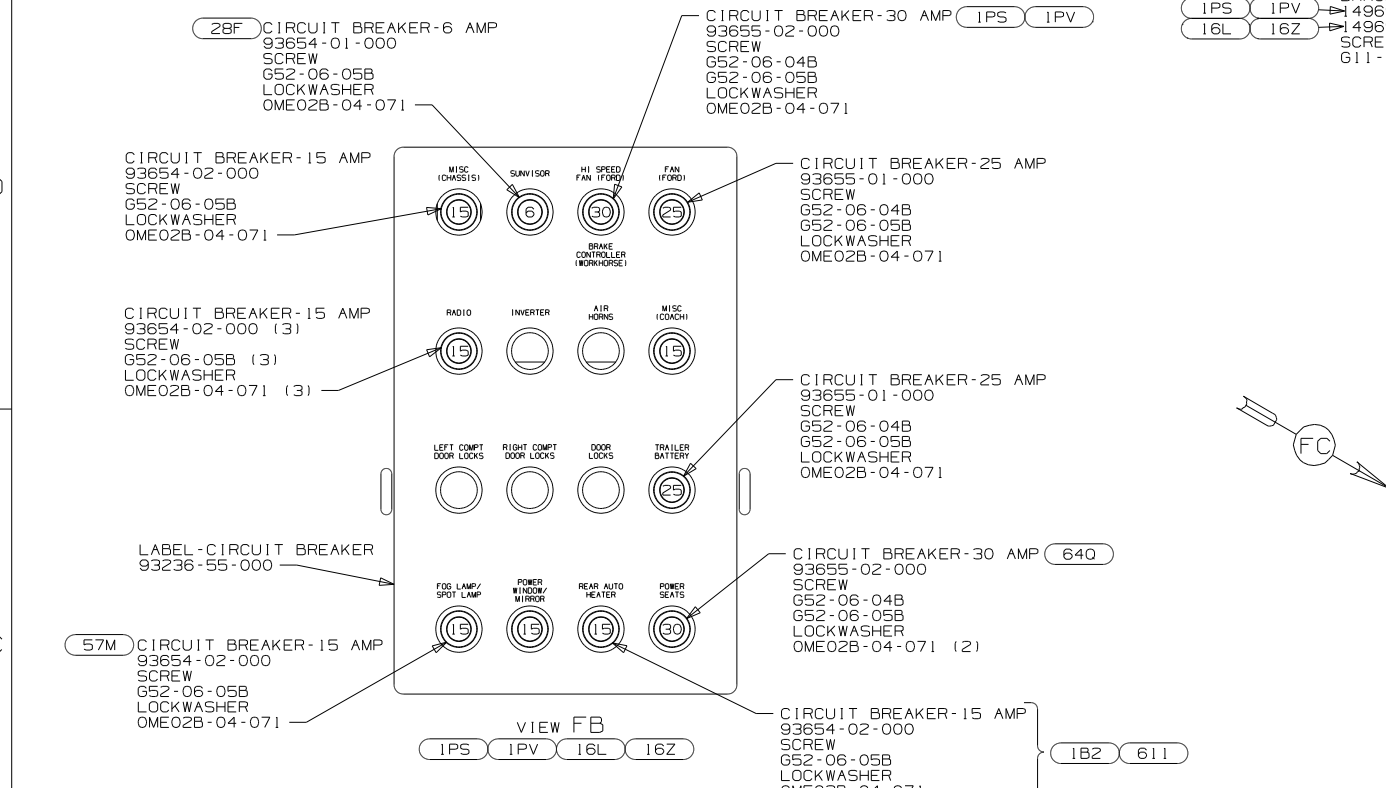


- 1LI FRTL (FRED) 22K-300HP 22.5 TIRE
- 1LL FRTL (FRED) 27,000#-22.5 TIRE
- 70C RADIO - SATELLITE
- 579 RADIO - CB WIRE PREP
- 36N FANS-DEFROSTER, AUXILIARY
- 28K SUNVISORS - MANUAL (2)
- 28J SUNVISORS - POWERED (2)
- 193 TV ANTENNA-AMPLIFIED SYSTEM
- 15D GPS-NAVIGATION SYSTEM
- 15A DRIVER CONVENIENCE PACKAGE
- 12L DOOR-DRIVER
- 1PV WORKHORSE 24,000#-22.5 TIRE
- 1PS WORKHORSE 22,000#-22.5 TIRE
- 16Z FORD 24,000#-22.5 ALUM WHEEL
- 16L FORD 22,000#-22.5 AL WHL
- 265 CODES/STANDARDS-CSA/CMVSS
- 1B1 CODES/STANDARDS USA

FIRST USED	
10 D, J, K - SER	
DO NOT SCALE DRAWING	
TITLE: WIRING INSTL-FRONT END	
SHEET 5	PART NO 169925 REV

FOR ELECTRICAL TORQUE SPECIFICATIONS SEE DWG NO. 128783-01-000

FOR ELECTRICAL CALLOUTS SEE DWG NO. 121339-01-000



- (28F) FRONT SHADE-POWERED
- (IL1) FRTL (FRED) 22K-300HP 22.5TIRE
- (ILL) FRTL (FRED) 27,000#-22.5 TIRE
- (28J) SUNVISORS - POWERED (2)
- (640) SEAT PED-6-WAY POWER DRIVER
- (611) WTR HTR-AUX AUTO/MOTORAID
- (57M) LAMPS-FOG
- (1B2) WTR HTR-10GAL/ELEC/LP/MTRAIID
- (1PV) WORKHORSE 24,000#-22.5 TIRE
- (1PS) WORKHORSE 22,000#-22.5 TIRE
- (16Z) FORD 24,000#-22.5 ALUM WHEEL
- (16L) FORD 22,000#-22.5 AL WHL
- (265) CODES/STANDARDS-CSA/CMVSS
- (1B1) CODES/STANDARDS USA

NOTES:

3 CONNECT DDG TO HOLE IN BUSS BAR OR TO BOTTOM LUG OF 30 AMP BREAKER.

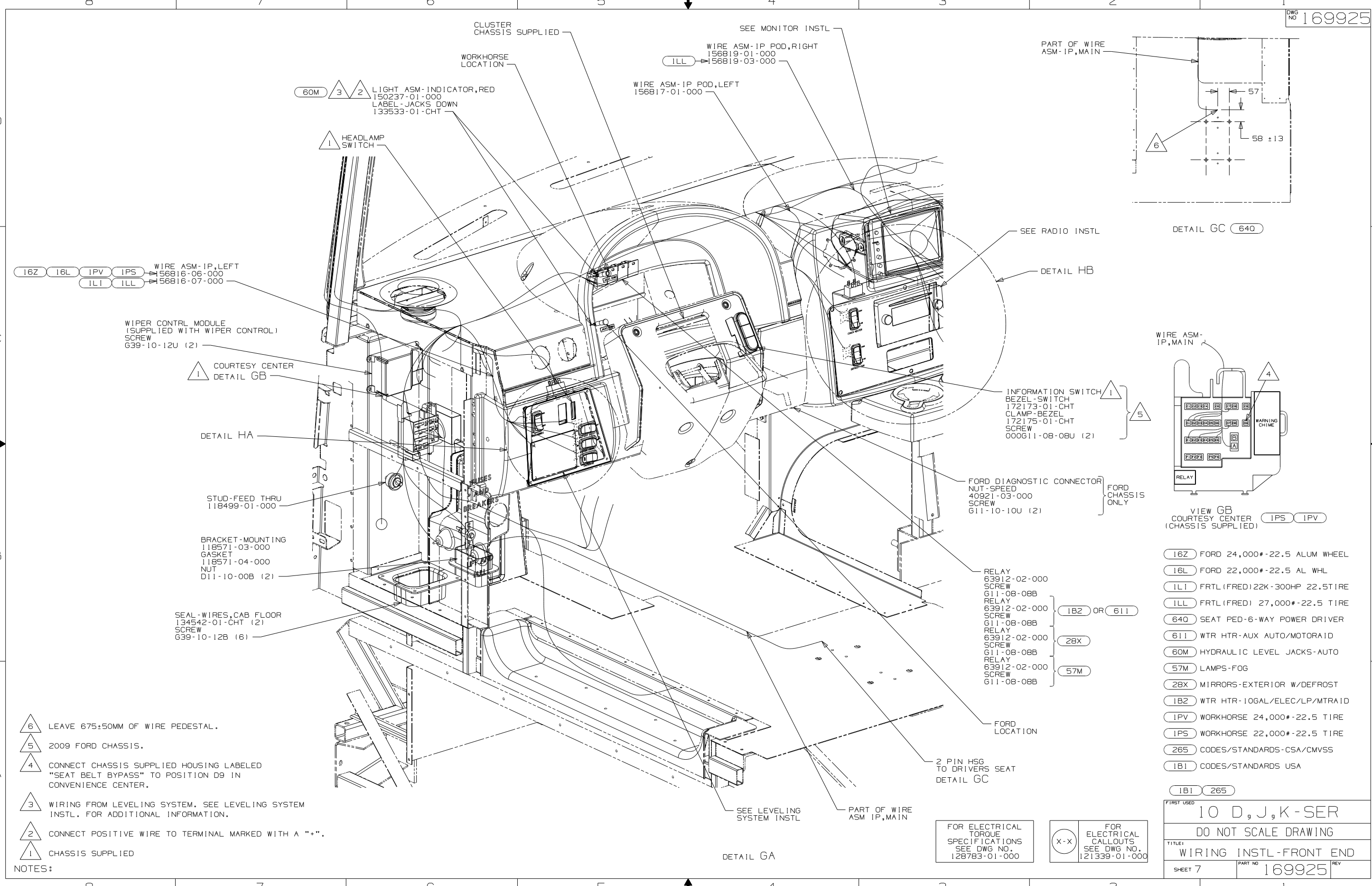
2 WORKHORSE PANEL SHOWN.

1 ALL CIRCUITS ARE IN WIRE ASM-IP,MAIN.

FOR ELECTRICAL TORQUE SPECIFICATIONS SEE DWG NO. 128783-01-000

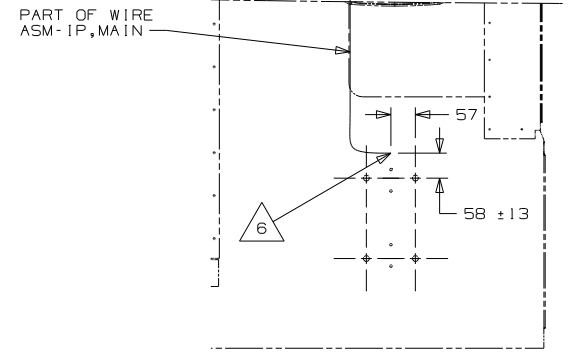
FOR ELECTRICAL CALLOUTS SEE DWG NO. 121339-01-000

FIRST USED	
10 D, J, K - SER	
DO NOT SCALE DRAWING	
TITLE: WIRING INSTL-FRONT END	
SHEET 6	PART NO 169925 REV



60M 3 2 LIGHT ASM-INDICATOR, RED
150237-01-000
LABEL-JACKS DOWN
133533-01-CHT

WIRE ASM-IP, RIGHT
156819-01-000
156819-03-000
WIRE ASM-IP, LEFT
156817-01-000



16Z 16L 1PV 1PS WIRE ASM-IP, LEFT
156816-06-000
156816-07-000
1L1 1LL

WIPER CONTRL MODULE
(SUPPLIED WITH WIPER CONTROL)
SCREW
639-10-12U (2)

1 COURTESY CENTER
DETAIL GB

DETAIL HA

STUD-FEED THRU
118499-01-000

BRACKET-MOUNTING
118571-03-000
GASKET
118571-04-000
NUT
D11-10-00B (2)

SEAL-WIRES, CAB FLOOR
134542-01-CHT (2)
SCREW
639-10-12B (6)

INFORMATION SWITCH
BEZEL-SWITCH
172173-01-CHT
CLAMP-BEZEL
172175-01-CHT
SCREW
000G11-08-08U (2)

FORD DIAGNOSTIC CONNECTOR
NUT-SPEED
40921-03-000
SCREW
611-10-10U (2)

RELAY
63912-02-000
SCREW
G11-08-08B
RELAY
63912-02-000
SCREW
G11-08-08B
RELAY
63912-02-000
SCREW
G11-08-08B
RELAY
63912-02-000
SCREW
G11-08-08B

1B2 OR 611

28X

57M

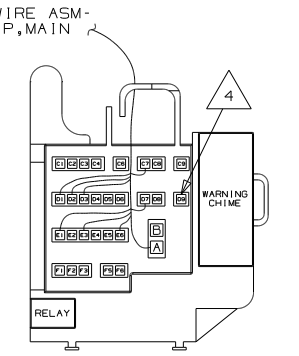
FORD LOCATION

2 PIN HSG
TO DRIVERS SEAT
DETAIL GC

SEE LEVELING SYSTEM INSTL

PART OF WIRE
ASM IP, MAIN

DETAIL GA



VIEW GB
COURTESY CENTER
(CHASSIS SUPPLIED)

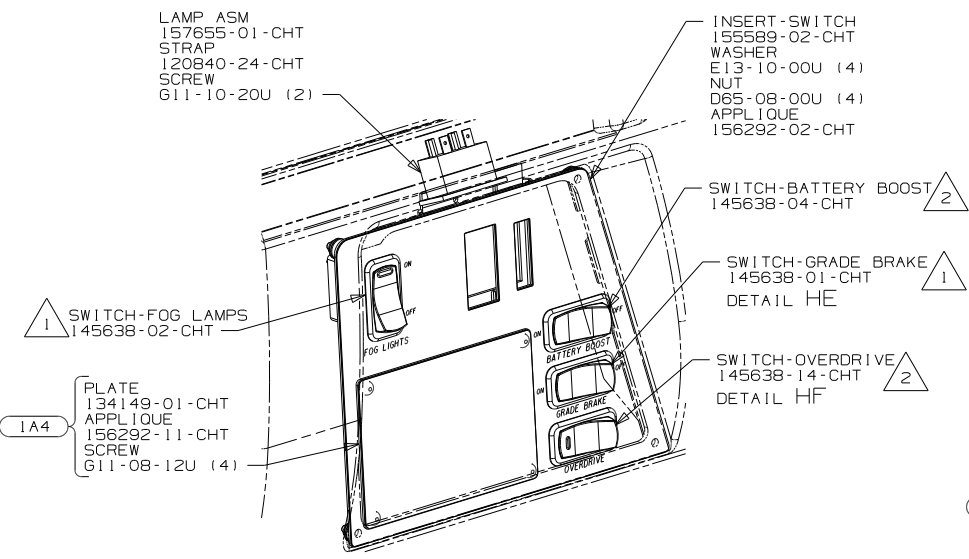
- 16Z FORD 24,000#-22.5 ALUM WHEEL
- 16L FORD 22,000#-22.5 AL WHL
- 1L1 FRTL (FRED) 22K-300HP 22.5 TIRE
- 1LL FRTL (FRED) 27,000#-22.5 TIRE
- 640 SEAT PED-6-WAY POWER DRIVER
- 611 WTR HTR-AUX AUTO/MOTORAID
- 60M HYDRAULIC LEVEL JACKS-AUTO
- 57M LAMPS-FOG
- 28X MIRRORS-EXTERIOR W/DEFROST
- 1B2 WTR HTR-10GAL/ELEC/LP/MTR AID
- 1PV WORKHORSE 24,000#-22.5 TIRE
- 1PS WORKHORSE 22,000#-22.5 TIRE
- 265 CODES/STANDARDS-CSA/CMVSS
- 1B1 CODES/STANDARDS USA

- 6 LEAVE 675±50MM OF WIRE PEDESTAL.
- 5 2009 FORD CHASSIS.
- 4 CONNECT CHASSIS SUPPLIED HOUSING LABELED "SEAT BELT BYPASS" TO POSITION D9 IN CONVENIENCE CENTER.
- 3 WIRING FROM LEVELING SYSTEM. SEE LEVELING SYSTEM INSTL. FOR ADDITIONAL INFORMATION.
- 2 CONNECT POSITIVE WIRE TO TERMINAL MARKED WITH A "+".
- 1 CHASSIS SUPPLIED

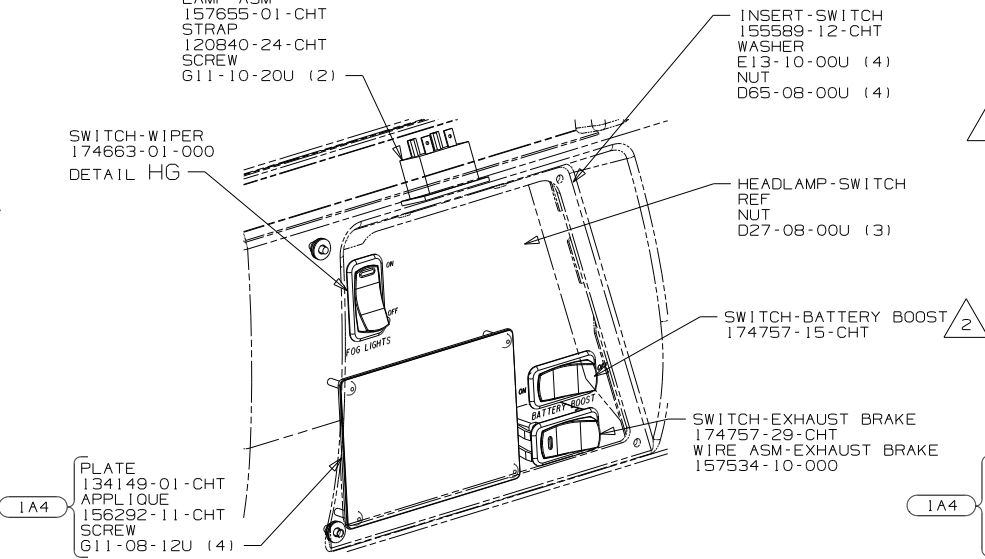
FOR ELECTRICAL TORQUE SPECIFICATIONS SEE DWG NO. 128783-01-000

FOR ELECTRICAL CALLOUTS SEE DWG NO. 121339-01-000

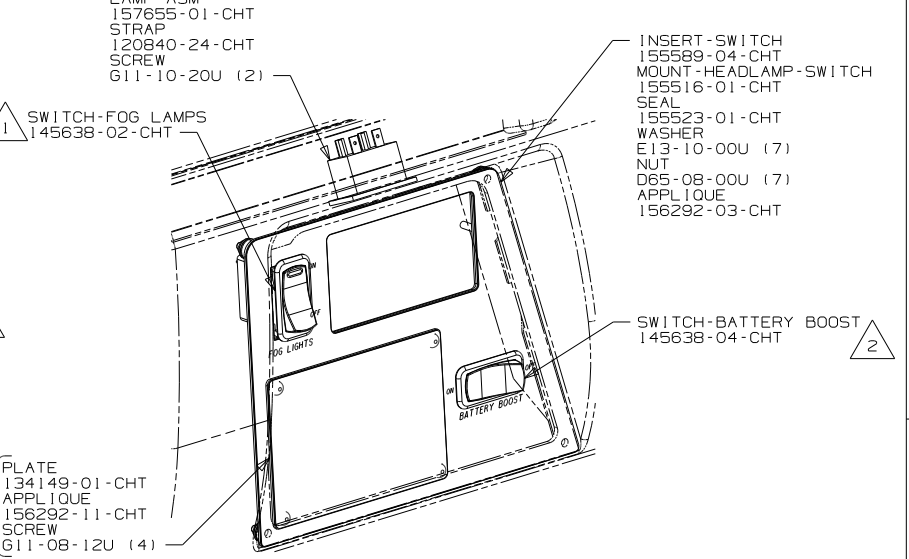
FIRST USED
10 D, J, K-SER
DO NOT SCALE DRAWING
TITLE:
WIRING INSTL-FRONT END
SHEET 7 PART NO 169925 REV
16/10/2010



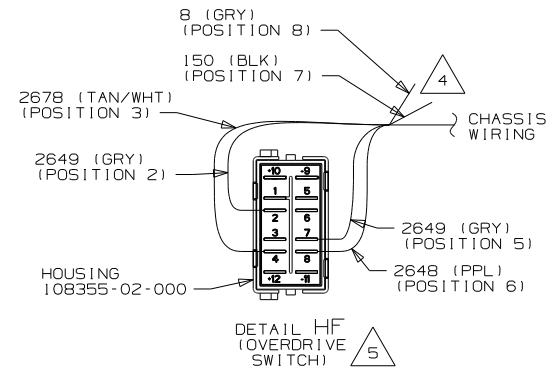
DETAIL HA (IPS IPV)



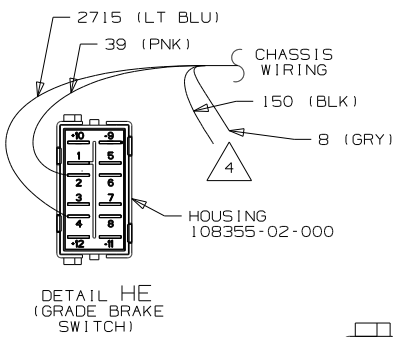
DETAIL HA (ILL ILI)



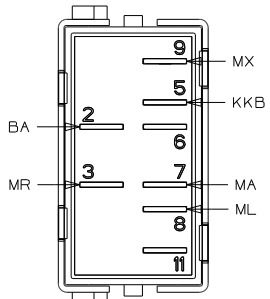
DETAIL HA (16L 16Z)



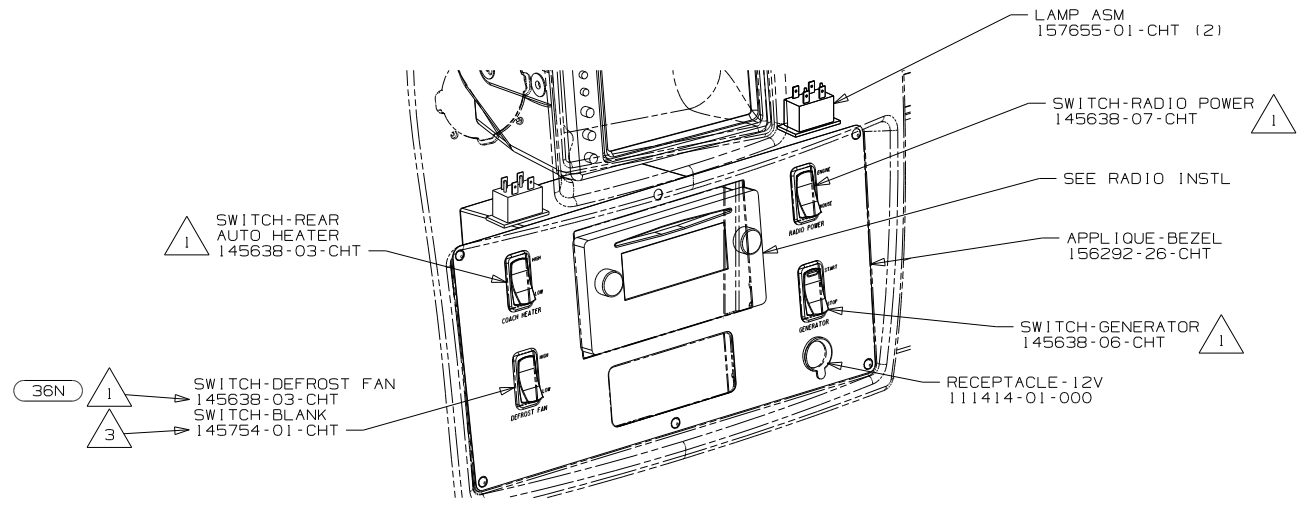
DETAIL HF (OVERDRIVE SWITCH)



DETAIL HE (GRADE BRAKE SWITCH)

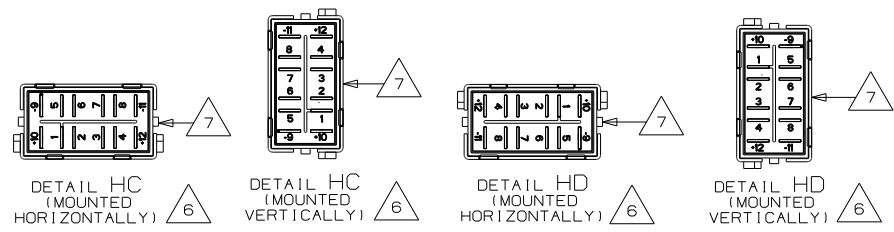


DETAIL HG (REAR OF WIPER SWITCH)



DETAIL HB

- NOTES:
- 7 WITH SWITCH INSTALLED THIS SIDE OF SWITCH WILL FACE LEFT SIDEWALL.
 - 6 DETAIL IS LOOKING AT SWITCH FROM THE BACK SIDE OF SWITCH AS ITS INSTALLED.
 - 5 POSITIONS NOTED IN PARENTHESIS ARE LOCATIONS IN WORKHORSE SUPPLIED HOUSING.
 - 4 REMOVE TERMINALS & TAPE BACK TO LOOM.
 - 3 WITHOUT (36N)
 - 2 SEE DETAIL HC FOR ORIENTATION.
 - 1 SEE DETAIL HD FOR ORIENTATION.

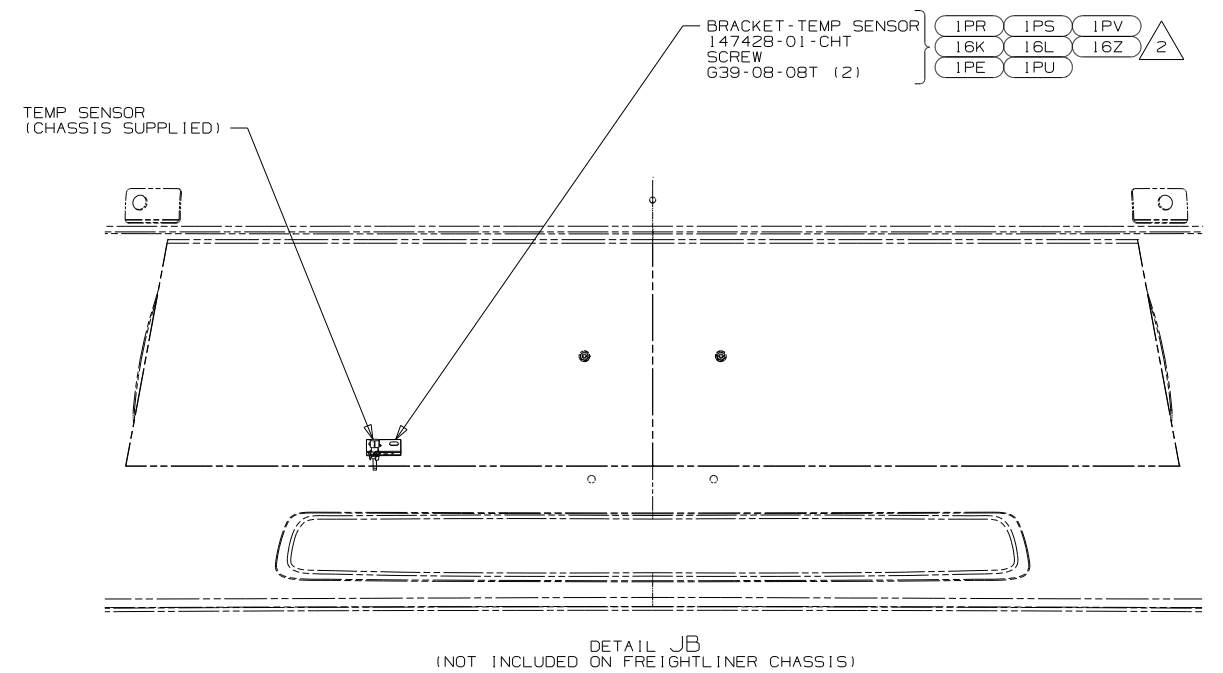
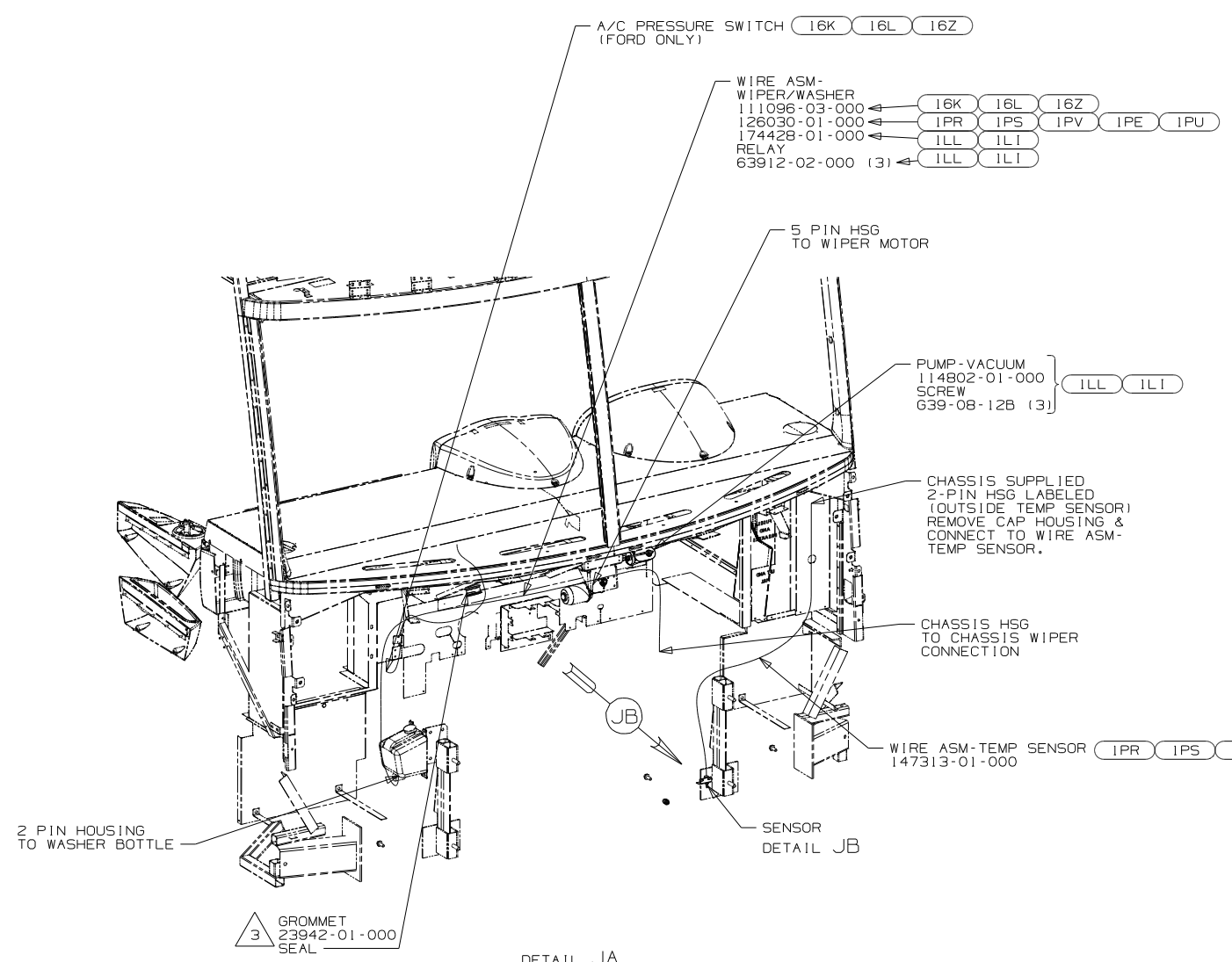


- (1L1) FRTL (FRED) 22K-300HP 22.5TIRE
- (1LL) FRTL (FRED) 27,000#-22.5 TIRE
- (36N) FANS-DEFROSTER, AUXILIARY
- (1A4) LEVELING JACK WITHOUT
- (1PV) WORKHORSE 24,000#-22.5 TIRE
- (1PS) WORKHORSE 22,000#-22.5 TIRE
- (16Z) FORD 24,000#-22.5 ALUM WHEEL
- (16L) FORD 22,000#-22.5 AL WHL
- (265) CODES/STANDARDS-CSA/CMVSS
- (1B1) CODES/STANDARDS USA

FOR ELECTRICAL TORQUE SPECIFICATIONS SEE DWG NO. 128783-01-000

(X-X) FOR ELECTRICAL CALLOUTS SEE DWG NO. 121339-01-000

FIRST USED	
10 D, J, K-SER	
DO NOT SCALE DRAWING	
TITLE: WIRING INSTL-FRONT END	
SHEET 8	PART NO 169925 REV



(ILI)	FRTL (FRED) 22K-300HP 22.5TIRE
(IPU)	WKHRSE 22K 230HP DSL 22.5TIR
(IPE)	WORKHORSE 20,500 DSL 230HP
(IPV)	WORKHORSE 24,000#-22.5 TIRE
(IPS)	WORKHORSE 22,000#-22.5 TIRE
(IPR)	WORKHORSE 22,000#-19.5 TIRE
(ILL)	FRTL (FRED) 27,000#-22.5 TIRE
(16Z)	FORD 24,000#-22.5 ALUM WHEEL
(16L)	FORD 22,000#-22.5 AL WHL
(16K)	FORD CHASSIS 22,000
(265)	CODES/STANDARDS-CSA/CMVSS
(1B1)	CODES/STANDARDS USA

- 3 ROUTE WIRES THROUGH HOLE IN STEEL.
- 2 MOUNT SENSOR OR SENSOR BRACKET TO HORIZONTAL TUBE ON FIBERGLASS AS SHOWN.

NOTES:
 1. GATHER ALL EXCESS WIRE AFTER MAKING ALL CONNECTIONS. BUNDLE AND SECURE WITH WIRE TIE 8343-01-000 OR 93147-01-000.

FOR ELECTRICAL TORQUE SPECIFICATIONS SEE DWG NO. 128783-01-000

FOR ELECTRICAL CALLOUTS SEE DWG NO. 121339-01-000

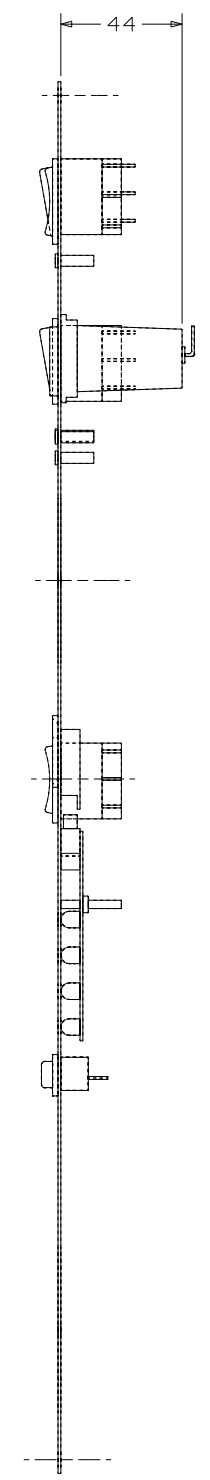
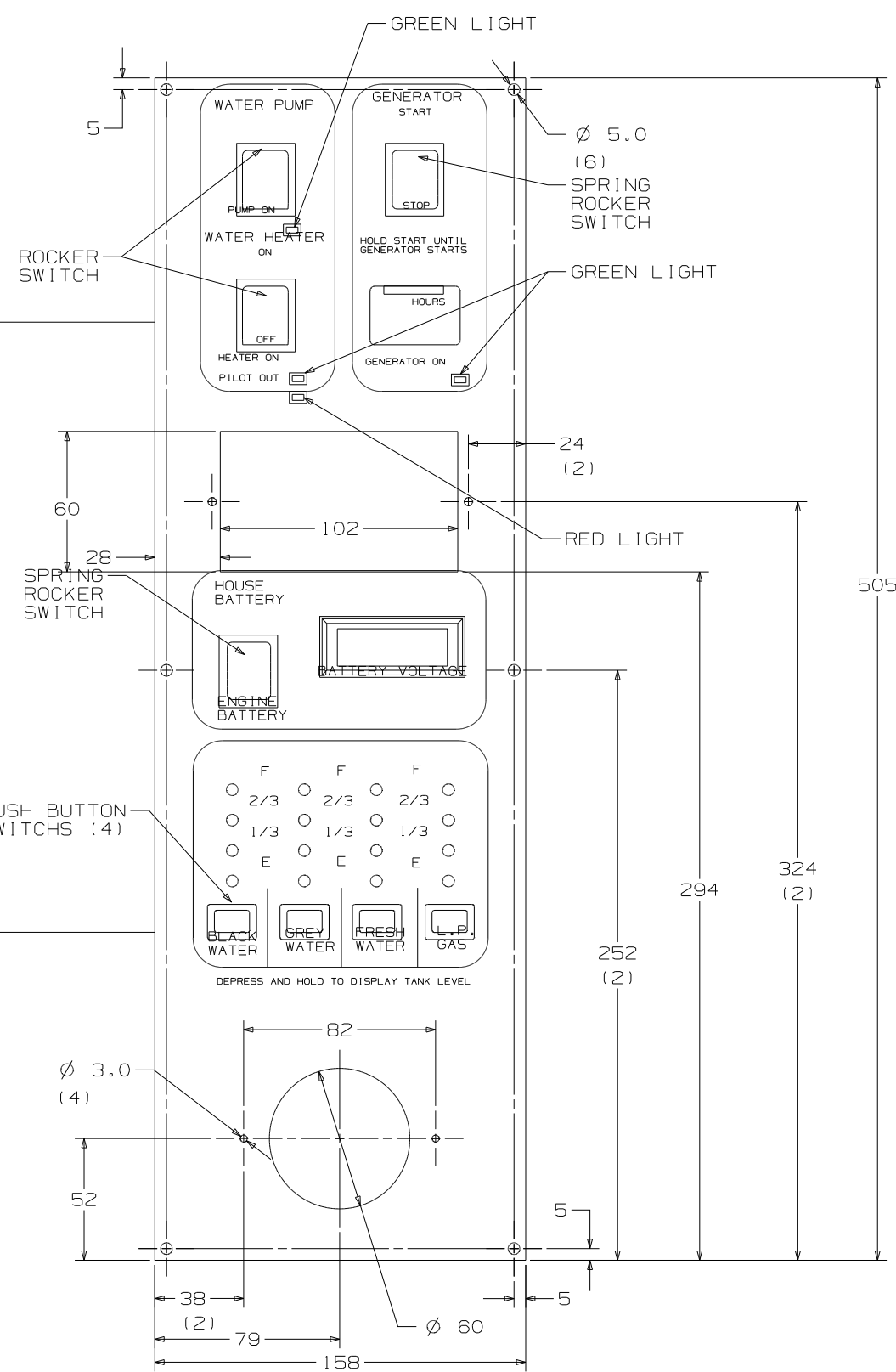
FIRST USED	
10 D, J, K-SER	
DO NOT SCALE DRAWING	
TITLE: WIRING INSTL-FRONT END	
SHEET 9	PART NO 169925 REV

DWG NO	SHEET	DESCRIPTION
133004-01	1	2TK,DIG VOLT
133004-02	2	2T,DIG VOLT,SOLAR
133004-03	3	2TK, W/SOL & PAN
133004-04	4	2TK, W/O WAT HEAT
133004-05	5,6,7	2T,SOLAR/SENSOR
133004-06	8,9,10	2T,SOL/SENS, W/O WTR HRT
133004-07	11,12	2T,SOL/SEN, W/O WTRHTR/EMS

RELEASE	REV DATE	DWG NO	133004
REV ZONE	REVISION RECORD	DATE	DFTR-0R16

- PIN #
- 16 RED GENERATOR METER (+)
 - 16 YEL GENERATOR START
 - 16 GRN GENERATOR STOP
 - 16 BLK GENERATOR (-)
- HOUSING-AMP
(UNIVERSAL MATE-N-LOK)
1-480702-0
CONTACT-PIN
350538-1

- PIN #
- 14 BLK (HOUSE +12VDC)
 - 14 (CHASSIS +12VDC)
 - 14 WHT (GROUND)
 - 20 RED (WATER TANK)
 - 20 BRN (BLACK TANK)
 - 20 GRY (GRAY TANK)
 - 12 RED/WHT (REMOTE WATER PUMP SWITCH)
 - 12 RED (WATER PUMP SWITCH)
 - 12 WHT/RED (REMOTE WATER PUMP)
 10. BLANK
 11. BLANK
 - 20 WHT/GRN (LP TANK SENSOR)
 - 16 YEL (WATER HEATER IGNITION)
 14. BLANK
 - 20 WHT/BLU (WATER HEATER INDICATOR)
- HOUSING-AMP
(UNIVERSAL MATE-N-LOK)
1-480710-0
CONTACT-PIN
350538-1



- NOTES:
1. SUGGESTED VENDOR: VENLINE.
 2. BLACK PANEL WITH WHITE GRAPHICS.
 3. LETTERS ON MAIN HEADING TO BE 5MM HIGH.
 4. CUTOUT FOR PANEL TO BE 135 X 350 MIN/ 140 X 380 MAX.
 5. SWITCH RATING SHALL BE EMBOSSED ON THE SIDE OF THE 12V SWITCHES.

SEE CHART
FOR COLOR VARIATIONS
OF THIS PART

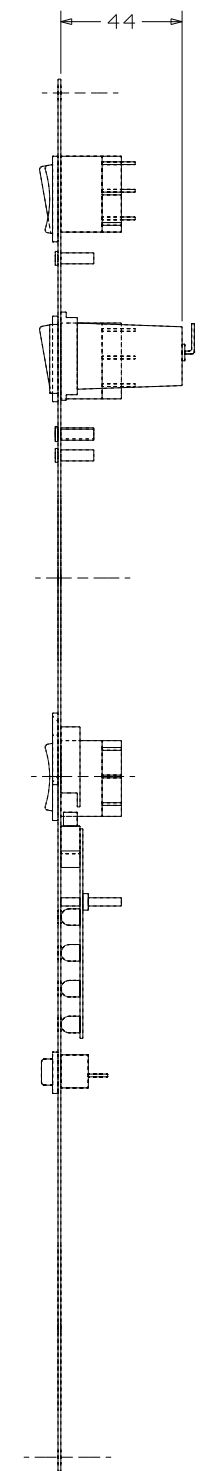
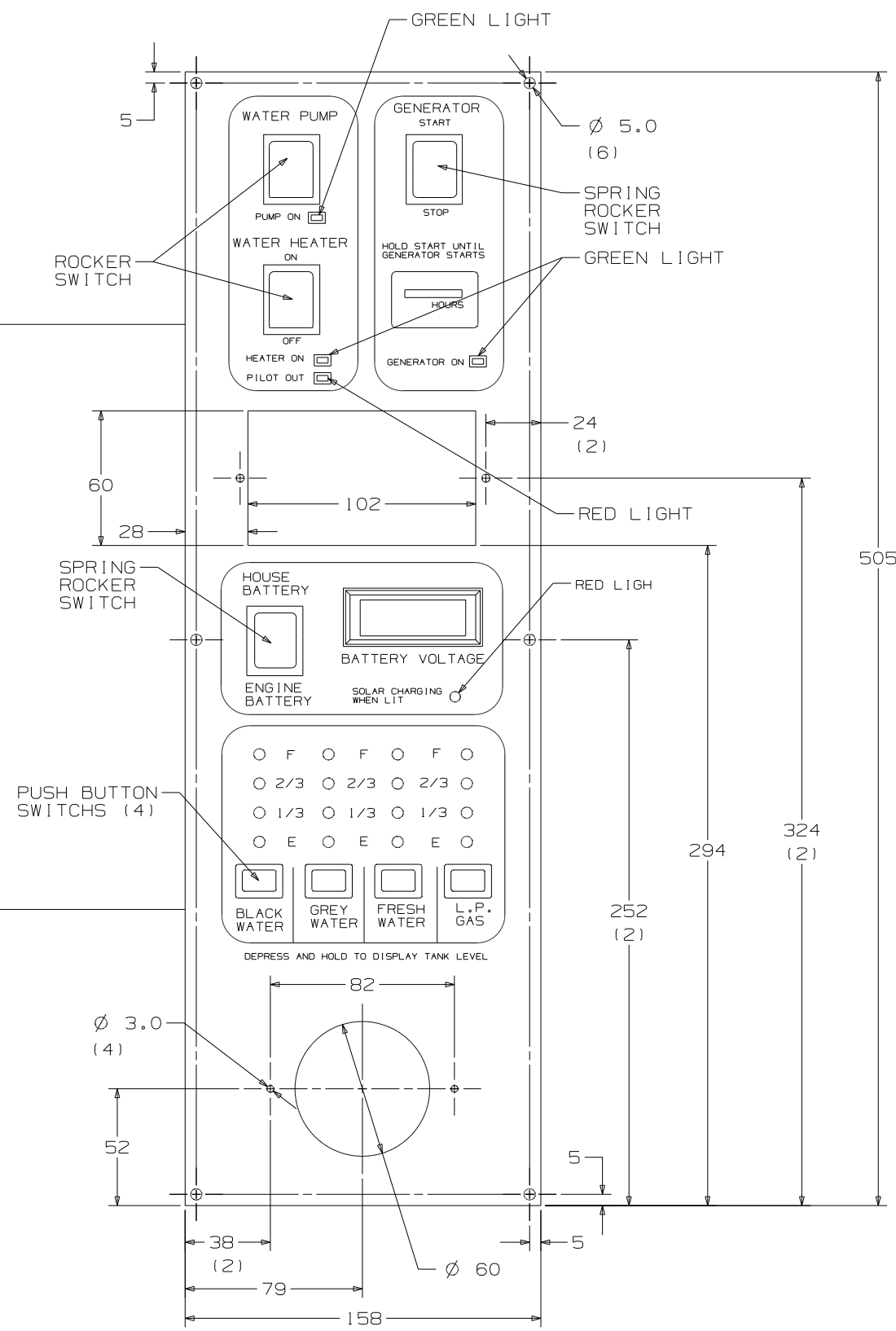
WINNEBAGO		COPYRIGHT 2009 WINNEBAGO INDUSTRIES, INC.	
DFTR	ORIG. DATE	ALL DIMENSIONS ARE IN MILLIMETERS	
CHKR		STANDARDS	
P.E.		FIRST USED	
M.E.			
DSNR			
UNSPECIFIED TOLERANCES ARE:		MATERIAL:	
WHOLE DIM (X)	:	:	
ONE-PLACE (X.X)	:	:	
TWO-PLACE (X.XX)	:	:	
ANGLE	:	:	
THIRD ANGLE PROJECTION			
DO NOT SCALE DRAWING			
TITLE: PANEL-MONITOR			
SHEET 1 OF 12	PART NO	133004	REV
REF:	1 5/12/2009		

- PIN #
- 1. 16 RED GENERATOR METER (+)
 - 2. 16 YEL GENERATOR START
 - 3. 16 GRN GENERATOR STOP
 - 4. 16 BLK GENERATOR (-)

HOUSING-AMP
(UNIVERSAL MATE-N-LOK)
1-480702-0
CONTACT-PIN
350538-1

- PIN #
- 1. 14 BLK (HOUSE +12VDC)
 - 2. 14 (CHASSIS +12VDC)
 - 3. 14 WHT (GROUND)
 - 4. 20 RED (WATER TANK)
 - 5. 20 BRN (BLACK TANK)
 - 6. 20 GRY (GRAY TANK)
 - 7. 12 RED/WHT (REMOTE WATER PUMP SWITCH)
 - 8. 12 RED (WATER PUMP SWITCH)
 - 9. 12 WHT/RED (REMOTE WATER PUMP)
 - 10. BLANK
 - 11. BLANK
 - 12. 20 WHT/GRN (LP TANK SENSOR)
 - 13. 16 YEL (WATER HEATER IGNITION)
 - 14. BLANK
 - 15. 20 WHT/BLU (WATER HEATER INDICATOR)

HOUSING-AMP
(UNIVERSAL MATE-N-LOK)
1-480710-0
CONTACT-PIN
350538-1



FIRST USED	STANDARDS	
TITLE	DO NOT SCALE DRAWING	
SHEET 2	PART NO	REV
	133004	

PIN #
 1. 16 RED GENERATOR METER (+)
 2. 16 YEL GENERATOR START
 3. 16 BRN GENERATOR STOP
 4. 16 BLK GENERATOR (-)

HOUSING-AMP
 (UNIVERSAL MATE-N-LOK)
 1-480702-0
 CONTACT-PIN
 350538-1

PIN #
 1. 14 BLK (HOUSE +12VDC)
 2. 14 (CHASSIS +12VDC)
 3. 14 WHT (GROUND)
 4. 20 RED (WATER TANK)
 5. 20 BRN (BLACK TANK)
 6. 20 GRN (GRAY TANK)
 7. 12 RED/WHT (REMOTE WATER PUMP SWITCH)
 8. 12 RED (WATER PUMP SWITCH)
 9. 12 WHT/RED (REMOTE WATER PUMP)
 10. BLANK
 11. BLANK
 12. 20 WHT/GRN (LP TANK SENSOR)
 13. 16 YEL (WATER HEATER IGNITION)
 14. BLANK
 15. 20 WHT/BLU (WATER HEATER INDICATOR)

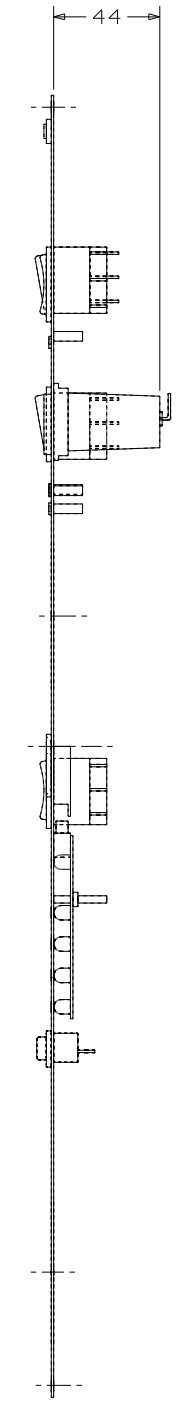
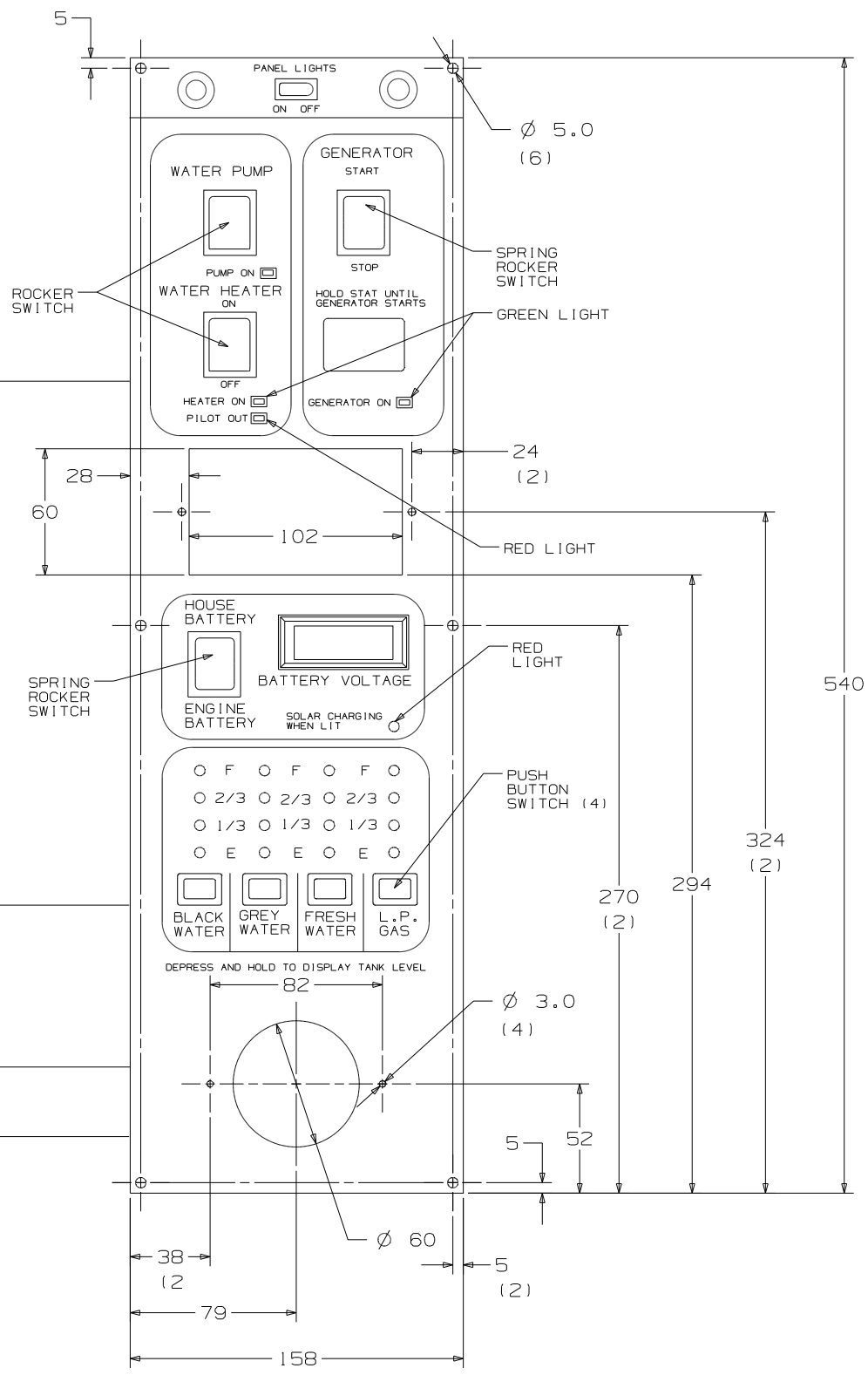
HOUSING-AMP
 (UNIVERSAL MATE-N-LOK)
 1-480710-0
 CONTACT-PIN
 350538-1

HOUSING-AMP
 (UNIVERSAL MATE-N-LOK)
 1-480698-0
 PIN
 350538-0

PIN #
 1. 16 BLK
 2. 16 RED

HOUSING-AMP
 (UNIVERSAL MATE-N-LOK)
 1-480699-0
 PIN
 350537-0

PIN #
 1. 16 GRN
 2. 16 RED



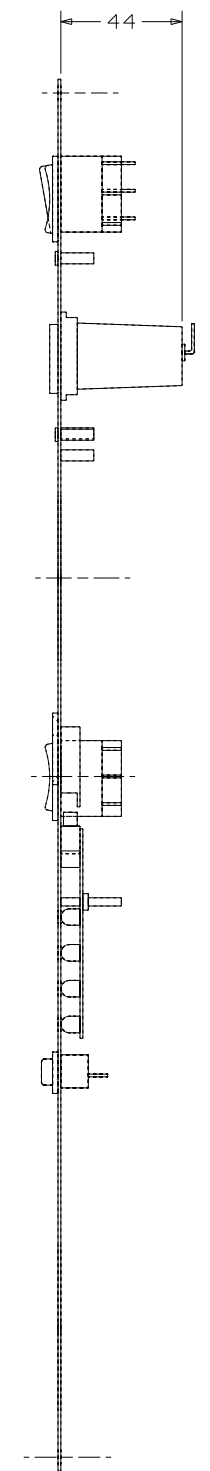
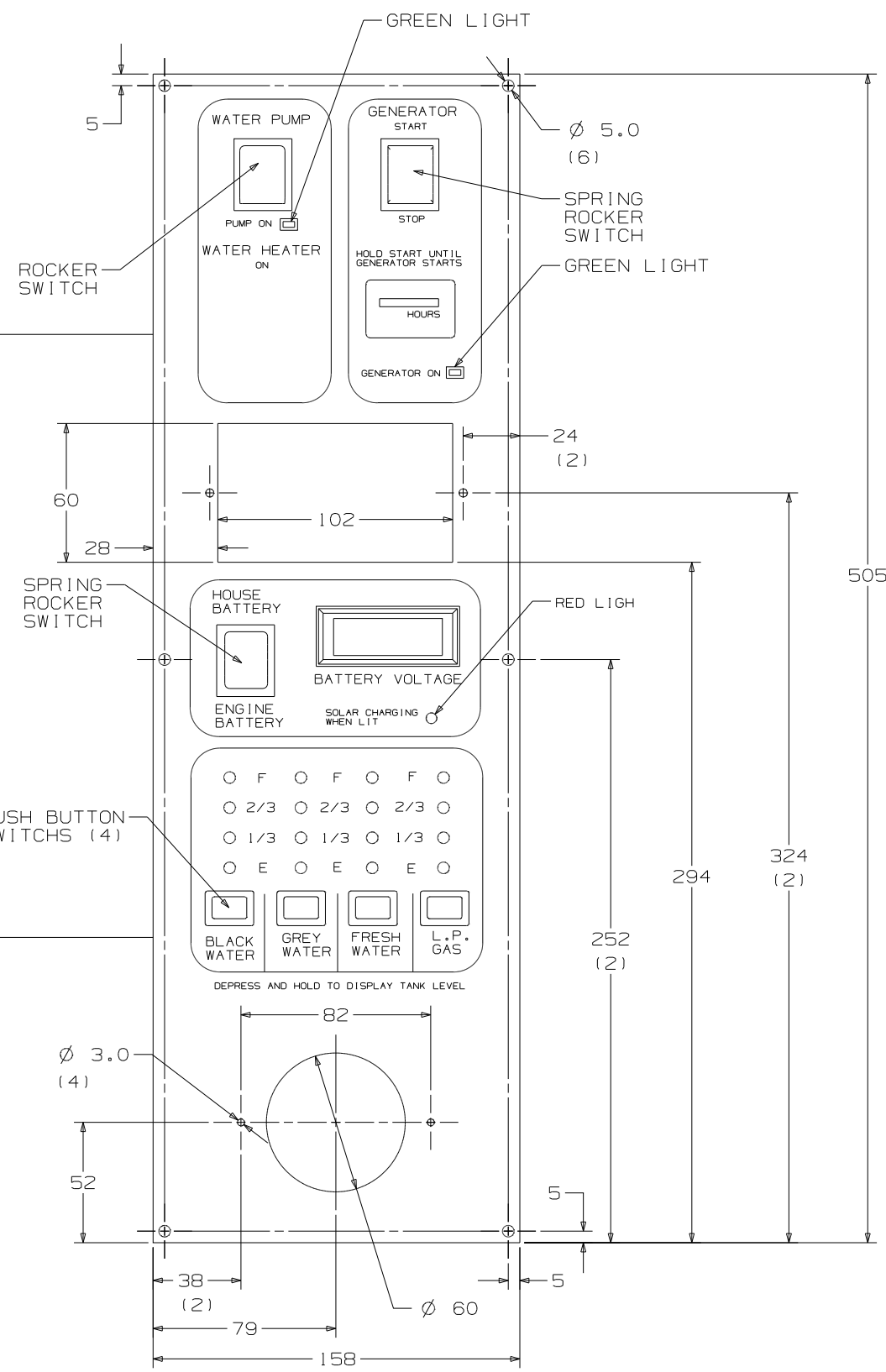
FIRST USED	STANDARD		
TITLE:	DO NOT SCALE DRAWING		
	PANEL - MONITOR		
SHEET 3	PART NO	133004	REV

PIN #
 1. 16 RED GENERATOR METER (+)
 2. 16 YEL GENERATOR START
 3. 16 GRN GENERATOR STOP
 4. 16 BLK GENERATOR (-)

HOUSING-AMP
 (UNIVERSAL MATE-N-LOK)
 1-480702-0
 CONTACT-PIN
 350538-1

PIN #
 1. 14 BLK (HOUSE +12VDC)
 2. 14 (CHASSIS +12VDC)
 3. 14 WHT (GROUND)
 4. 20 RED (WATER TANK)
 5. 20 BRN (BLACK TANK)
 6. 20 GRN (GRAY TANK)
 7. 12 RED/WHT (REMOTE WATER PUMP SWITCH)
 8. 12 RED (WATER PUMP SWITCH)
 9. 12 WHT/RED (REMOTE WATER PUMP)
 10. BLANK
 11. BLANK
 12. 20 WHT/GRN (LP TANK SENSOR)
 13. BLANK
 14. BLANK
 15. BLANK

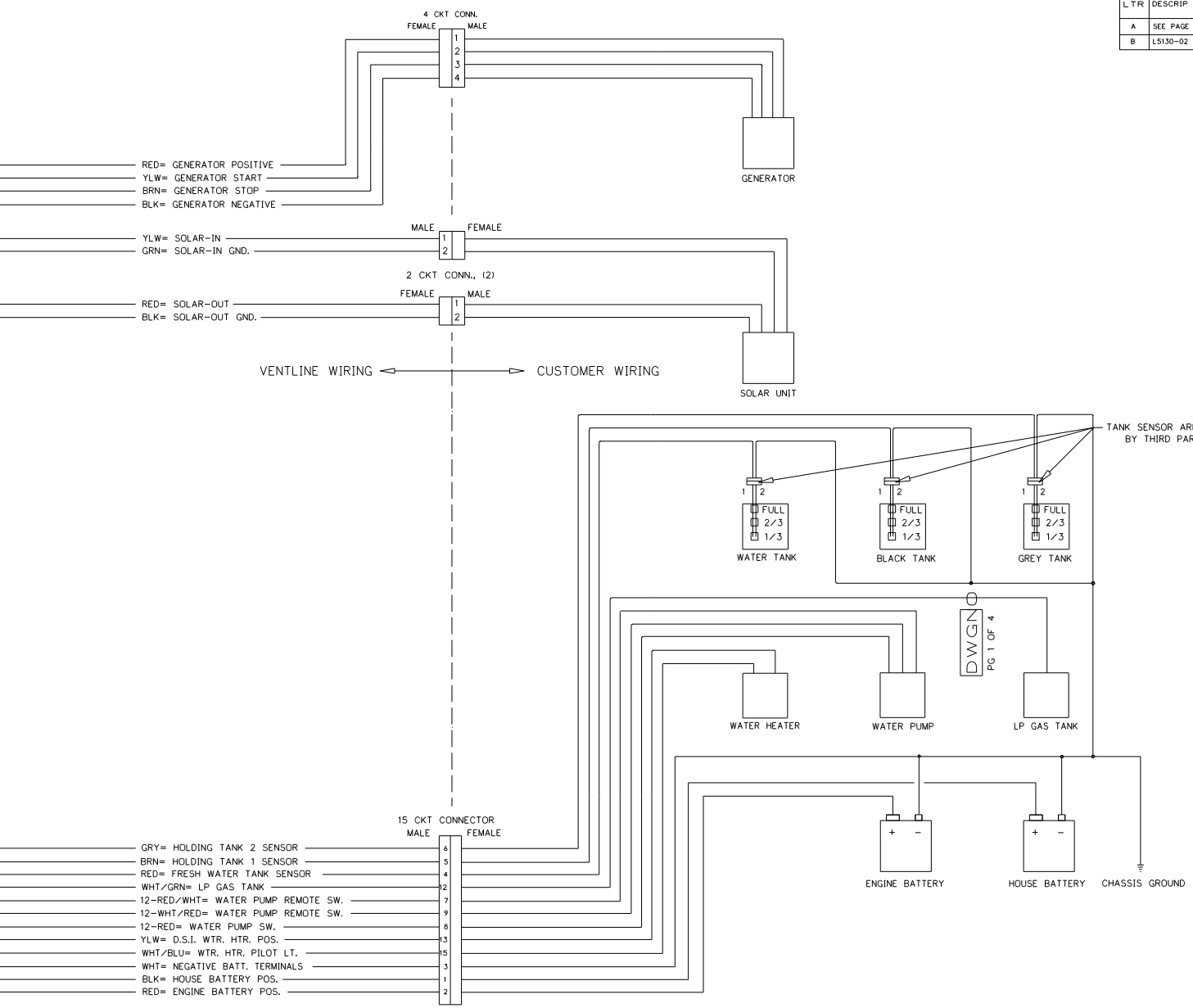
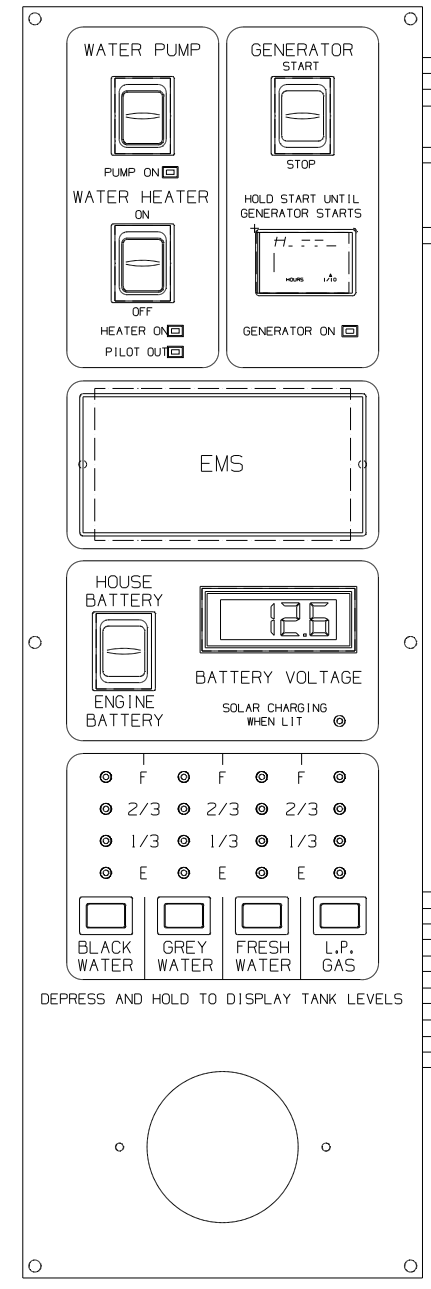
HOUSING-AMP
 (UNIVERSAL MATE-N-LOK)
 1-480710-0
 CONTACT-PIN
 350538-1



FIRST USED	STANDARDS	
TITLE	DO NOT SCALE DRAWING	
SHEET 4	PART NO	REV
	133004	

CONFIDENTIAL
 THIS DOCUMENT, INCLUDING ALL INFORMATION CONTAINED HEREIN IS THE EXCLUSIVE AND CONFIDENTIAL PROPERTY OF VENTLINE DIVISION OF TOMKINS INDUSTRIES INC. THE DOCUMENT AND INFORMATION ARE NOT TO BE COPIED, REPRODUCED OR DELIVERED TO OTHERS, IN WHOLE OR IN PART, WITHOUT THE EXPRESS WRITTEN PERMISSION OF VENTLINE. THE DOCUMENT IS TO BE RETURNED PROMPTLY TO VENTLINE AFTER HAVING SERVED THE PURPOSE FOR WHICH DELIVERED.
 ©1995 VENTLINE DIVISION, TOMKINS INDUSTRIES, INC.
 All Rights Reserved, including the right to reproduce this document or any part thereof

LTR.	DESCRIPTION	DATE	CHK. BY	APP. BY
A	SEE PAGE 3 ECN 16381	ECN 16261	4-6-04	R.L. R.L.
B	L5130-02 WAS L5113-04	ECN 16394	4-21-04	R.L. R.L.



- NOTES:
 1. UNLESS OTHERWISE SPECIFIED ALL WIRE IS 22 AWG.
 2. REF. DWG.'S:
 HARNESS, INTERNAL & SWITCH= L7785-01, -02
 HARNESS, GEN. INTERNAL & SWITCH= L7786-00
 HARNESS, SOLAR LIGHT= L7722-00
 PCB= L5130-02
 HARNESS, TEST= L8012-00
 TEST BOX= L8504-00
 3. ALL PIGTAILS TO BE SUPPLIED BY CUSTOMER.
 4. BEFORE PACKING, SECURE HARNESS WITH V00169-00 TIE WRAP ON RIGHT SIDE POST.

ENGLISH TOLERANCE UNLESS SPECIFIED
 0 PL.: .040
 2 PL.: .010
 1 PL.: .020
 3 PL.: .005
 FRACTIONS 1/64

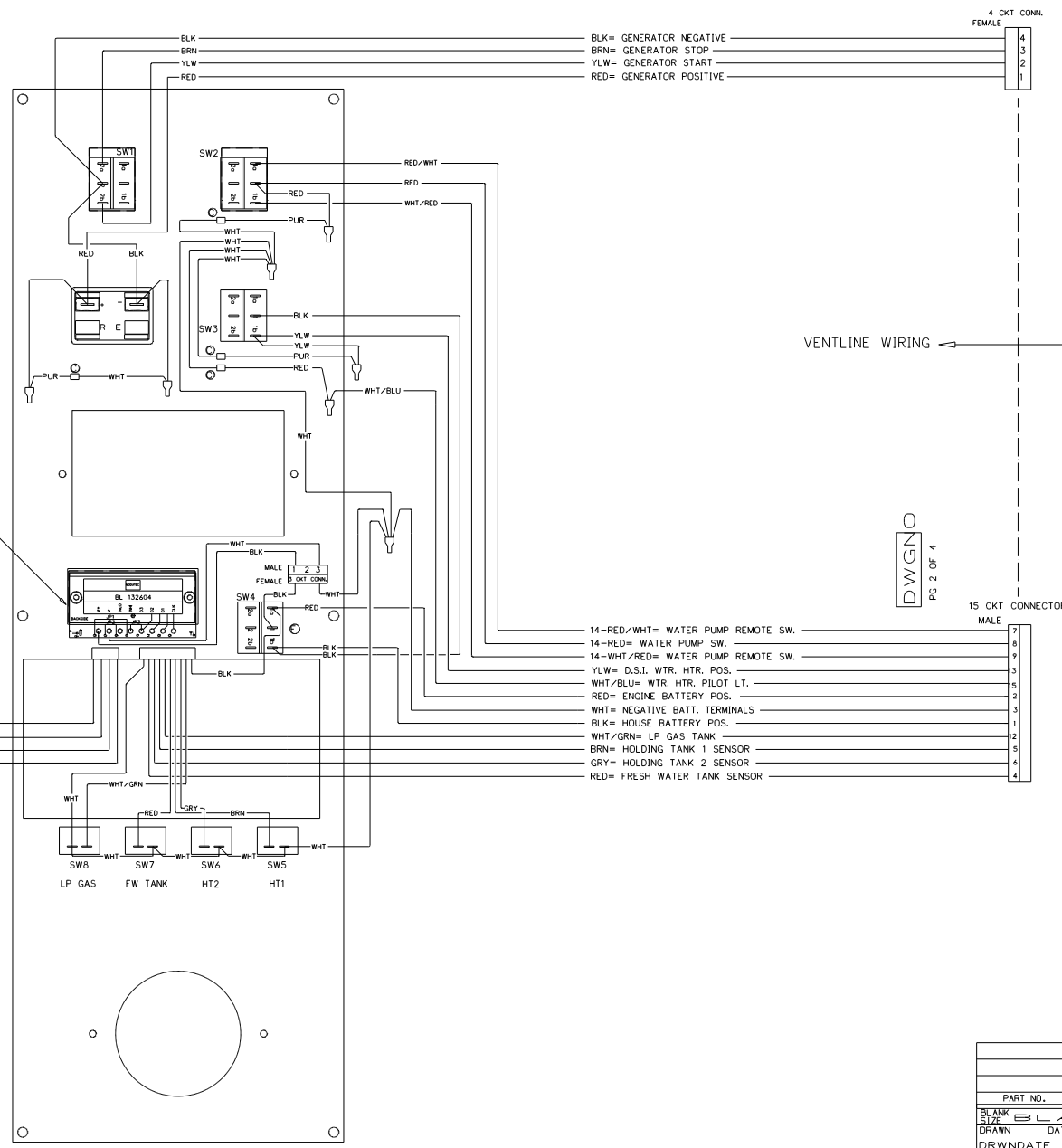
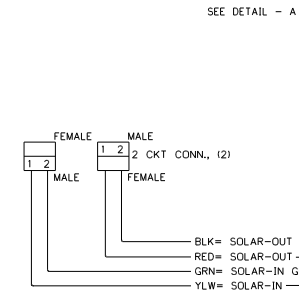
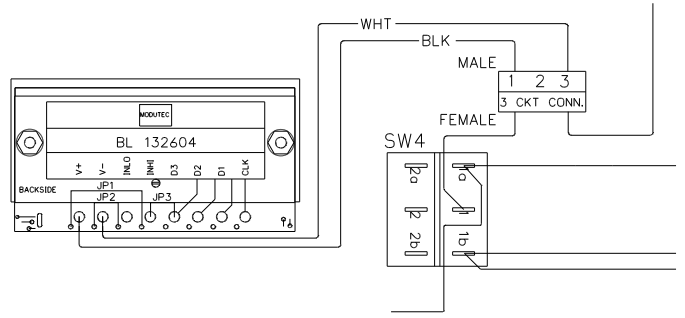
PART NO.	REQ'D	MATERIAL	DESCRIPTION	DWG SIZE
BLANK		BLANK	WGT	USED
DRWN	DATE	MATERIAL	USED ON	
DRWN DATE		MATL	MATL	
CHECKED	DATE	NAME	SCALE	
CHECKED	DATE	DWGNAME	DWGNAME	
APPV'D	DATE	DWGNAME	DWGNO	

FIRST USED	STANDARD
TITLE	DO NOT SCALE DRAWING
TITLE	PANEL - MONITOR
SHEET 5	PART NO 133004 REV

CONFIDENTIAL
 THIS DOCUMENT, INCLUDING ALL INFORMATION CONTAINED HEREIN, IS THE EXCLUSIVE AND CONFIDENTIAL PROPERTY OF VENTLINE DIVISION OF TOMKINS INDUSTRIES, INC. THE DOCUMENT AND INFORMATION HEREIN IS NOT TO BE COPIED, REPRODUCED OR DELIVERED TO OTHERS, IN WHOLE OR IN PART, WITHOUT THE EXPRESS WRITTEN PERMISSION OF VENTLINE. THE DOCUMENT IS TO BE RETURNED PROMPTLY TO VENTLINE AFTER HAVING SERVED THE PURPOSE FOR WHICH DELIVERED.
 ©1995 VENTLINE DIVISION, TOMKINS INDUSTRIES, INC.
 All Rights Reserved, including the right to reproduce this document in any part thereof.

LTR.	DESCRIPTION	DATE	CHK'D	APP'D
A	SEE PAGE 3 ECN 16381	4-6-04	RUL	RUL
B	LS130-02 WAS LS113-04 ECN 16394	4-21-04	RUL	RUL

DETAIL - A

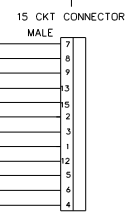


BLK= GENERATOR NEGATIVE
 BRN= GENERATOR STOP
 YLW= GENERATOR START
 RED= GENERATOR POSITIVE

14-RED/WHT= WATER PUMP REMOTE SW.
 14-RED= WATER PUMP SW.
 14-WHT/RED= WATER PUMP REMOTE SW.
 YLW= D.S.I. WTR. HTR. POS.
 WHT/BLU= WTR. HTR. PILOT LT.
 RED= ENGINE BATTERY POS.
 WHT= NEGATIVE BATT. TERMINALS
 BLK= HOUSE BATTERY POS.
 WHT/GRN= LP GAS TANK
 BRN= HOLDING TANK 1 SENSOR
 GRN= HOLDING TANK 2 SENSOR
 RED= FRESH WATER TANK SENSOR

- NOTES:
- UNLESS OTHERWISE SPECIFIED ALL WIRE IS 22 AWG.
 - REF. DWG.'S:
 HARNESS, INTERNAL & SWITCH= L7785-01, -02
 HARNESS, GEN. INTERNAL & SWITCH= L7786-00
 HARNESS, SOLAR LIGHT= L7722-00
 PCB= LS130-02
 HARNESS, TEST= L8012-00
 TEST BOX= L8506-00
 - ALL PIGTAILS TO BE SUPPLIED BY CUSTOMER.
 - BEFORE PACKING, SECURE HARNESS WITH VDO167-00 TIE WRAP ON RIGHT SIDE POST.

DWG NO
 PG 2 OF 4



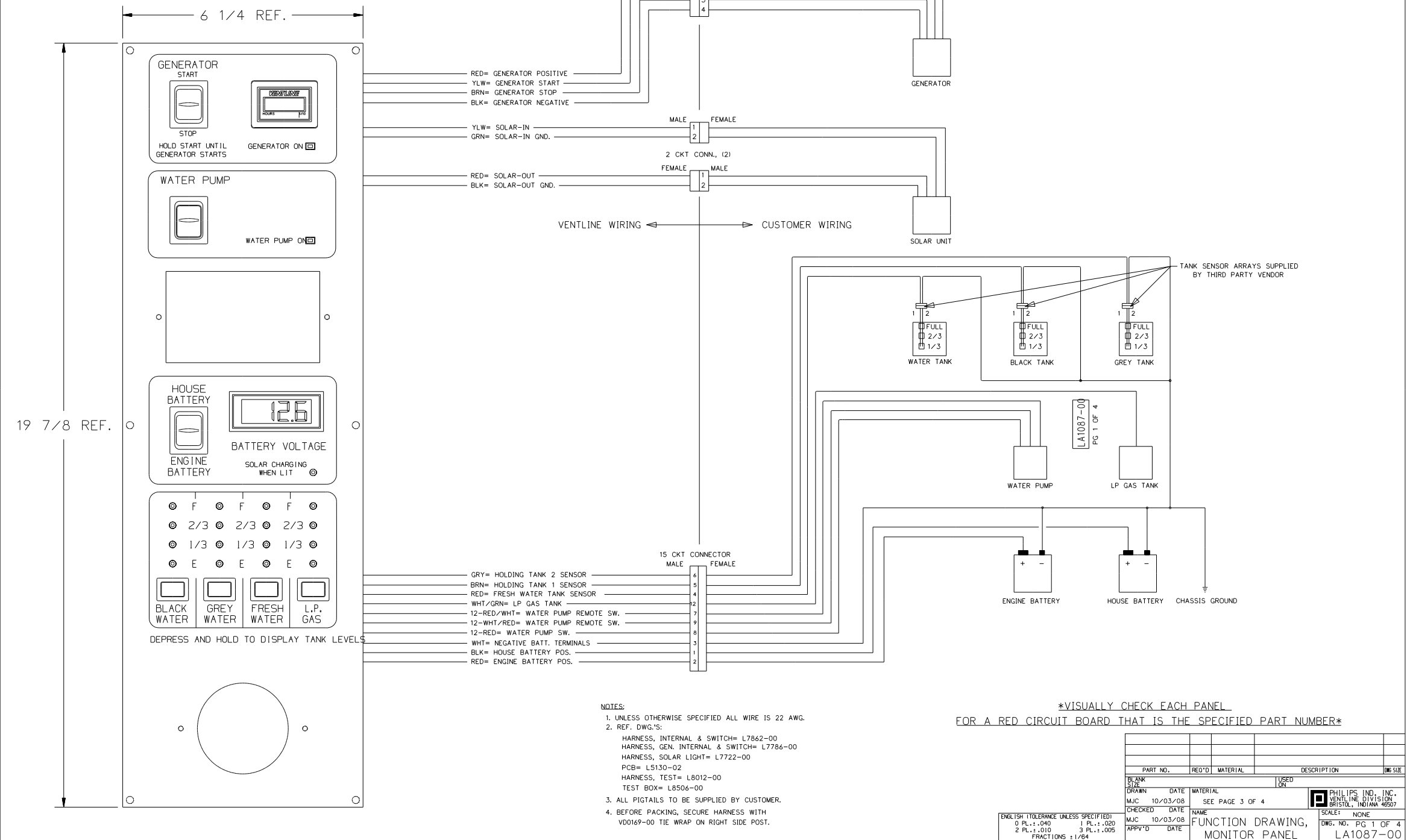
ENGLISH (TOLERANCE UNLESS SPECIFIED)
 0 PL.: .040 1 PL.: .020
 2 PL.: .010 3 PL.: .005
 FRACTIONS: 1/64

PART NO.	REV'D	MATERIAL	DESCRIPTION	DWG SIZE
BLANK SIZE		BLANK	USED ON	USED ON
DRAWN	DATE	MATERIAL	DATE	DATE
DRWN DATE		MATL	MATL	
CHECKED	DATE			
CHECKED DATE				
APP'D	DATE			

FIRST USED	STANDARD
TITLE	DO NOT SCALE DRAWING
SHEET 7	PART NO 133004
	REV

CONFIDENTIAL
 THIS DOCUMENT, INCLUDING ALL INFORMATION CONTAINED HEREIN, IS THE EXCLUSIVE AND CONFIDENTIAL PROPERTY OF VENTLINE DIVISION OF TOMKINS INDUSTRIES, INC. THE DOCUMENT AND INFORMATION ARE NOT TO BE COPIED, REPRODUCED OR DELIVERED TO OTHERS, IN WHOLE OR IN PART, WITHOUT THE EXPRESS WRITTEN PERMISSION OF VENTLINE. THE DOCUMENT IS TO BE RETURNED PROMPTLY TO VENTLINE AFTER HAVING SERVED THE PURPOSE FOR WHICH OBTAINED.
 ©1995 VENTLINE DIVISION, TOMKINS INDUSTRIES, INC.
 All Rights Reserved, including the right to reproduce this document or any part thereof.

LTR.	DESCRIPTION	DATE	CHK. BY	CHK. BY
REL	RELEASED FOR PRODUCTION. ECN 17419	10/03/08	MJC	MJC



- NOTES:
- UNLESS OTHERWISE SPECIFIED ALL WIRE IS 22 AWG.
 - REF. DWG.'S:
 HARNESS, INTERNAL & SWITCH= L7862-00
 HARNESS, GEN. INTERNAL & SWITCH= L7786-00
 HARNESS, SOLAR LIGHT= L7722-00
 PCB= L5130-02
 HARNESS, TEST= L8012-00
 TEST BOX= L8506-00
 - ALL PIGTAILS TO BE SUPPLIED BY CUSTOMER.
 - BEFORE PACKING, SECURE HARNESS WITH VD0169-00 TIE WRAP ON RIGHT SIDE POST.

VISUALLY CHECK EACH PANEL FOR A RED CIRCUIT BOARD THAT IS THE SPECIFIED PART NUMBER

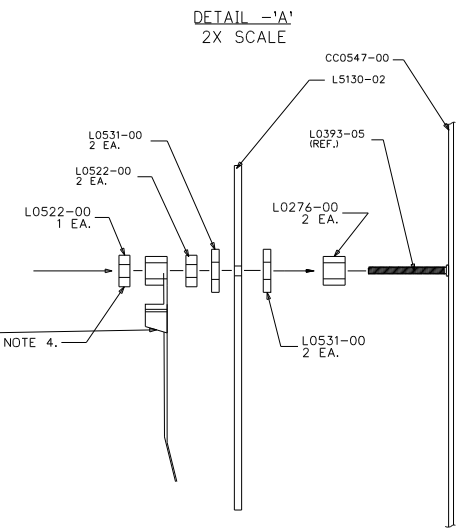
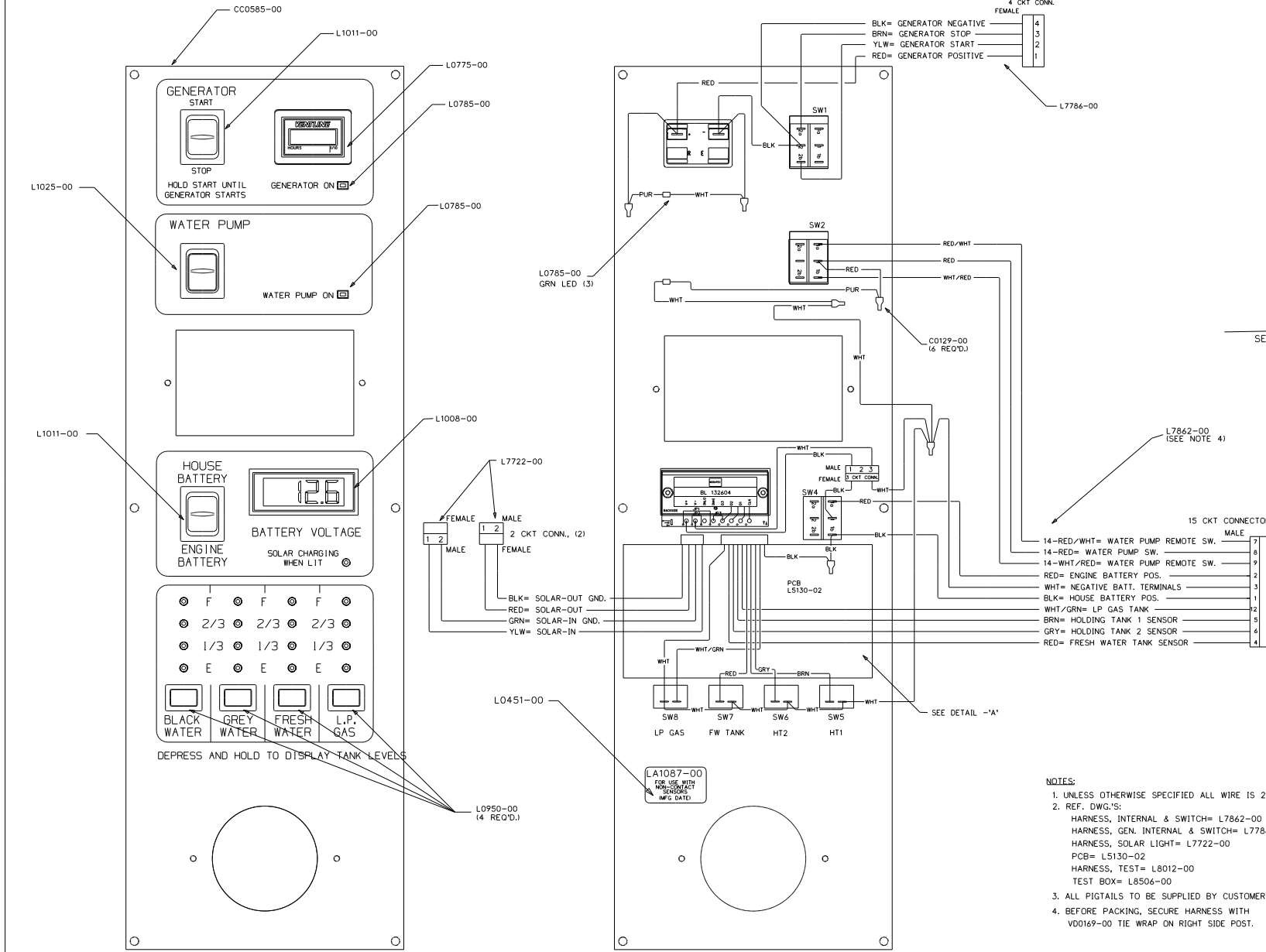
ENGLISH (TOLERANCE UNLESS SPECIFIED)	
0 PL.: .040	1 PL.: .020
2 PL.: .010	3 PL.: .005
FRACTIONS ± 1/64	

PART NO.	REV'D	MATERIAL	DESCRIPTION	DWG. SIZE
LA1087-00			FUNCTION DRAWING, MONITOR PANEL	PG 1 OF 4

FIRST USED	10 R40CD
TITLE:	DO NOT SCALE DRAWING
TITLE:	PANEL - MONITOR
SHEET 8	PART NO 133004 REV

CONFIDENTIAL
THIS DOCUMENT, INCLUDING ALL INFORMATION CONTAINED HEREIN IS THE EXCLUSIVE AND CONFIDENTIAL PROPERTY OF VENTLINE DIVISION OF TOMKINS INDUSTRIES, INC. THE DOCUMENT AND INFORMATION ARE NOT TO BE COPIED, REPRODUCED, OR DISCLOSED TO OTHERS, IN WHOLE OR IN PART, WITHOUT THE EXPRESS WRITTEN PERMISSION OF VENTLINE. THE DOCUMENT IS TO BE RETURNED PROMPTLY TO VENTLINE AFTER HAVING SERVED THE PURPOSE FOR WHICH DELIVERED.
©1995 VENTLINE DIVISION, TOMKINS INDUSTRIES, INC.
All Rights Reserved, including the right to reproduce this document or any part thereof.

LTN.	DESCRIPTION	DATE	CHK'D	APP'D
REL	RELEASED FOR PRODUCTION	ECN 17419	10/03/08	MJC MJC



LA1087-00
FOR USE WITH
NON-CONTACT
SENSORS
(MFG DATE)

PRODUCT LABEL
PRINTING DETAIL
NO SCALE

V00169-00	1	TIE WRAP		
V00478-00	.2	FOAM PAD		
L7786-00	1	HARNES, GENERATOR INT. & SW.		
L7862-00	1	HARNES, INTERNAL & SWITCH		
L7722-00	1	HARNES, SOLAR LT.		
L5130-02	1	PCB		
L1025-00	1	SWICH, DPDT, ON-ON		
L1011-00	2	SWICH, DPDT, (ON)-OFF-(ON)		
L1008-00	1	DIGITAL PANEL METER		
L0950-00	4	SW., SPND, (ON)-OFF PB		
L0785-00	2	LED, PANEL MOUNT, GRN		
L0775-00	1	HOBBS HOUR METER		
L0531-00	4	FIBER WASHER		
L0522-00	3	HEX NUT, 6-32		
L0451-00	1	LABEL		
L0276-00	2	PCB SPACER, .25"		
C0129-00	6	CONN., PARALLEL CRIMP		
C00499-00	.1	CARTON		
C00393-00	.1	CARTON LABEL		
CC0585-00	1	SCREENED CHASSIS		
CE0376-02	1	ANTI-STATIC POLY BAG		
PART NO.	REQ'D	MATERIAL	DESCRIPTION	QTY

- NOTES:
- UNLESS OTHERWISE SPECIFIED ALL WIRE IS 22 AWG.
 - REF. DWG.'S:
HARNES, INTERNAL & SWITCH= L7862-00
HARNES, GEN. INTERNAL & SWITCH= L7786-00
HARNES, SOLAR LIGHT= L7722-00
PCB= L5130-02
HARNES, TEST= L8012-00
TEST BOX= L8506-00
 - ALL PIGTAILS TO BE SUPPLIED BY CUSTOMER.
 - BEFORE PACKING, SECURE HARNES WITH V00169-00 TIE WRAP ON RIGHT SIDE POST.

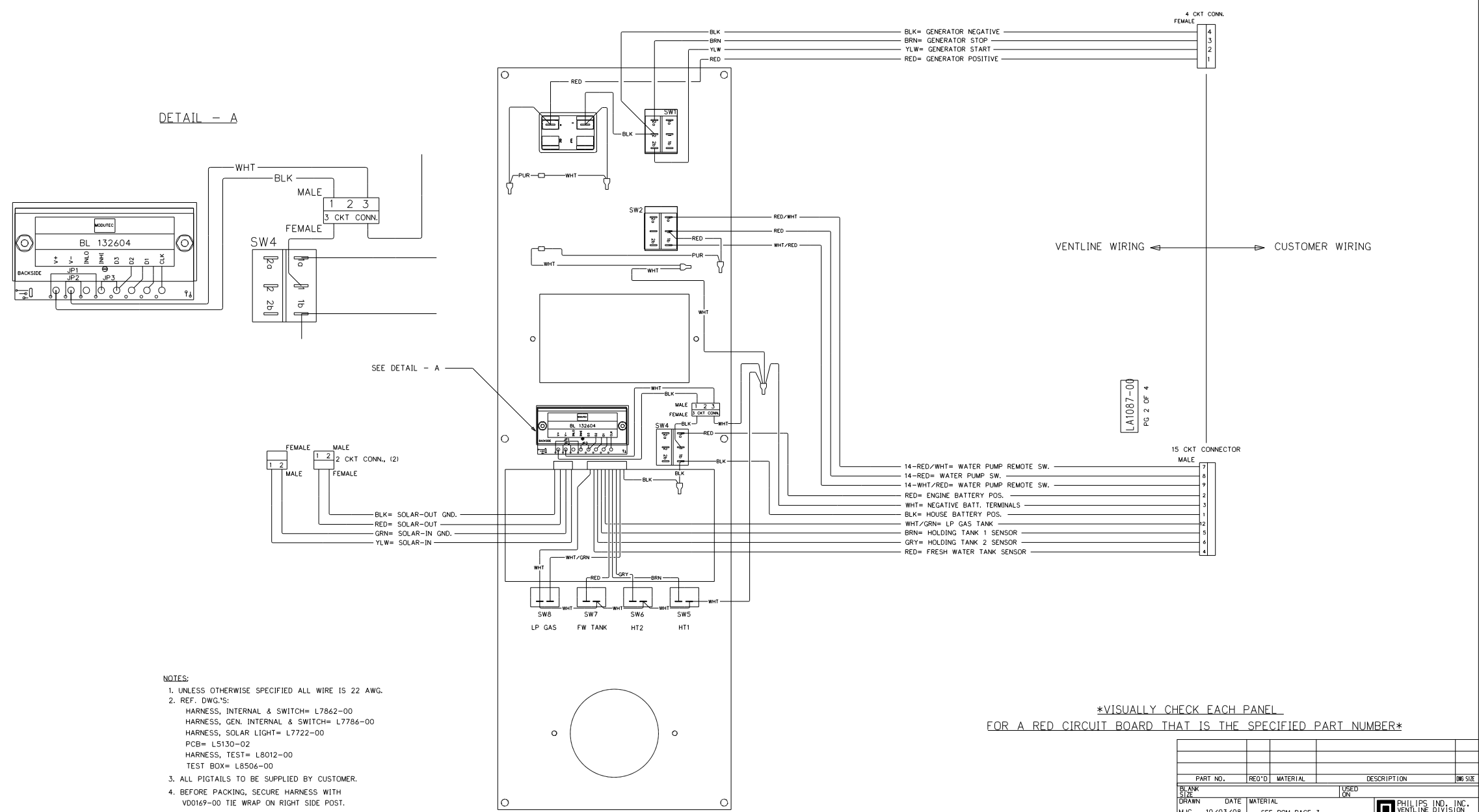
VISUALLY CHECK EACH PANEL FOR A RED CIRCUIT BOARD THAT IS THE SPECIFIED PART NUMBER

ENGLISH TOLERANCE (UNLESS SPECIFIED)	1 PL.: .040	2 PL.: .010	3 PL.: .005	FRACTIONS: 1/64
DATE	10/03/08	10/03/08	10/03/08	10/03/08
NAME	MJC	MJC	MJC	MJC
SCALE:	NONE	NONE	NONE	NONE
ASSEMBLY DRAWING, MONITOR PANEL	DWG. NO. PG 3 OF 4 LA1087-00			

FIRST USED	10 R40CD
TITLE:	DO NOT SCALE DRAWING
SHEET 9	PART NO 133004
	REV

CONFIDENTIAL
 THIS DOCUMENT, INCLUDING ALL INFORMATION CONTAINED HEREIN IS THE EXCLUSIVE AND CONFIDENTIAL PROPERTY OF VENTLINE DIVISION OF TOMKINS INDUSTRIES INC. THE DOCUMENT AND INFORMATION ARE NOT TO BE COPIED, REPRODUCED OR DELIVERED TO OTHERS, IN WHOLE OR IN PART, WITHOUT THE EXPRESS WRITTEN PERMISSION OF VENTLINE. THE DOCUMENT IS TO BE RETURNED PROMPTLY TO VENTLINE AFTER HAVING SERVED THE PURPOSE FOR WHICH DELIVERED.
 ©2008 VENTLINE DIVISION, TOMKINS INDUSTRIES, INC.
 All Rights Reserved, including the right to reproduce this document or any part thereof.

LTR.	DESCRIPTION	DATE	CHK BY	CHK BY
REL	RELEASED FOR PRODUCTION. ECN 17419	10/03/08	MJC	MJC



DETAIL - A

- NOTES:
- UNLESS OTHERWISE SPECIFIED ALL WIRE IS 22 AWG.
 - REF. DWG.'S:
 HARNESS, INTERNAL & SWITCH= L7842-00
 HARNESS, GEN. INTERNAL & SWITCH= L7786-00
 HARNESS, SOLAR LIGHT= L7722-00
 PCB= L5130-02
 HARNESS, TEST= L8012-00
 TEST BOX= L8506-00
 - ALL PIGTAILS TO BE SUPPLIED BY CUSTOMER.
 - BEFORE PACKING, SECURE HARNESS WITH VD0169-00 TIE WRAP ON RIGHT SIDE POST.

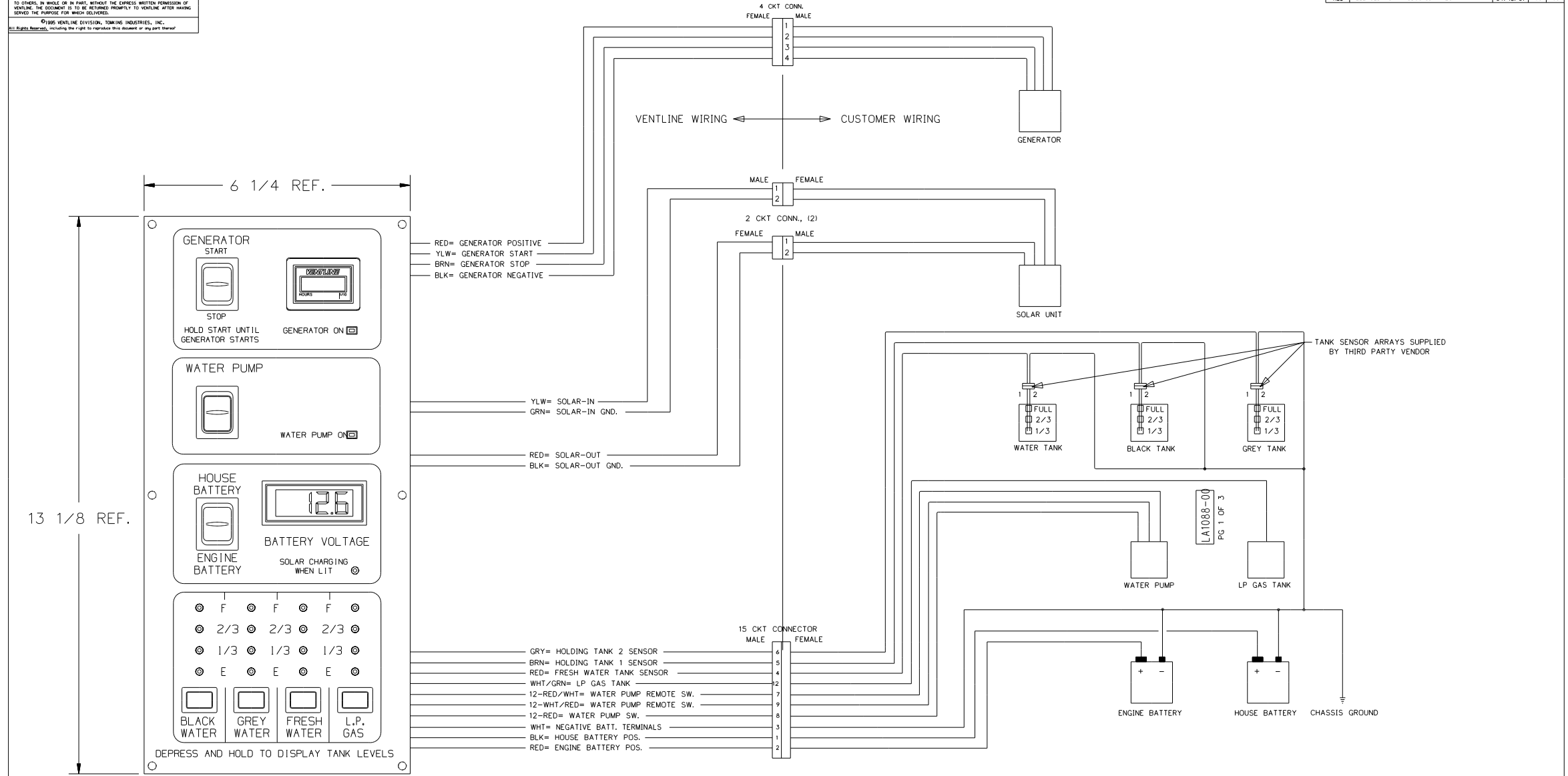
VISUALLY CHECK EACH PANEL FOR A RED CIRCUIT BOARD THAT IS THE SPECIFIED PART NUMBER

BLANK SIZE	PART NO.	REV'D	MATERIAL	DESCRIPTION	DWG SIZE
DRAWN	DATE	MATERIAL	USED FOR		
MJC	10/03/08	SEE BOM PAGE 3			
CHECKED	DATE	NAME			
MJC	10/03/08				
APPV'D	DATE				
ENGLISH TOLERANCE UNLESS SPECIFIED: 0 PL.:.040 1 PL.:.020 2 PL.:.010 3 PL.:.005 FRACTIONS 1/64				PHILIPS IND. INC. VENTLINE DIVISION BRISTOL, INDIANA 46507	
WIRE DRAWING, MONITOR PANEL				SCALE: NONE DWG. NO. PG 2 OF 4 LA1087-00	

FIRST USED	10 R40CD
TITLE:	DO NOT SCALE DRAWING
	PANEL - MONITOR
SHEET 10	PART NO 133004 REV

CONFIDENTIAL
 THIS DOCUMENT, INCLUDING ALL INFORMATION CONTAINED HEREIN, IS THE EXCLUSIVE AND CONFIDENTIAL PROPERTY OF VENTLINE DIVISION OF TOMKINS INDUSTRIES, INC. THE DOCUMENT AND INFORMATION ARE NOT TO BE COPIED, REPRODUCED OR DELIVERED TO OTHERS, IN WHOLE OR IN PART, WITHOUT THE EXPRESS WRITTEN PERMISSION OF VENTLINE. THE DOCUMENT IS TO BE RETURNED PROMPTLY TO VENTLINE AFTER HAVING SERVED THE PURPOSE FOR WHICH DELIVERED.
 ©2009 VENTLINE DIVISION, TOMKINS INDUSTRIES, INC.
 All Rights Reserved, including the right to reproduce this document at any time hereafter.

LTR.	DESCRIPTION	DATE	DES. BY	CHK. BY
REL	RELEASED FOR PRODUCTION	EON 17491	04/16/09	MJC



- NOTES:**
- UNLESS OTHERWISE SPECIFIED ALL WIRE IS 22 AWG.
 - REF. DWG.'S:
 HARNESS, INTERNAL & SWITCH= L7862-00
 HARNESS, GEN. INTERNAL & SWITCH= L7786-00
 HARNESS, SOLAR LIGHT= L7722-00
 PCB= L5130-02
 HARNESS, TEST= L8012-00
 TEST BOX= L8506-00
 - ALL PIGTAILS TO BE SUPPLIED BY CUSTOMER.
 - BEFORE PACKING, SECURE HARNESS WITH V00169-00 TIE WRAP ON RIGHT SIDE POST.
 - LA1088-00 IS IDENTICAL IN FUNCTION TO LA1087-00.

VISUALLY CHECK EACH PANEL FOR A RED CIRCUIT BOARD THAT IS THE SPECIFIED PART NUMBER

ENGLISH (TOLERANCE UNLESS SPECIFIED)
 0 PL.: .040 1 PL.: .020
 2 PL.: .010 3 PL.: .005
 FRACTIONS: 1/64

PART NO.	REV'D	MATERIAL	DESCRIPTION	DWG SIZE
LA1088-00			FUNCTION DRAWING, MONITOR PANEL	

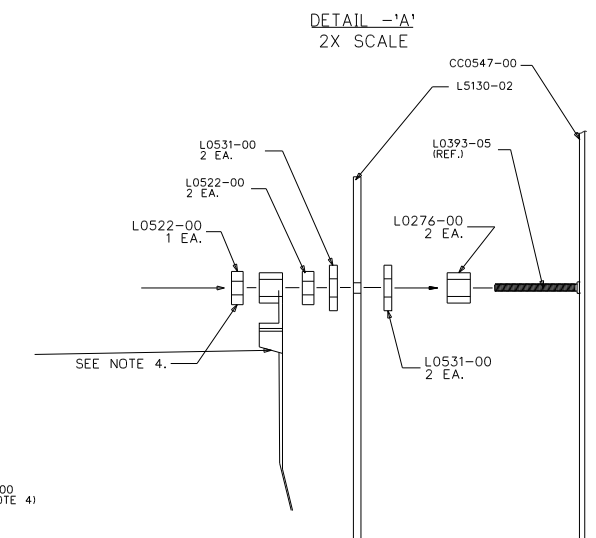
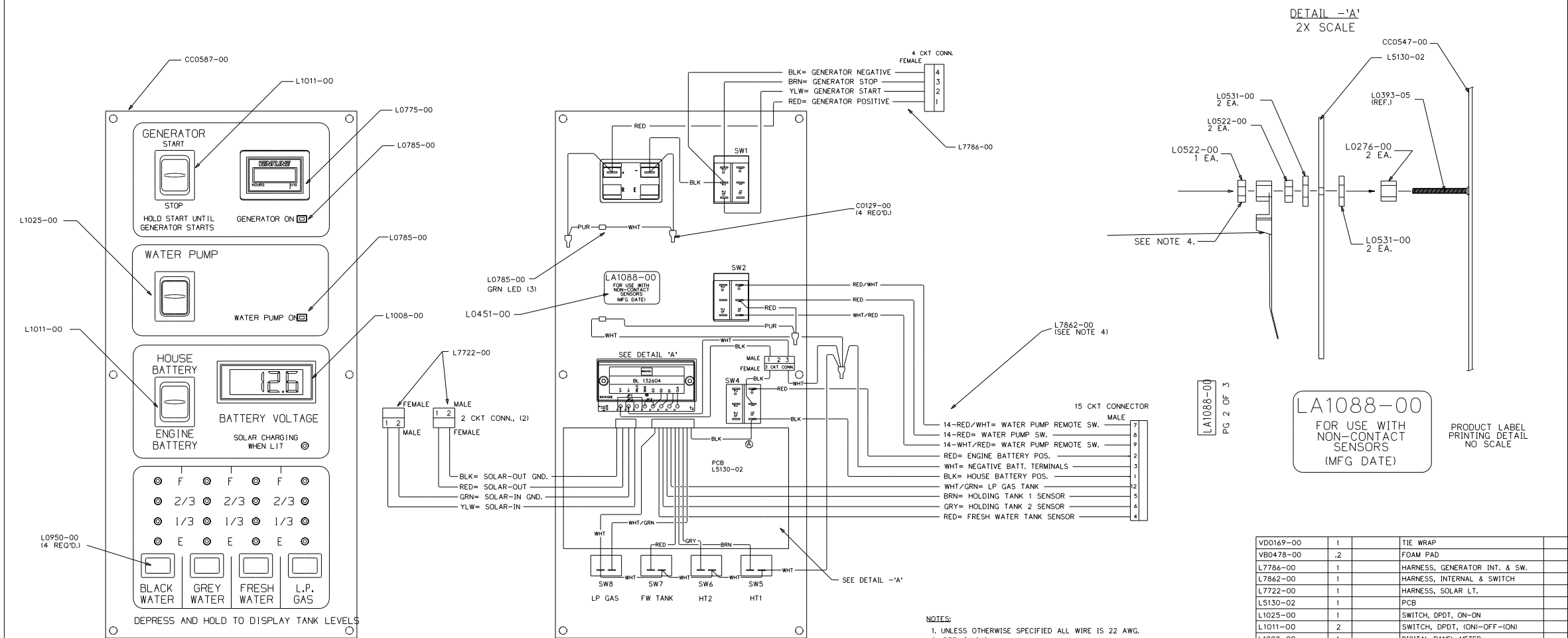
DATE	BY	DESCRIPTION
04/16/09	MJC	SEE PAGE 2 OF 3
04/16/09	MJC	CHECKED
		APP'VD

FIRST USED	10 R40CD
TITLE	DO NOT SCALE DRAWING
TITLE	PANEL - MONITOR
SHEET 11	PART NO 133004 REV

THIS DOCUMENT, INCLUDING ALL INFORMATION CONTAINED HEREIN, IS THE EXCLUSIVE AND CONFIDENTIAL PROPERTY OF VENTURINE DIVISION OF TOMKINS INDUSTRIES, INC. THE DOCUMENT AND INFORMATION ARE NOT TO BE COPIED, REPRODUCED OR DELIVERED TO OTHERS, IN WHOLE OR IN PART, WITHOUT THE EXPRESS WRITTEN PERMISSION OF VENTURINE DIVISION OF TOMKINS INDUSTRIES, INC. TO BE RECEIVED PRIMARILY TO VENTURINE AFTER HAVING SERVED THE PURPOSE FOR WHICH DELIVERED.

©1995 VENTURINE DIVISION, TOMKINS INDUSTRIES, INC.
All Rights Reserved, including the right to reproduce this document by any means.

LTG.	DESCRIPTION	DATE	DES.	CHK.
REL	RELEASED FOR PRODUCTION	ECH 17491	04/16/09	MJC



LA1088-00
PG 2 OF 3

LA1088-00
FOR USE WITH NON-CONTACT SENSORS (MFG DATE)
PRODUCT LABEL PRINTING DETAIL NO SCALE

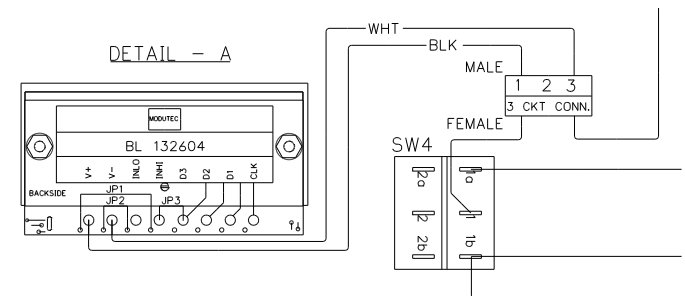
PART NO.	QTY	MATERIAL	DESCRIPTION	DWG SIZE
VD0169-00	1		TIE WRAP	
VB0478-00	.2		FOAM PAD	
L7786-00	1		HARNNESS, GENERATOR INT. & SW.	
L7862-00	1		HARNNESS, INTERNAL & SWITCH	
L7722-00	1		HARNNESS, SOLAR LT.	
LS130-02	1		PCB	
L1025-00	1		SWITCH, DPDT, ON-OFF	
L1011-00	2		SWITCH, DPDT, (ON)-OFF-(ON)	
L1008-00	1		DIGITAL PANEL METER	
L0950-00	4		SW., SPNO, (ON)-OFF PB	
L0785-00	2		LED, PANEL MOUNT, GRN	
L0775-00	1		HOBBES HOUR METER	
L0531-00	4		FIBER WASHER	
L0522-00	3		HEX NUT, 6-32	
L0451-00	1		LABEL	
L0276-00	2		PCB SPACER, .25"	
CO129-00	4		CONN., PARALLEL CRIMP	
CD0499-00	.1		CARTON	
CD0393-00	.1		CARTON LABEL	
CC0587-00	1		SCREENED CHASSIS	
CE0376-02	1		ANTI-STATIC POLY BAG	

- NOTES:
- UNLESS OTHERWISE SPECIFIED ALL WIRE IS 22 AWG.
 - REF. DWG'S:
HARNNESS, INTERNAL & SWITCH= L7862-00
HARNNESS, GEN. INTERNAL & SWITCH= L7786-00
HARNNESS, SOLAR LIGHT= L7722-00
PCB= LS130-02
HARNNESS, TEST= L8012-00
TEST BOX= L8506-00
 - ALL PIGTAILS TO BE SUPPLIED BY CUSTOMER.
 - BEFORE PACKING, SECURE HARNNESS WITH VD0169-00 TIE WRAP ON RIGHT SIDE POST.
 - LA1088-00 IS IDENTICAL IN FUNCTION TO LA1087-00.

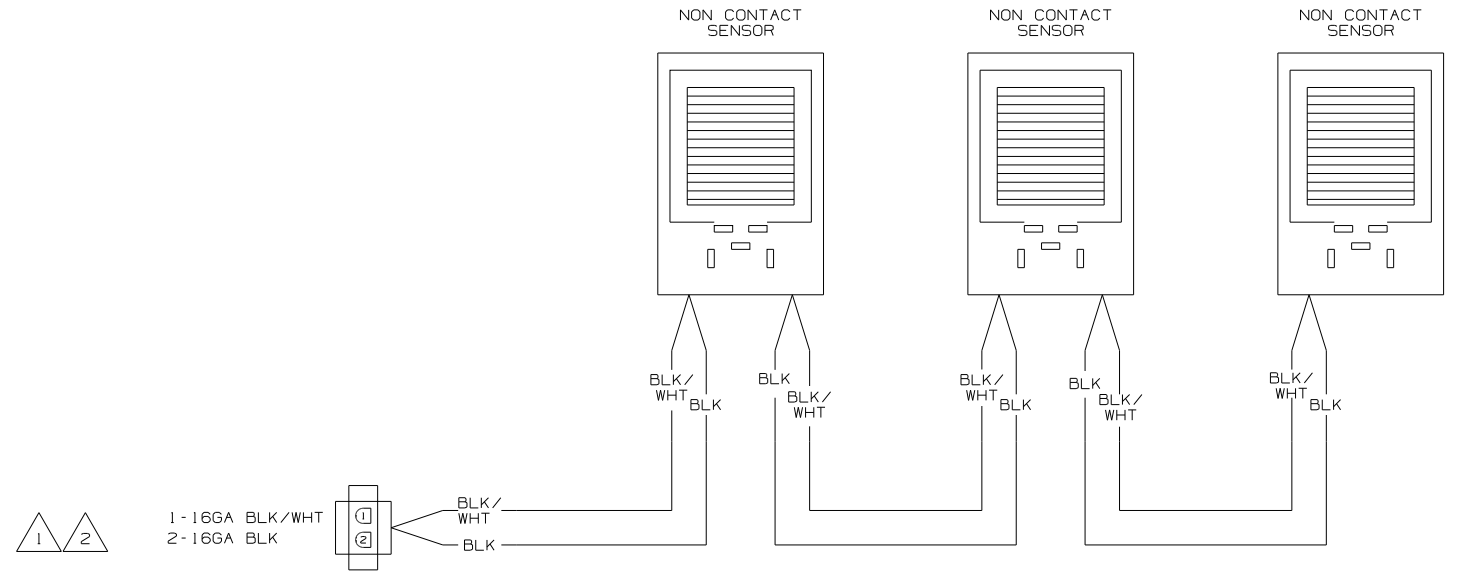
VISUALLY CHECK EACH PANEL FOR A RED CIRCUIT BOARD THAT IS THE SPECIFIED PART NUMBER

ENGLISH TOLERANCE UNLESS SPECIFIED:
0 PL.: .040
2 PL.: .010
3 PL.: .005
FRACTIONS: 1/64

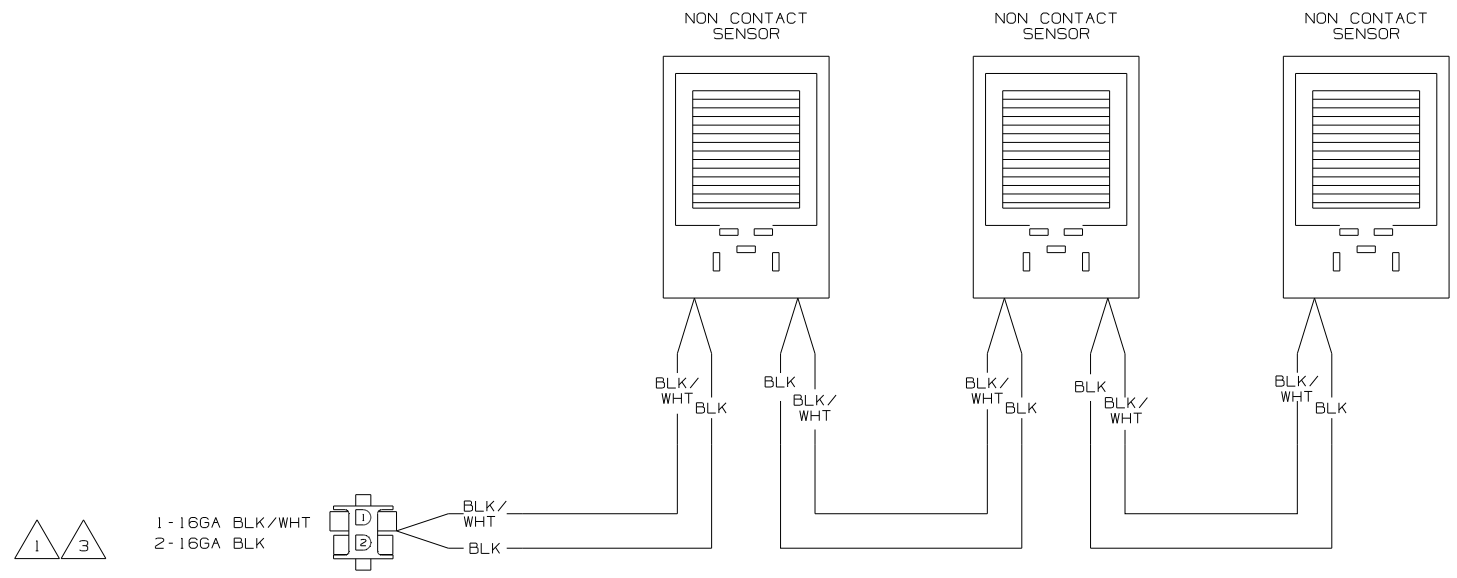
DRWN	DATE	MATERIAL	USED
MJC	10/03/08	SEE BOM	
CHECKED	DATE	NAME	SCALE: NONE
MJC	10/03/08	ASSEMBLY DRAWING,	DWG. NO. PG 2 OF 3
APPR'D	DATE	MONITOR PANEL	LA1088-00



FIRST USED	10 R40CD
TITLE:	DO NOT SCALE DRAWING
SHEET 12	PART NO 133004
	REV



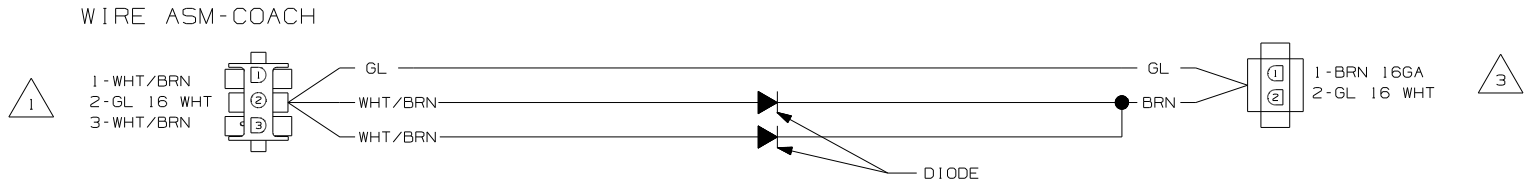
WIRING DIAGRAM-TANK, WATER
OR
WIRING DIAGRAM-TANK, MAIN
(WIRE ASM-151316 REV A)



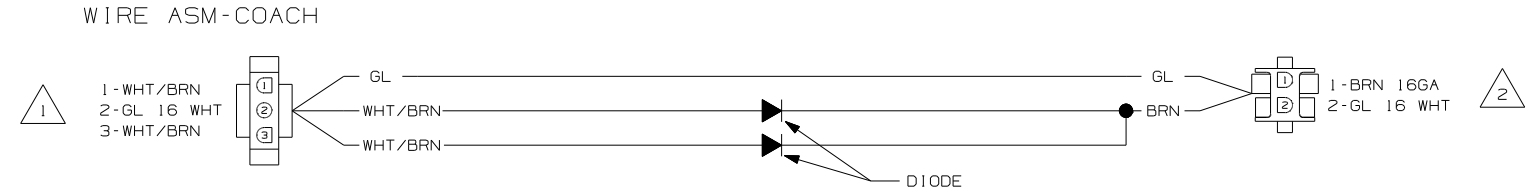
WIRING DIAGRAM-AUX HOLDING
(WIRE ASM-151317 REV A)

- NOTES:
- 3 IF TWO MONITOR PANELS ARE UTILIZED THIS WIRE ASM CONNECTS TO WIRE ASM-TANK,DIODE PACK 151808-01 SHT2.
 - 2 IF TWO MONITOR PANELS ARE UTILIZED THIS WIRE ASM CONNECTS TO WIRE ASM-TANK,DIODE PACK 151808-02 SHT2.
 - 1 IF ONLY ONE MONITOR PANEL IS USED SEE WIRING DIAGRAM-BODY FOR ADDITIONAL INFORMATION.

WINNEBAGO		COPYRIGHT 2009 WINNEBAGO INDUSTRIES, INC.	
DFTR	ORIG. DATE	ALL DIMENSIONS ARE IN MILLIMETERS	
CHKR		FIRST USED	
P.E.		05 MOTOR HOMES	
M.E.		UNSPECIFIED TOLERANCES ARE:	
DSNR		MATERIAL:	
		WHOLE DIM (X)	: 1
		ONE-PLACE (X.X)	: *
		TWO-PLACE (X.XX)	: *
		ANGLE	: *
		THIRD ANGLE PROJECTION	: *
DO NOT SCALE DRAWING			
TITLE: WIRING DIAGRAM-HOLDING TANKS			
SHEET 1 OF 2	PART NO	152594	
REF:	1 5/12/2009		



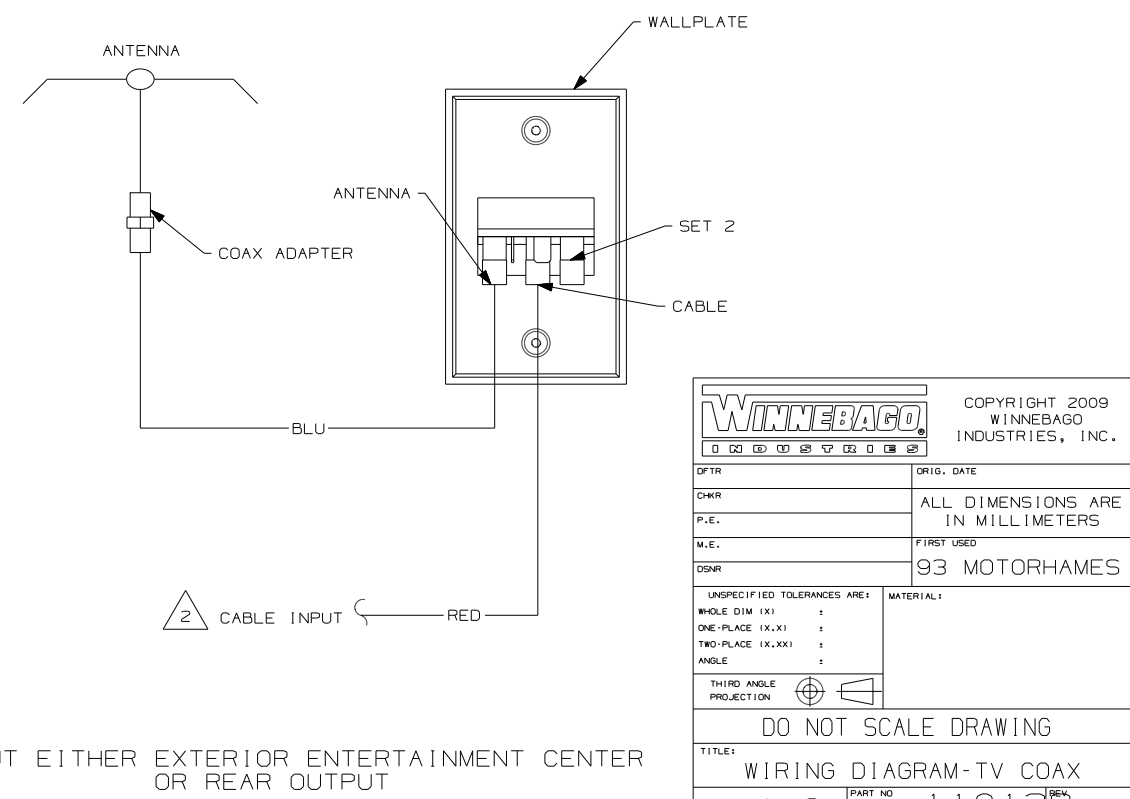
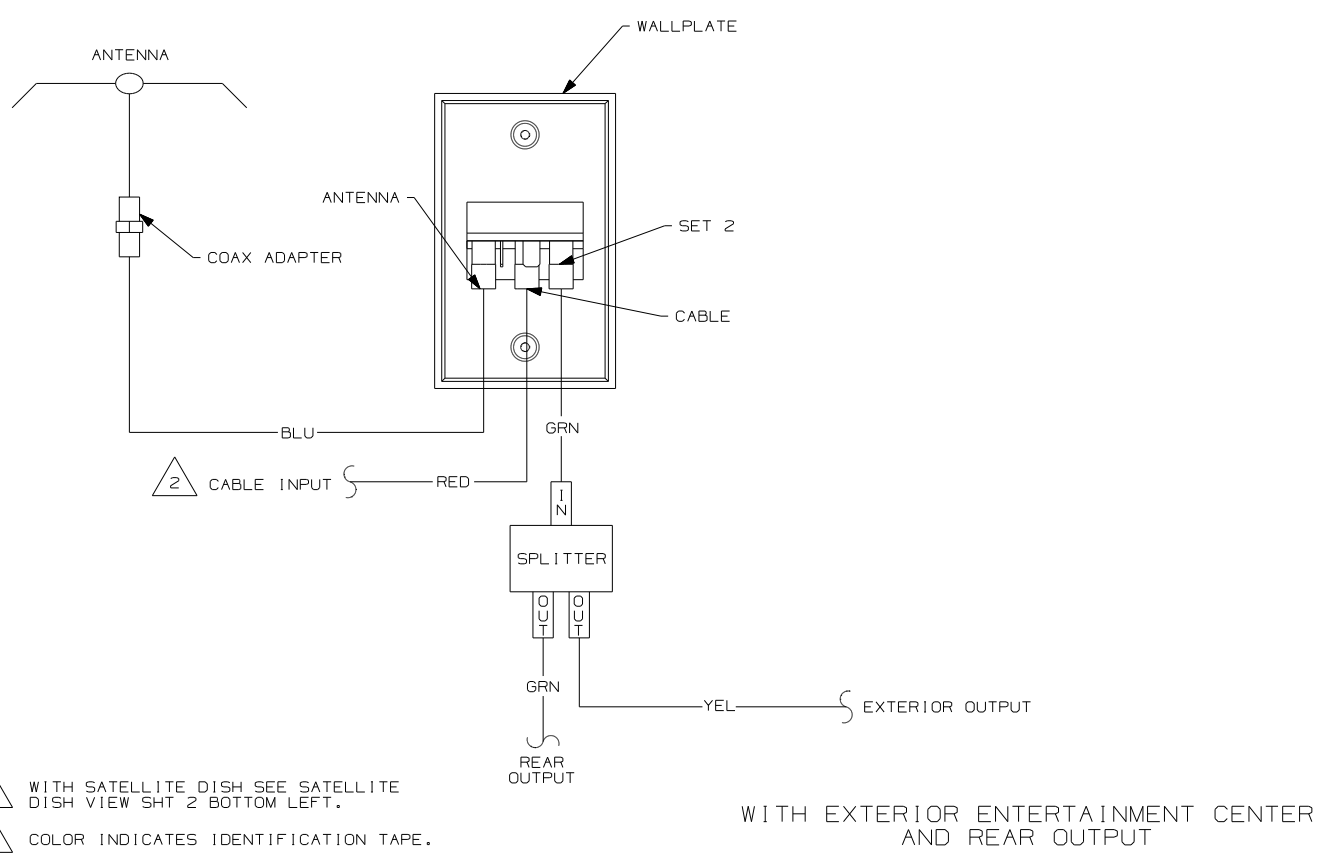
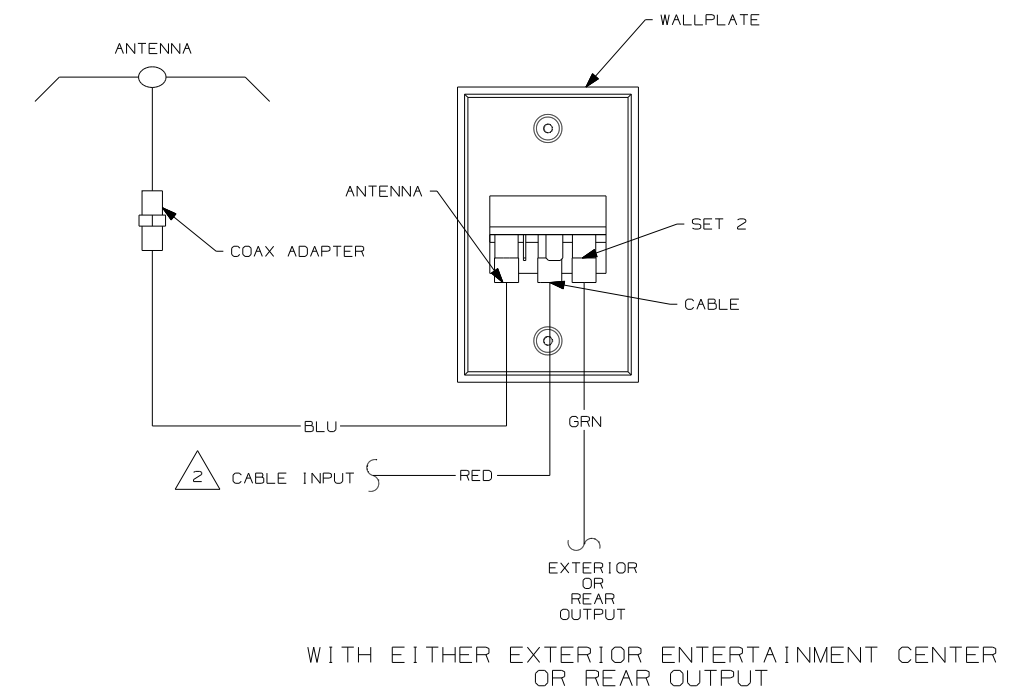
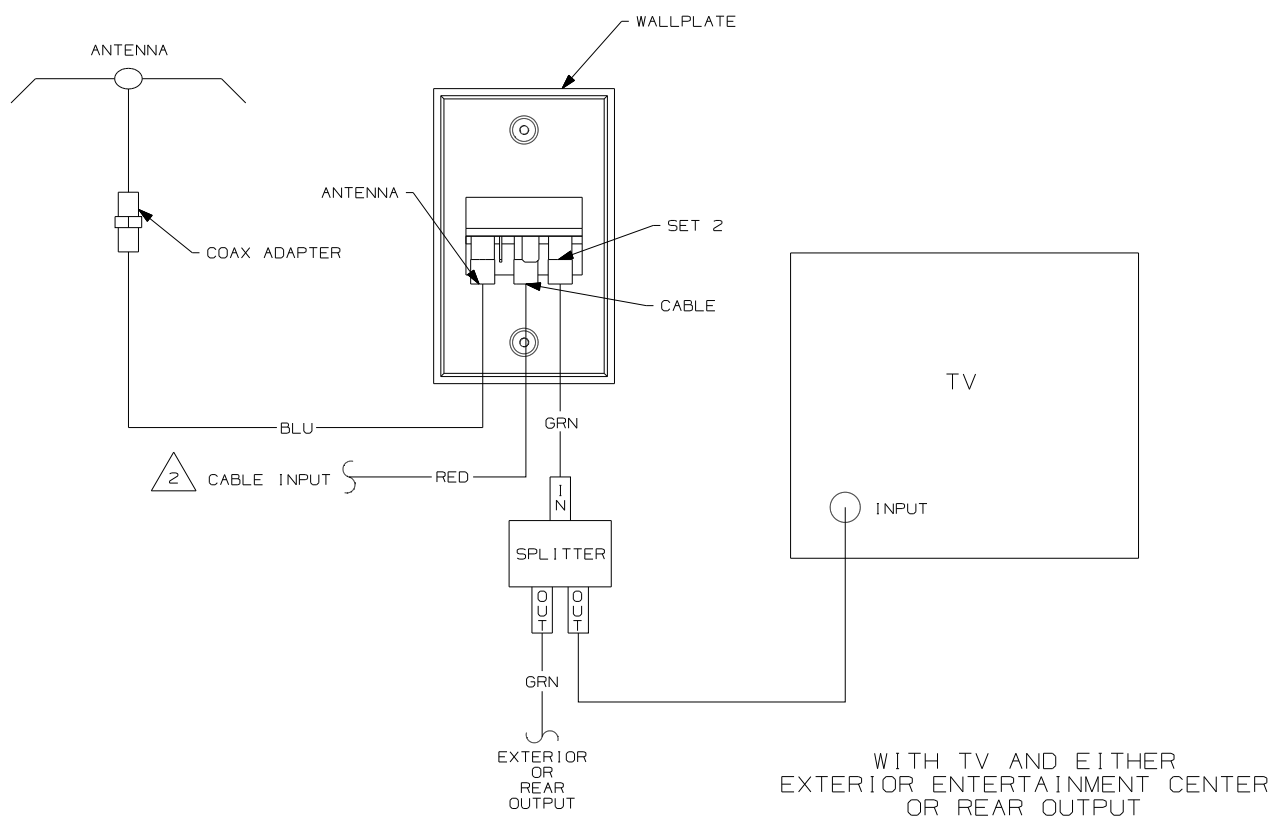
WIRING DIAGRAM-TANK,DIODE PACK
151808-01-000 REV A



WIRING DIAGRAM-TANK,DIODE PACK
151808-02-000 REV A

- NOTES:
- 3 CONNECT TO WIRE ASM-TANK,AUX. SEE SHT 1.
 - 2 CONNECT WIRE ASM-TANK,WATER OR MAIN. SEE SHT 1.
 - 1 SEE WIRING DIAGRAM-BODY FOR ADDITIONAL INFORMATION.

FIRST USED	05 MOTOR HOMES
TITLE:	DO NOT SCALE DRAWING
	WIRING DIAGRAM-HOLDING TANKS
SHEET 2	PART NO 152594 REV



NOTES:

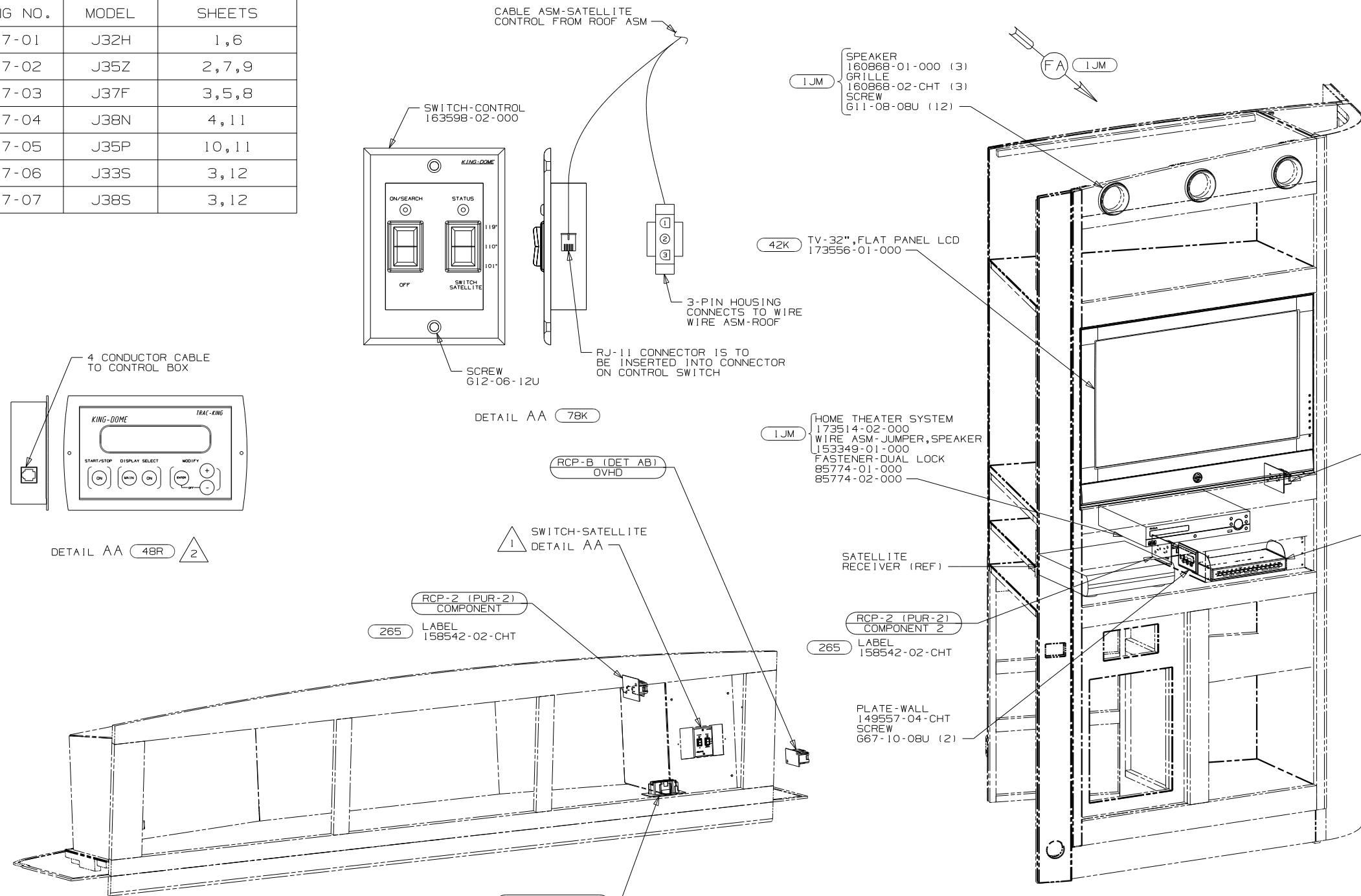
2 WITH SATELLITE DISH SEE SATELLITE DISH VIEW SHT 2 BOTTOM LEFT.

1 COLOR INDICATES IDENTIFICATION TAPE.

WINNEBAGO		COPYRIGHT 2009 WINNEBAGO INDUSTRIES, INC.	
DFTR	ORIG. DATE	ALL DIMENSIONS ARE IN MILLIMETERS	
CHKR		FIRST USED	
P.E.		93 MOTORHAMES	
M.E.		UNSPECIFIED TOLERANCES ARE:	
DSNR		MATERIAL:	
		WHOLE DIM (X)	:
		ONE-PLACE (X.X)	:
		TWO-PLACE (X.XX)	:
		ANGLE	:
		THIRD ANGLE PROJECTION	⊕
DO NOT SCALE DRAWING			
TITLE: WIRING DIAGRAM-TV COAX			
SHEET 1 OF 2	PART NO	110138	
REF:	1 4/7/2009		

DRAWING NO.	MODEL	SHEETS
169917-01	J32H	1,6
169917-02	J35Z	2,7,9
169917-03	J37F	3,5,8
169917-04	J38N	4,11
169917-05	J35P	10,11
169917-06	J33S	3,12
169917-07	J38S	3,12

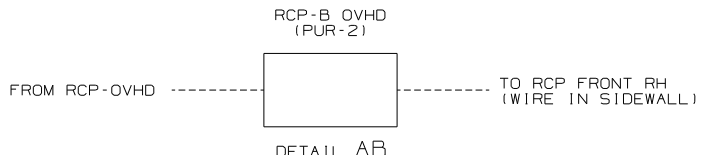
RELEASE	REV DATE	DWG NO
A		169917
REV ZONE	REVISION RECORD	DATE



- 48R SAT TV SYSTEM IN-MOTION
- 42K TV-32" COLOR, STEREO W/REMOTE
- 78K SATELLITE DISH-AUTOMATIC
- 25F DIGITAL VIDEO DISC PLAYER
- 1JM HOME THEATER SOUND SYSTEM
- 1JF HOME THEATER SYS-WITHOUT
- 79H ENTERTAINMENT CTR-INTERIOR
- 265 CODES/STANDARDS-CSA/CMVSS
- 1B1 CODES/STANDARDS USA

2 PARTS ARE SUPPLIED WITH SATELLITE KIT 154474-02-000.

1 SEE ROOF ASM FOR ADDITIONAL INFORMATION.



FOR ELECTRICAL TORQUE SPECIFICATIONS SEE DWG NO. 128783-01-000

FOR ELECTRICAL CALLOUTS SEE DWG NO. 121339-01-000

WINNEBAGO COPYRIGHT 2010 WINNEBAGO INDUSTRIES, INC.

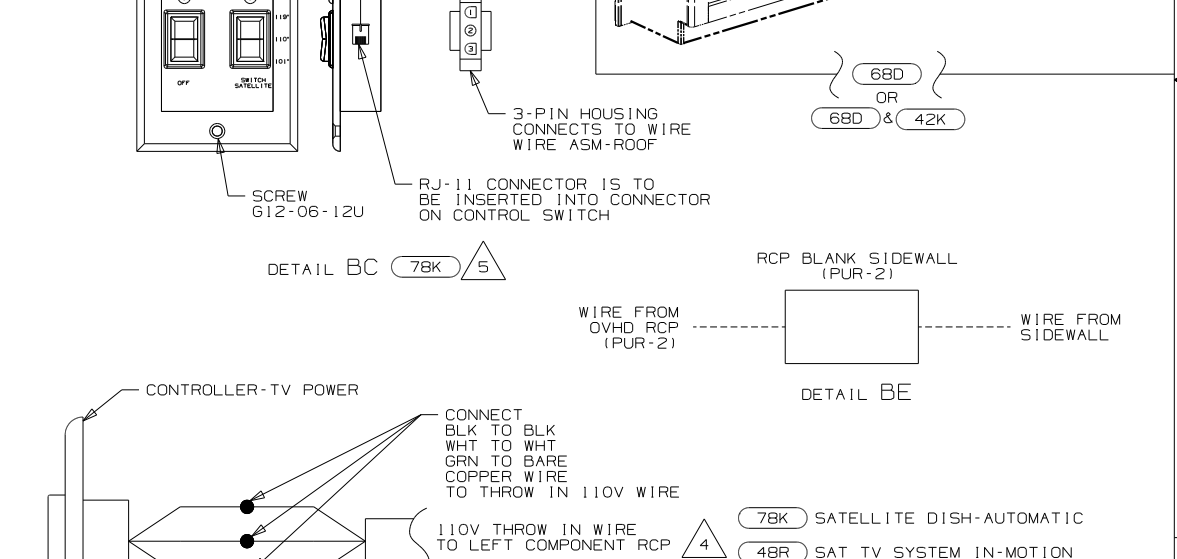
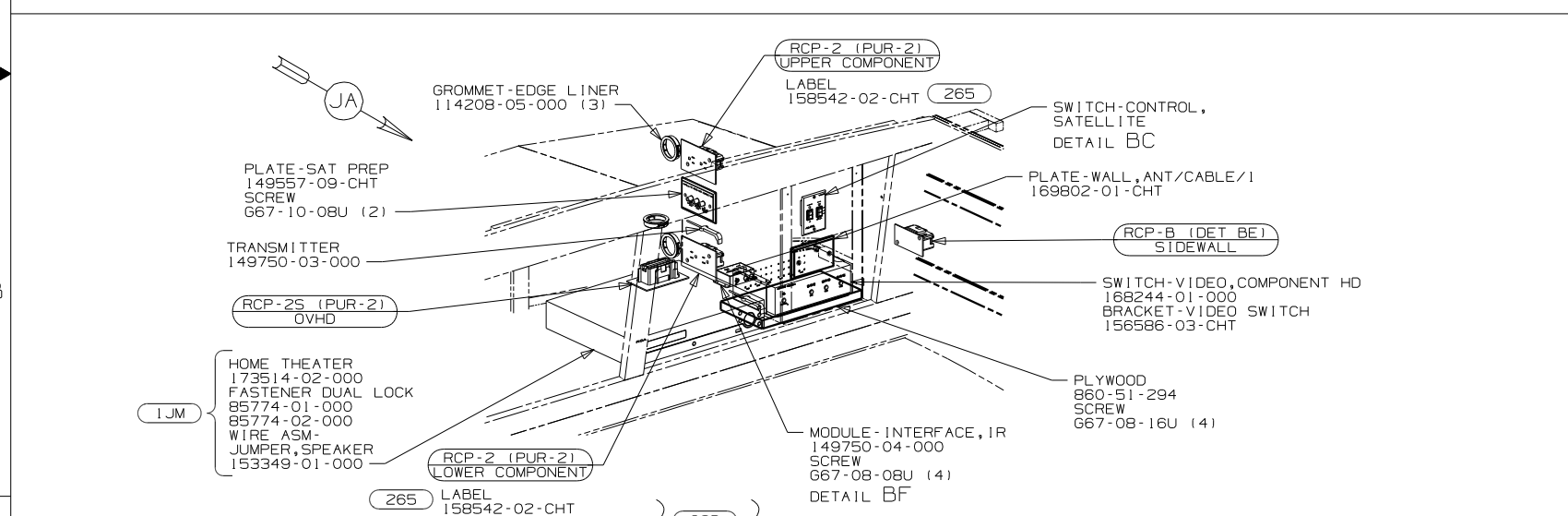
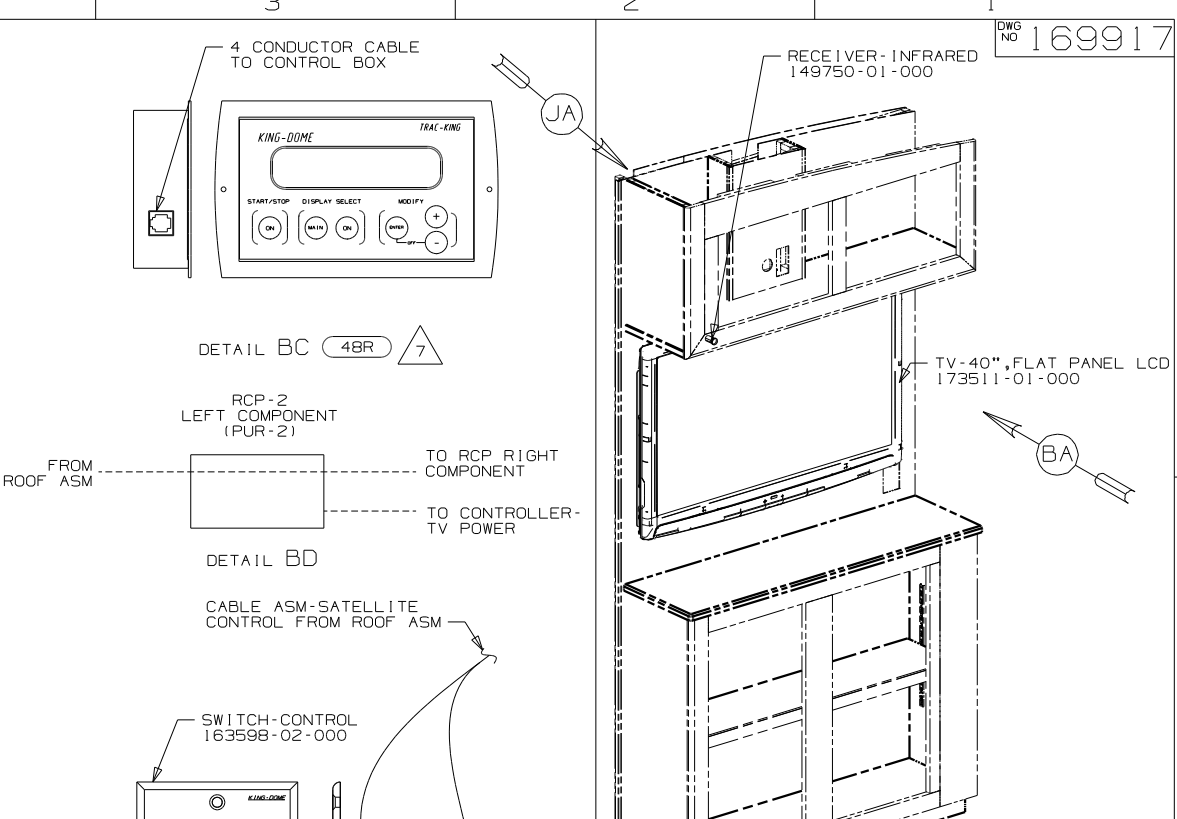
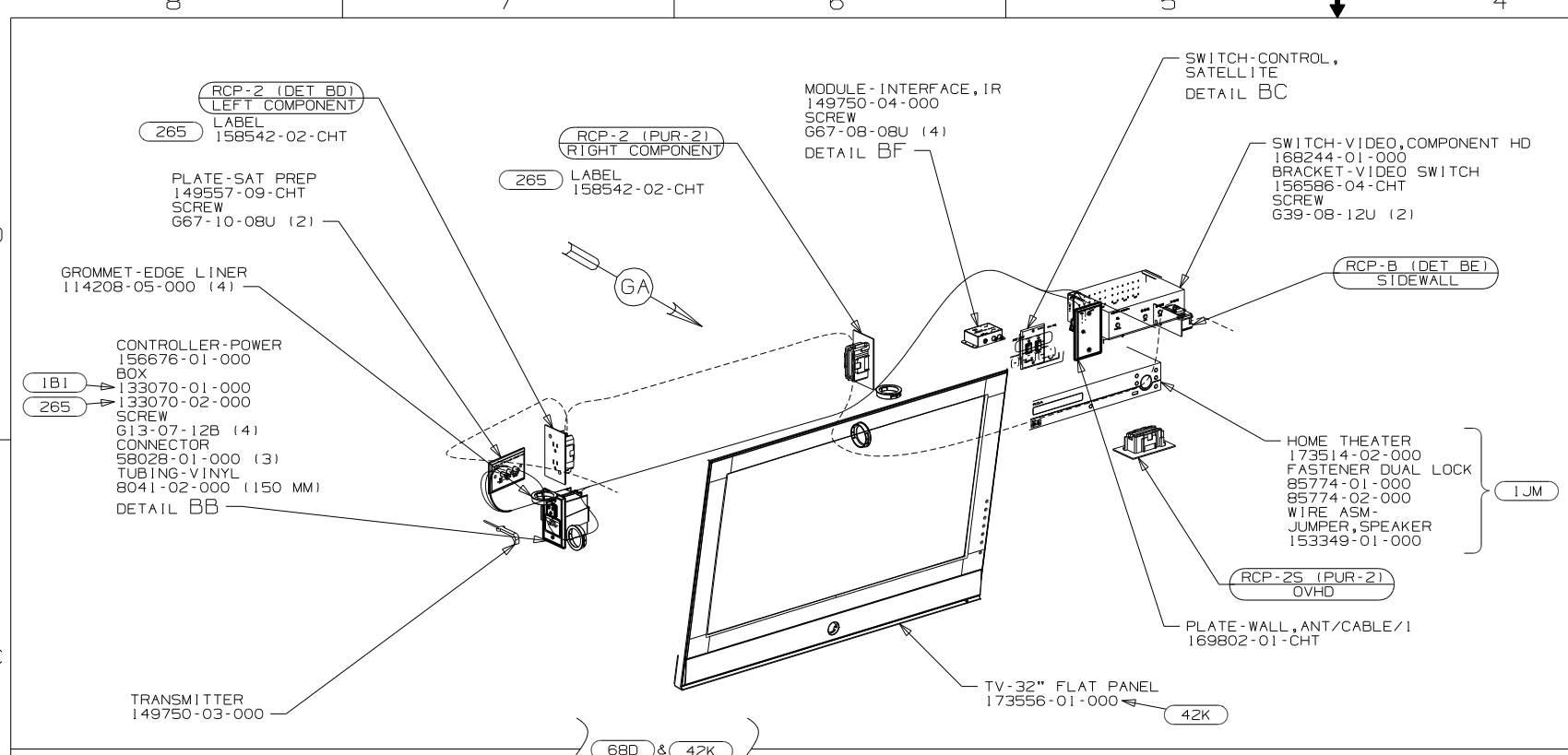
DFTR	ORIG. DATE
CHKR	ALL DIMENSIONS ARE IN MILLIMETERS
P.E.	
M.E.	FIRST USED
DSNR	10 J-SERIES
UNSPECIFIED TOLERANCES ARE:	MATERIAL:
HOLE DIM (X) : 3	
ONE-PLACE (X.X) : 1.5	
TWO-PLACE (X.XX) : 0.50	
ANGLE : 1°	
THIRD ANGLE PROJECTION	

DO NOT SCALE DRAWING

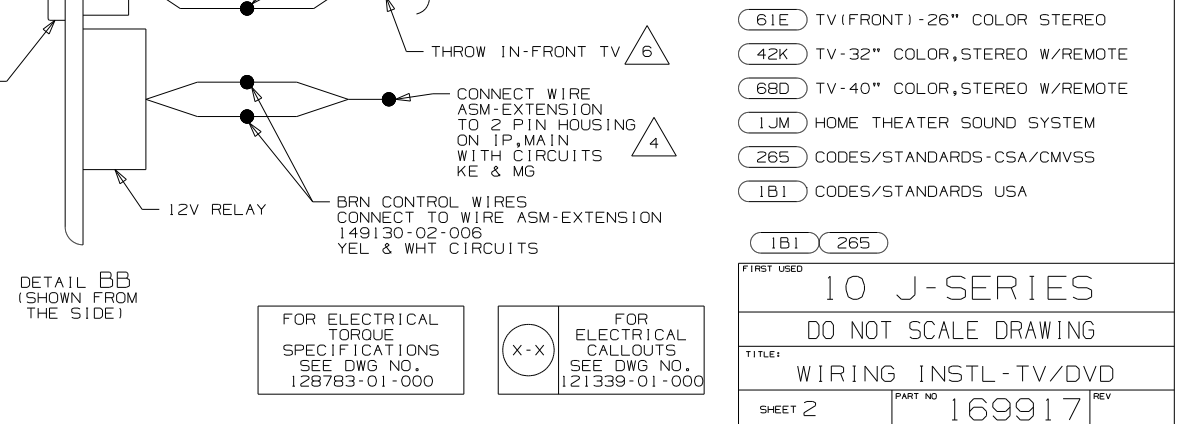
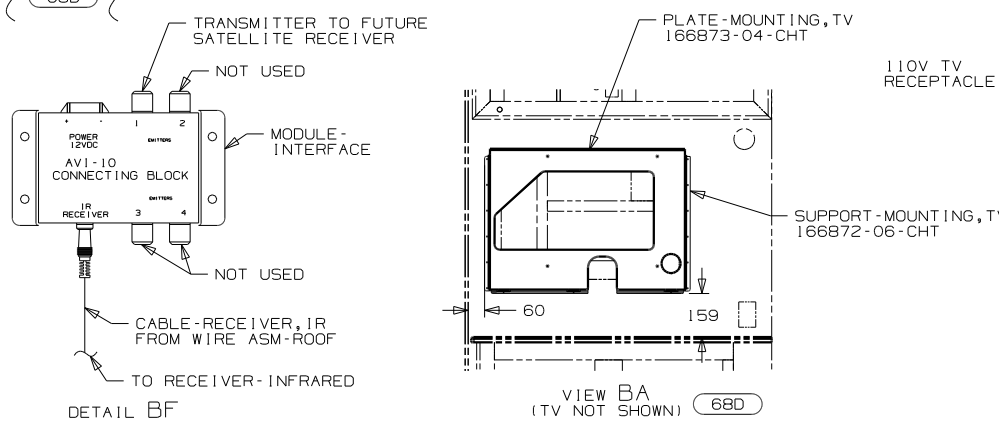
TITLE: WIRING INSTL-TV/DVD

SHEET 1 of 12 PART NO 169917 REV

REF: 1/3/15/2010



- NOTES:
- 7 PARTS ARE SUPPLIED WITH SATELLITE KIT 154474-02-000.
 - 6 SEE LOAD CENTER/ATS ASM FOR ADDITIONAL INFORMATION.
 - 5 SEE ROOF ASM FOR ADDITIONAL INFORMATION.
 - 4 ROUTE 110V AND 12V WIRES IN OPPOSITE ENDS OF ELECTRICAL BOX.
 - 3. WHERE WIRES PASS THROUGH HOLES IN STEEL AND NOT OTHERWISE PROTECTED, USE GROMMET 92908-02-000.
 - 2. ALL WIRES TO BE SECURED WITH CLAMP 10495-01-000 OR CLIP 80734-01-000 EVERY 600MM. USE SCREW 667-10-12B UNLESS OTHERWISE SPECIFIED.
 - 1. 110V WIRE TO BE CLAMPED WITH CLAMP 10497-05-000 WITHIN 200MM OF OUTLET BOXES, USE SCREW 667-10-12B.

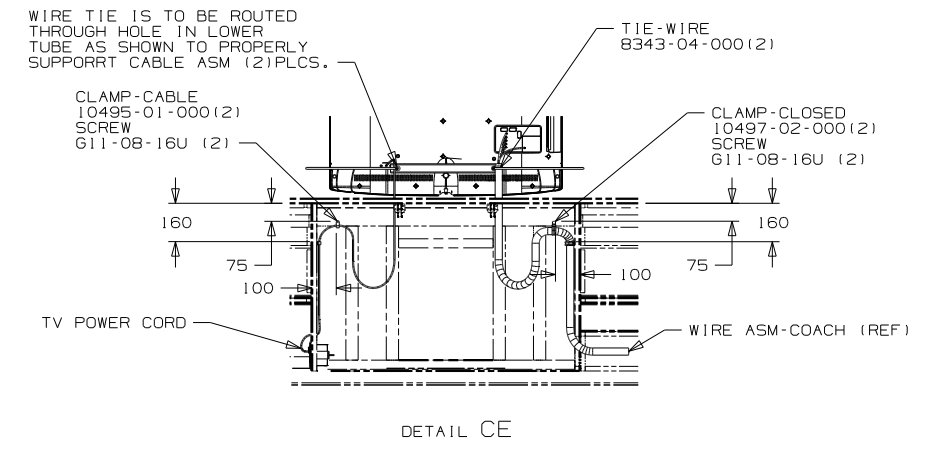
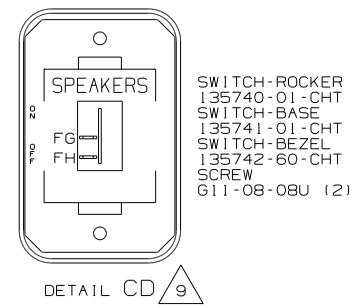
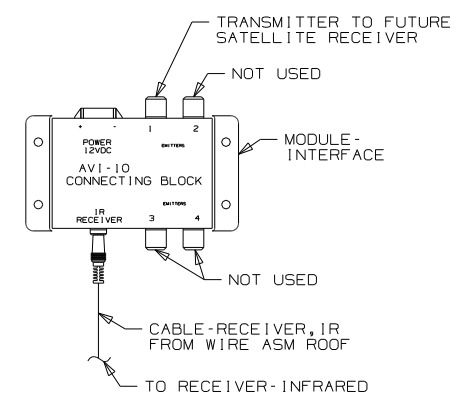
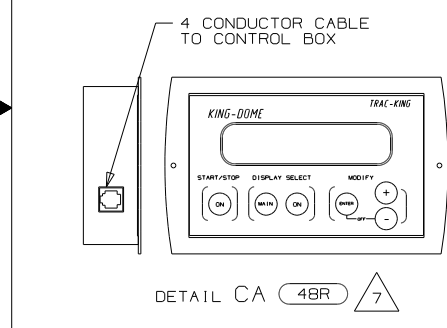
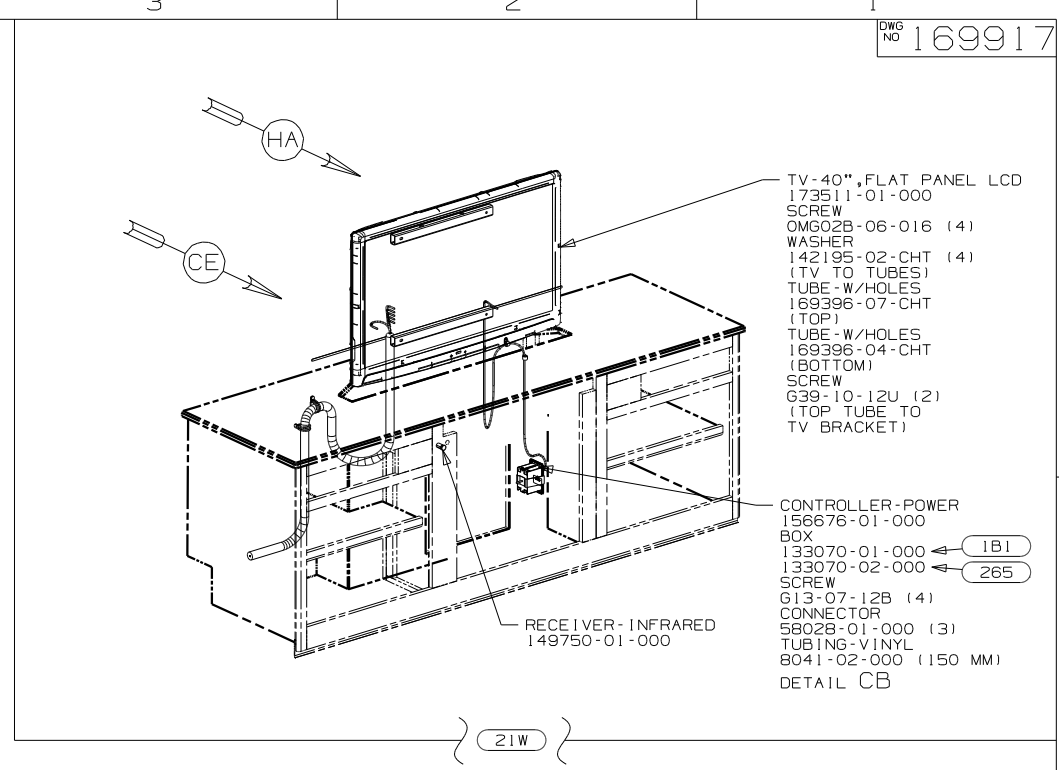
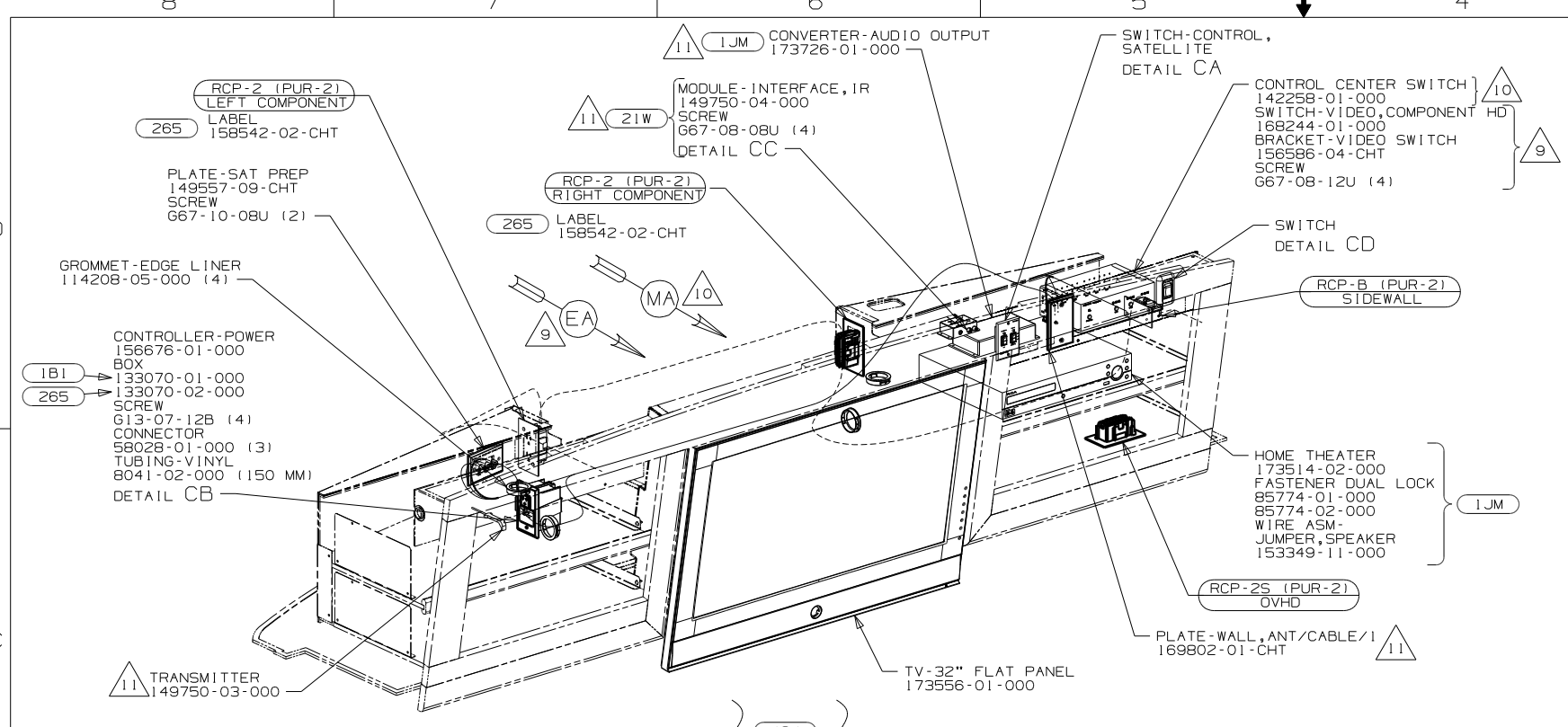


- 78K SATELLITE DISH-AUTOMATIC
- 48R SAT TV SYSTEM IN-MOTION
- 61E TV(FRONT)-26" COLOR STEREO
- 42K TV-32" COLOR, STEREO W/REMOTE
- 68D TV-40" COLOR, STEREO W/REMOTE
- 1JM HOME THEATER SOUND SYSTEM
- 265 CODES/STANDARDS-CSA/CMVSS
- 1B1 CODES/STANDARDS USA

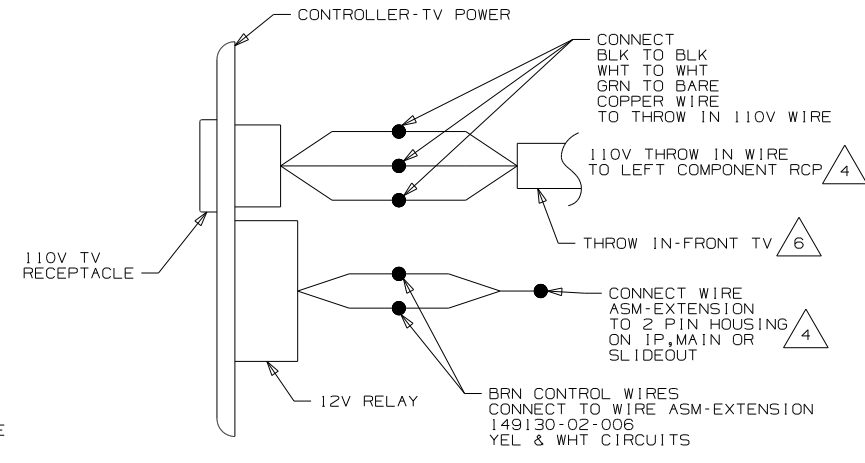
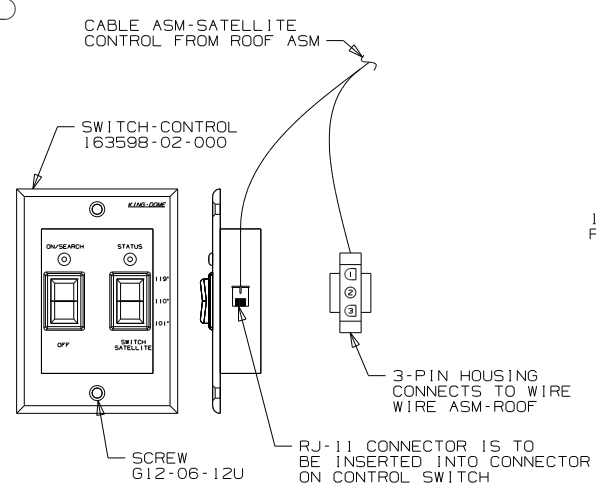
FOR ELECTRICAL TORQUE SPECIFICATIONS SEE DWG NO. 128783-01-000

FOR ELECTRICAL CALLOUTS SEE DWG NO. 121339-01-000

FIRST USED	
10 J-SERIES	
DO NOT SCALE DRAWING	
TITLE: WIRING INSTL-TV/DVD	
SHEET 2	PART NO 169917 REV



- 11 NOT USED ON J33S OR J38S.
 - 10 USED ON J33S OR J38S ONLY.
 - 9 USED ON J37F ONLY.
 - 8 POSITION TRANSMITTER ON THE TOP OF THE DVD/VCR USING TIE-MOUNT 155366-01-000 AND TIE-WIRE 8343-01-000 180MM FROM THE RIGHT SIDE TO LINE UP WITH THE RECEIVER EYE.
 - 7 PARTS ARE SUPPLIED WITH SATELLITE KIT 154474-02-000.
 - 6 SEE LOAD CENTER/ATS ASM FOR ADDITIONAL INFORMATION.
 - 5 SEE ROOF ASM FOR ADDITIONAL INFORMATION.
 - 4 ROUTE 110V AND 12V WIRES IN OPPOSITE ENDS OF ELECTRICAL BOX.
3. WHERE WIRES PASS THROUGH HOLES IN STEEL AND NOT OTHERWISE PROTECTED, USE GROMMET 92908-02-000.
 2. ALL WIRES TO BE SECURED WITH CLAMP 10495-01-000 OR CLIP 80734-01-000 EVERY 600MM. USE SCREW 667-10-12B UNLESS OTHERWISE SPECIFIED.
 1. 110V WIRE TO BE CLAMPED WITH CLAMP 10497-05-000 WITHIN 200MM OF OUTLET BOXES, USE SCREW 667-10-12B.

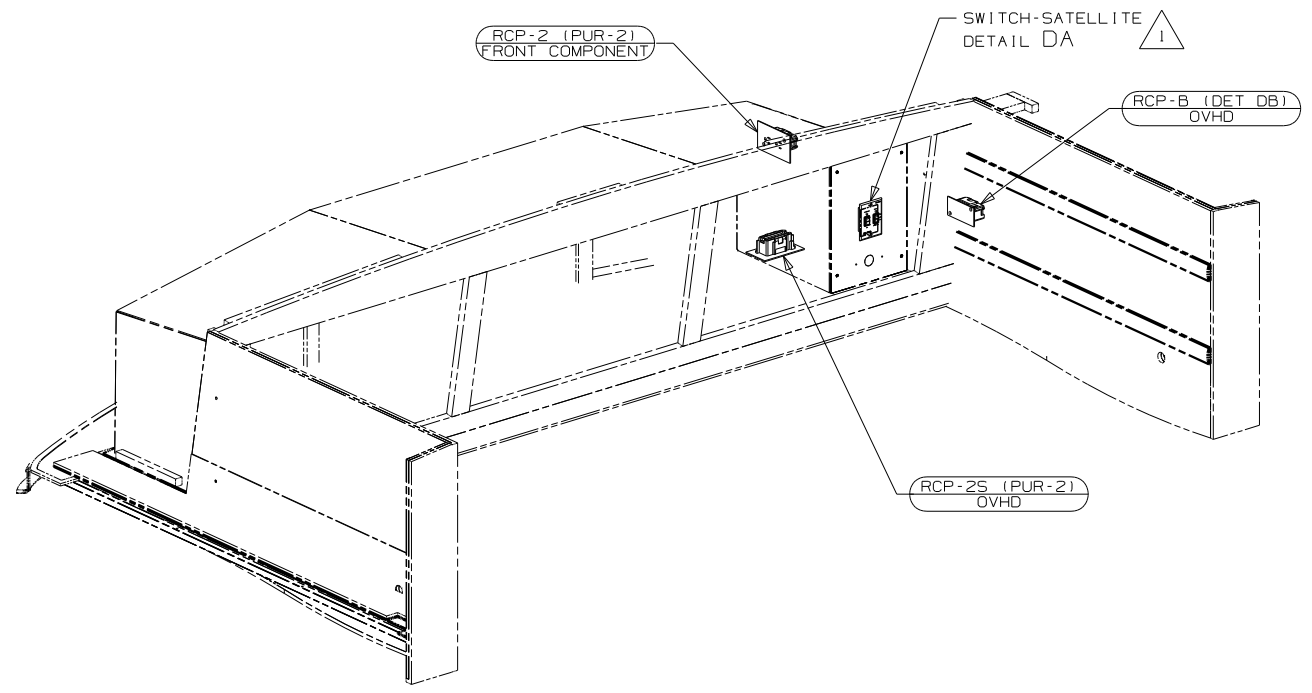


FOR ELECTRICAL TORQUE SPECIFICATIONS SEE DWG NO. 128783-01-000

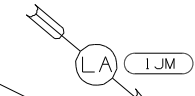
FOR ELECTRICAL CALLOUTS SEE DWG NO. 121339-01-000

- (61E) TV (FRONT) - 26" COLOR STEREO
- (42K) TV-32" COLOR, STEREO W/REMOTE
- (48R) SAT TV SYSTEM IN-MOTION
- (78K) SATELLITE DISH-AUTOMATIC
- (1JM) HOME THEATER SOUND SYSTEM
- (21W) DINING/BUFFET/37" TV
- (265) CODES/STANDARDS-CSA/CMVSS
- (1B1) CODES/STANDARDS USA

FIRST USED	
10 J-SERIES	
DO NOT SCALE DRAWING	
TITLE: WIRING INSTL-TV/DVD	
SHEET 3	PART NO 169917 REV

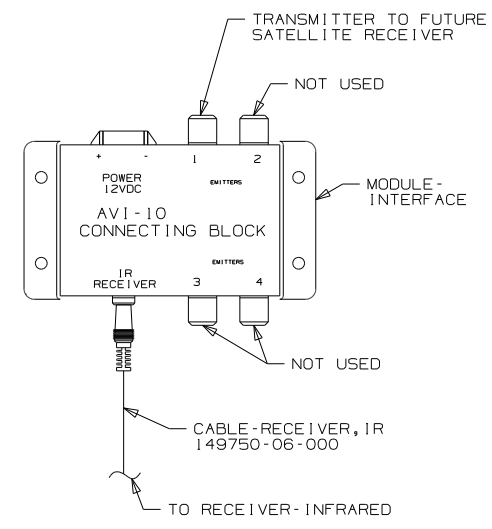
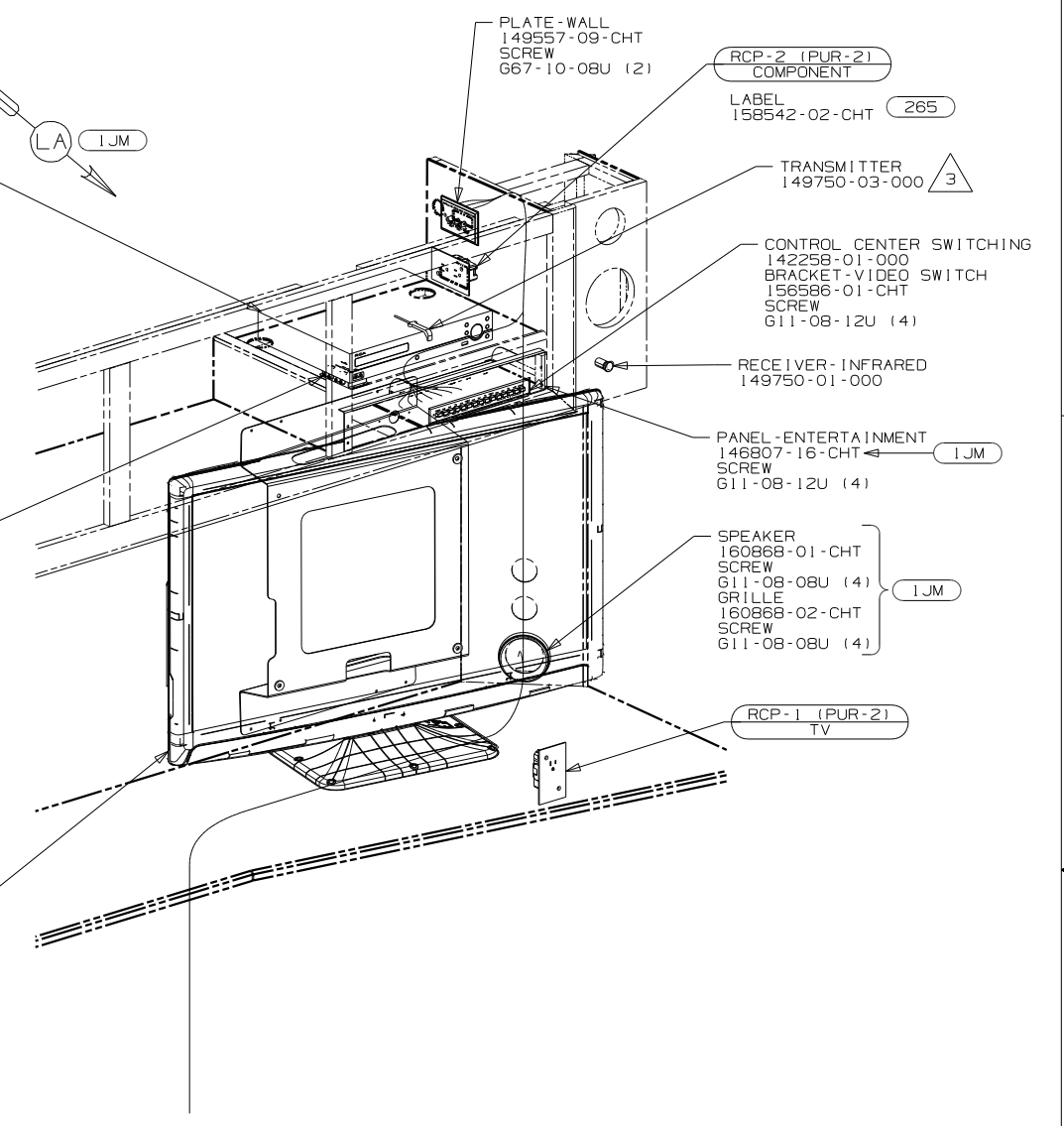


HOME THEATER SYSTEM
 173514-02-000
 WIRE ASM-JUMPER,SPEAKER
 153349-01-000
 FASTENER-DUAL LOCK
 85774-01-000
 85774-02-000

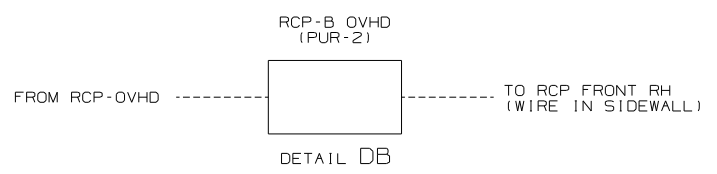


MODULE-INTERFACE,IR
 149750-04-000
 SCREW
 667-08-08U (4)
 CONNECTS TO 2 PIN
 HOUSING ON WIRE
 ASM-SIDE TV
 DETAIL DE

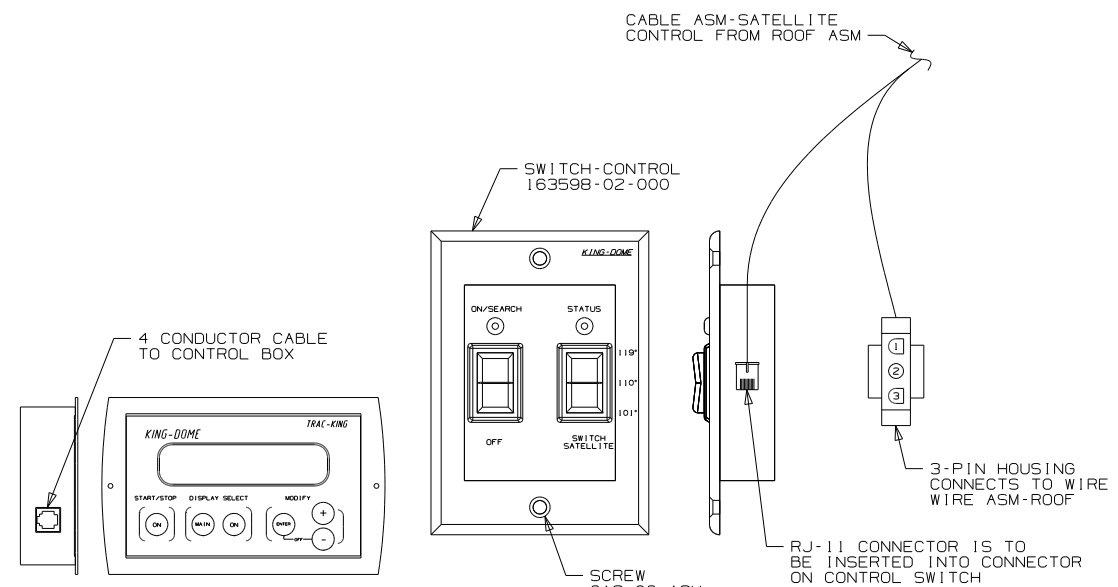
TV-40",FLAT PANEL LCD
 173511-01-000
 BRACKET-TV,40"
 164765-09-CHT
 SCREW
 639-08-12U (10)
 (BRACKET TO WALL)
 SCREW
 0MGO2B-06-016 (4)
 WASHER
 142195-02-CHT (4)
 (TV TO BRACKET)



DETAIL DE



DETAIL DB



DETAIL DA 48R 2

DETAIL DA 78K

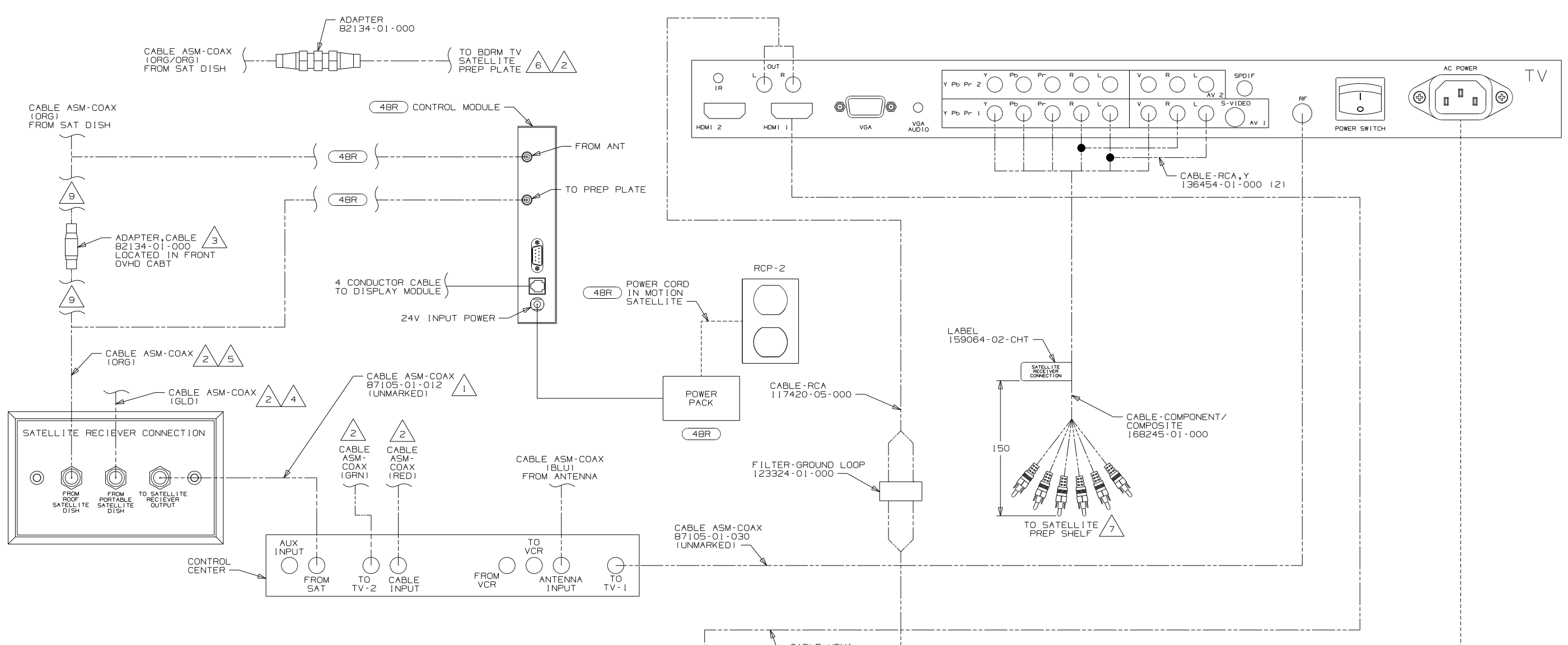
- 480 SATELLITE TV SYSTEM MANUAL
- 48R SAT TV SYSTEM IN-MOTION
- 68D TV-40" COLOR,STEREO W/REMOTE
- 78K SATELLITE DISH-AUTOMATIC
- 25F DIGITAL VIDEO DISC PLAYER
- IJM HOME THEATER SOUND SYSTEM
- IJF HOME THEATER SYS-WITHOUT
- 79H ENTERTAINMENT CTR-INTERIOR
- 265 CODES/STANDARDS-CSA/CMVSS
- 1B1 CODES/STANDARDS USA

NOTES:
 3 POSITION TRANSMITTER ON THE TOP OF THE DVD/VCR USING TIE-MOUNT 155366-01-000 AND TIE-WIRE 8343-01-000 180MM FROM THE RIGHT SIDE TO LINE UP WITH THE RECEIVER EYE.
 2 PARTS ARE SUPPLIED WITH SATELLITE KIT 154474-02-000.
 1 SEE ROOF ASM FOR ADDITIONAL INFORMATION.

FOR ELECTRICAL TORQUE SPECIFICATIONS SEE DWG NO. 128783-01-000

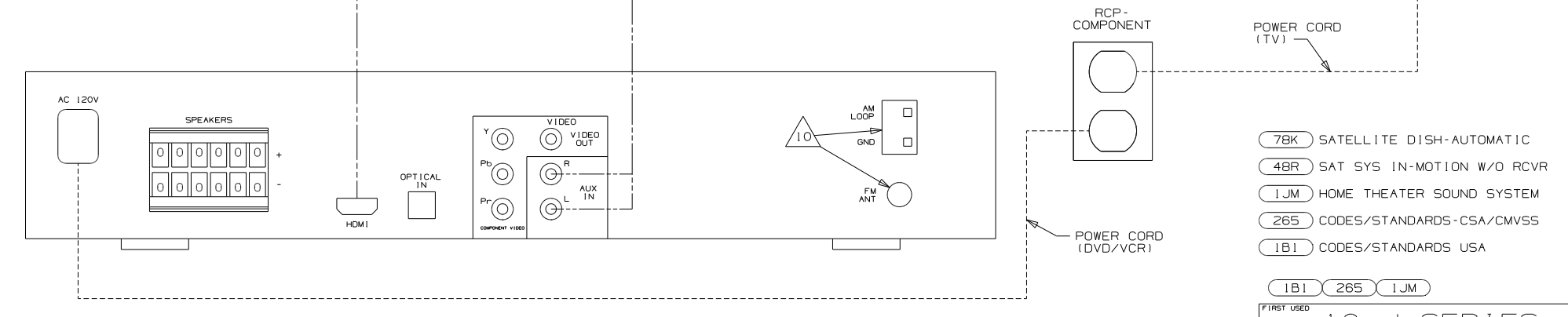
X-X FOR ELECTRICAL CALLOUTS SEE DWG NO. 121339-01-000

FIRST USED
10 J-SERIES
 DO NOT SCALE DRAWING
 TITLE: **WIRING INSTL-TV/DVD**
 SHEET 4 PART NO 169917 REV



- 10 CONNECT ANTENNA CABLES TO DVD PLAYER AND MOUNT ANTENNAS AS HIGH AS POSSIBLE.
- 9 WITH (48R) COAX CABLES ARE CONNECTED TO THE SATELLITE CONTROL MODULE AS SHOWN BYPASSING THE ADAPTER, CABLE.
- 8 CABLE IS SUPPLIED WITH HOME THEATER RECEIVER.
- 7 ROUTE CABLE TO LEFT OVHD CABINET AND COIL EXCESS NEXT TO SATELLITE PREP PLATE.
- 6 SEE WIRING INSTL-BODY, 12V FOR ADDITIONAL INFORMATION
- 5 CONNECTED TO THE REAR SIDE OF SATELLITE PREP PLATE, CONNECTION LABELED 'FROM ROOF SATELLITE DISH.'
- 4 CONNECTED TO THE REAR SIDE OF SATELLITE PREP PLATE, CONNECTION LABELED 'FROM PORTABLE SATELLITE DISH.'
- 3 NOT USED WITH (48R)
- 2 CABLE ROUTED IN ROOF OR THROUGH WIRE ASM-COACH.
- 1 CONNECTED TO THE REAR SIDE OF SATELLITE PREP PLATE, CONNECTION LABELED 'TO SATELLITE RECEIVER OUTPUT.'

NOTES:



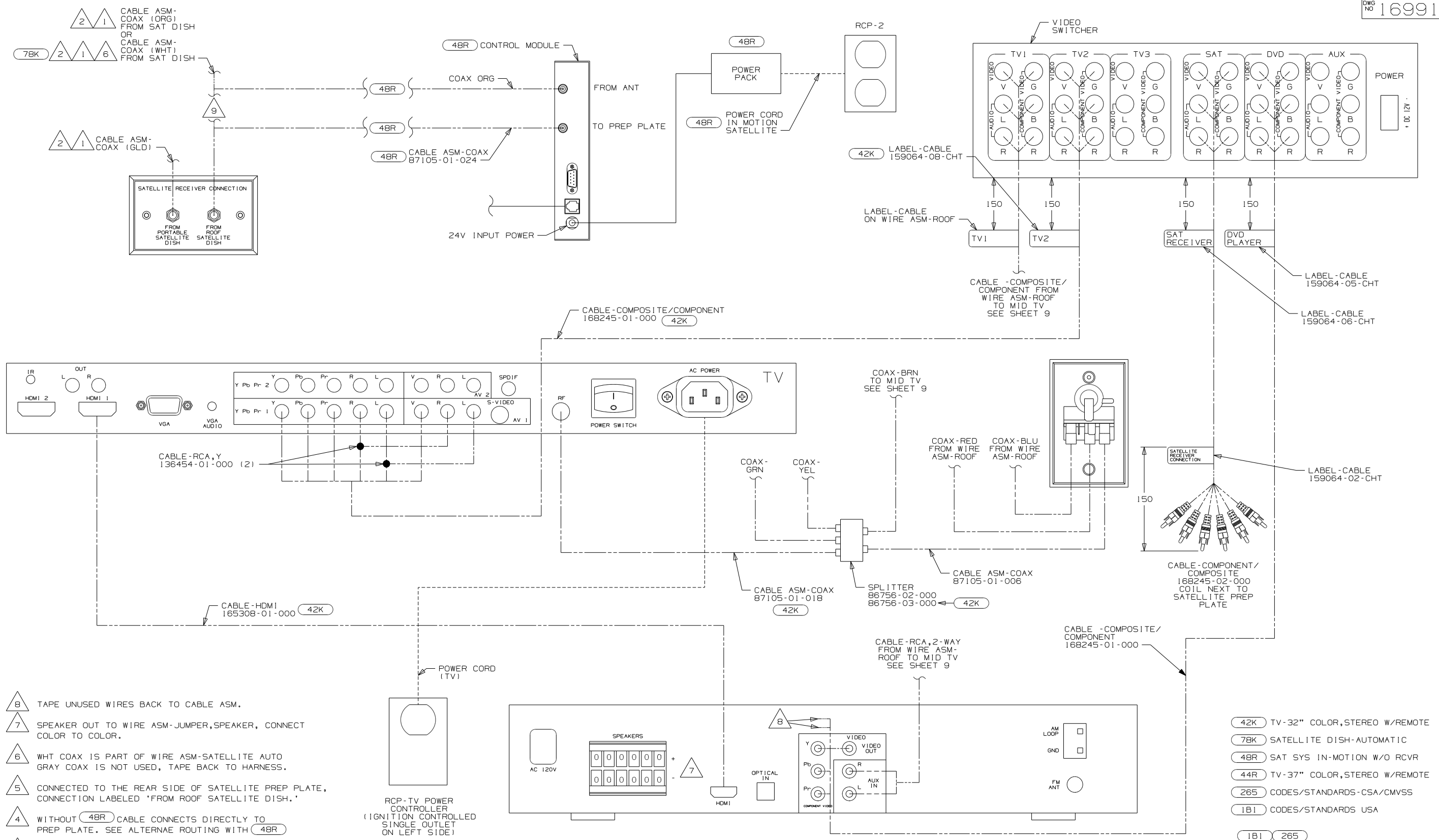
DETAIL FA

FOR ELECTRICAL TORQUE SPECIFICATIONS SEE DWG NO. 128783-01-000

X-X FOR ELECTRICAL CALLOUTS SEE DWG NO. 121339-01-000

- (78K) SATELLITE DISH-AUTOMATIC
- (48R) SAT SYS IN-MOTION W/O RCVR
- (1JM) HOME THEATER SOUND SYSTEM
- (265) CODES/STANDARDS-CSA/CMVSS
- (1B1) CODES/STANDARDS USA

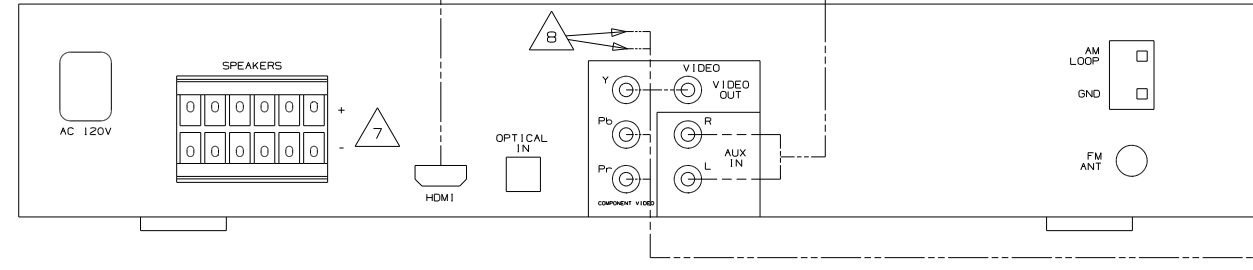
FIRST USED	
10 J-SERIES	
DO NOT SCALE DRAWING	
TITLE: WIRING INSTL-TV/DVD	
SHEET 6	PART NO 169917 REV



- 8 TAPE UNUSED WIRES BACK TO CABLE ASM.
- 7 SPEAKER OUT TO WIRE ASM-JUMPER, SPEAKER, CONNECT COLOR TO COLOR.
- 6 WHT COAX IS PART OF WIRE ASM-SATELLITE AUTO GRAY COAX IS NOT USED, TAPE BACK TO HARNESS.
- 5 CONNECTED TO THE REAR SIDE OF SATELLITE PREP PLATE, CONNECTION LABELED 'FROM ROOF SATELLITE DISH.'
- 4 WITHOUT (48R) CABLE CONNECTS DIRECTLY TO PREP PLATE. SEE ALTERNAE ROUTING WITH (48R)
- 3 CABLE IS SUPPLIED WITH DVD
- 2 CABLE ROUTED IN ROOF.
- 1 CONNECTED TO THE REAR SIDE OF SATELLITE PREP PLATE, CONNECTION LABELED 'TO SATELLITE RECEIVER OUTPUT.'

NOTES:

RCP-TV POWER CONTROLLER (IGNITION CONTROLLED SINGLE OUTLET ON LEFT SIDE)



VIEW GA

FOR ELECTRICAL TORQUE SPECIFICATIONS SEE DWG NO. 128783-01-000

FOR ELECTRICAL CALLOUTS SEE DWG NO. 121339-01-000

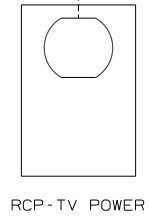
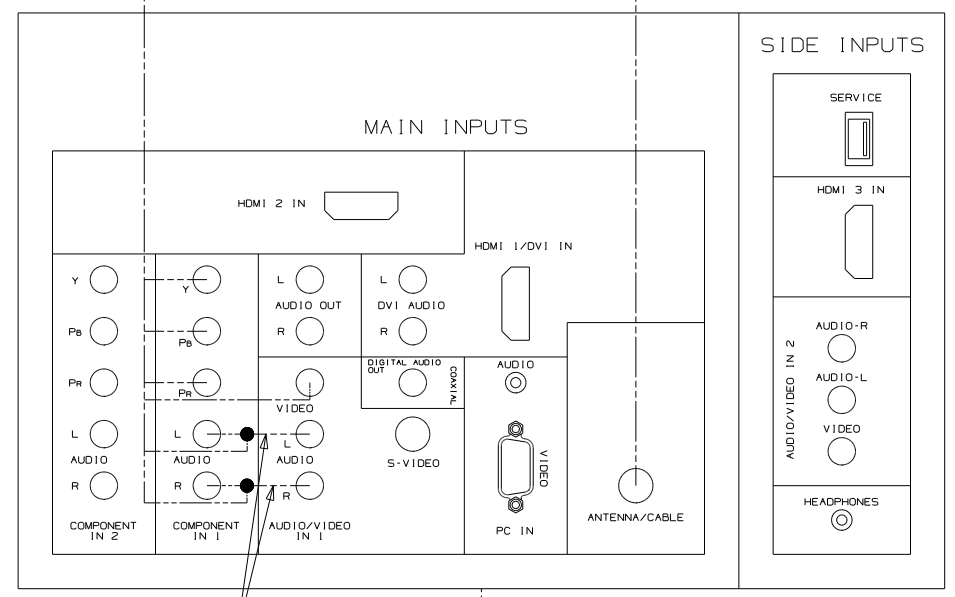
- (42K) TV-32" COLOR, STEREO W/REMOTE
- (78K) SATELLITE DISH-AUTOMATIC
- (48R) SAT SYS IN-MOTION W/O RCVR
- (44R) TV-37" COLOR, STEREO W/REMOTE
- (265) CODES/STANDARDS-CSA/CMVSS
- (1B1) CODES/STANDARDS USA

FIRST USED	
10 J-SERIES	
DO NOT SCALE DRAWING	
TITLE: WIRING INSTL-TV/DVD	
SHEET 7	PART NO 169917 REV

CABLE ASM-COAX (GRN/GRN/GRN) FROM WIRE ASM-COACH
TO SPLITTER SEE SHEET 5

TO SWITCH-COMPONENT HD SEE SHEET 5

CABLE-COMPOSITE/COMPONENT FROM WIRE ASM-ROOF & COACH



NOTES:
1 CABLE ROUTED IN ROOF

VIEW HA

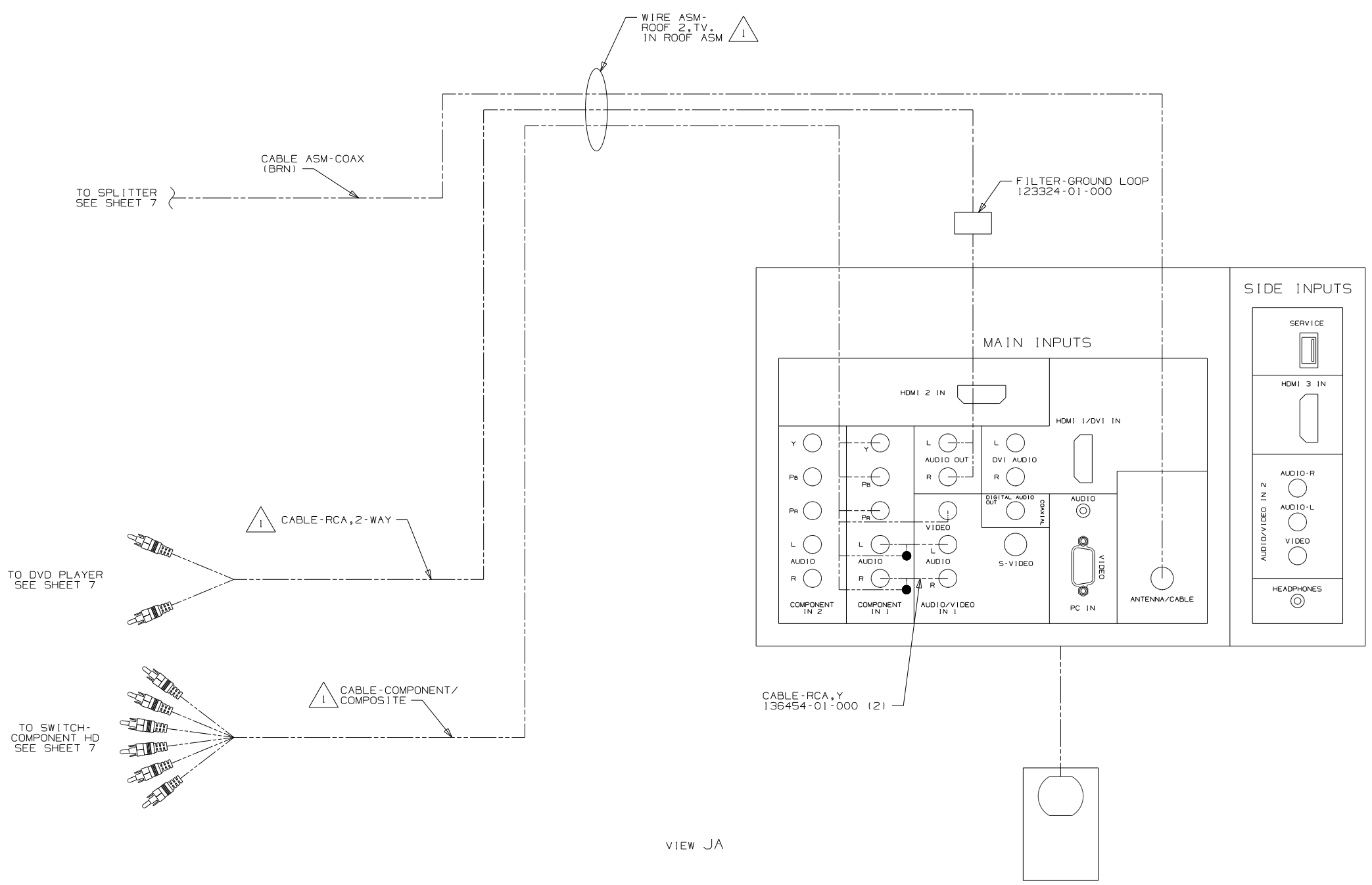
FOR ELECTRICAL TORQUE SPECIFICATIONS SEE DWG NO. 128783-01-000

FOR ELECTRICAL CALLOUTS SEE DWG NO. 121339-01-000

- 21W DINING/BUFFET/37" TV
- 68D TV-40" COLOR, STEREO W/REMOTE
- 265 CODES/STANDARDS-CSA/CMVSS
- 1B1 CODES/STANDARDS USA

1B1 265 68D 21W

FIRST USED	
10 J-SERIES	
DO NOT SCALE DRAWING	
TITLE: WIRING INSTL-TV/DVD	
SHEET 8	PART NO 169917 REV



VIEW JA

2 SEE SHEET 7 FOR ADDITIONAL INFORMATION.
 1 CABLE ROUTED IN ROOF

NOTES:

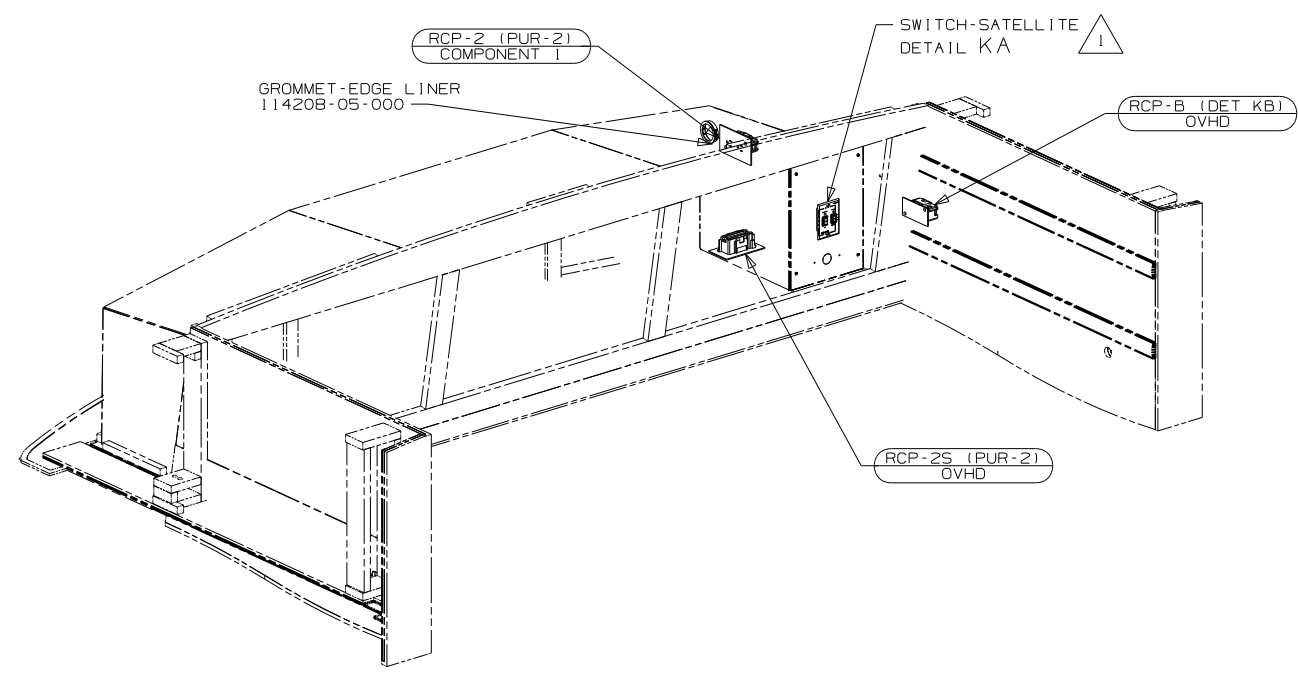
FOR ELECTRICAL TORQUE SPECIFICATIONS SEE DWG NO. 128783-01-000

X-X FOR ELECTRICAL CALLOUTS SEE DWG NO. 121339-01-000

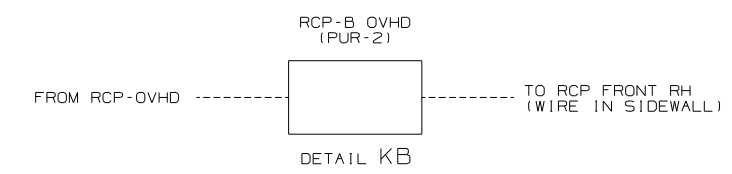
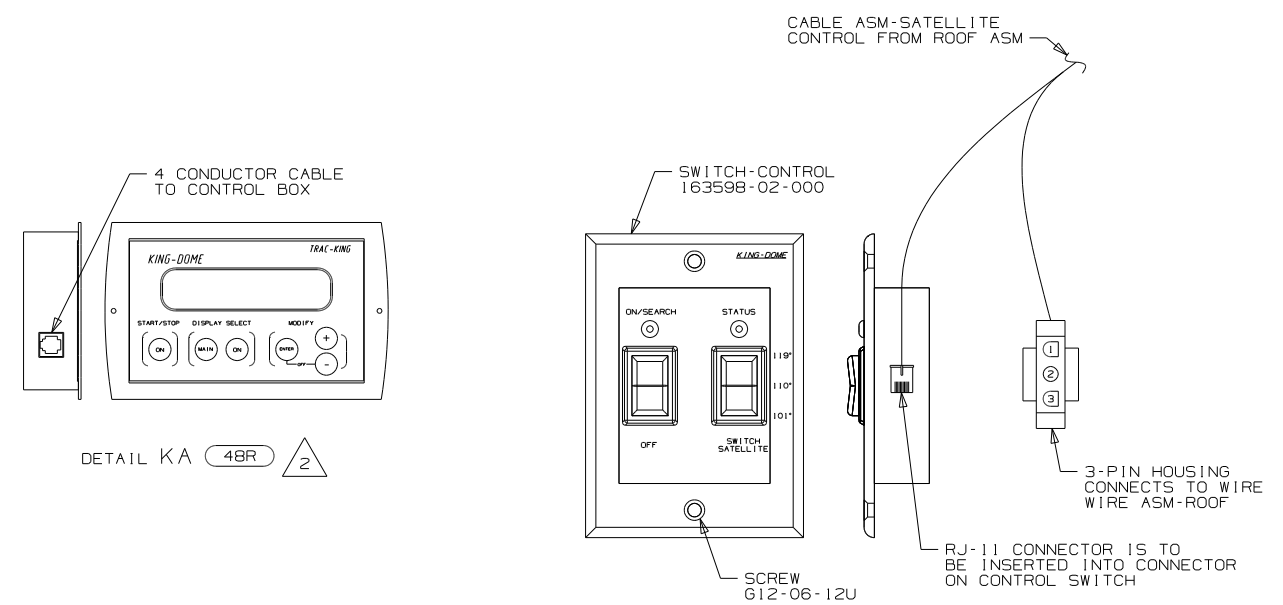
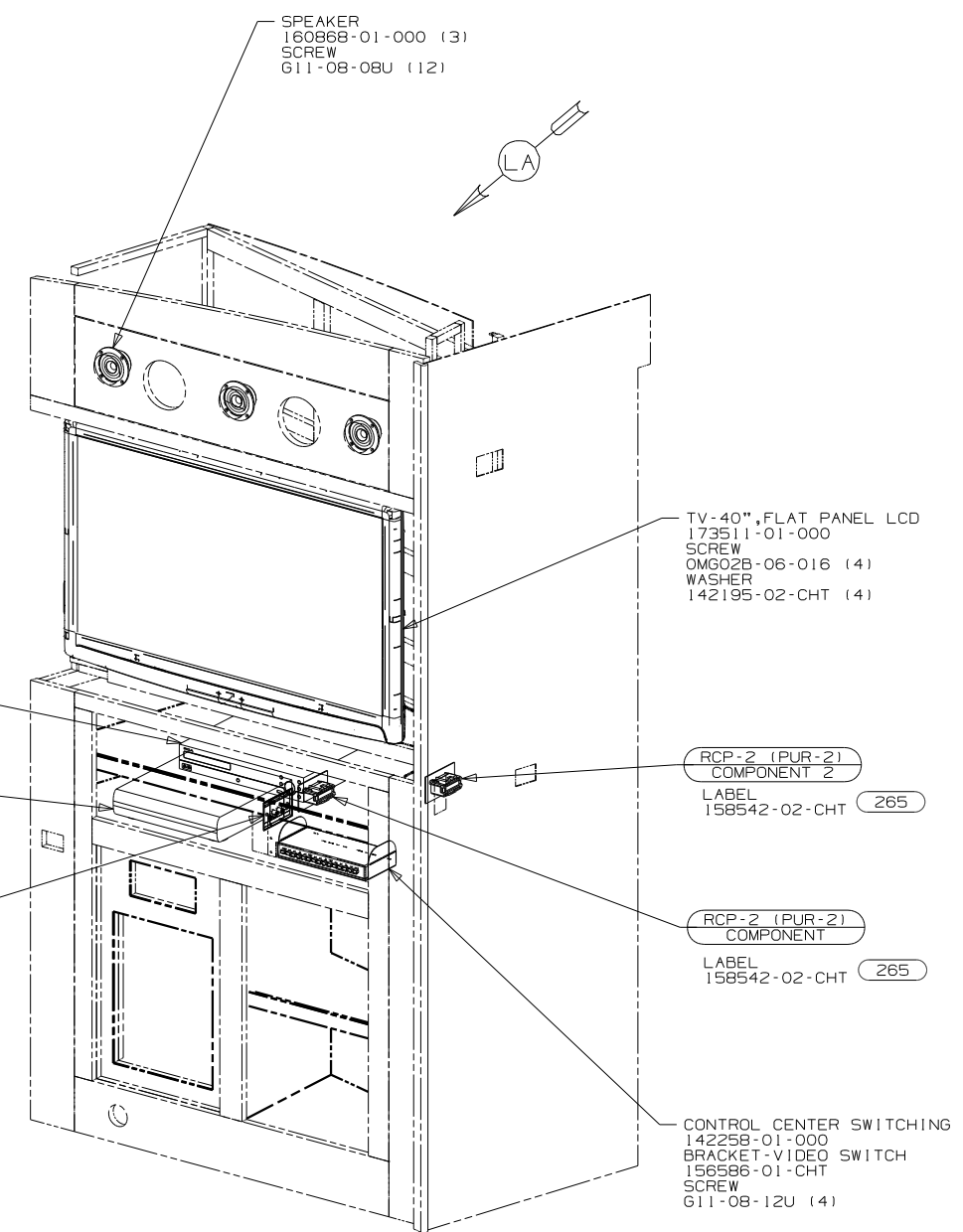
- 68D TV-40" COLOR, STEREO W/REMOTE
- 265 CODES/STANDARDS-CSA/CMVSS
- 1B1 CODES/STANDARDS USA

1B1 265 68D

FIRST USED	
10 J-SERIES	
DO NOT SCALE DRAWING	
TITLE: WIRING INSTL-TV/DVD	
SHEET 9	PART NO 169917 REV



HOME THEATER SYSTEM
 173514-02-000
 WIRE ASM-JUMPER,SPEAKER
 153349-01-000
 FASTENER-DUAL LOCK
 85774-01-000
 85774-02-000



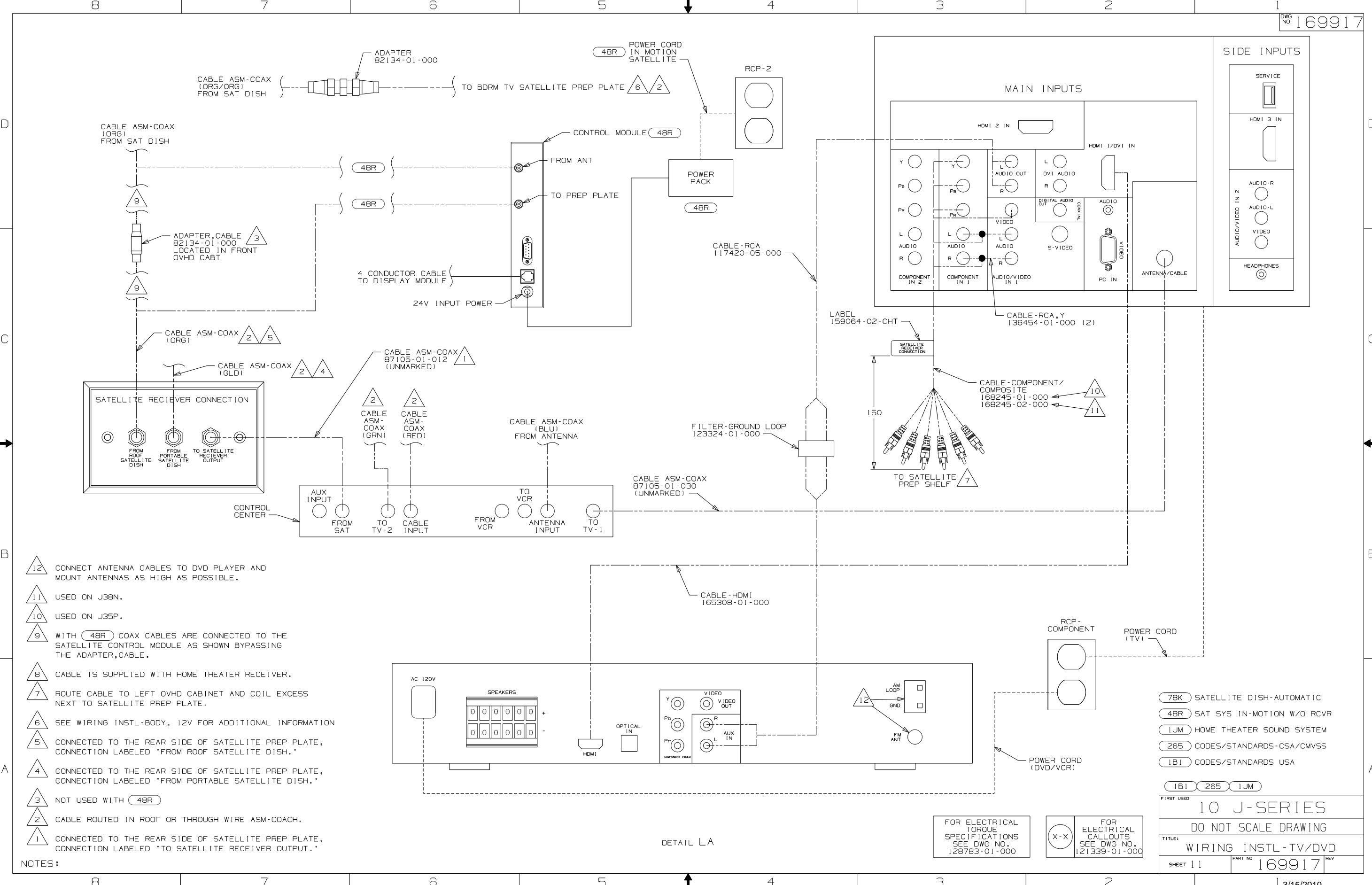
- (48R) SAT TV SYSTEM IN-MOTION
- (68D) TV-40" COLOR, STEREO W/REMOTE
- (78K) SATELLITE DISH-AUTOMATIC
- (79H) ENTERTAINMENT CTR-INTERIOR
- (265) CODES/STANDARDS-CSA/CMVSS
- (1B1) CODES/STANDARDS USA

NOTES:
 2 PARTS SUPPLIED WITH SATELLITE KIT 154474-02-000.
 1 SEE ROOF ASM FOR ADDITIONAL INFORMATION.

FOR ELECTRICAL TORQUE SPECIFICATIONS SEE DWG NO. 128783-01-000

X-X FOR ELECTRICAL CALLOUTS SEE DWG NO. 121339-01-000

FIRST USED	
10 J-SERIES	
DO NOT SCALE DRAWING	
TITLE: WIRING INSTL-TV/DVD	
SHEET 10	PART NO 169917 REV



- 12 CONNECT ANTENNA CABLES TO DVD PLAYER AND MOUNT ANTENNAS AS HIGH AS POSSIBLE.
- 11 USED ON J38N.
- 10 USED ON J35P.
- 9 WITH 48R COAX CABLES ARE CONNECTED TO THE SATELLITE CONTROL MODULE AS SHOWN BYPASSING THE ADAPTER, CABLE.
- 8 CABLE IS SUPPLIED WITH HOME THEATER RECEIVER.
- 7 ROUTE CABLE TO LEFT OVHD CABINET AND COIL EXCESS NEXT TO SATELLITE PREP PLATE.
- 6 SEE WIRING INSTL-BODY, 12V FOR ADDITIONAL INFORMATION
- 5 CONNECTED TO THE REAR SIDE OF SATELLITE PREP PLATE, CONNECTION LABELED 'FROM ROOF SATELLITE DISH.'
- 4 CONNECTED TO THE REAR SIDE OF SATELLITE PREP PLATE, CONNECTION LABELED 'FROM PORTABLE SATELLITE DISH.'
- 3 NOT USED WITH 48R
- 2 CABLE ROUTED IN ROOF OR THROUGH WIRE ASM-COACH.
- 1 CONNECTED TO THE REAR SIDE OF SATELLITE PREP PLATE, CONNECTION LABELED 'TO SATELLITE RECEIVER OUTPUT.'

NOTES:

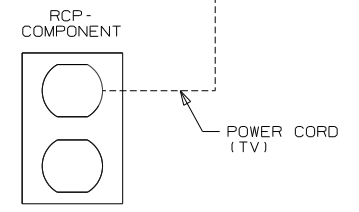
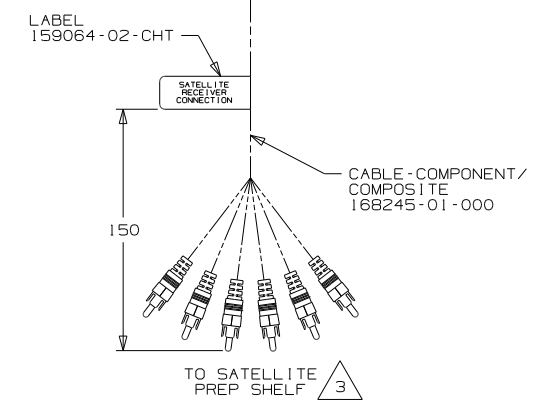
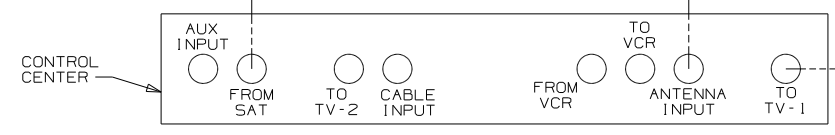
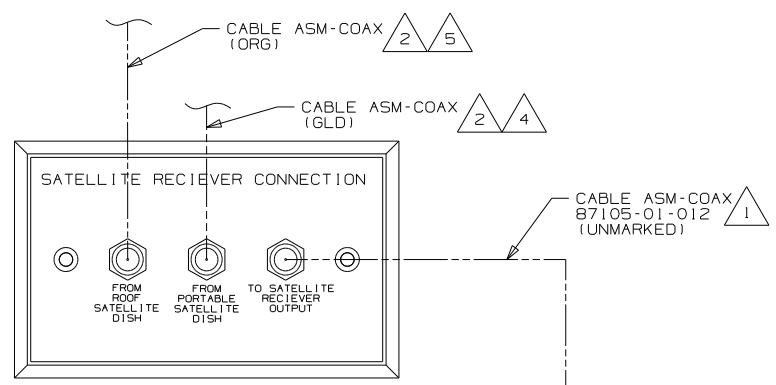
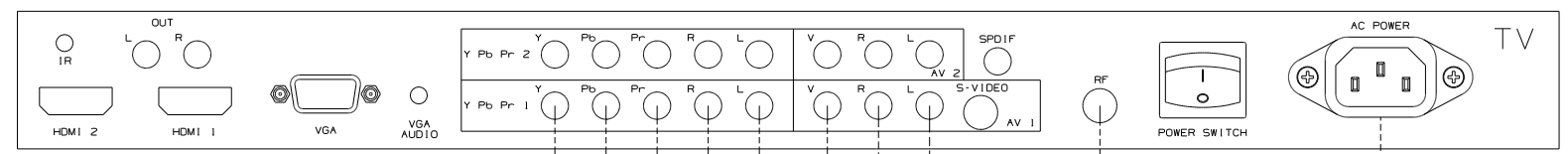
DETAIL LA

FOR ELECTRICAL TORQUE SPECIFICATIONS SEE DWG NO. 128783-01-000

FOR ELECTRICAL CALLOUTS SEE DWG NO. 121339-01-000

- 78K SATELLITE DISH-AUTOMATIC
- 48R SAT SYS IN-MOTION W/O RCVR
- 1JM HOME THEATER SOUND SYSTEM
- 265 CODES/STANDARDS-CSA/CMVSS
- 1B1 CODES/STANDARDS USA

FIRST USED	10 J-SERIES
TITLE:	DO NOT SCALE DRAWING
SHEET 11	WIRING INSTL-TV/DVD
PART NO	169917
REV	



- 5 CONNECTED TO THE REAR SIDE OF SATELLITE PREP PLATE, CONNECTION LABELED 'FROM ROOF SATELLITE DISH.'
- 4 CONNECTED TO THE REAR SIDE OF SATELLITE PREP PLATE, CONNECTION LABELED 'FROM PORTABLE SATELLITE DISH.'
- 3 ROUTE CABLE TO LEFT OVHD CABINET AND COIL EXCESS NEXT TO SATELLITE PREP PLATE.
- 2 CABLE ROUTED IN ROOF OR THROUGH WIRE ASM-COACH.
- 1 CONNECTED TO THE REAR SIDE OF SATELLITE PREP PLATE, CONNECTION LABELED 'TO SATELLITE RECEIVER OUTPUT.'

NOTES:

DETAIL MA

FOR ELECTRICAL TORQUE SPECIFICATIONS SEE DWG NO. 128783-01-000

FOR ELECTRICAL CALLOUTS SEE DWG NO. 121339-01-000

265 CODES/STANDARDS - CSA/CMVSS

1B1 CODES/STANDARDS USA

1B1 265

FIRST USED	
10 J-SERIES	
DO NOT SCALE DRAWING	
TITLE: WIRING INSTL - TV/DVD	
SHEET 12	PART NO 169917 REV

TERMINALS

SPLICES

NO.	PART NUMBER	DESCRIPTION
B-1	50003-01	TERMINAL-PIN, 16-14 GA, .156 DIA
B-2	50004-01	TERMINAL-RECP, 16-14 GA, .156 DIA
B-11	50003-02	TERMINAL-PIN, 16-14 GA, .180 DIA
B-12	50004-02	TERMINAL-RECP, 16-14 GA, .180 DIA
WP-1	106950-01	TERMINAL-PIN, 16-14 GA
WP-2	106950-02	TERMINAL-PIN, 10-12 GA
WP-3	106950-03	TERMINAL-PIN, 8 GA
R-1	35416-01	TERMINAL-RING, #10 STD, 8 GA
R-2	35416-02	TERMINAL-RING, #10 STD, 6 GA
R-3	35416-03	TERMINAL-RING, #10 STD, 10-12 GA
R-4	35416-04	TERMINAL-RING, #10 STD, 14-16 GA
R-5	37018-01	TERMINAL-RING, 5/16 STD, 12-10 GA
R-6	102777-01	TERMINAL-RING, #6 STD, 14-16 GA
R-7	102777-02	TERMINAL-RING, #6 STD, 10-12 GA
R-8	102777-03	TERMINAL-RING, #6 STD, 8 GA
R-9	33787-01	TERMINAL-RING, #10 STD, 14 GA
R-60	8325-01	TERMINAL-RING, 1/4 STD, 14-16 GA
R-61	8326-01	TERMINAL-RING, 3/8 STD, 14-16 GA
R-62	8327-01	TERMINAL-RING, #10 STD, 14-16 GA
R-63	8328-01	TERMINAL-RING, #10 STD, 10-12 GA
R-64	8328-02	TERMINAL-RING, 3/8 STD, 10-12 GA
R-65	8329-01	TERMINAL-RING, 3/8 STD, 8 GA
R-66	8331-01	TERMINAL-RING, 3/8 STD, 4 GA
R-67	8332-01	TERMINAL-RING, 1/4 STD, 6 GA
R-68	8332-02	TERMINAL-RING, 1/4 STD, 10 GA
R-69	8350-01	TERMINAL-RING, 3/8 STD, 6 GA
R-70	99275-02	TERMINAL-RING, 7/16 STD, 8 GA
R-71	101397-01	TERMINAL-RING, #10 STD, 14-16 GA
R-91	88791-01	TERMINAL-RING, 3/8, 90°, 1/0 GA
R-92	88791-02	TERMINAL-RING, 3/8, 90°, 2 GA
R-93	8348-01	TERMINAL-RING, 3/8 STD, 2 GA
R-94	99275-01	TERMINAL-RING, 7/16 STD, 1/0 GA
RF-51	7944-01	TERMINAL-SPADE, 12-10 GA, #8 STUD
RF-52	7945-01	TERMINAL-SPADE, 18-14 GA, #8 STUD
TR-1	47443-01	TERMINAL-RECP, 16-14 GA, .25, INS
TR-2	47443-02	TERMINAL-RECP, 12-10 GA, .25, INS
TR-3	47443-05	TERMINAL-RECP, 22-18 GA, .25, INS
TR-11	47443-03	TERMINAL-RECP, 16-14 GA, .19, INS
TR-12	47443-04	TERMINAL-RECP, 16-14 GA, .11, INS
TR-21	80015-01	TERMINAL-RECP, 22-18 GA, .250, 90 DEG FOR USE WITH TAB THICKNESS .032
TR-22	80015-02	TERMINAL-RECP, 16-14 GA, .187, 90 DEG FOR USE WITH TAB THICKNESS .032
TR-23	80015-03	TERMINAL-RECP, 16-14 GA, .250, 90 DEG FOR USE WITH TAB THICKNESS .032
TR-24	80015-04	TERMINAL-RECP, 16-14 GA, .187, 90 DEG FOR USE WITH TAB THICKNESS .020
TR-51	7940-01	TERMINAL-RECP, 16-12 GA, .25, UNINS
TR-52	23809-01	TERMINAL-RECP, 16-14 GA, .19, UNINS
TR-53	23809-02	TERMINAL-RECP, 18-20 GA, .25, UNINS
TR-54	49270-01	TERMINAL-RECP, 18-20 GA, .19, UNINS
TR-55	7940-02	TERMINAL-RECP, 10 GA, .25, UNINS
TT-1	85745-02	TERMINAL-TAB, 16-14 GA, .25, INS
TT-2	85745-03	TERMINAL-TAB, 10-12 GA, .25, INS
TT-11	85745-04	TERMINAL-TAB, 18-22 GA, .19, INS
TT-51	7942-01	TERMINAL-TAB, 16-14 GA, .25, UNINS
TT-52	7943-01	TERMINAL-TAB, 14-10 GA, .25, UNINS
MF6-1	129236-01	TERMINAL-FEM, M/P, 630, 10-12
MF6-2	129236-02	TERMINAL-FEM, M/P, 630, 14-16

NO.	PART NUMBER	DESCRIPTION
BS-1	31876-01	SPLICE-BUTT, 16-14 GA, BLUE
BS-2	31876-02	SPLICE-BUTT, 12-10 GA, YELLOW
BS-3	31876-03	SPLICE-BUTT, 22-18 GA, RED
BS-SB	100070-01	SPLICE-BUTT, 14-16 GA, SHRINK, BLUE
BS-RB	112823-01	SPLICE-BUTT, 14-22 GA, REDUCER
BS-RS	173854-01	SPLICE-BUTT, 14-22 GA, REDUCER, SHRINK
S-1	7946-01	SPLICE, 1-6 MM ²
S-2	23808-01	SPLICE, 6-9 MM ²
I-2	7956-02	SHRINK WRAP .375 DIA
I-5	7956-05	SHRINK WRAP .25 DIA
SH-1	58028-01	SPLICE-HAT
S-10	101173-01	SPLICE-BARREL, 26300 CMA

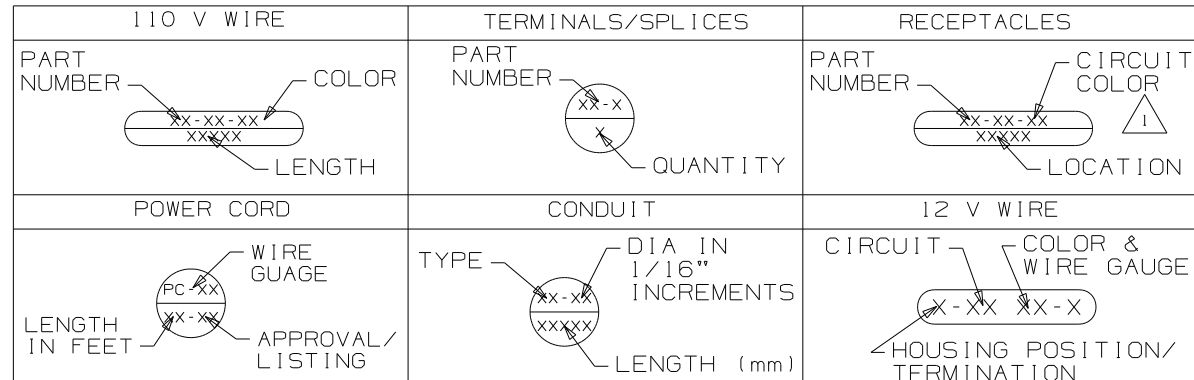
NO.	PART NUMBER	DESCRIPTION
SP-1	90986-02	PLUG ASM-ELECTRIC STEP
SP-2	142524-01-000 098261-01-000 098262-07-000 098261-02-000 (3) 098262-01-000 (3)	HOUSING-4 PIN SOCKET-CONNECTOR SEAL-CONNECTOR SOCKET-CONNECTOR SEAL-CONNECTOR
HR-1	63910-01	HOUSING-RELAY
MP-8	125323-02	HOUSING-PIN, 8 CAVITY
MP-10	125323-01	HOUSING-PIN, 10 CAVITY
MPP	125324-01	TERMINAL-MALE, M/P, 150
CAV-1	125325-01	SEAL-CAVITY, 150-SERIES M/P
CON-3	98262-03	SEAL-CONNECTOR
LS-8	125323-03	LOCK-SECONDARY 8 POSITION
LS-10	125323-04	LOCK-SECONDARY 10 POSITION
H-8	108355-01	HOUSING-SWITCH, 8 POSITION
H-12	108355-02	HOUSING-SWITCH, 12 POSITION

NO.	PART NUMBER	DESCRIPTION
GEN-1	125323-02-000 125324-01-000 (4) 098262-03-000 (4) 125325-01-000 (4) 125323-03-000	HOUSING-8 POSN, MALE, 150 SERIES TERMINAL-MALE, M/P, 150 SEAL-CONNECTOR SEAL-CAVITY, 150 SERIES M/P LOCK-SECONDARY 8 POSITION
GEN-2	125323-01-000 125324-01-000 (5) 098262-03-000 (5) 125325-01-000 (5) 125323-04-000	HOUSING-10 POSN, MALE, 150 SERIES TERMINAL-MALE, M/P, 150 SEAL-CONNECTOR SEAL-CAVITY, 150 SERIES M/P LOCK-SECONDARY 10 POSITION

HOUSINGS AND TERMINALS

NO.	PART NUMBER	DESCRIPTION
HS-2	88474-10	HOUSING-SOCKET, 2 CAVITY
HS-3	88474-09	HOUSING-SOCKET, 3 CAVITY
HS-4	88474-08	HOUSING-SOCKET, 4 CAVITY
HS-5	88474-07	HOUSING-SOCKET, 5 CAVITY
HS-6	88474-06	HOUSING-SOCKET, 6 CAVITY
HS-7	88474-05	HOUSING-SOCKET, 6 CAVITY-IN LINE
HS-9	88474-03	HOUSING-SOCKET, 9 CAVITY
HS-12	88474-01	HOUSING-SOCKET, 12 CAVITY
HS-15	88474-02	HOUSING-SOCKET, 15 CAVITY
HS-2-R	88474-12	HOUSING-SOCKET, 2 CAVITY-RED
HP-2	88473-10	HOUSING-PIN, 2 CAVITY
HP-3	88473-09	HOUSING-PIN, 3 CAVITY
HP-4	88473-08	HOUSING-PIN, 4 CAVITY
HP-5	88473-07	HOUSING-PIN, 5 CAVITY
HP-6	88473-06	HOUSING-PIN, 6 CAVITY
HP-7	88473-05	HOUSING-PIN, 6 CAVITY-IN LINE
HP-8	88473-04	HOUSING-PIN, 8 CAVITY-IN LINE
HP-9	88473-03	HOUSING-PIN, 9 CAVITY
HP-12	88473-01	HOUSING-PIN, 12 CAVITY
HP-15	88473-02	HOUSING-PIN, 15 CAVITY
HP-2-R	88473-15	HOUSING-PIN, 2 CAVITY-RED
HP-3-B	88473-12	HOUSING-PIN, 3 CAVITY-BLUE
HP-3-G	88473-13	HOUSING-PIN, 3 CAVITY-GREEN
HP-3-R	88473-14	HOUSING-PIN, 3 CAVITY-RED
TS-1	88476-01	SOCKET-CONNECTOR, 20-14 GA
TS-2	88476-02	SOCKET-CONNECTOR, 12-10 GA
TP-1	88475-01	PIN-CONNECTOR, 20-14 GA
TP-2	88475-02	PIN-CONNECTOR, 12-10 GA
HS2HA	137208-01	HOUSING-SOCKET, 2 CAVITY-HIGH AMP
HP2HA	137207-01	HOUSING-PIN, 2 CAVITY-HIGH AMP
TS-HA	137210-01	SOCKET-CONNECTOR, 10AWG HIGH AMP
TP-HA	137209-01	PIN-CONNECTOR, 10AWG HIGH AMP
H-HA	104100-01	HOUSING, 1 CAVITY 75 AMP
T-HA	104100-03	TERMINAL 10 AWG - 6 AWG 75 AMP

BALLOON CALLOUT LEGEND



WINNEBAGO INDUSTRIES, INC. COPYRIGHT 2010

DTR ORG DATE
 CHKR P.E. M.E. DSNR
 ALL DIMENSIONS ARE IN MILLIMETERS
 FIRST USED: 96 MH'S
 UNSPECIFIED TOLERANCES ARE: MATERIAL:
 WHOLE DIM (X) :
 ONE-PLACE (X.X) :
 TWO-PLACE (X.XX) :
 ANGLE :
 THIRD ANGLE PROJECTION

DO NOT SCALE DRAWING

TITLE: PART LISTING-ELECTRICAL
 SHEET 1 of 7 PART NO 121339 REV

NOTES: 1 FOR RECP-BLANK, DET-X DENOTES DETAIL VIEW. 2 CONTACT WIRE PREP PRIOR TO USING FOR TOOLING PURPOSES.

WIRE-SINGLE INS CONDUCTOR, STRANDED

WIRE-NM SHEATHED CABLE

CONDUIT

NO.	PART NUMBER	DESCRIPTION
18-W 18-Y	156658-01 156658-02	WIRE, 18 GA. WHITE, PVC WIRE, 18 GA. YELLOW, PVC
16-Y 16-W	89360-01 89360-02	WIRE, 16 GA. YELLOW, PVC WIRE, 16 GA. WHITE, PVC
14-Y 14-W	48554-02 48554-04	WIRE, 14 GA. YELLOW, PVC WIRE, 14 GA. WHITE, PVC
12-Y 12-W	48555-02 48555-04	WIRE, 12 GA. YELLOW, PVC WIRE, 12 GA. WHITE, PVC
10-Y 10-W	8000-03 8000-05	WIRE, 10 GA. YELLOW, PVC WIRE, 10 GA. WHITE, PVC
8-B 8-G	8005-01 8005-03	WIRE, 8 GA. BLACK, PVC WIRE, 8 GA. GREEN, PVC
6-B 6-G	70065-01 70065-03	WIRE, 6 GA. BLACK, PVC WIRE, 6 GA. GREEN, PVC
18-WX 18-YX	121015-01 121015-02	WIRE, 18 GA. WHITE, XLPE WIRE, 18 GA. YELLOW, XLPE
16-YX 16-WX	116675-01 116675-02	WIRE, 16 GA. YELLOW, XLPE WIRE, 16 GA. WHITE, XLPE
14-YX 14-WX	98586-01 98586-02	WIRE, 14 GA. YELLOW, XLPE WIRE, 14 GA. WHITE, XLPE
12-YX 12-WX	98609-01 98609-02	WIRE, 12 GA. YELLOW, XLPE WIRE, 12 GA. WHITE, XLPE
10-YX 10-WX	116676-03 116676-04	WIRE, 10 GA. YELLOW, XLPE WIRE, 10 GA. WHITE, XLPE
8-BX 8-GX	116674-01 116674-02	WIRE, 8 GA. BLACK, XLPE WIRE, 8 GA. GREEN, XLPE
6-BX 6-GX	116687-01 116687-02	WIRE, 6 GA. BLACK, XLPE WIRE, 6 GA. GREEN, XLPE

NO.	PART NUMBER	DESCRIPTION
14 UL	8027-01-000	WIRE 14-2 ROMEX W/GROUND (UL)
14 CA	8023-02-000	WIRE 14-2 ROMEX W/GROUND (CAN)
12 UL	8026-01-000	WIRE 12-2 ROMEX W/GROUND (UL)
12 CA	8023-01-000	WIRE 12-2 ROMEX W/GROUND (CAN)
12-3 UL	8026-03-000	WIRE 12-3 ROMEX W/GROUND (UL)
12-3 CA	8023-03-000	WIRE 12-3 ROMEX W/GROUND (CAN)
10 UL	8022-01-000	WIRE 10-2 ROMEX W/GROUND (UL)
10 CA	24743-01-000	WIRE 10-2 ROMEX W/GROUND (CAN)
6-3 UL	108914-01-000	WIRE 6-3 ROMEX W/GROUND (UL)
6-3 CA	113136-01-000	WIRE 6-3 ROMEX W/GROUND (CAN)
6-2 UL	108914-02-000	WIRE 6-2 ROMEX W/GROUND (UL)
4-3 UL	128375-01-000	WIRE 4-3 ROMEX W/GROUND (UL)
4-3 CA	128375-01-000	WIRE 4-3 ROMEX W/GROUND (CAN)

NO.	PART NUMBER	DESCRIPTION	TEMP.
C-4	41953-07-000	CONDUIT-CONVOLUTE, SLIT .25" ID	194° F
C-6	41953-06-000	CONDUIT-CONVOLUTE, SLIT .38" ID	194° F
C-8	41953-01-000	CONDUIT-CONVOLUTE, SLIT .50" ID	194° F
C-10	41953-02-000	CONDUIT-CONVOLUTE, SLIT .63" ID	194° F
C-16	41953-03-000	CONDUIT-CONVOLUTE, SLIT 1.0" ID	194° F
C-24	41953-08-000	CONDUIT-CONVOLUTE, SLIT 1.5" ID	194° F
C-32	41953-15-000	CONDUIT-CONVOLUTE, SLIT 2.0" ID	194° F
CX-8	41953-09-000	CONDUIT-CONVOLUTE, SLIT .50" ID	239° F
CX-12	41953-10-000	CONDUIT-CONVOLUTE, SLIT .75" ID	239° F
CX-16	41953-11-000	CONDUIT-CONVOLUTE, SLIT 1.0" ID	239° F
CX-20	41953-13-000	CONDUIT-CONVOLUTE, SLIT 1.25" ID	239° F
CX-24	41953-14-000	CONDUIT-CONVOLUTE, SLIT 1.50" ID	239° F
CX-32	41953-16-000	CONDUIT-CONVOLUTE, SLIT 2.0" ID	239° F
CN-10	41953-05-000	CONDUIT-CONVOLUTE, NOT SLIT .63" ID	194° F
CN-16	41953-12-000	CONDUIT-CONVOLUTE, NOT SLIT 1.0" ID	194° F

POWER CORDS

NO.	PART NUMBER	DESCRIPTION
PC-10 28	8054-01-000	POWER CORD 10 GA, 30 AMP, 28 FT. (UL/CA)
PC-10 36	8054-02-000	POWER CORD 10 GA, 30 AMP, 36 FT. (UL/CA)
PC-10 30-CA	8052-01-000	SUPERCEDED BY 8054-01-000
PC-6 36	108934-01-000	POWER CORD 6 GA, 50 AMP, 36 FT. (UL/CA)
PC-6 36-FX	108934-02-000	POWER CORD 6 GA, 50 AMP, 36 FT. (UL/CSA) SUPERFLEX
PC-6 36-CA	113096-01-000	SUPERCEDED BY 108934-02-000

BATTERY CABLE LEGEND

COLOR	DESCRIPTION
PURPLE	CHASSIS BATTERY TO SOLENOID
BLUE	HYDRAULIC JACKS PUMP
RED	BATTERY TO STARTER
GREEN	BATTERY TO GENERATOR
YELLOW	COACH BATTERY TO SOLENOID

RECEPTACLES

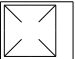
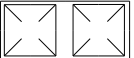

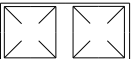

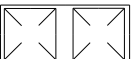

NO.	PART NUMBER	DESCRIPTION
RCP-1	176149-02-CHT 176159-01-CHT	RECEPTACLE-SINGLE, FLUSH MOUNT PLATE-COVER, 1 GANG, SNAP IN
RCP-2	176149-01-CHT 176159-01-CHT	RECEPTACLE-DOUBLE, FLUSH MOUNT PLATE-COVER, 1 GANG, SNAP IN
RCP-3	176156-01-CHT	RECEPTACLE-SINGLE, SURFACE MOUNT
RCP-4	157360-01-CHT	RECEPTACLE-SINGLE, SURFACE MOUNT, 20A
RCP-5	176144-01-CHT 176159-01-CHT	RECEPTACLE-SINGLE, FLUSH MOUNT, 20A PLATE-COVER, 1 GANG, SNAP IN
RCP-B	176158-01-CHT	RECEPTACLE-BLANK, JUNCTION
RCP-E	131826-01-CHT	RCP-EXTERIOR INCLUDES COVER, GASKET
SW-1	176157-01-CHT 176159-01-CHT 083588-02-000	SWITCH-15A, SINGLE POLE PLATE-COVER, 1 GANG, SNAP IN LABEL-ON/OFF, ENGINE HEATER
RCP-2S	176149-01-CHT 176568-01-CHT	RECEPTACLE-DOUBLE, FLUSH MOUNT PLATE-COVER, 1 GANG, SCREW

CIRCUIT COLOR LEGEND







110V CIRCUIT	WIRE COLOR	COAXIAL CIRCUIT
A/C CIRCUIT 1	RED	CABLE INPUT W/O SPLITTER
A/C CIRCUIT 2	GRN	REAR TV W/O SPLITTER
GENERAL RECPS 1	BLU	ANTENNA
GENERAL RECPS 2	BRN	FRONT TV
GENERAL RECPS 3	PUR	VCR INPUT
GENERAL RECPS 4	GRY	
REFRIGERATOR/ CONVERTER	YEL	EXT ENT CTR
MICROWAVE	BLK	AUX INPUT
WATER HEATER	WHT	
WASHER/DRYER	GLD	
DISHWASHER	SIL	
	ORG	SATELLITE PLATE INPUT
	ORG/ORG	SATELLITE PLATE OUTPUT
	RED/RED	CABLE INPUT W/SPLITTER
	GRN/GRN	REAR TV W/SPLITTER
	PUR/PUR	VCR OUTPUT

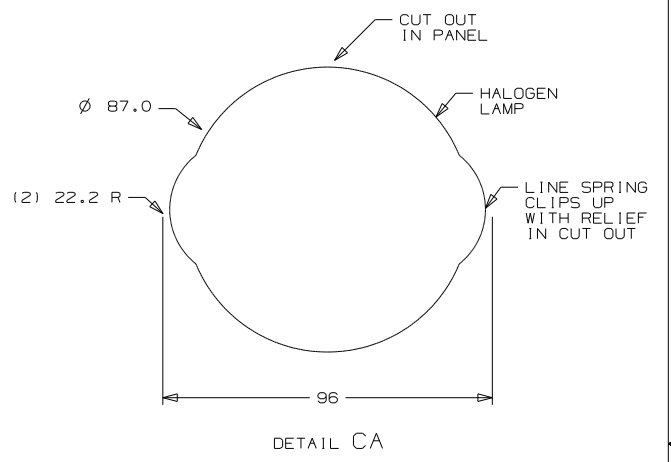
FIRST USED	96 MH'S
DO NOT SCALE DRAWING	
TITLE	PART LISTING-ELECTRICAL
SHEET 2	PART NO 121339 REV

LAMP ASM-PACKAGE, PANCAKE

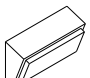


NO	PART NUMBER	DESCRIPTION
LF1-1	LAMP 98024-01-CHT SCREW G11-08-16U (4) CONNECTOR 58028-01-000 (2)	LAMP ASM, FROSTED LENS, 1 BULB W/SWITCH PROGRESSIVE DYNAMICS INC. 
LF2-1	LAMP 98024-03-CHT SCREW G11-08-16U (6) CONNECTOR 58028-01-000 (2)	LAMP ASM, FROSTED LENS, 2 BULB W/SWITCH PROGRESSIVE DYNAMICS INC. 
LO1-1	LAMP 98024-05-CHT SCREW G11-08-16U (4) CONNECTOR 58028-01-000 (2)	LAMP ASM, OPTI CLEAR LENS, 1 BULB W/SWITCH PROGRESSIVE DYNAMICS INC. 
LO2-1	LAMP 98024-06-CHT SCREW G11-08-16U (6) CONNECTOR 58028-01-000 (2)	LAMP ASM, OPTI CLEAR LENS, 2 BULB W/SWITCH PROGRESSIVE DYNAMICS INC. 
LF1N1	LAMP 98024-07-CHT SCREW G11-08-16U (4) CONNECTOR 58028-01-000 (2)	LAMP ASM, FROSTED LENS, 1 BULB W/O SWITCH PROGRESSIVE DYNAMICS INC. 
LF2N1	LAMP 98024-08-CHT SCREW G11-08-16U (6) CONNECTOR 58028-01-000 (2)	LAMP ASM, FROSTED LENS, 2 BULB W/O SWITCH PROGRESSIVE DYNAMICS INC. 
LFSN1	LAMP 98024-09-CHT SCREW G11-08-16U (6) CONNECTOR 58028-01-000 (2)	LAMP ASM, SINGLE FROSTED LENS, 2 BULB W/O SWITCH PROGRESSIVE DYNAMICS INC. 

LAMP ASM-PACKAGE, PANCAKE

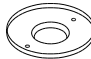


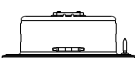
NO	PART NUMBER	DESCRIPTION
LF1-2	LAMP 137417-01-CHT SCREW G11-08-16U (4) CONNECTOR 58028-01-000 (2)	LAMP ASM, FROSTED LENS, 1 BULB W/SWITCH PROGRESSIVE DYNAMICS INC. 
LF2-2	LAMP 137417-04-CHT SCREW G11-08-16U (6) CONNECTOR 58028-01-000 (2)	LAMP ASM, FROSTED LENS, 2 BULB W/SWITCH PROGRESSIVE DYNAMICS INC. 
LO1-2	LAMP 137417-02-CHT SCREW G11-08-16U (4) CONNECTOR 58028-01-000 (2)	LAMP ASM, OPTI CLEAR LENS, 1 BULB W/SWITCH PROGRESSIVE DYNAMICS INC. 
LO2-2	LAMP 137417-05-CHT SCREW G11-08-16U (6) CONNECTOR 58028-01-000 (2)	LAMP ASM, OPTI CLEAR LENS, 2 BULB W/SWITCH PROGRESSIVE DYNAMICS INC. 
LF1N2	LAMP 137417-03-CHT SCREW G11-08-16U (4) CONNECTOR 58028-01-000 (2)	LAMP ASM, FROSTED LENS, 1 BULB W/O SWITCH PROGRESSIVE DYNAMICS INC. 
LFSN2	LAMP 137417-06-CHT SCREW G11-08-16U (6) CONNECTOR 58028-01-000 (2)	LAMP ASM, SINGLE FROSTED LENS, 2 BULB W/O SWITCH PROGRESSIVE DYNAMICS INC. 

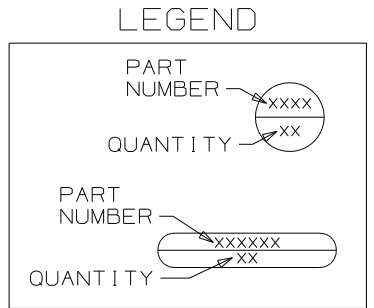


LAMP ASM-PACKAGE, PORCH

NO	PART NUMBER	DESCRIPTION
LEXT-1	LAMP 97917-01-CHT SCREW G67-10-129 (4) CONNECTOR 58028-01-000 (2)	LAMP ASM-PORCH, SURFACE MOUNT BARGMAN 
LEXT-2UL	LAMP 8089-01-000 SCREW G68-06-10E (2) CONNECTOR 58028-01-000 (2)	LAMP ASM-PORCH, RECESSED UL LIST JRV PROD 
LEXT-2CA	LAMP 8089-02-000 SCREW G68-06-10E (2) CONNECTOR 58028-01-000 (2)	LAMP ASM-PORCH, RECESSED CAN LIST JRV PROD 
LEXT-3	LAMP 171513-01-CHT SCREW G67-10-129 (2) CONNECTOR 58028-01-000 (2)	LAMP ASM-PORCH SURFACE MOUNT OPTRONICS

LAMP ASM-PACKAGE, HALOGEN

NO	PART NUMBER	DESCRIPTION
HAL	LAMP 123775-01-CHT SCREW (SUPPLIED) CONNECTOR 58028-01-000 (2)	LAMP ASM-HALOGEN, READING 1 BULB 
HAL-S	LAMP 123775-01-CHT SPACER 123775-02-CHT SCREW G13-06-16U (3) CONNECTOR 58028-01-000 (2)	LAMP ASM-HALOGEN, READING WITH 3/4" SPACER 1 BULB 
HAL-2	LIGHT-HAL, ROUND 165170-01-CHT SCREW G13-06-12B (2) CONNECTOR 58028-01-000 (2)	LIGHT-HALOGEN, ROUND 3" 
HAL-4	LIGHT-HAL, ROUND 165643-01-CHT SCREW G13-05-16B (3) CONNECTOR 58028-01-000 (2) (SEE DETAIL CA)	LIGHT-HALOGEN, ROUND 4.5" 



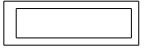
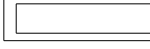

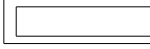
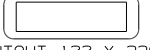

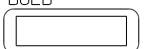

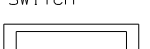
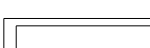

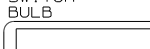
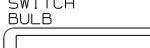

FIRST USED	96 MH'S
TITLE	DO NOT SCALE DRAWING
SHEET 3	PART NO 121339 REV

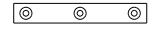

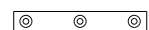
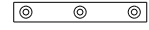
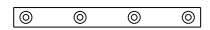

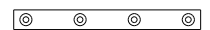

LAMP ASM-PACKAGE, FLUORESCENT





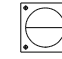


LAMP ASM-PACKAGE, MAKEUP LAMP









LAMP ASM-PACKAGE, OTHER

LAMP ASM-PACKAGE, PANCAKE

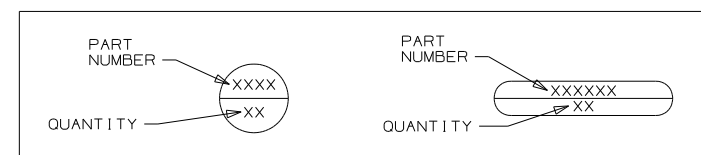
NO	PART NUMBER	DESCRIPTION
FLU-1	LAMP 91936-02-CHT SCREW G11-08-12U (4) CONNECTOR 58028-01-000 (2)	LAMP ASM-FLUORESCENT 12" 2 BULB W/SWITCH THIN-LITE 
FLU-2	LAMP 91936-01-CHT SCREW G11-08-12U (4) CONNECTOR 58028-01-000 (2)	LAMP ASM-FLUORESCENT 18" 2 BULB W/SWITCH THIN-LITE 
FLU-3	LAMP 127327-01-CHT SCREW G11-08-12U (2) CONNECTOR 58028-01-000 (2)	LAMP ASM-FLUORESCENT 18" 1-12" BULB W/SWITCH THIN-LITE 
FLU-4	LAMP 130338-01-CHT SCREW G11-08-12U (4) CONNECTOR 58028-01-000 (2)	LAMP ASM-FLUORESCENT 18" 2 BULB SURFACE MOUNT W/SWITCH THIN-LITE 
FLU-5	LAMP 153464-02-CHT SCREW G11-08-12U (4) CONNECTOR 58028-01-000 (2)	LAMP ASM-FLUORESCENT 12" 2 BULB W/SWITCH COOL WHITE BULB THIN-LITE  CUTOUT-122 X 336
FLU-6	LAMP 130338-02-CHT SCREW G11-08-12U (4) CONNECTOR 58028-01-000 (2)	LAMP ASM-FLUORESCENT 18" 2 BULB SURFACE MOUNT WARM WHITE BULB W/SWITCH THIN-LITE 
FLU-7	LAMP 153464-05-CHT SCREW G11-08-12U (4) CONNECTOR 58028-01-000 (2)	LAMP ASM-FLUORESCENT 12" 2 BULB W/SWITCH WARM WHITE BULB THIN-LITE  CUTOUT-122 X 336
FLU-8	LAMP 173072-01-CHT SCREW G11-08-12U (2) CONNECTOR 58028-01-000 (2)	LAMP ASM-FLUORESCENT 18" ONE 8 WATT BULB W/SWITCH OPTRONICS 
FLUN1	LAMP 91936-04-CHT SCREW G11-08-12U (4) CONNECTOR 58028-01-000 (2)	LAMP ASM-FLUORESCENT 12" 2 BULB W/O SWITCH THIN-LITE 
FLUN2	LAMP 91936-03-CHT SCREW G11-08-12U (4) CONNECTOR 58028-01-000 (2)	LAMP ASM-FLUORESCENT 18" 2 BULB W/O SWITCH THIN-LITE 
FLUN3	LAMP 153464-01-CHT SCREW G11-08-12U (4) CONNECTOR 58028-01-000 (2)	LAMP ASM-FLUORESCENT 12" 2 BULB W/O SWITCH COOL WHITE BULB THIN-LITE  CUTOUT-122 X 336
FLUN4	LAMP 153464-03-CHT SCREW G11-08-12U (6) CONNECTOR 58028-01-000 (2)	LAMP ASM-FLUORESCENT 18" 2 BULB W/O SWITCH COOL WHITE BULB THIN-LITE  CUTOUT-122 X 480
FLUN5	LAMP 153464-06-CHT SCREW G11-08-12U (6) CONNECTOR 58028-01-000 (2)	LAMP ASM-FLUORESCENT 18" 2 BULB W/O SWITCH WARM WHITE BULB THIN-LITE  CUTOUT-122 X 480
FLUN6	LAMP 153464-04-CHT SCREW G11-08-12U (6) CONNECTOR 58028-01-000 (2)	LAMP ASM-FLUORESCENT 12" 2 BULB W/O SWITCH WARM WHITE BULB THIN-LITE  CUTOUT-122 X 336

NO	PART NUMBER	DESCRIPTION
LMU3-1	LAMP 110235-01-CHT SCREW W/SPACER (SUPPLIED) CONNECTOR 58028-01-000 (2)	LAMP ASM-MAKEUP (W/O MIRROR) 3 BULB (SUPPLIED) PROGRESSIVE DYNAMICS 
LMM3-2	LAMP 123774-03-CHT SCREW (SUPPLIED) BULB 123918-01-000 (3) CONNECTOR 58028-01-000 (2)	LAMP ASM-MAKEUP (W/MIRROR) 3 BULB GUSTOFSON 
LMU3-2	LAMP 138116-01-CHT SCREW (SUPPLIED) BULB 123918-01-000 (3) CONNECTOR 58028-01-000 (2)	LAMP ASM-MAKEUP (W/O MIRROR) 3 BULB GUSTOFSON 
LMU3-3	LAMP 162446-01-CHT SCREW (SUPPLIED) BULB 123918-01-000 (3) CONNECTOR 58028-01-000 (2)	LAMP ASM-MAKEUP (W/O MIRROR) 3 BULB GUSTOFSON 
LMU4-1	LAMP 110235-02-CHT SCREW G11-08-16U (2) CONNECTOR 58028-01-000 (2)	LAMP ASM-MAKEUP (W/O MIRROR) 4 BULB PROGRESSIVE DYNAMICS 
LMU4-2	LAMP 138116-02-CHT SCREW (SUPPLIED) BULB 123918-01-000 (4) CONNECTOR 58028-01-000 (2)	LAMP ASM-MAKEUP (W/O MIRROR) 4 BULB GUSTOFSON 
LMU4-3	LAMP 162446-02-CHT SCREW (SUPPLIED) BULB 123918-01-000 (4) CONNECTOR 58028-01-000 (2)	LAMP ASM-MAKEUP (W/O MIRROR) 4 BULB GUSTOFSON 
LMM4-2	LAMP 123774-01-CHT SCREW G11-08-16U (2) BULB 123918-01-000 (4) CONNECTOR 58028-01-000 (2)	LAMP ASM-MAKEUP (W/MIRROR) 4 BULB GUSTOFSON 

NO	PART NUMBER	DESCRIPTION
LSH-1	LAMP 121935-01-CHT SCREW G11-08-16U (4) CONNECTOR 58028-01-000 (2)	LAMP ASM-SHOWER PROGRESSIVE DYNAMICS INC. 
LSH-2	LAMP 164039-01-CHT SCREW G11-08-16U (3) CONNECTOR 58028-01-000 (2)	LIGHT-DOME, SHOWER 
LSH-3	LAMP 164040-01-CHT SCREW G13-07-12U (3) CONNECTOR 58028-01-000 (2)	LIGHT-DOME, SHOWER GLASS 
LCR-1	LAMP 61424-01-000 SCREW G11-08-12U (4) CONNECTOR 58028-01-000 (2)	LAMP ASM-COURTESY, AISLE RAMCO (RECTANGULAR) 
LCS-1	LAMP 108354-01-CHT SCREW G11-08-12U (4) CONNECTOR 58028-01-000 (2)	LAMP ASM-COURTESY, AISLE ITC MARINE (SQUARE) 
READ-1	LIGHT-READING 132427-01-CHT SCREW SUPPLIED W/ LIGHT CLIP-U 141395-02-CHT (2) CONNECTOR 58028-01-000 (2)	LIGHT-READING, SWIVEL, ROUND 1 BULB 
READ-2	LIGHT-READING 128786-02-CHT SCREW G11-08-16J (2) BULB 123917-01-000 CONNECTOR 58028-01-000 (2)	LIGHT, READING, SWIVEL 
READ-3	LIGHT-READING 170833-01-CHT SCREW SUPPLIED W/LIGHT CONNECTOR 58028-01-000 (2)	LIGHT, READING, HAL
READ-4	LIGHT-READING, LED, FLEX 174060-01-CHT SCREW SUPPLIED W/LIGHT CONNECTOR 58028-01-000 (2)	LIGHT, READING, LED, FLEX
READ-5	LIGHT-READING, LED, SWIVEL 174815-01-CHT SCREW SUPPLIED W/LIGHT CONNECTOR 58028-01-000 (2)	LIGHT, READING, LED SWIVEL .05 A

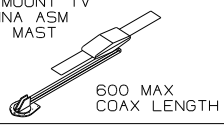
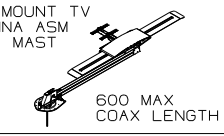
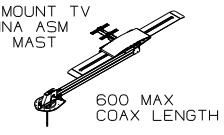
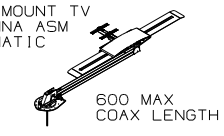
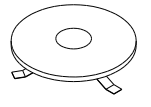
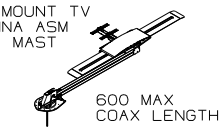
NO	PART NUMBER	DESCRIPTION
LF1-3	LAMP 170693-01-CHT SCREW G11-08-16U (4) CONNECTOR 58028-01-000 (2)	LAMP ASM, FROSTED LENS, 1 BULB W/SWITCH GUSTAFSON 
LF2-3	LAMP 170693-04-CHT SCREW G11-08-24U (4) CONNECTOR 58028-01-000 (2)	LAMP ASM, FROSTED LENS, 2 BULB W/SWITCH GUSTAFSON 
LO1-3	LAMP 170693-02-CHT SCREW G11-08-16U (4) CONNECTOR 58028-01-000 (2)	LAMP ASM, OPTI CLEAR LENS, 1 BULB W/SWITCH GUSTAFSON 
LO2-3	LAMP 170693-05-CHT SCREW G11-08-24U (4) CONNECTOR 58028-01-000 (2)	LAMP ASM, OPTI CLEAR LENS, 2 BULB W/SWITCH GUSTAFSON 
LF1N3	LAMP 170693-03-CHT SCREW G11-08-16U (4) CONNECTOR 58028-01-000 (2)	LAMP ASM, FROSTED LENS, 1 BULB W/O SWITCH GUSTAFSON 
LFSN3	LAMP 170693-06-CHT SCREW G11-08-24U (4) CONNECTOR 58028-01-000 (2)	LAMP ASM, SINGLE FROSTED LENS, 2 BULB W/O SWITCH GUSTAFSON 
LOS3	LAMP 170693-07-CHT SCREW G11-08-24U (4) CONNECTOR 58028-01-000 (2)	LAMP ASM, OPTICLEAR LENS, 2 BULB W/O SWITCH GUSTAFSON 
LO1N3	LAMP 170693-08-CHT SCREW G11-08-16U (4) CONNECTOR 58028-01-000 (2)	LAMP ASM, OPTICLEAR LENS, 1 BULB W/O SWITCH GUSTAFSON 

LEGEND

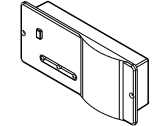


FIRST USED 96 MH'S
DO NOT SCALE DRAWING
TITLE: PART LISTING-ELECTRICAL
SHEET 4 PART NO 121339 REV

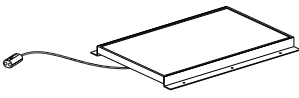
ANTENNA ASM-PACKAGE

NO	PART NUMBER	DESCRIPTION
ANT-1	ANTENNA 76319-24-000 HARDWARE- INTERIOR 76319-25-000 BUMPER 69726-02-000 (2) CLIP 80734-02-000	ROOF MOUNT TV ANTENNA ASM 25.5" MAST  600 MAX COAX LENGTH
ANT-2	ANTENNA 173519-01-CHT HARDWARE- INTERIOR 76319-25-000 BUMPER 69726-02-000 (2) ADAPTER SUPPLIED W/ANTENNA	ROOF MOUNT TV ANTENNA ASM 44.5" MAST  600 MAX COAX LENGTH
ANT-2W	ANTENNA 173519-01-CHT HARDWARE- INTERIOR 76319-25-000 BUMPER 69726-02-000 (2) ADAPTER SUPPLIED W/ANTENNA WEDGE 76319-26-000	ROOF MOUNT TV ANTENNA ASM 44.5" MAST  600 MAX COAX LENGTH
ANTA-1	ANTENNA 158270-01-CHT BUMPER 69726-02-000 (2) ADAPTER SUPPLIED W/ANTENNA ANTENNA-WINGMAN, ACCESSORY 173519-03-CHT	ROOF MOUNT TV ANTENNA ASM AUTOMATIC  600 MAX COAX LENGTH
ANT-3	ANTENNA-TV ROOF MNT, ROUND 167632-01-CHT PLATE-ROOF, CABLE ENTRY 146488-01-000 SCREW G67-10-129 (10) CABLE ASM-COAX 87105-01-006 ADAPTER 82134-01-000	ROOF MOUNT OMNI- DIRECTIONAL ANTENNA MOUNTING SCREWS SUPPLIED WITH ANTENNA 
ANT-4	ANTENNA 173519-01-CHT HARDWARE- INTERIOR 76319-25-000 BUMPER 69726-02-000 (2) ADAPTER SUPPLIED W/ANTENNA ANTENNA-HANDLE EXTENSION 173519-02-CHT	ROOF MOUNT TV ANTENNA ASM 44.5" MAST  600 MAX COAX LENGTH

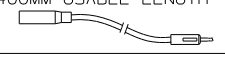
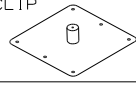

SENSORS

NO	PART NUMBER	DESCRIPTION
LP6D	LP GAS DETECTOR 150138-03-CHT SCREW G68-06-10U (2)	DETECTOR-LP GAS 


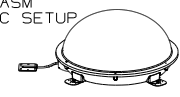
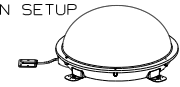
PANELS

NO	PART NUMBER	DESCRIPTION
SOLAR	PANEL-SOLAR 10 WATT 176261-01-000 SCREW G11-08-12U (4)	SOLAR PANEL 

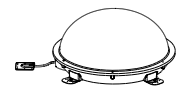
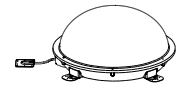
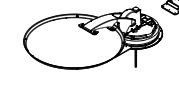
ANTENNA ASM-PACKAGE

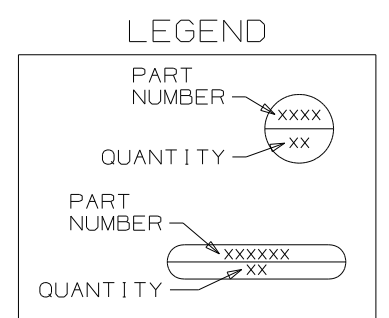
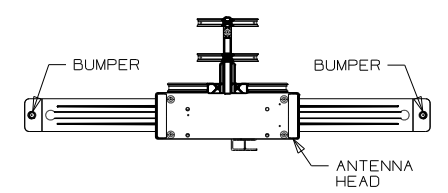
ANTEXT-1	CABLE ASM-EXTENS 77069-02-000	RADIO ANTENNA CABLE EXTENSION 2400MM USABLE LENGTH 
ANTKIT-1	ADAPTER-PLATE 76319-06-000 SCREW G11-08-0BT (6) CLIP-WIRE 80734-02-000 SCREW G11-08-0BT	PLATE ASM-ADAPTERS CABLE ROOF MOUNTING PLATE W/ CABLE-CABLE ADAPTER, FITTINGS, AND CABLE RETAINING CLIP 
ANT-R	ANTENNA-RADIO 90944-01-000 EXTENDER-SHAFT ANTENNA 109889-04-000 BRACKET-ANTENNA GROUND 147741-01-CHT	ROOF MOUNT RADIO ANTENNA 
ANTEXT-2	CABLE ASM-EXTENS 77069-03-000	RADIO ANTENNA CABLE EXTENSION 6600 MM USABLE LENGTH
ANT-A	ANTENNA-RADIO 90944-01-000 EXTENDER-SHAFT 76 MM 171825-01-000 (2) BRACKET-GROUND 147741-01-CHT NUT OMD01K-06-000 (2)	ROOF MOUNT RADIO ANTENNA THICK ROOF

SATELLITE DISH INSTL

NO	PART NUMBER	DESCRIPTION
DM-1	SATELLITE DISH 137135-02-000 SCREW G67-10-12B (8) PLATE & BRACKET (SUPPLIED) SCREW G67-10-12B (10)	SATELLITE DISH ANTENNA ASM MANUAL SETUP 
DA-1	SATELLITE DISH 163598-01-CHT PLATE-ROOF, CABLE ENTRY QUAD 146488-03-000 SCREW G67-10-12U (8) (FOR PLATE) SCREW G39-10-12U (12) (FOR SATELLITE DISH)	SATELLITE DISH ANTENNA ASM AUTOMATIC SETUP 
DI-1	SATELLITE DISH 154474-04-CHT SCREW G39-10-12B (12) PLATE 146488-01-000 SCREW G67-10-12B (10)	SATELLITE DISH ANTENNA ASM IN MOTION SETUP 

SATELLITE DISH INSTL

NO	PART NUMBER	DESCRIPTION
DA-2	SATELLITE DISH 163598-01-CHT PLATE-ROOF, CABLE ENTRY QUAD 146488-03-000 CABLE ASM-COAX 9" 163598-04-000 ADAPTOR-CABLE TO CABLE 82134-01-000 SCREW G67-10-12U (8) (FOR PLATE) SCREW G39-10-12U (12) (FOR SATELLITE DISH)	SATELLITE DISH ANTENNA ASM AUTOMATIC SETUP 
DI-2	SATELLITE DISH 154474-04-CHT PLATE-ROOF, CABLE ENTRY QUAD 146488-03-000 CABLE ASM-COAX 9" 163598-04-000 ADAPTOR-CABLE TO CABLE 82134-01-000 SCREW G67-10-12U (8) (FOR PLATE) SCREW G39-10-12U (12) (FOR SATELLITE DISH)	SATELLITE DISH ANTENNA ASM AUTOMATIC SETUP 
DM-2	SATELLITE DISH 137135-05-000 PLATE-ROOF, ENTRY (SUPPLIED WITH SATELLITE DISH) SCREW G67-10-12U (8) (FOR ROOF PLATE) SCREW G67-10-12U (10) (FOR SATELLITE DISH)	SATELLITE DISH ANTENNA ASM MANUAL SETUP 




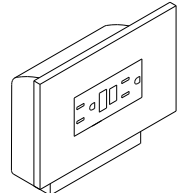

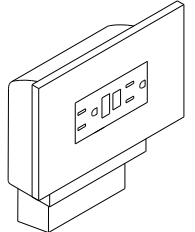
1 ADD BUMPER TO BOTTOM SIDE OF ANTENNA WINGS TO PREVENT DAMAGE TO ROOF. SEE DETAIL EA.

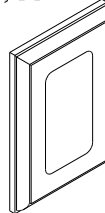
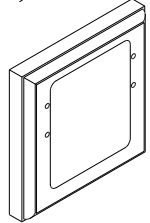
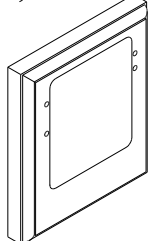
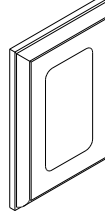
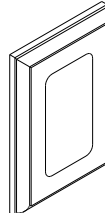
NOTES:

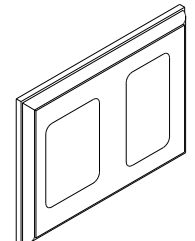
FIRST USED	96 MH'S
TITLE	DO NOT SCALE DRAWING
SHEET 5	PART NO 121339
	REV

RECEPTACLE PACKAGE -GFI


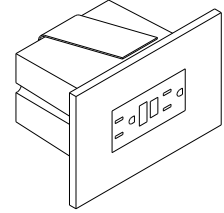

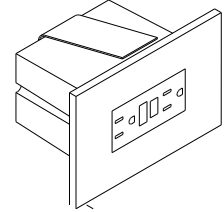
SPACERS

NO	PART NUMBER	DESCRIPTION
GFI US	RECEPTACLE 163319-01-CHT BOX 91910-01-000 WIRE-BONDING 133678-03-000 SCREW G13-07-12B (4) CONNECTOR 8313-01-000 TUBING-VINYL 8041-02-000 (300MM) 	GFI RECEPTACLE WITH COVER AND BOX FOR US APPLICATION 
GFI CAN	RECEPTACLE 163319-01-CHT BOX 91910-01-000 WIRE-BONDING 133678-03-000 SCREW G13-07-12B (4) CONNECTOR 8313-01-000 TUBING-VINYL 8041-02-000 (300MM) 	GFI RECEPTACLE WITH COVER AND BOX FOR CANADA APPLICATION 

NO	PART NUMBER	DESCRIPTION
SP-01	SPACER 102568-01-XXX	STANDARD 110V RECEPTACLE SPACER (WOOD,VYL RAP,OG) 
SP-02	SPACER 102568-02-XXX	WOOD SPACER FOR CEILING MOUNTED A/C PREP BOX (US) (WOOD,VYL RAP,OG) 
SP-03	SPACER 102568-03-XXX	WOOD SPACER FOR CEILING MOUNTED A/C PREP BOX (CANADA) (WOOD,VYL RAP,OG) 
SP-04	SPACER 133713-01-CHT	STANDARD 110V RECEPTACLE SPACER (WOOD,VYL RAP,BEV) 
SP-05	SPACER 133713-20-XXX	STANDARD 110V RECEPTACLE SPACER (WOOD,BEV) 

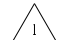
SP-21	SPACER 126052-01-XXX	WOOD SPACER FOR 1 - 110V RECEPTACLE AND 1 - REAR TV (12V) JACK (WOOD,BEV) 
-------	-------------------------	---

RECEPTACLE PACKAGE -GFI

NO	PART NUMBER	DESCRIPTION
GFI-1 US	RECEPTACLE 163319-01-CHT BOX 133070-01-000 WIRE-BONDING 133678-03-000 SCREW G13-07-12B (4) CONNECTOR 8313-01-000 TUBING-VINYL 8041-02-000 (300MM) 	GFI RECEPTACLE WITH COVER AND BOX FOR US APPLICATION 
GFI-1 CAN	RECEPTACLE 163319-01-CHT BOX 133070-02-000 WIRE-BONDING 133678-03-000 SCREW G13-07-12B (4) CONNECTOR 8313-01-000 TUBING-VINYL 8041-02-000 (300MM) 	GFI RECEPTACLE WITH COVER AND BOX FOR CANADA APPLICATION 

LEGEND

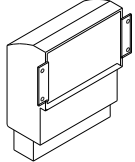
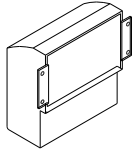
MISC.	SPACER
PART NUMBER → XXXX LISTING → XXX	XXXX → PART NUMBER

 APPLY TUBING TO BARE GROUND WIRES.
NOTES:

FIRST USED	96 MH'S
TITLE	DO NOT SCALE DRAWING
SHEET 6	PART NO 121339
	REV

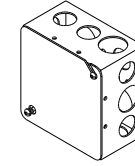
PREP-A/C, RECESSED (W/OUT FACTORY A/C)

NO	PART NUMBER	DESCRIPTION
PREP A/C-US	BOX 91910-02-000 COVER 84099-02-CHT LABEL 91243-01-000 SCREW G13-07-12B (4) CONNECTOR 8313-01-000 (3)	BOX AND EQUIPMENT USED FOR A/C PREP (W/OUT FACTORY A/C). US APPLICATION (RECESSED IN ROOF)
PREP A/C-CAN	BOX 91910-01-000 COVER 84099-02-CHT LABEL 91243-01-000 SCREW G13-07-12B (4) CONNECTOR 8313-01-000 (3)	BOX AND EQUIPMENT USED FOR A/C PREP (W/OUT FACTORY A/C). CANADA APPLICATION (RECESSED IN ROOF)



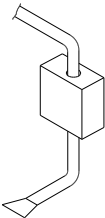
CONNECTION BOX, GENERATOR SERVICE FEED

NO	PART NUMBER	DESCRIPTION
J-GEN 30	BOX 8289-01-000 COVER	BOX AND EQUIPMENT USED FOR CONNECTING THE GENERATOR LEADS TO THE SERVICE ENTRANCE WIRES (US & CA APPLICATION)
J-GEN 30-US	8294-01-000 SCREW G67-10-10B (2)	
J-GEN 30-CA	WIRE ASM-GROUND 133678-02-000 WIRE NUT-GREY 8314-01-000 (3) CONNECTOR-WIRE 8356-01-000	



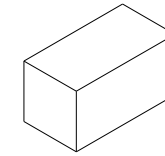
CONNECTION BOX-POWER CORD

NO	PART NUMBER	DESCRIPTION
J-PC 30	BOX 8289-01-000 COVER	CONNECTION BOX IN POWER CORD COMPT FOR POWER CORD (US & CA APPLICATION)
J-PC 30-US	8294-01-000 SCREW G67-10-10B (2)	
J-PC 30-CA	WIRE ASM-GROUND 133678-02-000 CONNECTOR 8314-01-000 (3) CONNECTOR 8356-02-000 CONNECTOR (PC) 8355-01-000	



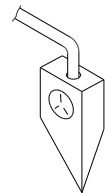
PREP-A/C, SURFACE (W/OUT FACTORY A/C)

NO	PART NUMBER	DESCRIPTION
PREP SURF	BOX 93603-01-000 COVER 53337-01-000 LABEL 91243-01-000 WIRE-BONDING 8019-01-000 SCREW G11-08-12B (2) TERMINAL 8328-01-000 CONNECTOR 8313-01-000 (2) CONNECTOR 8311-01-000	SURFACE MOUNT, US AND CANADA, BOX AND EQUIPMENT FOR A/C PREP (W/OUT FACTORY A/C). TYPICALLY LOCATED ON OVERHEAD CABINET INNER WALL OR ON CEILING.

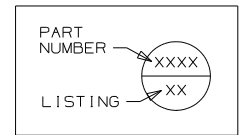


CONNECTION BOX-GENERATOR RECEPTACLE

NO	PART NUMBER	DESCRIPTION
J-RCP 30	BOX 8289-01-000 RECEPTACLE	CONNECTION BOX IN POWER CORD COMPT FOR THE GENERATOR RECEPTACLE (US & CA APPLICATION)
J-RCP 30-US	24924-02-000 COVER 69238-01-000 SCREW G67-10-10B (2)	
J-RCP 30-CA	WIRE ASM-GROUND 133678-02-000 133678-04-000 CONNECTOR 8314-01-000 TUBING-VINYL 8041-02-000 (150MM)	



LEGEND



1 APPLY TUBING TO BARE GROUND WIRES.

NOTES:

FIRST USED	96 MH'S
TITLE:	DO NOT SCALE DRAWING
	PART LISTING-ELECTRICAL
SHEET 7	PART NO 121339 REV

05/29/10
REPORT 3593-1

WIRE IDENTIFICATION CHART

CODE / COLOR	FROM:	TO:
A / 14 YEL	GALLEY CEILING LAMP SWITCH	GALLEY CEILING LAMP
B / 12 YEL	OVERCURRENT PROTECTION (30A BREAKER TYPICAL)	POWER PASSENGER SEAT ("BUDDY SEAT")
C / 12 WHT	POWER PASSENGER SEAT	GROUND
D / 14 YEL	SHOWER OVHD LAMP SWITCH SEE WIRE PF, START OF 97	SHOWER OVHD LAMP
E / 095038-01-	PHONE INPUT JACK	REAR PHONE JACK
F / 095038-01-	PHONE INPUT JACK	EXTERIOR PHONE JACK
G / 12/ 10 YEL	OVERCURRENT PROTECTION (30A BREAKER TYPICAL)	HIGH SPEED HEATER FAN (USE 10 IF OVER 6' RUN)
H / 095038-01-	PHONE INPUT JACK	FRONT PHONE JACK
J / 6 BLK	OVERCURRENT PROTECTION (45 OR 55A BREAKER TYP)	COACH 12V PANEL/ CONVERTER BATTERY CHARGE
K / 6 BLK	OVERCURRENT PROTECTION (45 OR 55A BREAKER TYP)	COACH 12V PANEL
L / 6 GRN	CONVERTER 45 OR 55 AMP	GROUND
M / 6 BLK	OVERCURRENT PROTECTION (45 OR 50A BREAKER)	CONVERTER BATTERY CHARGE
N / 10 WHT	REFRIGERATOR	GROUND
P / 10YEL(BLK)	OVERCURRENT PROTECTION (20A FUSE TYPICAL)	REFRIGERATOR (3 WAY)
R / 8 GRN	REFRIGERATOR CHASSIS	GROUND
S / 8 OR 6 GRN	GROUND BAR (LEFT SIDE)	CHASSIS GROUND
T / 8 OR 6 GRN	GROUND BAR (RIGHT SIDE)	CHASSIS GROUND
U / 6 GRN	CONVERTER CHASSIS	GROUND
W / 8 GRN	- GROUND STUD	- GROUND STUD
X / 14 YEL	- CHASSIS BRAKE LAMP CIRCUIT	- CENTER MOUNT BRAKE LAMP
Y / 16 YEL	VOLUME CONTROL	RADIO/TV SPEAKER
Z / 6 BLK	OVERCURRENT PROTECTION (45 OR 55A BREAKER TYP)	COACH 12V PANEL
AA / 16 WHT	SERVICE ENGINE SOON LAMP	VEHICLE SERVICE ENGINE SOON LAMP CIRCUIT
AB / 16 WHT	WATER TANK LEVEL SENSORS	GROUND
AC / 16 WHT	MAIN HOLDING TANK SENSORS (BLACK WATER)	GROUND
AD / 16 WHT	AUXILIARY HOLDING TANK #1 (GRAY WATER)	GROUND
AE / 16 WHT	AUXILIARY HOLDING TANK #2 (GRAY WATER)	GROUND
AF / 12 YEL	WATER PUMP SWITCH #1	MONITOR PANEL WATER PUMP SWITCH
AG / 12 YEL	WATER PUMP SWITCH #1	MONITOR PANEL WATER PUMP SWITCH
AH / 14 YEL	OVERCURRENT PROTECTION (10A FUSE TYPICAL)	BRAKE LAMP SWITCH WARNING LAMP (IGNITION RUN/START FED)
AJ / 12 WHT	CHASSIS GROUND	BODY GROUND
AK / 12 WHT	CHASSIS GROUND	BODY GROUND
AL / 12 YEL	HEATER CONTROL (LOW SPEED)	BLOWER MOTOR (LOW SPEED)
AM / 12YEL(WHT)	HEATER CONTROL (MEDIUM/LOW SPEED)	BLOWER MOTOR (MEDIUM/LOW SPEED)

WIRE IDENTIFICATION CHART

CODE / COLOR	FROM:	TO:
AN / 12 YEL	HEATER CONTROL (MEDIUM/HIGH SPEED)	BLOWER MOTOR (MEDIUM/HIGH SPEED)
AP / 14 YEL	IGNITION SWITCH ACCESSORY FEED	OVERCURRENT PROTECTION (15A FUSE TYPICAL)
AR / 14 WHT	HORN, FOG LAMPS	GROUND
AS / 18 WHT	DASH RADIO	RIGHT FRONT SPEAKER (NEGATIVE)
AT / 18 WHT	DASH RADIO	LEFT FRONT SPEAKER (NEGATIVE)
AU / 16 YEL	OVERCURRENT PROTECTION (15A BREAKER TYPICAL)	FRONT CARGO LAMP SWITCH (IGNITION ACCESSORY FED)
AW / 16 YEL	FRONT CARGO LAMP SWITCH	REAR CARGO LAMP SWITCH
AX / 16 YEL	FRONT CARGO LAMP SWITCH	REAR CARGO LAMP SWITCH
AY / 16 YEL	REAR CARGO LAMP SWITCH	CARGO LAMPS
BA / 14 WHT	WINDSHIELD WIPER MOTOR	GROUND
BB / 16 YEL	OVERCURRENT PROTECTION (6A BREAKER TYPICAL)	INSTRUMENT PANEL GAUGES (IGNITION ACCESSORY FED)
BC / 14 WHT	INDICATOR LAMPS	GROUND
BD / 14 YEL	OVERCURRENT PROTECTION (10A FUSE TYPICAL)	BRAKE LAMP SWITCH
BE / 12 WHT	BLOWER MOTOR	GROUND
BF / 14 WHT	WASHER BOTTLE PUMP/HORN	GROUND
BG / 14 YEL	FUEL SENDER	FUEL GAUGE
BH / 14 YEL	RUN ONLY POWER RELAY	ENGINE WIRING
BJ / 16 YEL	OVERCURRENT PROTECTION (10A FUSE TYPICAL)	ENGINE WIRING (IGNITION RUN/START FED)
BK / 14 YEL	OVERCURRENT PROTECTION (10A FUSE TYPICAL)	HORN RELAY FEED
BL / 16 WHT	CIGAR LIGHTER	GROUND
BM / 16 YEL	CHASSIS BATTERY POWER	CIGAR LIGHTER
BN / 16 YEL	ACCESSORY POWER	SPOTLAMP
BP / 14 WHT	POWER MIRROR	GROUND
BR / 14 YEL	POWER MIRROR (RIGHT SIDE)	POWER MIRROR CONTROL SWITCH
BS / 14 YEL	POWER MIRROR HEAT SWITCH	POWER MIRRORS
BT / 14 YEL	POWER MIRROR (LEFT SIDE)	POWER MIRROR CONTROL SWITCH
BU / 14 YEL	RUN ONLY POWER	POWER MIRROR HEAT/ CONTROL SWITCHES
BW / 12 YEL	IGNITION SWITCH	ACCESSORY CIRCUIT FEED
BX / 12YEL(ORN)	IGNITION SWITCH RUN ONLY SOURCE	GENERAL(TURN, BACK UP,DASH IGNITION CIRCUIT,ETC)
BY / 12YEL/8BLK	OVERCURRENT PROTECTION (16GA FUSELINK)(8GA PASSTHRU)	CHASSIS BATTERY SOURCE(AUTO AC BLOWER,POWER DRIVER SEAT,ETC)
CA / 12 YEL	OVERCURRENT PROTECTION (16GA FUSELINK TYPICAL)	CHASSIS BATTERY SOURCE
CB / 12 YEL	IGNITION SWITCH START SOURCE	START CIRCUIT SOURCE
CC / 16 YEL	ALTERNATOR	ALTERNATOR WARNING LAMP
CD / 16 YEL	OIL PRESSURE WARNING SENDER	OIL PRESSURE WARNING LAMP

05/29/10
REPORT 3593-1

WIRE IDENTIFICATION CHART

CODE / COLOR	FROM:	TO:
CE / 16 YEL	WATER TEMPERATURE WARNING SENDER	WATER TEMPERATURE WARNING LAMP
CF / 14 YEL	REAR TV JACK	POWER FEED SWITCH
CG / 14 YEL	CLUTCH/NEUTRAL SWITCH	START ISOLATION RELAY
CH / 14 YEL	START RELAY	ENGINE WIRING
CJ / 14 YEL	WINDSHIELD WIPER/WASHER CONTROL SWITCH	WINDSHIELD WASHER PUMP
CK / 16 YEL	TELEVISION	SPEAKER (POSITIVE)
CL / 16 WHT	TELEVISION	SPEAKER (NEGATIVE)
CM / 10 YEL	DVERCURRENT PROTECTION (15A BREAKER TYPICAL)	INVERTER FEED
CN / 10 WHT	INVERTER	GROUND
CP / 12 WHT	INVERTER CHASSIS	GROUND
CR / 16 WHT	VEHICLE CHECK ENGINE LAMP CIRCUIT	CHECK ENGINE LAMP
CS / 16 WHT	REMOTE THERMOSTAT (RC TERM/ORG EXPORT AIR)	GROUND
CT / 16 YEL	DAYTIME RUNNING LAMP MODULE OUTPUT(PIN 30)	LOW BEAM HEADLAMP CIRCUIT
CU / 16 YEL	DAYTIME RUNNING LAMP MODULE ENABLE(PIN 85)	RUN/START CIRCUIT
CW / 14 YEL	DAYTIME RUNNING LAMP MODULE POWER(PIN 87A)	CHASSIS BATTERY POWER
CX / 16 WHT	DAYTIME RUNNING LAMP MODULE GROUND(PIN 87)	GROUND
CY / 16 YEL	DAYTIME RUNNING LAMP MODULE HIGH BEAM DISABLE(PIN 86)	HIGH BEAM HEADLAMP CIRCUIT
DA / 12 YEL	SHOWER SUMP SYSTEM PUMP SWITCH	SHOWER SUMP SYSTEM PUMP
DB / 12 WHT	SHOWER SUMP SYSTEM PUMP	GROUND
DC / 16 YEL	REAR ROOF AIR CONDITIONER EXHAUST CIRCUIT	THERMOSTAT
DD / 16 YEL	REAR ROOF AIR CONDITIONER COOL CIRCUIT	THERMOSTAT (Y TERM-EXPORT AIR/YEL)
DE / 16 YEL	REAR ROOF AIR CONDITIONER HIGH SPEED FAN CIRCUIT	THERMOSTAT (H TERM-EXPORT AIR/BLU)
DF / 16 YEL	REAR ROOF AIR CONDITIONER LOW SPEED FAN CIRCUIT	THERMOSTAT (G TERM-EXPORT AIR/RED)
DG / 12YEL(GRY)	IGNITION SWITCH	ACCESSORY/RUN FEED
DH / 14 YEL	EMERGENCY SHUTDOWN GAUGE	FUEL SOLENOID (DIESEL ENGINE)
DJ / 16 YEL	TV/RADIO SPEAKER SWITCHING RELAY OUTPUT	LEFT REAR SPEAKER POSITIVE
DK / 16 WHT	TV/RADIO SPEAKER SWITCHING RELAY OUTPUT	LEFT REAR SPEAKER NEGATIVE
DL / 16 YEL	TV/RADIO SPEAKER SWITCHING RELAY OUTPUT	RIGHT REAR SPEAKER POSITIVE
DM / 16 WHT	TV/RADIO SPEAKER SWITCHING RELAY OUTPUT	RIGHT REAR SPEAKER NEGATIVE
DN / 10 YEL	BATTERY DISCONNECT RELAY	CIRCUIT BREAKER SLIDEOUT ROOM CIRCUIT BRKR
DP / 14 YEL	TV/RADIO SPEAKER FEED SELECT SWITCH	TV/RADIO SPEAKER SWITCHING RELAY COIL INPUT OR AMPLIFIER
DR / 16 YEL	HWH WIRING OR KWIKEE FRONT SLIDE MODULE	SLIDEOUT SWITCH (ROOM ONE EXTEND)
DS / 16 WHT	CONTROL MODULE (FRONT SLIDE)(GROUND)	SLIDEOUT SWITCH (FRONT SLIDEOUT)
DT / 16 YEL	SLIDEOUT ROOM RELAY (PIN 30)	SLIDEOUT ROOM CONTROL SWITCH

WIRE IDENTIFICATION CHART

CODE / COLOR	FROM:	TO:
DU / 16 YEL	HWH WIRING OR KWIKEE FRONT SLIDE MODULE	SLIDEOUT SWITCH (ROOM ONE RETRACT)
DW / 16 WHT	SLIDEOUT ROOM SWITCH (G) (SWITCHED GROUND TO PUMP)	HWH WIRING (SWITCHED GROUND TO PUMP)
DX / 16 WHT	HWH WIRING (G) (GROUND)	SLIDEOUT ROOM SWITCH (GROUND)
DY / 16 WHT	HWH WIRING (G) (JACK SENSE; SWITCHED GROUND)	SLIDEOUT ROOM RELAY (JACK SENSE; SWITCHED GROUND)
EA / 16 YEL	HWH WIRING (G) (ACCESSORY POWER)	SLIDEOUT ROOM RELAY (ACCESSORY POWER)
EB / 16 YEL	SLIDEOUT ROOM RELAY (G) (SWITCHED ACCESSORY POWER)	FRT/RR SLIDEOUT ROOM SWITCH (SWITCHED EXTEND/RETRACT PWR)
EC / 10 YEL	CHASSIS BATTERY POWER SOURCE (BATTERY MODE SOLENOID POST)	THRU FUSE TO AMP SOURCE SELECT RELAY(PIN 87)(OPTION 21V,95 Q
ED / 10 YEL	COACH BATTERY POWER SOURCE (BATTERY MODE SOLENOID POST)	THRU FUSE TO AMP SOURCE SELECT RELAY(PIN 87A)(OPTION 21V,95Q
EE / 16 YEL	AIR RIDE SUSPENSION LEFT DOWN SWITCH POSITION	AIR RIDE SUSPENSION LEFT HEIGHT CONTROL BOX
EF / 16 YEL	AIR RIDE SUSPENSION LEFT UP SWITCH POSITION	AIR RIDE SUSPENSION LEFT HEIGHT CONTROL BOX
EG / 16 WHT	AIR RIDE SUSPENSION WIRE ASM GROUND	AIR RIDE SUSPENSION CONTROL LAMP GROUNDS
EH / 16 YEL	AIR RIDE SUSPENSION RIGHT DOWN SWITCH POSITION	AIR RIDE SUSPENSION RIGHT HEIGHT CONTROL BOX
EJ / 16 YEL	AIR RIDE SUSPENSION RIGHT UP SWITCH POSITION	AIR RIDE SUSPENSION RIGHT HEIGHT CONTROL BOX
EK / 16 YEL	AIR RIDE SUSPENSION AUTO MODE SWITCH POSITION	AIR RIDE SUSPENSION HEIGHT CONTROL BOXES
EL / 16 YEL	RUN ONLY POWER	AIR RIDE SUSPENSION AUTO/MANUAL MODE SWITCH
EM / 16 YEL	AIR RIDE SUSPENSION COMPRESSOR	COMPRESSOR ON WARNING LAMP
EN / 16 YEL	AIR RIDE SUSPENSION MANUAL MODE SWITCH POSITION	LEVEL CONTROL SWITCHES AND INDICATOR LAMP
EP / 14 YEL	OVERCURRENT PROTECTION (15A BREAKER TYPICAL)	SPOTLAMP
ER / 16 YEL	OVERCURRENT PROTECTION (6A BREAKER TYPICAL)	ELECTRIC STEP KILL SWITCH
ES / 16 YEL	ELECTRIC STEP KILL SWITCH	ELECTRIC STEP
ET / 16 YEL	OVERCURRENT PROTECTION (6A BREAKER TYPICAL)	REFRIGERATOR (2 WAY)
EU / 16 WHT	REFRIGERATOR (2 WAY)	GROUND
EW / 14 YEL	FUEL HEATER SWITCH	FUEL HEATER (DIESEL ENGINE)
EX / 14 YEL	TELEVISION POWER SWITCH	TELEVISION WALL PLATE
EY / 12YELLTBLU	OVERCURRENT PROTECTION (16GA FUSELINK TYPICAL)	IGNITION SWITCH FEED #2
FA / 14 YEL	DRIVER'S DOOR PASSENGER SIDE POWER WINDOW SWITCH(DOWN,PIN2)	PASSENGER'S POWER WINDOW SWITCH(PIN 2)
FB / 14 YEL	DRIVER'S DOOR PASSENGER SIDE POWER WINDOW SWITCH(UP,PIN 4)	PASSENGER'S POWER WINDOW SWITCH(PIN 4)
FC / 14 YEL	PASSENGER'S DOOR POWER WINDOW SWITCH(DOWN,PIN 1)	PASSENGER'S DOOR POWER WINDOW MOTOR(DOWN)
FD / 14 YEL	PASSENGER'S DOOR POWER WINDOW SWITCH(UP,PIN 5)	PASSENGER'S DOOR POWER WINDOW MOTOR(UP)
FG / 16/10 YEL	AMPLIFIER POWER SOURCE	AMPLIFIER POWER FEED
FH / 16/10 WHT	AMPLIFIER	GROUND
FJ / 12 YEL	WATER PUMP SWITCH #2 (THREE SWITCH SYSTEM)	WATER PUMP SWITCH #1 (THREE SWITCH SYSTEM)
FK / 12 YEL	WATER PUMP SWITCH #2 (THREE SWITCH SYSTEM)	WATER PUMP SWITCH #1 (THREE SWITCH SYSTEM)
FL / 14 YEL	SECOND PORCH LAMP SWITCH	SECOND PORCH LAMP

WIRE IDENTIFICATION CHART

CODE / COLOR	FROM:	TO:
FM / 14 WHT	SOLENOID MOUNTING BOLT	GROUND
FN / 16 YEL	SOURCE SELECTOR SWITCH (DELUXE SOUND SYSTEM,95 LUXOR)	AMP & EQUALIZER REMOTE TRIGGER (DELUXE SOUND SYSTEM,95 LUXOR
FP / 16 YEL	EXHAUST BRAKE SWITCH (DIESEL PUSHER CHASSIS)	CHASSIS EXHAUST BRAKE HARNESS & BRAKE ON DASH INDICATOR LAM
FR / 14 YEL	FORD RUN/ACCESSORY IGNITON CIRCUIT(WHT/PUR,10A FUSED)	DOCKING LAMPS, RELAY TRIGGER, REAR MONITOR CAMERA FEED
FS / 14 YEL	DOCKING LAMPS RELAY(PIN 87)	DOCKING LAMPS
FT / 14 WHT	DOCKING LAMPS	GROUND
FU / 14 YEL	AUTOMOTIVE AIR WIRING	FORD A/C COMPRESSOR CLUTCH SWITCH CIRCUIT
FW / 14 YEL	DOCKING LAMPS SWITCH	DOCKING LAMPS RELAY(PIN 30)
FX / 12 YEL	OVERCURRENT PROTECTION (30A BRKR OR FUSE)	POWER DRIVER SEAT (I.E.,6 WAY)
FY / 12 WHT	POWER DRIVER SEAT (I.E.,6 WAY)	GROUND
GA / 14 YEL	WATER SYSTEM WINTERIZATION SWITCH	WINTERIZATION VALVE
GB / 14 YEL	WATER HEATER BYPASS SWITCH	WATER HEATER BYPASS VALVE
GC / 16 YEL	SLIDEOUT ROOM SPDT SWITCH (M) (SWITCHED WIRE)	HWH WIRING (SWITCHED WIRE)
GD / 16 YEL	WIPER CONTROL MODULE	WIPER MOTOR (S TERMINAL)
GE / 16 YEL	SWITCHED DOME LAMP FEED	DOME LAMP
GF / 16 WHT	COMMON REAR CHANNEL SPEAKER RETURN	REAR SPEAKERS
GG / 16 YEL	RADIO REMOTE TRIGGER (DELUXE SOUND OPTION)	SOURCE SELECTOR SWITCH (LUXOR)
GH / 14 WHT	GLOW PLUG WAIT LAMP (DIESEL ENGINE)	ENGINE SENDER
GJ / 16 YEL	COACH BATTERY POWER (UPSTREAM OF DISCONNECT)	LP DETECTOR AND/OR SOLAR PANEL WIRING OVERCURRENT PROTECTION
GK / 14 YEL	AIR HORN SWITCH	CHASSIS HORN
GL / 16 WHT	WATER/HOLDING TANKS LEVEL SENSORS	GROUND
GM / 16 YEL	JET AIR RIDE SUSPENSION PRESSURE SENSORS	CHECK REAR AIR SUSPENSION DASH WARNING LAMP
GN / 16 YEL	REAR TV SPEAKER OUTPUT (POSITIVE)	REAR TV SPEAKER (POSITIVE)
GP / 16 WHT	REAR TV SPEAKER OUTPUT (NEGATIVE)	REAR TV SPEAKER (NEGATIVE)
GR / 14 YEL	THERMOSTATICALLY CONTROLLED ROOF VENT (SEND)	THERMOSTAT (RETURN)
GS / 14 YEL	THERMOSTATICALLY CONTROLLED ROOF VENT (RETURN)	THERMOSTAT (RETURN)
GT / 16 YEL	RADIO POWER SWITCH (MEMORY FEED)	RADIO (MEMORY FEED)
GU / 16 YEL	DEFOG MODULE OUTPUT	DEFOG RELAY, INDICATOR LAMP
GW / 16 WHT	DEFOG SWITCH ON/OFF	DEFOG MODULE ON/OFF
GX / 16/12 WHT	STEP COVER SWITCH (REF AAA-16/KA-12)	GROUND
GY / 12 YEL	DEFOG RELAY	DEFOG UNIT
HA / 14 YEL	READING LAMPS SWITCH (93 VANS)	READING LAMPS
HB / 14 YEL	"MOOD" LAMPS SWITCH (93 VANS)	"MOOD" LAMPS
HC / 14 YEL	12V POWER SOURCE (93 VANS)	OVERCURRENT PROTECTION (15A FUSE TYPICAL)

WIRE IDENTIFICATION CHART

CODE / COLOR	FROM:	TO:
HD / 14 YEL	SOFA SLIDE MOTOR POSITIVE (94 VANS)	SOFA MONOPLEX CONTROLLER
HE / 14 WHT	SOFA SLIDE MOTOR NEGATIVE (94 VANS)	SOFA MONOPLEX CONTROLLER
HF / 14 YEL	SOFA RECLINE MOTOR POSITIVE (94 VANS)	SOFA MONOPLEX CONTROLLER
HG / 14 WHT	SOFA RECLINE MOTOR NEGATIVE (94 VANS)	SOFA MONOPLEX CONTROLLER
HH / 16 YEL	SOFA MONOPLEX SWITCH (94 VANS)	SOFA MONOPLEX CONTROLLER
HJ / 16 WHT	SOFA MONOPLEX SWITCH (94 VANS)	GROUND
HK / 14 WHT	SOFA MONOPLEX CONTROLLER (94 VANS)	GROUND
HL / 14 YEL	FLOOD LAMP SWITCH (94 VANS)	FLOOD LAMP
HM / 16 YEL	REAR TV SPEAKER OUTPUT (POSITIVE)	REAR TV SPEAKER (POSITIVE)
HN / 16 WHT	REAR TV SPEAKER OUTPUT (NEGATIVE)	REAR TV SPEAKER (NEGATIVE)
HP / 16 YEL	OVERCURRENT PROTECTION (94 VANS)	REAR AC
HR / 14 YEL	SWITCH (94 1200 MODEL VAN)	12VOLT RECEPTACLE
HS / 16 YEL	SOLAR PANEL (1HS INDICATOR TO BATTERY)	COACH BATTERY THRU OVERCURRENT PROTECTION
HT / 16 WHT	SOLAR PANEL (1HT INDICATOR TO GROUND)	GROUND
HU / 16 YEL	GENERATOR SWITCH (LED)	GENERATOR (POSITIVE SIGNAL)
HW / 16 YEL	LICENSE PLATE LAMP FEED	LICENSE PLATE LAMP
HX / 16 YEL	CHASSIS CLEARANCE LAMP CRT #2	CLEARANCE/MARKER LAMPS
HY / 12 WHT	DEFOG UNIT	GROUND
JA / 14 YEL	OVERCURRENT PROTECTION (15A FUSE/BREAKER TYPICAL)	WATER PUMP, MONITOR PANEL, ETC ("CLEAN CIRCUIT", REF JP)
JB / 14 YEL	OVERCURRENT PROTECTION (15A FUSE/BREAKER TYPICAL)	FURNACE, ROOF VENT, ETC (REF JM)
JC / 14 YEL	OVERCURRENT PROTECTION (15A FUSE/BREAKER TYPICAL)	COACH LIGHTING, ETC CIRCUIT #1 (REF NC)
JD / 14 YEL	OVERCURRENT PROTECTION (15A FUSE/BREAKER TYPICAL)	COACH LIGHTING, ETC CIRCUIT #2 (REF ND)
JE / 14 YEL	OVERCURRENT PROTECTION (15A FUSE/BREAKER TYPICAL)	COACH LIGHTING, ETC CIRCUIT #3 (REF NE)
JF / 14 YEL	OVERCURRENT PROTECTION (15A FUSE/BREAKER TYPICAL)	COACH LIGHTING, ETC CIRCUIT #4 (REF NF)
JG / 14 YEL	OVERCURRENT PROTECTION (15A FUSE/BREAKER TYPICAL)	COACH LIGHTING, ETC (ALT CLEAN) CIRCUIT #5 (REF JN)
JH / 14 YEL	MAIN FURNACE (12V POWER)	MAIN FURNACE THERMOSTAT
JJ / 14 YEL	MAIN FURNACE (HEAT)	MAIN FURNACE THERMOSTAT
JK / 14 YEL	AUXILIARY FURNACE	AUXILIARY FURNACE THERMOSTAT
JL / 14 YEL	AUXILIARY FURNACE	AUXILIARY FURNACE THERMOSTAT
JM / 14 WHT	MAIN FURNACE	GROUND
JN / 14 WHT	COACH LIGHTING CIRCUIT #5 (REF JG)	GROUND (ALTERNATE CLEAN CIRCUIT FOR LINEAR CONVERTER)
JP / 14 WHT	"CLEAN CIRCUIT" DEVICES (REF JA)	GROUND
JR / 16 YEL	MONITOR PANEL	LP TANK #2 LEVEL SENSOR
JS / 12 YEL	MONITOR PANEL WATER PUMP SWITCH	WATER PUMP

05/29/10
REPORT 3593-1

WIRE IDENTIFICATION CHART

CODE / COLOR	FROM:	TO:
JT / 16 YEL	MONITOR PANEL	LP TANK #1 LEVEL SENSOR
JU / 14 YEL	MONITOR PANEL WATER HEATER SWITCH	WATER HEATER (PILOT OUT INDICATOR)
JW / 14 YEL	MONITOR PANEL WATER HEATER SWITCH	WATER HEATER (LP GAS TRIGGER)
JX / 14 WHT	WATER HEATER	GROUND
JY / 12 WHT	WATER PUMP OR WATER PUMP CONTROL	GROUND
KA / 12 YEL	OVERCURRENT PROTECTION (25A BREAKER TYPICAL)	ELECTRIC STEP BATTERY POWER
KB / 10 YEL	OVERCURRENT PROTECTION (25A BREAKER TYPICAL)	ELECTRIC STEP KILL SWITCH (OLD STEP WIRING STYLE)
KC / 10 YEL	ELECTRIC STEP KILL SWITCH (OLD STEP WIRING STYLE)	ELECTRIC STEP
KD / 18 WHT	ELECTRIC STEP DOOR JAMB SWITCH	ELECTRIC STEP
KE / 14 YEL	RUN ONLY POWER SOURCE	GENERAL PURPOSE(RELAY TRIGGER, REAR AUTO HTR,DRL,MONITOR,ETC
KF / 16 WHT	COACH BATTERY DISCONNECT RELAY SWITCH	GROUND
KG / 14 YEL	POWER LIFT VENT (BLU)	POWER LIFT SWITCH(UP)
KH / 14 YEL	POWER LIFT VENT (RED)	POWER LIFT SWITCH(DOWN)
KJ / 14 YEL	POWER LIFT VENT (BLK)	FAN SWITCH
KK / 18 YEL	REAR STEREO	RIGHT SPEAKER (POSITIVE)
KL / 18 WHT	REAR STEREO	RIGHT SPEAKER (NEGATIVE)
KM / 14 YEL	POWER LIFT VENT LAMP	LAMP SWITCH
KN / 18 YEL	REAR STEREO	LEFT SPEAKER (POSITIVE)
KP / 18 WHT	REAR STEREO	LEFT SPEAKER (NEGATIVE)
KR / 14 WHT	REAR STEREO ANTENNA	GROUND
KS / 14 YEL	REAR AUTO HEATER SWITCH (HIGH SPEED)	REAR AUTO HEATER
KT / 14 YEL	REAR AUTO HEATER SWITCH (MEDIUM SPEED)	REAR AUTO HEATER
KU / 14 YEL	REAR AUTO HEATER SWITCH (LOW SPEED)	REAR AUTO HEATER
KW / 18 YEL	DASH RADIO	RIGHT FRONT SPEAKER (POSITIVE)
KX / 18 YEL	DASH RADIO	RIGHT REAR SPEAKER (POSITIVE)
KY / 18 YEL	DASH RADIO	LEFT FRONT SPEAKER (POSITIVE)
LA / 18 YEL	DASH RADIO	LEFT REAR SPEAKER (POSITIVE)
LB / 18 WHT	DASH RADIO	RIGHT REAR SPEAKER (NEGATIVE)
LC / 18 WHT	DASH RADIO	LEFT REAR SPEAKER (NEGATIVE)
LD / 14 YEL	IGNITION SWITCH ACCESSORY POWER SOURCE	GENERAL PURPOSE(AUX FANS,RELAY TRIGGER,ETC.)
LE / 14 YEL	AUXILIARY DEFROST FANS SWITCH (HIGH SPEED)	AUXILIARY DEFROST FANS (BLK)
LF / 14 YEL	AUXILIARY DEFROST FANS SWITCH (LOW SPEED)	AUXILIARY DEFROST FANS (RED)
LG / 16 YEL	COACH BATTERY DISCONNECT RELAY (TERMINAL I)	COACH BATTERY DISCONNECT RELAY SWITCH
LH / 16 YEL	COACH BATTERY DISCONNECT RELAY (TERMINAL S)	COACH BATTERY DISCONNECT RELAY SWITCH

WIRE IDENTIFICATION CHART

CODE / COLOR	FROM:	TO:
LJ / 16 YEL	COACH BATTERY DISCONNECT RELAY BATTERY SIDE FUSE FEED	COACH BATTERY DISCONNECT RELAY SWITCH
LK / 16 YEL	COACH BATTERY DISCONNECT RELAY LOAD SIDE FUSE FEED	COACH BATTERY DISCONNECT RELAY SWITCH/INDICATOR LAMP
LL / 16 WHT	GENERATOR SWITCH (START)	GENERATOR (RED)
LM / 16 WHT	GENERATOR SWITCH (STOP)	GENERATOR (ORN)
LN / 16 WHT	GENERATOR SWITCH/INDICATOR (GROUND)	GENERATOR (GRN)
LP / 16 YEL	GENERATOR SWITCH/INDICATOR (RUN)	GENERATOR (BLU)
LR / 14 YEL	BATTERY MODE SWITCH (AUX START SWITCH)	BATTERY MODE SOLENOID (AUX START SOLENOID)
LS / 12 YEL	OVERCURRENT PROTECTION 20A BREAKER TYPICAL,COACH FEED	GENERAL PURPOSE(BATTERY MODE, RADIO POWER,BATTERY CONDITION
LT / 16 YEL	BATTERY CONDITION SWITCH	VOLTMETER (POWER FEED)
LU / 14 YEL	CHASSIS BRAKE LAMP CIRCUIT	VEHICLE BRAKES, TAG AXLE CONTROL MODULE,ETC.
LW / 14 YEL	WIPER CONTROL MODULE (PARK)	WINDSHIELD WIPER MOTOR (FRONT)
LX / 14 YEL	WIPER CONTROL MODULE (LOW SPEED)	WINDSHIELD WIPER MOTOR (FRONT)
LY / 14 YEL	WIPER CONTROL MODULE (HIGH SPEED)	WINDSHIELD WIPER MOTOR (FRONT)
MA / 14 YEL	WIPER CONTROL MODULE (WASHER BOTTLE PUMP)	WINDSHIELD WASHER BOTTLE PUMP (FRONT)
MB / 14 YEL	CHASSIS WINDSHIELD WIPER FEED CIRCUIT	OVERCURRENT PROTECTION (6A BREAKER TYPICAL)
MC / 16 WHT	INSTRUMENT PANEL LAMPS	GROUND
MD / 14 YEL	OVERCURRENT PROTECTION (15A BREAKER TYPICAL)	REMOTE MIRROR RELAY/POWER WINDOW FEED
ME / 14 YEL	OVERCURRENT PROTECTION (15A BREAKER TYPICAL)	AIR HORN RELAY FEED/ MARKER LAMPS RELAY FEED
MF / 14 YEL	OVERCURRENT PROTECTION (15A BREAKER TYPICAL)	FOG LAMP RELAY FEED/ SPOT LAMP FEED
MG / 14 WHT	GENERAL PURPOSE(RELAYS,DASH DEVICES,ETC.)	GROUND
MH / 16 WHT	CHASSIS CHOKE LAMP INDICATOR CIRCUIT	CHOKE LAMP
MJ / 14 YEL	CHASSIS WINDSHIELD WIPER FEED CIRCUIT	WIPER CONTROL MODULE (POWER FEED)
MK / 14 YEL	CHASSIS BATTERY POWER FEED CIRCUIT	GENERAL PURPOSE(CIGAR LIGHTER, DOME/COURTESY LAMPS,ETC)
ML / 16 YEL	CHASSIS INSTRUMENT PANEL LAMPS FEED CIRCUIT	INSTRUMENT PANEL LAMPS
MM / 14 YEL	CHASSIS CLEARANCE LAMP CRT #1 (BRN TYPICAL)	CLEARANCE/MARKER LAMPS
MN / 14 WHT	DOME LAMP SWITCHED GROUND	DOME LAMP SWITCH(DOOR JAMB, INSTRUMENT PANEL SWITCH,ETC)
MP / 18/16 WHT	ELEC STEP DOOR JAMB SWITCH, LP TANK SENDER, ETC	GROUND
MR / 14 YEL	REAR WINDOW WIPER SWITCH (LOW SPEED)	REAR WINDOW WIPER MOTOR (LOW SPEED)
MS / 14 WHT	CLEARANCE/MARKER LAMPS	GROUND
MT / 8 WHT	ELECTRIC STEP	GROUND
MU / 14 WHT	GENERAL PURPOSE(CIGAR LIGHTER, DOME LAMPS,12 V OUTLETS,ETC)	GROUND
MW / 16 YEL	VEHICLE CHECK ENGINE LAMP CIRCUIT	CHECK ENGINE LAMP
MX / 16 YEL	WINDSHIELD WIPER SWITCH	WIPER RELAY
MY / 14 YEL	VEHICLE HEADLAMP FEED CIRCUIT	DIMMER MODULE

WIRE IDENTIFICATION CHART

CODE / COLOR	FROM:	TO:
NA / 14 YEL	VEHICLE HEADLAMP LOW BEAM CIRCUIT	DIMMER MODULE
NB / 14 YEL	VEHICLE HEADLAMP HIGH BEAM CIRCUIT	DIMMER MODULE
NC / 14 WHT	COACH LIGHTING CIRCUIT #1 (REF JC)	GROUND
ND / 14 WHT	COACH LIGHTING CIRCUIT #2 (REF JD)	GROUND
NE / 14 WHT	COACH LIGHTING CIRCUIT #3 (REF JE)	GROUND
NF / 14 WHT	COACH LIGHTING CIRCUIT #4 (REF JF)	GROUND
NG / 14 YEL	FOG LAMPS SWITCH (OR LEFT FOG LAMP FEED)	FOG LAMPS RELAY (OR LEFT FOG LAMP)
NH / 14 YEL	FOG LAMPS RELAY (OR RIGHT FOG LAMP FEED)	FOG LAMPS (OR RIGHT FOG LAMP)
NJ / 16 YEL	CHASSIS HORN FEED CIRCUIT	AIR HORN SWITCH
NK / 14 YEL	AIR HORN SWITCH	AIR HORN AIR TANK AIR RELEASE VALVE
NL / 14 YEL	AR HORN RELAY	AIR HORN AIR COMPRESSOR
NM / 14 YEL	OVERCURRENT PROTECTION (15A FUSE TYPICAL)	COACH LIGHTING CIRCUIT #6 (REF PM)
NN / 16 YEL	LEFT POWER MIRROR MOTOR (HORIZONTAL CONTROL, YEL)	POWER MIRROR CONTROL SWITCH
NR / 16 YEL	LEFT POWER MIRROR (VERTICAL CONTROL, WHT)	POWER MIRROR CONTROL SWITCH
NS / 14 YEL	POWER MIRROR HEATER SWITCH	POWER MIRRORS (RED)
NT / 14 YEL	POWER MIRROR RELAY	POWER MIRROR CONTROL SWITCH
NU / 14 YEL	AISLE LAMPS SWITCH #1	AISLE LAMPS SWITCH #2
NW / 14 YEL	FRONT COMPARTMENT LAMPS SWITCH	COMPARTMENT LAMPS
NX / 14 YEL	INTERSTATE COMMERCE COMMITTEE COURTESY BLINK SWITCH	CLEARANCE LAMPS
NY / 14 YEL	AISLE LAMPS SWITCH #1	AISLE LAMPS SWITCH #2
PA / 14 WHT	REAR AUTO HEATER	GROUND
PB / 14 WHT	REAR WINDOW WIPER MOTOR	GROUND
PC / 14 YEL	BEDROOM CEILING LAMP SWITCH	BEDROOM CEILING LAMP
PD / 14 YEL	MAKE UP LAMP #1 SWITCH	MAKE UP LAMP #1
PE / 14 YEL	BATH CEILING LAMP SWITCH	BATH CEILING LAMP
PF / 14 YEL	SHOWER LAMP SWITCH WIRE D WAS FIRST USED ON C'S	SHOWER LAMP
PG / 14 YEL	WARDROBE LAMP SWITCH	WARDROBE LAMP
PH / 14 YEL	AISLE LAMPS SWITCH	AISLE LAMPS
PJ / 14 YEL	PORCH LAMP SWITCH	PORCH LAMP
PK / 14 YEL	STRIP LAMP SWITCH	STRIP LAMP
PL / 14 YEL	FRONT CEILING LAMP SWITCH	FRONT CEILING LAMP
PM / 14 WHT	COACH LIGHTING CIRCUIT #6 (REF NM)	GROUND
PN / 16 WHT	RIGHT POWER MIRROR (COMMON, BLK)	POWER MIRROR CONTROL SWITCH
PP / 16 YEL	RIGHT POWER MIRROR (HORIZONTAL CONTROL, YEL)	POWER MIRROR CONTROL SWITCH

WIRE IDENTIFICATION CHART

CODE / COLOR	FROM:	TO:
PR / 16 YEL	RIGHT POWER MIRROR (VERTICAL CONTROL,WHT)	POWER MIRROR CONTROL SWITCH
PS / 14 YEL	MAP LAMP SWITCH	MAP LAMP
PT / 14 YEL	BEVERAGE TRAY LAMP SWITCH	BEVERAGE TRAY LAMP
PU / 14 YEL	DUMP LAMP SWITCH	DUMP LAMP
PW / 14 YEL	OVERCURRENT PROTECTION (15A BREAKER TYPICAL)	POWER DOOR LOCK/UNLOCK RELAY (PIN 30)
PX / 16 YEL	POWER DOOR LOCK SWITCH (LOCK) (PIN 1)	POWER DOOR LOCK RELAY (PIN 86)
PY / 16 YEL	POWER DOOR LOCK SWITCH (UNLOCK) (PIN 5)	POWER DOOR UNLOCK RELAY (PIN 86)
RA / 14 YEL	VEHICLE LEFT FRONT TURN SIGNAL CIRCUIT	LEFT FRONT TURN SIGNAL/MARKER LAMP
RB / 14 YEL	VEHICLE RIGHT FRONT TURN SIGNAL CIRCUIT	RIGHT FRONT TURN SIGNAL/MARKER LAMP
RC / 14 WHT	FRONT AUTOMOTIVE LAMPS(TURN, MARKER,ETC)	GROUND
RD / 14 YEL	OVERCURRENT PROTECTION (15 A FUSE TYPICAL)	HAZARD FLASHER, HORN RELAY
RE / 12 YEL	RADIATOR FAN RELAY#1 (COMMON)	RADIATOR FAN #1
RF / 12 YEL	RADIATOR FAN RELAY #2 (COMMON)	RADIATOR FAN #2
RG / 14 WHT	RADIATOR FAN THERMOSTAT SWITCH	RADIATOR FAN RELAYS (COILS,TRIGGER)
RH / 12YEL(BLK)	OVERCURRENT PROTECTION (25A BREAKER TYPICAL)	RADIATOR FAN RELAY #1 (NORMALLY OPEN)
RJ / 12YEL(BLK)	OVERCURRENT PROTECTION (25A BREAKER TYPICAL)	RADIATOR FAN RELAY #2 (NORMALLY OPEN)
RK / 12 WHT	RADIATOR FAN #1	GROUND
RL / 12 WHT	RADIATOR FAN #2	GROUND
RM / 14 WHT	VEHICLE IGNITION SWITCH GROUND DURING START CIRCUIT	BULB CHECK(LOW TAG AIR,PARK BRAKE,ETC)
RN / 14 YEL	AUTOMOTIVE AIR CONDITIONER THERMOSTAT CUTOFF SWITCH	AUTOMOTIVE AIR CONDITIONER COMPRESSOR CLUTCH
RP / 14 YEL	AUTOMOTIVE AIR CONDITIONER COOLANT FAN CONTROL	COOLANT FAN RELAY
RR / 14 YEL	BRAKE LAMP SWITCH	TURN SIGNAL SWITCH
RS / 14 YEL	HEADLAMP SWITCH INSTRUMENT PANEL LAMP FEED SWITCH	OVERCURRENT PROTECTION (5A FUSE TYPICAL)
RT / 14 YEL	HORN RELAY (COMMON)	HORN
RU / 14 YEL	HORN RELAY (COIL)	HORN SWITCH
RW / 14 YEL	HAZARD FLASHER	TURN SIGNAL SWITCH
RX / 14 YEL	EUL WARNING LAMP	EUL MODULE
RY / 14 WHT	INSTRUMENT CLUSTER/ EUL MODULE	GROUND
SA / 14 YEL	ENGINE WATER TEMPERATURE SENDER	ENGINE WATER TEMPERATURE GAUGE
SB / 14 YEL	ENGINE OIL PRESSURE SENDER	ENGINE OIL PRESSURE GAUGE
SC / 14 YEL	VEHICLE RIGHT REAR TURN SIGNAL/BRAKE LAMP CIRCUIT	RIGHT REAR TURN SIGNAL/ BRAKE LAMPS
SD / 14 YEL	VEHICLE LEFT REAR TURN SIGNAL/BRAKE LAMP CIRCUIT	LEFT REAR TURN SIGNAL/ BRAKE LAMPS
SE / 16YEL(WHT)	SPEED SENSOR (TWISTED PAIR)	SPEEDOMETER AND SPEED CONTROL MODULE
SF / 16WHT(BLK)	SPEED SENSOR (TWISTED PAIR)	SPEEDOMETER AND SPEED CONTROL MODULE

WIRE IDENTIFICATION CHART

CODE / COLOR	FROM:	TO:
SG / 14 YEL	IGNITION SWITCH START FEED	GENERAL(NEUTRAL SAFETY SWITCH, FUEL PUMP RELAY COIL,ETC)
SH / 14 YEL	IGNITION SWITCH RUN/START FEED	GENERAL(IGNITION COIL RELAY NORMALLY OPEN CONTACT,ETC)
SJ / 12/10 YEL	OVERCURRENT PROTECTION	CHASSIS BATTERY FEED
SK / 12YEL(WHT)	OVERCURRENT PROTECTION (16GA FUSELINK TYPICAL)	CHASSIS BATTERY HEADLAMP SWITCH FEED #1
SL / 12YEL(BLU)	OVERCURRENT PROTECTION (16GA FUSELINK TYPICAL)	CHASSIS BATTERY IGNITION SWITCH FEED #1
SM / 12YEL(BLK)	OVERCURRENT PROTECTION (16GA FUSELINK TYPICAL)	RADIATOR FAN #1 CIRCUIT BREAKER FEED
SN / 12YEL(BLK)	OVERCURRENT PROTECTION (16GA FUSELINK TYPICAL)	RADIATOR FAN #2 CIRCUIT BREAKER FEED
SP / 14 YEL	HEADLAMP SWITCH MARKER CIRCUIT FEED	OVERCURRENT PROTECTION (15A FUSE TYPICAL)
SR / 12YEL(BRN)	IGNITION SWITCH RUN ONLY FEED	OVERCURRENT PROTECTION (15A FUSE TYPICAL)
SS / 12YEL(WHT)	IGNITION SWITCH ACCESSORY FEED	OVERCURRENT PROTECTION (15A FUSE TYPICAL)
ST / 14 YEL	OVERCURRENT PROTECTION (15A FUSE TYPICAL)	URNS/BACK UP CIRCUIT FEED
SU /	STARTER SOLENOID BATTERY TERMINAL	ALTERNATOR BATTERY TERMINAL
SW / 14 YEL	TURN SIGNAL FLASHER	TURN SIGNAL SWITCH
SX / 14 YEL	REAR WINDOW WASHER SWITCH	REAR WINDOW WASHER BOTTLE PUMP
SY / 14 YEL	IGNITION COIL	TACHOMETER
TA / 14 YEL	OVERCURRENT PROTECTION (15A FUSE TYPICAL)	IGNITION RUN ONLY GENERAL FEED (RADIATOR FAN RELAY COIL,ETC)
TB / 12 YEL	OVERCURRENT PROTECTION (25A FUSE TYPICAL)	IGNITION RUN ONLY GENERAL FEED (AUTO AC BLOWER(NOT HIGH),ETC)
TC / 14 YEL	OVERCURRENT PROTECTION (15A FUSE TYPICAL)	IGNITION RUN ONLY GENERAL FEED (DOOR LOCKS,REAR WIPER,ETC.)
TD / 14/12YEL	OVERCURRENT PROTECTION	CHASSIS BATTERY GENERAL FEED
TE / 16 WHT	GENERATOR	GENERATOR LOW OIL INDICATOR LAMP
TF / 16 YEL	GENERATOR	GENERATOR LOW OIL INDICATOR LAMP
TG / 16 YEL	TELEVISION	SPEAKER RIGHT (POSITIVE)
TH / 16 WHT	TELEVISION	SPEAKER RIGHT (NEGATIVE)
TJ / 16 YEL	TELEVISION	SPEAKER LEFT (POSITIVE)
TK / 16 WHT	TELEVISION	SPEAKER LEFT (NEGATIVE)
TL / 16 YEL	FRONT RIGHT TV SPEAKER NEGATIVE,SERIES CONNECTION	FRONT LEFT TV SPEAKER POSITIVE,SERIES CONNECTION
TM / 16 WHT	STEP COVER SWITCH	STEP COVER SOLENOID MOVES STEP OUT
TN / 14 YEL	STARTER SOLENOID BATTERY TERMINAL	ALTERNATOR REGULATOR
TP / 14 WHT	917R AUTOMOTIVE LAMPS(TURN, MARKER,ETC)	GROUND
TR / 14 YEL	VEHICLE BACK UP CIRCUIT FEED	BACK UP LAMPS
TS / 14 YEL	STARTER SOLENOID (I TERMINAL)	ENGINE WIRING (IGNITION MODULE)
TT / 14 YEL	NEUTRAL SAFETY SWITCH	STARTER SOLENOID (S TERMINAL)
TU / 14 WHT	IGNITION COIL RELAY (COIL)	GROUND
TW / 14 YEL	IGNITION SWITCH START/RUN FEED	IGNITION COIL

WIRE IDENTIFICATION CHART

CODE / COLOR	FROM:	TO:
TX / 14 YEL	IGNITION COIL RELAY (COMMON)	IGNITION COIL
TY / 14 YEL	ALTERNATOR (T TERMINAL)	CHOKE HEATER
UA / 14 YEL	FUEL PUMP FUSE	OIL PRESSURE CUTOFF SWITCH/ FUEL PUMP RELAY(NO),ETC
UB / 14 YEL	INERTIA SWITCH (FUEL PUMP SHUTOFF)	FUEL PUMP RELAY (NORMALLY CLOSED)
UC / 14 YEL	FUEL PUMP RELAY (COMMON)	FUEL PUMP
UD / 16 WHT	FUEL GAUGE	FUEL SENDER
UE / 14 YEL	INERTIA SWITCH (FUEL PUMP SHUTOFF)	OIL PRESSURE CUTOFF SWITCH
UF / 14 WHT	FUEL PUMP	GROUND
UG / 14 WHT	FUEL PUMP RELAY (COIL)	GROUND
UH / 16 YEL	LP DETECTOR (SHUTOFF SYSTEM,YEL)	LP SAFETY VALVE
UJ / 16 YEL	LP DETECTOR (SHUTOFF SYSTEM,YEL)	LP SAFETY SWITCH
UK / 16 WHT	LP DETECTOR (BLK)(REF WB)	GROUND
UL / 16 WHT	EUL LAMP	EUL MODULE
UM / 16 WHT	DOOR JAMB DOME LAMP SWITCH	GROUND
UN / 16 WHT	SEAT BELT LAMP	EUL MODULE
UP / 16 YEL	SEAT BELT LAMP	SEAT BELT BUZZER
UR / 16 WHT	PARK BRAKE SWITCH	PARK BRAKE LAMP
US / 16 YEL	OVERCURRENT PROTECTION (6A BREAKER TYPICAL)	COACH BATTERY FEED TO BATTERY CONDITION SWITCH
UT / 14 YEL	DOOR JAMB DOME LAMP SWITCH (SWITCH POSITIVE)	DOME LAMP
UU / 16 YEL	WATER HEATER	VACUUM VALVE SOLENOID
UW / 16 WHT	VACUUM VALVE SOLENOID	GROUND
UX / 16 YEL	LP DETECTOR #2 (SHUTOFF SYSTEM,YEL)	LP SAFETY VALVE
UY / 16 YEL	LP DETECTOR #2 (SHUTOFF SYSTEM,YEL)	LP SAFETY VALVE
WA / 14 YEL	EXTERIOR SERVICE LAMP SWITCH	EXTERIOR SERVICE LAMP
WB / 16 YEL	OVERCURRENT PROTECTION (6A BREAKER TYPICAL)	LP DETECTOR (REF UK)
WC / 14 YEL	DDVRCURRENT PROTECTION (15A BREAKER TYPICAL)	COMPARTMENT LAMPS (REF WE)
WD / 14 WHT	AISLE LAMPS	GROUND
WE / 14 WHT	COMPARTMENT LAMPS (REF WC)	GROUND
WF / 12YEL(WHT)	OVERCURRENT PROTECTION (30A BREAKER TYPICAL)	PARK BRAKE COMPRESSOR SOENOID
WG / 12YEL(BLK)	OVERCURRENT PROTECTION (30A BREAKER TYPICAL)	IGNITION RELAY
WH / 14 YEL	OVERCURRENT PROTECTION (15A BREAKER TYPICAL)	IGNITION SWITCH RUN ONLY FEED
WJ / 12 YEL	OVERCURRENT PROTECTION (20A BREAKER TYPICAL)	IGNITION SWITCH ACCESSORY FEED RELAY
WK / 14 YEL	OVERCURRENT PROTECTION (15A BREAKER TYPICAL)	IGNITION SWITCH ACCESSORY FEED
WL / 14 YEL	POWER DOOR LOCK RELAY (PIN 30)	POWER DOOR LOCK MOTOR(S) (LOCK)

05/29/10
REPORT 3593-1

WIRE IDENTIFICATION CHART

CODE / COLOR	FROM:	TO:
WM / 14 WHT	POWER DOOR UNLOCK RELAY (PIN 30)	POWER DOOR LOCK MOTOR(S) (UNLOCK)
WN / 16 YEL	RADIO POWER SWITCH (ACCESSORY POWER)	DASH RADIO (ACCESSORY POWER)
WP / 10 YEL	OVERCURRENT PROTECTION (25A BREAKER TYPICAL)	FRONT PANEL LOADS(INVERTER, RADIO)(96 M-SERIES)
WR / 14 YEL	OVERCURRENT PROTENTION (15A BREAKER TYPICAL)	POWER SEAT LIFT SWITCH
WS / 14 WHT	POWER SEAT LIFT SWITCH	GROUND
WT / 14 YEL	POWER SEAT LIFT SWITCH (UP)	MOTOR (POSITIVE UP)
WU / 14 WHT	POWER SEAT LIFT SWITCH (DOWN)	MOTOR (POSITIVE DOWN)
WW / 14 WHT	SPOT LAMP SWITCH	GROUND
WX / 14 YEL	HALLWAY CEILING LAMP SWITCH	HALLWAY CEILING LAMP
WY / 10 WHT	AUTOMOTIVE AIR CONDITIONER MOTOR	GROUND
XA / 12/10 YEL	VEHICLE AUTOMOTIVE AIR FEED CIRCUIT	AUTOMOTIVE AIR CONDITIONER BLOWER (USE 10 IF OVER 6')
XB / 14 YEL	DRIVER'S DOOR POWER WINDOW SWITCH(PIN 5)	DRIVER'S DOOR POWER WINDOW MOTOR(POSITIVE UP)
XC / 14 WHT	DRIVER'S DOOR POWER WINDOW SWITCH(PIN 1)	DRIVER'S DOOR POWER WINDOW MOTOR(POSITIVE DOWN)
XD / 16 WHT	MONITOR PANEL	HOLDING TANK LEVEL SENSOR (FULL)
XE / 16 WHT	MONITOR PANEL	HOLDING TANK LEVEL SENSOR (3/4)
XF / 16 WHT	MONITOR PANEL	HOLDING TANK LEVEL SENSOR (1/2)
XG / 16 WHT	MONITOR PANEL	HOLDING TANK LEVEL SENSOR (1/4)
XH / 16 YEL	MONITOR PANEL	WATER TANK LEVEL SENSOR
XJ / 16 YEL	MONITOR PANEL	BLACK HOLDING LEVEL SENSOR (MAIN TANK)
XK / 16 YEL	MONITOR PANEL	GRAY AUXILIARY HOLDING TANK #1 LEVEL SENSOR (AUX TANK #1)
XL / 16 YEL	MONITOR PANEL	GRAY AUXILIARY HOLDING TANK #2 LEVEL SENSOR (AUX TANK #2)
XM / 14 YEL	OVERCURRENT PROTECTION (18GA FUSELINK TYPICAL)	IGNITION START RELAY
XN / 16 YEL	FRONT ROOF AIR CONDITIONER (EXHAUST)	THERMOSTAT (EX TERMINAL)
XP / 16 YEL	FRONT ROOF AIR CONDITIONER (COOL)	THERMOSTAT (Y TERMINAL)(Y EXPORT AIR)
XR / 16 YEL	FRONT ROOF AIR CONDITIONER (HIGH SPEED BLOWER)	THERMOSTAT (GH TERMINAL)(H EXPORT AIR)
XS / 16 YEL	FRONT ROOF AIR CONDITIONER (LOW SPEED BLOWER)	THERMOSTAT (GL TERMINAL)(G EXPORT AIR)
XT / 14 YEL	IGNITION START RELAY #1 (NORMALLY CLOSED CONTACT)	IGNITION START RELAY #2 (COMMON CONTACT)
XU / 14 YEL	DINETTE OVHD LAMP SWITCH	DINETTE OVHD LAMP
XW / 14 WHT	IGNITION SWITCH ACCESSORY FEED RELAY CIRCUIT	GROUND
XX / 14 YEL	GALLEY LAMP SWITCH	GALLEY LAMP
XY / 14 YEL	MAKE UP LAMP #2 SWITCH	MAKE UP LAMP #2
YA / 14 YEL	TAG AXLE PRESSURE CONTROL SWITCH	COMPRESSOR SOLENOID/ SOLENOID AIR VALVE
YB / 14 WHT	LOW AIR PRESSURE SWITCH	GROUND
YC / 10YEL(BLU)	OVERCURRENT PROTECTION (30A BREAKER TYPICAL)	TAG AXLE COMPRESSOR SOLENOID

WIRE IDENTIFICATION CHART

CODE / COLOR	FROM:	TO:
YD / 14 WHT	TAG AXLE MOUNTING PLATE SCREW	GROUND
YE / 10 WHT	TAG AXLE COMPRESSOR	GROUND
YF / 12 WHT	TAG AXLE BRAKE CONTROL MODULE/BRAKE MAGNET	GROUND
YG / 12YEL(BLK)	OVERCURRENT PROTECTION (20A BREAKER TYPICAL)	TAG AXLE BRAKE CONTROL MODULE
YH / 12YEL(BLU)	TAG AXLE BRAKE CONTROL MODULE	TAG AXLE BRAKE MAGNET
YJ / 10YEL(WHT)	TAG AXLE COMPRESSOR SOLENOID	TAG AXLE COMPRESSOR
YK / 14 YEL	BEDROOM CEILING LAMP SWITCH#1 (2 SWITCH SYSTEM)	BEDROOM CEILING LAMP SWITCH #2 (2 SWITCH SYSTEM)
YL / 14 YEL	BEDROOM CEILING LAMP SWITCH #1 (2 SWITCH SYSTEM)	BEDROOM CEILING LAMP SWITCH #2 (2 SWITCH SYSTEM)
YM / 14 YEL	HALLWAY CEILING LAMP SWITCH #1 (2 SWITCH SYSTEM)	HALLWAY CEILING LAMP SWITCH #2 (2 SWITCH SYSTEM)
YN / 14 YEL	HALLWAY CEILING LAMP SWITCH #1 (2 SWITCH SYSTEM)	HALLWAY CEILING LAMP SWITCH #2 (2 SWITCH SYSTEM)
YP / 14 YEL	VALANCE LAMP SWITCH #1 (3 WAY SWITCH)	VALANCE LAMP SWITCH #2 (3 WAY SWITCH)
YR / 14 YEL	VALANCE LAMP SWITCH #1 (3 WAY SWITCH)	VALANCE LAMP SWITCH #2 (3 WAY SWITCH)
YS / 14 YEL	VALANCE LAMP SWITCH	VALANCE LAMP
YT / 14 YEL	FRONT VALANCE LAMP SWITCH	FRONT VALANCE LAMP
YU / 14 YEL	REAR VALANCE LAMP SWITCH	REAR VALANCE LAMP
YW / 14 WHT	DOOR BELL SWITCH	DOOR BELL
YX / 14 YEL	IGNITION SWITCH RUN/START FEED	ALTERNATOR WARNING LAMP
YY / 14 YEL	ALTERNATOR VOLTAGE REGULATOR	ALTERNATOR WARNING LAMP
AAA / 16 WHT	STEP COVER SWITCH (REF GX)	STEP COVER SOLENOID MOVES STEP IN
AAB / 14 YEL	DINETTE READING LAMPS	DINETTE READING LAMP SWITCH
AAC / 14 YEL	LOUNGE READING LAMPS	LOUNGE READING LAMP SWITCH
AAD / 14 YEL	FORD CHASSIS TRAILER MARKER LAMP CIRCUIT (BR/WHT)	TRAILER CONNECTOR SOCKET MARKER LAMPS
AAE / 14 YEL	FORD CHASSIS TRAILER BACKUP LAMP CIRCUIT (BLK/LT GRN)	TRAILER CONNECTOR SOCKET BACKUP LAMPS
AAF / 14 YEL	FORD CHASSIS TRAILER LEFT TURN/BRAKE LAMP CIRCUIT (YEL)	TRAILER CONNECTOR SOCKET LEFT TURN/BRAKE LAMP
AAG / 14 YEL	FORD CHASSIS TRAILER RIGHT TURN/BRAKE LAMP CIRCUIT (DKG)	TRAILER CONNECTOR SOCKET RIGHT TURN/BRAKE LAMP
AAH / 14 YEL	BATH-VENT,POWER	BATH-VENT, THERMOSTAT
AAJ / 14 YEL	BATH-VENT,POWER	BATH-VENT, THERMOSTAT
AAK / 16 WHT	SWITCH-WATER PUMP (MULTIPLEX SYSTEM)	LATCHING RELAY (WITH 4 OR MORE SWITCHES)
AAL / 16 WHT	SWITCH-WATER PUMP (MULTIPLEX SYSTEM)	GROUND
AAM / 14 YEL	CHASSIS SUPPLIED WIRE ASM (DARK BLUE)(GM)	RIGHT TAIL LAMP PARK (WIE)
AAN / 14 YEL	CHASSIS SUPPLIED WIRE ASM (PURPLE) (GM)	LEFT TAIL LAMP PARK (WIE)
AAP / 10 YEL	55 AMP BREAKER JUMPER WIRE	30 AMP BREAKER
AAR / 14 YEL	TV/RADIO SPEAKER FEED SELECTOR SWITCH	TV SPEAKER AMPLIFIER
AAS / 16 YEL	SPEAKER (NEGATIVE) SPEAKERS IN SERIES	SPEAKER (POSITIVE)

WIRE IDENTIFICATION CHART

CODE / COLOR	FROM:	TO:
AAT / 16 YEL	AMPLIFIER POSITIVE OUT (AAU NEGATIVE)	FRONT WOOFER (WITH DELUXE SOUND SYSTEM)
AAU / 16 WHT	AMPLIFIER NEGATIVE OUT (AAT POSITIVE)	FRONT WOOFER (WITH DELUXE SOUND SYSTEM)
AAW / 16 YEL	AMPLIFIER POSITIVE OUT (AAX NEGATIVE)	REAR WOOFER (WITH DELUXE SOUND SYSTEM)
AAX / 16 WHT	AMPLIFIER NEGATIVE OUT (AAW POSITIVE)	REAR WOOFER (WITH DELUXE SOUND SYSTEM)
AAZ / 12 YEL	SLIDEOUT ROOM CONTROL SWITCH (RAM #1)	SLIDEOUT DRIVE MOTOR LEAD #1
AAZ / 12 YEL	SLIDEOUT ROOM CONTROL SWITCH (RAM #1)	SLIDEOUT DRIVE MOTOR LEAD #2
BBA / 16 WHT	SLIDEOUT WIRING (PARK BRAKE SW)(SWITCHED GRD)	SLIDEOUT ROOM RELAY (GROUND TERMINAL)
BBB / 16 YEL	SLIDEOUT ROOM CIRCUIT BREAKER (6 AMP)	SLIDEOUT ROOM RELAY (PIN 86 & 87)
BBC / 16 YEL	LOAD SHEDDER MONITOR PANEL (RED WIRE)	LOAD SHEDDER CONTROL BOARD (RED WIRE)
BBD / 16 YEL	LOAD SHEDDER MONITOR PANEL (BLUE WIRE)	LOAD SHEDDER CONTROL BOARD (BLUE WIRE)
BBE / 16 YEL	LOAD SHEDDER MONITOR PANEL (BLACK WIRE)	LOAD SHEDDER CONTROL BOARD (BLACK WIRE)
BBF / 16 YEL	LOAD SHEDDER MONITOR PANEL (GRAY WIRE)	LOAD SHEDDER CONTROL BOARD (GRAY WIRE)
BBG / 14 YEL	DINETTE CEILING LAMP SWITCH	DINETTE CEILING LAMP
BBH / 16 YEL	REAR COMPRESSOR SIGNAL REAR THERMOSTAT	LOAD SHEDDER CONTROL BOARD
BBJ / 16 YEL	LOAD SHEDDER CONTROL BOARD	REAR A/C (COOL)
BBK / 12 WHT	JET AIR/TAG AXLE WIRING	GROUND, CHASSIS
BBL / 14 YEL	OVHD SWITCH	OVHD HALOGEN LAMPS
BBM / 16 YEL	SLIDEOUT ROOM SWITCH (ROOM TWO EXTEND)	HWH WIRING (ROOM TWO EXTEND)
BBN / 16 YEL	SLIDEOUT ROOM SWITCH (ROOM TWO RETRACT)	HWH WIRING (ROOM TWO RETRACT)
BBP / 14 YEL	ICC COURTESY BLINK SWITCH	ICC COURTESY BLINK RELAY
BBR / 14 YEL	ICC COURTESY BLINK RELAY	CLEARANCE LAMPS
BBS / 14 YEL	CHASSIS FUSE PANEL	ICC COURTESY BLINK RELAY
BBT / 14 YEL	DOCKING LAMP SWITCH TRIGGER RELAY	DOCKING LAMP SWITCH
BBU / 12 YEL	DOCKING LAMP CIRCUIT BREAKER	DOCKING LAMP RELAY
BBW / 14 YEL	VEHICLE LEFT HEADLAMP LOW BEAM CIRCUIT	LEFT LOW BEAM LAMP
BBX / 14 YEL	VEHICLE RIGHT HEADLAMP LOW BEAM CIRCUIT	RIGHT LOW BEAM LAMP
BBY / 14 YEL	SWITCH-MONITOR PANEL (IN EXT. WATER CENTER)	EXTERIOR MONITOR PANEL (IN EXT. WATER CENTER)
BBZ / 14 YEL	OVERCURRENT PROTECTION (15A FUSE/BREAKER TYPICAL)	AUXILIARY FURNACE (CCA)
CCA / 14 WHT	AUXILIARY FURNACE	GROUND
CCB / 16 YEL	EXTERIOR MONITOR PANEL	WATER TANK LEVEL SENSOR
CCC / 16 YEL	EXTERIOR MONITOR PANEL	MAIN HOLDING TANK LEVEL SENSOR
CCD / 16 YEL	EXTERIOR MONITOR PANEL	AUX HOLDING TANK LEVEL SENSOR
CCE / 14 YEL	COMPARTMENT LAMP SWITCH	COMPARTMENT LAMP
CCF / 14 YEL	COMPARTMENT LAMP SWITCH	COMPARTMENT LAMP

WIRE IDENTIFICATION CHART

CODE / COLOR	FROM:	TO:
CCG / 14 YEL	COMPARTMENT LAMP SWITCH	COMPARTMENT LAMP
CCH / 14 YEL	COMPARTMENT LAMP SWITCH	COMPARTMENT LAMP
CCJ / 14 YEL	COMPARTMENT LAMP SWITCH	COMPARTMENT LAMP
CCK / 14 YEL	COMPARTMENT LAMP SWITCH	COMPARTMENT LAMP
CCL / 14 YEL	COMPARTMENT LAMP SWITCH	COMPARTMENT LAMP
CCM / 14 YEL	COMPARTMENT LAMP SWITCH	COMPARTMENT LAMP
CCN / 16 YEL	THERMOSTATE LOW SPEED FAN SIGNAL	CENTRAL AIR AND LOAD SHEDDER
CCP / 16 YEL	LOAD SHEDDER COMPRESSOR TWO CONTROL RELAY	CENTRAL A/C COMPRESSOR TWO
CCR / 14 YEL	SWITCH-MONITOR PANEL (IN EXT. WATER CENTER)	EXTERIOR MONITOR PANEL (IN EXT. WATER CENTER)
CCS / 16 YEL	NOISE FILTER	RADIO POWER INPUT
CCT / 16 YEL	REAR RIGHT TV SPEAKER NEGATIVE,SERIES CONNECTION	REAR LEFT TV SPEAKER POSITIVE,SERIES CONNECTION
CCU / 14 YEL	GM DOME LAMP POWER	DOME LAMP
CCW / 12 YEL	DUAL MODE SOLENOID (CHASSIS SIDE)	FUSE HOLDER (30 AMP)
CCX / 16 YEL	ORG WIRE ON AIR COMPRESSOR	AIR PRESSURE SWITCH ON AIR TANK
CCY / 16 YEL	HWH WIRING (BATTERY POWER)	SLIDEOUT ROOM SWITCH (POSITIVE)
CCZ / 16 YEL	HWH WIRING (SWITCHED BATTERY POWER)	SLIDEOUT ROOM #1 SWITCH (POSITIVE)
DDA / 16 YEL	HWH WIRING (PUMP RELAY CONTROL)	SLIDEOUT ROOM SWITCH (POSITIVE)
DDB / 14 YEL	REAR AUTO HEATER CIRCUIT BREAKER	REAR AUTO HEATER RELAY (POWER)
DDC / 14 YEL	REAR AUTO HEATER RELAY (SWITCHED POWER)	REAR AUTO HEATER SWITCH (COMMON TERMINAL)
DDD / 14 YEL	MODULE-CHARGE CONTROL RELAY OUTPUT	AUX-START SOLENOID RELAY
DDE / 14 YEL	AUX-START SOLENOID RELAY	AUX-START SOLENOID
DDF / 10 YEL	HEATER BLOWER CIRCUIT BREAKER	HEATER BLOWER RELAY
DDG / 10 YEL	CIRCUIT BREAKER BUSS BAR	CHASSIS BATTERY FEED CIRCUIT BREAKER
DDH / 14 YEL	FREIGHTLINER RUN ONLY TRIGGER CIRCUIT	HEATER BLOWER RELAY
DDJ / 16 WHT	CHASSIS PARKING BRAKE TRIGGER CIRCUIT	LEVELING SYSTEM PARKING BRAKE SENSOR WIRE
DDK / 16 YEL	HWH WIRING (PUMP RELAY CONTROL)	REAR SLIDEOUT ROOM SWITCH (POSITIVE)
DDL / 14 WHT	FRONT LEFT AUTOMOTIVE LAMPS	GROUND
DDM / 14 WHT	FRONT RIGHT AUTOMOTIVE LAMPS	GROUND
DDN / 16 YEL	TIMER MODULE	CHECK ANTENNA LIGHT
DDP / 12 YEL	OVERCURRENT PROTECTION (20A BREAKER TYPICAL)	INVERTER FEED (INVERTER NUMBER 2)
DDR / 12 WHT	INVERTER (INVERTER NUMBER 2)	GROUND
DDS / 12 WHT	INVERTER CHASSIS (INVERTER NUMBER 2)	GROUND
DDT / 12 YEL	POWER COMPT DOOR LOCK RELAY (RIGHT SIDE)	POWER COMPT DOOR LOCK MOTOR(S) (RIGHT SIDE)
DDU / 12 WHT	POWER COMPT DOOR UNLOCK RELAY (RIGHT SIDE)	POWER COMPT LOCK MOTOR(S) (UNLOCK) (RIGHT SIDE)

WIRE IDENTIFICATION CHART

CODE / COLOR	FROM:	TO:
DDV / 12 YEL	POWER COMPT DOOR LOCK RELAY (LEFT SIDE)	POWER COMPT LOCK MOTOR(S) (LOCK) (LEFT SIDE)
DDW / 12 WHT	POWER COMPT DOOR UNLOCK RELAY (LEFT SIDE)	POWER COMPT LOCK MOTOR(S) (UNLOCK) (LEFT SIDE)
DDX / 12 YEL	OVERCURRENT PROTECTION (20A BREAKER TYPICAL)	POWER COMPT DOOR LOCK/ UNLOCK RELAY (RIGHT SIDE)
DDY / 12 YEL	OVERCURRENT PROTECTION (20A BREAKER TYPICAL)	POWER COMPT DOOR LOCK/ UNLOCK RELAY (LEFT SIDE)
DDZ / 12 YEL	POWER COMPT DOOR LOCK SWITCH (LOCK) (PIN 1)	POWER COMPT DOOR LOCK RELAY (PIN 86)
EEA / 12 WHT	POWER COMPT DOOR LOCK SWITCH (UNLOCK) (PIN 5)	POWER COMPT DOOR UNLOCK RELAY (PIN 86)
EEB / 12 WHT	POWER COMPT DOOR LOCK RELAYS (LEFT SIDE)	GROUND
EEC / 12 YEL	25 AMP BREAKER IN 12 VOLT PANEL	SOFA RECLINER SWITCH SOFA 4-WAY RECLINER
EED / 12 WHT	SOFA RECLINER SWITCH SOFA 4-WAY RECLINER	GROUND
EEE / 14 YEL	OVERCURRENT PROTECTION (15A BREAKER TYPICAL)	12V POWER JACK
EEF / 14 WHT	12V POWER JACK	GROUND
EEG / 12 WHT	POWER COMPT DOOR LOCK RELAYS (RIGHT SIDE)	GROUND
EEH / 12 YEL	SOFA RECLINER SWITCH EXTEND	SOFA RECLINER MOTOR SOFA 4-WAY
EEJ / 12 YEL	SOFA RECLINER SWITCH RETRACT	SOFA RECLINER MOTOR SOFA 4-WAY
EEK / 18 YEL	AUDIO AMPLIFIER	LH FRT SPKR (+)
EEL / 18 WHT	AUDIO AMPLIFIER	LH FRT SPKR (-)
EEM / 18 YEL	AUDIO AMPLIFIER	RH FRT SPKR (+)
EEN / 18 WHT	AUDIO AMPLIFIER	RH FRT SPKR (-)
EEP / 18 YEL	AUDIO AMPLIFIER	LH RR SPKR (+)
EER / 18 WHT	AUDIO AMPLIFIER	LH RR SPKR (-)
EES / 18 YEL	AUDIO AMPLIFIER	RH RR SPKR (+)
EET / 18 WHT	AUDIO AMPLIFIER	RH RR SPKR (-)
EEU / 18 YEL	RADIO AMPLIFIER	CTR CHANNEL SPKR (+)
EEW / 18 WHT	AUDIO AMPLIFIER	CTR CHANNEL SPKR (-)
EEX / 12/10 YEL	PASSENGER AUTO A/C FEED CIRCUIT	PASSENGER AUTO A/C BLOWER (USE 10 IF OVER 6')
EYY / 10 WHT	PASSENGER AUTO A/C MOTOR	GROUND
EEZ / 12/10 YEL	OVERCURRENT PROTECTION (30A BREAKER TYPICAL)	PASSENGER HI-SPEED HEATER FAN (USER 10 IF OVER 6')
FFA / 10 YEL	PASSENGER HEATER BLOWER CIRCUIT BREAKER	PASSENGER HEATER BLOWER RELAY
FFB / 10 YEL	OVERCURRENT PORTECTION (30A BREAKER TYPICAL)	POWER LOUNGE CHAIR
FFC / 10 WHT	POWER LOUNGE CHAIR	GROUND
FFD / 12 YEL	OVERCURRENT PROTECTION (30A BREAKER TYPICAL)	AWNING CONTROL BOX (12V POSITIVE)
FFE / 12 WHT	AWNING CONTROL BOX	GROUND
FFF / 12 YEL	AWNING CONTROL BOX	DOOR AWNING (+) EXTEND
FFG / 12 WHT	AWNING CONTROL BOX	DOOR AWNING (-) EXTEND

WIRE IDENTIFICATION CHART

CODE / COLOR	FROM:	TO:
FFH / 12 YEL	AWNING CONTROL BOX	PATIO AWNING (MOTOR POSITIVE)
FFJ / 12 WHT	PATIO AWNING (MOTOR GROUND)	AWNING CONTROL BOX
FFK / 16 YEL	AWNING CONTROL BOX	DOOR AWNING SWITCH (EXTEND)
FFL / 16 YEL	DOOR AWNING SWITCH (COMMON)	AWNING CONTROL BOX
FFM / 16 YEL	AWNING CONTROL BOX	DOOR AWNING SWITCH (RETRACT)
FFN / 12/16 YEL	AWNING CONTROL BOX	PATIO AWNING SWITCH (EXTEND)
FFP / 16 YEL	PATIO AWNING SWITCH (COMMON)	AWNING CONTROL BOX
FFR / 12/16 YEL	AWNING CONTROL BOX	PATIO AWNING SWITCH (RETRACT)
FFS / 14 WHT	RELAY (PIN 30)	AWNING CONTROL BOX
FFT / 12 YEL	PATIO AWNING SWITCH	AWNING CONTROL BOX
FFU / 16 YEL	AWNING SELECTOR SWITCH (DOOR AWNING)	AWNING CONTROL SWITCH (DOOR AWNING)
FFV / 16 YEL	AWNING SELECTOR SWITCH (PATIO AWNING)	AWNING CONTROL SWITCH (PATIO AWNING)
FFW / 14 YEL	LOUNGE LAMPS SWITCH #1	LOUNGE LAMPS SWITCH #2
FFX / 14 YEL	LOUNGE LAMPS SWITCH #1	LOUNGE LAMPS SWITCH #2
FFY / 14 YEL	CEILING FAN SWITCH	CEILING FAN
FFZ / 14 YEL	OVERCURRENT PROTECTION (15A FUSE/BREAKER TYPICAL)	COACH LIGHTING,ETC CIRCUIT #7 (REF GGA)
GGA / 14 WHT	COACH LIGHTING (REF-FFZ)	GROUND
GGB / 14 YEL	POWER LIFT VENT	POWER LIFT SWITCH (UP)
GGC / 14 YEL	POWER LIFT VENT	POWER LIFT SWITCH (DOWN)
GGD / 16 YEL	CONTROL MODULE (LEFT FRONT SLIDE)(STOP)	SLIDEOUT SWITCH (LEFT FRONT SLIDE)
GGE / 16 YEL	CONTROL MODULE (LEFT FRONT SLIDE)(GREEN LED)	SLIDEOUT SWITCH (LEFT FRONT SLIDE)
GGF / 16 YEL	CONTROL MODULE (LEFT FRONT SLIDE)(RED LED)	SLIDEOUT SWITCH (LEFT FRONT SLIDE)
GGG / 16 YEL	CONTROL MODULE (LEFT FRONT SLIDE)(SIGNAL)	LEFT FRONT SLIDE,FRONT RAM (ENCODER)
GGH / 16 YEL	CONTROL MODULE (LEFT FRONT SLIDE)(+)	LEFT FRONT SLIDE,FRONT RAM (ENCODER)
GGJ / 16 WHT	CONTROL MODULE (LEFT FRONT SLIDE)(-)	LEFT FRONT SLIDE,FRONT RAM (ENCODER)
GGK / 16 YEL	CONTROL MODULE (LEFT FRONT SLIDE)(SIGNAL)	LEFT FRONT SLIDE,REAR RAM (ENCODER)
GGL / 16 YEL	CONTROL MODULE (LEFT FRONT SLIDE)(+)	LEFT FRONT SLIDE,REAR RAM (ENCODER)
GGM / 16 WHT	CONTROL MODULE (LEFT FRONT SLIDE)(-)	LEFT FRONT SLIDE,REAR RAM (ENCODER)
GGN / 12 YEL	CONTROL MODULE (RAM #2)	SLIDEOUT ACTUATOR DRIVE LEAD #1
GGP / 12 YEL	CONTROL MODULE (RAM #2)	SLIDEOUT ACTUATOR DRIVE LEAD #2
GGR / 16 YEL	FRONT ROOF HEAT PUMP	THERMOSTAT (W TERMINAL)
GGS / 16 YEL	REAR ROOF HEAT PUMP	THERMOSTAT (W TERMINAL)
GGT / 12 YEL	SOFA RECLINER SWITCH EXTEND	SOFA RECLINER MOTOR SOFA 4-WAY
GGU / 12 YEL	SOFA RECLINER SWITCH RETRACT	SOFA RECLINER MOTOR SOFA 4-WAY

05/29/10
REPORT 3593-1

WIRE IDENTIFICATION CHART

CODE / COLOR	FROM:	TO:
GGV / 14 WHT	GPS (BLACK WIRE)	GROUND
GGW / 16 YEL	GPS (GREEN/WHITE WIRE)	VEHICLE SPEED SENSOR (CHASSIS SUPPLIED)
GGX / 14 YEL	10 OHM RESISTOR *	BEDROOM CEILING FAN (LOW SPEED)
GGY / 14 YEL	BATHROOM VENT SWITCH	BATHROOM VENT
GGZ / 14 YEL	BEDROOM VENT SWITCH	BEDROOM VENT
HHA / 14 YEL	OVERCURRENT PROTECTION (15A FUSE/BREAKER TYPICAL)	COACH VENTS/LAMPS (REF HHB)
HHB / 14 WHT	COACH VENTS/LAMPS (REF HHA)	GROUND
HHC / 12 YEL	STEP COVER SWITCH	STEP COVER MOTOR (+)RETRACT, (-)EXTEND
HHD / 12 YEL	STEP COVER SWITCH	STEP COVER MOTOR (-)EXTEND, (+)RETRACT
HHE / 16 YEL	SLIDEOUT ROOM SWITCH (ROOM THREE EXTEND)	HWH WIRING (ROOM THREE EXTEND)
HHF / 16 YEL	SLIDEOUT ROOM SWITCH (ROOM THREE RETRACT)	HWH WIRING (ROOM THREE RETRACT)
HHG / 16 YEL	SLIDEOUT ROOM SWITCH (ROOM FOUR EXTEND)	HWH WIRING (ROOM FOUR EXTEND)
HHH / 16 YEL	SLIDEOUT ROOM SWITCH (ROOM FOUR RETRACT)	SLIDEOUT ROOM SWITCH (ROOM FOUR RETRACT)
HHJ / 14 YEL	110V WATER HEATER TRIGGER SWITCH	WATER HEATER RELAY (110V ELECTRIC TRIGGER)
HHK / 14 YEL	DRIVER'S POWER SUNVISOR SWITCH	DRIVER'S POWER SUNVISOR
HHL / 14 YEL	DRIVER'S POWER SUNVISOR SWITCH	DRIVER'S POWER SUNVISOR
HHM / 14 YEL	PASS POWER SUNVISOR SWITCH	PASS POWER SUNVISOR
HHN / 14 YEL	PASS POWER SUNVISOR SWITCH	PASS POWER SUNVISOR
HHP / 14 YEL	HOT WATER HEAT CONTROL BOARD (F1)	ZONE 1 FAN SPEED SWITCH
HHR / 14 YEL	ZONE 1 FAN SPEED SWITCH	ZONE 1 HEATER FAN
HHS / 16 YEL	HOT WATER HEAT CONTROL BOARD (TC)	ZONE 2 & 3 THERMOSTAT
HHT / 16 YEL	HOT WATER HEAT CONTROL BOARD (T2)	ZONE 2 THERMOSTAT
HHU / 14 YEL	HOT WATER HEAT CONTROL BOARD (F2)	ZONE 2 FAN SPEED SWITCH
HHV / 14 YEL	ZONE 2 FAN SPEED SWITCH	ZONE 2 HEATER FAN
HHW / 16 YEL	HOT WATER HEAT CONTROL BOARD (T3)	ZONE 3 THERMOSTAT
HHX / 14 YEL	HOT WATER HEAT CONTROL BOARD (F3)	ZONE 3 HEATER FAN
HHY / 16 WHT	AWNING CONTROL BOX	WIND SENSOR (NEGATIVE)
HHZ / 16 YEL	AWNING CONTROL BOX	WIND SENSOR (POSITIVE)
JJA / 16 YEL	AWNING CONTROL BOX	WIND SENSOR TEMPERATURE OUTPUT
JJB / 16 YEL	AWNING CONTROL BOX	WIND SENSOR SPEED OUTPUT
JJC / 14 YEL	ENGINE HEATER CIRCULATING PUMP SWITCH	HOT WATER HEAT CONTROL PANEL (BLU/BLK WIRE)
JJD / 10 YEL	OVERCURRENT PROTECTION (25 FUSE TYPICAL)	HOT WATER HEAT CONTROL BOARD
JJE / 10 WHT	HOT WATER HEAT CONTROL BOARD	GROUND
JJF / 14 YEL	SATELLITE POWER SWITCH	SATELLITE-AUTO SEEK

WIRE IDENTIFICATION CHART

CODE / COLOR	FROM:	TO:
JJG / 12 YEL	OVERCURRENT PROTECTION (20 AMP BREAKER TYPICAL)	SLIDEOUT ROOM CONTROL SWITCH (RAM #3)
JJH / 12 WHT	SLIDEOUT ROOM CONTROL SWITCH (RAM #3)	GROUND
JJJ / 12 YEL	SLIDEOUT ROOM CONTROL SWITCH (RAM #3)	SLIDEOUT DRIVE MOTOR LEAD #1
JJK / 12 YEL	SLIDEOUT ROOM CONTROL SWITCH (RAM #3)	SLIDEOUT DRIVE MOTOR LEAD #2
JJL / 12 YEL	OVERCURRENT PROTECTION (20 AMP BREAKER TYPICAL)	SLIDEOUT ROOM CONTROL SWITCH (RAM #2)
JJM / 16 YEL	HWH WIRING (SWITCHED BATTERY POWER)	SLIDEOUT ROOM SWITCH #2 (SWITCHED EXTEND/RETRACT PWR)
JJN / 16 YEL	HWH WIRING (SWITCHED BATTERY POWER)	SLIDEOUT ROOM SWITCH #3 (SWITCHED EXTEND/RETRACT PWR)
JJP / 16 YEL	HWH WIRING (SWITCHED BATTERY POWER)	SLIDEOUT ROOM SWITCH #4 (SWITCHED EXTEND/RETRACT PWR)
JJR / 12/16 YEL	REMOTE SWITCH (EXTEND)	PATIO AWNING CONTROL MODULE (RELAY POSITION 87A,EXTEND)
JJS / 12 YEL	REMOTE SWITCH	DOOR AWNING CONTROL RELAY (RELAY POSITION 87A,EXTEND)
JJT / 14 YEL	OVERCURRENT PROTECTION (15A FUSE/BREAKER TYPICAL)	COACH 12V RECEPTACLES (REF JJU)
JJU / 14 WHT	COACH 12V RECEPTACLES (REF JJT)	GROUND
JJV / 14 YEL	MONITOR PANEL LAMP SWITCH	MONITOR PANEL LAMP
JJW / 14 YEL	RUN ONLY POWER BREAKER	RUN ONLY POWER RELAY
JJX / 14 YEL	RUN ONLY POWER RELAY	GENERAL PURPOSE (RUN ONLY FEED)
JJY / 14 YEL	RUN/ACC POWER #1 BREAKER	RUN/ACC POWER #1 RELAY
JJZ / 14 YEL	RUN/ACC POWER #1 RELAY (REF LLD)	GENERAL PURPOSE (RUN/ACC FEED #1)
KKA / 14 YEL	RUN/ACC POWER #2 BREAKER	RUN/ACC POWER #2 RELAY
KKB / 14 YEL	RUN/ACC POWER #2 RELAY (REF LLE)	GENERAL PURPOSE (RUN/ACC FEED #2)
KKC / 12 YEL	POWER SEAT RELAY	POWER SEAT (HEATER)
KKD / 16 YEL	CONFIRMATION EMERGENCY SHUT OFF SWITCH (IN COACH)	EMERGENCY SHUT OFF SWITCH (ON REMOTE FILL BRACKET)
KKE / 16 YEL	EMERGENCY SHUT OFF SWITCH (ON REMOTE FILL BRACKET)	EMERGENCY SHUT OFF SOLENOID (ON LP TANK)
KKF / 6 BLK	BATTERY DISCONNECT RELAY	COACH BUSS BAR
KKG / 8 BLK	BATTERY MODE SOLENOID	CHASSIS BUSS BAR
KKH / 14 YEL	EXTERIOR SERVICE LAMP SWITCH #1	EXTERIOR SERVICE LAMP SWITCH #2
KKJ / 14 YEL	EXTERIOR SERVICE LAMP SWITCH #1	EXTERIOR SERVICE LAMP SWITCH #2
KKK / 16 YEL	HWH WIRING (SWITCHED BATTERY POWER)	SLIDEOUT ROOM #2 SWITCH (POSITIVE)
KKL / 16 YEL	HWH WIRING (SWITCHED BATTERY POWER)	SLIDEOUT ROOM #3 SWITCH (POSITIVE)
KKM / 16 YEL	HWH WIRING (SWITCHED BATTERY POWER)	SLIDEOUT ROOM #4 SWITCH (POSITIVE)
KKN / 14 YEL	KEYLESS ENTRY PORCH LIGHT OUTPUT	PORCH/STEP/MAP LAMP
KKP / 14 YEL	LOUNGE CEILING ROPE LAMP SWITCH (CIRCUIT #1)	LOUNGE CEILING ROPE LAMP (REF CIRCUIT SSZ)
KKR / 14 YEL	BEDROOM/BATHROOM CEILING LAMP SWITCH	BEDROOM/BATHROOM CEILING LAMP
KKS / 14 YEL	BEDROOM VALANCE LAMP SWITCH	BEDROOM VALANCE LAMP
KKT / 14 YEL	BEDROOM "MOOD" LAMP SWITCH	BEDROOM "MOOD" LAMP

WIRE IDENTIFICATION CHART

CODE / COLOR	FROM:	TO:
KKU / 16 YEL	REAR TV SPEAKER OUTPUT (RIGHT POSITIVE)	RIGHT SPEAKER (POSITIVE)
KKV / 16 WHT	REAR TV SPEAKER OUTPUT (RIGHT NEGATIVE)	RIGHT SPEAKER (NEGATIVE)
KKW / 16 YEL	REAR TV SPEAKER OUTPUT (LEFT POSITIVE)	LEFT SPEAKER (POSITIVE)
KKX / 16 WHT	REAR TV SPEAKER OUTPUT (LEFT NEGATIVE)	LEFT SPEAKER (NEGATIVE)
KKY / 14 YEL	OVERCURRENT PROTECTION (15A FUSE/BREAKER TYPICAL)	COACH LIGHTING,ETC CIRCUIT #8 (REF KKZ)
KKZ / 14 WHT	COACH LIGHTING (REF KKY)	GROUND
LLA / 14 YEL	OVERCURRENT PROTECTION (15A FUSE/BREAKER TYPICAL)	COACH LIGHTING,ETC CIRCUIT #9 (REF LLB)
LLB / 14 WHT	COACH LIGHTING (REF LLA)	GROUND
LLC / 14 YEL	SEAT HEATER BREAKER (15 AMP BREAKER TYPICAL)	SEAT HEATER RELAY POSITION 30
LLD / 14 WHT	RUN/ACC FEED #1 (REF JJZ)	GROUND
LLE / 14 WHT	RUN/ACC FEED #2 (REF KKB)	GROUND
LLF / 14 YEL	DOME LAMP RELAY	DOME LAMP
LLG / 10/12 YEL	TRAILER BRAKE SIGNAL (OUTPUT FROM CONTROLLER)	TRAILER CONNECTOR (ELECTRIC BRAKES)
LLH / 14 WHT	RUN ONLY GROUND SOURCE (CHASSIS SUPPLIED)	AUX START RELAY
LLJ / 14 YEL	AUX START RELAY (RUN ONLY POWER)	AUX START SWITCH
LLK / 10 YEL	CHASSIS BREAKER PANEL (LH FRT SLIDE)(FRT RAM)	CONTROL MODULE (LH FRT SLIDE)
LLL / 10 WHT	CHASSIS GROUND BAR (LH FRT SLIDE)(FRT RAM)	CONTROL MODULE (LH FRT SLIDE)
LLM / 10 YEL	CHASSIS BREAKER PANEL (LH FRT SLIDE)(REAR RAM)	CONTROL MODULE (LH FRT SLIDE)
LLN / 10 WHT	CHASSIS GROUND BAR (LH FRT SLIDE)(REAR RAM)	CONTROL MODULE (LH FRT SLIDE)
LLP / 10 YEL	CHASSIS BREAKER PANEL (REAR SLIDE RAM)	CONTROL MODULE (REAR SLIDE)
LLR / 10 WHT	CHASSIS GROUND BAR (REAR SLIDE RAM)	CONTROL MODULE (REAR SLIDE)
LLS / 10 YEL	CONTROL MODULE (LEFT FRONT SLIDE)	LT FRT SLIDE FRT RAM (MOTOR DRIVE LINE)
LLT / 10 YEL	CONTROL MODULE (LEFT FRONT SLIDE)	LT FRT SLIDE FRT RAM (MOTOR DRIVE LINE)
LLU / 10 YEL	CONTROL MODULE (LEFT FRONT SLIDE)	LT FRT SLIDE RR RAM (MOTOR DRIVE LINE)
LLV / 10 YEL	CONTROL MODULE (REAR SLIDE)	REAR SLIDEOUT RAM (MOTOR DRIVE LINE)
LLW / 10 YEL	CONTROL MODULE (LEFT FRONT SLIDE)	LT FRT SLIDE RR RAM (MOTOR DRIVE LINE)
LLX / 10 YEL	CONTROL MODULE (REAR SLIDE)	REAR SLIDEOUT RAM (MOTOR DRIVE LINE)
LLY / 16 WHT	CONTROL MODULE (REAR SLIDE)(GROUND)	SLIDEOUT SWITCH (REAR SLIDEOUT)
LLZ / 16 YEL	CONTROL MODULE (REAR SLIDE)(RETRACT)	SLIDEOUT SWITCH (REAR SLIDEOUT)
MMA / 16 YEL	CONTROL MODULE (REAR SLIDE)(STOP)	SLIDEOUT SWITCH (REAR SLIDEOUT)
MMB / 16 YEL	CONTROL MODULE (REAR SLIDE)(GREEN LED)	SLIDEOUT SWITCH (REAR SLIDEOUT)
MMC / 16 YEL	CONTROL MODULE (REAR SLIDE)(EXTEND)	SLIDEOUT SWITCH (REAR SLIDEOUT)
MMD / 16 YEL	CONTROL MODULE (REAR SLIDE)(RED LED)	SLIDEOUT SWITCH (REAR SLIDEOUT)
MME / 10 YEL	CHASSIS SIDE OF SOLENOID (FRT LT/REAR SLIDE RAMS)	BREAKER PANEL BUSS BAR (FRT LT/REAR SLIDE RAMS)

WIRE IDENTIFICATION CHART

CODE / COLOR	FROM:	TO:
MMF / 10 YEL	CHASSIS SIDE OF SOLENOID (FRT RT SLIDE RAMS)	BREAKER PANEL BUSS BAR (FRT RT SLIDE RAMS)
MMG / 10 YEL	CHASSIS SIDE OF SOLENOID (REAR SLIDE RAM)	BREAKER PANEL (REAR SLIDE RAM)
MMH / 16 YEL	OVERCURRENT PROTECTION (6 AMP BREAKER TYPICAL)	POWER SUNVISOR SWITCH
MMJ / 16 WHT	GROUND	POWER SUNVISOR SWITCH
MMK / 16 YEL	BEDROOM STEREO (LEFT SPEAKER REF)	CROSS OVER BOX (POSITIVE)
MML / 16 WHT	BEDROOM STEREO (LEFT SPEAKER REF)	CROSS OVER BOX (NEGATIVE)
MMM / 16 YEL	BEDROOM STEREO (RIGHT SPEAKER REF)	CROSS OVER BOX (POSITIVE)
MMN / 16 WHT	BEDROOM STEREO (RT SPKR/WOOFER REF)	CROSS OVER BOX (NEGATIVE)
MMP / 16 YEL	CROSS OVER COIL (POSITIVE)	SUBWOOFER (BEDROOM)
MMR / 14 YEL	CHASSIS TOW MARKER LAMPS CIRCUIT	TRAILER CONNECTOR (TAIL/MARKER LAMPS)
MMS / 12 YEL	+12V	PASSENGER AC/HEATER CONTROLS
MMT / 12 YEL	PASSENGER FAN SWITCH (LOW SPEED)	PASSENGER FAN
MMU / 12 YEL	PASSENGER FAN SWITCH (MED SPEED)	PASSENGER FAN
MMV / 12 YEL	PASSENGER FAN SWITCH (HIGH SPEED)	PASSENGER FAN
MMW / 16 YEL	+12V	PASSENGER CONTROL PANEL LAMPS
MMX / 16 WHT	PASSENGER CONTROL PANEL LAMPS	GROUND
MMY / 16 WHT	PASSENGER TEMP AND VENT CONTROL	GROUND
MMZ / 12 YEL	SLIDEOUT ROOM CONTROL SWITCH (RAM #1)	SLIDEOUT DRIVE MOTOR LEAD #1
NNA / 12 YEL	SLIDEOUT ROOM CONTROL SWITCH (RAM #1)	SLIDEOUT DRIVE MOTOR LEAD #2
NNB / 16 YEL	CONTROL MODULE (FRONT SLIDE) (SIGNAL)	FRONT SLIDE FRONT RAM (ENCODER)
NNC / 16 YEL	CONTROL MODULE (FRONT SLIDE) (+)	FRONT SLIDE FRONT RAM (ENCODER)
NND / 16 WHT	CONTROL MODULE (FRONT SLIDE) (-)	FRONT SLIDE FRONT RAM (ENCODER)
NNE / 16 YEL	CONTROL MODULE (FRONT SLIDE) (SIGNAL)	FRONT SLIDE REAR RAM (ENCODER)
NNF / 16 YEL	CONTROL MODULE (FRONT SLIDE) (+)	FRONT SLIDE REAR RAM (ENCODER)
NNG / 16 WHT	CONTROL MODULE (FRONT SLIDE) (-)	FRONT SLIDE REAR RAM (ENCODER)
NNH / 12 YEL	CONTROL MODULE (RAM #2)	SLIDEOUT ACTURATOR DRIVE LEAD #1
NNJ / 12 YEL	CONTROL MODULE (RAM #2)	SLIDEOUT ACTURATOR DRIVE LEAD #2
NNK / 16 YEL	KEYLESS ENTRY TOUCH PAD SIGNAL	ENTRANCE DOOR TOUCH PAD
NNL / 16 YEL	PASSENGER TEMP CONTROL (CONTROL OUT)	PASSENGER AC/HEATER
NNM / 16 YEL	PASSENGER VENT CONTROL (CONTROL OUT)	PASSENGER VENT
NNN / 16 YEL	CONTROL MODULE (RIGHT FRONT SLIDE)(STOP)	SLIDEOUT SWITCH (RIGHT FRONT SLIDE)
NNP / 16 YEL	CONTROL MODULE (RIGHT FRONT SLIDE)(GREEN LED)	SLIDEOUT SWITCH (RIGHT FRONT SLIDE)
NNR / 16 YEL	CONTROL MODULE (RIGHT FRONT SLIDE)(RED LED)	SLIDEOUT SWITCH (RIGHT FRONT SLIDE)
NNS / 16 WHT	CONTROL MODULE (RIGHT FRONT SLIDE)(GROUND)	SLIDEOUT SWITCH (RIGHT FRONT SLIDEOUT)

WIRE IDENTIFICATION CHART

CODE / COLOR	FROM:	TO:
NNT / 16 YEL	CONTROL MODULE (RIGHT FRONT SLIDE)(SIGNAL)	RIGHT FRONT SLIDE,FRONT RAM (ENCODER)
NNU / 16 YEL	CONTROL MODULE (RIGHT FRONT SLIDE)(+)	RIGHT FRONT SLIDE,FRONT RAM (ENCODER)
NNV / 16 WHT	CONTROL MODULE (RIGHT FRONT SLIDE)(-)	RIGHT FRONT SLIDE,FRONT RAM (ENCODER)
NNW / 16 YEL	CONTROL MODULE (RIGHT FRONT SLIDE)(SIGNAL)	RIGHT FRONT SLIDE,REAR RAM (ENCODER)
NNX / 16 YEL	CONTROL MODULE (RIGHT FRONT SLIDE)(+)	RIGHT FRONT SLIDE,REAR RAM (ENCODER)
NNY / 16 WHT	CONTROL MODULE (RIGHT FRONT SLIDE)(-)	RIGHT FRONT SLIDE,REAR RAM (ENCODER)
NNZ / 10 YEL	CHASSIS BREAKER PANEL (RH FRT SLIDE)(FRT RAM)	CONTROL MODULE (RIGHT FRONT SLIDE)
PPA / 10 WHT	CHASSIS GROUND BAR (RH FRT SLIDE)(FRT RAM)	CONTROL MODULE (RIGHT FRONT SLIDE)
PPB / 10 YEL	CHASSIS BREAKER PANEL (RH FRT SLIDE)(REAR RAM)	CONTROL MODULE (RIGHT FRONT SLIDE)
PPC / 10 WHT	CHASSIS GROUND BAR (RH FRT SLIDE)(REAR RAM)	CONTROL MODULE (RIGHT FRONT SLIDE)
PPD / 10 YEL	CONTROL MODULE (RIGHT FRONT SLIDE)	RH FRT SLIDE FRT RAM (MOTOR DRIVE LINE)
PPE / 10 YEL	CONTROL MODULE (RIGHT FRONT SLIDE)	RH FRT SLIDE FRT RAM (MOTOR DRIVE LINE)
PPF / 10 YEL	CONTROL MODULE (RIGHT FRONT SLIDE)	RH FRT SLIDE RR RAM (MOTOR DRIVE LINE)
PPG / 10 YEL	CONTROL MODULE (RIGHT FRONT SLIDE)	RH FRT SLIDE RR RAM (MOTOR DRIVE LINE)
PPH / 14 YEL	CHASSIS CLEARANCE LAMPS CRT #2 (REF MM)	CLEARANCE/MARKER LAMPS
PPJ / 14 YEL	PASSENGER SUNVISOR SWITCH DRIVER'S SIDE	PASSENGER SUNVISOR SWITCH PASSENGER'S SIDE
PPK / 14 YEL	PASSENGER SUNVISOR SWITCH DRIVER'S SIDE	PASSENGER SUNVISOR SWITCH PASSENGER'S SIDE
PPL / 14 YEL	DASH RADIO ACCESSORY POWER	TV/RADIO SPEAKER SELECTOR SWITCH
PPM / 12 YEL	OVERCURRENT PROTECTION (15A BREAKER TYPICAL)	LEFT FRONT SLIDEOUT LOCK SWITCH
PPN / 12 WHT	LEFT FRONT SLIDEOUT LOCK SWITCH (REF PPM)	GROUND
PPP / 12 YEL	OVERCURRENT PROTECTION (15A BREAKER TYPICAL)	RIGHT FRONT SLIDEOUT LOCK SWITCH
PPR / 12 WHT	RIGHT FRONT SLIDEOUT LOCK SWITCH (REF PPP)	GROUND
PPS / 12 YEL	LEFT FRONT SLIDEOUT LOCK SWITCH	LEFT FRONT SLIDEOUT LOCK MOTOR
PPT / 12 YEL	LEFT FRONT SLIDEOUT LOCK SWITCH	LEFT FRONT SLIDEOUT LOCK MOTOR
PPU / 12 YEL	RIGHT FRONT SLIDEOUT LOCK SWITCH	RIGHT FRONT SLIDEOUT LOCK MOTOR
PPV / 12 YEL	RIGHT FRONT SLIDEOUT LOCK SWITCH	RIGHT FRONT SLIDEOUT LOCK MOTOR
PPW / 14 YEL	SLIDEOUT LOCK SWITCH W/SLIDEOUT SWITCH #1 IN DASH	SLIDEOUT ROOM #1 SWITCH (POSITIVE)
PPX / 14 YEL	SLIDEOUT LOCK SWITCH W/SLIDEOUT SWITCH #3 IN DASH	SLIDEOUT ROOM #3 SWITCH (POSITIVE)
PPY / 14 YEL	SLIDEOUT LOCK SWITCH W/SLIDEOUT SWITCH #4 IN DASH	SLIDEOUT ROOM #4 SWITCH (POSITIVE)
PPZ / 12 YEL	CHASSIS SUPPLIED WIRING	TRAILER TOW BATTERY FEED (7 WAY TOW CONNECTOR)
RRA / 14 YEL	GENERAL SWITCH	GENERAL LAMP
RRB / 14 YEL	GENERAL SWITCH	GENERAL LAMP
RRC / 14 YEL	GENERAL SWITCH	GENERAL LAMP
RRD / 14 YEL	GALLEY CEILING FAN SWITCH	GALLEY CEILING FAN

WIRE IDENTIFICATION CHART

CODE / COLOR	FROM:	TO:
RRE / 14 YEL	10 OHM RESISTOR	LOUNGE CEILING FAN (LOW SPEED)
RRF / 14 YEL	BEDROOM READING LAMP SWITCH	BEDROOM READING LAMP
RRG / 14 YEL	BEDROOM READING LAMP SWITCH #1 (2 SWITCH SYSTEM)	BEDROOM READING LAMP SWITCH #2 (2 SWITCH SYSTEM)
RRH / 14 YEL	BEDROOM READING LAMP SWITCH #1 (2 SWITCH SYSTEM)	BEDROOM READING LAMP SWITCH #2 (2 SWITCH SYSTEM)
RRJ / 12 WHT	SEVEN PIN CONNECTOR (TRAILER CONNECTOR)	GROUND
RRK / 16 YEL	2ND GALLEY HOLDING TANK	SELECTOR SWITCH
RRL / 16 YEL	HOLDING TANK SELECTOR SWITCH	MONITOR PANEL
RRM / 14 YEL	CENTER POWER SUNVISOR SWITCH	CENTER SUNVISOR
RRN / 14 YEL	CENTER POWER SUNVISOR SWITCH	CENTER SUNVISOR
RRP / 16 YEL	THERMOSTAT (LOW STAGE)	FURNACE (LOW STAGE)
RRR / 16 YEL	THERMOSTAT (HIGH STAGE)	FURNACE (HIGH STAGE)
RRS / 16 YEL	SLIDEOUT LOCK SWITCH (#1)	SLIDEOUT LOCK SWITCH (#2)
RRT / 16 YEL	AWNING CONTROL BOX (LOCATED IN HOUSING PIN 1)	DOOR AWNING LIMIT SWITCH (LOCATED IN HOUSING PIN 1)
RRU / 16 WHT	AWNING CONTROL BOX (LOCATED IN HOUSING PIN 2)	DOOR AWNING LIMIT SWITCH (LOCATED IN HOUSING PIN 2)
RRV / 14 YEL	VIDEO CAMERA SWITCHER	MONITOR
RRW / 14 YEL	LOCKOUT POSITIONING SWITCH	FIREPLACE LOCKOUT RECP
RRX / 10 YEL	12V BREAKER PANEL (30 AMP TYPICAL)	SMART FUSE BLOCK (POSITIVE)
RRY / 18 YEL	SMART FUSE BLOCK (COMMUNICATION BUS)	SMART FUSE SWITCH PANEL
RRZ / 18 WHT	SMART FUSE BLOCK (COMMUNICATION GROUND)	SMART FUSE SWITCH PANEL
SSA / 14 WHT	FRONT LEFT SLIDE LOCK (INDICATOR OUTPUT-GROUND)	FRONT LEFT LOCK SWITCH LED
SSB / 14 WHT	FRONT RIGHT SLIDE LOCK (INDICATOR OUTPUT-GROUND)	FRONT RIGHT LOCK SWITCH LED
SSC / 14 YEL	JACK CONTROL PANEL (LEVEL)	REMOTE AUTO LEVEL SWITCH
SSD / 14 YEL	JACK CONTROL PANEL (STORE)	REMOTE AUTO LEVEL SWITCH
SSE / 14 YEL	JACK CONTROL PANEL (COMMON)	REMOTE AUTO LEVEL SWITCH (+)HWH (-)KWIKEE
SSF / 14 YEL	JACK CONTROL PANEL (INDICATOR LED)	REMOTE AUTO LEVEL SWITCH (-)HWH (+)KWIKEE
SSG / 18 YEL	TRANSFORMER	AUTO GENERATOR START MONITOR PANEL
SSH / 18 WHT	TRANSFORMER	AUTO GENERATOR START MONITOR PANEL
SSJ / 10 YEL	BRAKE CONTROLLER POWER (30-AMP BREAKER TYPICAL)	BRAKE CONTROLLER (POWER INPUT)
SSK / 14 WHT	BRAKE CONTROLLER (GROUND)	GROUND
SSL / 14 YEL	CHASSIS REAR LAMP WIRING (LEFT TURN ONLY)	LEFT TURN SIGNAL *NOT COMBO TURN/BRAKE*
SSM / 14 YEL	CHASSIS REAR LAMP WIRING (RIGHT TURN ONLY)	RIGHT TURN SIGNAL *NOT COMBO TURN/BRAKE*
SSN / 18 WHT	FRONT RIGHT SLIDEOUT LOCK END SWITCH (FROM NNS)	CONTROL MODULE (RIGHT FRONT SLIDE)(GROUND)
SSP / 18 WHT	LEFT FRONT SLIDEOUT LOCK END SWITCH (FROM DS)	CONTROL MODULE (LEFT FRONT SLIDE)(GROUND)
SSR / 16 YEL	EXTERIOR HOLDING TANK SELECTOR SWITCH	EXTERIOR MONITOR PANEL

05/29/10
REPORT 3593-1

WIRE IDENTIFICATION CHART

CODE / COLOR	FROM:	TO:
SSS / 16 YEL	EXTERIOR HOLDING TANK SELECTOR SWITCH	2ND GALLEY HOLDING TANK
SST / 14 YEL	GALLEY LAMP SWITCH #1	GALLEY LAMP SWITCH #2
SSU / 14 YEL	GALLEY LAMP SWITCH #1	GALLEY LAMP SWITCH #2
SSV / 14 YEL	BATH CEILING LAMP SWITCH #1 (2 SWITCH SYSTEM)	BATH CEILING LAMP SWITCH #2 (2 SWITCH SYSTEM)
SSW / 14 YEL	BATH CEILING LAMP SWITCH #1 (2 SWITCH SYSTEM)	BATH CEILING LAMP SWITCH #2 (2 SWITCH SYSTEM)
SSX / 12 YEL	DOOR AWNING SWITCH	DOOR AWNING CONTROL RELAY (RELAY POSITION 87A EXTEND)
SSY / 12 WHT	DOOR AWNING SWITCH	DOOR AWNING LIMIT SWITCH
SSZ / 14 YEL	LOUNGE CEILING ROPE LAMP SWITCH (CIRCUIT #2)	LOUNGE CEILING ROPE LAMP (REF CIRCUIT KKP)
TTA / 14 YEL	LEVELING SYSTEM CONTROLS	INDICATOR LAMP/ALARM (POSITIVE)
TTB / 14 WHT	LEVELING SYSTEM CONTROLS	INDICATOR LAMP/ALARM (NEGATIVE)
TTC / 10 YEL	CHASSIS BATTERY	SLIDEOUT LOCK BREAKER
TTD / 14 YEL	VEHICLE LEFT HEADLAMP HI BEAM CIRCUIT	LEFT HI BEAM LAMP
TTE / 14 YEL	RELAY	RIGHT DOCKING LAMP
TTF / 14 YEL	RELAY	LEFT DOCKING LAMP
TTG / 18 YEL	FRONT THERMOSTAT (MAIN OR ZONE #1)	REMOTE SENSOR
TTH / 18 YEL	FRONT THERMOSTAT (MAIN OR ZONE #1)	REMOTE SENSOR
TTJ / 14 YEL	BRAKE LAMP CIRCUIT BREAKER	BRAKE LAMP RELAY
TTK / 14 YEL	RIGHT TURNLAMP CIRCUIT BREAKER	RIGHT TURN LAMP RELAY
TTL / 14 YEL	LEFT TURN LAMP CIRCUIT BREAKER	LEFT TURN LAMP RELAY
TTM / 14 YEL	BACKUP LAMP CIRCUIT BREAKER	BACKUP LAMP RELAY
TTN / 14 YEL	PARK LAMP CIRCUIT BREAKER	PARK LAMP RELAY
TTP / 12 YEL	AWNING CONTROL BOX	PATIO AWNING #2 (MOTOR)
TTR / 12 WHT	AWNING CONTROL BOX	PATIO AWNING #2 (MOTOR)
TTS / 16 YEL	AWNING CONTROL BOX	PATIO AWNING #2 (SWITCH EXTEND)
TTT / 16 YEL	AWNING CONTROL BOX	PATIO AWNING #2 (SWITCH COMMON)
TTU / 16 YEL	AWNING CONTROL BOX	PATIO AWNING #2 (SWITCH RETRACT)
TTV / 16 YEL	AWNING CONTROL BOX	WIND SENSOR #2 (POSITIVE)
TTW / 16 YEL	AWNING CONTROL BOX	WIND SENSOR #2 (NEGATIVE)
TTX / 16 YEL	AWNING CONTROL BOX	WIND SENSOR #2 (SPEED OUTPUT)
TTY / 18 YEL	CHASSIS BATT DISCONNECT RELAY (TERMINAL I)	CHASSIS BATT DISCONNECT SWITCH
TTZ / 18 YEL	CHASSIS BATT DISCONNECT RELAY (TERMINAL S)	CHASSIS BATT DISCONNECT SWITCH
UUA / 18 YEL	CHASSIS BATT DISCONNECT RELAY LOAD SIDE FUSE FEED	CHASSIS BATT DISCONNECT SWITCH INDICATOR LAMP
UUB / 18 YEL	CHASSIS BATT DISCONNECT LOCKOUT RELAY-NC CONTACT	CHASSIS BATT DISCONNECT RELAY SWITCH
UUC / 18 WHT	CHASSIS BATT DISCONNECT SWITCH	GROUND

WIRE IDENTIFICATION CHART

CODE / COLOR	FROM:	TO:
UUD / 12 YEL	RIGHT REAR SLIDEOUT LOCK SWITCH	RIGHT REAR SLIDEOUT LOCK MOTOR
UUE / 12 YEL	RIGHT REAR SLIDEOUT LOCK SWITCH	RIGHT REAR SLIDEOUT LOCK MOTOR
UUF / 16 YEL	BATTERY MAINTAINER	CHASSIS BATTERY
UUG / 18 YEL	CHASSIS BATT DISCONNECT RELAY BATTERY SIDE FUSE FEED	CHASSIS BATT DISCONNECT RELAY COMMON CONTACT
UUH / 18 YEL	THERMOSTAT AGS OUTPUT 9 PIN HSG POSITION 3	AUTO GEN START MODULE POSITION 10
UUJ / 12 YEL	TRAILER BATTERY BREAKER	TRAILER BATTERY RELAY
UUK / 18 YEL	AWNING CONTROL BOX (LOW WIND SPEED SETTING)	AWNING WIND SPEED SWITCH (LOW WIND SPEED)
UUL / 18 YEL	AWNING CONTROL BOX (MEDIUM WIND SPEED SETTING)	AWNING WIND SPEED SWITCH (MEDIUM WIND SPEED, COMMON)
UUM / 18 YEL	AWNING CONTROL BOX (HIGH WIND SPEED SETTING)	AWNING WIND SPEED SWITCH (HIGH WIND SPEED)
UUN / 18 YEL	AWNING #2 CONTROL BOX (LOW WIND SPEED SETTING)	AWNING #2 WIND SPEED SWITCH (LOW WIND SPEED)
UUP / 18 YEL	AWNING #2 CONTROL BOX (MEDIUM WIND SPEED SETTING)	AWNING #2 WIND SPEED SWITCH (MEDIUM WIND SPEED, COMMON)
UUR / 18 YEL	AWNING #2 CONTROL BOX (HIGH WIND SPEED SETTING)	AWNING #2 WIND SPEED SWITCH (HIGH WIND SPEED)
UUS / 18 YEL	FRONT SLIDEOUT MOTOR (ENCODER SIGNAL)	SLIDEOUT MODULE (ENCODER SIGNAL)
UUT / 18 YEL	FRONT SLIDEOUT MOTOR (ENCODER SIGNAL)	SLIDEOUT MODULE (ENCODER SIGNAL)
UUU / 18 WHT	FRONT SLIDEOUT MOTOR (ENCODER GROUND)	SLIDEOUT MODULE (ENCODER GROUND)
UUV / 10 YEL	REAR SLIDEOUT MOTOR (MOTOR 'RED' LEAD)	SLIDEOUT MODULE (CONTROL MOTOR 2 PIN 1)
U UW / 10 WHT	REAR SLIDEOUT MOTOR (MOTOR 'BLK' LEAD)	SLIDEOUT MODULE (CONTROL MOTOR 2 PIN 2)
UUX / 18 YEL	REAR SLIDEOUT MOTOR (ENCODER COM POWER)	SLIDEOUT MODULE (ENCODER COM POWER)
UUY / 18 YEL	REAR SLIDEOUT MOTOR (ENCODER SIGNAL)	SLIDEOUT MODULE (ENCODER SIGNAL)
UUZ / 18 YEL	REAR SLIDEOUT MOTOR (ENCODER SIGNAL)	SLIDEOUT MODULE (ENCODER SIGNAL)
VVA / 18 WHT	REAR SLIDEOUT MOTOR (ENCODER GROUND)	SLIDEOUT MODULE (ENCODER GROUND)
VVB / 18 YEL	SLIDEOUT SWITCH (SWITCH "IN")	SLIDEOUT MODULE (RETRACT)
VVC / 18 YEL	SLIDEOUT SWITCH (SWITCH "OUT")	SLIDEOUT MODULE (EXTEND)
VVD / 18 YEL	SLIDEOUT SWITCH (MOTOR 1 SWITCH)	SLIDEOUT MODULE (MOTOR 1 SWITCH)
VVE / 18 YEL	SLIDEOUT SWITCH (MOTOR 2 SWITCH)	SLIDEOUT MODULE (MOTOR 2 SWITCH)
VVF / 18 YEL	SLIDEOUT SWITCH (CALIBRATION SWITCH)	SLIDEOUT MODULE (CALIBRATION SWITCH)
VVG / 18 YEL	SLIDEOUT SWITCH (RED LED)	SLIDEOUT MODULE (RED LED)
VVH / 18 YEL	SLIDEOUT SWITCH (GREEN LED)	SLIDEOUT MODULE (GREEN LED)
VVJ / 18 YEL	SLIDEOUT SWITCH (SWITCH POWER)	INLINE FUSE (1 AMP) (SWITCH POWER)
VVK / 10 YEL	FRONT SLIDEOUT MOTOR (MOTOR 'RED' LEAD)	SLIDEOUT MODULE (CONTROL MOTOR 1 PIN 1)
VVL / 10 WHT	FRONT SLIDEOUT MOTOR (MOTOR 'BLK' LEAD)	SLIDEOUT MODULE (CONTROL MOTOR 1 PIN 2)
VVM / 18 YEL	FRONT SLIDEOUT MOTOR (ENCODER COM POWER)	SLIDEOUT MODULE (ENCODER COM POWER)
VVN / 18 YEL	SLIDEOUT SWITCH (LOW VOLTAGE LED)	SLIDEOUT MODULE (LOW VOLTAGE LED)
VVP / 18 YEL	SLIDEOUT SWITCH (PARK BRAKE LED)	SLIDEOUT MODULE (PARK BRAKE LED)

WIRE IDENTIFICATION CHART

CODE / COLOR	FROM:	TO:
VVR / 18 YEL	SLIDEOUT MODULE (SWITCH POWER)	INLINE FUSE (1 AMP) (SWITCH POWER)
VVS / 18 YEL	AQUA-HOT	ZONE 1 T-STAT
VVT / 18 YEL	AQUA-HOT	ZONE 1 T-STAT
VVU / 18 WHT	AQUA-HOT	ZONE 2 FAN (NEG) (HHU POS)
VVV / 18 WHT	AQUA-HOT	ZONE 1 FAN (NEG) (HHP POS)
VVW / 18 YEL	AQUA-HOT	ZONE 3 T-STAT (HHW)
VVX / 18 WHT	AQUA-HOT	ZONE 3 FAN (NEG) (HHX POS)
VVY / 16 YEL	AQUA-HOT	DIESEL BURNER SWITCH
VVZ / 16 YEL	AQUA-HOT	DIESEL BURNER SWITCH
WWA / 16 YEL	AQUA-HOT	110V ASSIST SWITCH
WWB / 16 YEL	AQUA-HOT	110V ASSIST SWITCH
WWC / 16 YEL	AQUA-HOT	ENGINE PREHEAT SWITCH
WWD / 16 YEL	AQUA-HOT	ENGINE PREHEAT SWITCH
WWE / 18 YEL	LEFT REAR SLIDEOUT SWITCH (SWITCH POWER)	INLINE FUSE (1 AMP) (SWITCH POWER)
WWF / 18 YEL	LEFT REAR SLIDEOUT SWITCH (LOW VOLTAGE LED)	SLIDEOUT MODULE (LOW VOLTAGE LED)
WWG / 18 YEL	LEFT REAR SLIDEOUT SWITCH (PARK BRAKE LED)	SLIDEOUT MODULE (PARK BRAKE LED)
WWH / 18 YEL	LEFT REAR SLIDEOUT MODULE (SWITCH POWER)	INLINE FUSE(1 AMP) (SWITCH POWER)
WWJ / 18 YEL	RIGHT REAR SLIDEOUT SWITCH (SWITCH POWER)	INLINE FUSE (1 AMP) (SWITCH POWER)
WWK / 18 YEL	RIGHT REAR SLIDEOUT SWITCH (LOW VOLTAGE LED)	SLIDEOUT MODULE (LOW VOLTAGE LED)
WWL / 18 YEL	RIGHT REAR SLIDEOUT SWITCH (PARK BRAKE LED)	SLIDEOUT MODULE (PARK BRAKE LED)
WWM / 18 YEL	RIGHT REAR SLIDEOUT MODULE (SWITCH POWER)	INLINE FUSE (1 AMP) (SWITCH POWER)
WWN / 18 YEL	RIGHT FRONT SLIDEOUT SWITCH (SWITCH POWER)	INLINE FUSE (1 AMP) (SWITCH POWER)
WWP / 18 YEL	RIGHT FRONT SLIDEOUT SWITCH (LOW VOLTAGE LED)	SLIDEOUT MODULE (LOW VOLTAGE LED)
WWR / 18 YEL	RIGHT FRONT SLIDEOUT SWITCH (PARK BRAKE LED)	SLIDEOUT MODULE (PARK BRAKE LED)
WWS / 18 YEL	RIGHT FRONT SLIDEOUT MODULE (SWITCH POWER)	INLINE FUSE (1 AMP) (SWITCH POWER)
WWT / 18 YEL	THERMOSTAT OR CONTROL BOARD (ZONE #2)	REMOTE SENSOR
WWU / 18 YEL	THERMOSTAT OR CONTROL BOARD (ZONE #2)	REMOTE SENSOR
WWV / 18 YEL	MULTIPLEX POSITIVE (MULTIPLEX CONTROL)	MULTIPLEX POSITIVE (MULTIPLEX DEVICE)
WWW / 18 WHT	MULTIPLEX NEGATIVE (MULTIPLEX CONTROL)	MULTIPLEX NEGATIVE (MULTIPLEX DEVICE)
WWX / 18 YEL	MULTIPLEX SIGNAL (MULTIPLEX CONTROL)	MULTIPLEX SIGNAL (MULTIPLEX DEVICE)
WWY / 18 YEL	LOAD SHEDDER RELAY NORMALLY CLOSED	A/C #2
WWZ / 18 YEL	LOAD SHEDDER RELAY COMMON	A/C #2
XXA / 18 YEL	LOAD SHEDDER RELAY NORMALLY CLOSED	A/C #3
XXB / 18 YEL	LOAD SHEDDER RELAY COMMON	A/C #3

WIRE IDENTIFICATION CHART

CODE / COLOR	FROM:	TO:
XXC / 16 YEL	BATTERY DISC SWITCH (MONOPLEX SIGNAL)	BATTERY DISC MODULE (MONOPLEX SIGNAL)
XXD / 16 WHT	BATTERY DISC SWITCH (GROUND)	BATTERY DISC MODULE (GROUND)
XXE / 16 YEL	BATTERY DISC SWITCH (CHASSIS VOLTAGE)	BATTERY DISC MODULE (CHASSIS VOLTAGE)
XXF / 16 YEL	BATTERY DISC SWITCH (COACH VOLTAGE)	BATTERY DISC MODULE (COACH VOLTAGE)
XXG / 16 WHT	LOAD SHEDDER 12V RELAY POSITION 1 (NORMALLY CLOSED)	A/C #1 B- GROUND TERMINAL (TOTAL UNIT SHED)
XXH / 16 WHT	LOAD SHEDDER 12V RELAY POSITION 10(NORMALLY CLOSED)	A/C #2 B- GROUND TERMINAL (TOTAL UNIT SHED)
XXJ / 18 YEL	LOAD SHEDDER RELAY NORMALLY CLOSED	A/C #1
XXK / 18 YEL	LOAD SHEDDER RELAY COMMON	A/C #1
XXL / 18 YEL	THERMOSTAT STAGE 1 (LOW OR SINGLE STAGE)	STAGE 1 HEAT ISOLATION RELAY COMMON TERMINAL
XXM / 18 YEL	THERMOSTAT STAGE 2 (HIGH STAGE)	STAGE 2 HEAT ISOLATION RELAY COMMON TERMINAL
XXN / 12 YEL	TV LIFT SWITCH #1 (2-SWITCH SYSTEM TRAVELER 1)	TV LIFT SWITCH #2 (2-SWITCH SYSTEM TRAVELER 1)
XXP / 12 YEL	TV LIFT SWITCH #1 (2-SWITCH SYSTEM TRAVELER 2)	TV LIFT SWITCH #2 (2-SWITCH SYSTEM TRAVELER 2)
XXR / 16 YEL	REVERSE TRIGGER RELAY	CAMERA MONITOR
XXS / 16 YEL	RIGHT TURN TRIGGER RELAY	CAMERA MONITOR
XXT / 16 YEL	LEFT TURN TRIGGER RELAY	CAMERA MONITOR
XXU / 18 YEL	THERMOSTAT (AUX FURNACE)	HEAT ISOLATION RELAY COMMON TERMINAL
XXV / 10 YEL	CHASSIS BREAKER PANEL (REAR SLIDE RAM)	CONTROL RELAY (REAR SLIDE)
XXW / 10 WHT	CHASSIS GROUND BAR (REAR SLIDE RAM)	CONTROL RELAY (REAR SLIDE)
XXX / 18 WHT	LIFT SWITCH-EXTEND (GROUND SIGNAL)	CONTROL MODULE EXTEND INPUT
XXY / 18 WHT	LIFT SWITCH-RETRACT (GROUND SIGNAL)	CONTROL MODULE RETRACT INPUT
XXZ / 18 WHT	WATER PUMP SWITCH(S) (GROUND SIGNAL)	WATER PUMP CONTROL MODULE (PUMP START/STOP SIGNAL)
YYA / 18 WHT	LP TANK LEVEL SENSOR (REF JT)	MONITOR PANEL (GROUND)
YYB / 18 WHT	WATER TANK LEVEL SENSOR (REF XH)	MONITOR PANEL (GROUND)
YYC / 18 WHT	BLACK HOLDING LEVEL SENSOR (MAIN TANK)(REF XJ)	MONITOR PANEL (GROUND)
YYD / 18 WHT	GRAY HOLDING LEVEL SENSOR (AUX TANK #1)(REF XK)	MONITOR PANEL (GROUND)
YYE / 18 WHT	GRAY HOLDING LEVEL SENSOR (AUX TANK #2)(REF XL/RRK)	MONITOR PANEL (GROUND)
YYF / 12 WHT	WATER PUMP CONTROL MODULE (PUMP START/STOP GROUND)	WATER PUMP
YYG / 14 YEL	AUTOMOTIVE AIR CONDITIONER FREEZE THERMOSTAT.	AUTOMOTIVE AIR CONDITIONER BINARY SWITCH.
YYH / 16 YEL	SEAT HEATER MODULE (COMMON)	SEAT HEATER SWITCH (COMMON)
YYJ / 16 YEL	SEAT HEATER MODULE (LOW)	SEAT HEATER SWITCH (LOW)
YYK / 16 YEL	SEAT HEATER MODULE (HIGH)	SEAT HEATER SWITCH (HIGH)
YYL / 14 YEL	HWH LEVEL TOUCHPAD HARNESS (BY DOOR)	HWH LEVEL ALARM HARNESS (UNDER DASH)
YYM / 12 YEL	RIGHT REAR SLIDEOUT LOCK SWITCH	RIGHT REAR SLIDEOUT LOCK MOTOR
YYN / 12 YEL	RIGHT REAR SLIDEOUT LOCK SWITCH	RIGHT REAR SLIDEOUT LOCK MOTOR

05/29/10
REPORT 3593-1

WIRE IDENTIFICATION CHART

CODE / COLOR

FROM:

TO:

YYP / 18 YEL

RIGHT REAR SLIDEOUT LOCK END SWITCH

RIGHT REAR SLIDEOUT SWITCH

YYR / 18 WHT

BLACK HOLDING LEVEL SENSOR (MAIN TANK#2)

MONITOR PANEL (GROUND)