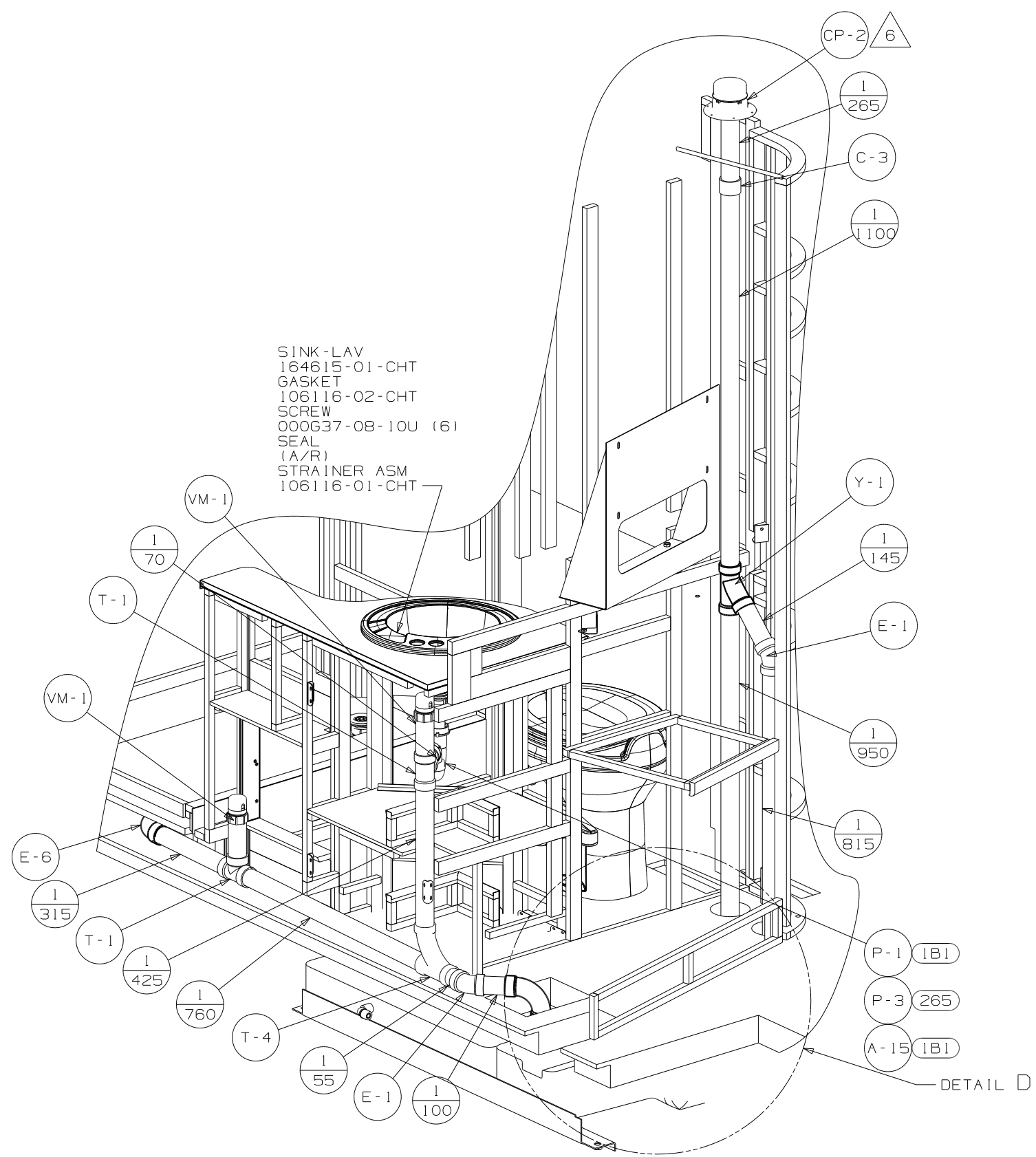


- NOTES:
1. SLOPE OF HORIZONTAL PIPING TO BE MINIMUM OF 3 PER 305 mm.
 2. SLOPE OF TRAP ARM MUST BE 6 PER 305 mm.
 3. ALL PIPE AND FITTINGS TO BE ASSEMBLED WITH SOLVENT 004020-01-000 (USA), 004020-02-000 (CAN)
 4. ATTACH TANK BRACKET TO RISER.
 5. SEAL AROUND SHOWER WITH SILICONE.
 6. VENT PIPE MUST PROJECT 51 MIN AND 64 MAX ABOVE ROOF FOR PROPER FIT AND FUNCTION.
 7. SECURE VENT PIPE TO FLOOR WITH CLAMP 062401-02-000 (2), SCREW 000667-10-12B (2), BRACKET 136878-01-CHT (2).
 8. SECURE DRAINAGE PIPES TO CABINET USING WIRE TIE 108046-02-000, AND SCREW 000667-10-12B AT INTERVALS OF NOT MORE THAN 4 FEET APART.
 9. APPLY PRIMER 126427-02-000 AND CEMENT 126427-01-000 BETWEEN ELBOW AND FLEX PIPE.
 10. USE SMOOTH PLUMBERS PUTTY 167459-01-000 TO SEAL STRAINER (0.2 PER STRAINER).

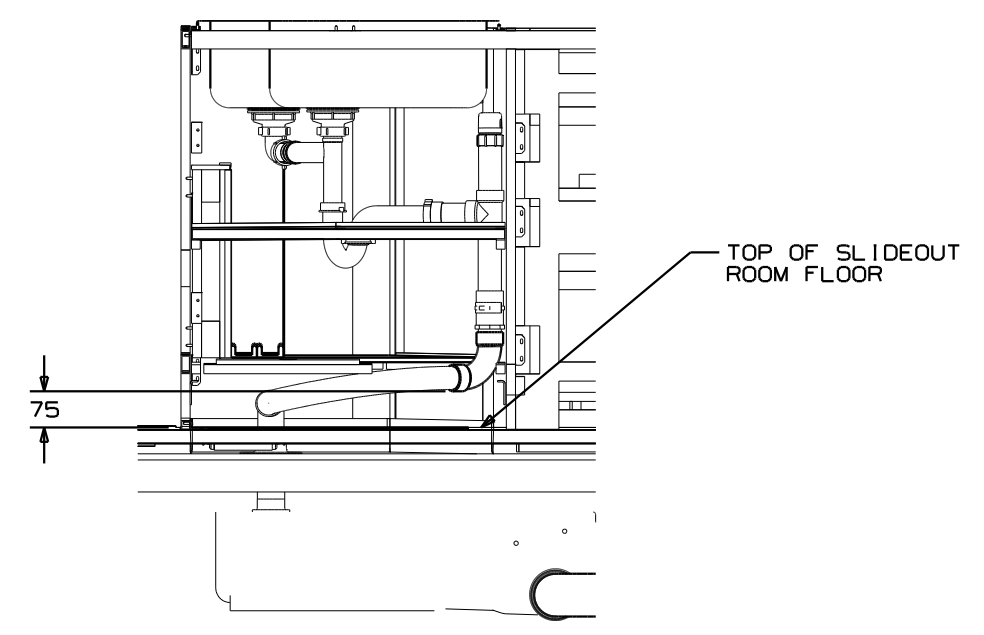
- (B1) CODES/STANDARDS-USA
- (265) CODES/STANDARDS-CSA/CMVSS

WINNEBAGO		COPYRIGHT 2010 WINNEBAGO INDUSTRIES, INC.	
DFTN	ORIG. DATE	ALL DIMENSIONS ARE IN MILLIMETERS	
CHKR		FIRST USED	
P.E.		10 J32H	
M.E.		UNSPECIFIED TOLERANCES ARE:	
DSNR		WHOLE DIM (X) :	3
		ONE-PLACE (X.X) :	1.5
		TWO-PLACE (X.XX) :	0.50
		ANGLE :	1°
THIRD ANGLE PROJECTION		MATERIAL:	
DO NOT SCALE DRAWING		REFER TO ES0018 FOR FASTENER TIGHTENING GUIDELINES	
TITLE: DRAINAGE SYSTEM INSTL			
SHEET 1 of 4	PART NO	170812	REV
REF:	1/3/18/2010		

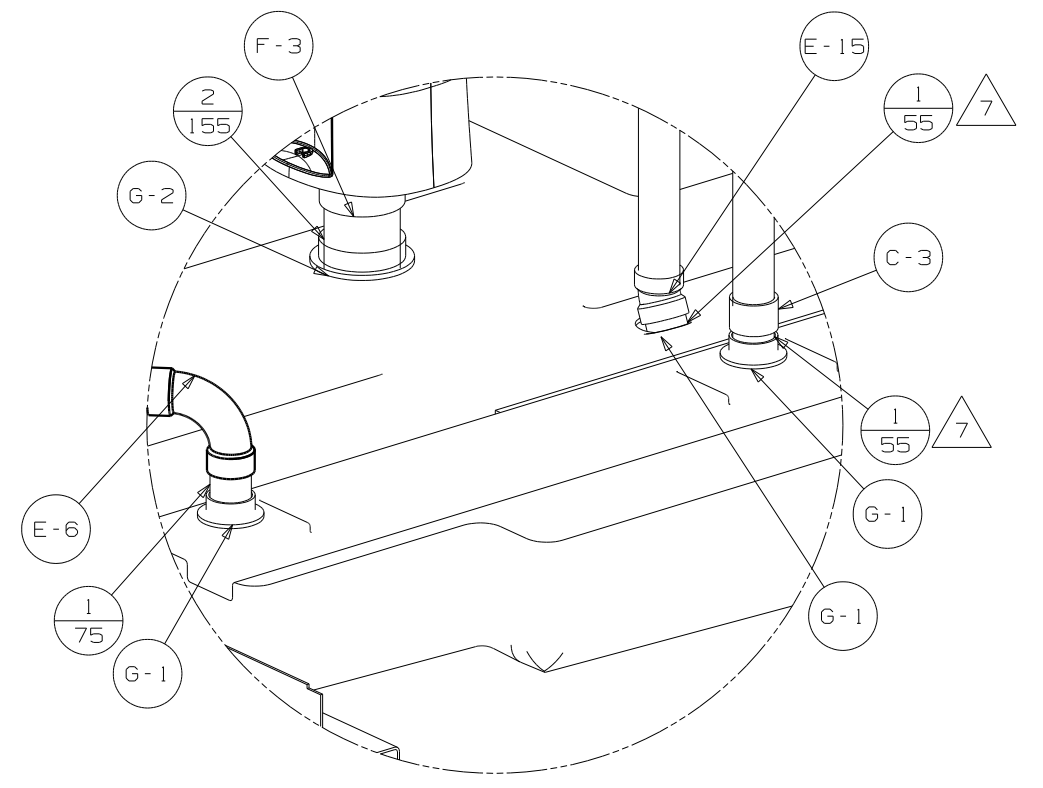
(X-X)
FOR
DRAINAGE
CALLOUTS
SEE DWG NO
116229-01-000



VIEW A

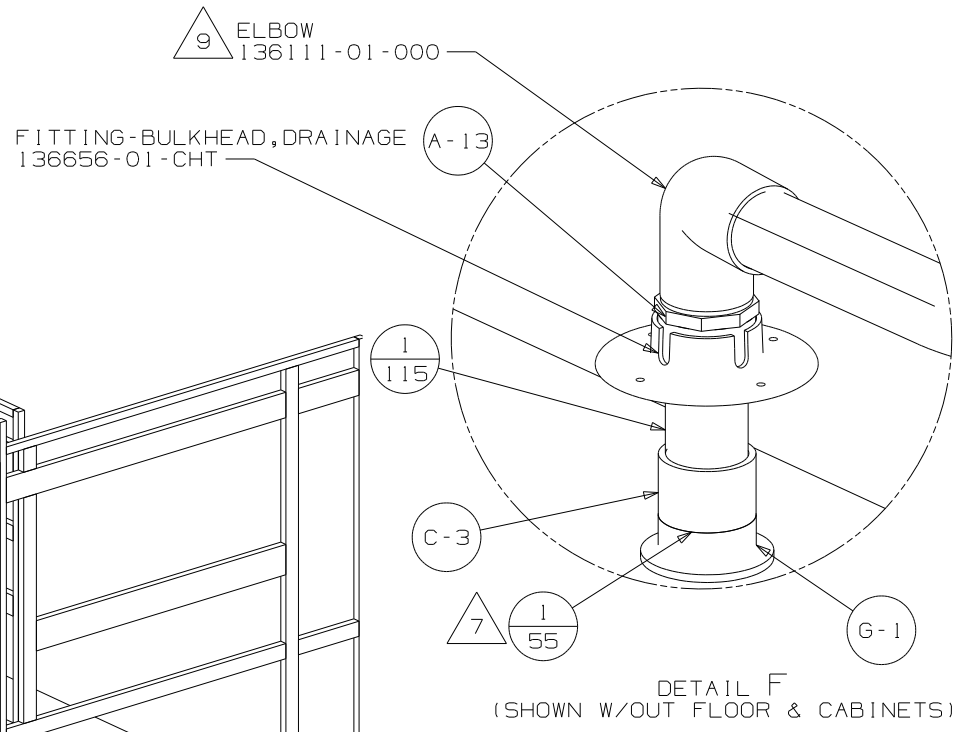
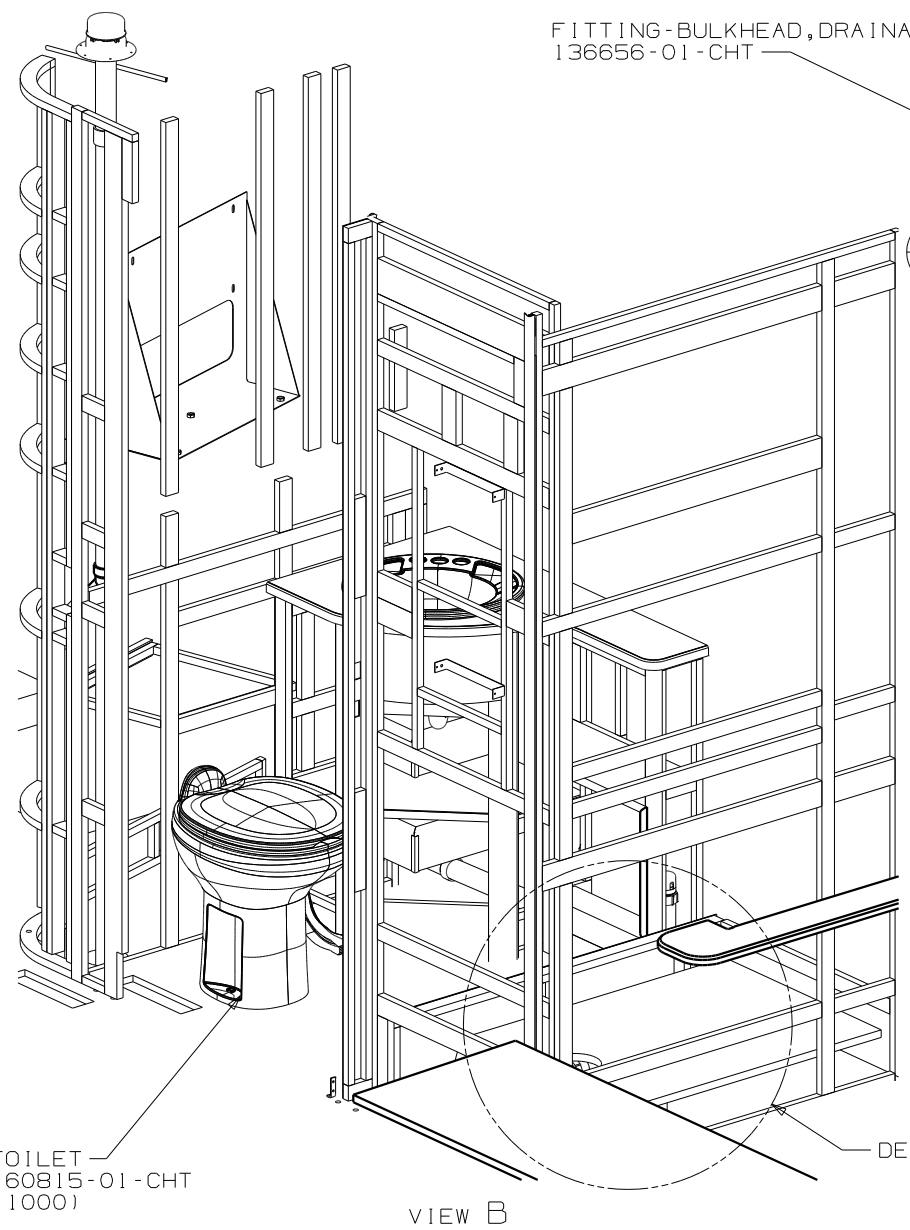


VIEW G

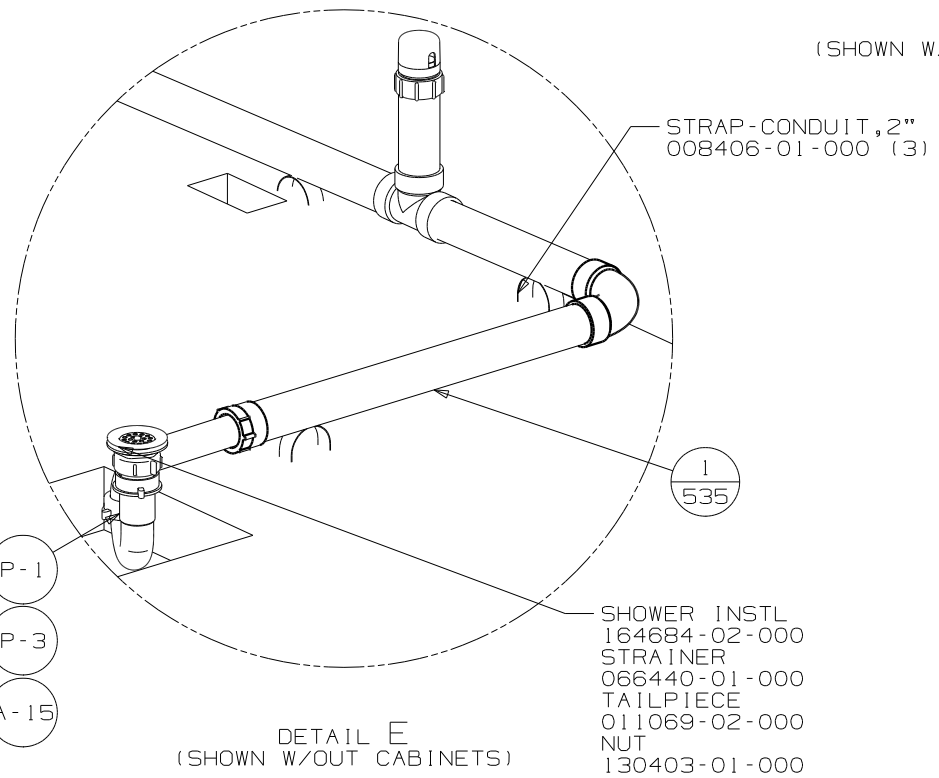
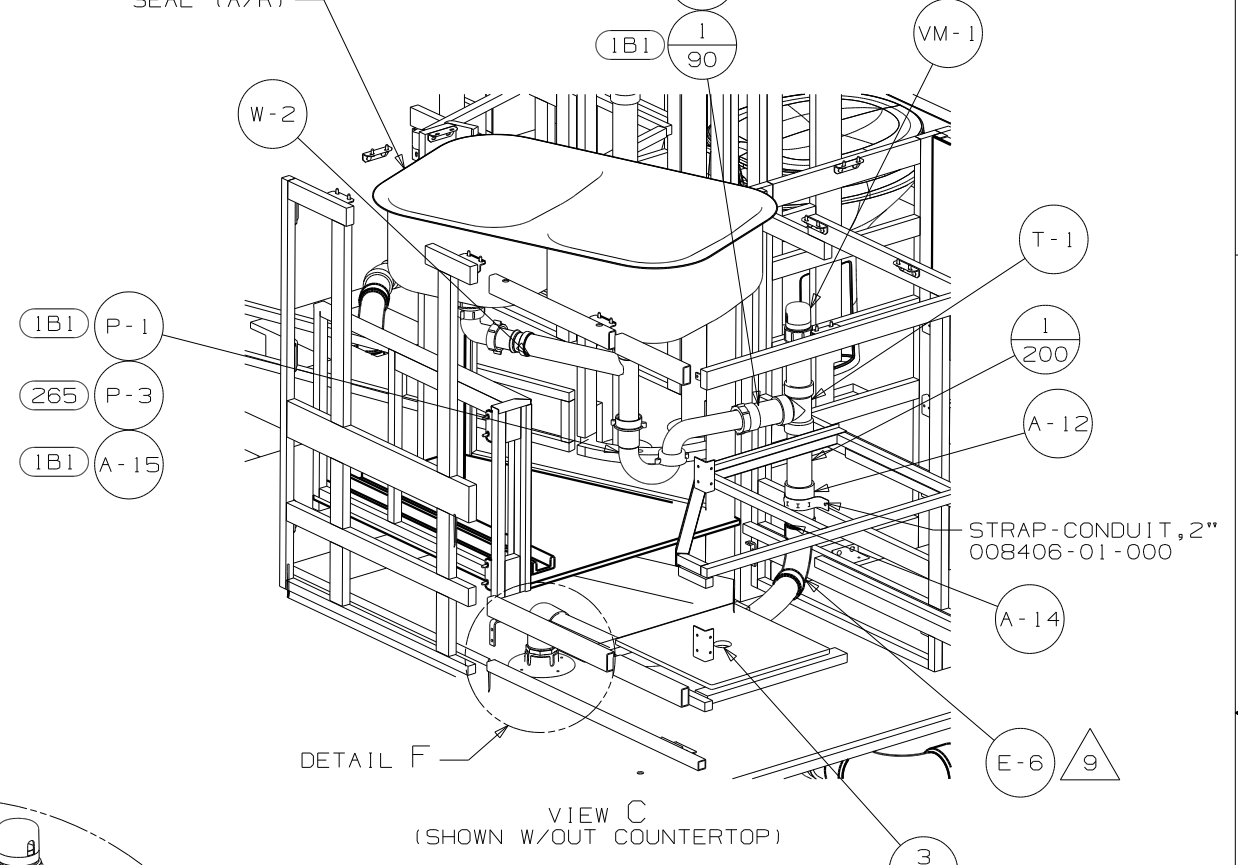


DETAIL D
(SHOWN W/OUT FLOOR & CABINETS)

FIRST USED	10 J32H
DO NOT SCALE DRAWING	
TITLE	DRAINAGE SYSTEM INSTL
SHEET 2	PART NO 170812 REV

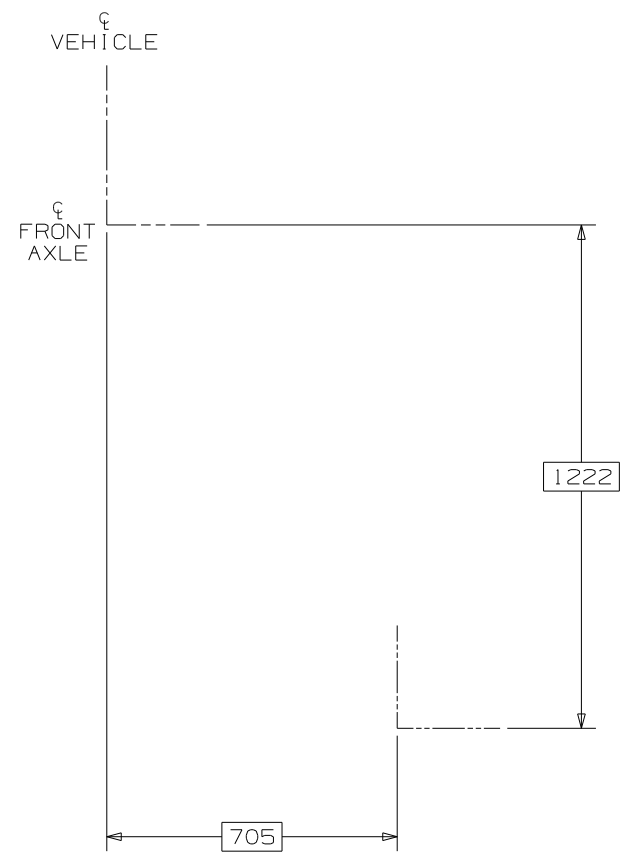
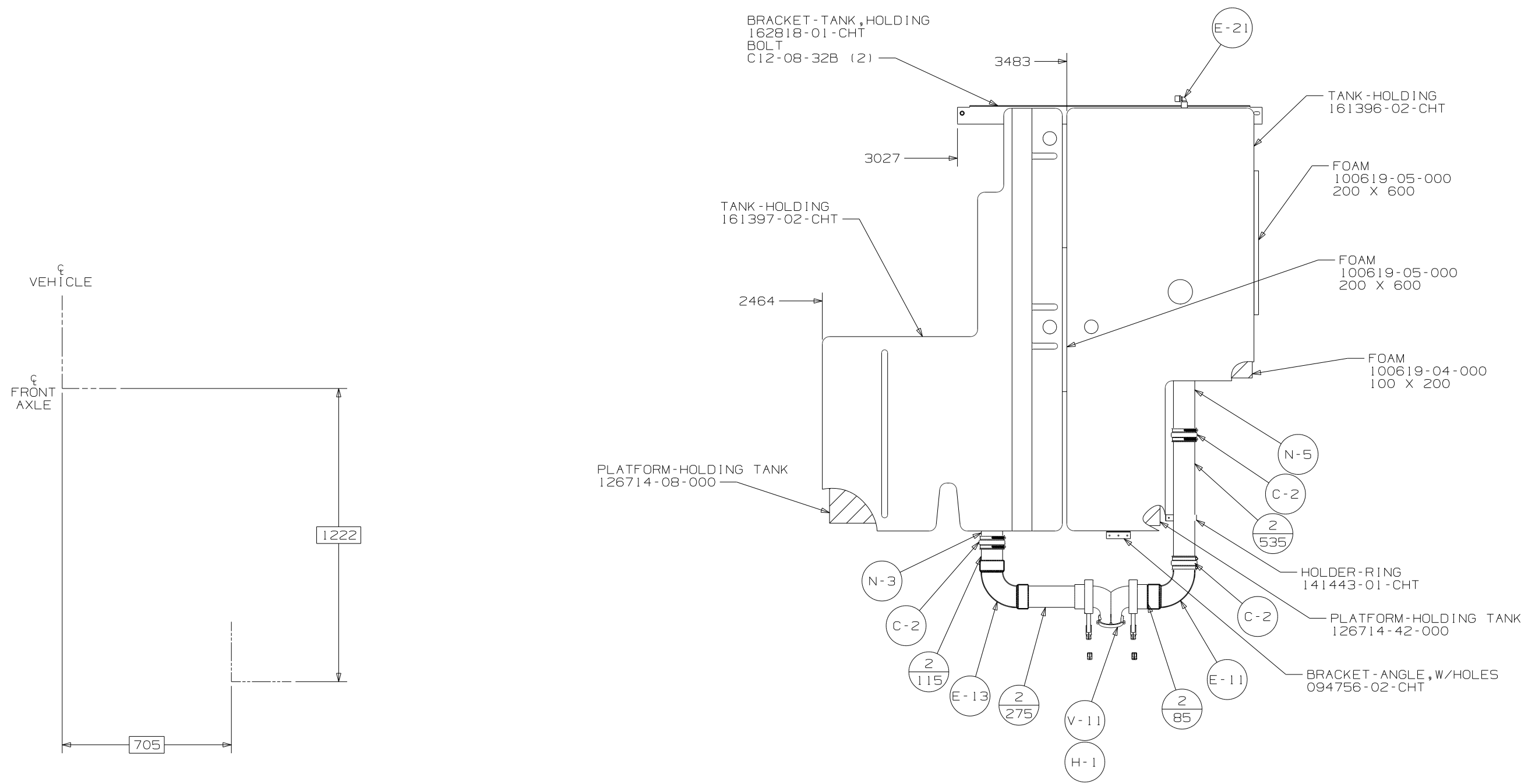


- SINK
173783-01-000
- STRAINER
092303-01-000 (2)
- BRACKET
140002-01-CHT (8)
- SCREW
142261-02-CHT (20)
- SEAL (A/R)



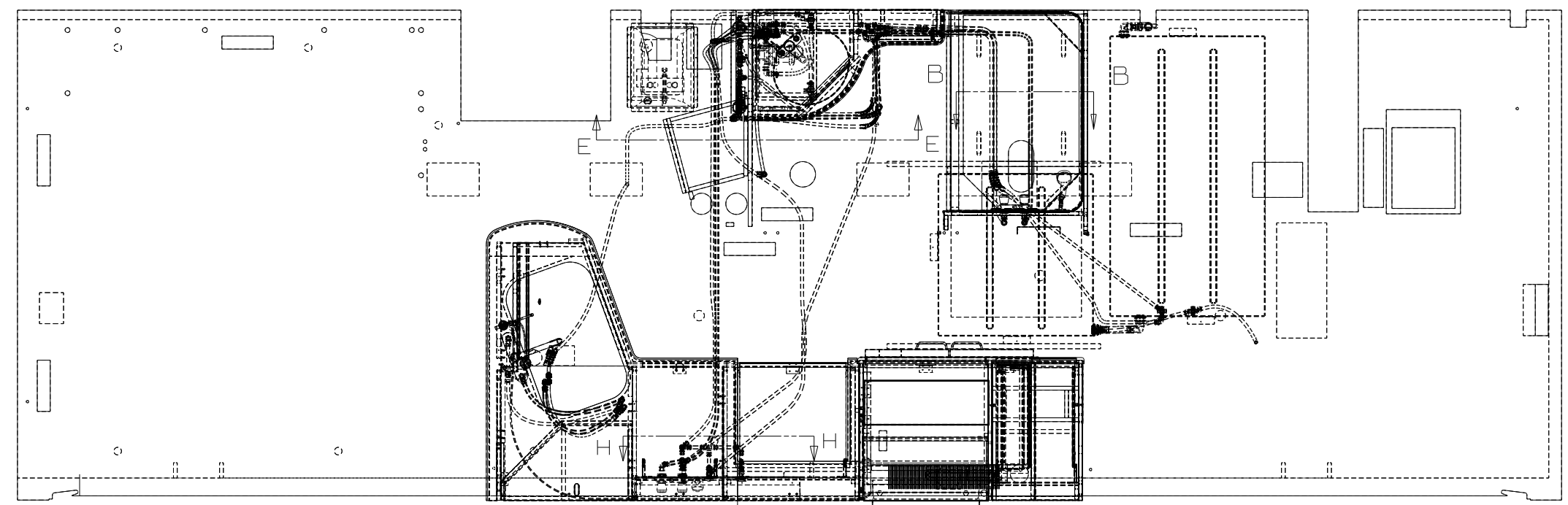
- SHOWER INSTL
164684-02-000
- STRAINER
066440-01-000
- TAILPIECE
011069-02-000
- NUT
130403-01-000
- WASHER-RUBBER
127440-02-CHT

FIRST USED	10 J32H
DO NOT SCALE DRAWING	
TITLE	DRAINAGE SYSTEM INSTL
SHEET 3	PART NO 170812 REV



TOP VIEW
(SHOWING TANKS AND DRAINS)

FIRST USED	10 J32H		
TITLE	DO NOT SCALE DRAWING		
	DRAINAGE SYSTEM INSTL		
SHEET 4	PART NO	170812	REV



- (79W) REFRIGERATOR-4 DOOR
- (611) WTR HTR-AUX AUTO/MOTORAID
- (15U) REFRIGERATOR/FRZR W/ICEMAKER
- (144) REFRIGERATOR-DOUBLE DOOR
- (1B2) WTR HTR-10GAL/ELEC/LP/MTRAIID

- NOTES:
- 6 USE IN PLACE OF SUPPLIED SCREWS TO ATTACH BRACKET TO WALL.
 - 5 ADD TEFLON TAPE 0010405-02-000.
 - 4 ADD TEFLON TAPE 10405-01-000.
 - 3. ALL TUBING TO BE SECURED AT 1200 INTERVALS MAXIMUM WITH CLAMP 010495-01-000 AND SCREW 000667-10-12B OR EQUIVALENT.
 - 2. TUBING TO BE INSTALLED WITH SUFFICIENT SLOPE TO PROVIDE DRAINAGE TO NEAREST VALVE.
 - 1. PLASTIC FITTINGS TO BE SEALED WITH SEALANT 084456-01-000.

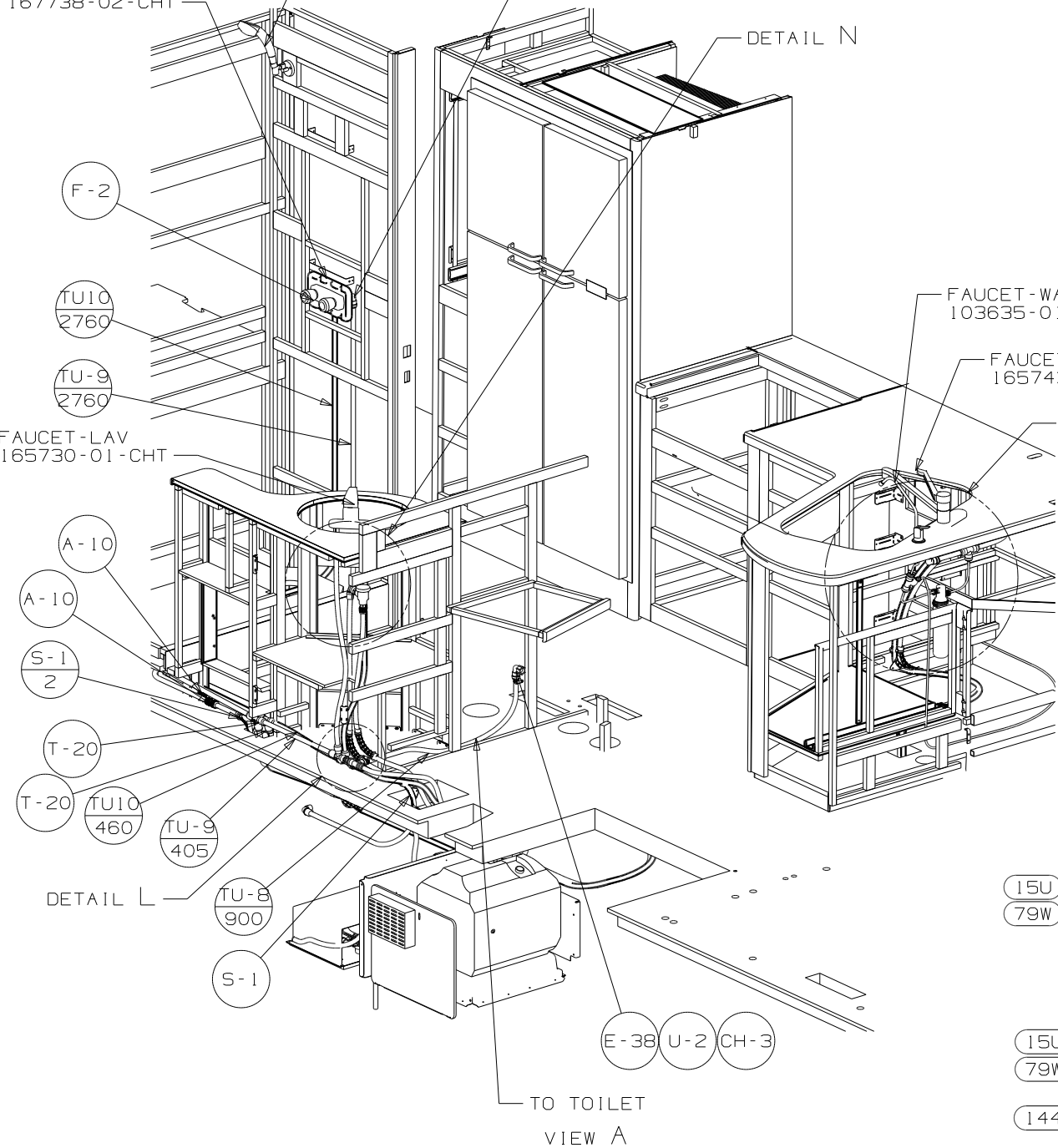
WINNEBAGO		COPYRIGHT 2010 WINNEBAGO INDUSTRIES, INC.	
DFTN	ORIG. DATE	ALL DIMENSIONS ARE IN MILLIMETERS	
CHKR		FIRST USED	
P.E.		10 J32H	
M.E.		UNSPECIFIED TOLERANCES ARE:	
DSNR		WHOLE DIM (X) : 3	
		ONE-PLACE (X.X) : 1.5	
		TWO-PLACE (X.XX) : 0.50	
		ANGLE : 1°	
THIRD ANGLE PROJECTION		MATERIAL:	
DO NOT SCALE DRAWING		REFER TO ES0018 FOR FASTENER TIGHTENING GUIDELINES	
TITLE: WATER SYSTEM INSTL			
SHEET 1 OF 5	PART NO	170811	REV
REF:	12/19/2010		

FOR
WATER
CALLOUTS
SEE DWG NO
116230-01-000

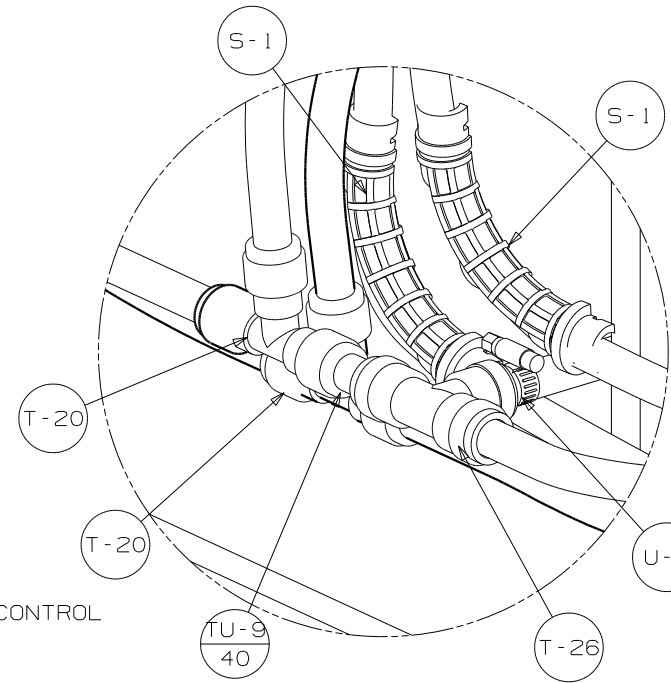


6 SHOWER HEAD-W/HOSE & BRKT
129390-04-CHT
SCREW
000612-10-16F (2)

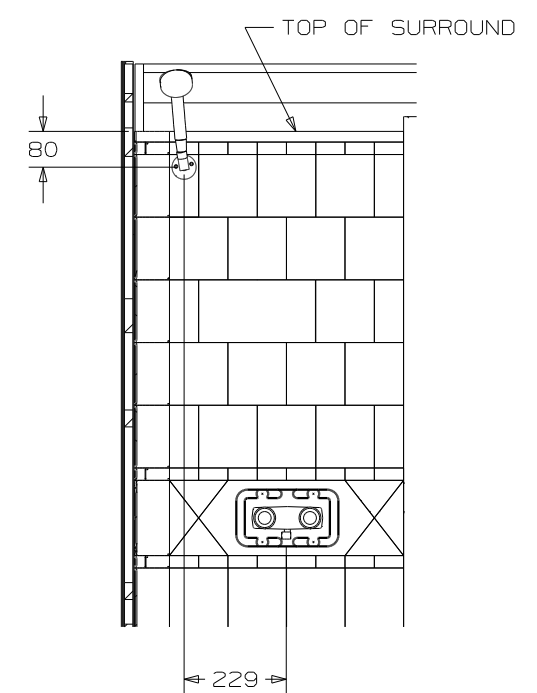
PANEL-SHOWER FAUCET
167738-02-CHT



TO TOILET
VIEW A



DETAIL L

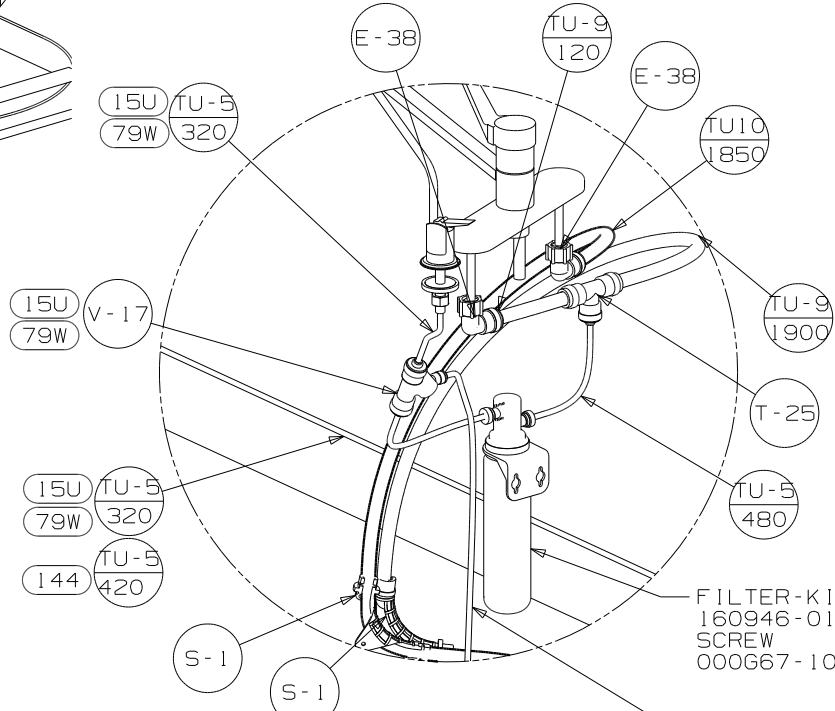


SECTION B-B
(ROTATED)

FAUCET-WATER PURIFIER
103635-01-000

FAUCET-GALLEY, SGL CONTROL
165743-01-CHT

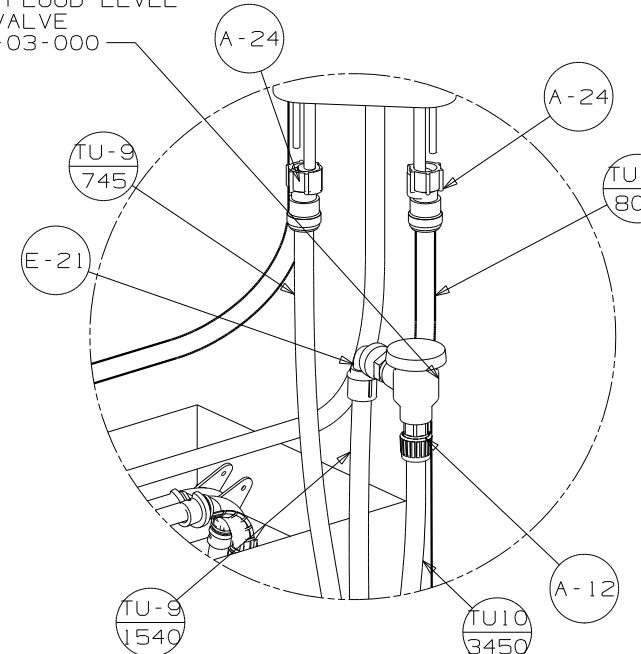
5
BREAKER-VACUUM
125697-04-000
MUST BE MOUNTED ABOVE
TOILET FLOOD LEVEL
CHECK VALVE
125697-03-000



DETAIL M
(SHOWN W/OUT CABINETS)

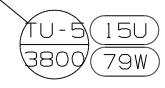
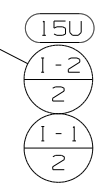
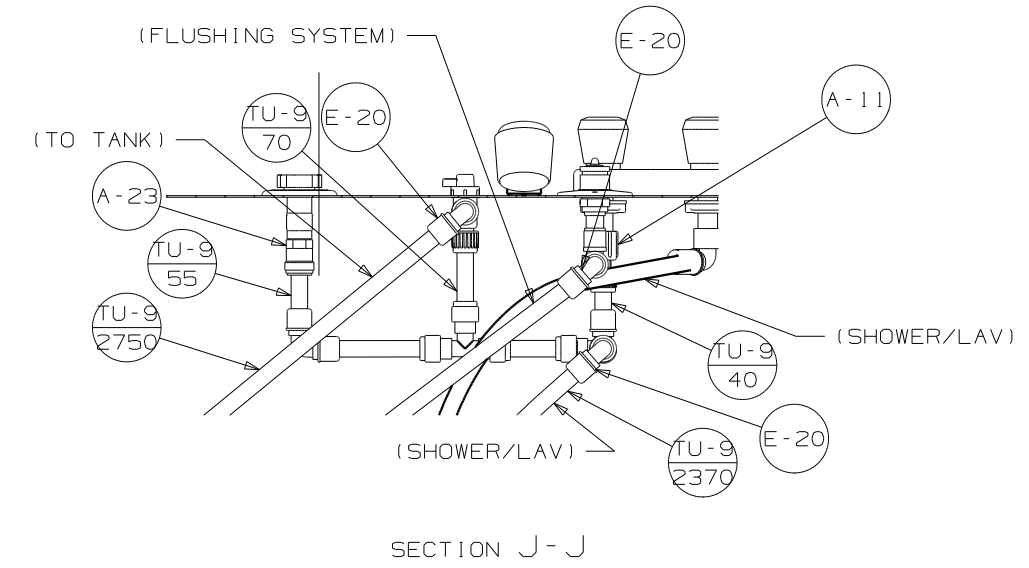
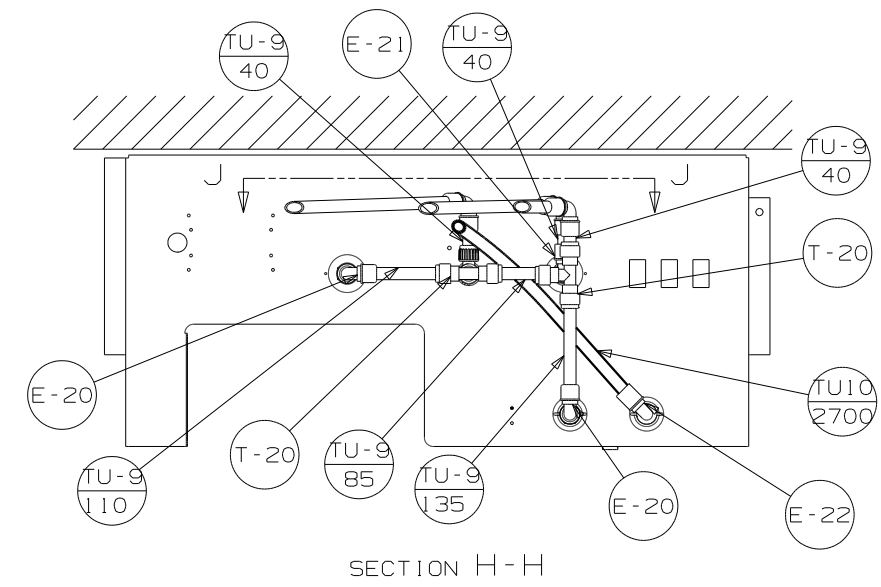
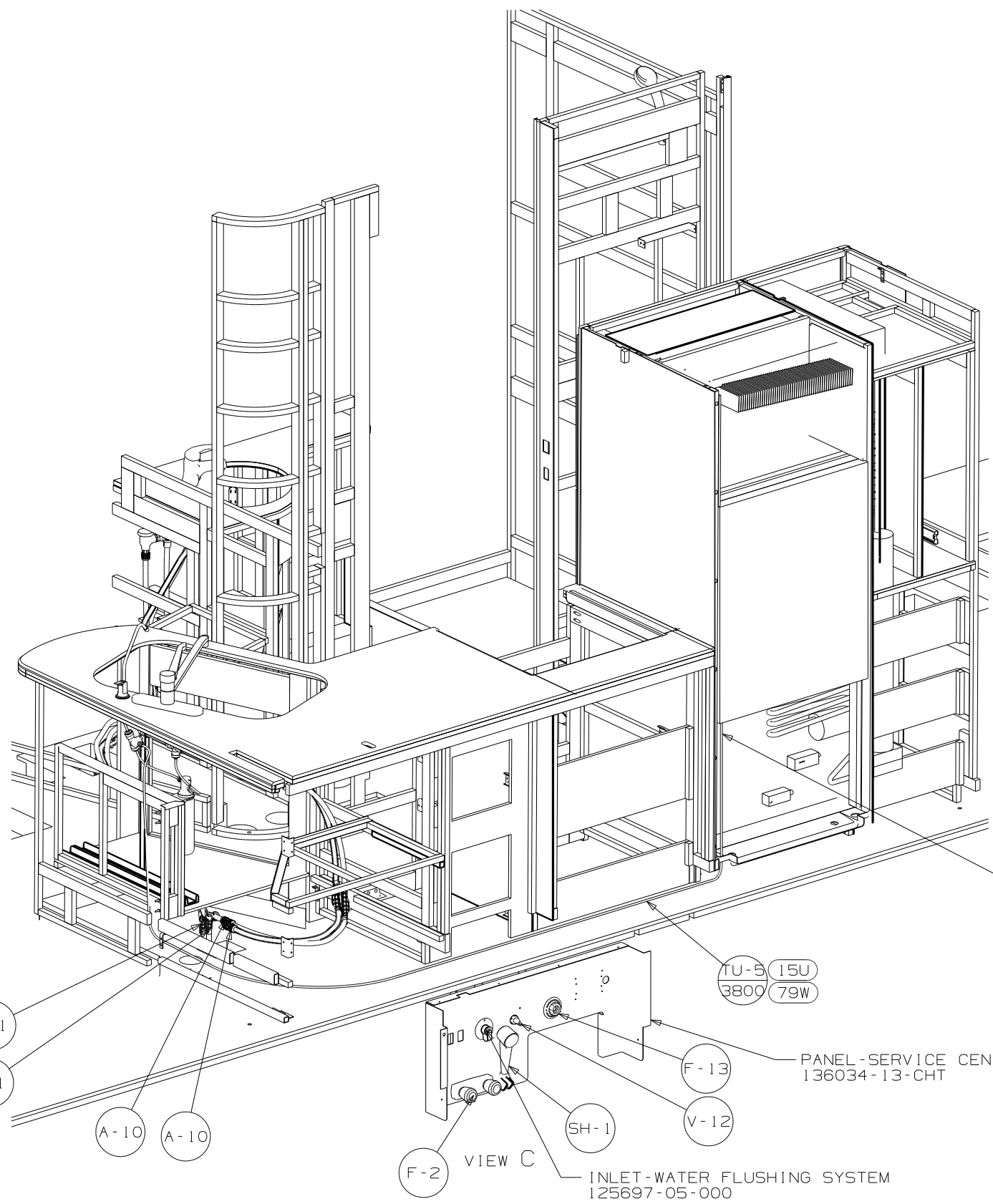
FILTER-KIT
160946-01-000
SCREW
000667-10-12U (2)

TO ICEMAKER



DETAIL N
(SHOWN W/OUT CABINETS)

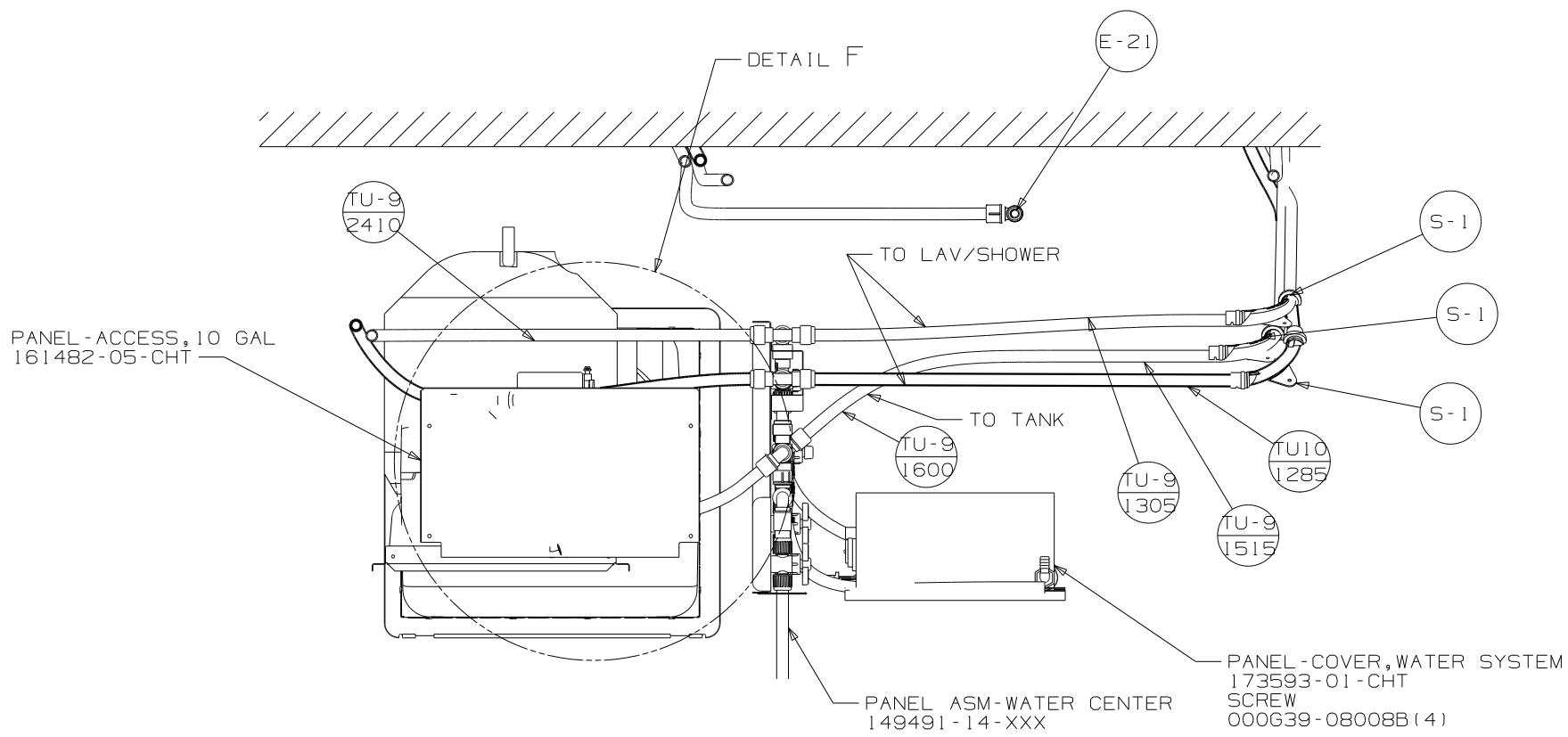
FIRST USED	10 J32H
DO NOT SCALE DRAWING	
TITLE:	WATER SYSTEM INSTL
SHEET 2	PART NO 170811 REV



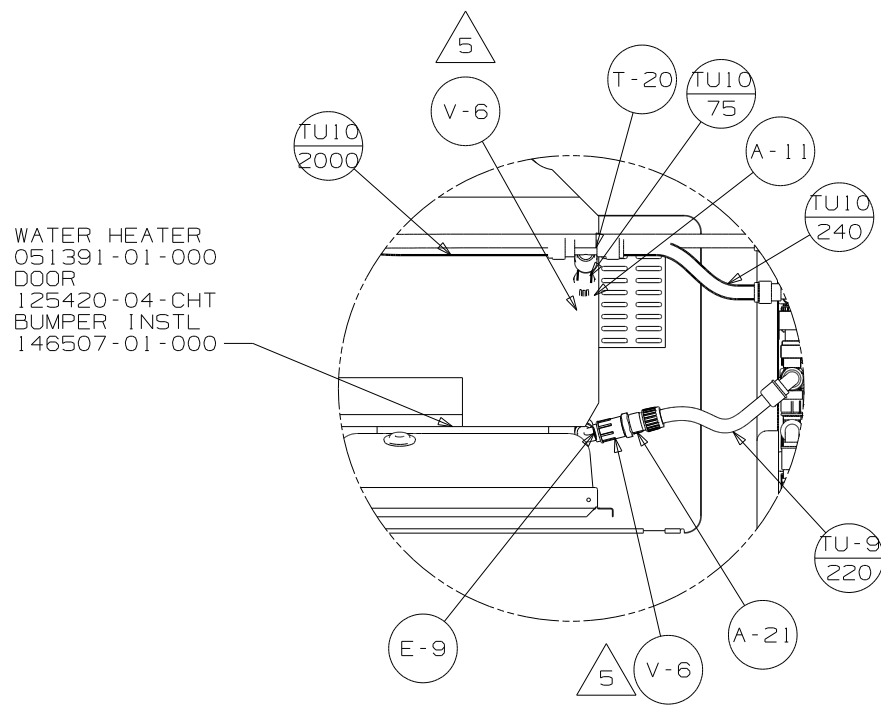
PANEL - SERVICE CENTER
136034-13-CHT

F-2 VIEW C INLET-WATER FLUSHING SYSTEM
125697-05-000

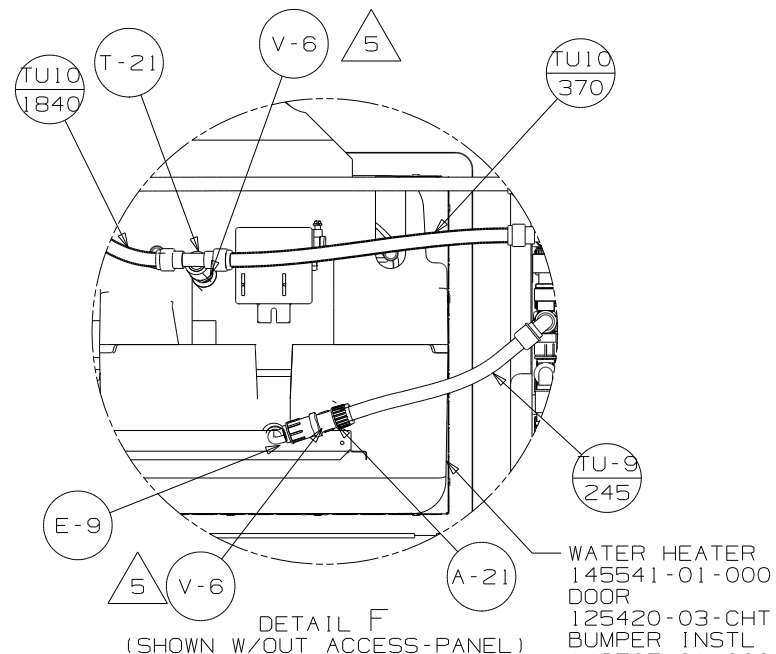
FIRST USED	10 J32H
DO NOT SCALE DRAWING	
TITLE:	WATER SYSTEM INSTL
SHEET 3	PART NO 170811 REV



SECTION E - E



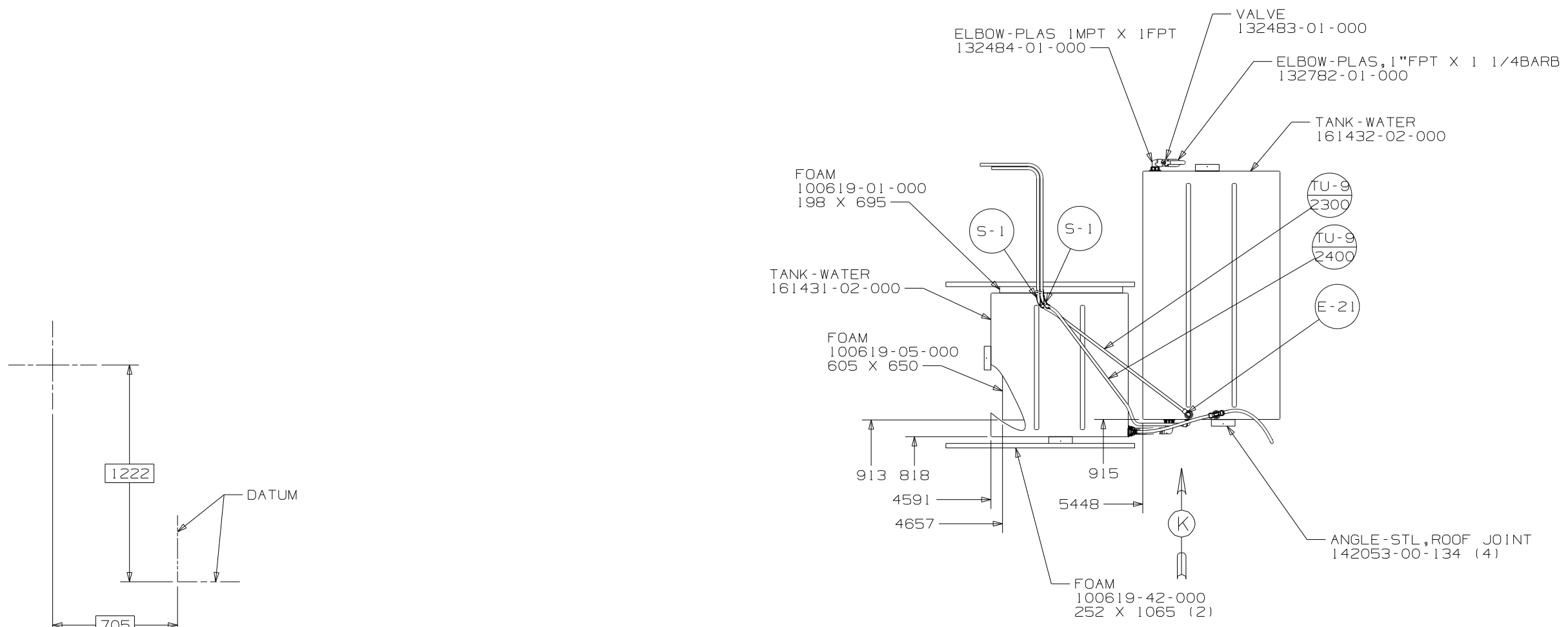
DETAIL F
(SHOWN W/OUT ACCESS-PANEL)
(611)



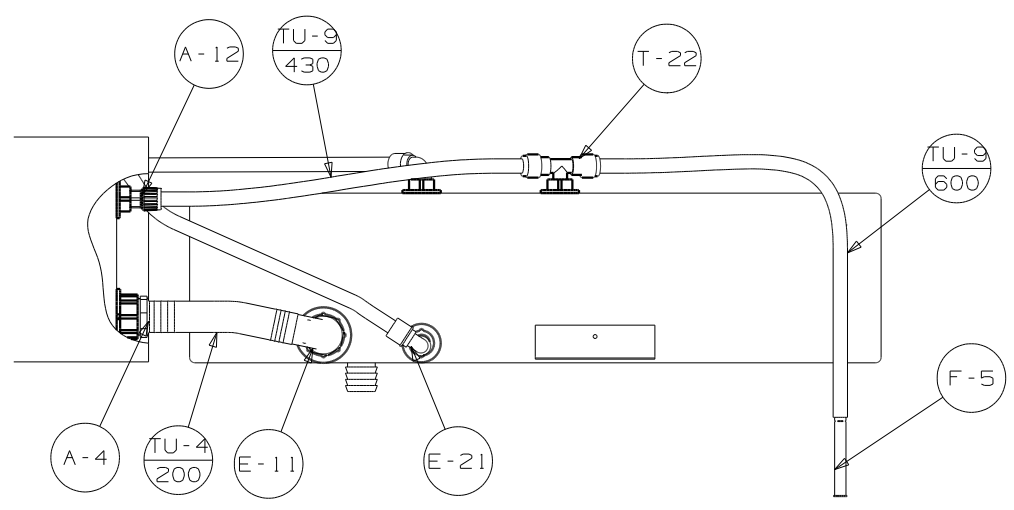
DETAIL F
(SHOWN W/OUT ACCESS-PANEL)
(1B2)

WATER HEATER
145541-01-000
DOOR
125420-03-CHT
BUMPER INSTL
146507-01-000

FIRST USED	10 J32H
DO NOT SCALE DRAWING	
TITLE	WATER SYSTEM INSTL
SHEET 4	PART NO 170811 REV



TOP VIEW
(ONLY SHOWING TANKS AND PIPING TO TANKS)



VIEW K

FIRST USED	10 J32H	
TITLE	DO NOT SCALE DRAWING	
TITLE	WATER SYSTEM INSTL	
SHEET 5	PART NO 170811	REV