

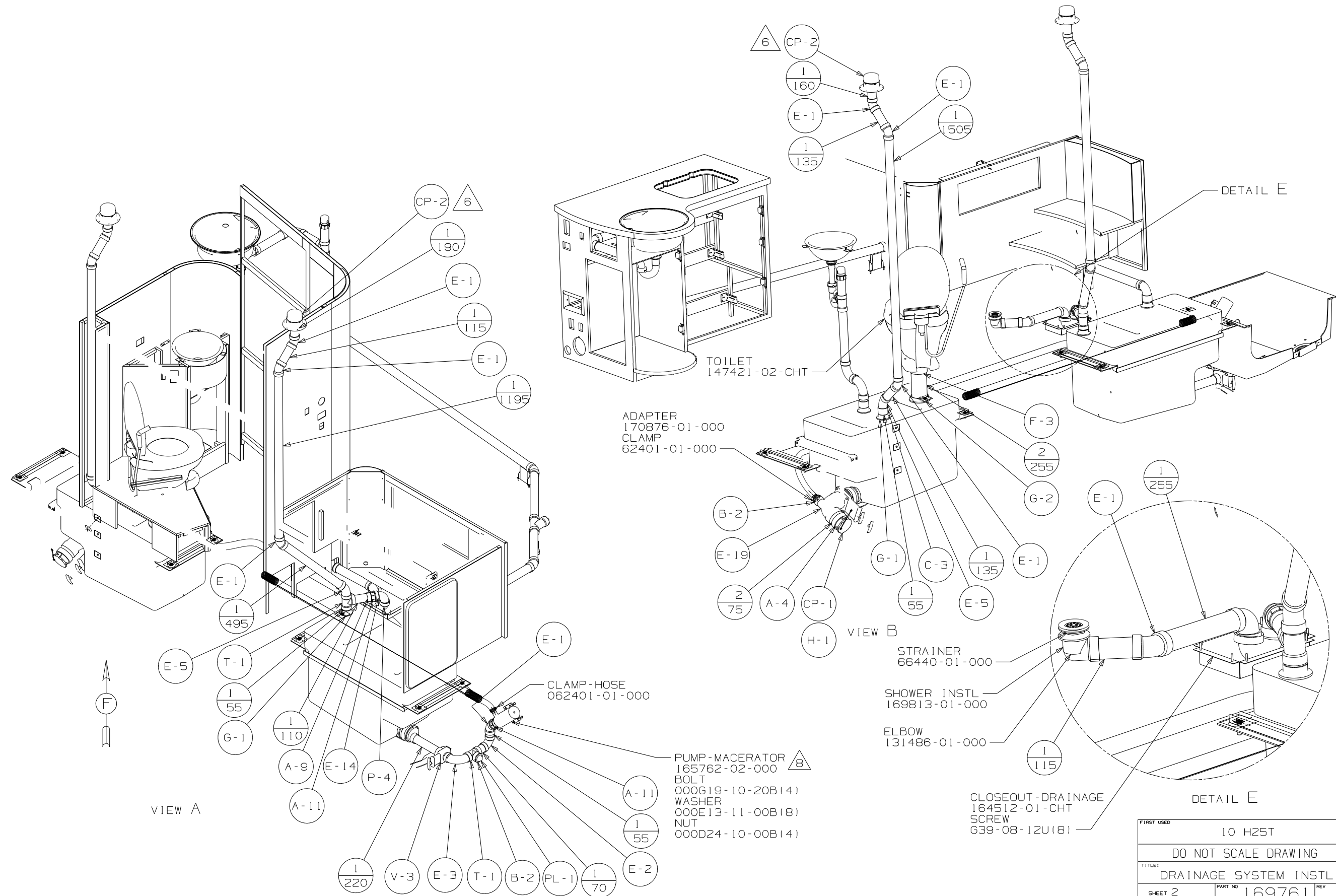
- (1JD) DRAINAGE SYSTEM-HEATED-W/O
- (23T) DRAINAGE SYSTEM-HEATED
- (464) TOILET
- (265) CODES/STANDARDS-CSA/CMVSS
- (1B1) CODES/STANDARDS USA

- 8 FOLLOW SEWAGE MACERATOR PUMP WINTERIZATION PROCEDURE. EACH PUMP REQUIRES TWO GALLONS OF RV ANTIFREEZE 157665-02-000.
- 7 SECURE VENT PIPE TO FLOOR WITH CLAMP 62401-02-000 (2), SCREW G67-10-12B (2), BRACKET 136878-01-CHT (2).
- 6 VENT PIPE MUST PROJECT 51 MIN AND 64 MAX ABOVE ROOF FOR PROPER FIT AND FUNCTION. ADD S-1 (116666-01-CHT SEAL-VENT PIPE) AROUND PIPE ON ROOF BEFORE VENT CAP IS INSTALLED.
5. SEAL AROUND SHOWER WITH SILICONE.
4. SECURE DRAINAGE PIPES TO CABINET USING WIRE TIE 108046-02-000, AND SCREW G67-10-12B AT INTERVALS OF NOT MORE THAN 4 FEET APART.
3. ALL PIPE AND FITTINGS TO BE ASSEMBLED WITH SOLVENT 4020-01-000 (USA), 4020-02-000 (CAN)
2. SLOPE OF TRAP ARM MUST BE 6 PER 305 mm.
1. SLOPE OF HORIZONTAL PIPING TO BE MINIMUM OF 3 PER 305 mm.

NOTES:

WINNEBAGO		COPYRIGHT 2010 WINNEBAGO INDUSTRIES, INC.	
DFTR	ORIG. DATE		
CHKR	ALL DIMENSIONS ARE IN MILLIMETERS		
P.E.	FIRST USED	10 H25T	
M.E.			
DSNR			
UNSPECIFIED TOLERANCES ARE:		MATERIAL:	
WHOLE DIM (X.)	: 3		
ONE-PLACE (X.X)	: 1.5		
TWO-PLACE (X.XX)	: 0.50		
ANGLE	: 1°		
THIRD ANGLE PROJECTION			
DO NOT SCALE DRAWING	REFER TO ES0018 FOR FASTENER TIGHTENING GUIDELINES		
TITLE: DRAINAGE SYSTEM INSTL			
SHEET 1 OF 4	PART NO	169761	REV
REF:	1 5/20/2010		

(X-X)
FOR
DRAINAGE
CALLOUTS
SEE DWG NO
116229-01-000

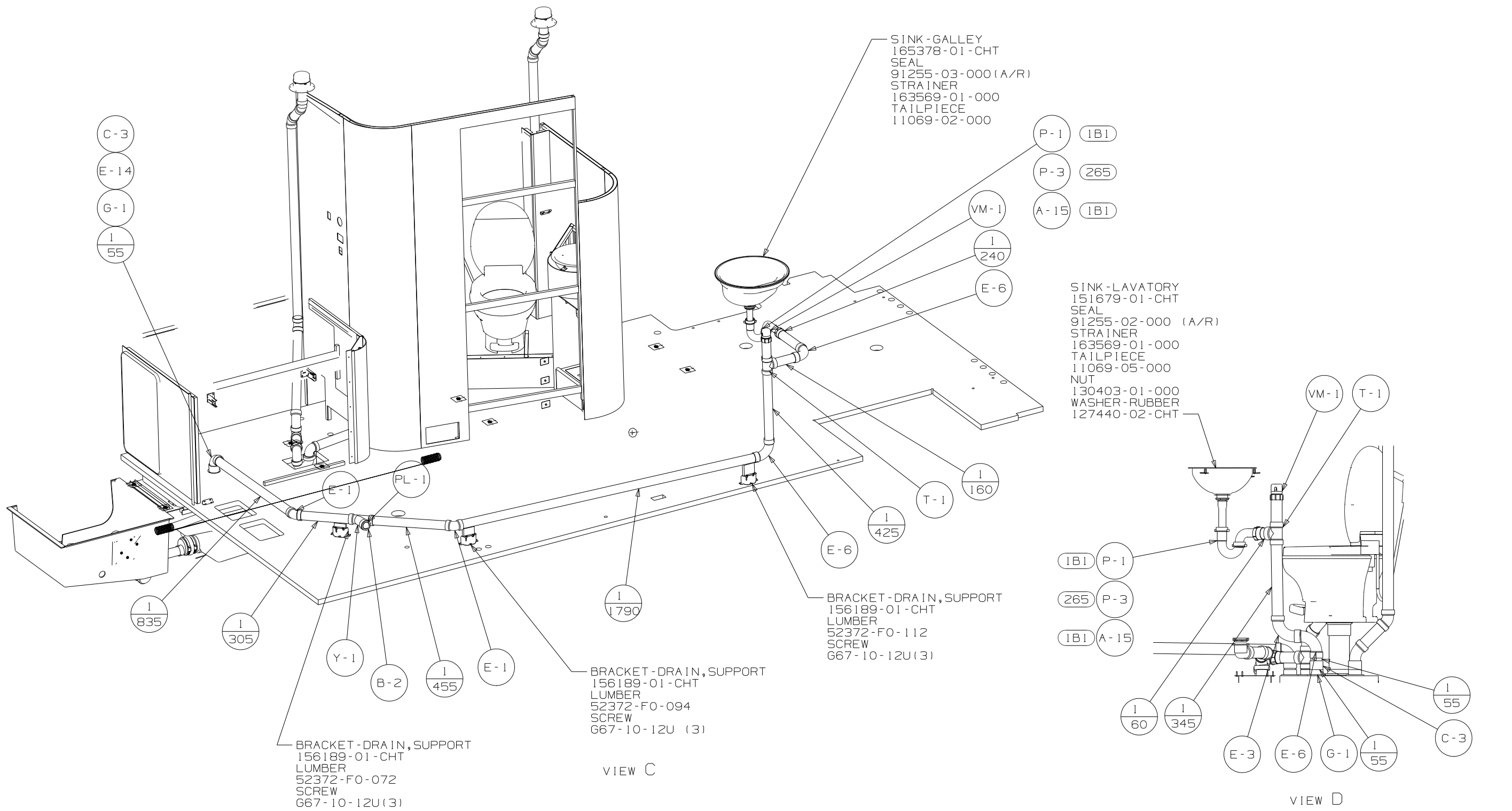


VIEW A

VIEW B

DETAIL E

FIRST USED	10 H25T
TITLE	DO NOT SCALE DRAWING
TITLE	DRAINAGE SYSTEM INSTL
SHEET 2	PART NO 169761 REV



SINK - GALLEY
 165378-01-CHT
 SEAL
 91255-03-000 (A/R)
 STRAINER
 163569-01-000
 TAILPIECE
 11069-02-000

P-1 (1B1)
 P-3 (265)
 A-15 (1B1)

SINK - LAVATORY
 151679-01-CHT
 SEAL
 91255-02-000 (A/R)
 STRAINER
 163569-01-000
 TAILPIECE
 11069-05-000
 NUT
 130403-01-000
 WASHER - RUBBER
 127440-02-CHT

BRACKET - DRAIN, SUPPORT
 156189-01-CHT
 LUMBER
 52372-F0-112
 SCREW
 G67-10-12U (3)

BRACKET - DRAIN, SUPPORT
 156189-01-CHT
 LUMBER
 52372-F0-094
 SCREW
 G67-10-12U (3)

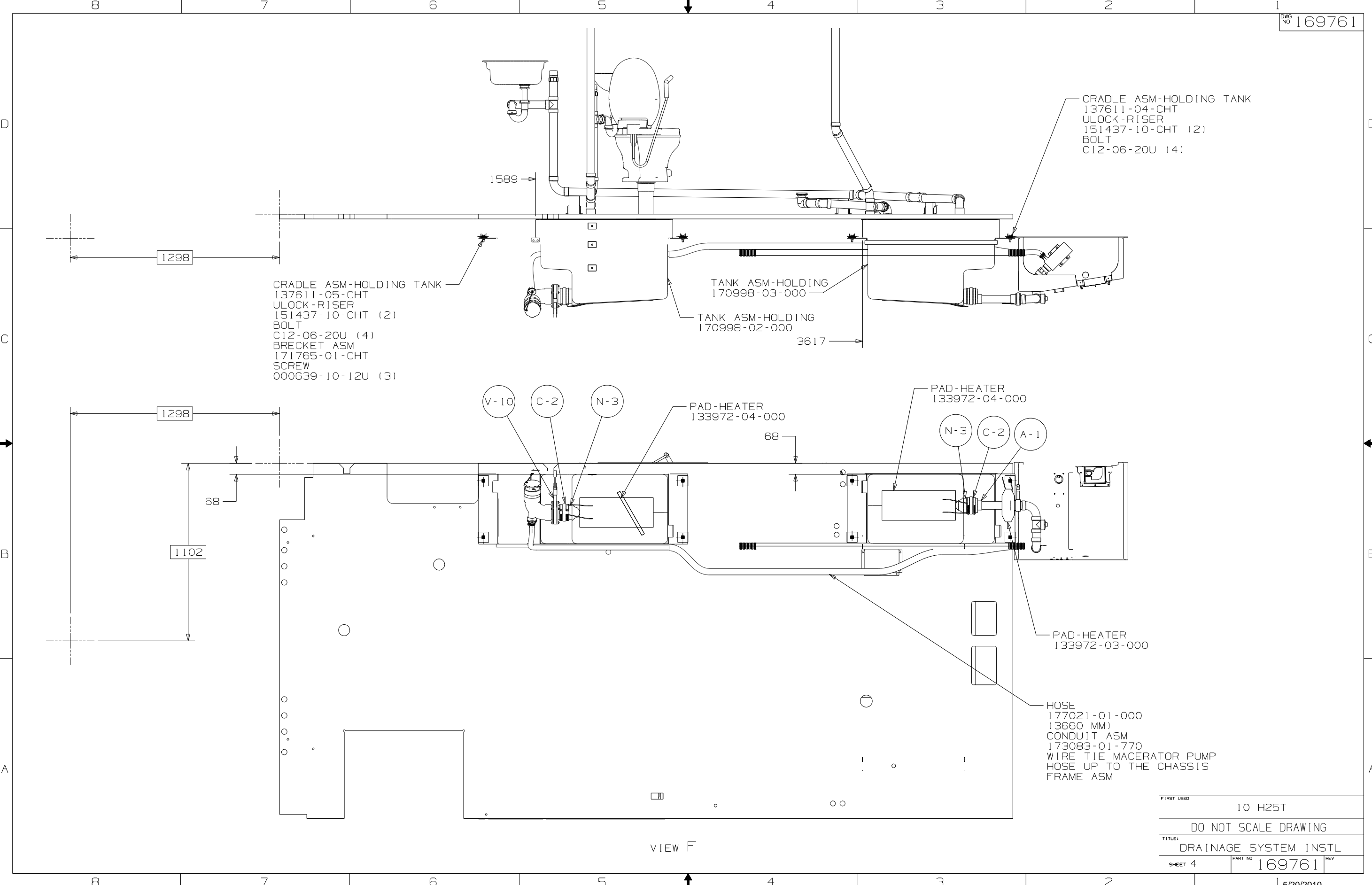
BRACKET - DRAIN, SUPPORT
 156189-01-CHT
 LUMBER
 52372-F0-072
 SCREW
 G67-10-12U (3)

VIEW C

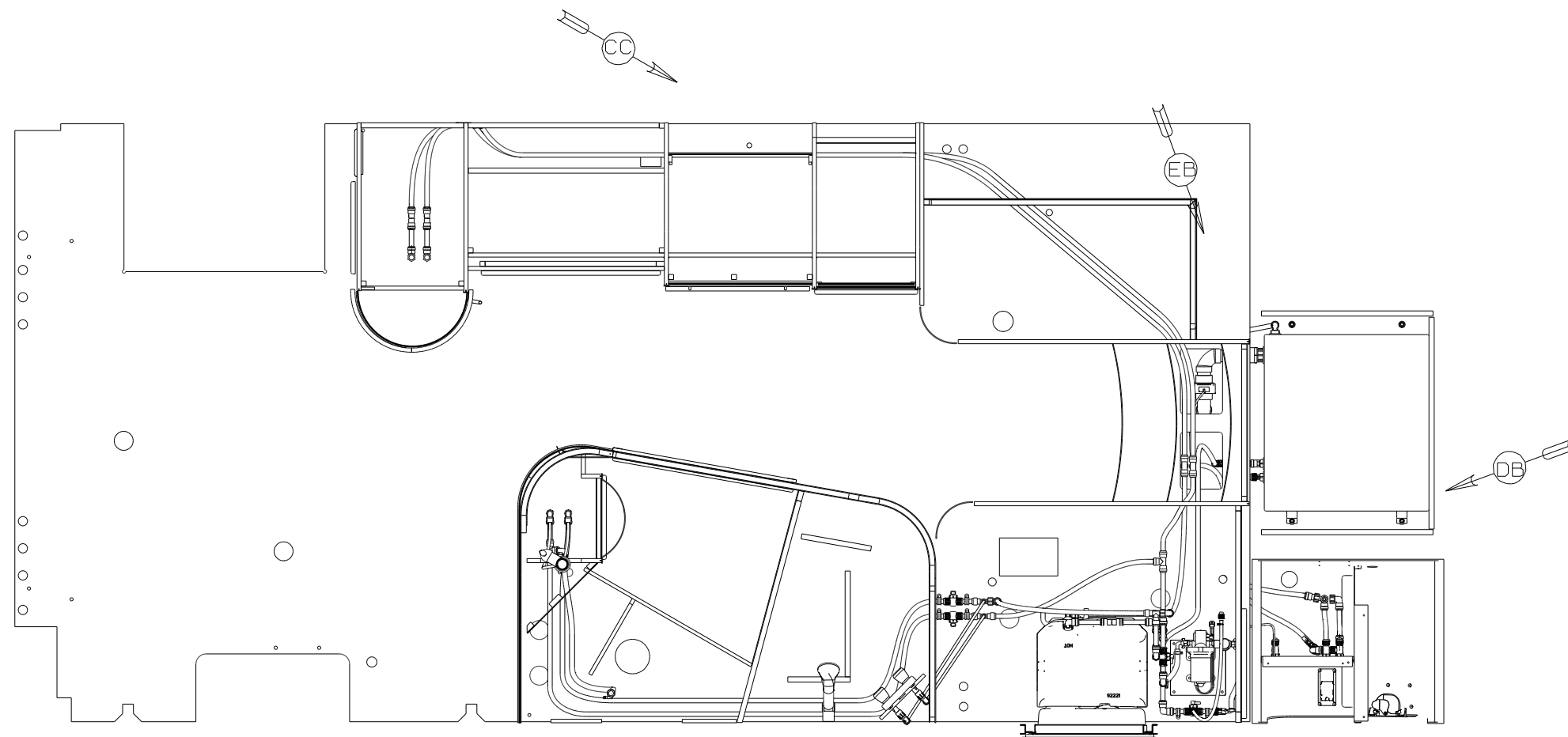
(1B1) P-1
 (265) P-3
 (1B1) A-15

VIEW D

FIRST USED		10 H25T	
DO NOT SCALE DRAWING			
TITLE: DRAINAGE SYSTEM INSTL			
SHEET 3	PART NO	169761	REV
1 5/20/2010			



FIRST USED	10 H25T
TITLE	DO NOT SCALE DRAWING DRAINAGE SYSTEM INSTL
SHEET 4	PART NO 169761 REV



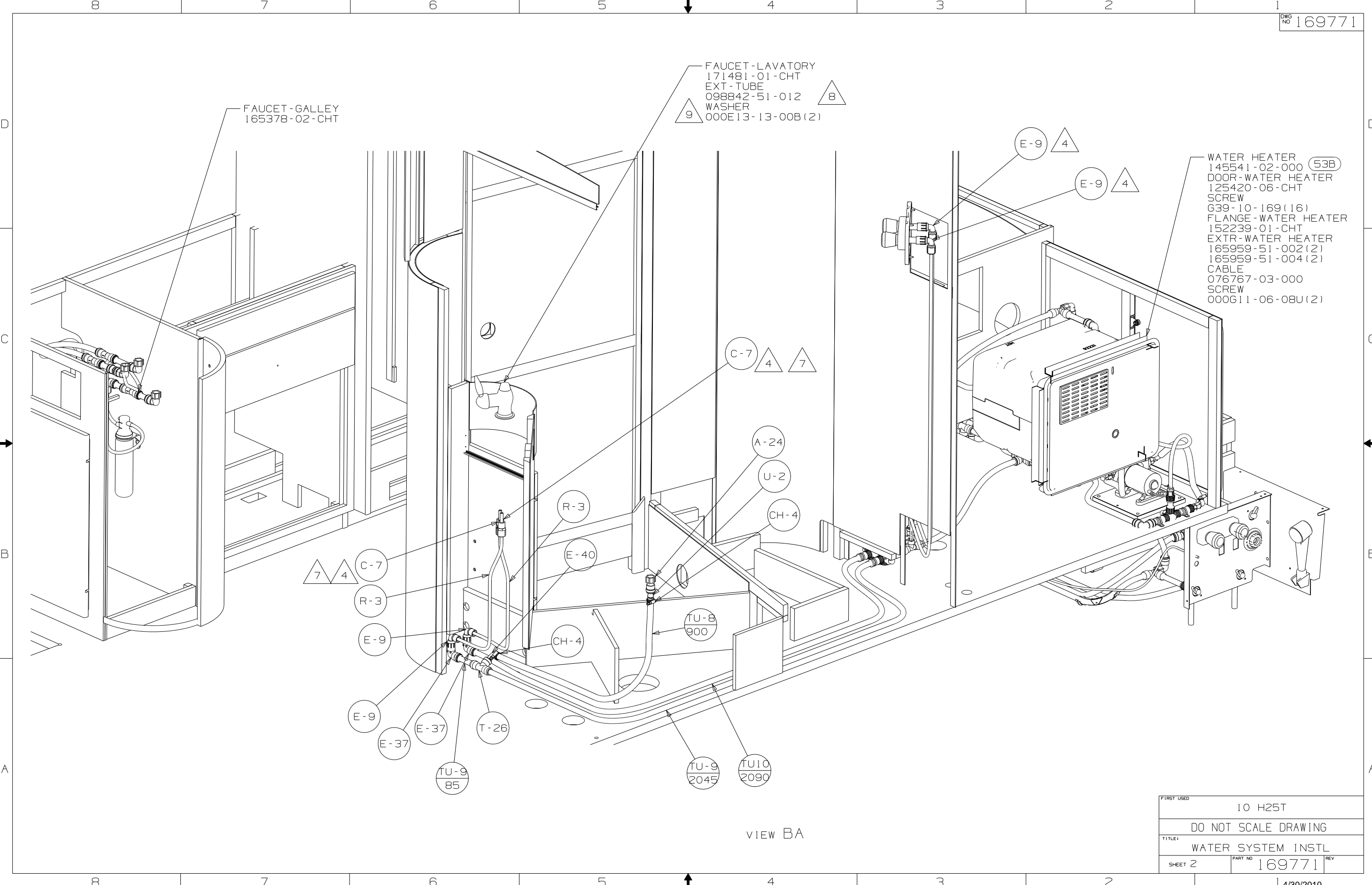
- 9 INSTALL BETWEEN MOUNTING PLATE AND RETAINING NUTS
 - 8 LAVATORY FAUCET SPOUT TO BE TURNED 180 DEGREES SO THE ON/OFF HANDLE IS FACING TOWARD THE SHOWER.
 - 7 INSTALL CONNECTOR WITH TAPERED END AWAY FROM FAUCET.
 - 6 ADD TEFLON TAPE 10405-03-000.
 - 5 ADD TEFLON TAPE 10405-02-000.
 - 4 ADD TEFLON TAPE 10405-01-000.
 - 3 ALL TUBING TO BE SECURED AT 1200 INTERVALS MAXIMUM WITH CLAMP 10495-01-000 AND SCREW G67-10-12B OR EQUIVALENT.
2. TUBING TO BE INSTALLED WITH SUFFICIENT SLOPE TO PROVIDE DRAINAGE TO NEAREST VALVE.
 1. PLASTIC FITTINGS TO BE SEALED WITH SEALANT 84456-01-000.

- 1J4 EXT WASH STATION - WITHOUT
- 501 WATER PURIFIER WITHOUT
- 29B WATER PURIFIER
- 64R EXTERIOR WASH STATION

WINNEBAGO		COPYRIGHT 2010 WINNEBAGO INDUSTRIES, INC.	
DFTR	ORIG. DATE	ALL DIMENSIONS ARE IN MILLIMETERS	
CHKR		FIRST USED	
P.E.		10 H25T	
M.E.		UNSPECIFIED TOLERANCES ARE:	
DSNR		WHOLE DIM (X) :	3
		ONE-PLACE (X.X) :	1.5
		TWO-PLACE (X.XX) :	0.50
		ANGLE :	1°
		THIRD ANGLE PROJECTION	
DO NOT SCALE DRAWING		REFER TO E50018 FOR FASTENER TIGHTENING GUIDELINES	
TITLE: WATER SYSTEM INSTL			
SHEET 1 OF 5	PART NO	169771	REV
REF:	1 4/30/2010		

FOR
WATER
CALLOUTS
SEE DWG NO
116230-01-000

NOTES:



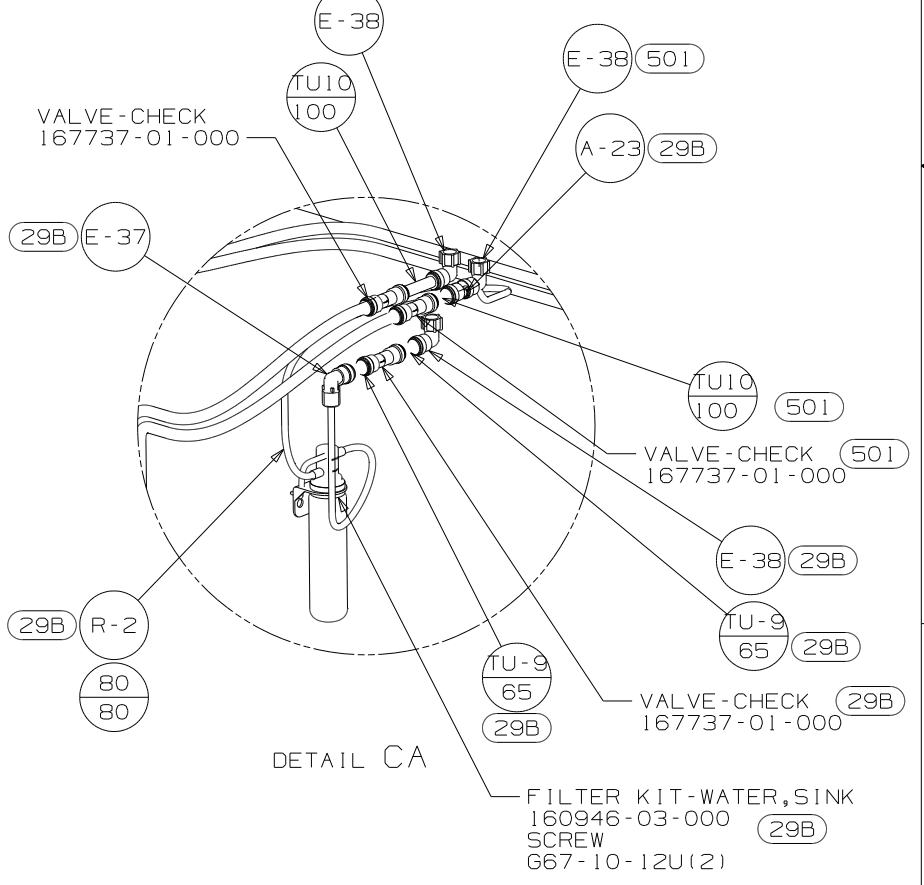
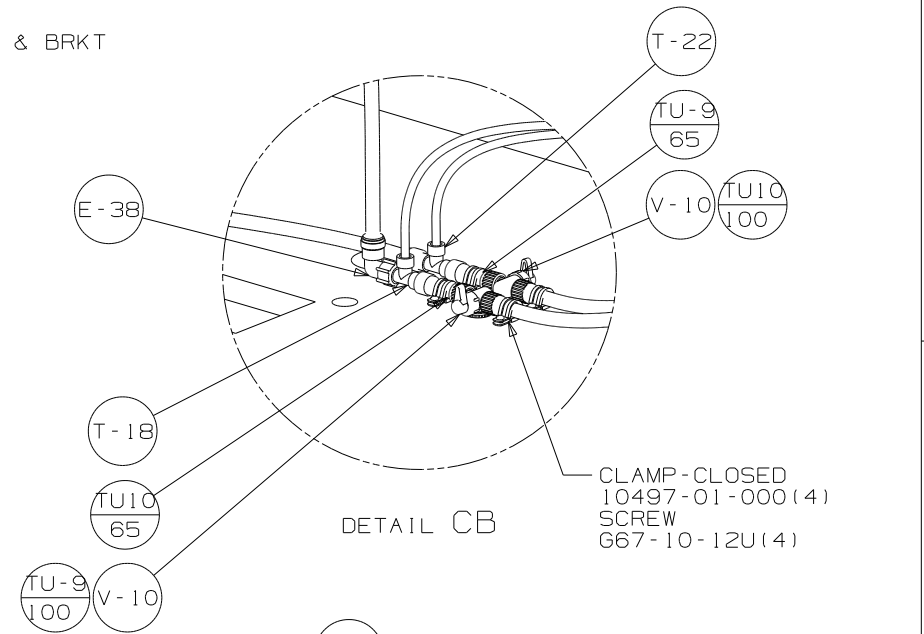
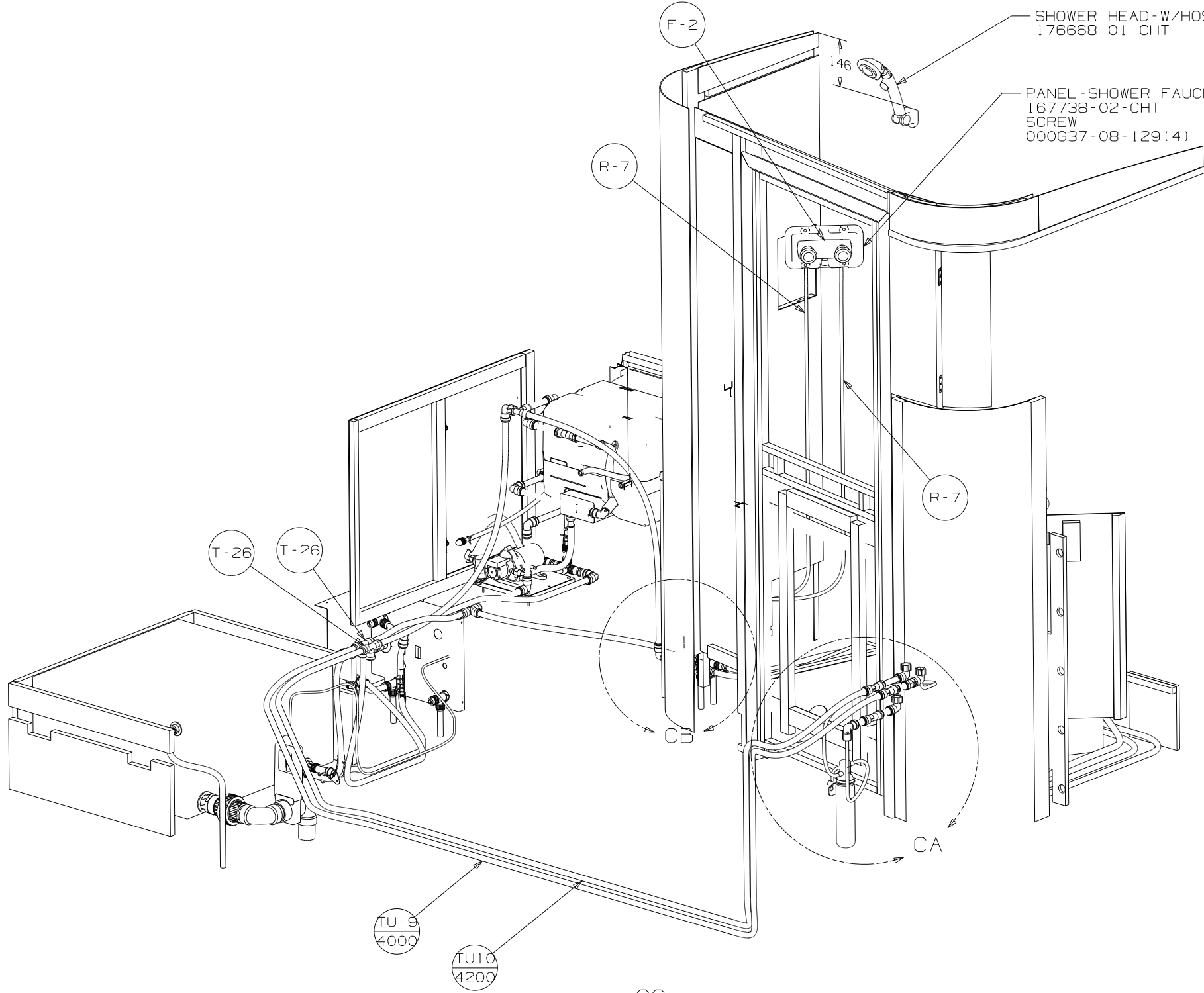
FAUCET - GALLEY
165378-02-CHT

FAUCET - LAVATORY
171481-01-CHT
EXT - TUBE
098842-51-012
WASHER
000E13-13-00B(2)

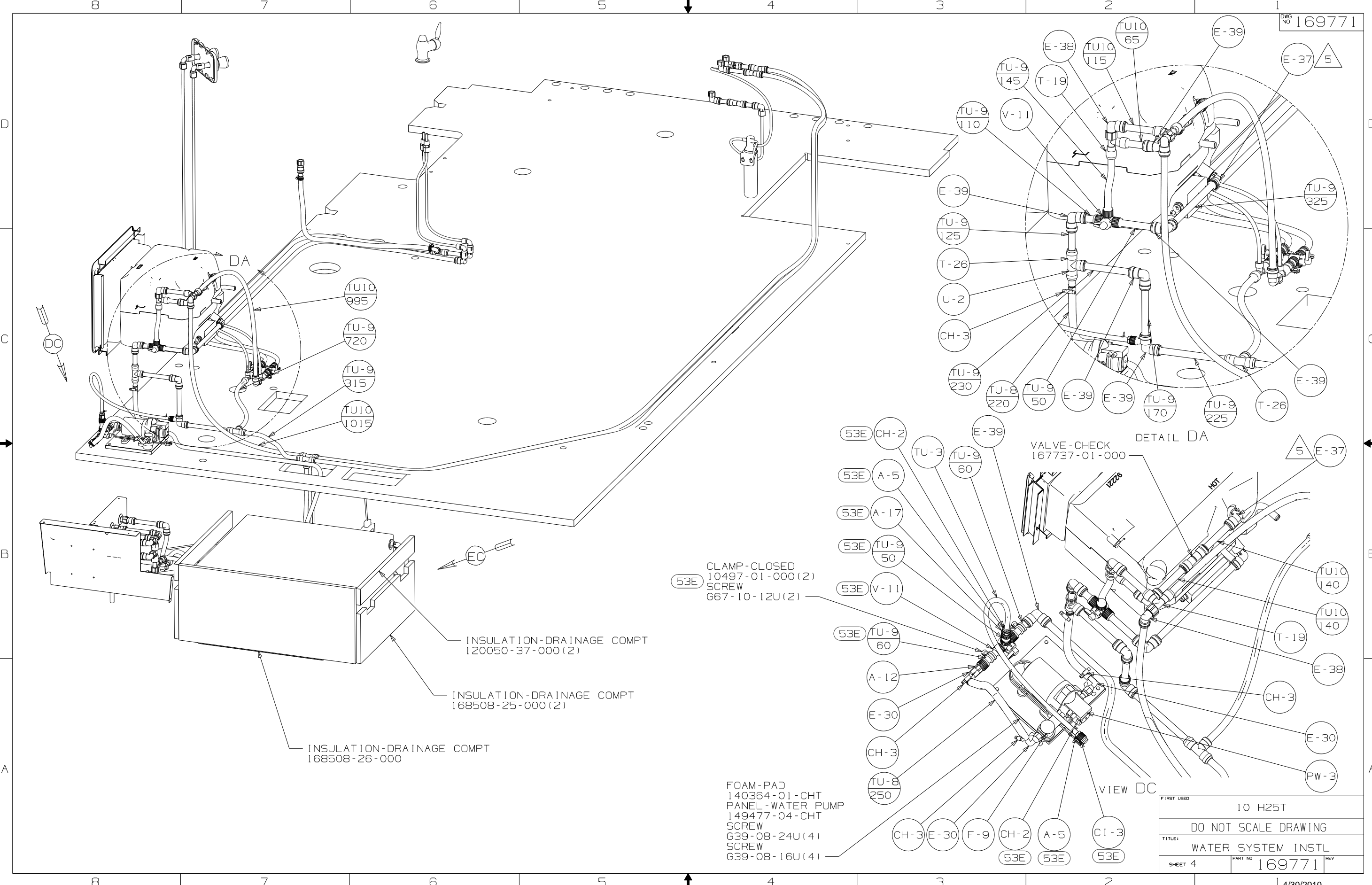
WATER HEATER
145541-02-000 (53B)
DOOR - WATER HEATER
125420-06-CHT
SCREW
G39-10-169(16)
FLANGE - WATER HEATER
152239-01-CHT
EXTR - WATER HEATER
165959-51-002(2)
165959-51-004(2)
CABLE
076767-03-000
SCREW
000G11-06-08U(2)

VIEW BA

FIRST USED		10 H25T	
DO NOT SCALE DRAWING			
TITLE: WATER SYSTEM INSTL			
SHEET 2	PART NO	169771	REV



FIRST USED	10 H25T	
TITLE:	DO NOT SCALE DRAWING	
SHEET 3	PART NO	169771
	REV	



DC

EC

INSULATION-DRAINAGE COMPT
120050-37-000 (2)

INSULATION-DRAINAGE COMPT
168508-25-000 (2)

INSULATION-DRAINAGE COMPT
168508-26-000

CLAMP-CLOSED
10497-01-000 (2)
SCREW
667-10-12U (2)

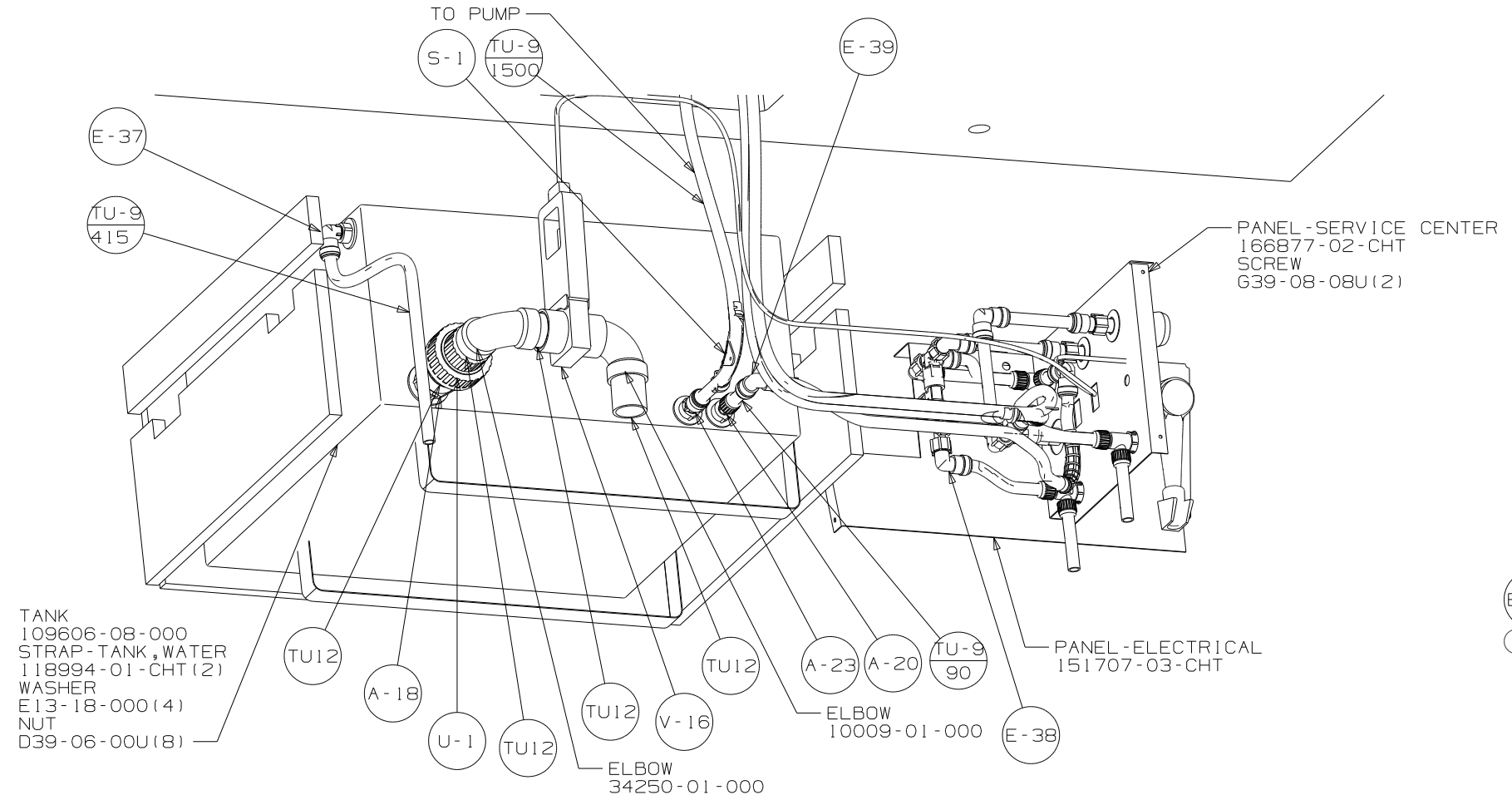
FOAM-PAD
140364-01-CHT
PANEL-WATER PUMP
149477-04-CHT
SCREW
G39-08-24U (4)
SCREW
G39-08-16U (4)

VALVE-CHECK
167737-01-000

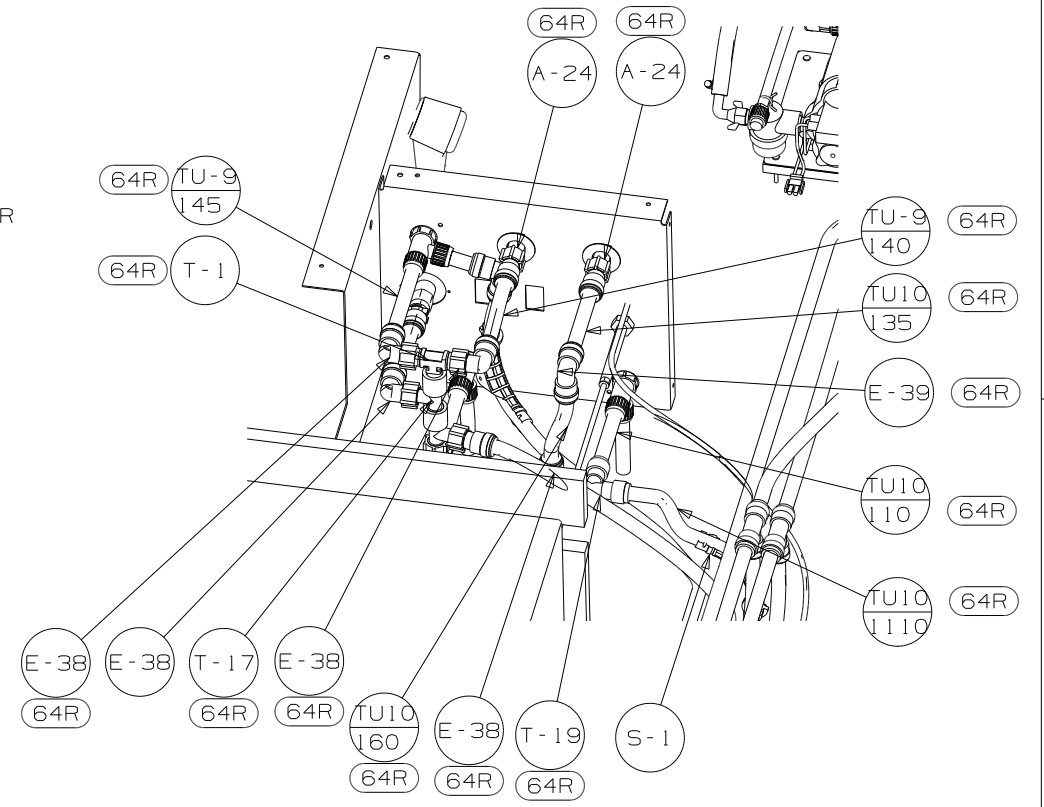
DETAIL DA

VIEW DC

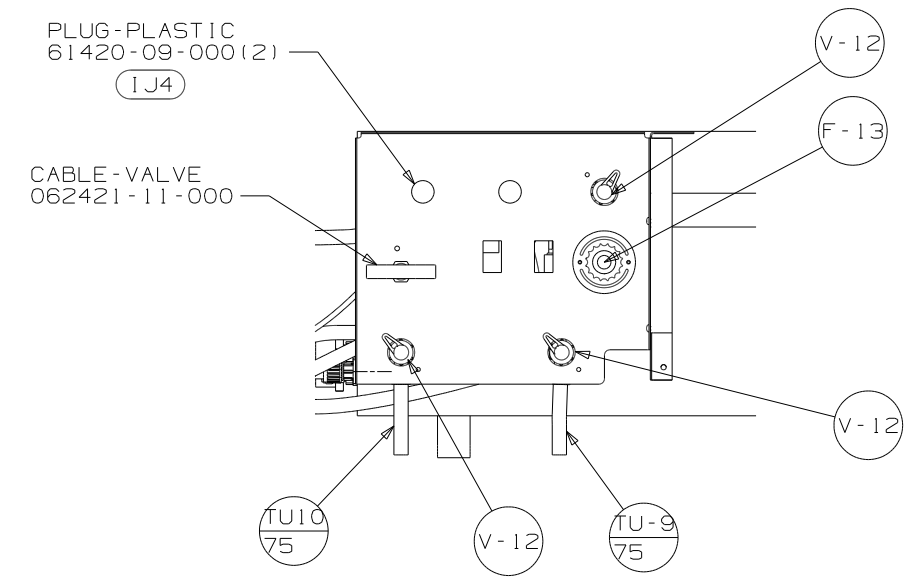
FIRST USED	10 H25T
TITLE	DO NOT SCALE DRAWING
TITLE	WATER SYSTEM INSTL
SHEET 4	PART NO 169771 REV



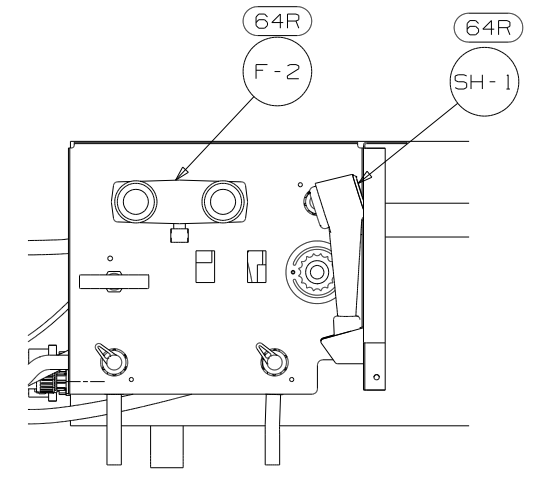
VIEW EC



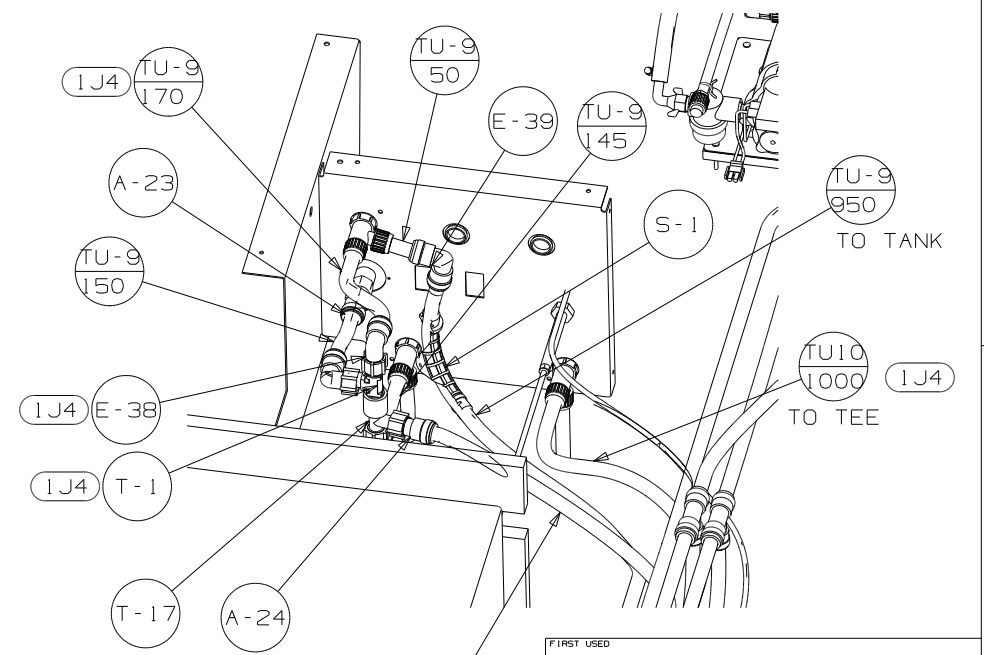
VIEW EB
(EXTERIOR SHOWER SHOWN)



VIEW EA
(EXTERIOR SHOWER WITHOUT SHOWN)



VIEW EA
(EXTERIOR SHOWER SHOWN)



VIEW EB
(EXTERIOR SHOWER WITHOUT SHOWN)

FIRST USED	10 H25T
TITLE:	DO NOT SCALE DRAWING
SHEET 5	PART NO 169771 REV