

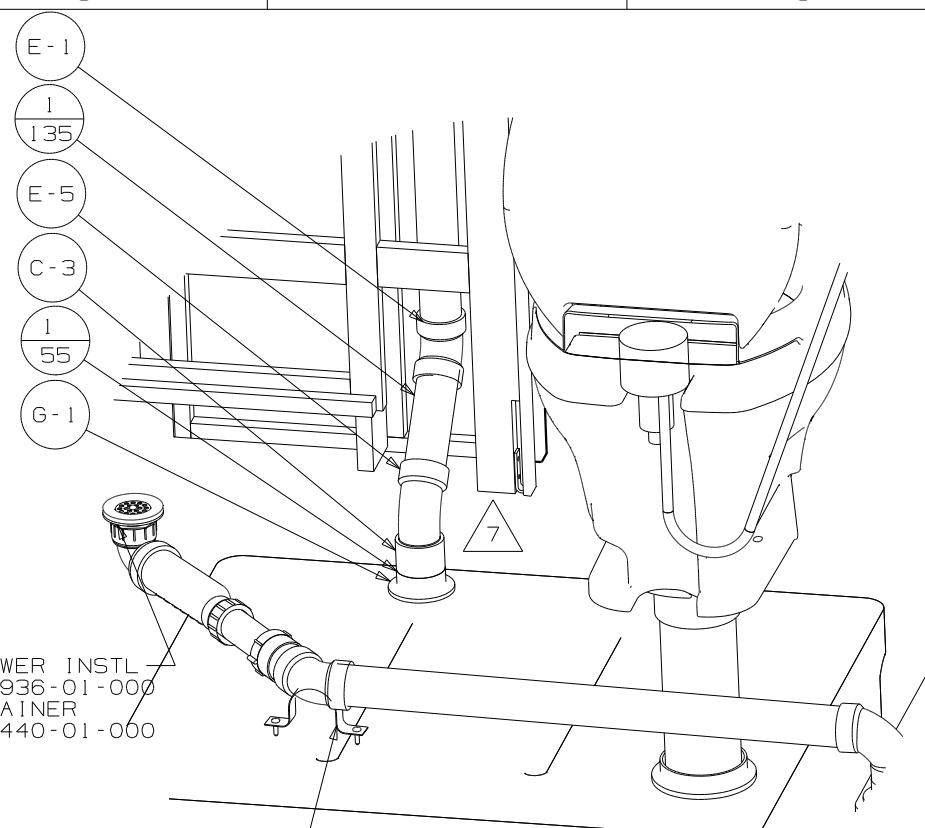
- (1JD) DRAINAGE SYSTEM-HEATED-W/O
- (23T) DRAINAGE SYSTEM-HEATED
- (464) TOILET
- (265) CODES/STANDARDS-CSA/CMVSS
- (1B1) CODES/STANDARDS USA

- 9 WATERLESS P-TRAP MUST BE INSTALLED WITH THE RIBS POINTING DOWN
 - 8 U-LOCKS TO BE INSTALLED BEFORE THE FRAME ASM IS BOLTED DOWN TO THE CHASSIS AND BEFORE THE SEAL PLANES ARE INSTALLED.
 - 7 SECURE VENT PIPE TO FLOOR WITH CLAMP 062401-02-000 (2), SCREW 000667-10-12B (2), BRACKET 136878-01-CHT (2).
 - 6 VENT PIPE MUST PROJECT 51 MIN AND 64 MAX ABOVE ROOF FOR PROPER FIT AND FUNCTION. ADD S-1 (116666-01-CHT SEAL-VENT PIPE) AROUND PIPE ON ROOF BEFORE VENT CAP IS INSTALLED.
5. SEAL AROUND SHOWER WITH SILICONE.
 4. SECURE DRAINAGE PIPES TO CABINET USING WIRE TIE 108046-02-000, AND SCREW 000667-10-12B AT INTERVALS OF NOT MORE THAN 4 FEET APART.
 3. ALL PIPE AND FITTINGS TO BE ASSEMBLED WITH SOLVENT 004020-01-000 (USA), 004020-02-000 (CAN)
 2. SLOPE OF TRAP ARM MUST BE 6 PER 305 mm.
 1. SLOPE OF HORIZONTAL PIPING TO BE MINIMUM OF 3 PER 305 mm.

NOTES:

(X-X)
FOR
DRAINAGE
CALLOUTS
SEE DWG NO
116229-01-000

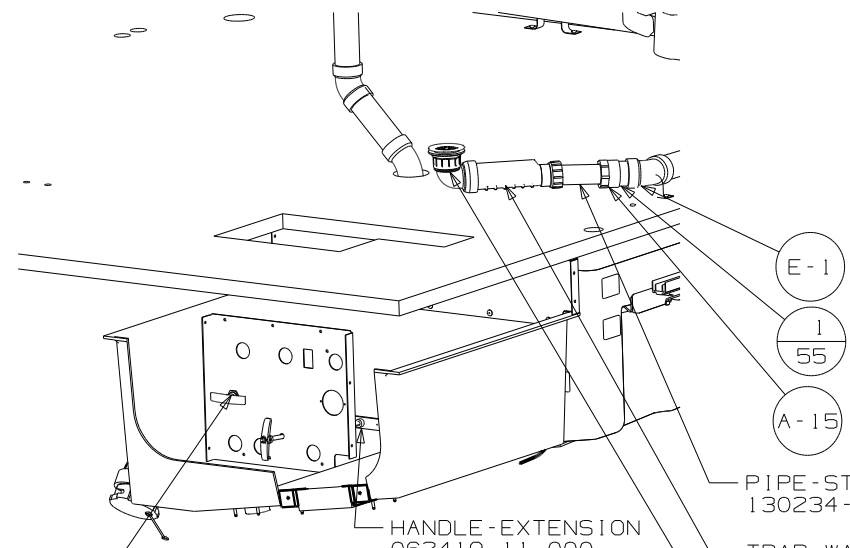
WINNEBAGO		COPYRIGHT 2010 WINNEBAGO INDUSTRIES, INC.	
DFTR	ORIG. DATE	ALL DIMENSIONS ARE IN MILLIMETERS	
CHKR		FIRST USED	
P.E.		10 H25R	
M.E.		UNSPECIFIED TOLERANCES ARE:	
DSNR		WHOLE DIM (X.)	: 3
		ONE-PLACE (X.X)	: 1.5
		TWO-PLACE (X.XX)	: 0.50
		ANGLE	: 1°
		THIRD ANGLE PROJECTION	
DO NOT SCALE DRAWING		REFER TO ES0018 FOR FASTENER TIGHTENING GUIDELINES	
TITLE: DRAINAGE SYSTEM INSTL			
SHEET 1 OF 4	PART NO	171864	REV
REF:	1/22/2010		



SHOWER INSTL
147936-01-000
STRAINER
066440-01-000

STRAP-CONDUIT, 2"
8406-01-000
SCREW
000667-10-12U(2)

DETAIL BB



CABLE ASM
062421-11-000

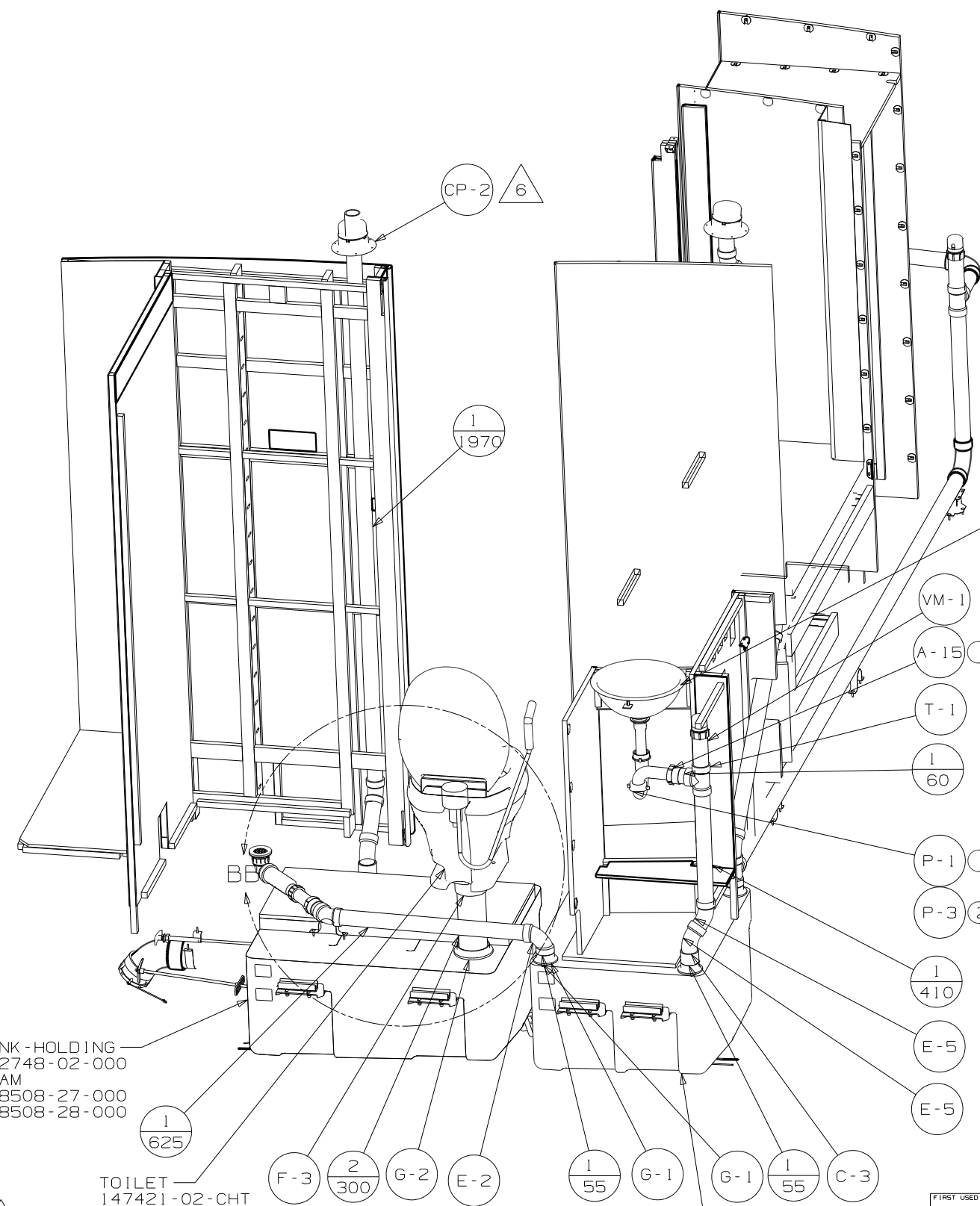
VIEW BC

HANDLE-EXTENSION
062419-11-000
062419-05-000
062419-06-000
BOLT
000G18-08-10B(2)
NUT
000D65-08-00B(2)

PIPE-STAND
130234-02-000

TRAP-WATERLESS
165406-01-000

ADAPTER
165406-02-000



TANK-HOLDING
172748-02-000
FOAM
168508-27-000
168508-28-000

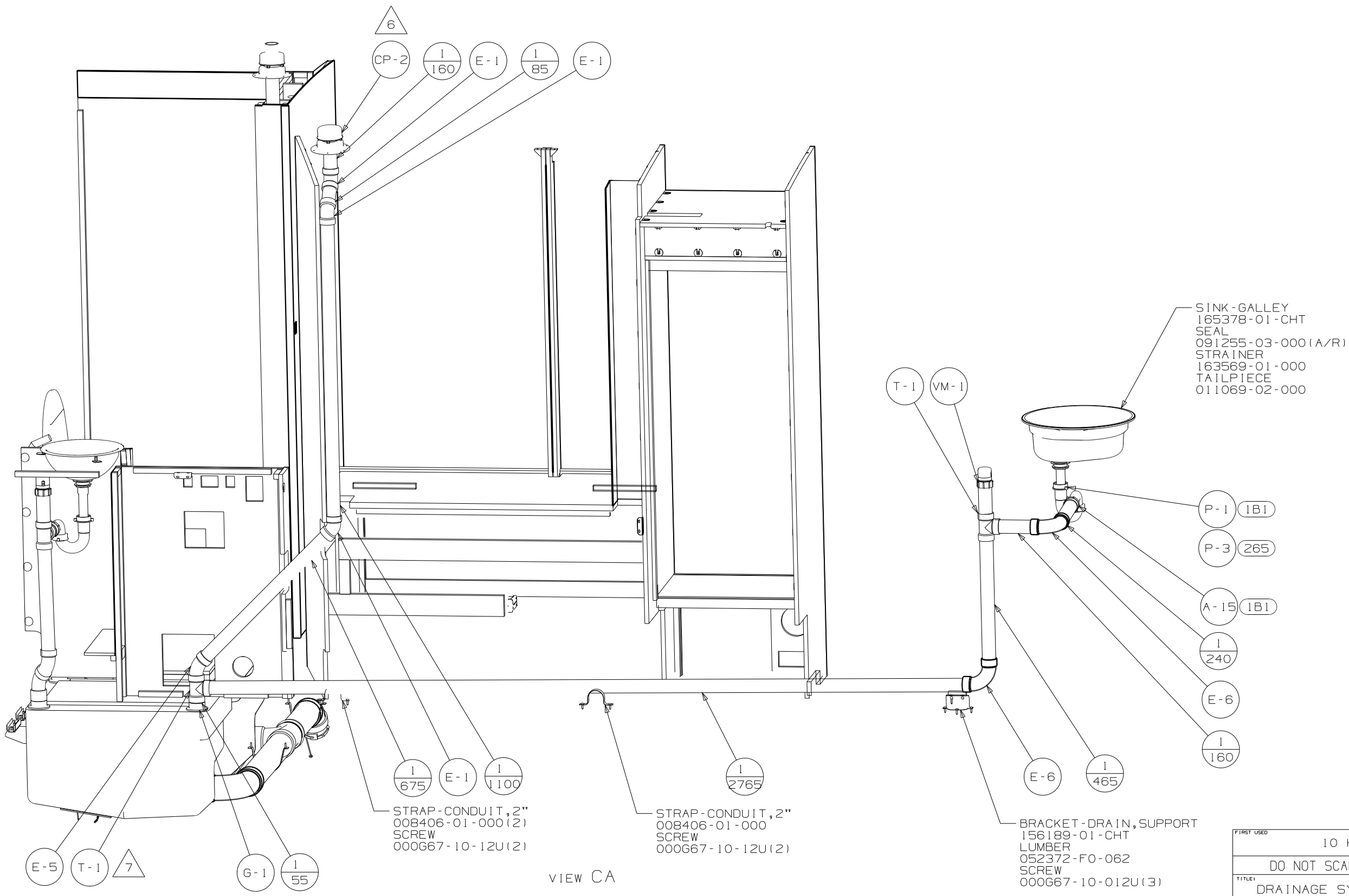
TOILET
147421-02-CHT

VIEW BA

SINK-LAVATORY
151679-01-CHT
SEAL
091255-02-000 (A/R)
STRAINER
163569-01-000
TAILPIECE
011069-05-000
NUT
130403-01-000
WASHER
127440-02-CHT

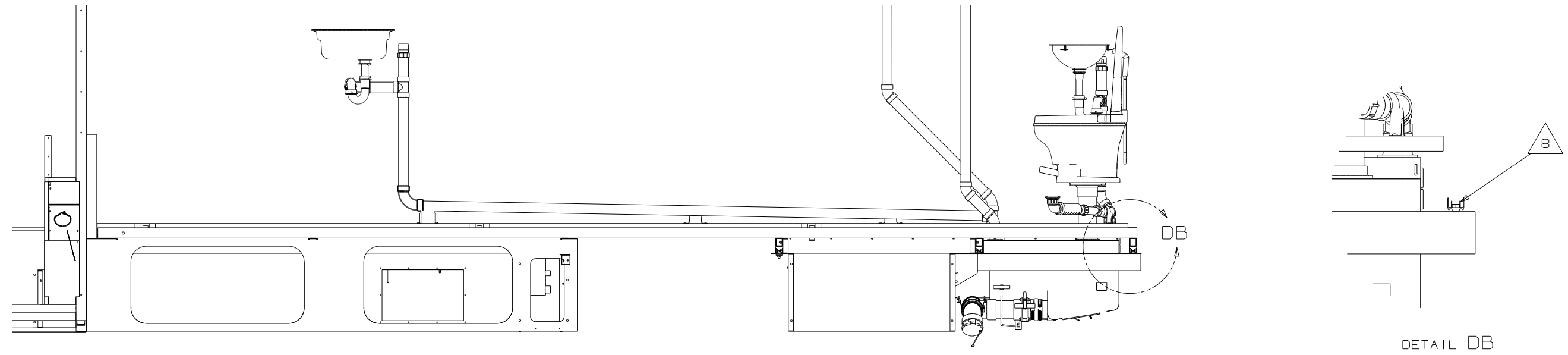
TANK-HOLDING
173100-02-000
FOAM
120050-28-000

FIRST USED	10 H25R
TITLE	DO NOT SCALE DRAWING
SHEET 2	DRAINAGE SYSTEM INSTL
PART NO	171864
REV	



VIEW CA

FIRST USED	10 H25R
DO NOT SCALE DRAWING	
TITLE	DRAINAGE SYSTEM INSTL
SHEET 3	PART NO 171864 REV

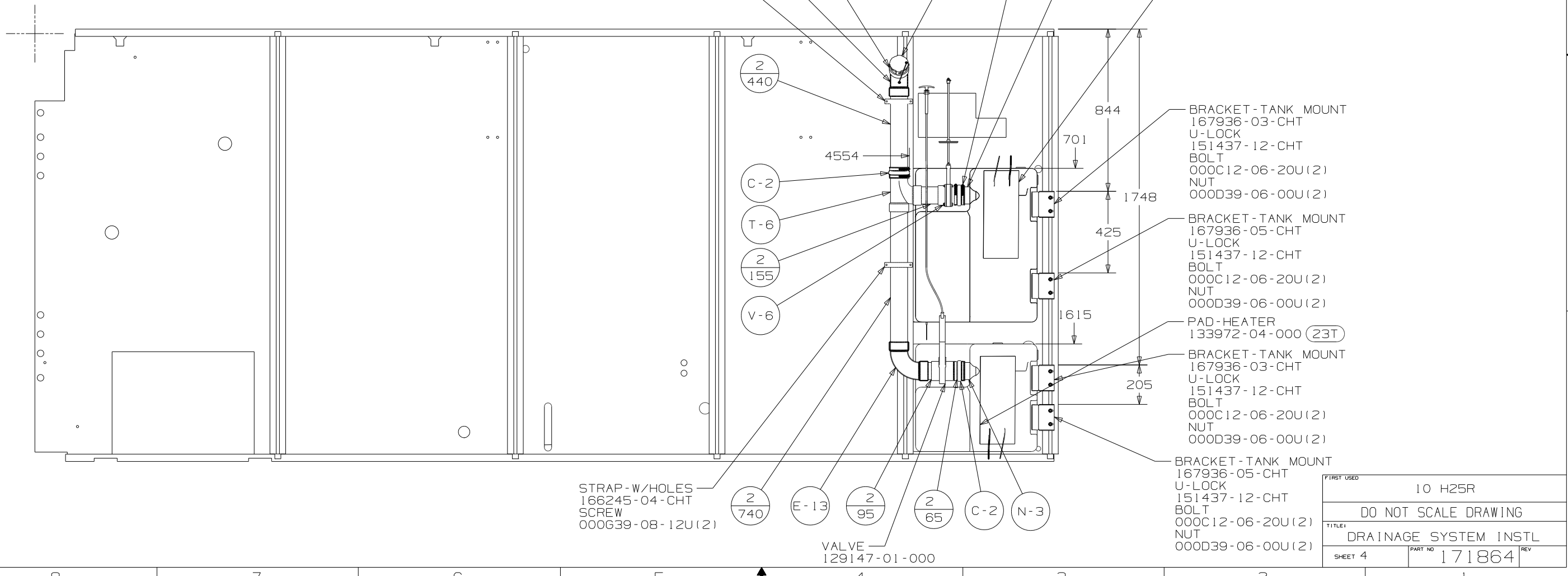


VIEW DA

DETAIL DB

STRAP - W/HOLES
 166245-04-CHT
 SCREW
 000639-08-12U(2)

PAD-HEATER (23T)
 133972-04-000



STRAP - W/HOLES
 166245-04-CHT
 SCREW
 000639-08-12U(2)

VALVE
 129147-01-000

BRACKET-TANK MOUNT
 167936-03-CHT
 U-LOCK
 151437-12-CHT
 BOLT
 000C12-06-20U(2)
 NUT
 000D39-06-00U(2)

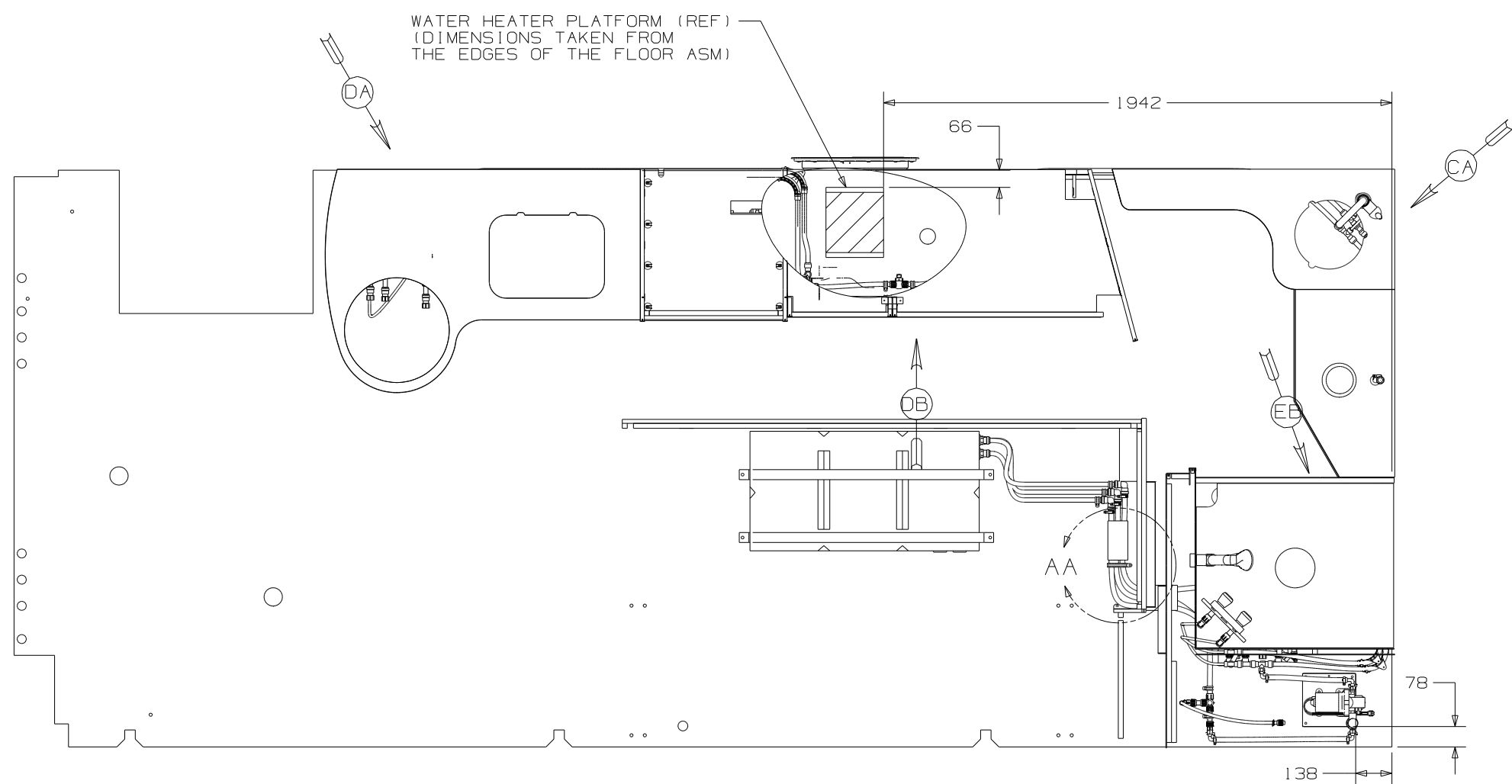
BRACKET-TANK MOUNT
 167936-05-CHT
 U-LOCK
 151437-12-CHT
 BOLT
 000C12-06-20U(2)
 NUT
 000D39-06-00U(2)

PAD-HEATER
 133972-04-000 (23T)

BRACKET-TANK MOUNT
 167936-03-CHT
 U-LOCK
 151437-12-CHT
 BOLT
 000C12-06-20U(2)
 NUT
 000D39-06-00U(2)

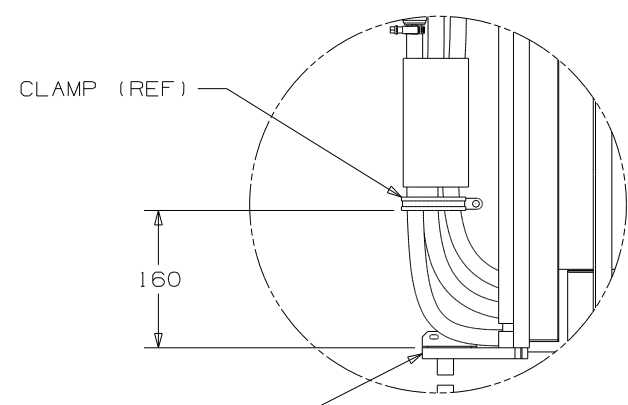
BRACKET-TANK MOUNT
 167936-05-CHT
 U-LOCK
 151437-12-CHT
 BOLT
 000C12-06-20U(2)
 NUT
 000D39-06-00U(2)

FIRST USED	10 H25R
DO NOT SCALE DRAWING	
TITLE:	DRAINAGE SYSTEM INSTL
SHEET 4	PART NO 171864 REV

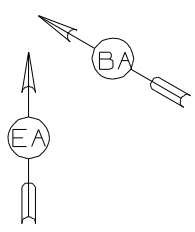


- (1J4) EXT WASH STATION - WITHOUT
- (64R) EXTERIOR WASH STATION
- (53E) WATER SYS WINTERIZATION PKG
- (53B) WTR HTR-6GAL ELECTRIC/LP GAS
- (501) WATER PURIFIER WITHOUT
- (29B) WATER PURIFIER

- 9 WATER TANK MOUNTING STRAP BOLTS AND NUTS ARE CALLED OUT ON SLIDEOUT ASM DRAWING.
 - 8 ENCASE FLEX WATER LINES IN CONVOLUTED TUBE (041953-15-000 (150 MM))
 - 7 INSTALL CONNECTOR WITH TAPERED END AWAY FROM FAUCET.
 - 6 ADD TEFLON TAPE 010405-03-000.
 - 5 ADD TEFLON TAPE 010405-02-000.
 - 4 ADD TEFLON TAPE 010405-01-000.
 - 3 ALL TUBING TO BE SECURED AT 1200 INTERVALS MAXIMUM WITH CLAMP 010495-01-000 AND SCREW 000667-10-12B OR EQUIVALENT.
2. TUBING TO BE INSTALLED WITH SUFFICIENT SLOPE TO PROVIDE DRAINAGE TO NEAREST VALVE.
1. PLASTIC FITTINGS TO BE SEALED WITH SEALANT 084456-01-000.



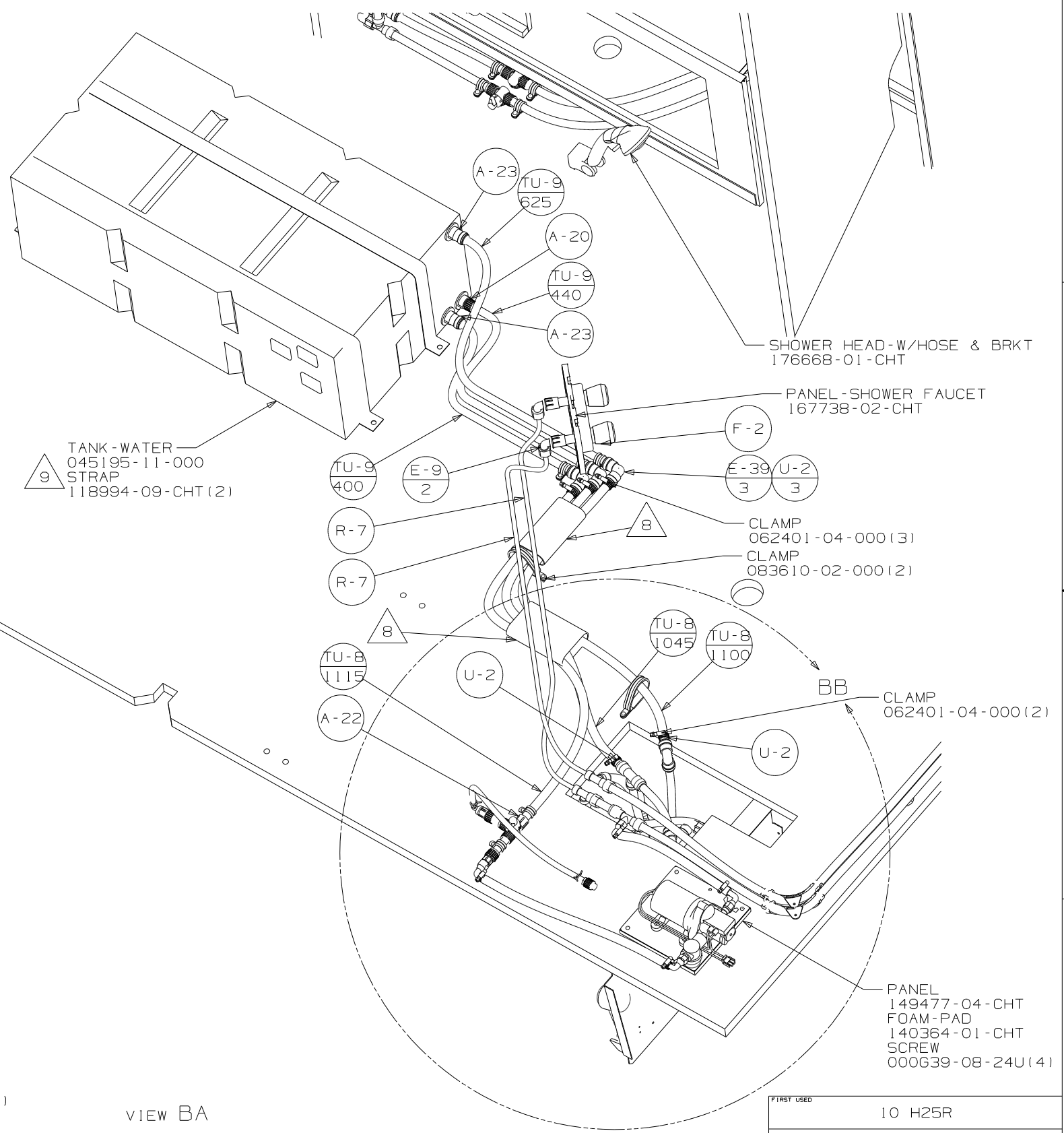
BEDBOARD MOUNTED TO SLIDEOUT WALL (REF)
 CLAMP (REF)
 DETAIL AA



(X-X)
 FOR WATER CALLOUTS
 SEE DWG NO
 116230-01-000

WINNEBAGO		COPYRIGHT 2010 WINNEBAGO INDUSTRIES, INC.	
DFTR	ORIG. DATE	ALL DIMENSIONS ARE IN MILLIMETERS	
CHKR		FIRST USED	
P.E.		10 H25R	
M.E.		UNSPECIFIED TOLERANCES ARE:	
DSNR		WHOLE DIM (X.X)	: 3
		ONE-PLACE (X.X)	: 1.5
		TWO-PLACE (X.XX)	: 0.50
		ANGLE	: 1°
THIRD ANGLE PROJECTION		MATERIAL:	
DO NOT SCALE DRAWING		REFER TO E50018 FOR FASTENER TIGHTENING GUIDELINES	
TITLE: WATER SYSTEM INSTL			
SHEET 1 OF 5	PART NO	171871	REV
REF:	1 4/30/2010		

NOTES:



TANK-WATER
045195-11-000
STRAP
118994-09-CHT (2)

SHOWER HEAD-W/HOSE & BRKT
176668-01-CHT

PANEL-SHOWER FAUCET
167738-02-CHT

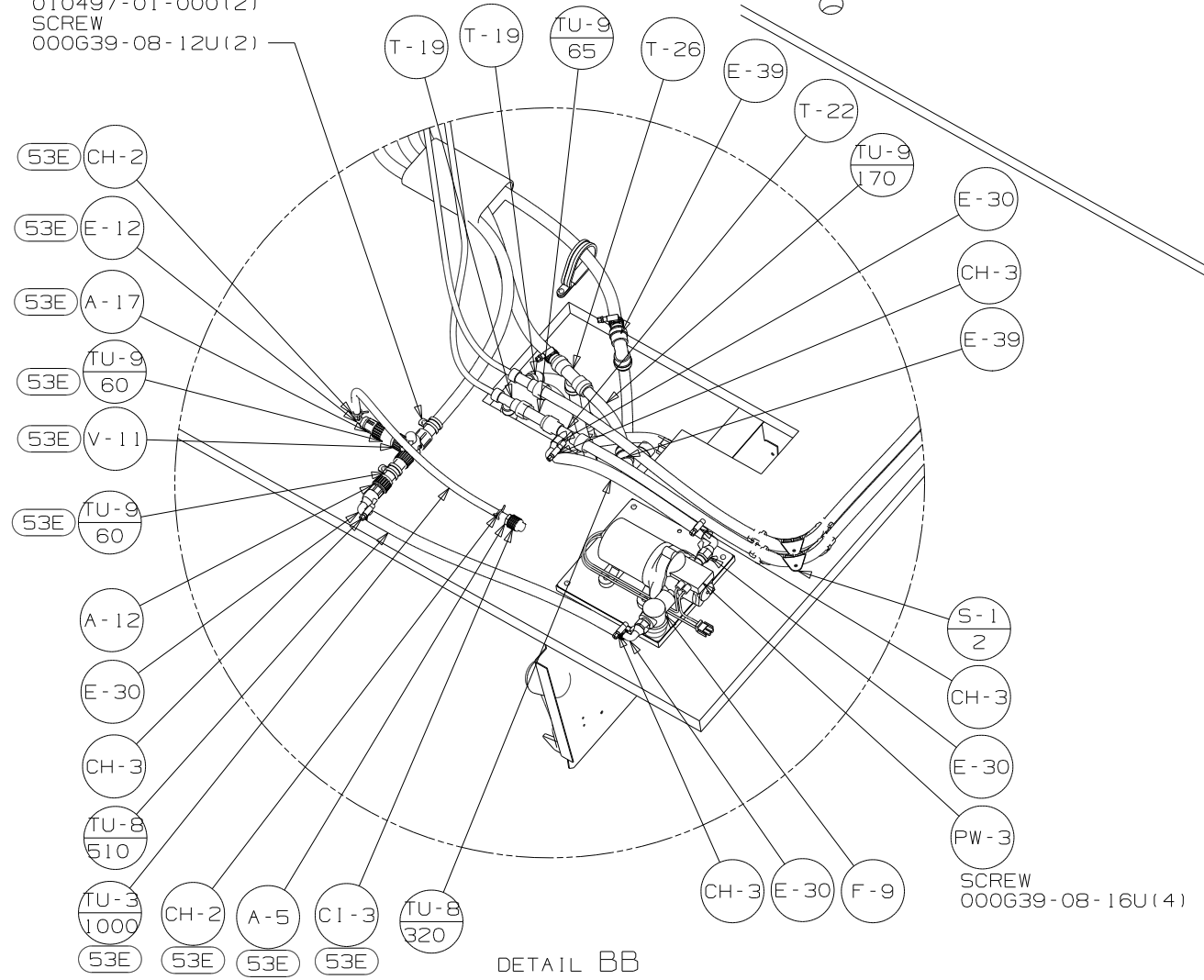
CLAMP
062401-04-000 (3)

CLAMP
083610-02-000 (2)

CLAMP
062401-04-000 (2)

PANEL
149477-04-CHT
FOAM-PAD
140364-01-CHT
SCREW
000639-08-24U (4)

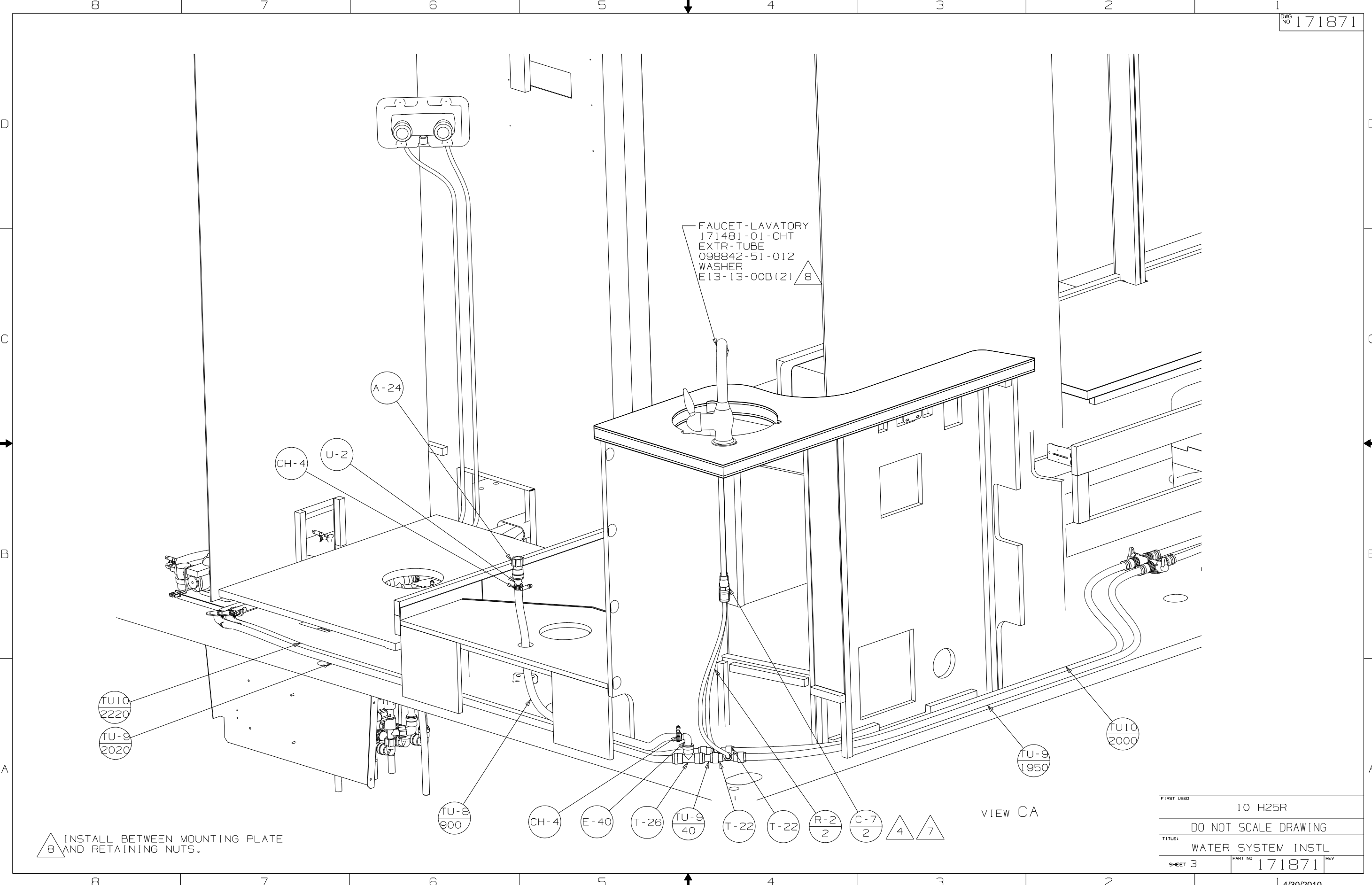
CLAMP
010497-01-000 (2)
SCREW
000639-08-12U (2)



DETAIL BB

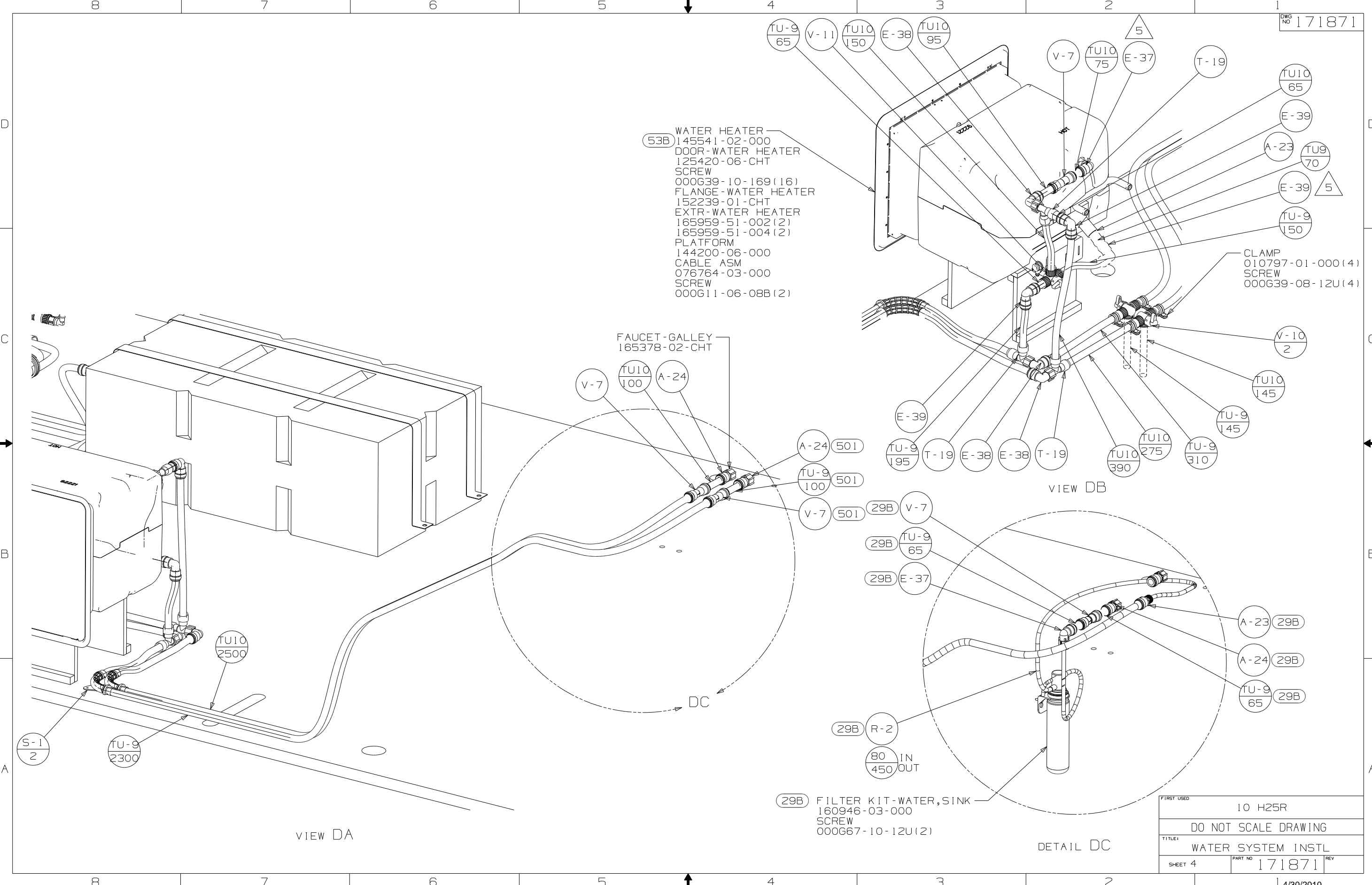
VIEW BA

FIRST USED	10 H25R	
DO NOT SCALE DRAWING		
TITLE:	WATER SYSTEM INSTL	
SHEET 2	PART NO 171871	REV



INSTALL BETWEEN MOUNTING PLATE AND RETAINING NUTS.

FIRST USED	10 H25R
TITLE	DO NOT SCALE DRAWING
SHEET 3	WATER SYSTEM INSTL
PART NO	171871
REV	

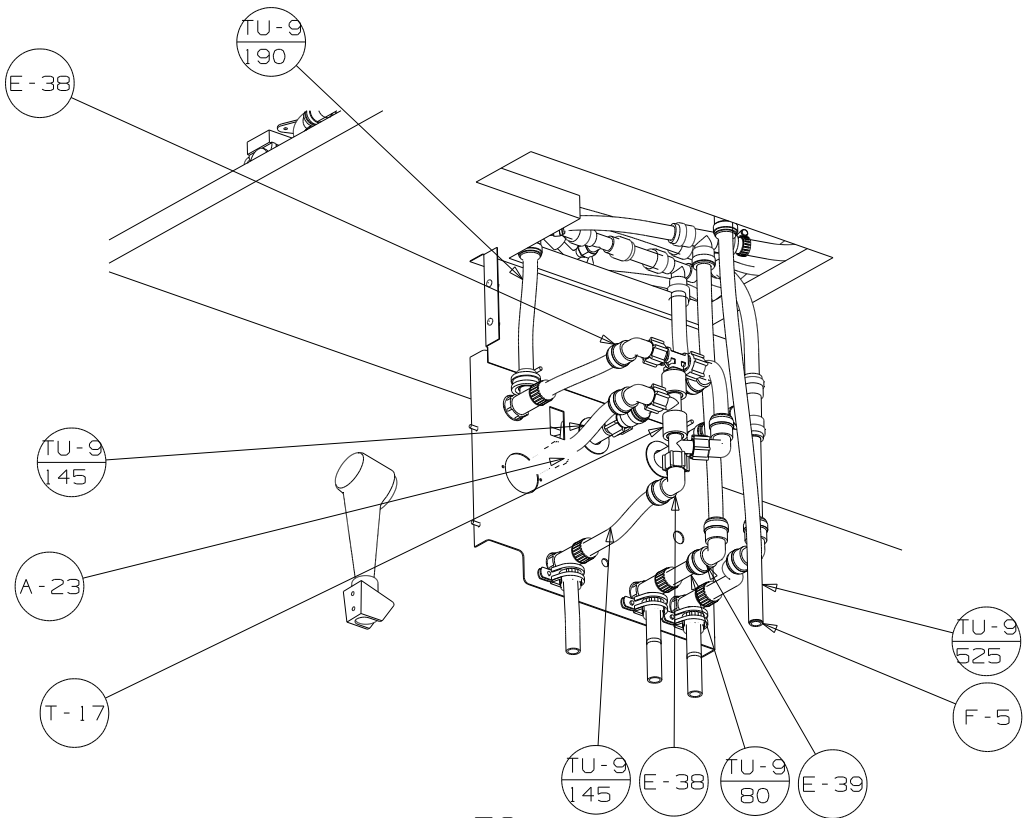


- (53B) WATER HEATER
145541-02-000
- DOOR-WATER HEATER
125420-06-CHT
- SCREW
000G39-10-169(16)
- FLANGE-WATER HEATER
152239-01-CHT
- EXTR-WATER HEATER
165959-51-002(2)
- 165959-51-004(2)
- PLATFORM
144200-06-000
- CABLE ASM
076764-03-000
- SCREW
000G11-06-08B(2)

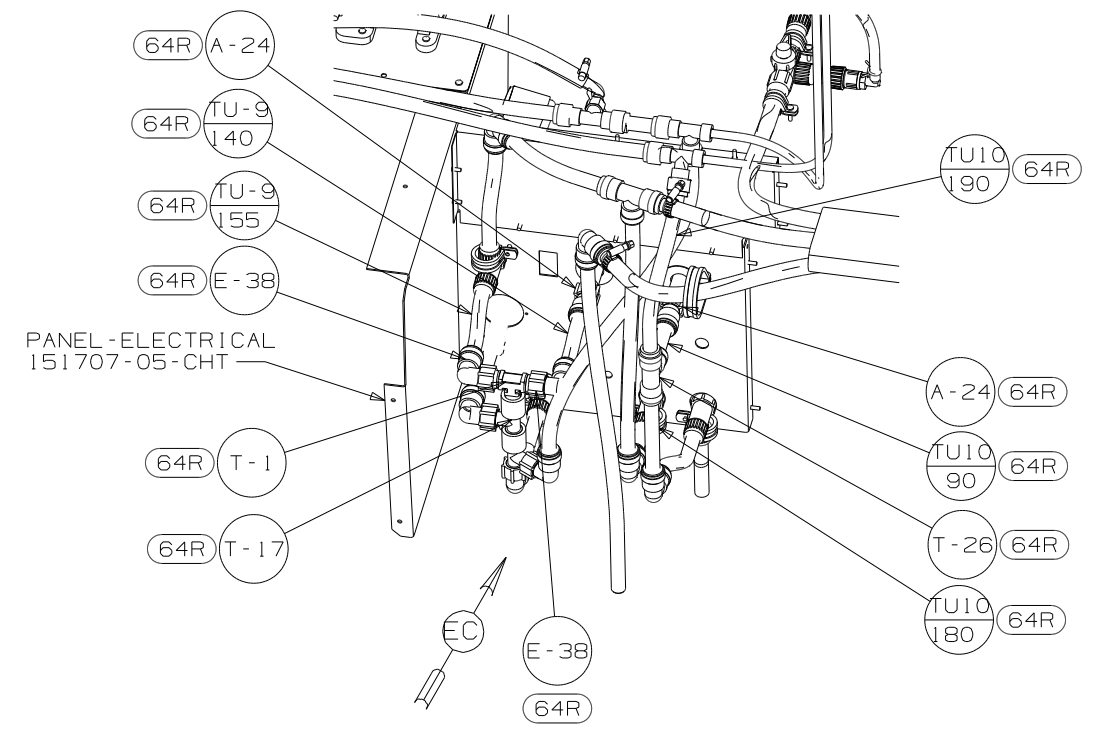
FAUCET-GALLEY
165378-02-CHT

- (29B) FILTER KIT-WATER,SINK
160946-03-000
- SCREW
000G67-10-12U(2)

FIRST USED	10 H25R
DO NOT SCALE DRAWING	
TITLE:	WATER SYSTEM INSTL
SHEET 4	PART NO 171871 REV

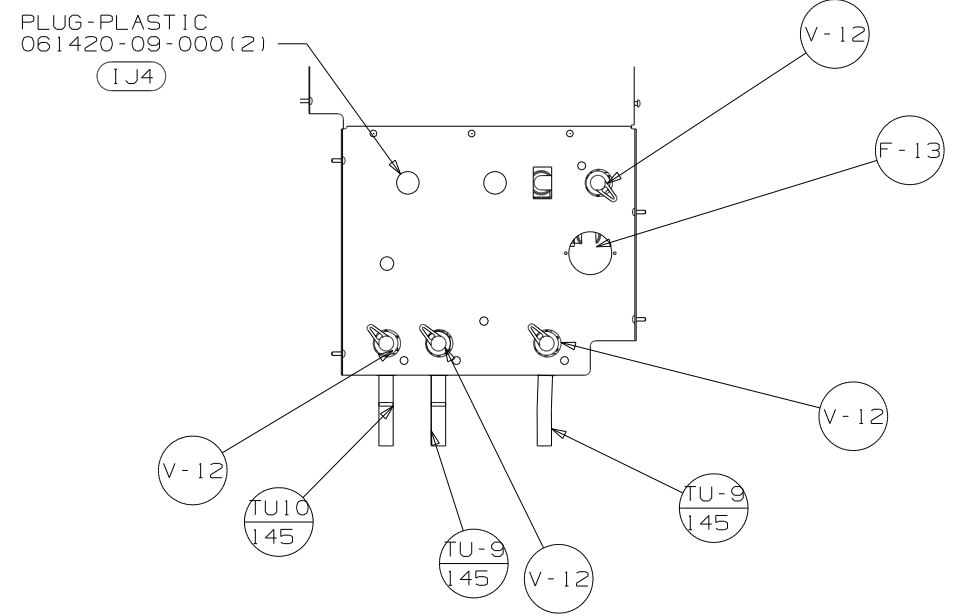


VIEW EC
(EXTERIOR SHOWER SHOWN)

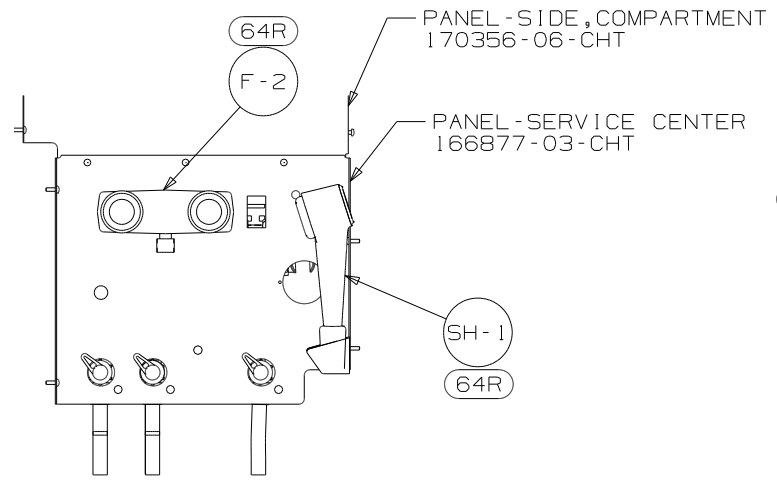


PANEL - ELECTRICAL
151707-05-CHT

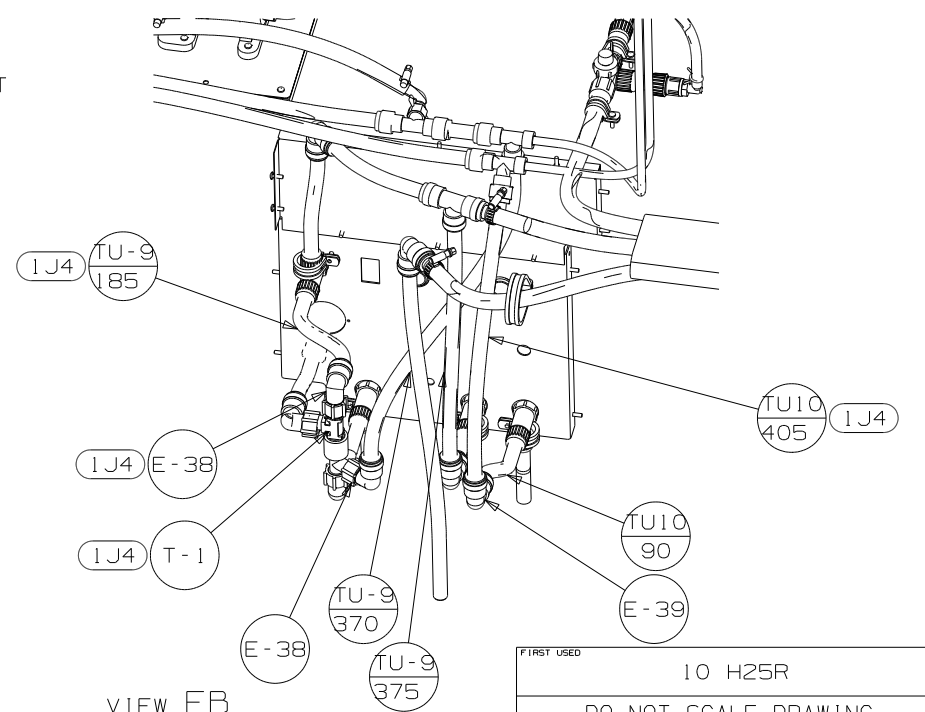
VIEW EB
(EXTERIOR SHOWER SHOWN)



VIEW EA
(EXTERIOR SHOWER WITHOUT SHOWN)



VIEW EA
(EXTERIOR SHOWER SHOWN)



VIEW EB
(EXTERIOR SHOWER WITHOUT SHOWN)

FIRST USED	10 H25R
TITLE	DO NOT SCALE DRAWING
TITLE	WATER SYSTEM INSTL
SHEET 5	PART NO 171871 REV