

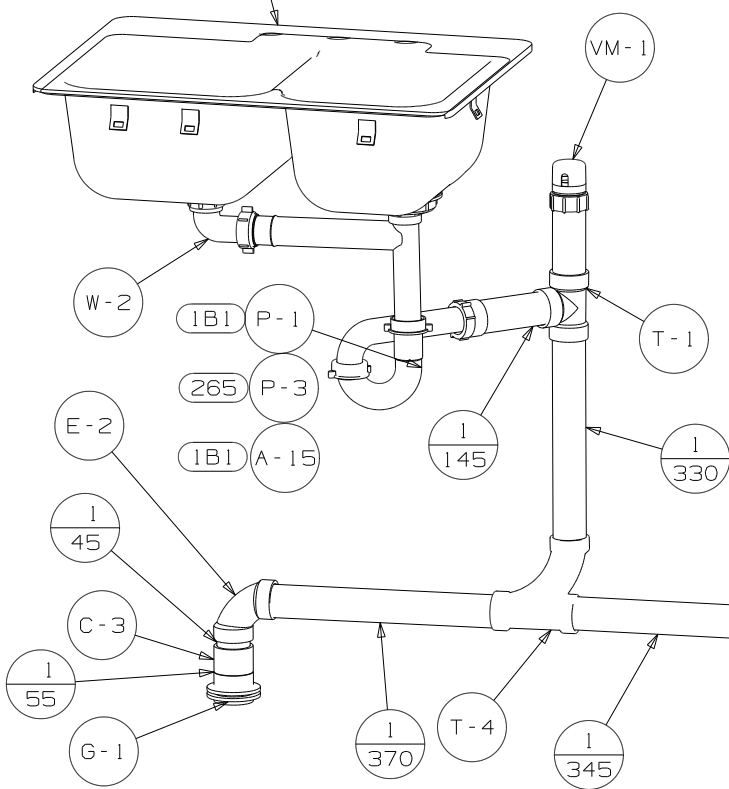
8. SECURE DRAINAGE PIPES TO CABINET USING WIRE TIE 108046-02-000, AND SCREW 000G67-10-12B AT INTERVALS OF NOT MORE THAN 4 FEET APART.
7. SECURE VENT PIPE TO FLOOR WITH CLAMP 062401-02-000 (2), SCREW 000G67-10-12B (2), BRACKET 136878-01-CHT (2).
6. VENT PIPE MUST PROJECT 51 MIN AND 64 MAX ABOVE ROOF FOR PROPER FIT AND FUNCTION.
5. SEAL AROUND SHOWER WITH SILICONE.
4. USE SMOOTH PLUMBERS PUTTY 167459-01-000 TO SEAL STRAINER (.2 PER STRAINER).
3. ALL PIPE AND FITTINGS TO BE ASSEMBLED WITH SOLVENT 004020-01-000 (USA), 004020-02-000 (CAN)
2. SLOPE OF TRAP ARM MUST BE 6 PER 305 mm.
1. SLOPE OF HORIZONTAL PIPING TO BE MINIMUM OF 3 PER 305 mm.

NOTES:

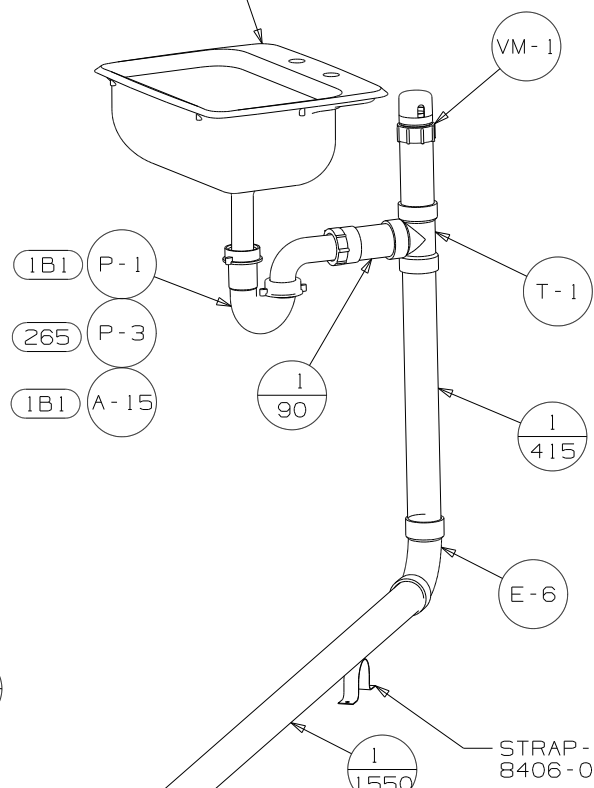
<b>WINNEBAGO</b>		COPYRIGHT 2009 WINNEBAGO INDUSTRIES, INC.	
D/FR	ORIG. DATE	ALL DIMENSIONS ARE IN MILLIMETERS	
CHKR		FIRST USED	
P.E.		10 E32K	
M.E.		UNSPECIFIED TOLERANCES ARE:	
DSNR		MATERIAL:	
		WHOLE DIM (X)	: 3
		ONE-PLACE (X.X)	: 1.5
		TWO-PLACE (X.XX)	: 0.50
		ANGLE	: 1°
THIRD ANGLE PROJECTION		DO NOT SCALE DRAWING	
FOR DRAINAGE CALLOUTS SEE DWG NO 116229-01-000		TITLE: DRAINAGE SYSTEM INSTL	
SHEET 1 OF 3	PART NO	171854	REV

FOR  
DRAINAGE  
CALLOUTS  
SEE DWG NO  
116229-01-000

SINK-DBL, L/S BASIN  
163942-02-CHT  
STRAINER  
092303-01-000 (2)  
BRACKETS & SCREWS  
(INCLUDED WITH SINK)  
SEAL (A/R)

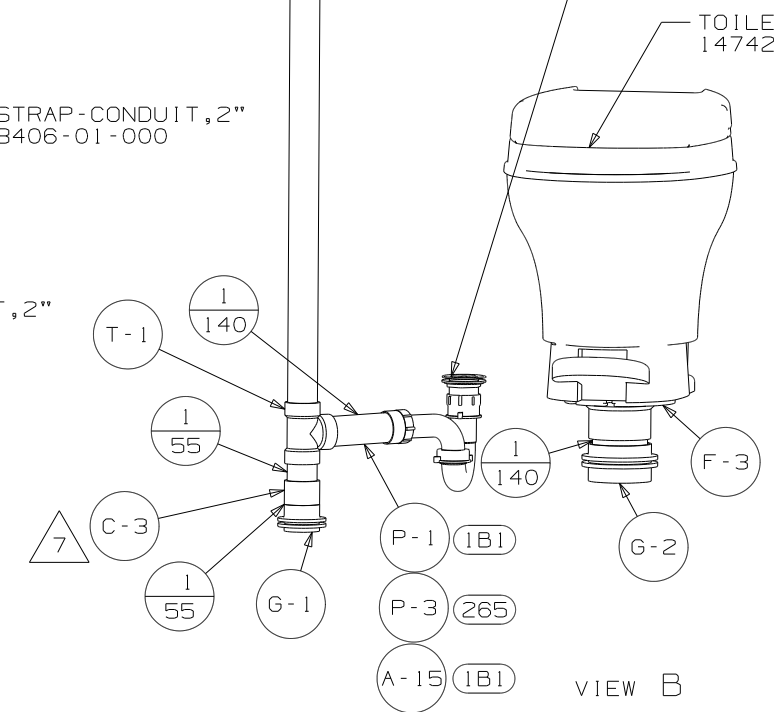


SINK-LAVATORY, RECTANGLE  
096927-01-CHT



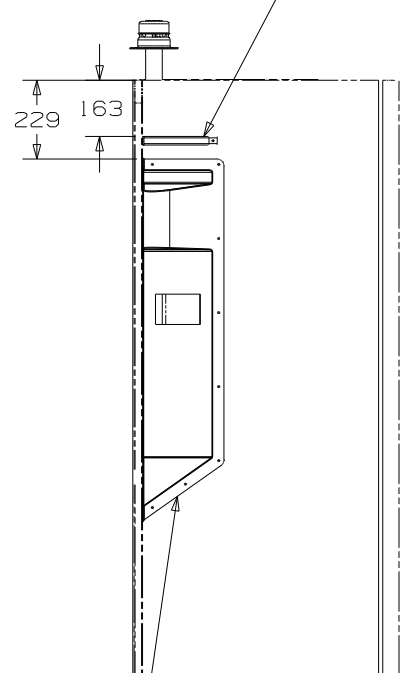
VIEW A

SHOWER PAN  
152200-03-CHT  
STRAINER  
066440-01-000  
SEALANT  
084456-01-000  
SCREW  
000G11-08-12U (9)  
SCREW  
000G39-08-12U (4)  
WASHER-RUBBER  
127440-02-CHT  
TAILPIECE  
11069-02-000  
NUT  
130403-01-000



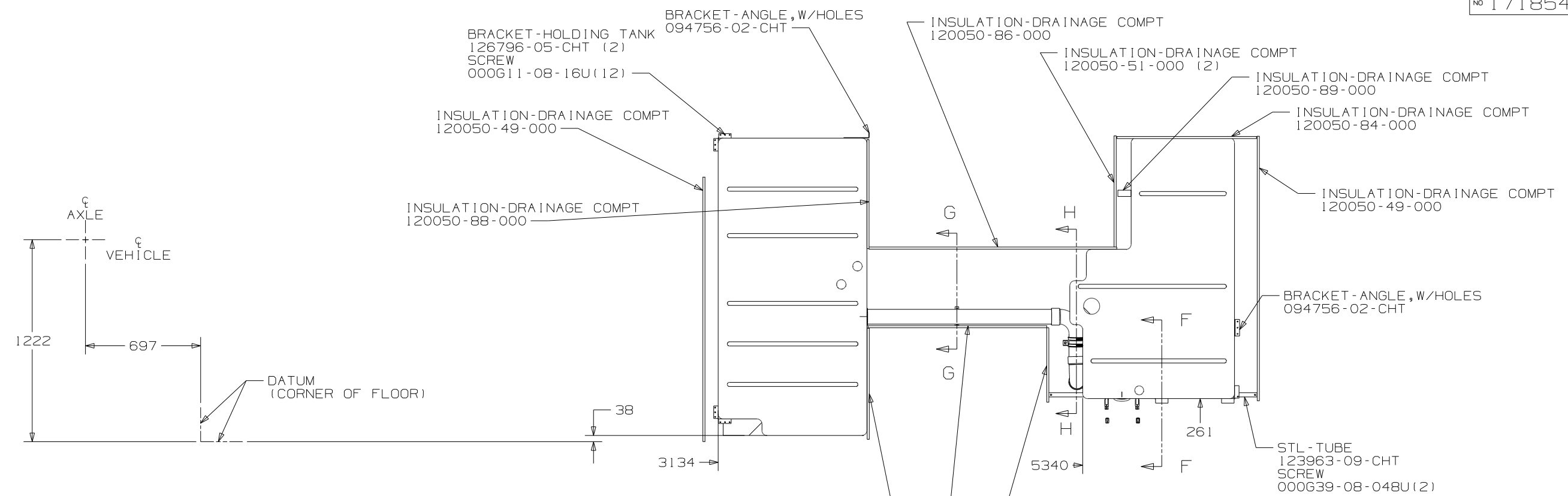
VIEW B

RETAINER-SHELF, SHOWER  
113714-02-CHT  
SCREW  
000G11-08-12U (2)  
COVER  
166569-01-CHT (2)

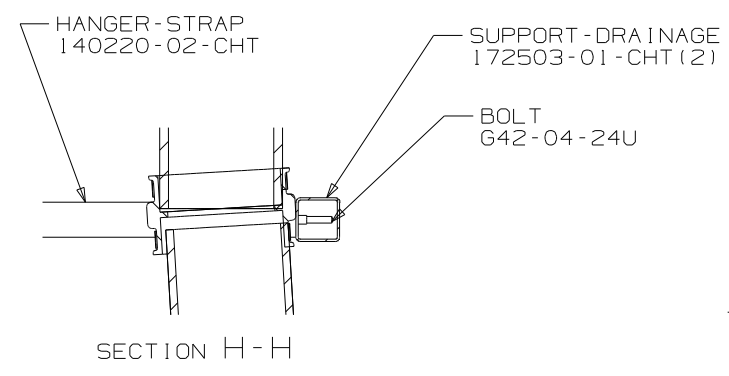


VIEW C

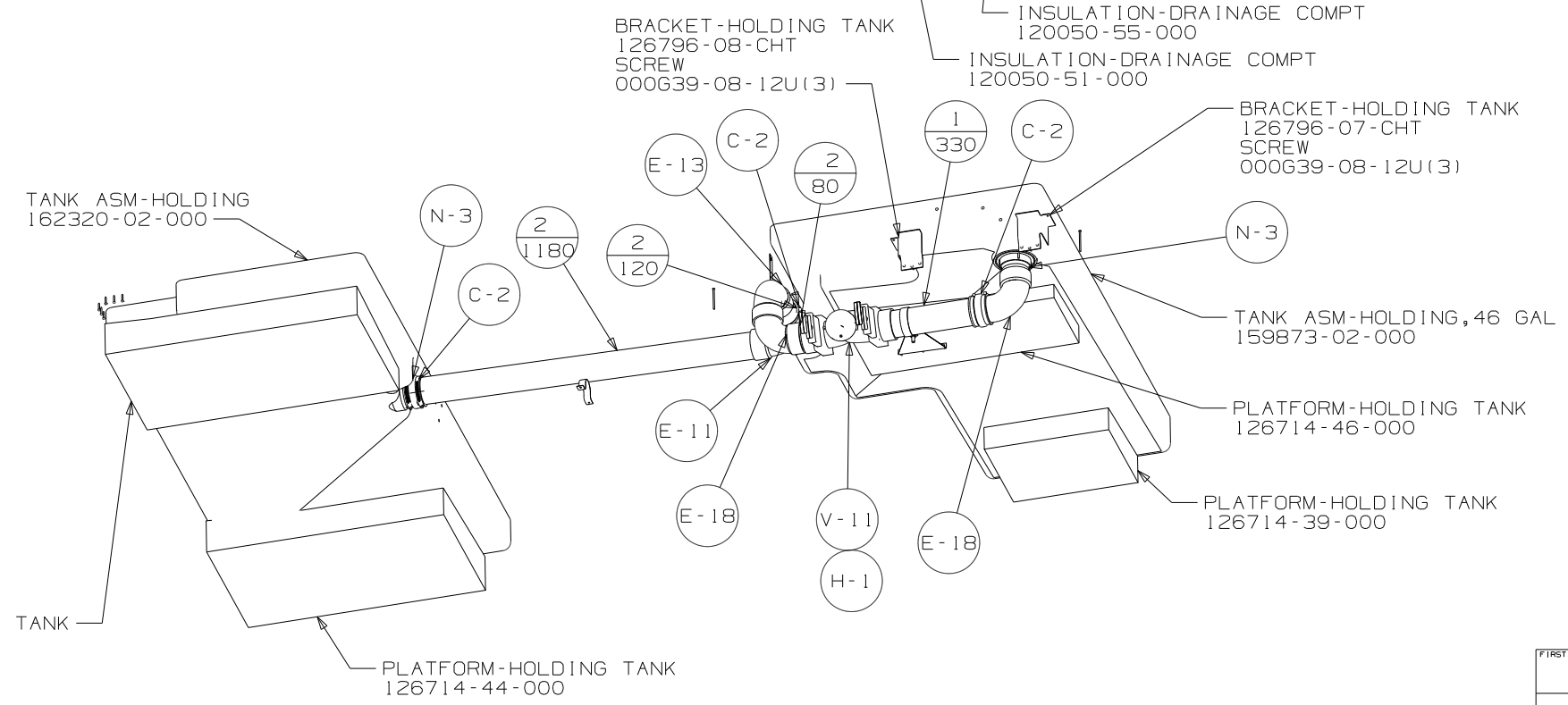
FIRST USED	10 E32K	
TITLE	DRAINAGE SYSTEM INSTL	
SHEET 2	PART NO	171854
12/8/2009		



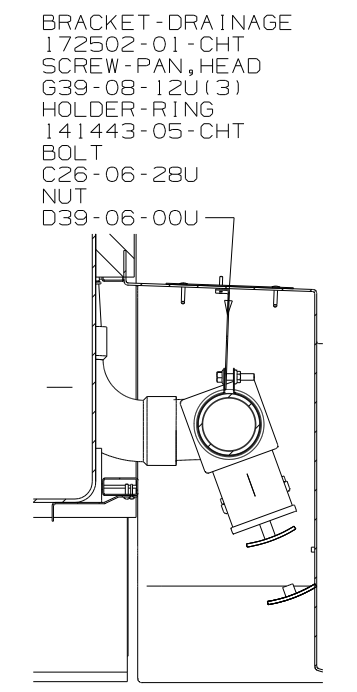
VIEW D



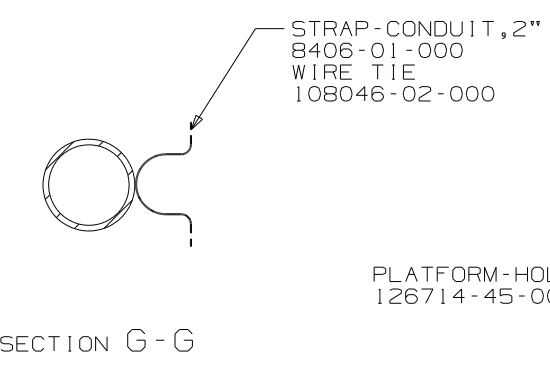
SECTION H-H



VIEW E

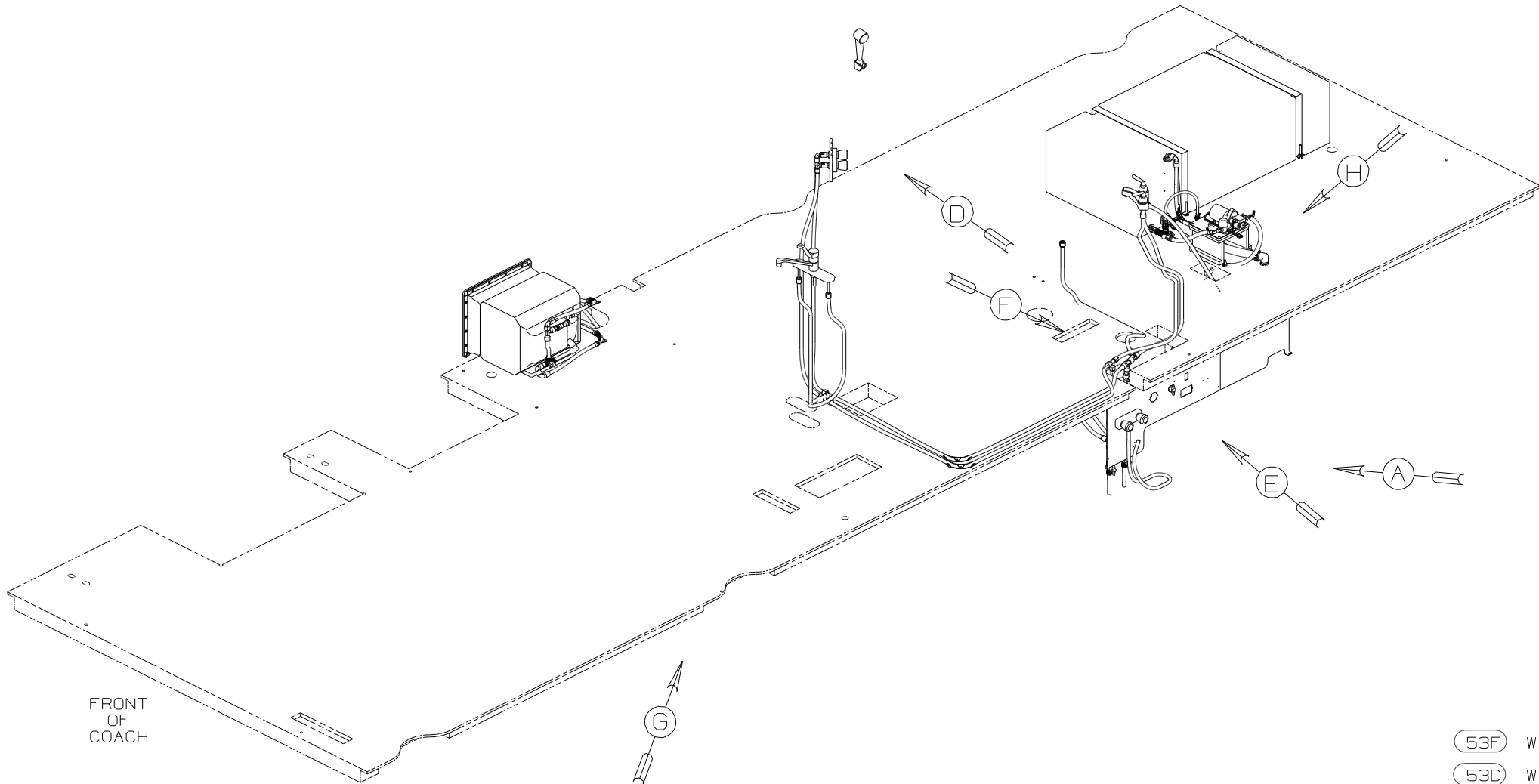


SECTION F-F



SECTION G-G

FIRST USED	10 E32K	
TITLE	DO NOT SCALE DRAWING	
	DRAINAGE SYSTEM INSTL	
SHEET 3	PART NO 171854	REV

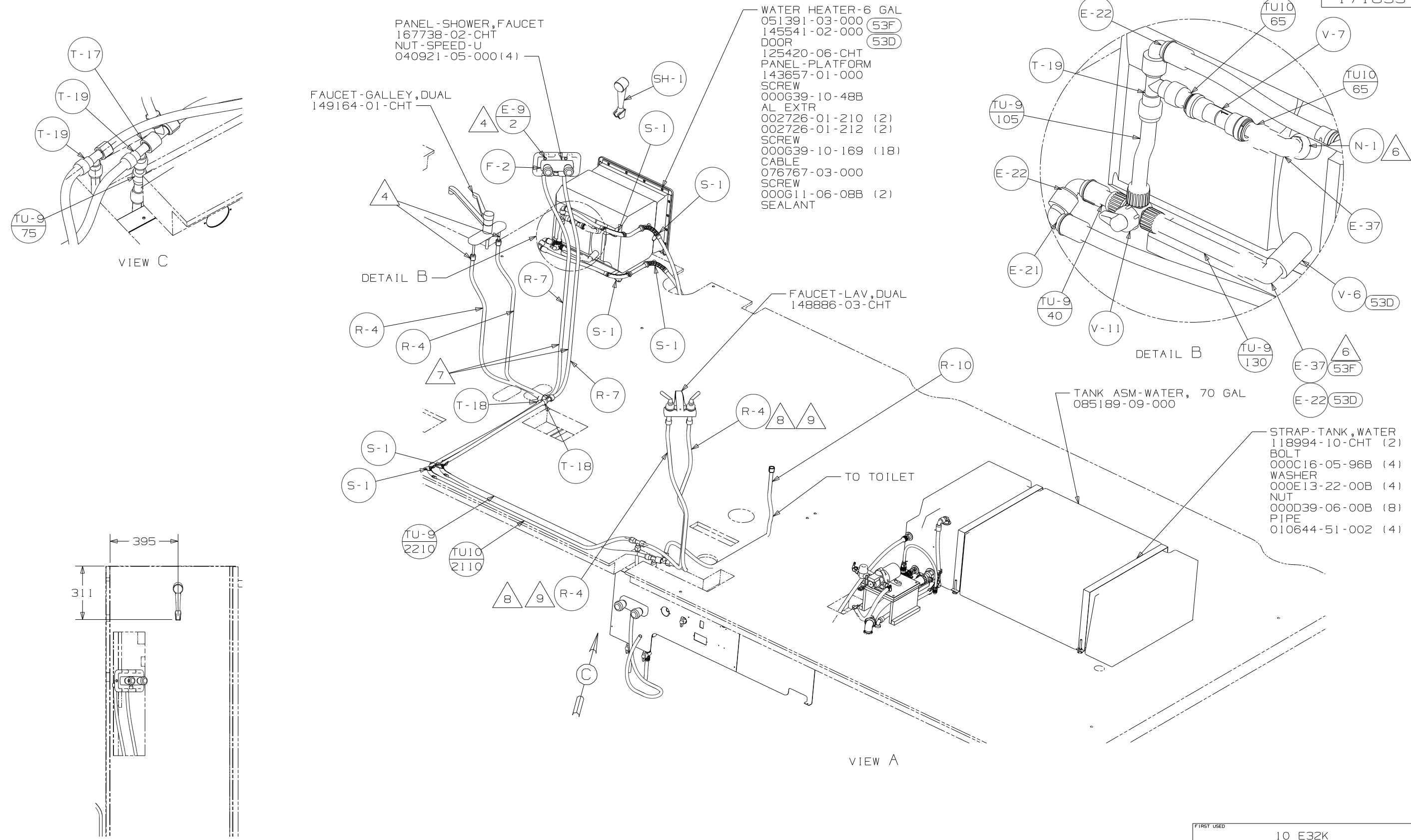


- (53F) WATER HEATER-ELEC.IGNITION
- (53D) WTR HTR-6 GAL/ELE/LP/MOTORAID
- (64R) EXTERIOR WASH STATION
- (1J4) EXT WASH STATION - WITHOUT

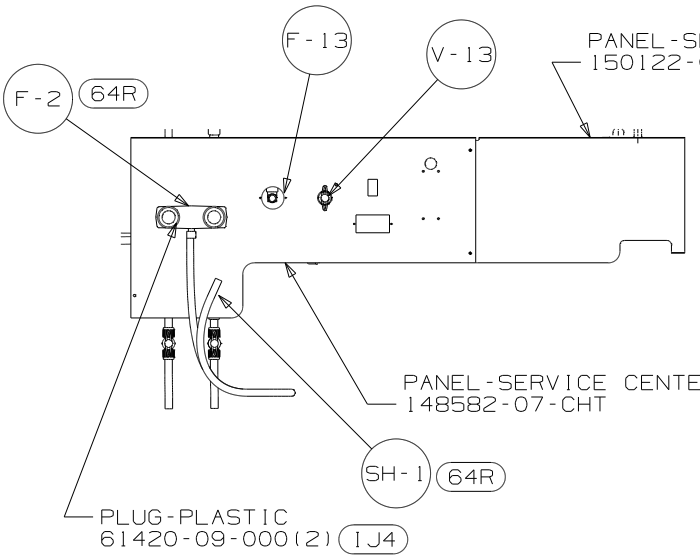
- NOTES:
- 9. TAPE FITTING TO TUBE BEFORE CABINET SET TO PREVENT FITTING FROM MOVING.
  - 8. LABEL HOT AND COLD SUPPLY TUBES.
  - 7. ADD PIPE WRAP (LADDER SCRAP 110157-02-000) INSULATION.
  - 6. ADD TEFLON TAPE 010405-03-000.
  - 5. ADD TEFLON TAPE 010405-02-000.
  - 4. ADD TEFLON TAPE 010405-01-000.
3. ALL TUBING TO BE SECURED AT 1200 INTERVALS MAXIMUM WITH CLAMP 010495-01-000 AND SCREW 000G67-10-12B OR EQUIVALENT.
  2. TUBING TO BE INSTALLED WITH SUFFICIENT SLOPE TO PROVIDE DRAINAGE TO NEAREST VALVE.
  1. PLASTIC FITTINGS TO BE SEALED WITH SEALANT 084456-01-000.

<b>WINNEBAGO</b>		COPYRIGHT 2009 WINNEBAGO INDUSTRIES, INC.	
DFTR	ORIG. DATE	ALL DIMENSIONS ARE IN MILLIMETERS	
CHKR		FIRST USED	
P.E.		10 E32K	
M.E.		UNSPECIFIED TOLERANCES ARE:	
DSNR		MATERIAL:	
		WHOLE DIM (X) :	3
		ONE-PLACE (X.X) :	
		TWO-PLACE (X.XX) :	
		ANGLE :	
THIRD ANGLE PROJECTION		DO NOT SCALE DRAWING	
TITLE: WATER SYSTEM INSTL			
SHEET 1 OF 4	PART NO	171855	REV
REF:	11/18/2009		

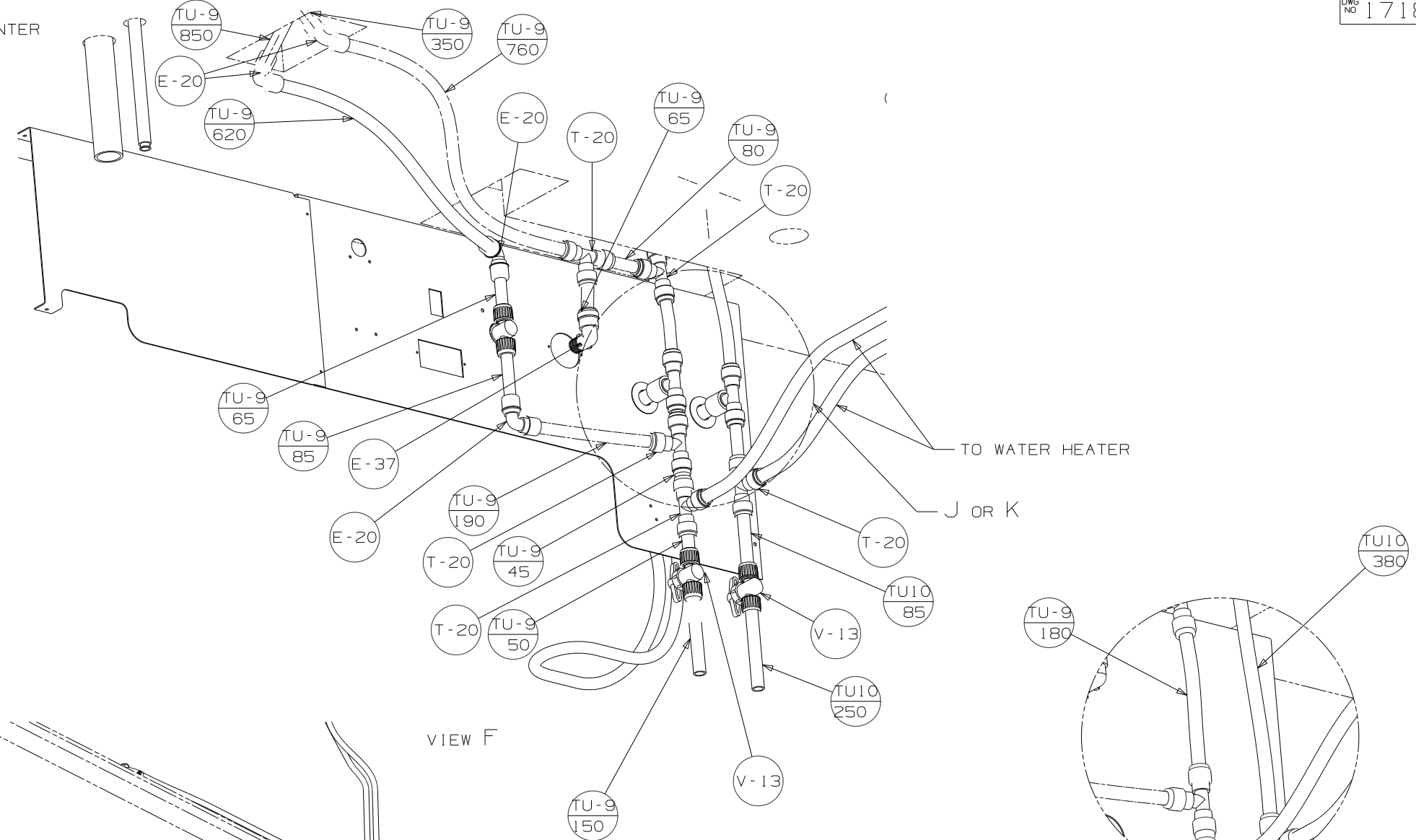
(X-X)  
FOR  
WATER  
CALLOUTS  
SEE DWG NO  
116230-01-000



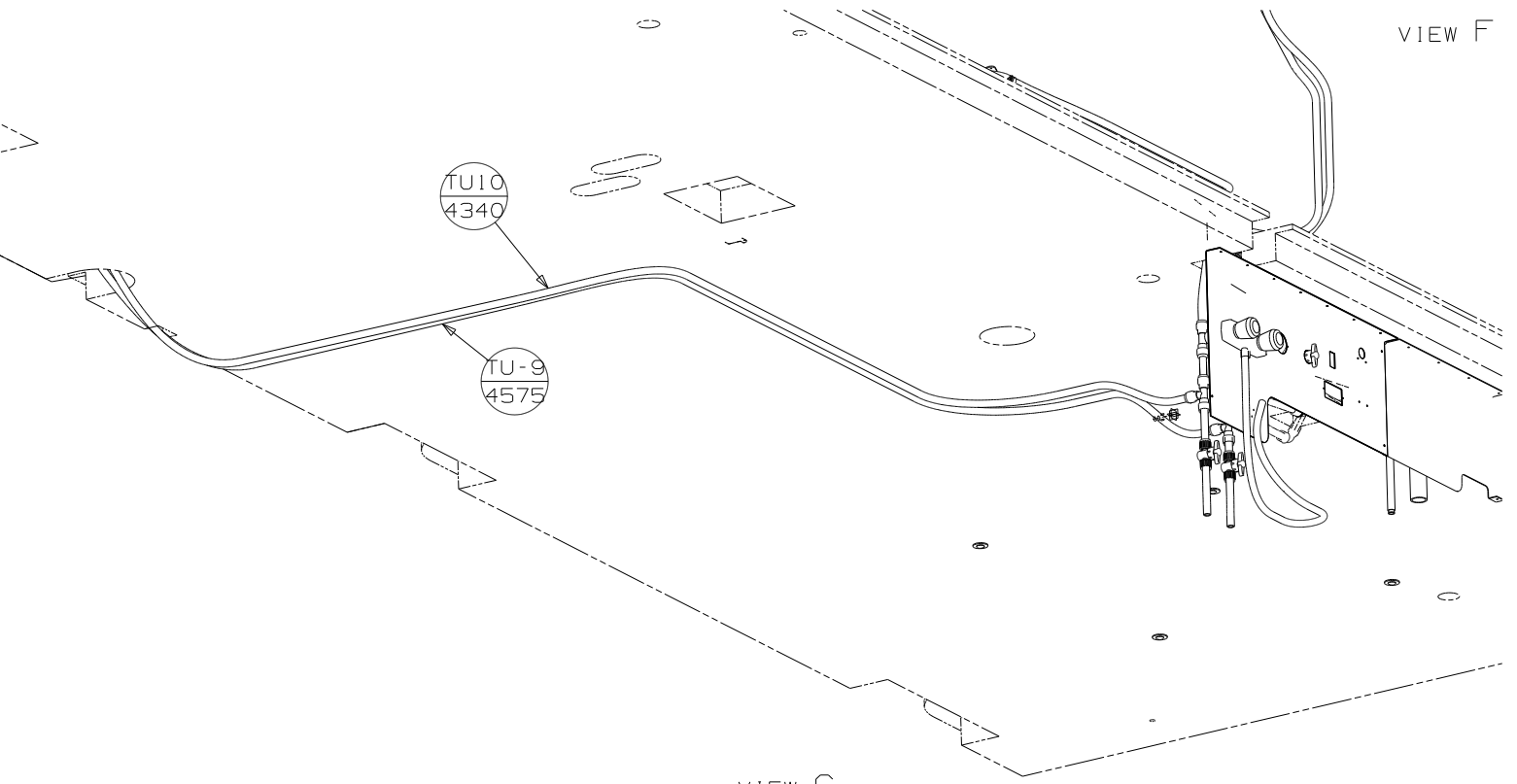
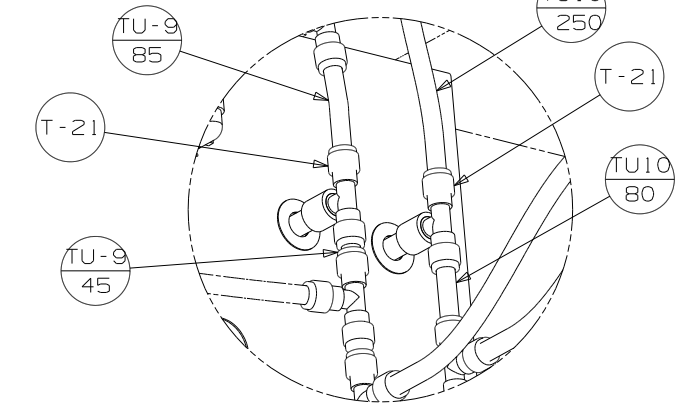
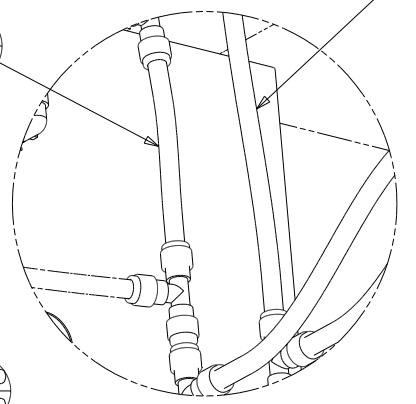
FIRST USED	10 E32K
TITLE	DO NOT SCALE DRAWING
TITLE	WATER SYSTEM INSTL
SHEET 2	PART NO 171855 REV



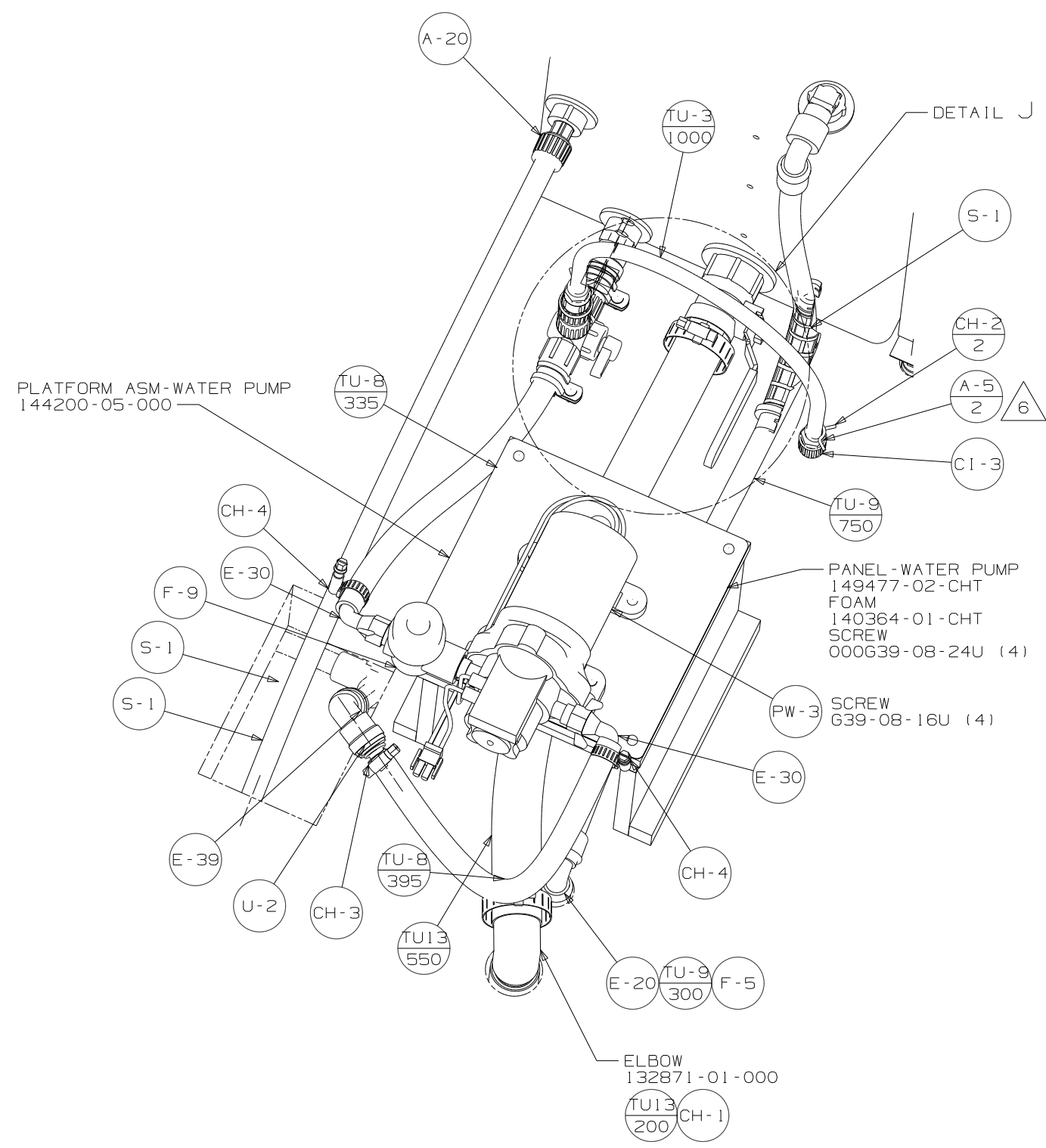
VIEW E



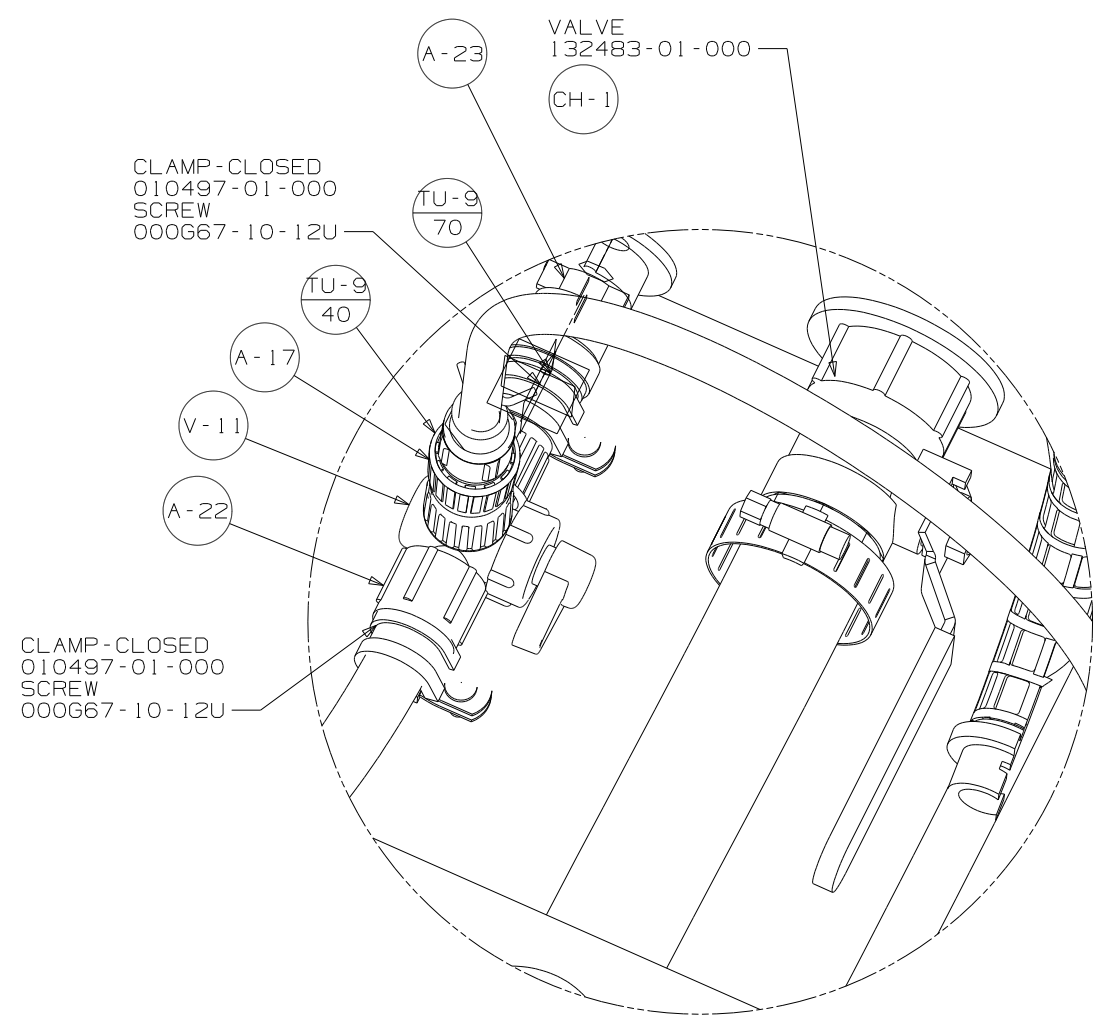
VIEW F



FIRST USED	10 E32K
TITLE	DO NOT SCALE DRAWING
SHEET 3	PART NO 171855 REV
11/18/2009	



VIEW H



DETAIL J

FIRST USED	10 E32K
TITLE	DO NOT SCALE DRAWING
TITLE	WATER SYSTEM INSTL
SHEET 4	PART NO 171855 REV