

FRONT
OF
COACH

(265) CODES/STDS-CSA/CMVSS
(1B1) CODES/STANDARDS-USA

WINNEBAGO		COPYRIGHT 2009 WINNEBAGO INDUSTRIES, INC.	
D/FR	ORIG. DATE	ALL DIMENSIONS ARE IN MILLIMETERS	
CHKR		FIRST USED	
P.E.		10 E30W	
M.E.		UNSPECIFIED TOLERANCES ARE:	
DSNR		MATERIAL:	
		WHOLE DIM (X)	: 3
		ONE-PLACE (X.X)	:
		TWO-PLACE (X.XX)	:
		ANGLE	:
		THIRD ANGLE PROJECTION	
DO NOT SCALE DRAWING			
TITLE: DRAINAGE SYSTEM INSTL			
SHEET 1 OF 4	PART NO	173240	REV
REF:	1 8/3/2009		

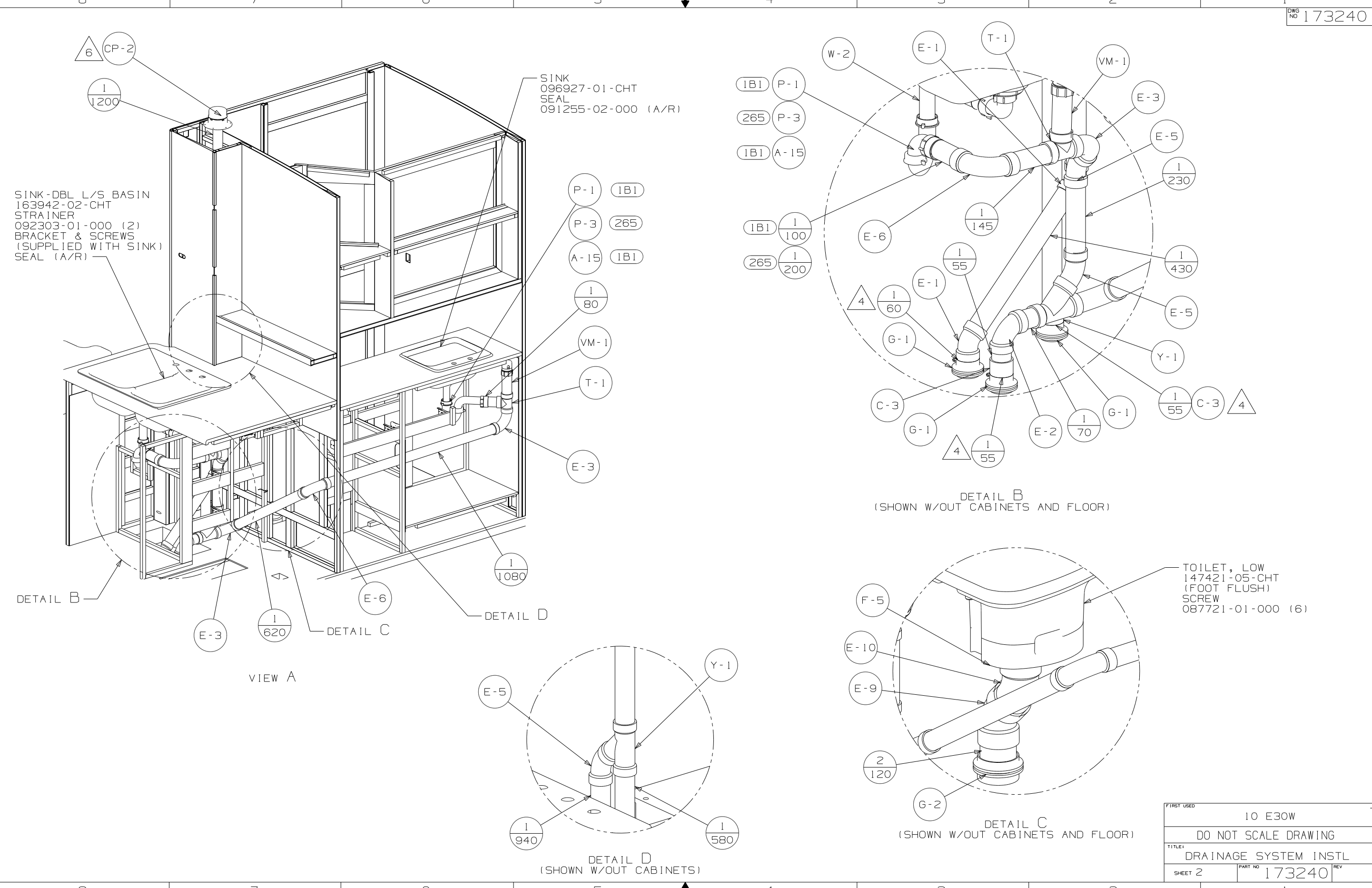
- NOTES:
- 6 VENT PIPE MUST PROJECT 51 MIN AND 64 MAX ABOVE ROOF FOR PROPER FIT AND FUNCTION.
 5. SEAL AROUND SHOWER WITH SILICONE.
 4. SECURE VENT TUBES TO FLOOR WITH BRACKET 136878-01-CHT (2). CLAMP 062401-02-000 AND SCREW 000667-10-12B (2)
 3. ALL PIPE AND FITTINGS TO BE ASSEMBLED WITH SOLVENT 004020-01-000 (US), 004020-02-000 (CAN).
 2. SLOPE OF TRAP ARM MUST BE 6 PER 305 mm.
 1. SLOPE OF HORIZONTAL PIPING TO BE MIN 3 PER 305 mm.

FOR
DRAINAGE
CALLOUTS
SEE DWG NO
116229-01-000



8 7 6 5 4 3 2

8 7 6 5 4 3 2



SINK-DBL L/S BASIN
163942-02-CHT
STRAINER
092303-01-000 (2)
BRACKET & SCREWS
(SUPPLIED WITH SINK)
SEAL (A/R)

SINK
096927-01-CHT
SEAL
091255-02-000 (A/R)

DETAIL B
(SHOWN W/OUT CABINETS AND FLOOR)

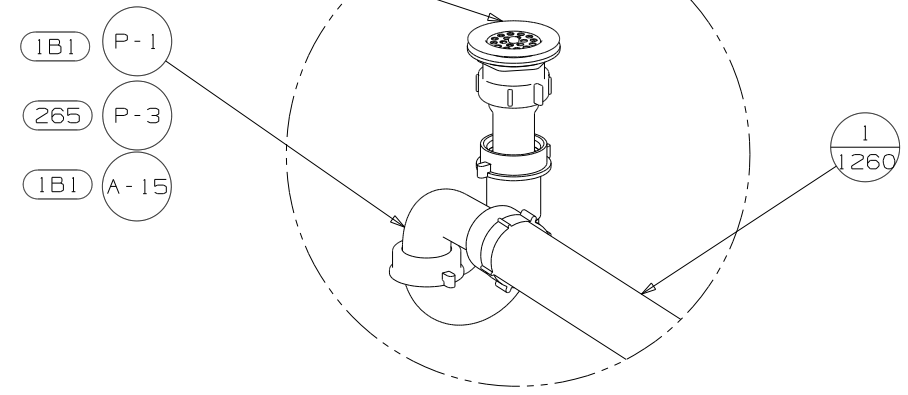
DETAIL C
(SHOWN W/OUT CABINETS AND FLOOR)

DETAIL D
(SHOWN W/OUT CABINETS)

TOILET, LOW
147421-05-CHT
(FOOT FLUSH)
SCREW
087721-01-000 (6)

FIRST USED	10 E30W	
TITLE	DO NOT SCALE DRAWING	
	DRAINAGE SYSTEM INSTL	
SHEET 2	PART NO 173240	REV

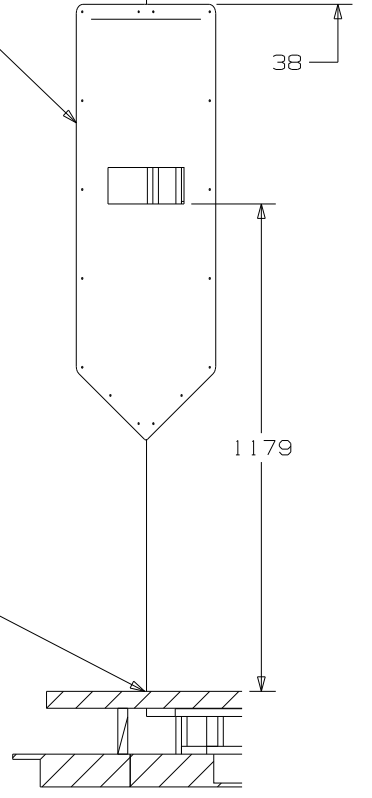
SHOWER PAN
 127586-02-CHT
 SCREW
 000G11-08-12U (10)
 000G39-08-12U (6)
 COVER
 166569-01-CHT (16)
 STRAINER
 066440-01-000
 TAIL PIECE
 011069-02-000
 NUT
 130403-01-000



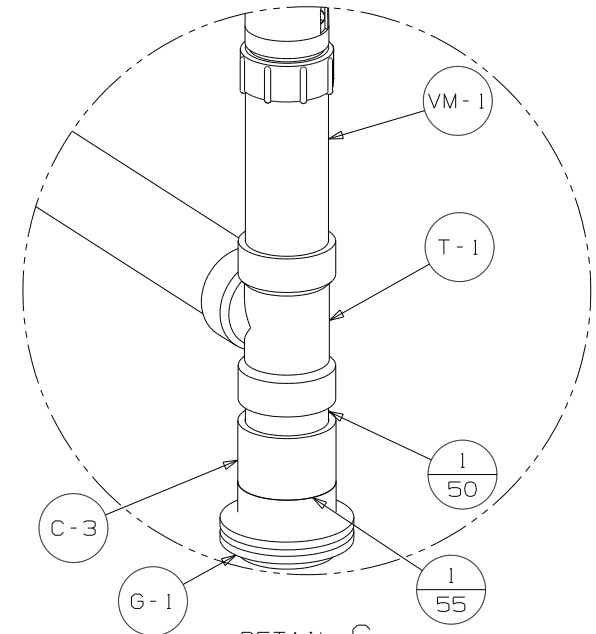
DETAIL F
 (SHOWN W/OUT SHOWER PAN AND FLOOR)

CADDY
 105707-01-CHT
 SCREW
 000G11-08-12U (8)
 000G39-08-12U (8)
 COVER
 166569-01-CHT (16)

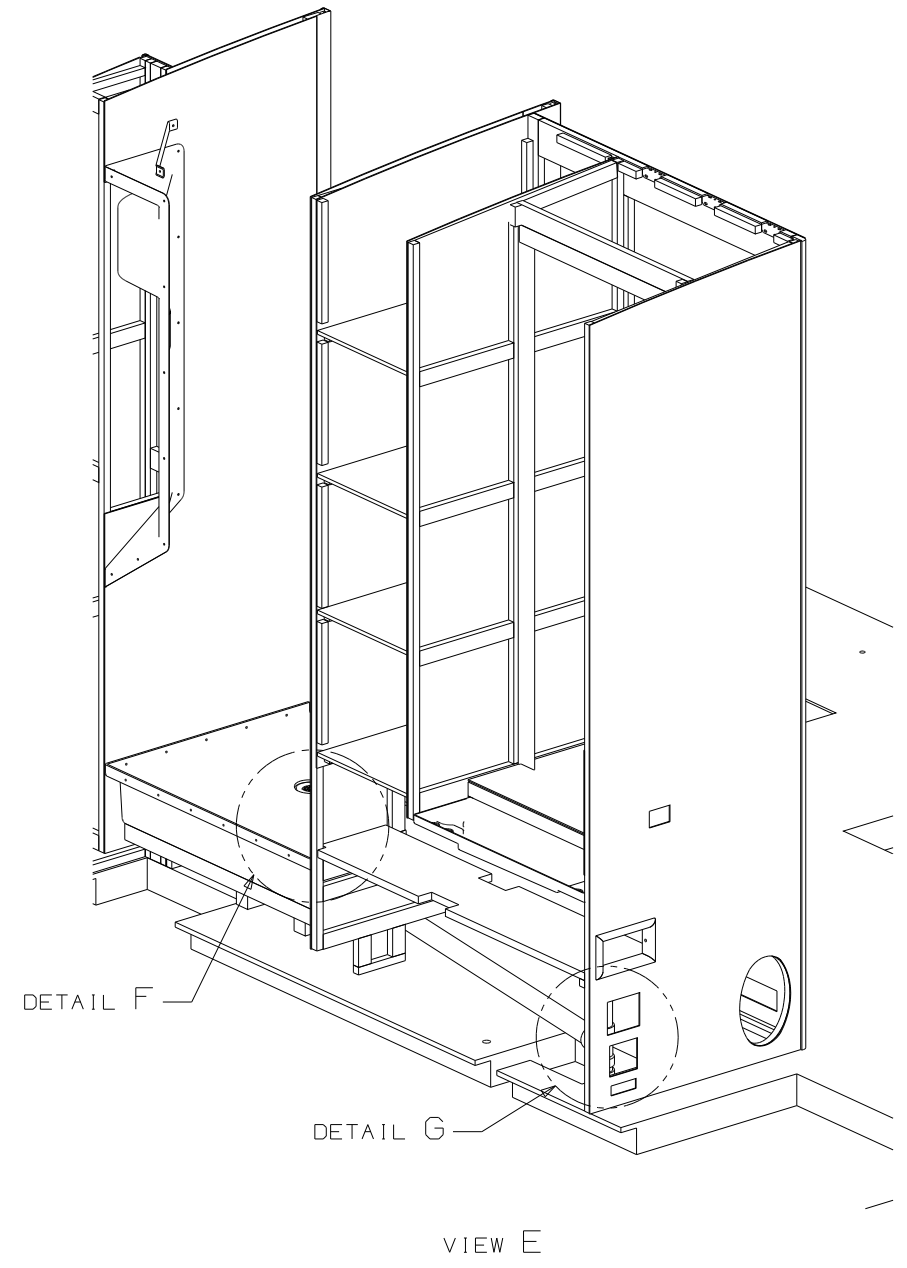
RETAINER-SHELF, SHWR
 113714-02-CHT
 000G11-08-12U
 000G39-08-12U
 COVER
 166569-01-CHT (2)



SECTION J-J



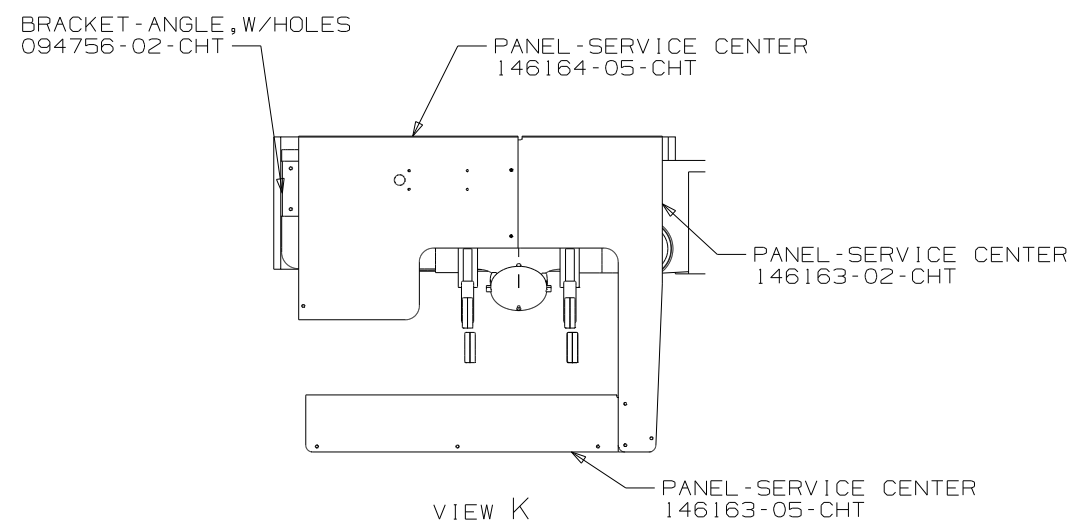
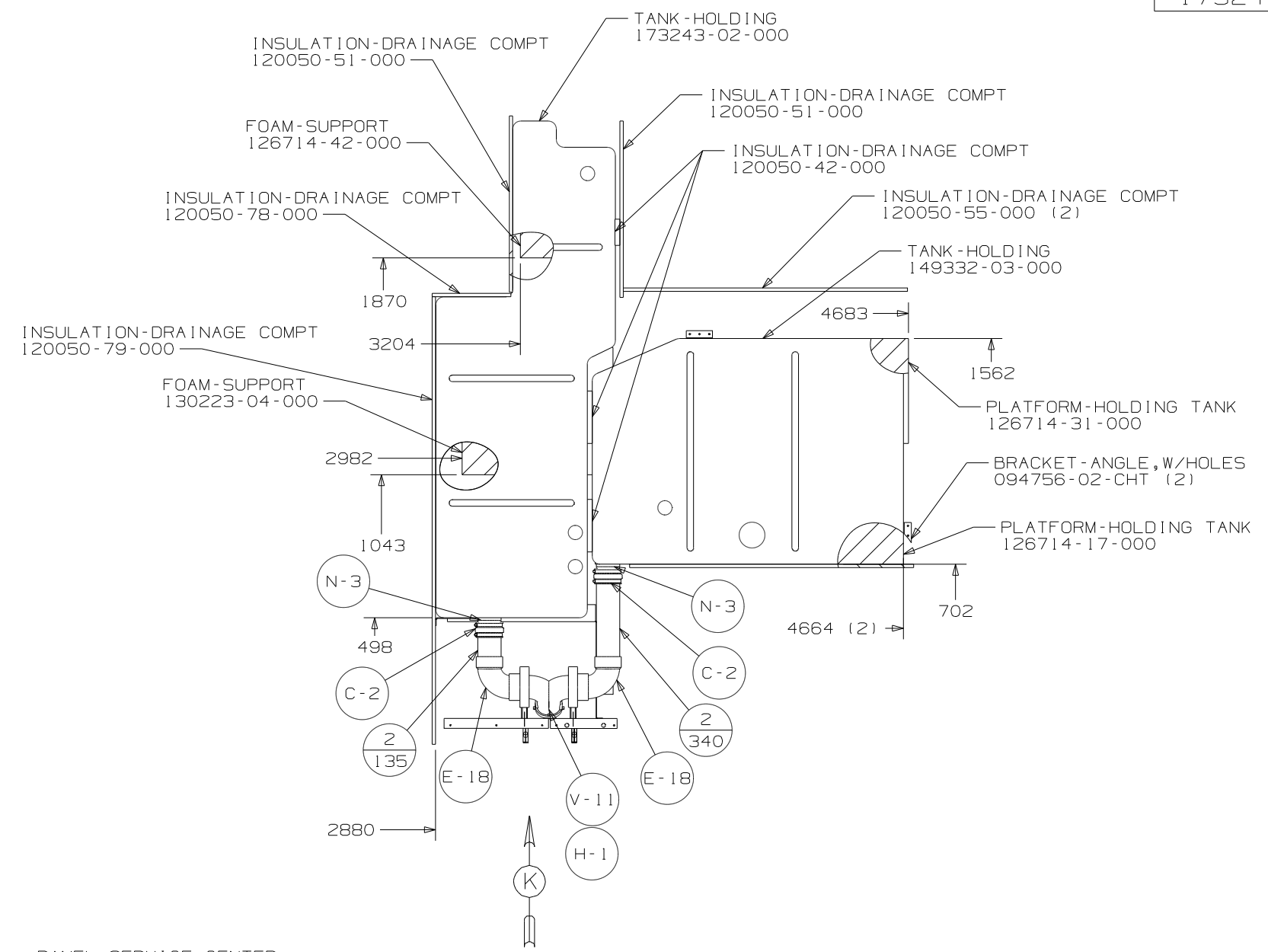
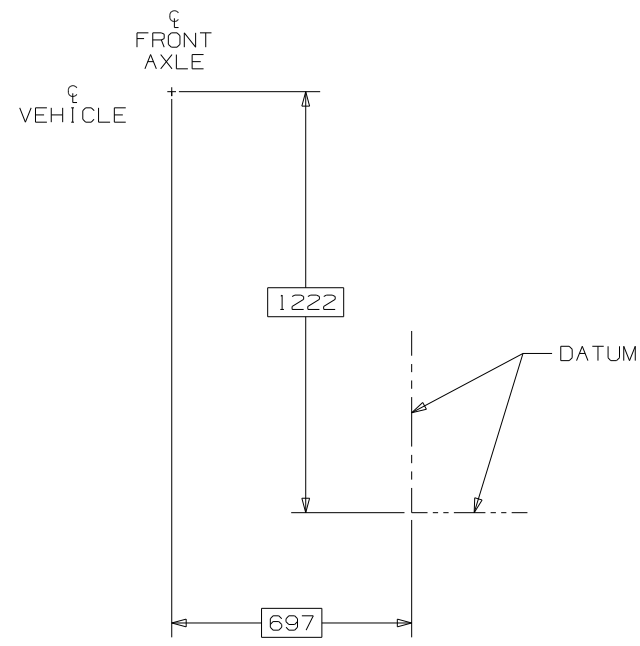
DETAIL G
 (SHOWN W/OUT CABINETS AND FLOOR)



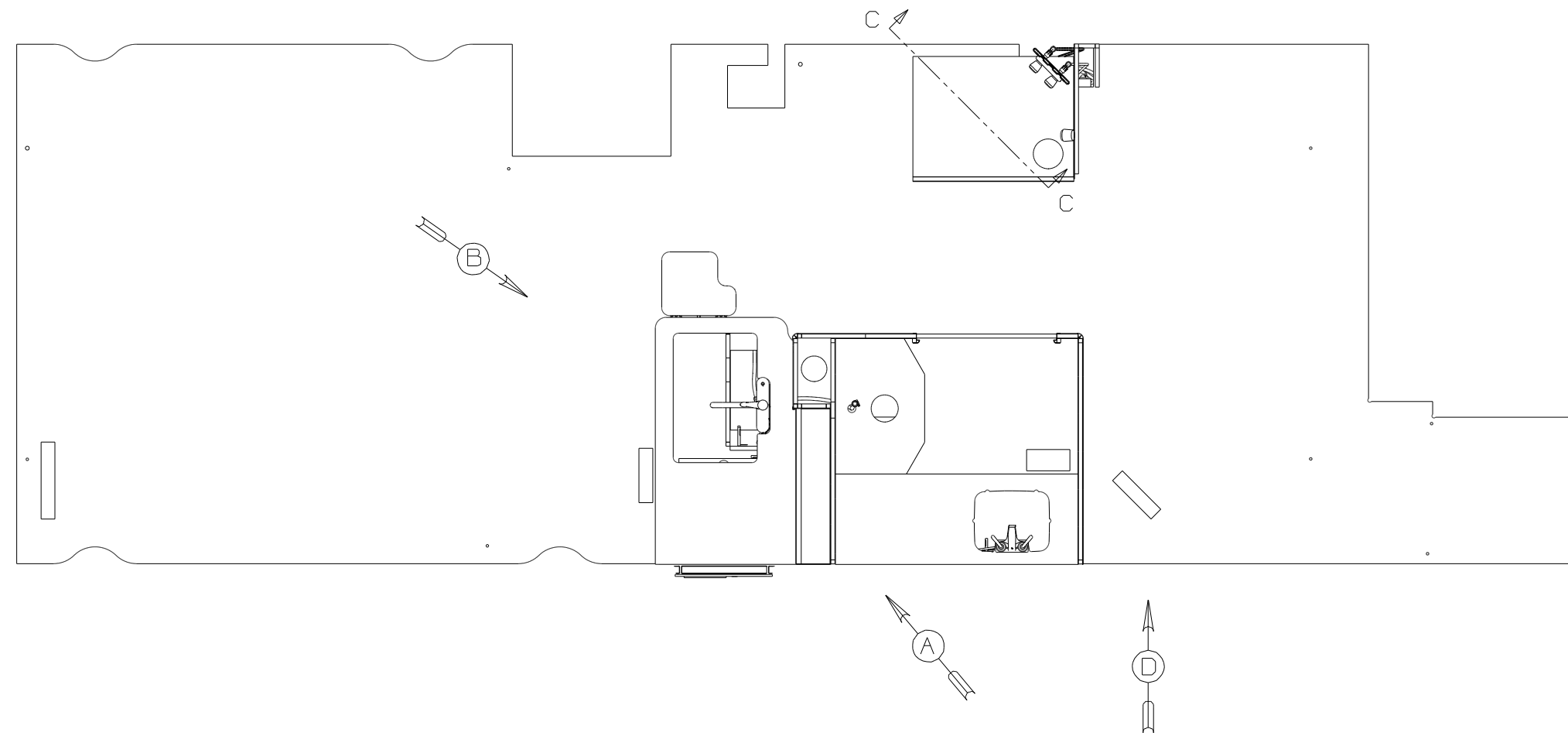
VIEW E

TOP OF SHOWER PLATFORM

FIRST USED	10 E30W	
TITLE	DO NOT SCALE DRAWING	
	DRAINAGE SYSTEM INSTL	
SHEET 3	PART NO 173240	REV



FIRST USED	10 E30W	
TITLE	DO NOT SCALE DRAWING	
TITLE	DRAINAGE SYSTEM INSTL	
SHEET 4	PART NO 173240	REV



- 11 CHECK VALVE IS INSTALLED TO PREVENT WATER FROM LEAVING WATER HEATER.
- 10 CHECK VALVE IS INSTALLED TO PREVENT WATER FROM ENTERING WATER HEATER.
- 9 ADD PIPE WRAP (LADDER SCRAP) INSULATION HERE.
- 8 LABEL HOT AND COLD SUPPLY TUBES.
- 7 TAPE FITTING TO TUBE BEFORE CABINET SET TO PREVENT FITTING FROM MOVING.
- 6 ADD TEFLON TAPE 10405-01-000.
- 5 ADD TEFLON TAPE 10405-02-000.
- 4 FLUSHING SYSTEM REQUIRES 125697-06-000 INSTRUCTION SHEET.

- 3. ALL TUBING TO BE SECURED AT 1200 INTERVALS MAXIMUM WITH CLAMP 10495-01-000 AND SCREW G67-10-12B OR EQUIVALENT.
- 2. TUBING TO BE INSTALLED WITH SUFFICIENT SLOPE TO PROVIDE DRAINAGE TO NEAREST VALVE.
- 1. PLASTIC FITTINGS TO BE SEALED WITH SEALANT 84456-01-000.

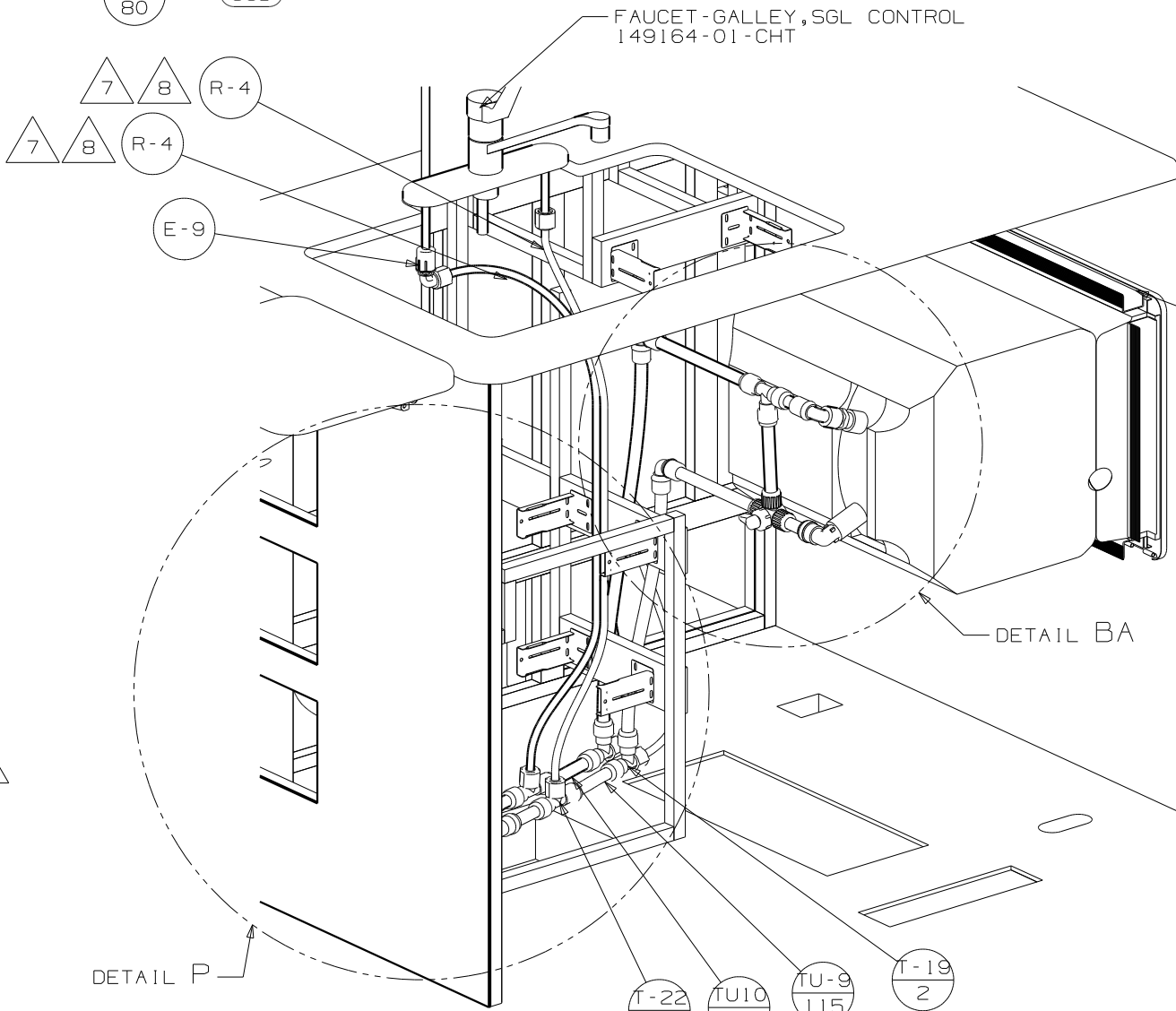
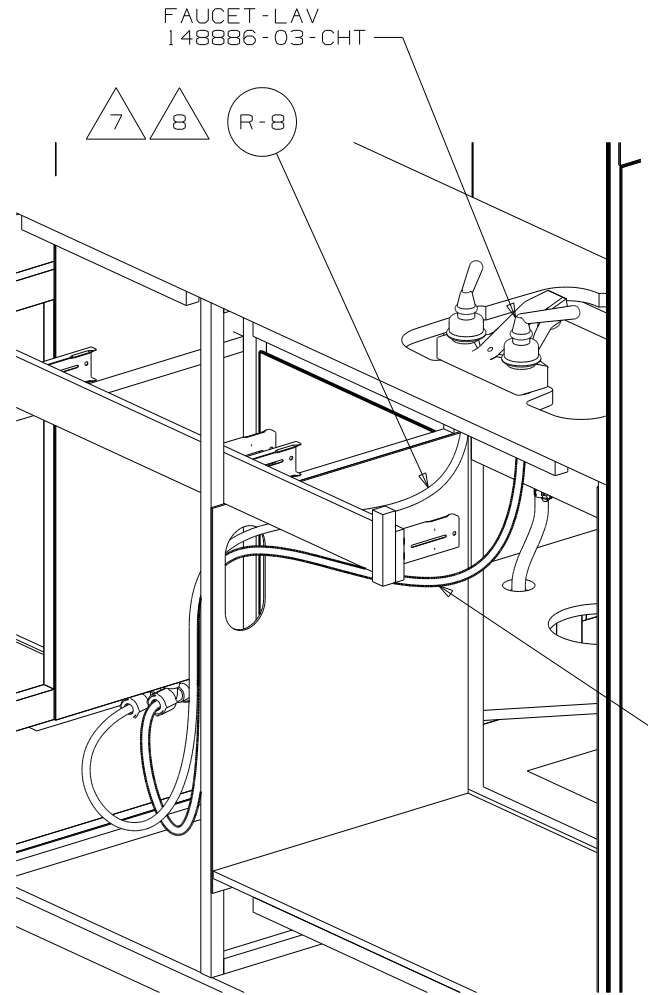
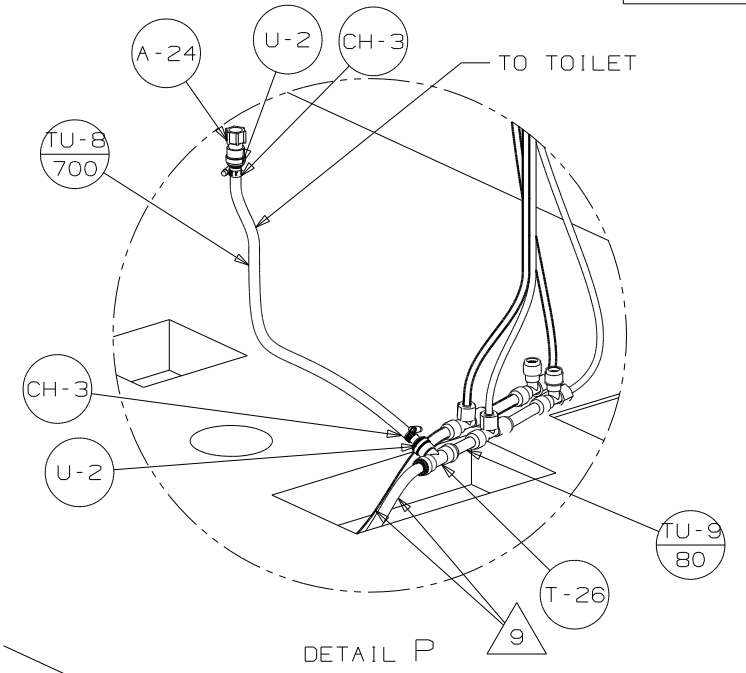
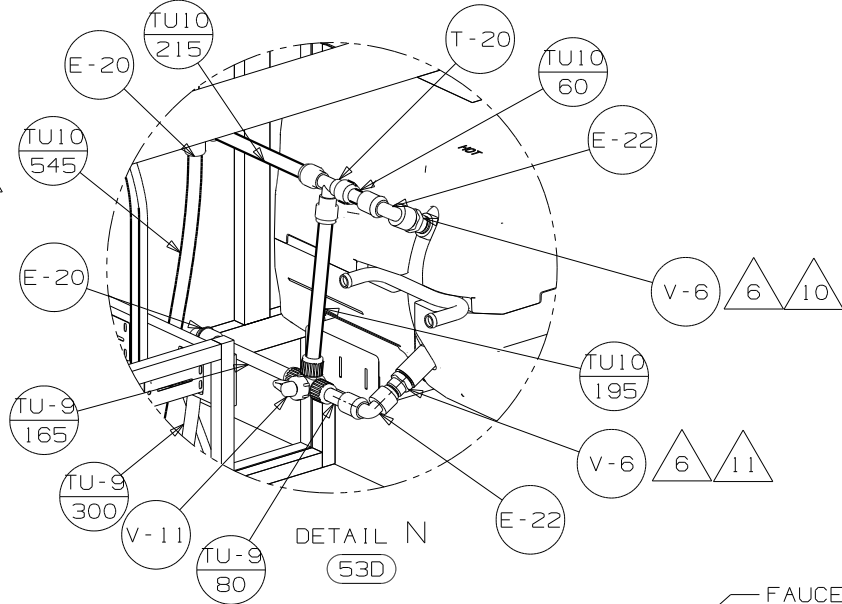
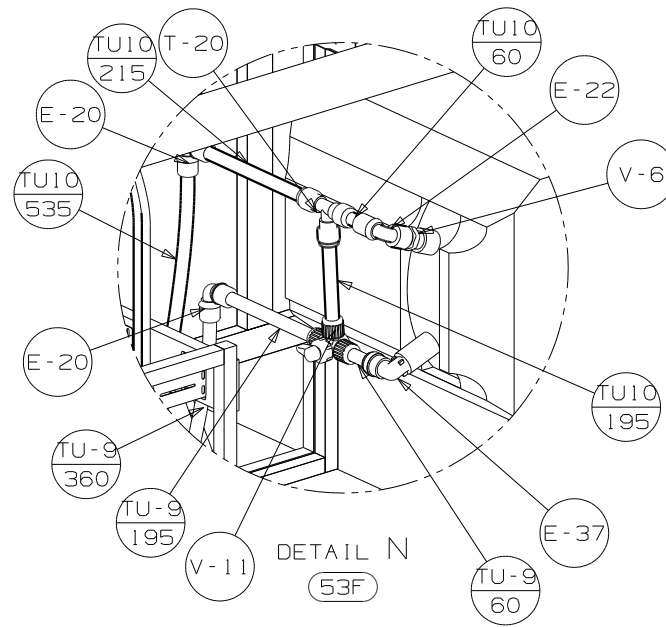
NOTES:

- 1J4 EXT WASH STATION - WITHOUT
- 64R EXTERIOR WASH STATION
- 53F WATER HEATER-ELEC. IGNITION
- 53D WTR HTR-6GAL/ELE/LP/MOTORAID

WINNEBAGO		COPYRIGHT 2010 WINNEBAGO INDUSTRIES, INC.	
DFTR	ORIG. DATE	ALL DIMENSIONS ARE IN MILLIMETERS	
CHKR		FIRST USED	
P.E.		10 E30W	
M.E.		UNSPECIFIED TOLERANCES ARE:	
DSNR		WHOLE DIM (X) : 3	
		ONE-PLACE (X.X) : 1.5	
		TWO-PLACE (X.XX) : 0.50	
		ANGLE : 1°	
		THIRD ANGLE PROJECTION	
DO NOT SCALE DRAWING		REFER TO E50018 FOR FASTENER TIGHTENING GUIDELINES	
TITLE: WATER SYSTEM INSTL			
SHEET 1 OF 4	PART NO	173242	REV
REF:	1 3/19/2010		

FOR
WATER
CALLOUTS
SEE DWG NO
116230-01-000

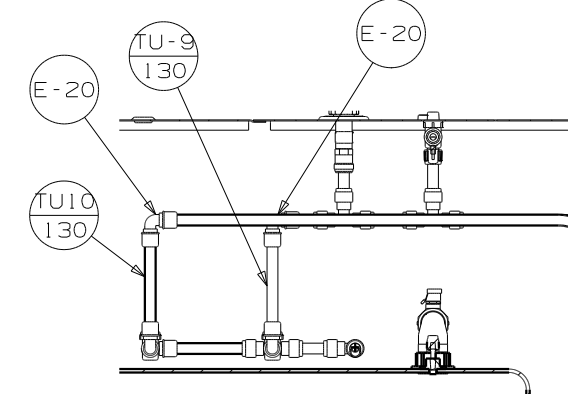
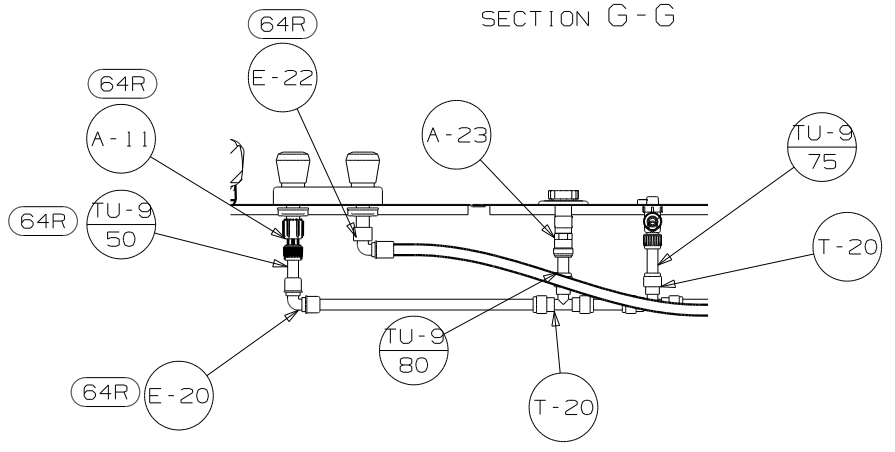
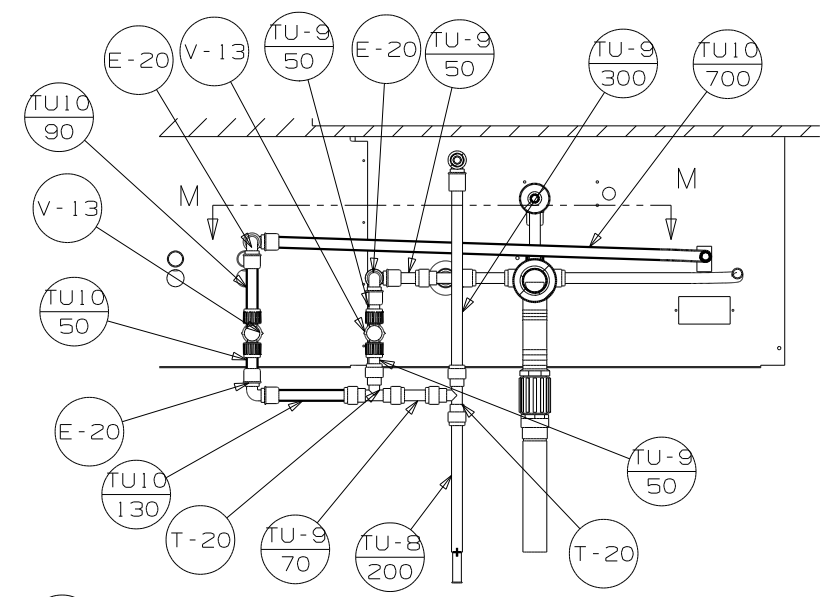
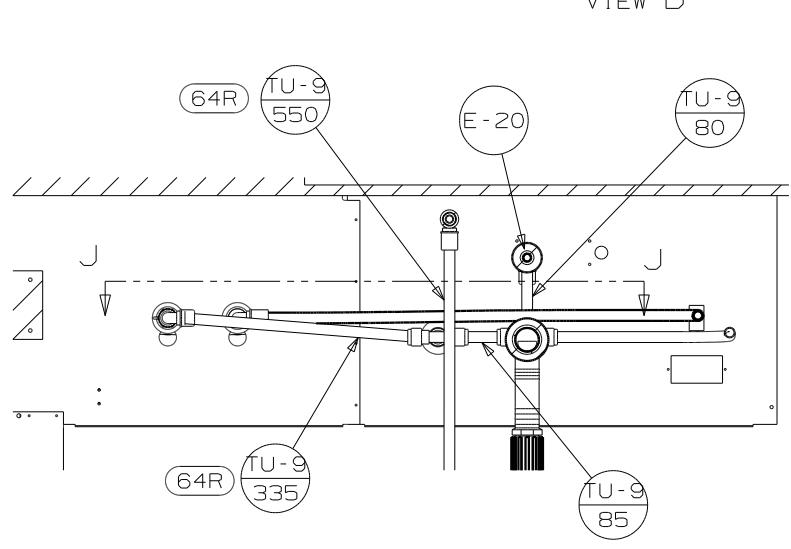
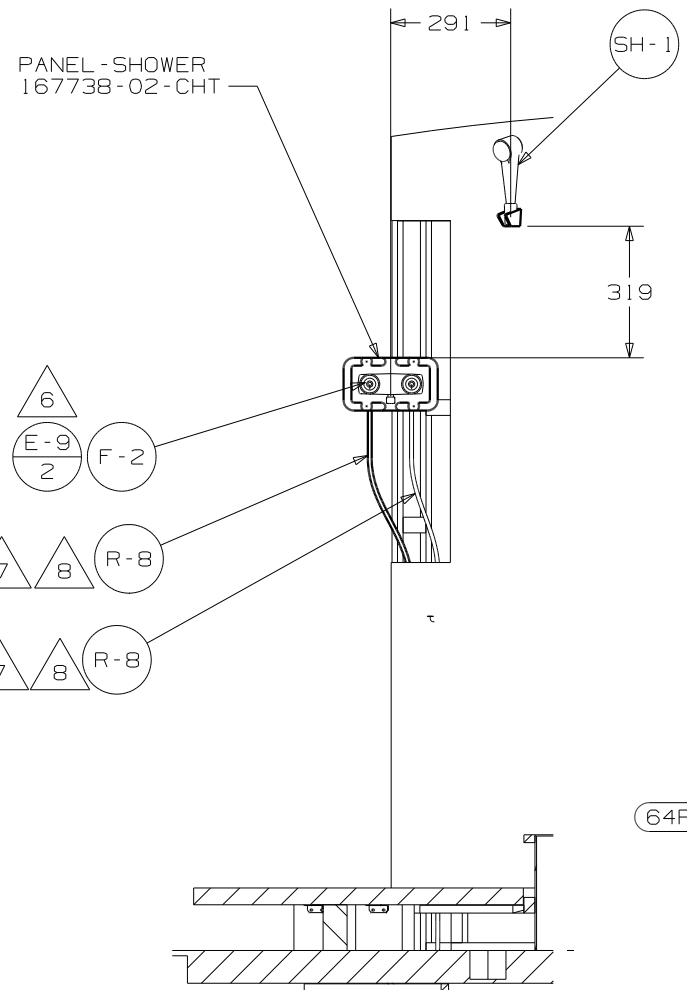
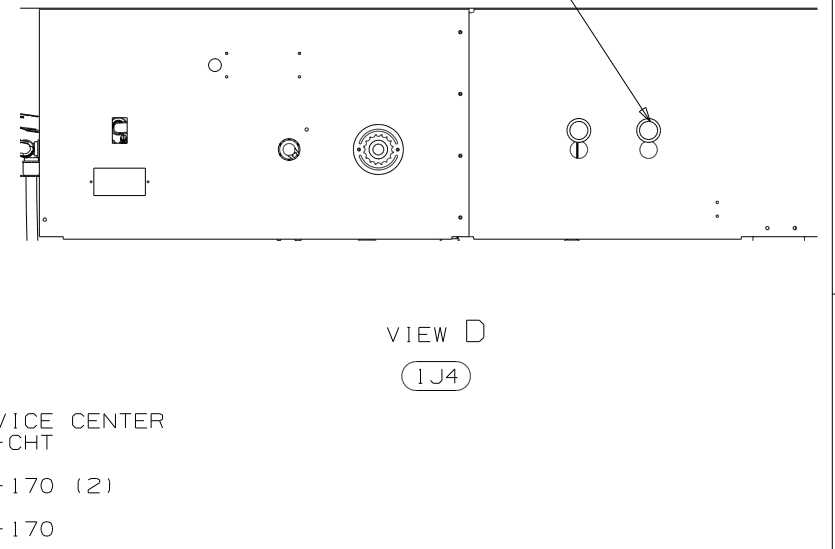
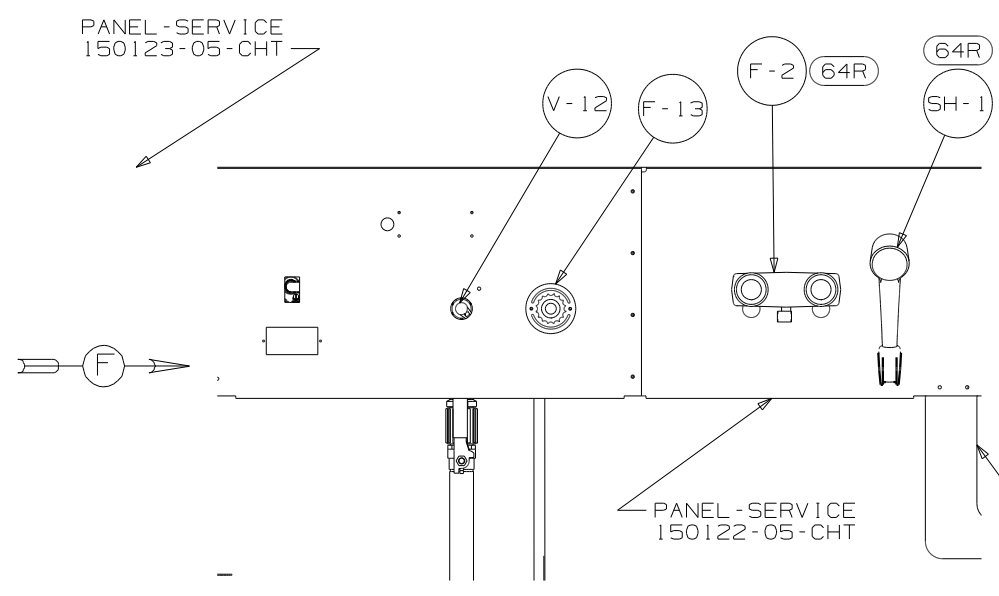
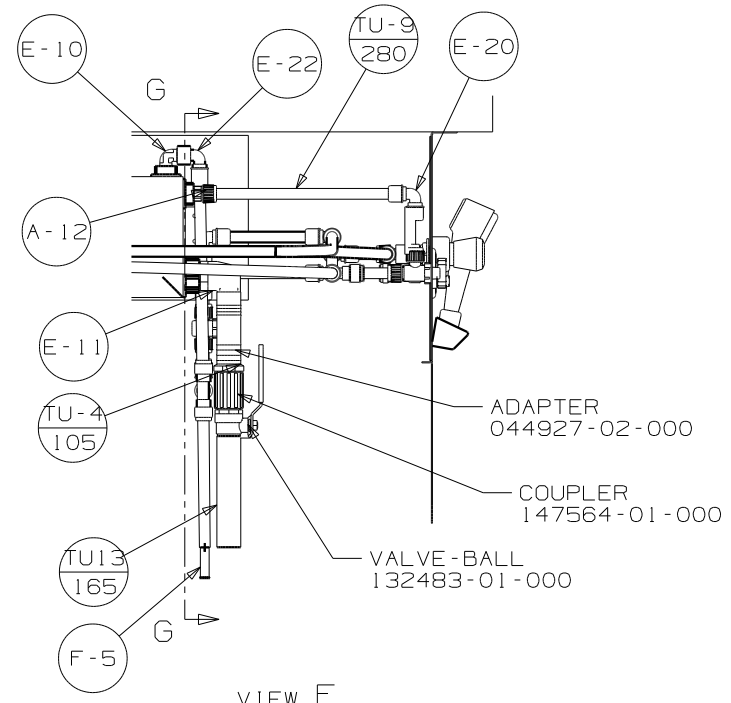




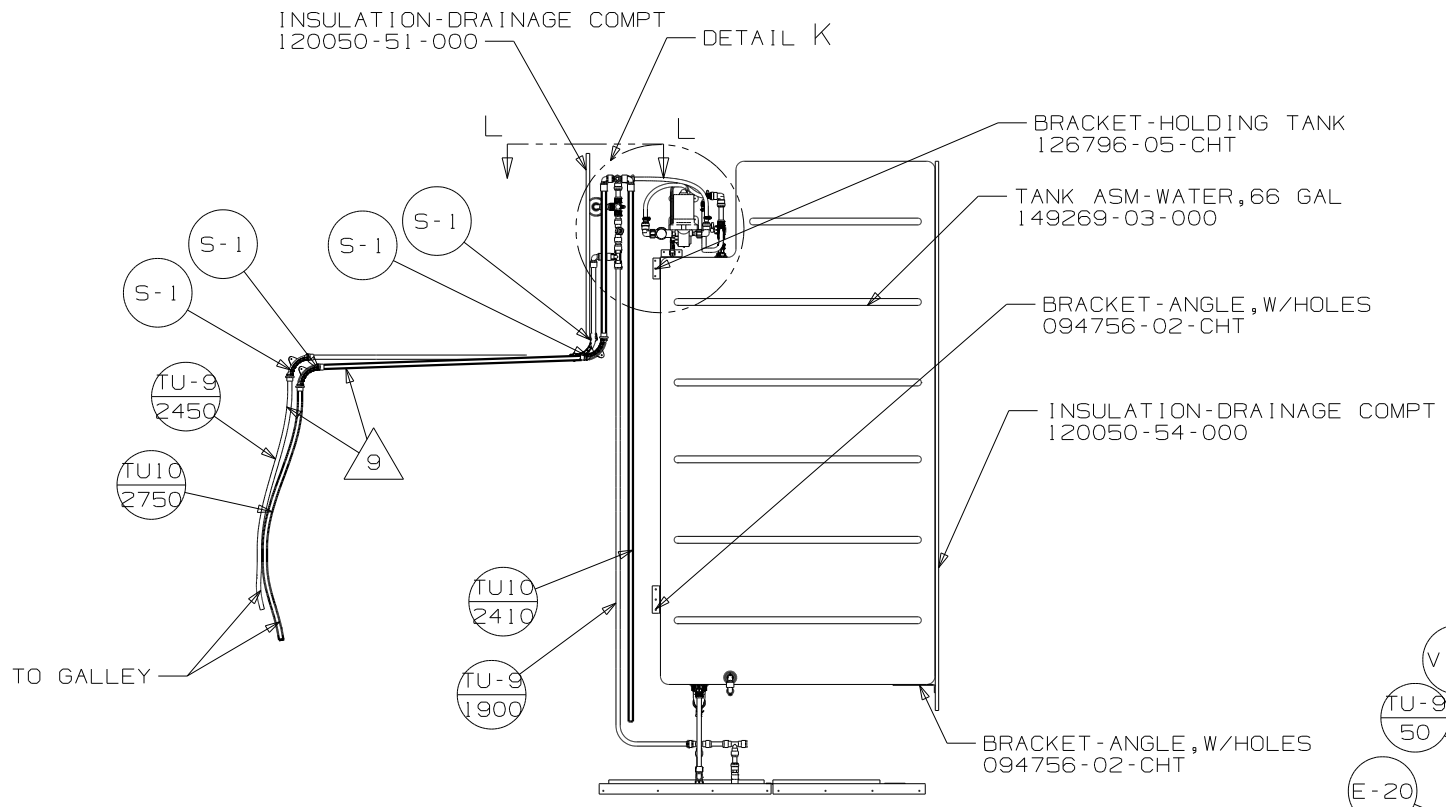
- WATER HEATER 53F
- 051391-03-000
- 145541-02-000 53D
- DOOR
- 125420-06-CHT
- CABLE
- 076767-03-000
- SCREW
- 000G11-06-08B (2)
- AL EXTR
- 002726-51-018 (2)
- 002726-51-017 (2)
- SCREW
- 000G39-10-169 (18)
- SEALANT

FIRST USED	10 E30W
TITLE	DO NOT SCALE DRAWING
SHEET 2	PART NO 173242 REV

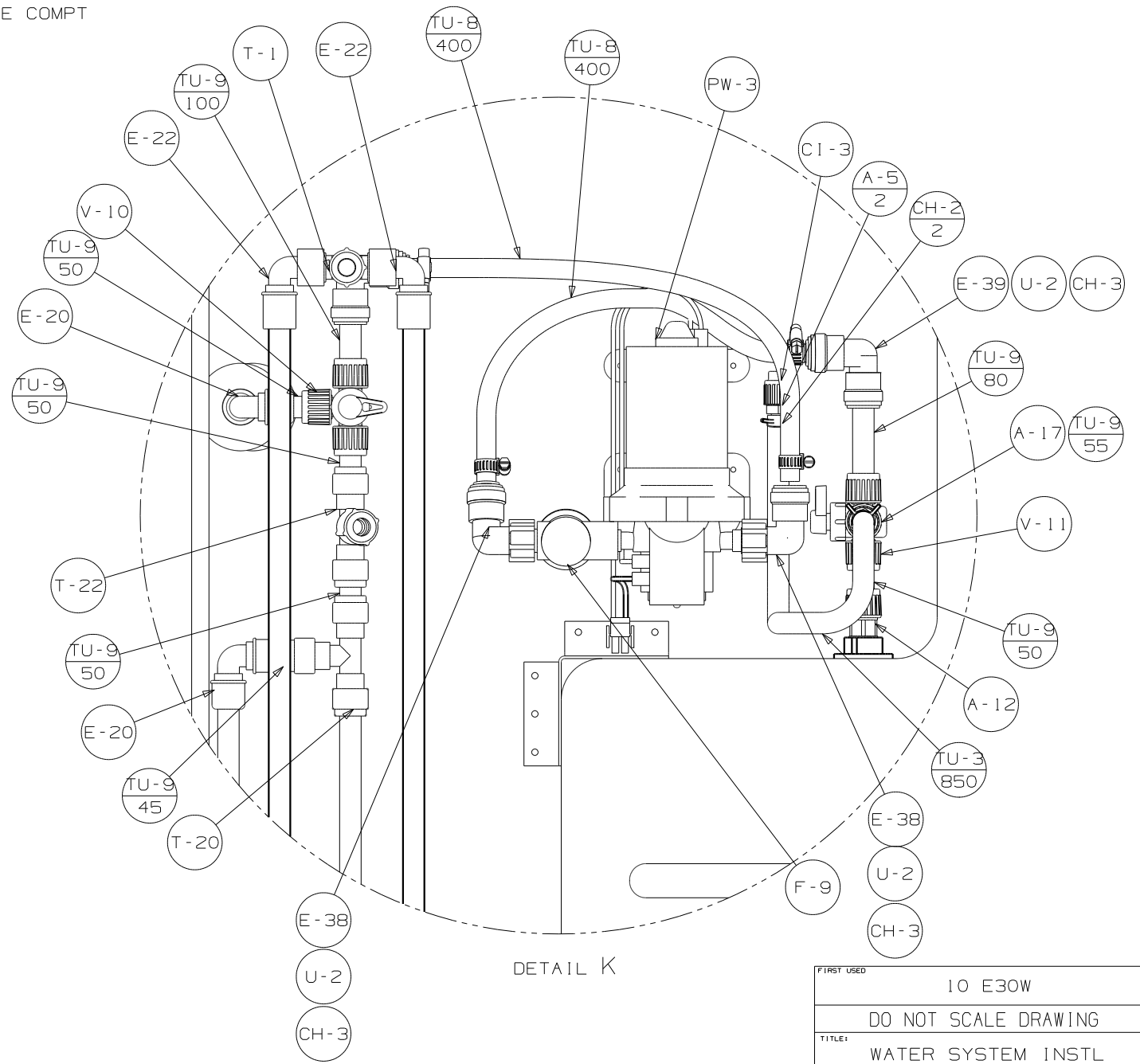
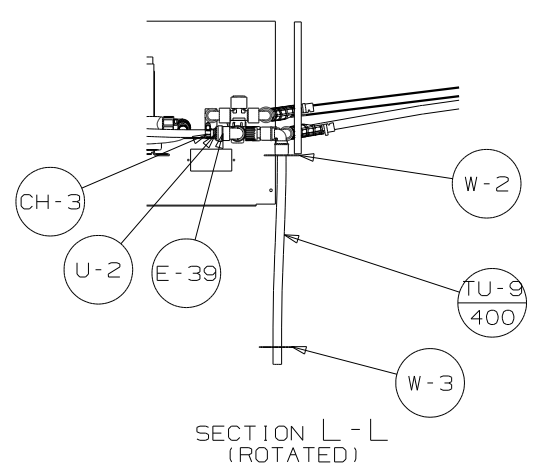
PLUG-PLASTIC
061420-09-000 (2)



FIRST USED	10 E30W
TITLE	DO NOT SCALE DRAWING
SHEET 3	WATER SYSTEM INSTL
PART NO	173242
REV	



ONLY SHOWING LINES UNDER FLOOR



DETAIL K

FIRST USED	10 E30W		
TITLE	DO NOT SCALE DRAWING		
TITLE	WATER SYSTEM INSTL		
SHEET 4	PART NO	173242	REV