

FRONT  
OF  
COACH

- (B1) CODES/STANDARDS USA
- (265) CODES/STANDARDS-CSA/CMVSS

- 9 VALVE TERMINATION TEE TO BE POSITIONED AT 10° DOWN AND OUTBOARD.
- 8 SECURE PIPES TO CABINET USING WIRE TIE 108046-02-000, AND SCREW 000667-10-12B.
- 7 SECURE VENT TUBES TO FLOOR WITH CLAMP 062401-02-000 (2), SCREW 000667-10-12B (2), BRACKET 136878-01-CHT (2).
- 6 VENT PIPE MUST PROJECT 51 MIN AND 64 MAX ABOVE ROOF FOR PROPER FIT AND FUNCTION.
- 5. SEAL AROUND SHOWER WITH SILICONE.
- 4 USE SMOOTH PLUMBERS PUTTY 167459-01-000 TO SEAL STRAINER (.2 PER STRAINER).
- 3. ALL PIPE AND FITTINGS TO BE ASSEMBLED WITH SOLVENT 004020-01-000 (USA), 004020-02-000 (CAN)
- 2. SLOPE OF TRAP ARM MUST BE 6 PER 305 mm.
- 1. SLOPE OF HORIZONTAL PIPING TO BE MIN 3 PER 305 mm.

NOTES:

<b>WINNEBAGO</b>		COPYRIGHT 2009 WINNEBAGO INDUSTRIES, INC.	
DFT	ORIG. DATE	ALL DIMENSIONS ARE IN MILLIMETERS	
CHKR		FIRST USED	
P.E.		10 E26P	
M.E.		UNSPECIFIED TOLERANCES ARE:	
DSNR		MATERIAL:	
		WHOLE DIM (X)	: 3
		ONE-PLACE (X.X)	: 1.5
		TWO-PLACE (X.XX)	: 0.50
		ANGLE	: 1°
		THIRD ANGLE PROJECTION	
DO NOT SCALE DRAWING			
TITLE: DRAINAGE SYSTEM INSTL			
SHEET 1 OF 4	PART NO	171781	REV

(X-X)  
FOR  
DRAINAGE  
CALLOUTS  
SEE DWG NO  
116229-01-000

SINK-LAVATORY  
096927-01-CHT  
SEAL  
091255-02-000 (A/R)

SINK-SMC, DBL L/S BASIN  
163942-02-CHT (US/CAN)  
STRAINER  
092303-01-000 (2)  
BRACKET AND SCREWS  
(SUPPLIED WITH SINK)  
SEAL  
(A/R)

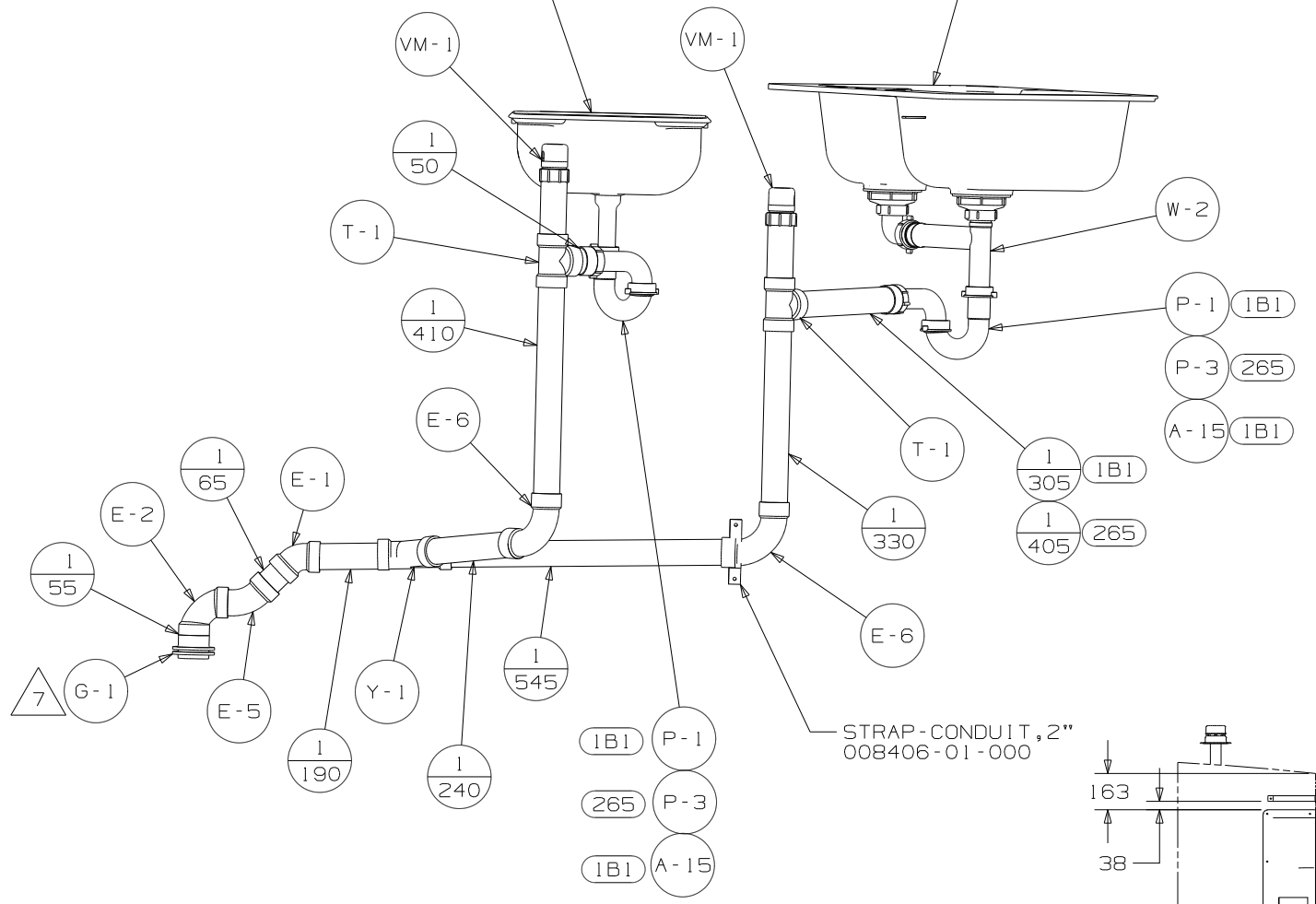
SHOWER PAN  
127586-02-CHT  
SCREW  
000G11-08-12U (10)  
000G39-08-12U (6)  
STRAINER  
066440-01-000  
SEALER  
069640-01-000  
WASHER-RUBBER  
127440-02-CHT  
TAILPIECE  
011069-02-000  
NUT  
130403-01-000

RETAINER-SHELF-SHWR  
113714-02-CHT  
000G11-08-12U  
000G39-08-12U  
COVER  
166569-01-CHT (2)

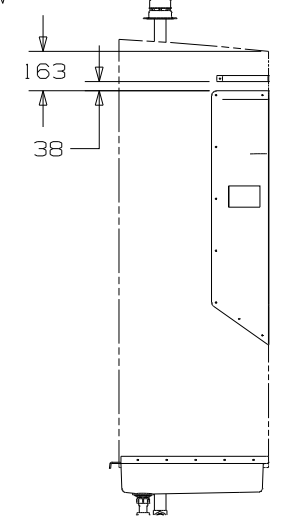
CADDY  
105707-01-CHT  
SCREW  
000G11-08-12U (8)  
000G39-08-12U (8)  
COVER  
166569-01-CHT (16)

TOILET-AM 5,HIGH,W/O SPRAYER  
147421-05-CHT

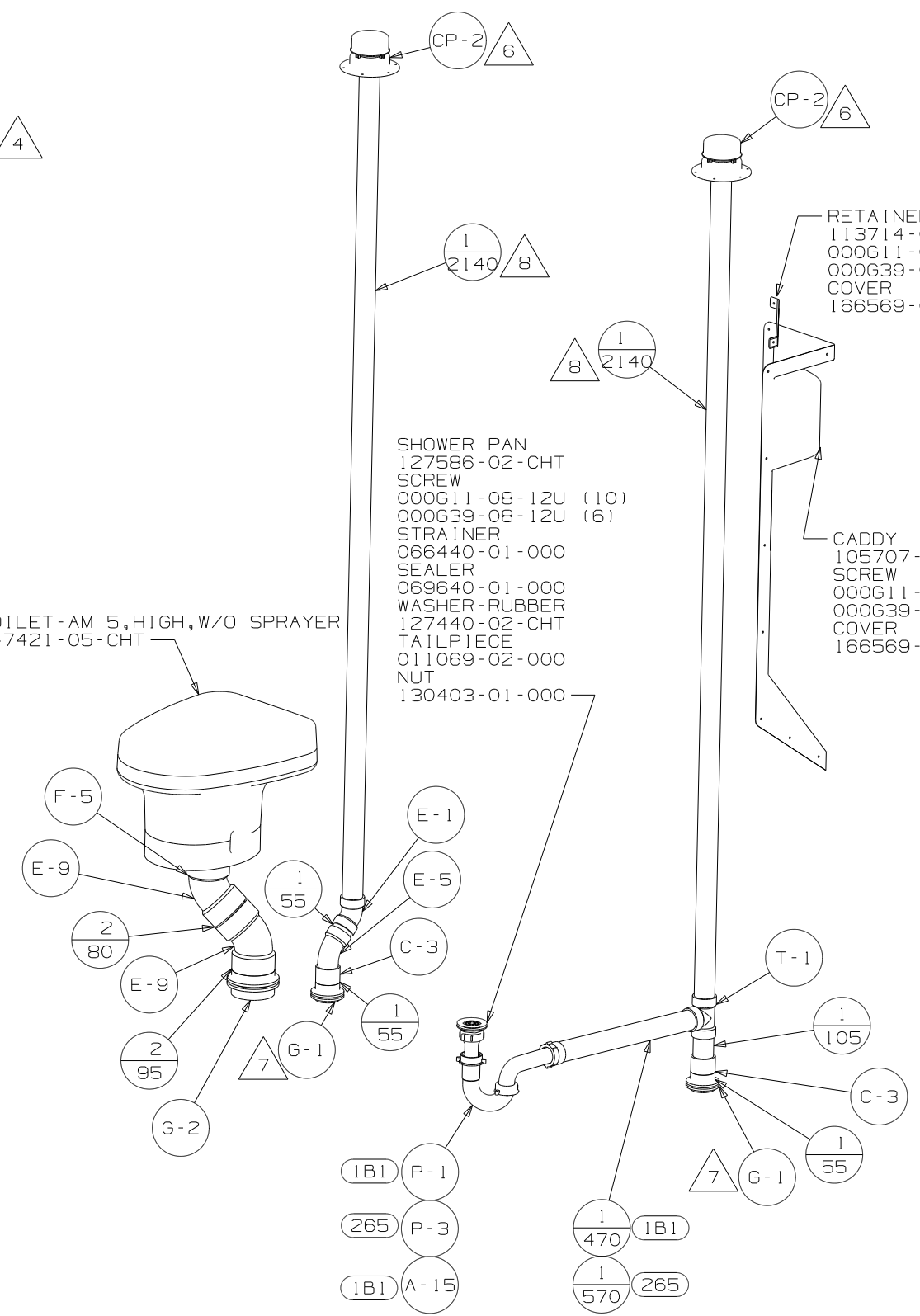
STRAP-CONDUIT, 2"  
008406-01-000



VIEW A

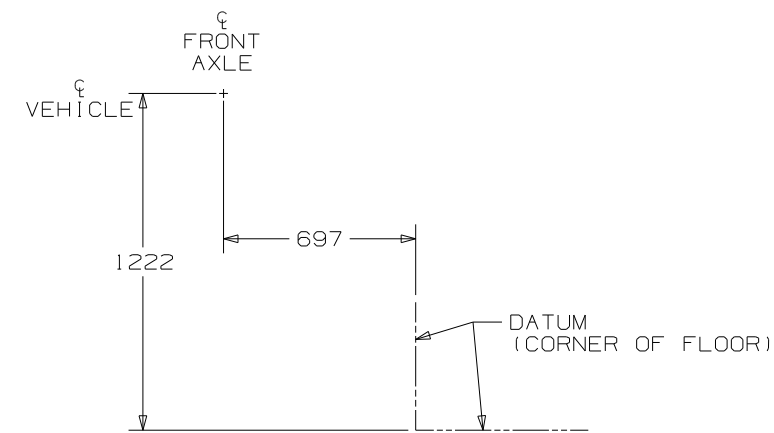


VIEW B

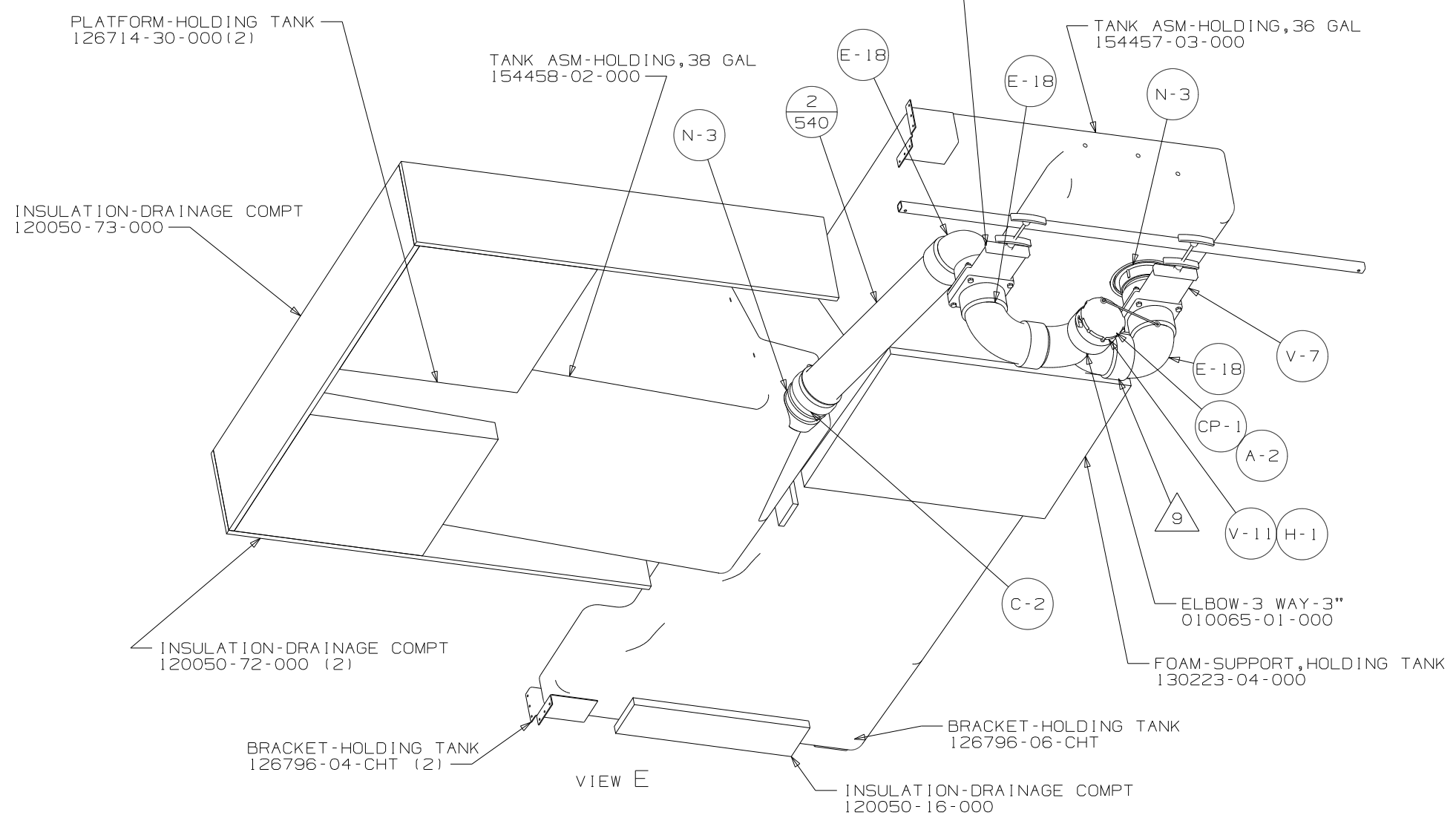
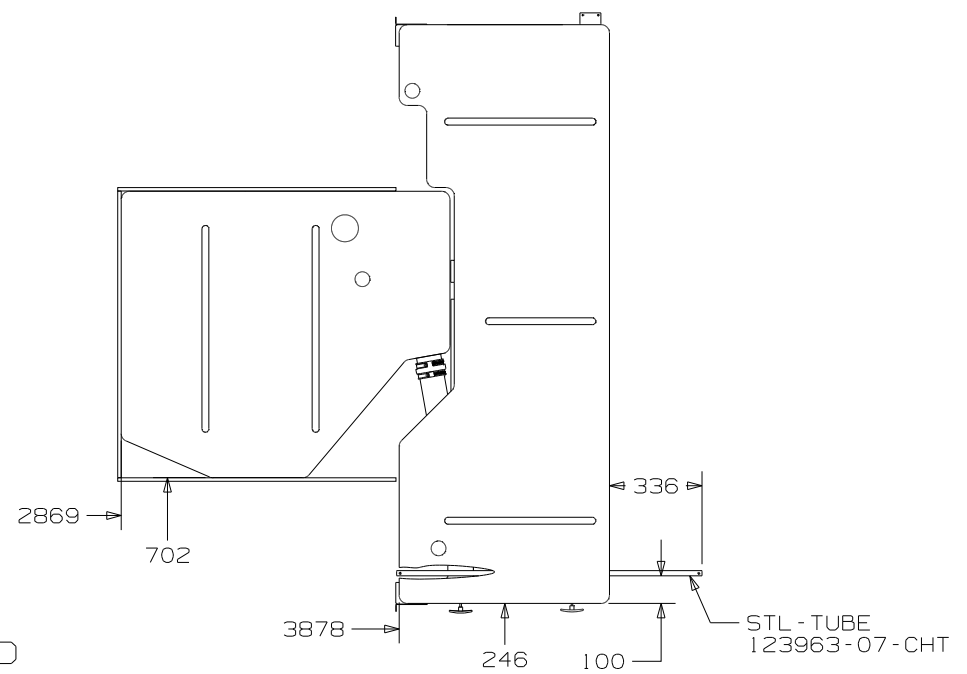


VIEW C

FIRST USED	10 E26P		
TITLE	DO NOT SCALE DRAWING		
	DRAINAGE SYSTEM INSTL		
SHEET 2	PART NO	171781	REV

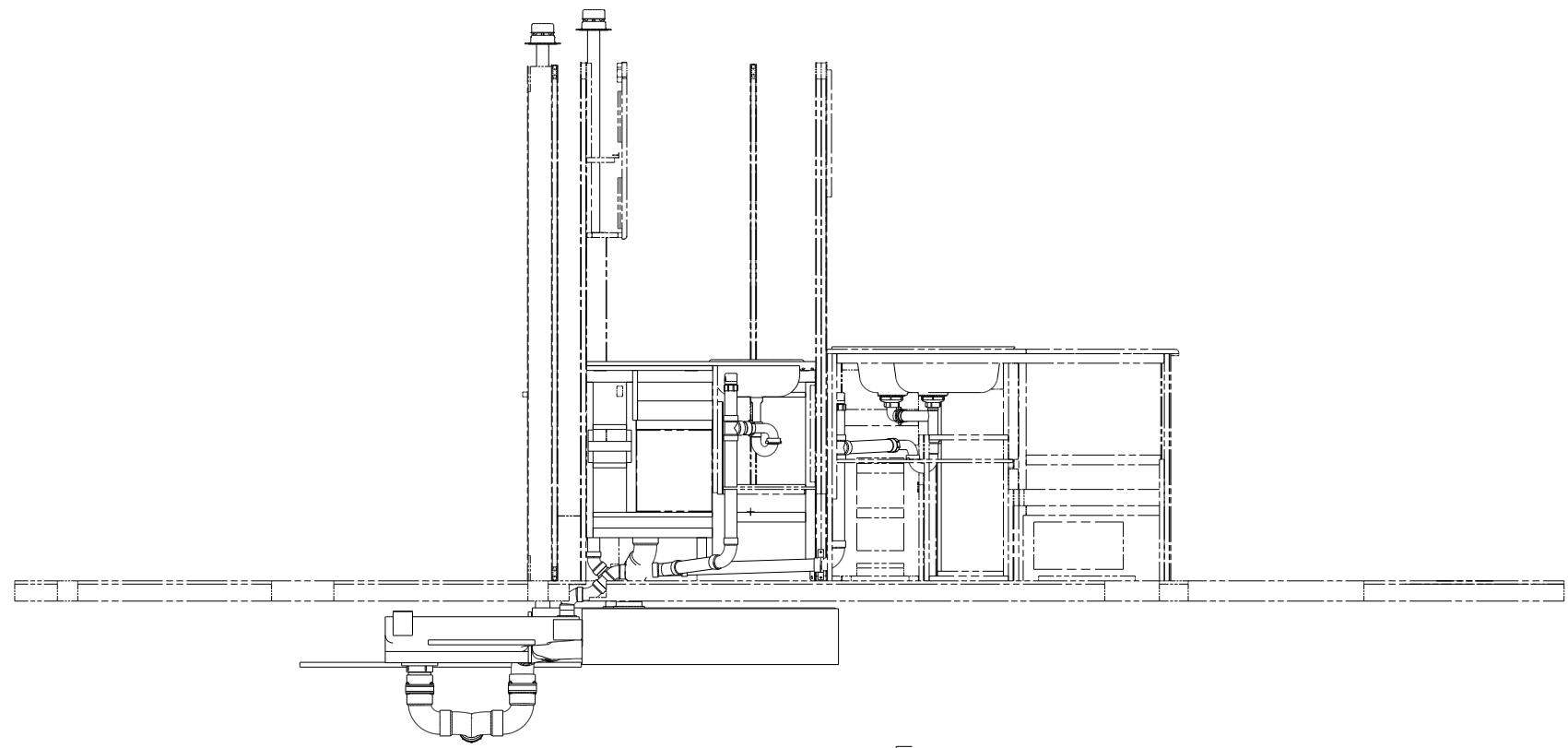


VIEW D

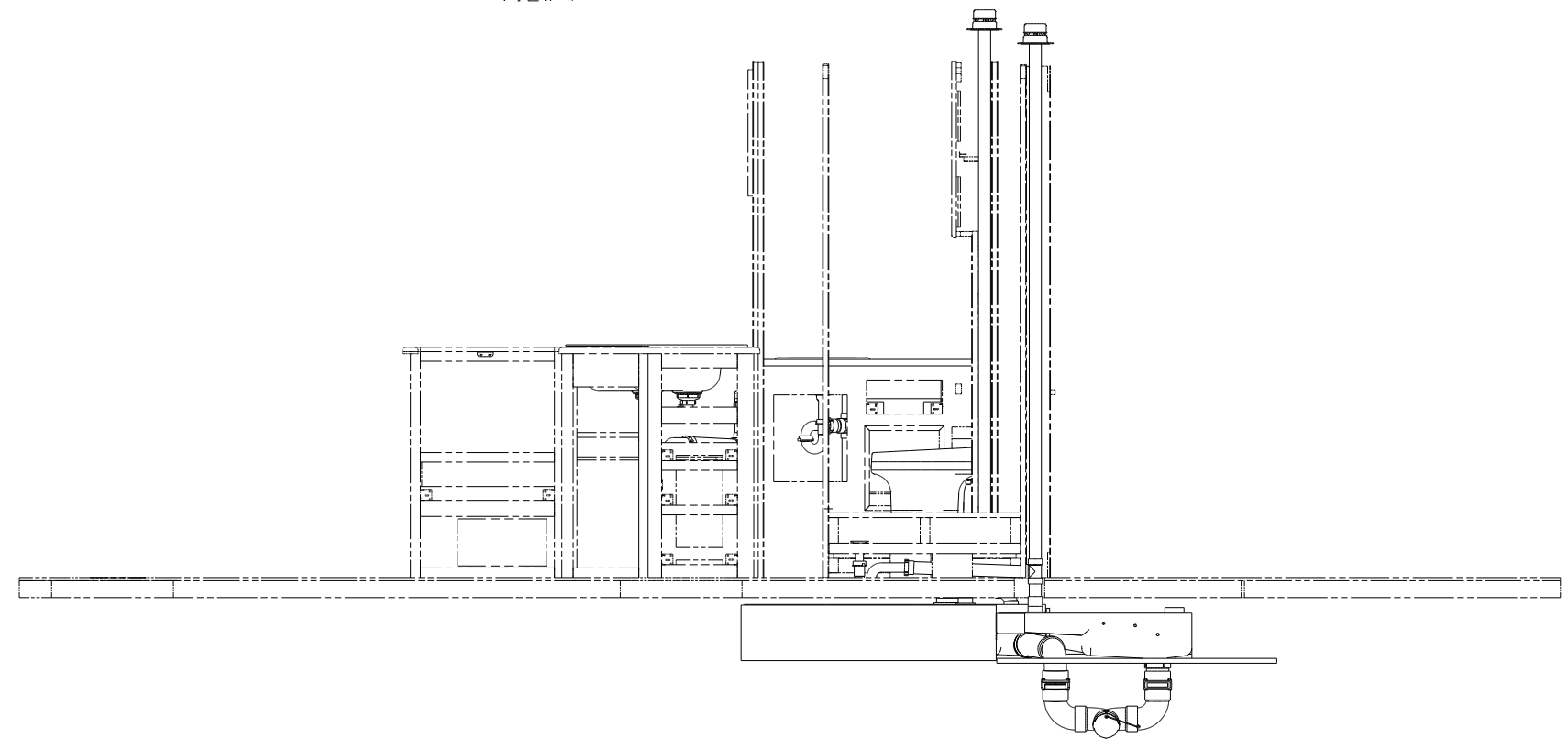


VIEW E

FIRST USED	10 E26P	
TITLE	DO NOT SCALE DRAWING	
	DRAINAGE SYSTEM INSTL	
SHEET 3	PART NO 171781	REV

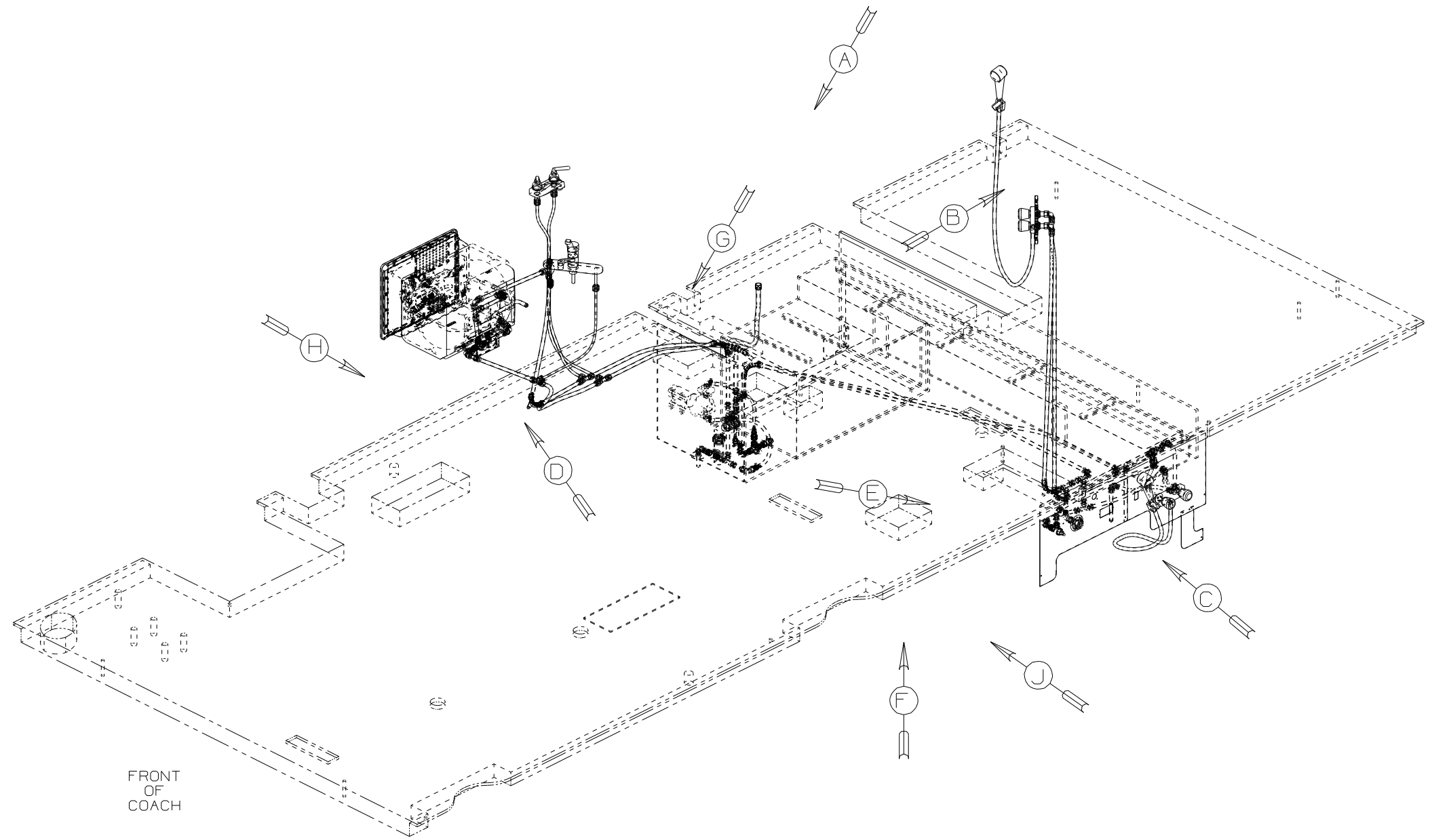


VIEW F



VIEW G

FIRST USED	10 E26P	
TITLE	DO NOT SCALE DRAWING	
	DRAINAGE SYSTEM INSTL	
SHEET 4	PART NO 171781	REV



- (64R) EXTERIOR WASH STATION
- (1J4) EXTERIOR WASH STATION W/O
- (53F) WATER HEATER-ELEC. IGNITION
- (53Z) WTR HTR-6GAL/110/LP/MTR/AUTO

- NOTES:
- △ 6 ADD PIPE WRAP (LADDER SCRAP 110157-02) INSULATION HERE.
  - △ 5 ADD TEFLON TAPE 010405-01-000.
  - △ 4 ADD TEFLON TAPE 010405-02-000.
  - 3. ALL TUBING TO BE SECURED AT 1200 INTERVALS MAXIMUM WITH CLAMP 010495-01-000 AND SCREW 000G67-10-12B OR EQUIVALENT.
  - 2. TUBING TO BE INSTALLED WITH SUFFICIENT SLOPE TO PROVIDE DRAINAGE TO NEAREST VALVE.
  - 1. PLASTIC FITTINGS TO BE SEALED WITH SEALANT 084456-01-000.

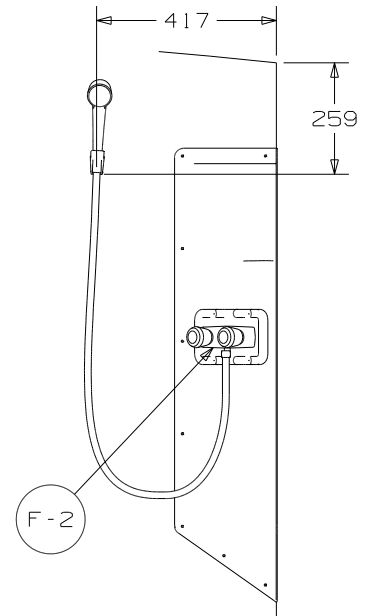
<b>WINNEBAGO</b>		COPYRIGHT 2009 WINNEBAGO INDUSTRIES, INC.	
DFTR	ORIG. DATE	ALL DIMENSIONS ARE IN MILLIMETERS	
CHKR		FIRST USED	
P.E.		10 E26P	
M.E.		UNSPECIFIED TOLERANCES ARE:	
DSNR		MATERIAL:	
		WHOLE DIM (X)	: 3
		ONE-PLACE (X.X)	: 1.5
		TWO-PLACE (X.XX)	: 0.50
		ANGLE	: 1°
THIRD ANGLE PROJECTION		DO NOT SCALE DRAWING	
TITLE: WATER SYSTEM INSTL			
SHEET 1 OF 5	PART NO	171782	REV
REF:	12/18/2009		

(X-X)  
FOR  
WATER  
CALLOUTS  
SEE DWG NO  
116230-01-000

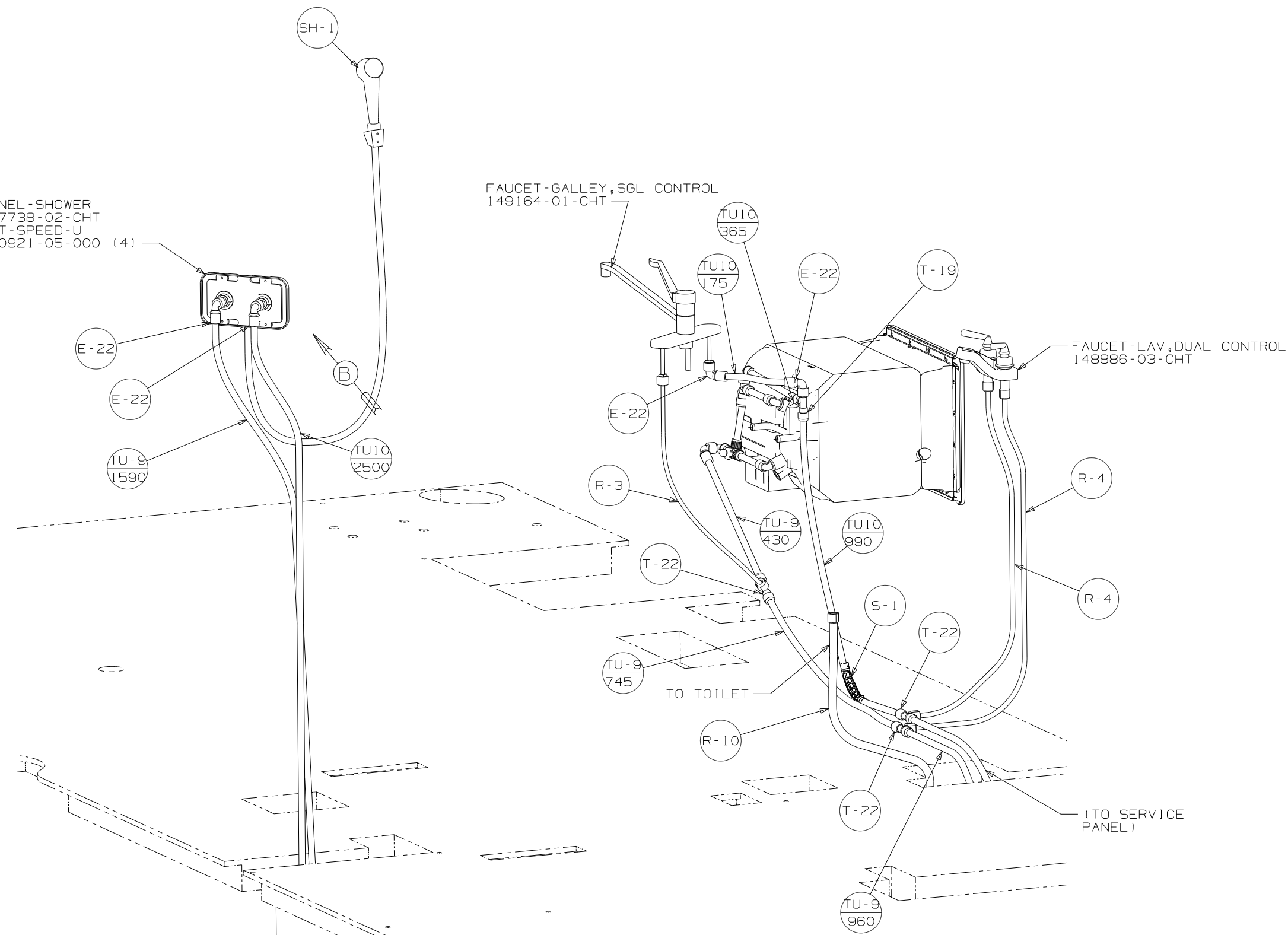
PANEL - SHOWER  
167738-02-CHT  
NUT - SPEED - U  
040921-05-000 (4)

FAUCET - GALLEY, SGL CONTROL  
149164-01-CHT

FAUCET - LAV, DUAL CONTROL  
148886-03-CHT

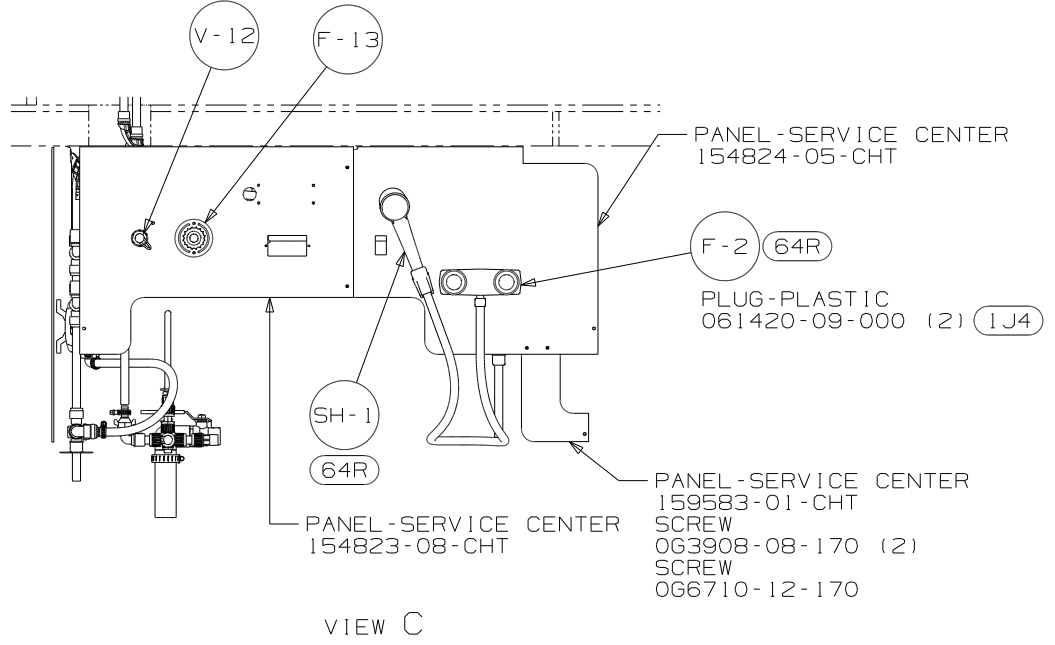


VIEW B

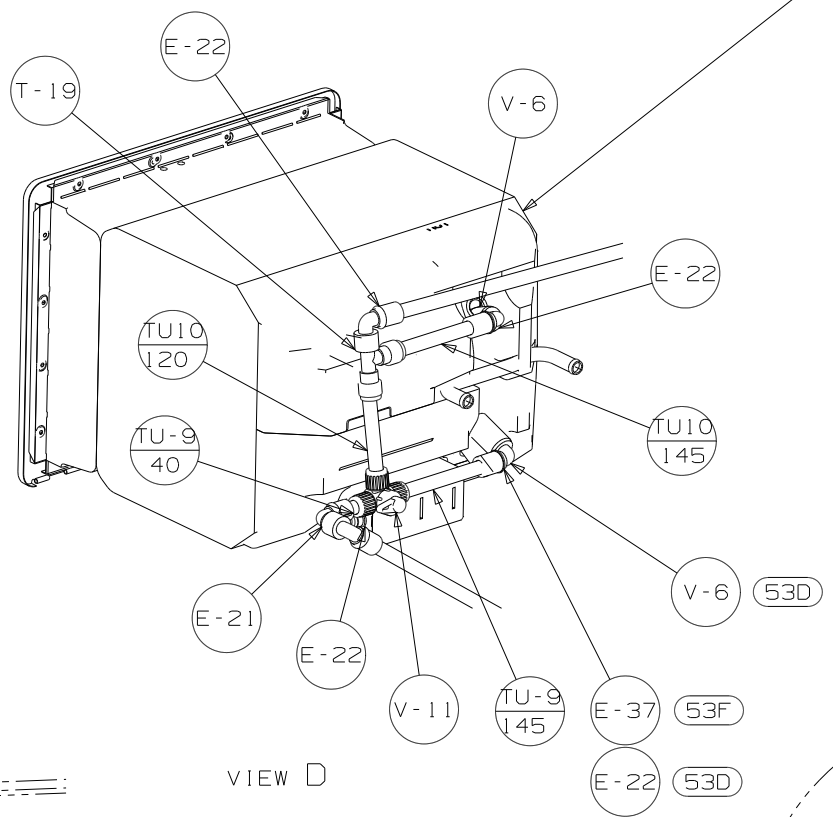


VIEW A

FIRST USED	10 E26P		
TITLE	DO NOT SCALE DRAWING		
	WATER SYSTEM INSTL		
SHEET 2	PART NO	171782	REV

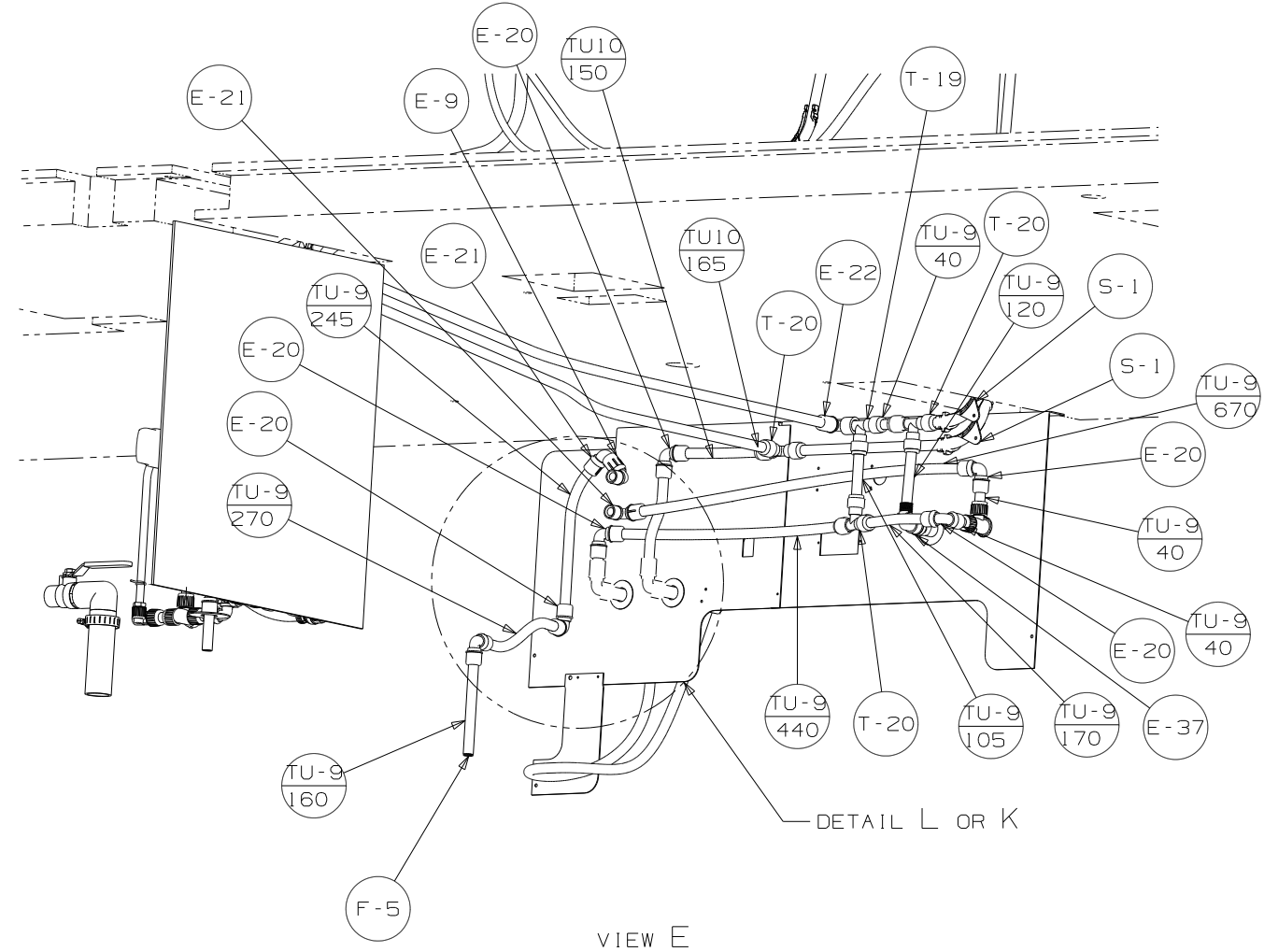


VIEW C

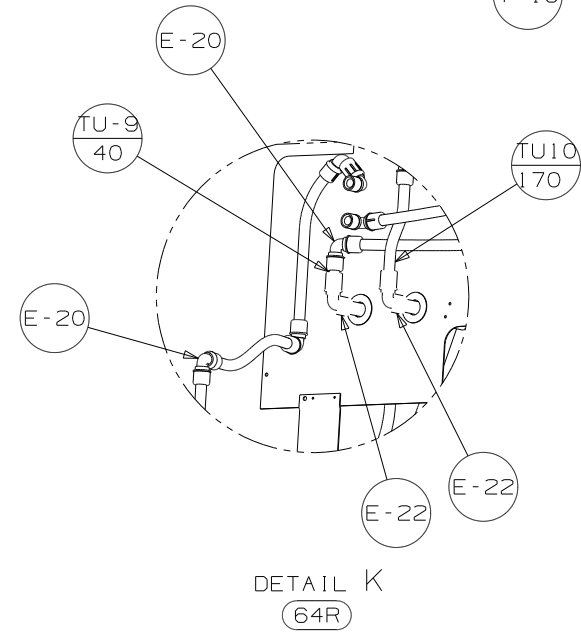


VIEW D

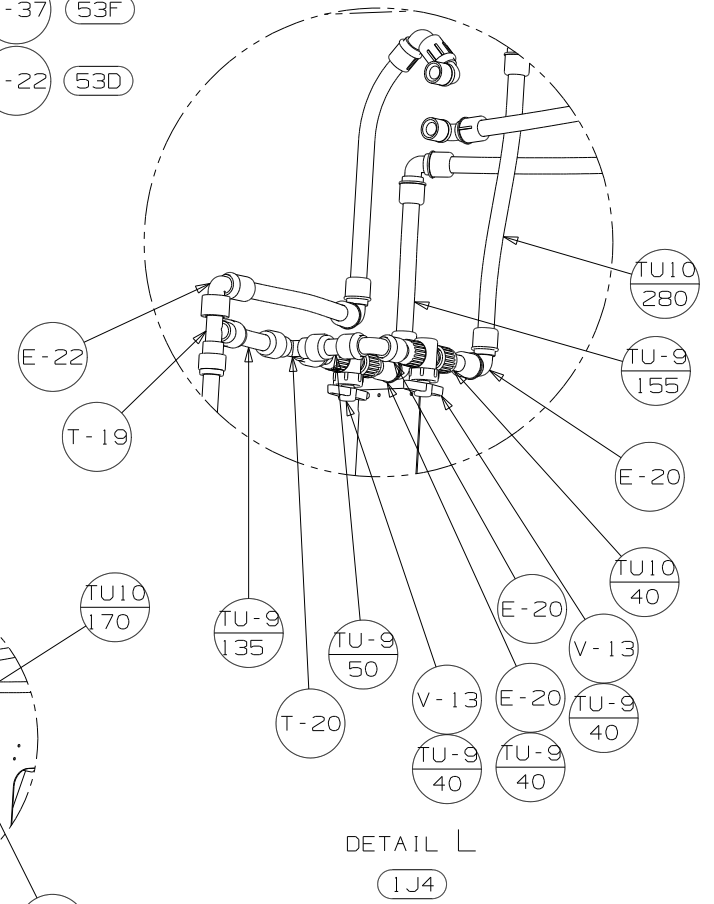
- WATER HEATER-6-GAL  
051391-03-000 (53F)
- 145541-02-000 (53Z)
- DOOR  
125420-06-CHT
- SCREW  
000639-10-48B (2)
- AL EXTR  
002726-01-210 (2)
- 002726-01-212 (2)
- SCREW  
000639-10-169 (18)
- CABLE  
076767-03-000
- SCREW  
000611-06-08B (2)
- SEALANT



VIEW E

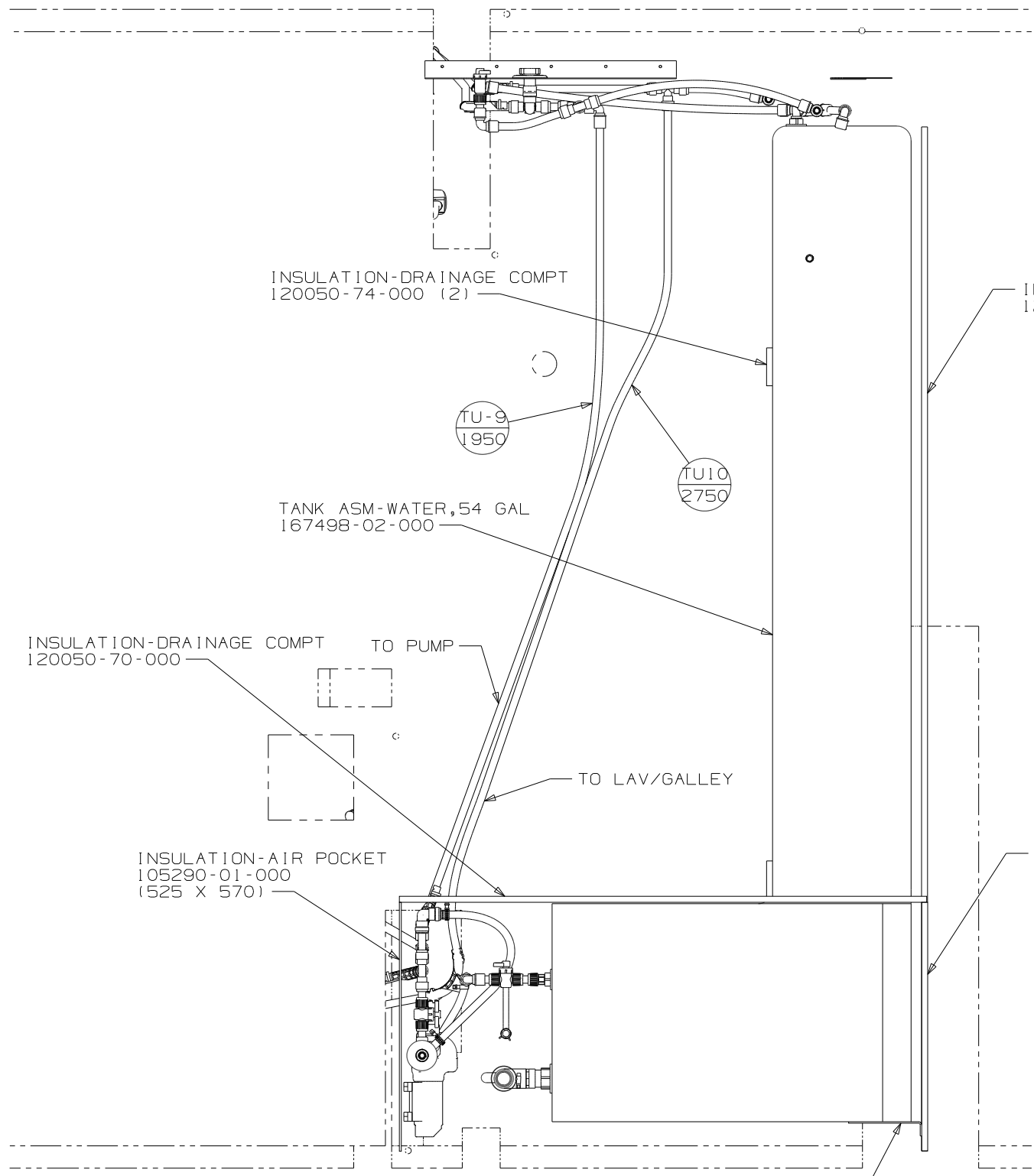


DETAIL K (64R)

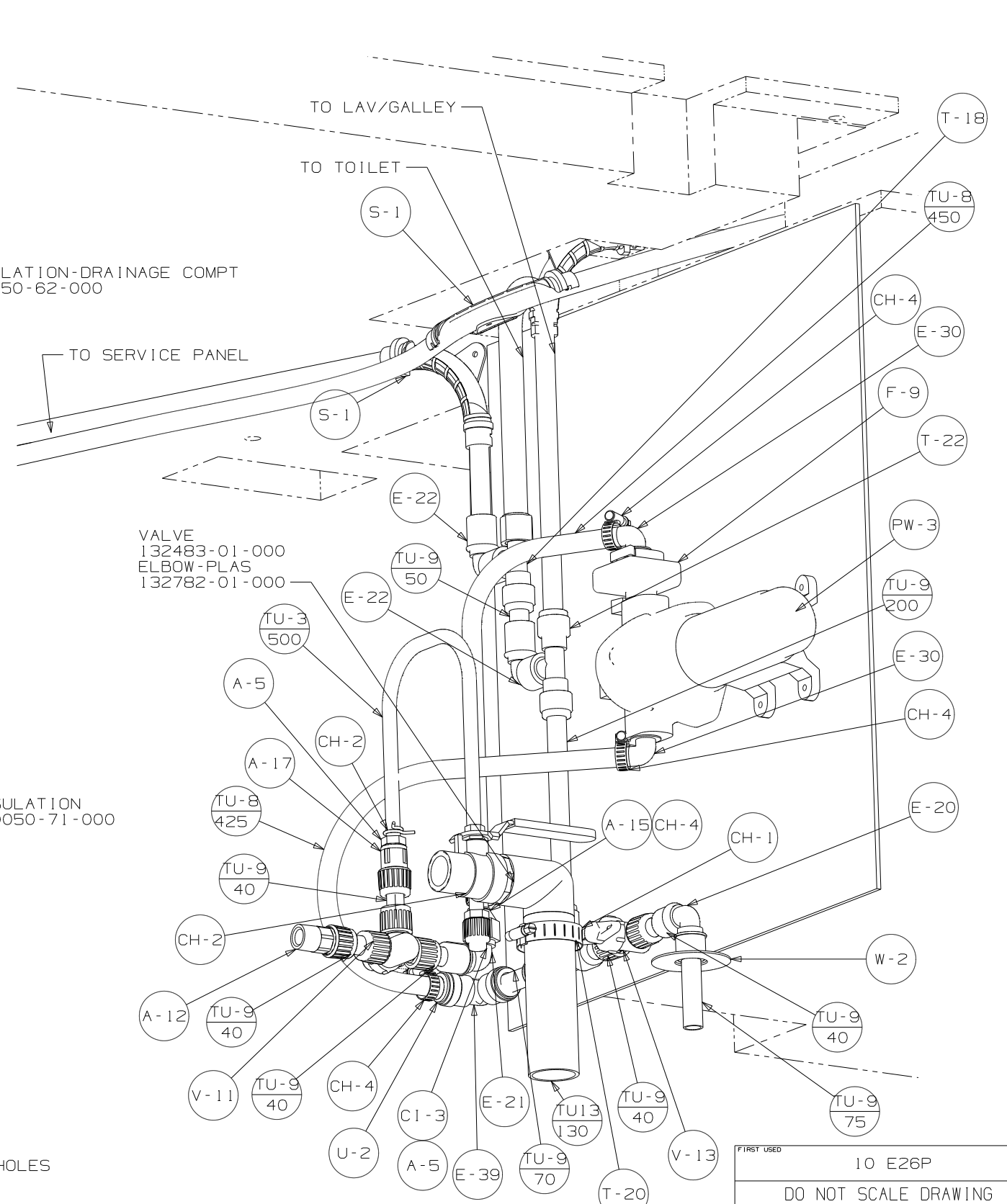


DETAIL L (1J4)

FIRST USED	10 E26P
TITLE:	DO NOT SCALE DRAWING
	WATER SYSTEM INSTL
SHEET 3	PART NO 171782 REV



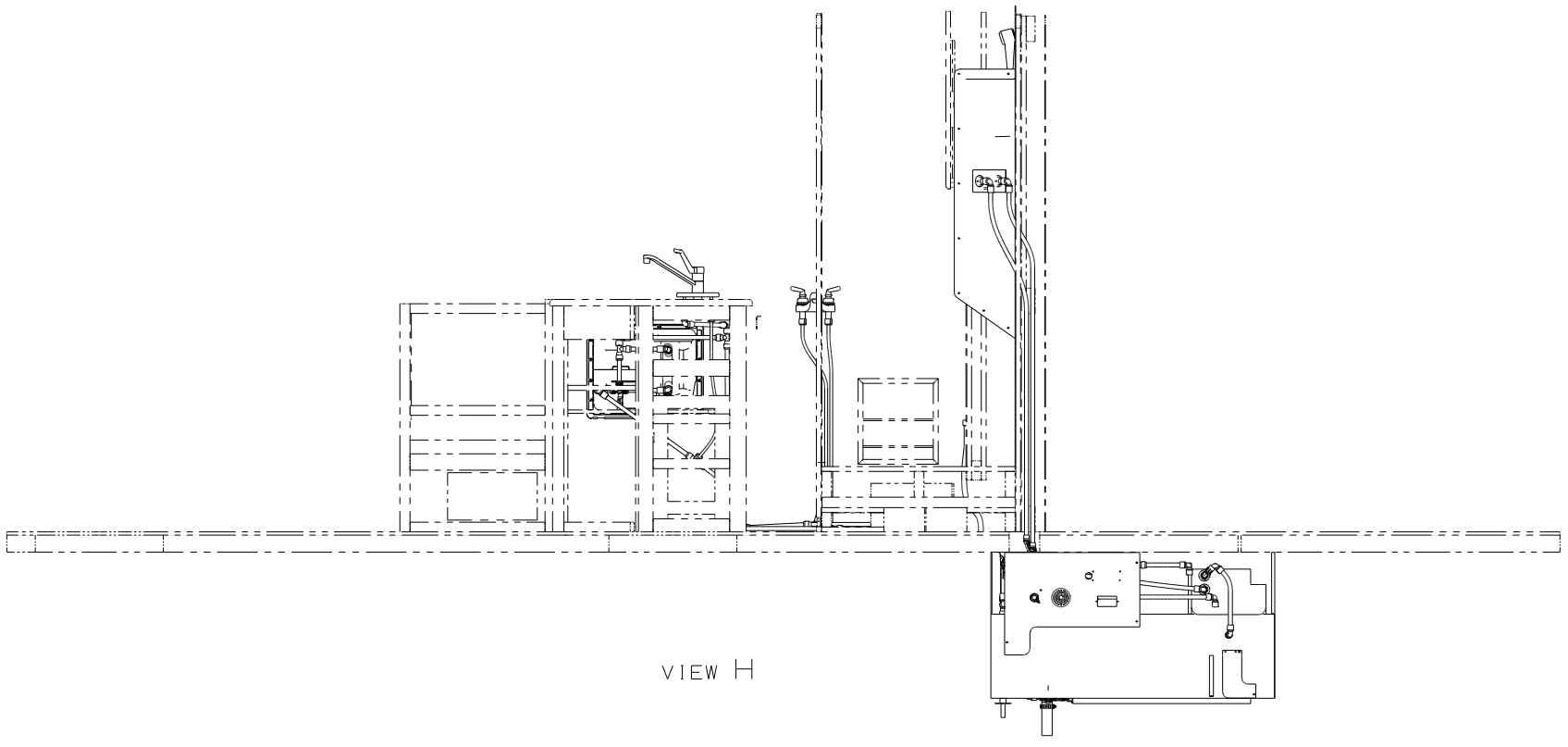
VIEW F



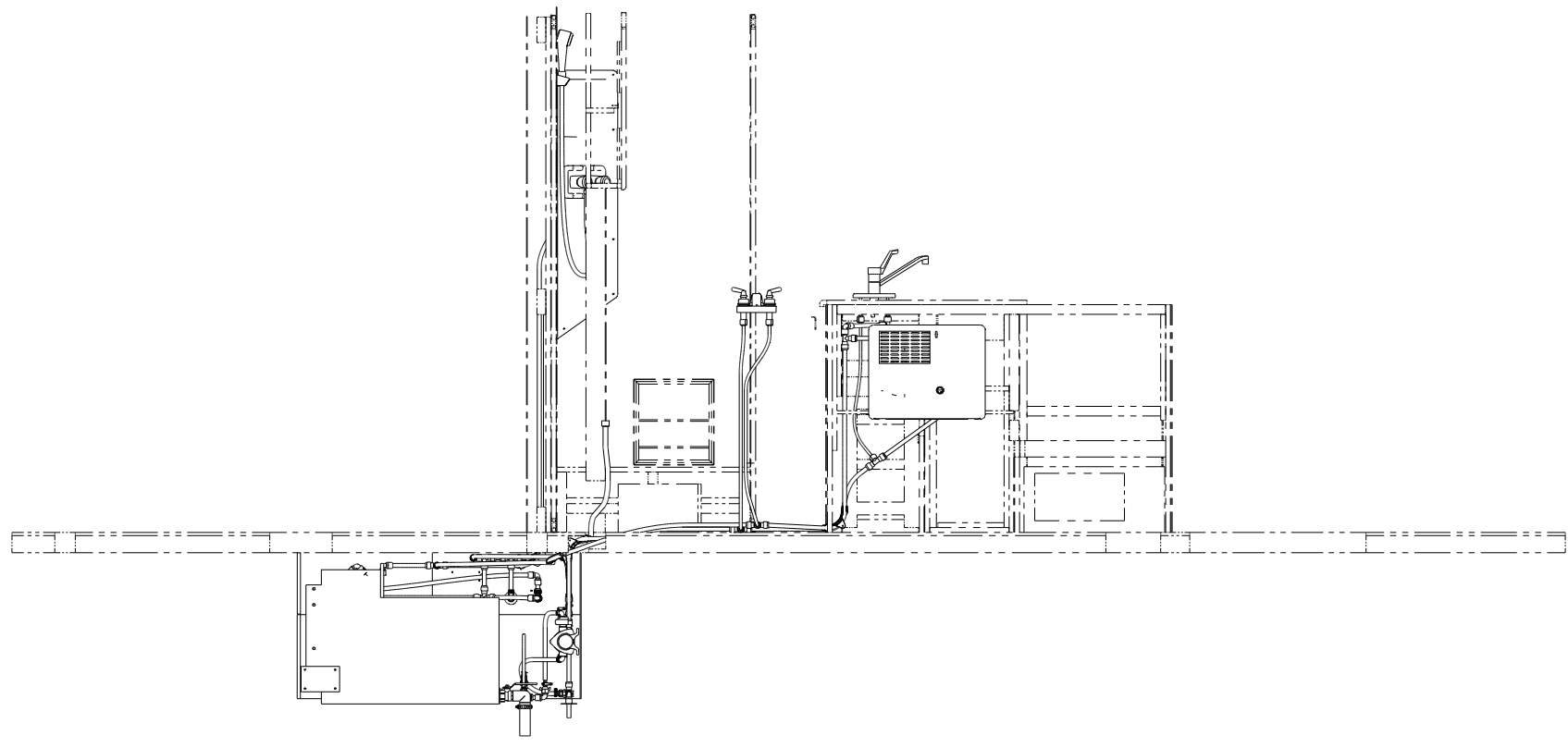
VIEW G  
(TANK NOT SHOWN)

FIRST USED	10 E26P
DO NOT SCALE DRAWING	
TITLE:	WATER SYSTEM INSTL
SHEET 4	PART NO 171782 REV





VIEW H



VIEW J

FIRST USED	10 E26P
TITLE	DO NOT SCALE DRAWING
SHEET 5	WATER SYSTEM INSTL
PART NO	171782
REV	