

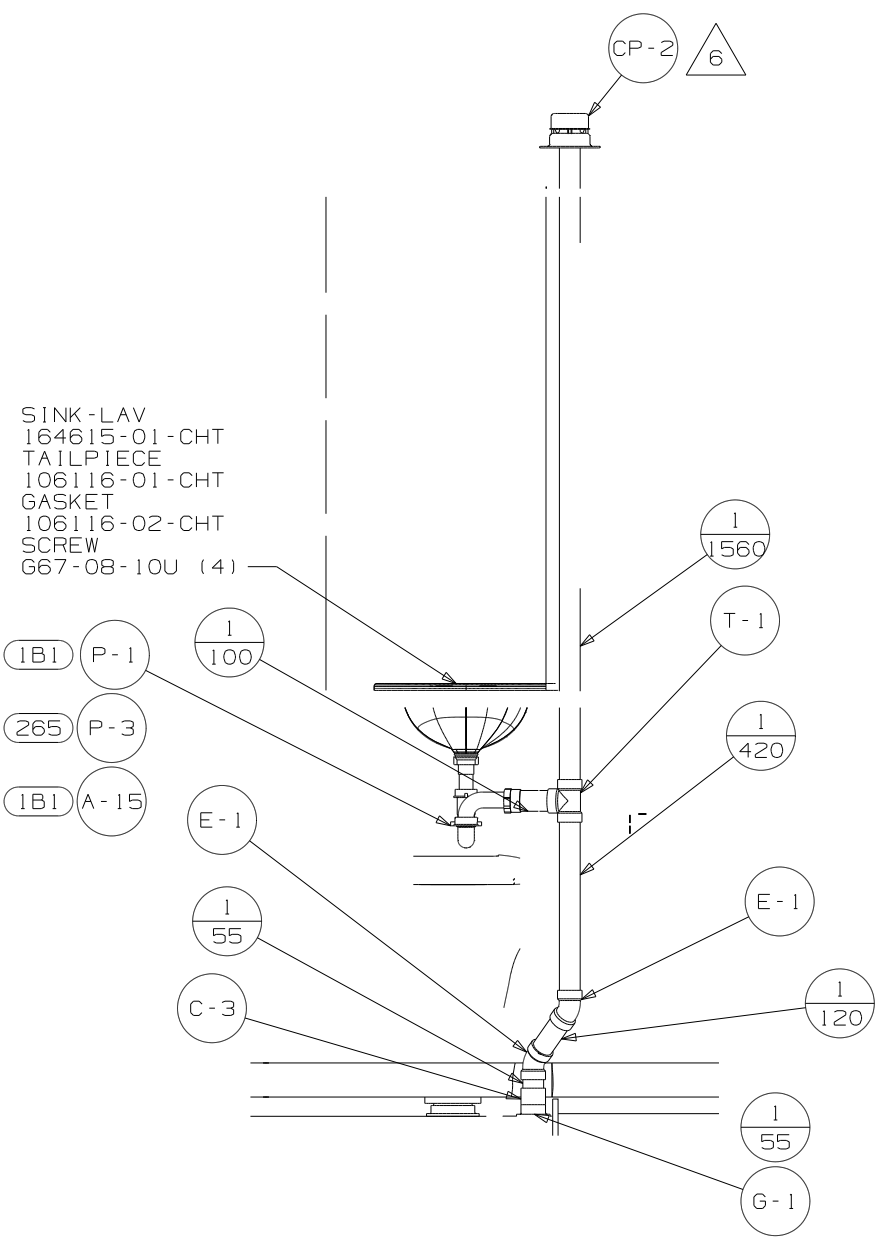
8. USE SMOOTH PLUMBER'S PUTTY 167459-0-000 TO SEAL STRAINER (.2 PER STAINER).
 7. SECURE VENT PIPE TO FLOOR WITH CLAMP 62401-02-000 (2), SCREW G67-10-12B (2), BRACKET 136878-01-CHT (2).
 6. VENT PIPE MUST PROJECT 51 MIN AND 64 MAX ABOVE ROOF FOR PROPER FIT AND FUNCTION. ADD S-1 (116666-01-CHT SEAL-VENT PIPE) AROUND PIPE ON ROOF BEFORE VENT CAP IS INSTALLED.
 5. SEAL AROUND SHOWER WITH SILICONE.
 4. SECURE DRAINAGE PIPES TO CABINET USING WIRE TIE 108046-02-000, AND SCREW G67-10-12B AT INTERVALS OF NOT MORE THAN 4 FEET APART.
 3. ALL PIPE AND FITTINGS TO BE ASSEMBLED WITH SOLVENT 4020-01-000 (USA), 4020-02-000 (CAN)
 2. SLOPE OF TRAP ARM MUST BE 6 PER 305 mm.
 1. SLOPE OF HORIZONTAL PIPING TO BE MINIMUM OF 3 PER 305 mm.

NOTES:

		COPYRIGHT 2009 WINNEBAGO INDUSTRIES, INC.
D/FR	ORIG. DATE	
CHKR	ALL DIMENSIONS ARE IN MILLIMETERS	
P.E.		
M.E.	FIRST USED	
DSNR	09 D37L	
UNSPECIFIED TOLERANCES ARE:		MATERIAL:
WHOLE DIM (X)	: 3	
ONE-PLACE (X.X)	: 1.5	
TWO-PLACE (X.XX)	: 0.50	
ANGLE	: 1°	
THIRD ANGLE PROJECTION		
DO NOT SCALE DRAWING		
TITLE: DRAINAGE SYSTEM INSTL		
SHEET 1 OF 3	PART NO	REV
	168986	
REF:	1 3/16/2009	

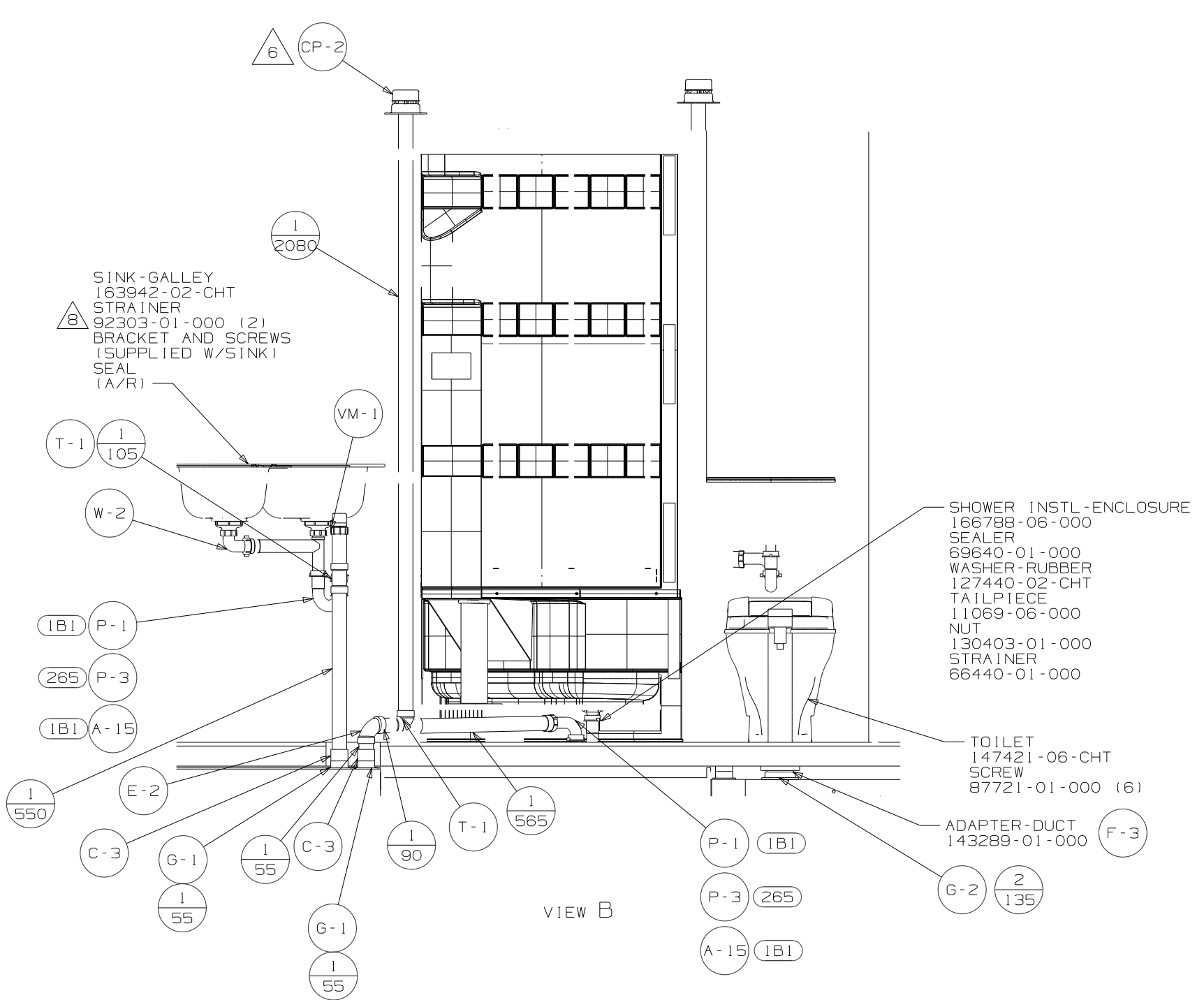
FOR
 DRAINAGE
 CALLOUTS
 SEE DWG NO
 116229-01-000





SINK-LAV
 164615-01-CHT
 TAILPIECE
 106116-01-CHT
 GASKET
 106116-02-CHT
 SCREW
 667-08-10U (4)

VIEW A



SINK-GALLEY
 163942-02-CHT
 STRAINER
 92303-01-000 (2)
 BRACKET AND SCREWS
 (SUPPLIED W/SINK)
 SEAL
 (A/R)

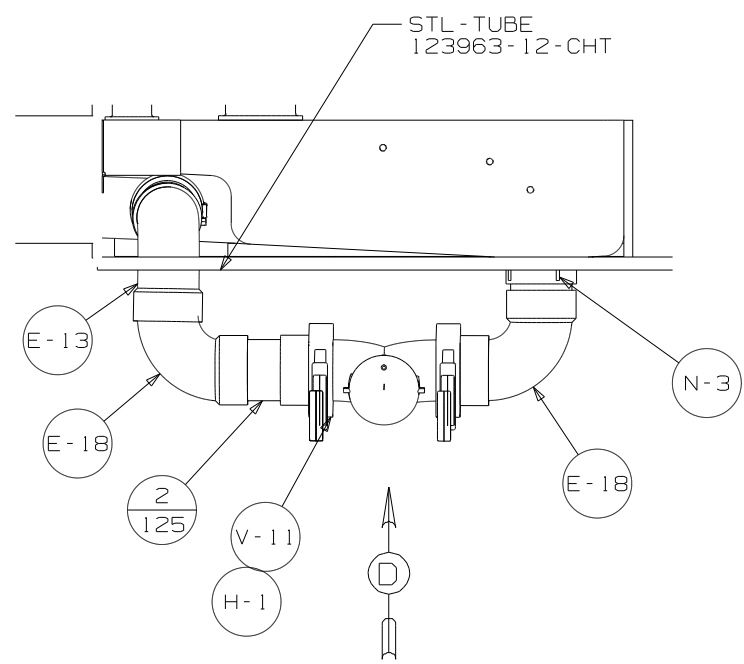
SHOWER INSTL-ENCLOSURE
 166788-06-000
 SEALER
 69640-01-000
 WASHER-RUBBER
 127440-02-CHT
 TAILPIECE
 11069-06-000
 NUT
 130403-01-000
 STRAINER
 66440-01-000

TOILET
 147421-06-CHT
 SCREW
 87721-01-000 (6)

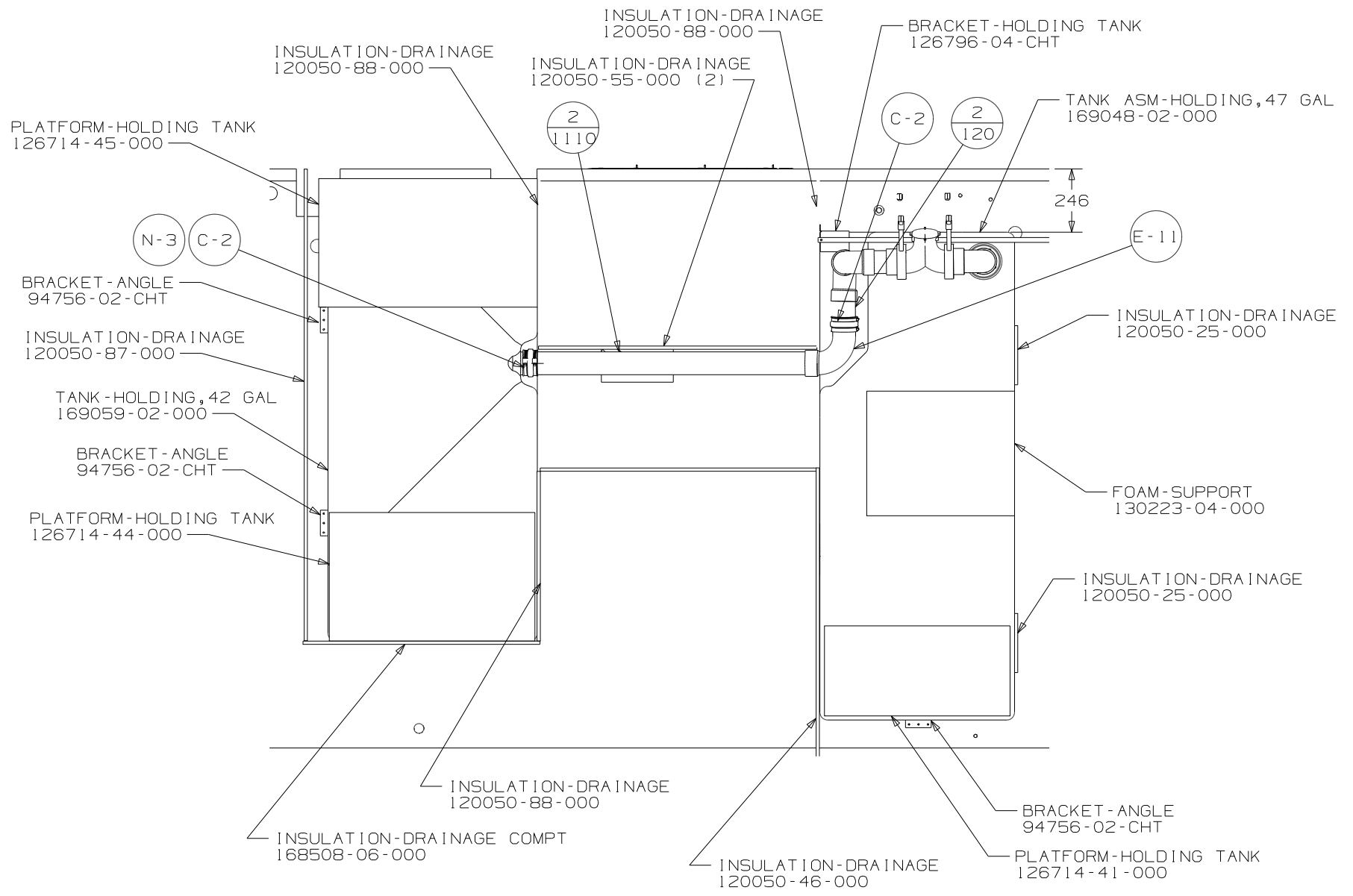
ADAPTER-DUCT
 143289-01-000 (F-3)

VIEW B

FIRST USED	09 D37L	
TITLE	DO NOT SCALE DRAWING	
	DRAINAGE SYSTEM INSTL	
SHEET 2	PART NO 168986	REV

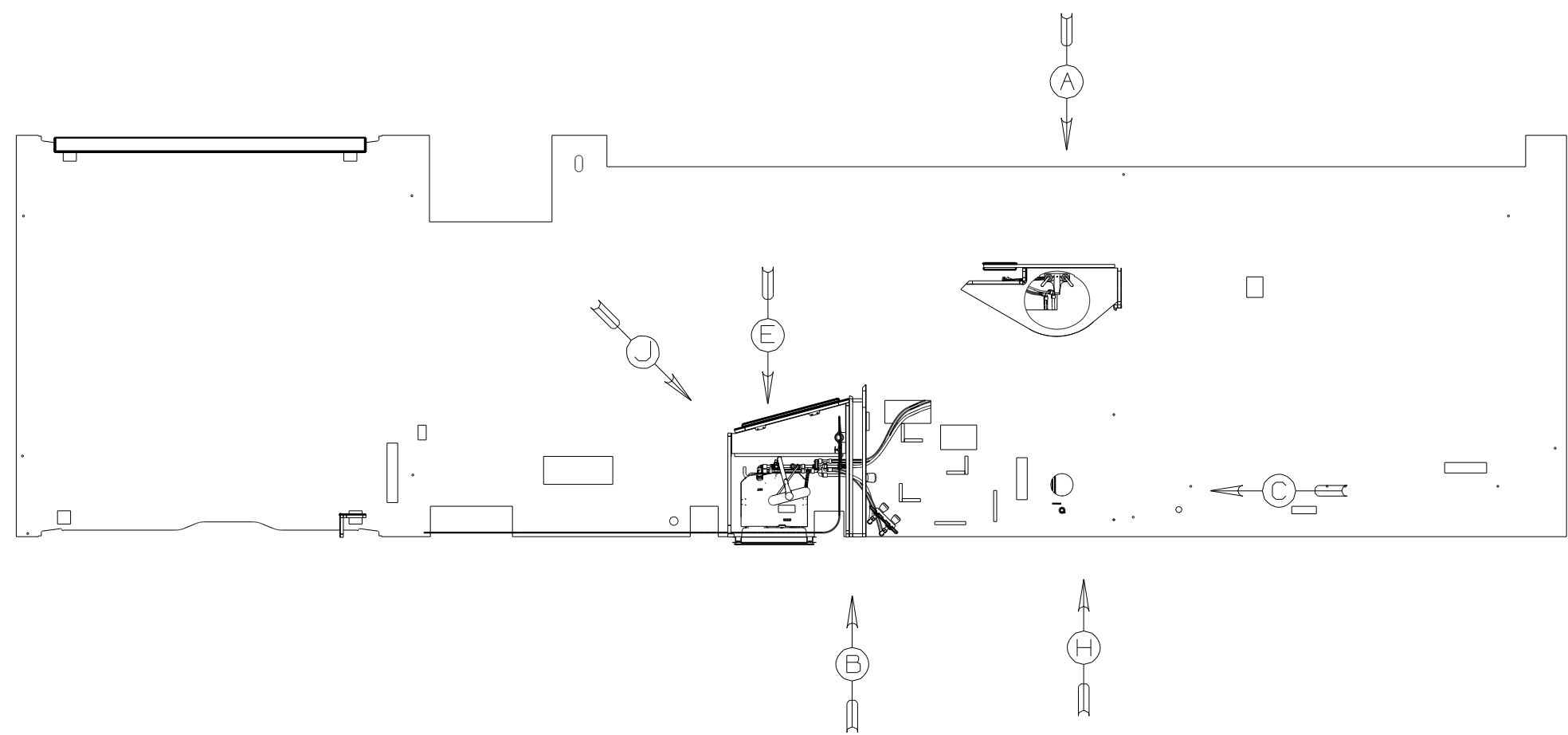


VIEW C



VIEW D

FIRST USED	09 D37L		
TITLE	DO NOT SCALE DRAWING		
	DRAINAGE SYSTEM INSTL		
SHEET 3	PART NO	168986	REV



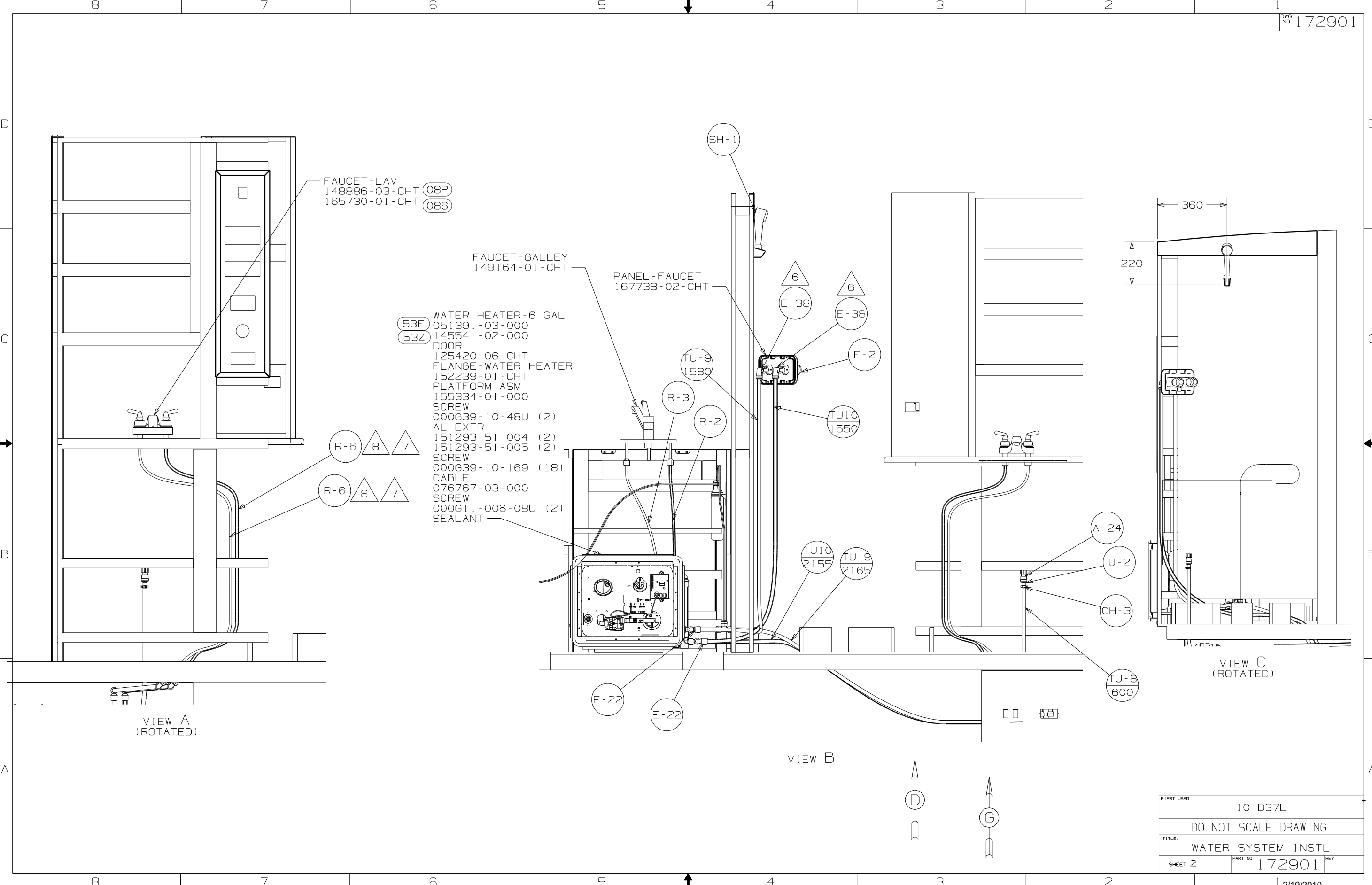
- (145) REFR-EXTRA CAP W/ICEMAKER
- (08P) INTERIOR UPGRADE - WITHOUT
- (086) INTERIOR UPGRADE PACKAGE
- (53F) WATER HEATER-ELEC IGNITION
- (64R) EXTERIOR WASH STATION
- (IJ4) EXT WASH STATION-WITHOUT
- (53Z) WTR HTR-6GAL/110/LP/MTR/AUTO

- 9 ADD TEFLON TAPE 010405-03-000.
 - 8 LABEL HOT AND COLD SUPPLY TUBES.
 - 7 TAPE FITTING TO TUBE BEFORE CABINET SET TO PREVENT FITTING FROM MOVING.
 - 6 ADD TEFLON TAPE 010405-01-000.
 - 5 ADD TEFLON TAPE 010405-02-000.
 - 4 ADD PIPE WRAP (LADDER SCRAP) INSULATION HERE.
3. ALL TUBING TO BE SECURED AT 1200 INTERVALS MAXIMUM WITH CLAMP 010495-01-000 AND SCREW 000G67-10-12B OR EQUIVALENT..
 2. TUBING TO BE INSTALLED WITH SUFFICIENT SLOPE TO PROVIDE DRAINAGE TO NEAREST VALVE.
 1. PLASTIC FITTINGS TO BE SEALED WITH SEALANT 084456-01-000.

NOTES:

(X-X)
FOR
WATER
CALLOUTS
SEE DWG NO
116230-01-000

WINNEBAGO		COPYRIGHT 2010 WINNEBAGO INDUSTRIES, INC.	
DFTR	ORIG. DATE	ALL DIMENSIONS ARE IN MILLIMETERS	
CHKR		FIRST USED	
P.E.		10 D37L	
M.E.		UNSPECIFIED TOLERANCES ARE:	
DSNR		WHOLE DIM (X.X) : 3	
		ONE-PLACE (X.X.X) :	
		TWO-PLACE (X.X.XX) :	
		ANGLE :	
		THIRD ANGLE PROJECTION	
DO NOT SCALE DRAWING		REFER TO ES0018 FOR FASTENER TIGHTENING GUIDELINES	
TITLE: WATER SYSTEM INSTL			
SHEET 1 OF 4	PART NO	172901	REV
REF:	1 2/19/2010		



FAUCET-LAV
148886-03-CHT (08P)
165730-01-CHT (086)

FAUCET-GALLEY
149164-01-CHT

PANEL-FAUCET
167738-02-CHT

- (53F) WATER HEATER-6 GAL 051391-03-000
- (53Z) 145541-02-000
- DOOR 125420-06-CHT
- FLANGE-WATER HEATER 152239-01-CHT
- PLATFORM ASM 155334-01-000
- SCREW 000G39-10-48U (2)
- AL EXTR 151293-51-004 (2)
- 151293-51-005 (2)
- SCREW 000G39-10-169 (18)
- CABLE 076767-03-000
- SCREW 000G11-006-08U (2)
- SEALANT

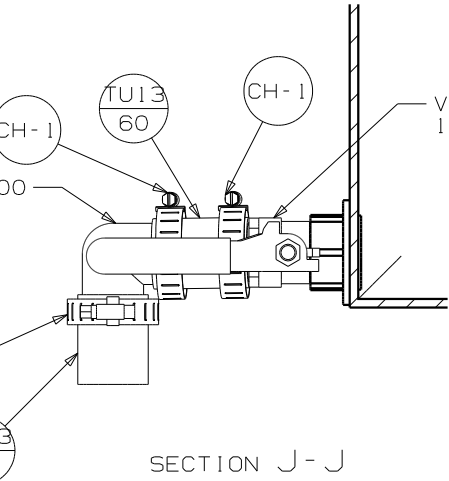
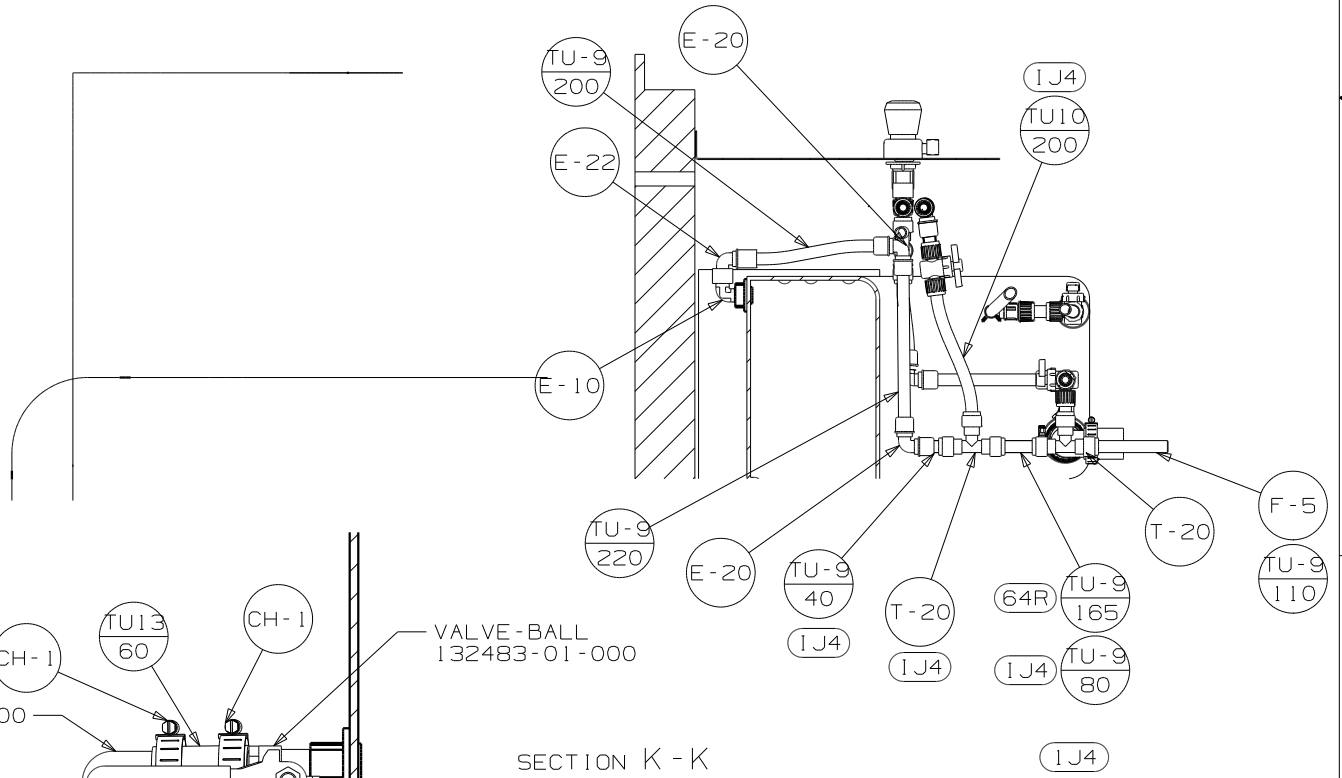
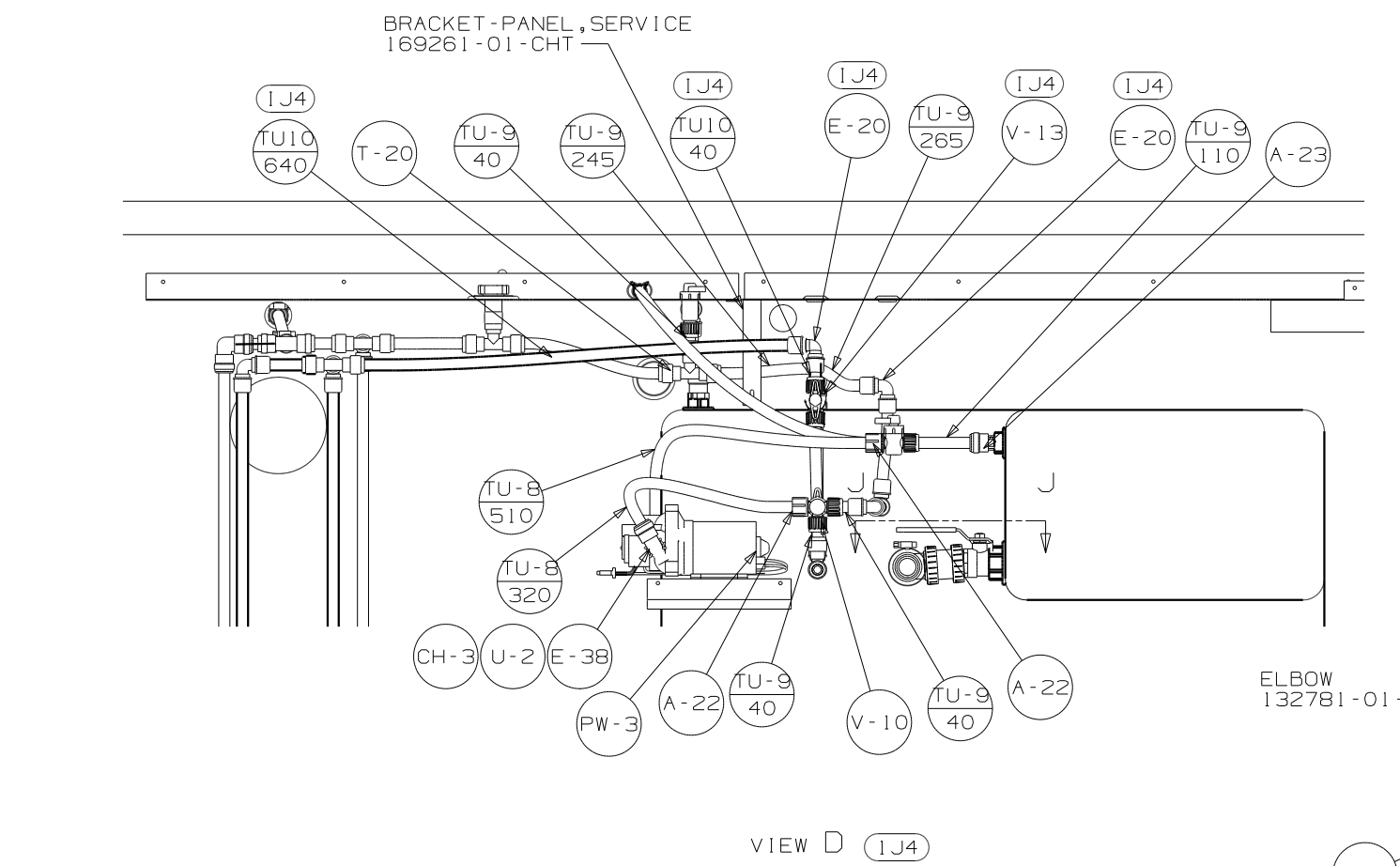
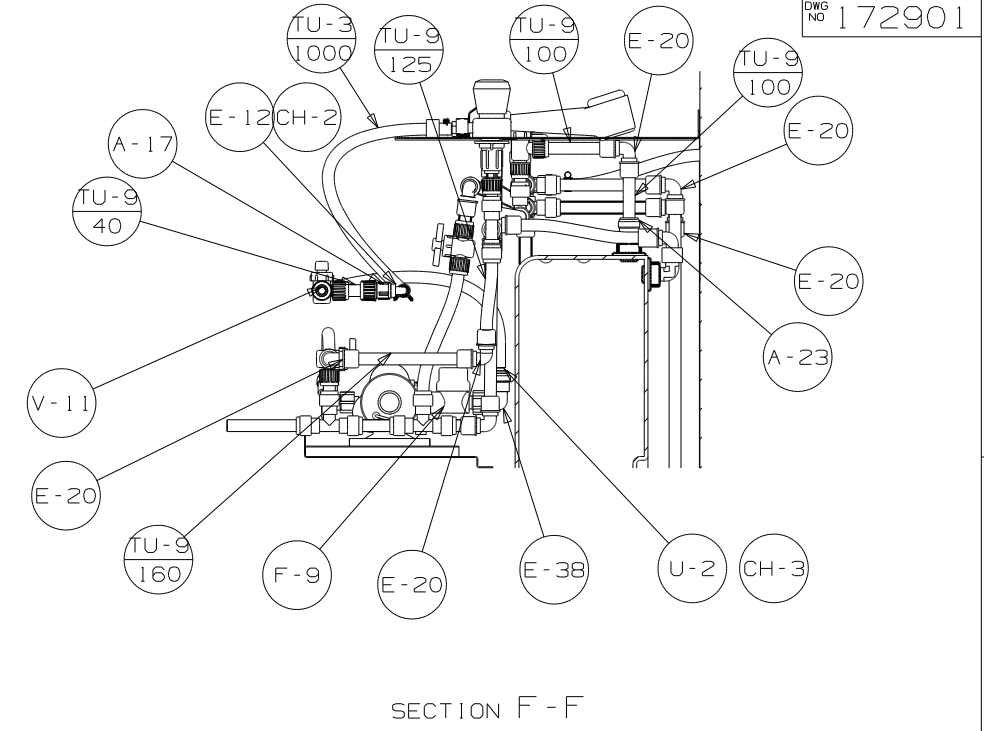
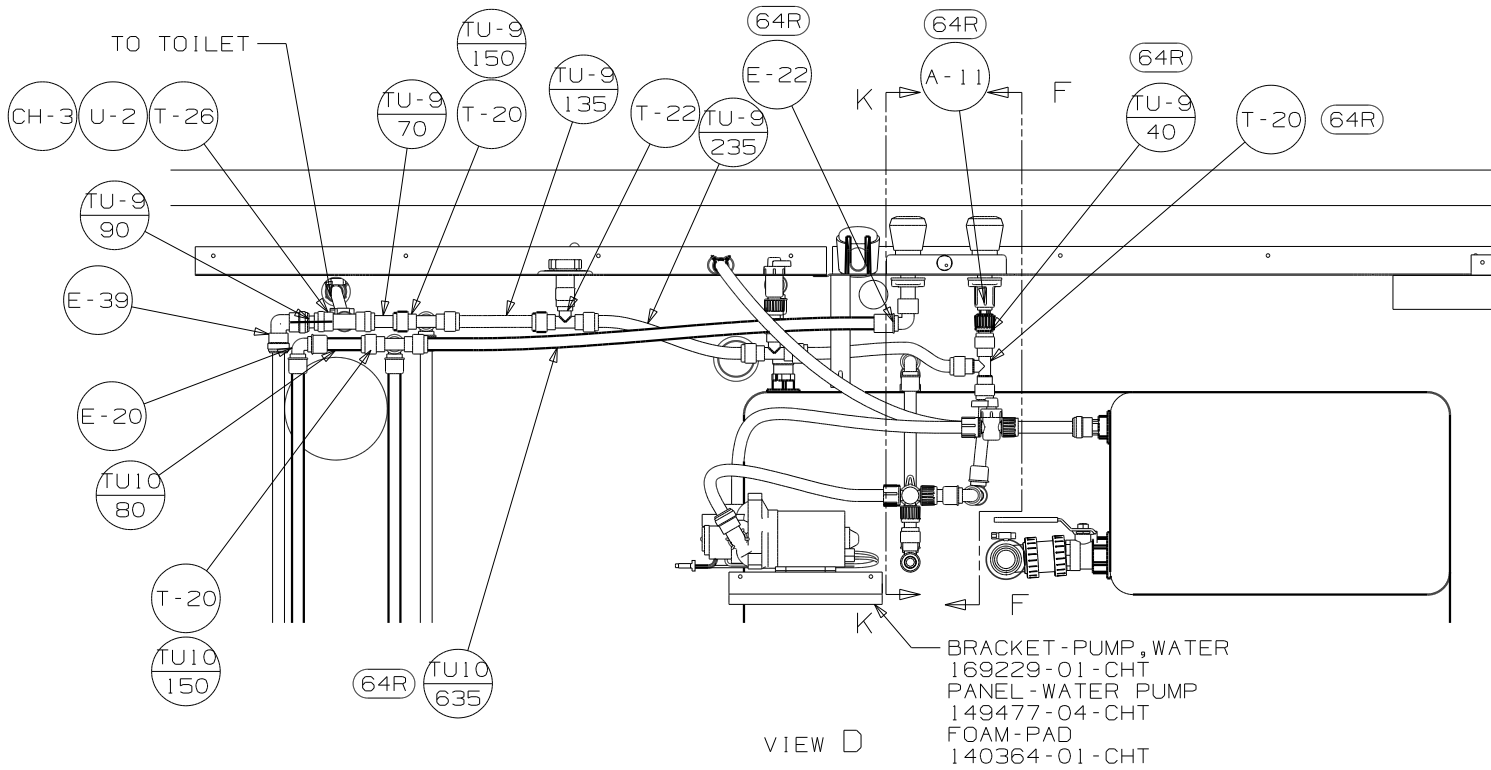
VIEW A (ROTATED)

VIEW B

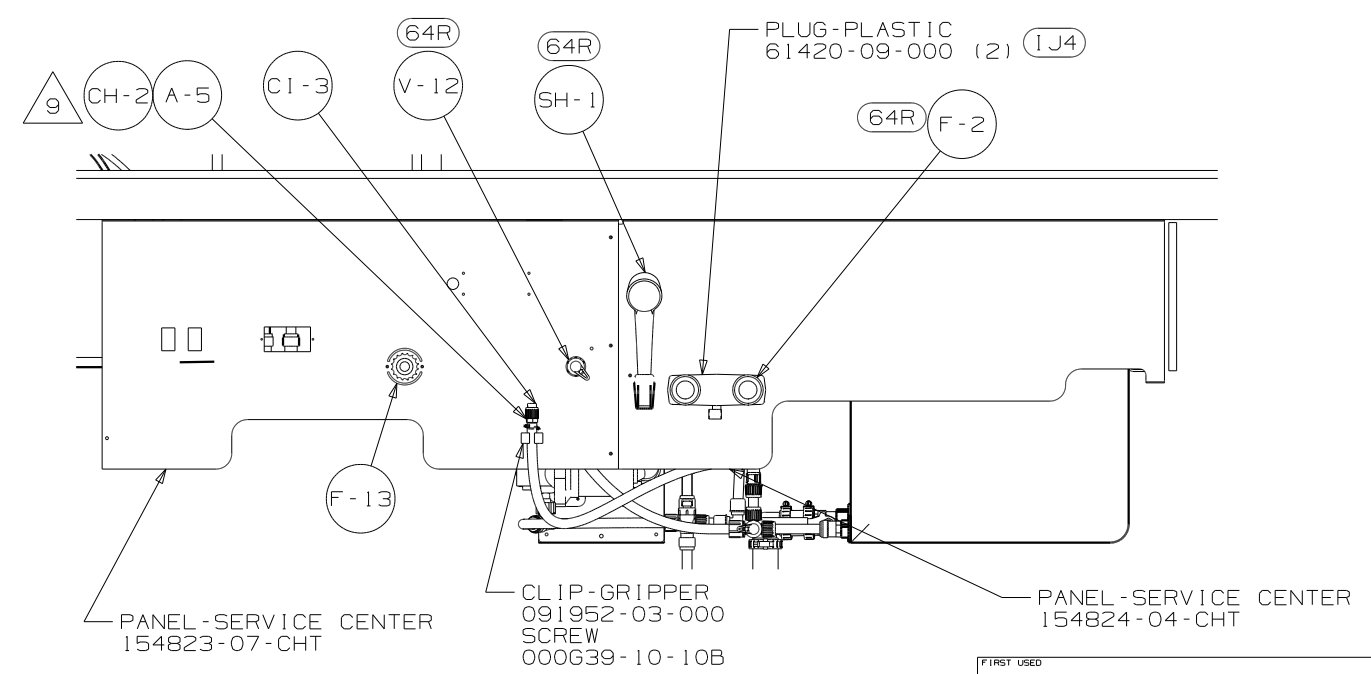
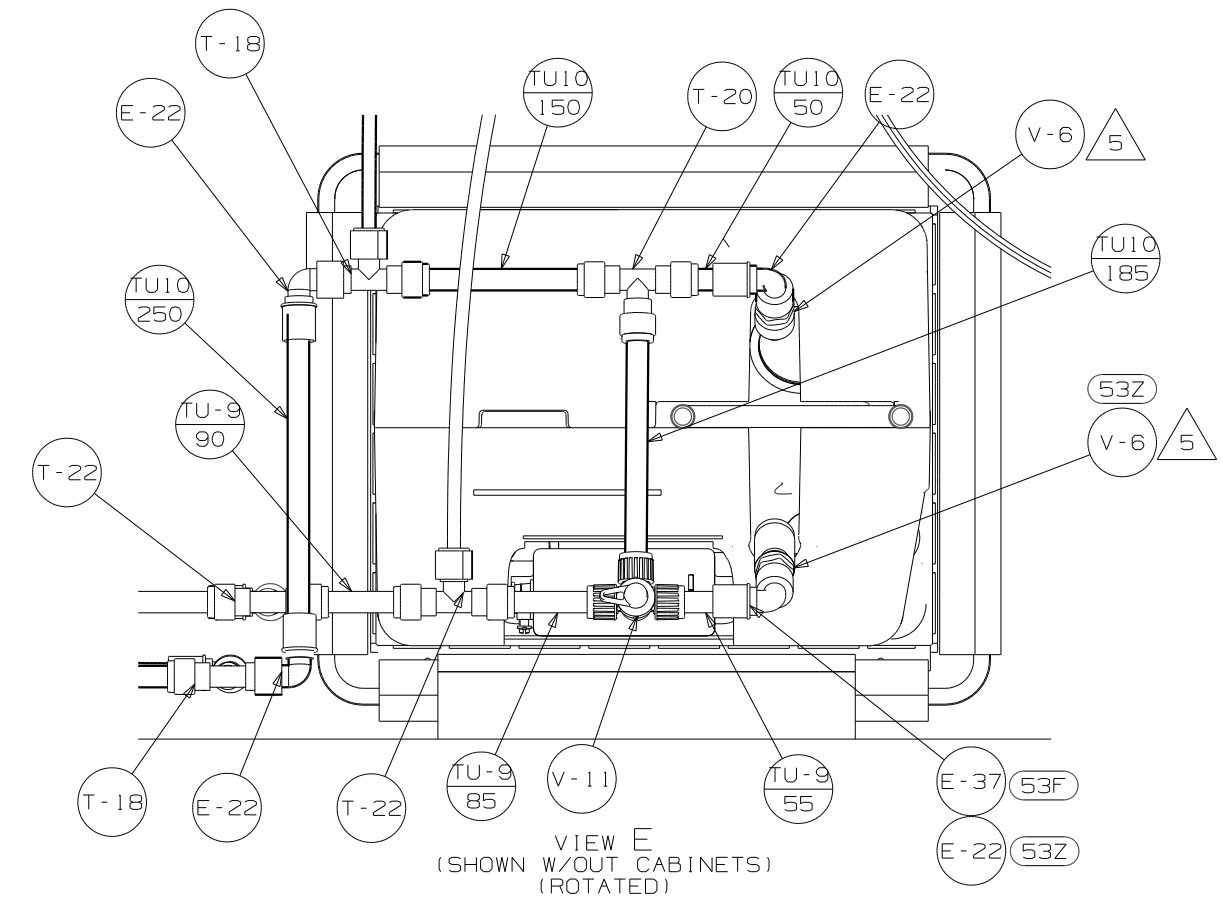
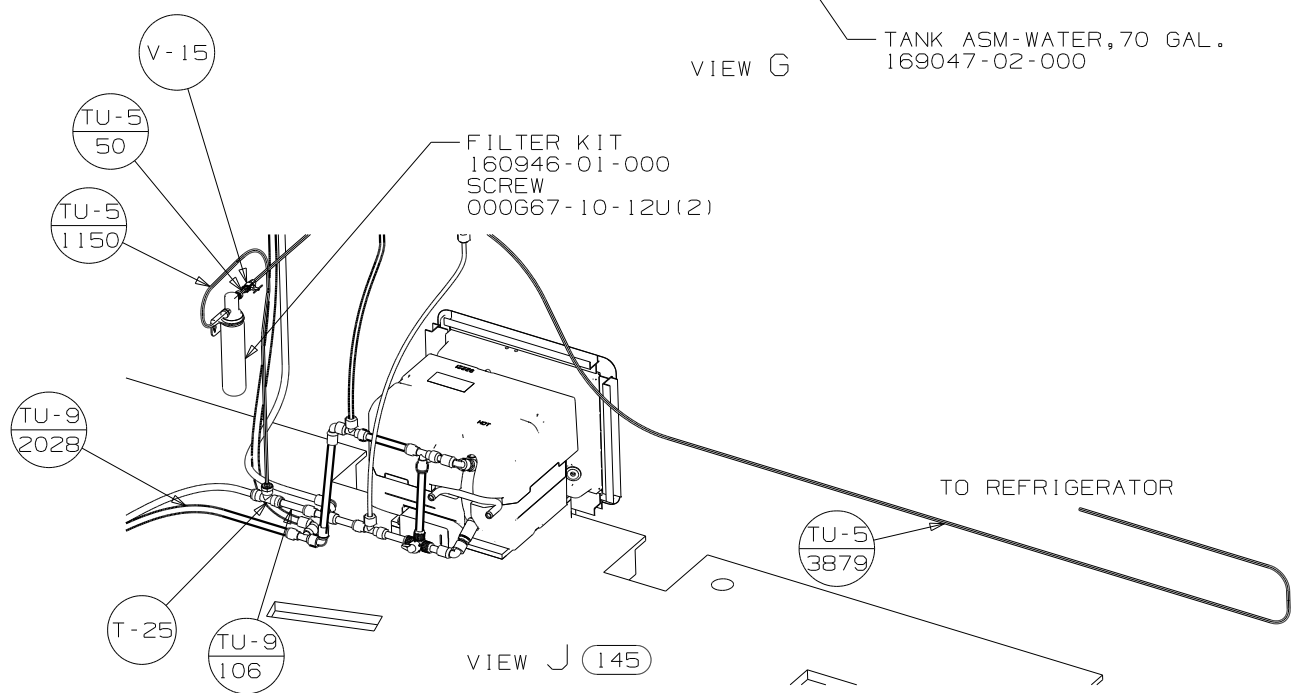
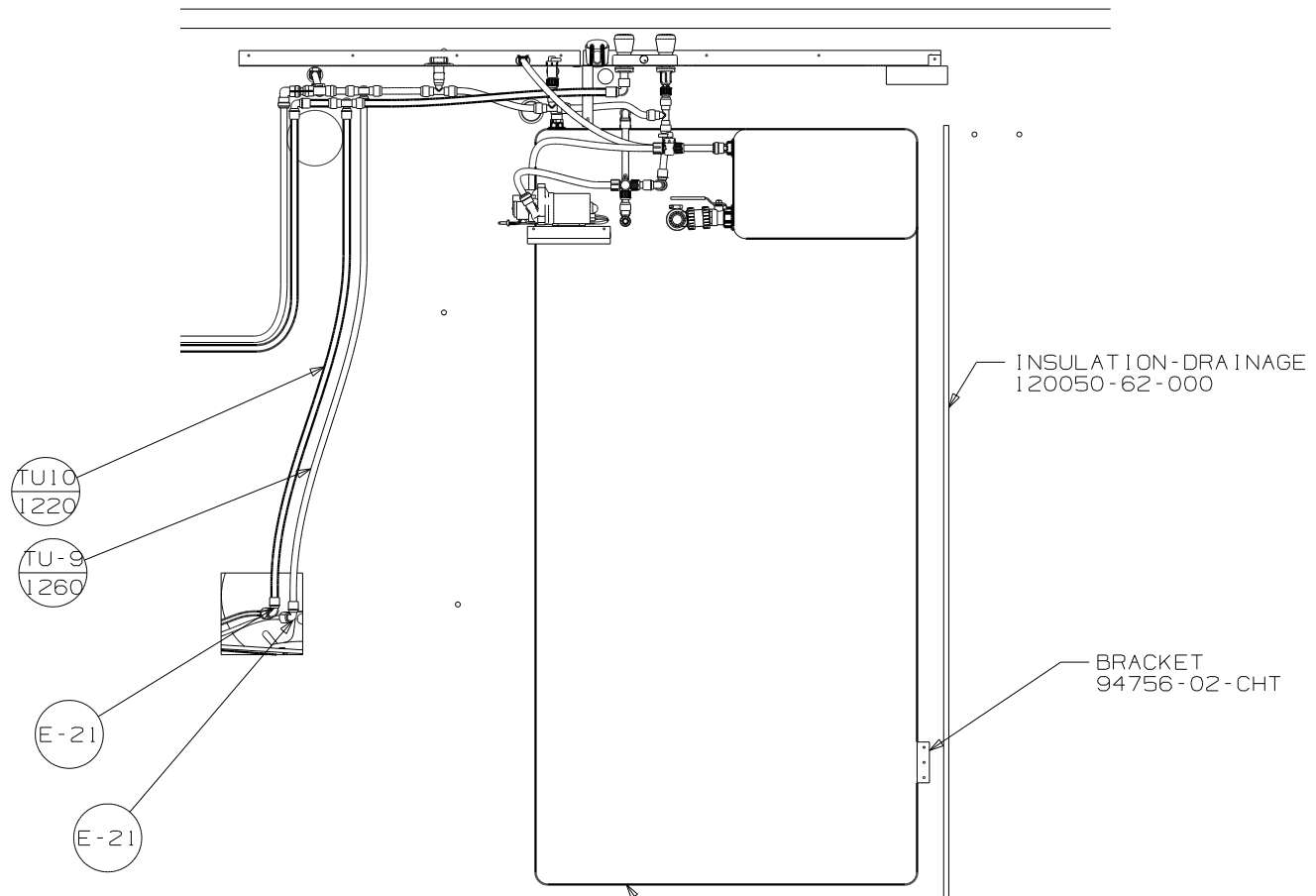
VIEW C (ROTATED)

360
220

FIRST USED	10 D37L
TITLE	DO NOT SCALE DRAWING
TITLE	WATER SYSTEM INSTL
SHEET 2	PART NO 172901 REV



FIRST USED	10 D37L
TITLE	DO NOT SCALE DRAWING
TITLE	WATER SYSTEM INSTL
SHEET 3	PART NO 172901 REV



FIRST USED	10 D37L
TITLE	DO NOT SCALE DRAWING
	WATER SYSTEM INSTL
SHEET 4	PART NO 172901 REV