

FRONT OF COACH

- 10. USE SMOOTH PLUMBERS PUTTY 167459-01-000 TO SEAL STRAINER (0.2 PER STRAINER).
- 9. APPLY PRIMER 126427-02-000 AND CEMENT 126427-01-000 BETWEEN ELBOW AND FLEX PIPE.
- 8. SECURE DRAINAGE PIPES TO CABINET USING WIRE TIE 108046-02-000, AND SCREW 000G67-10-12B AT INTERVALS OF NOT MORE THAN 4 FEET APART.
- 7. SECURE VENT PIPE TO FLOOR WITH CLAMP 062401-02-000 (2), SCREW G67-10-12B (2), BRACKET 136878-01-CHT (2).
- 6. VENT PIPE MUST PROJECT 51 MIN AND 64 MAX ABOVE ROOF FOR PROPER FIT AND FUNCTION.
- 5. SEAL AROUND SHOWER WITH SILICONE.
- 4. ATTACH TANK BRACKET TO RISER.
- 3. ALL PIPE AND FITTINGS TO BE ASSEMBLED WITH SOLVENT 004020-01-000 (USA), 004020-02-000 (CAN)
- 2. SLOPE OF TRAP ARM MUST BE 6 PER 305 mm.
- 1. SLOPE OF HORIZONTAL PIPING TO BE MINIMUM OF 3 PER 305 mm.

NOTES:

- (B1) CODES/STANDARDS-USA
- (265) CODES/STANDARDS-CSA/CMVSS

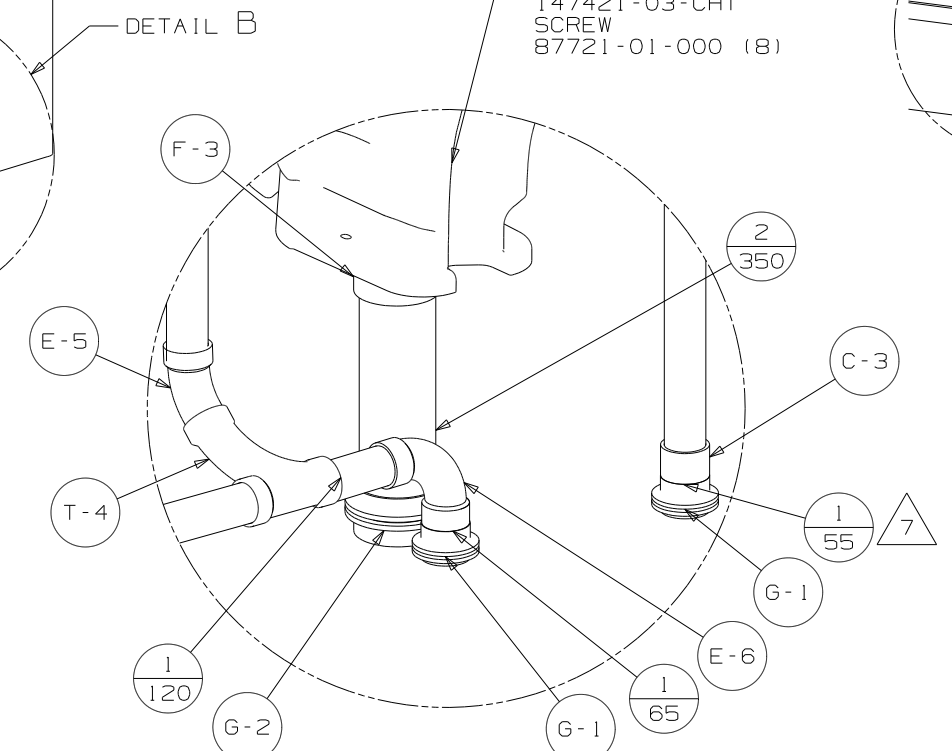
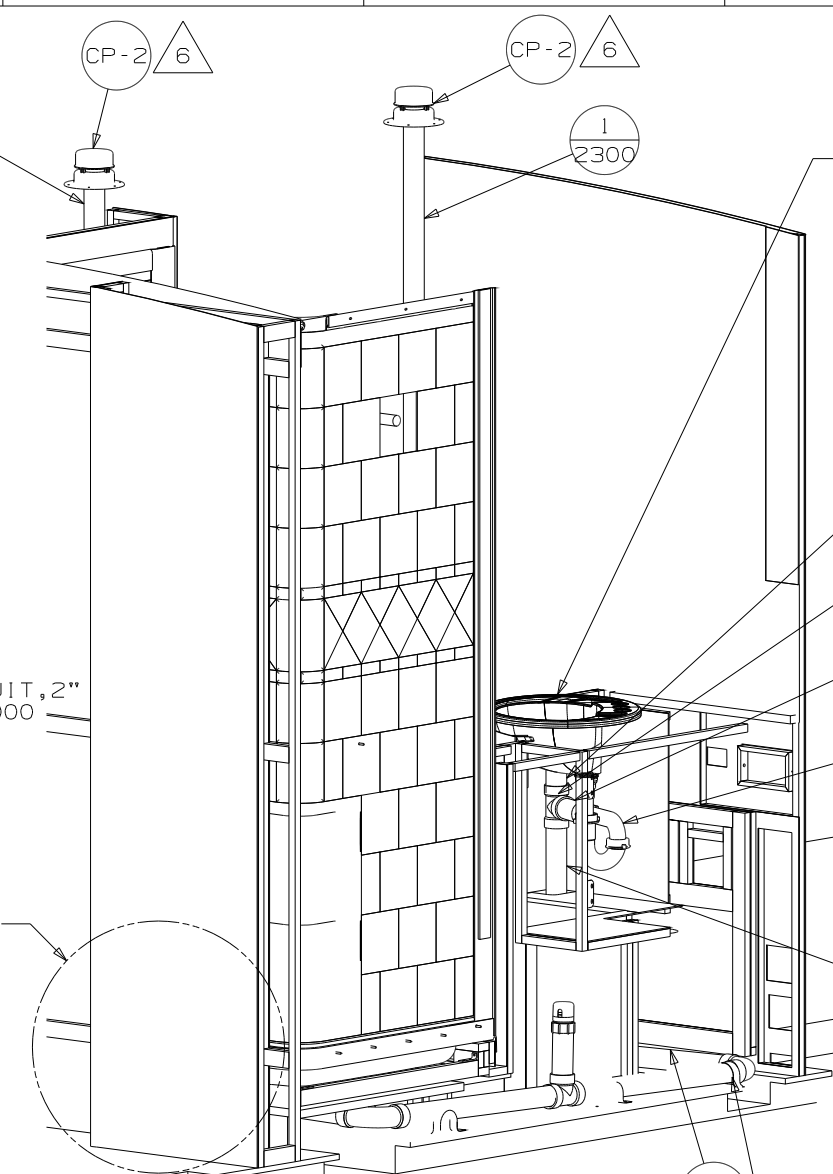
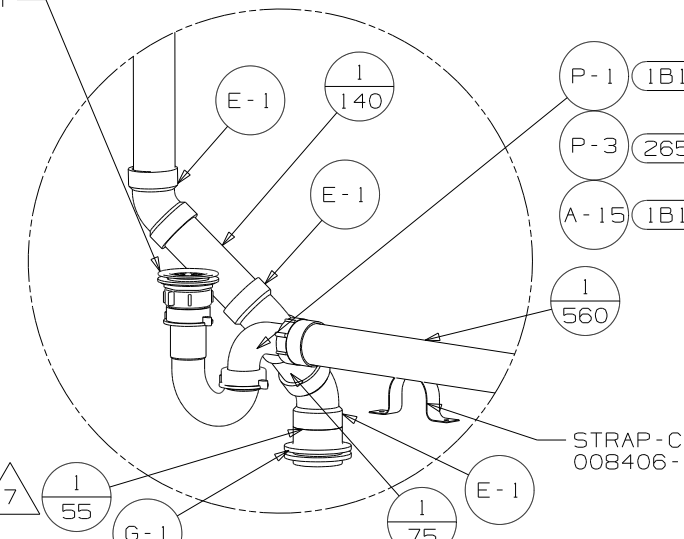
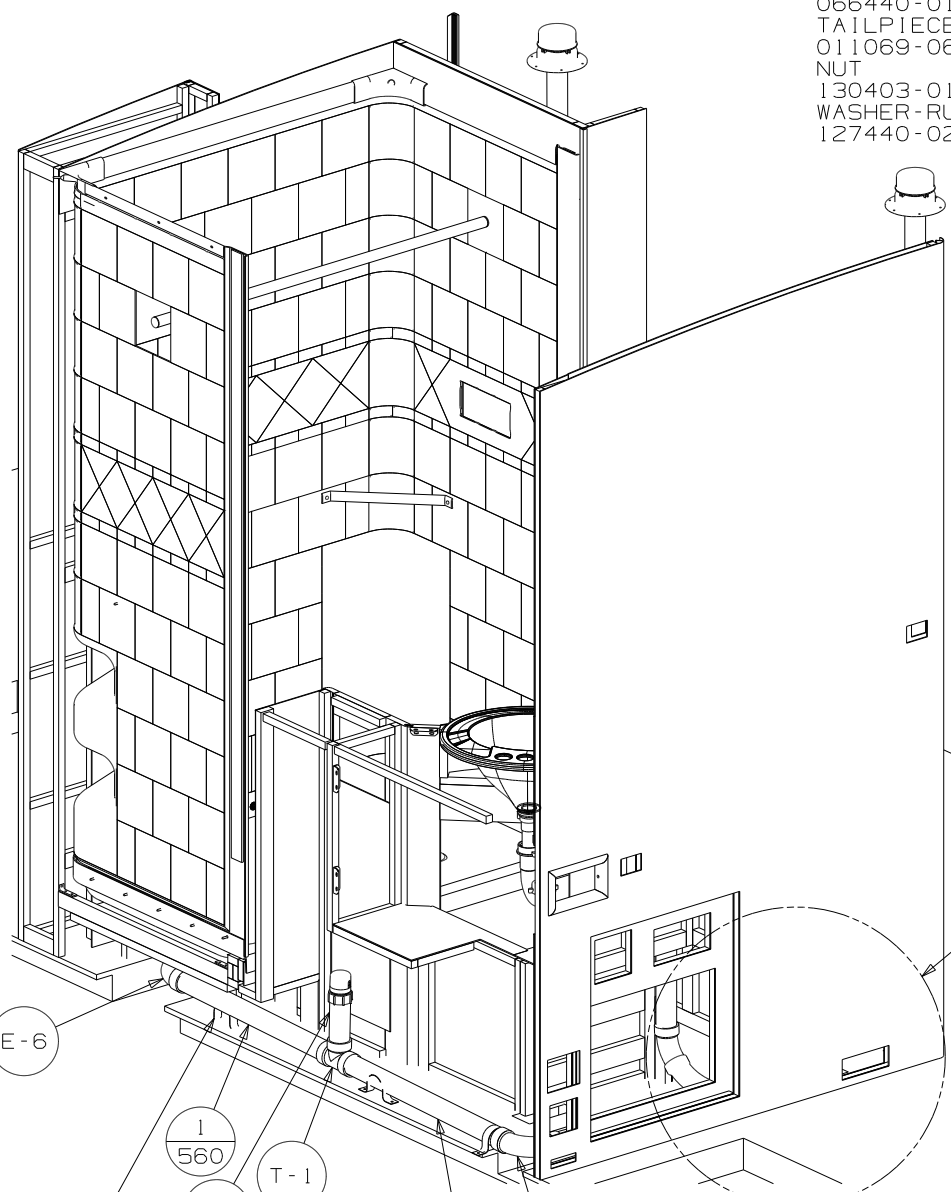
<b>WINNEBAGO</b>		COPYRIGHT 2009 WINNEBAGO INDUSTRIES, INC.	
DFT	ORIG. DATE	ALL DIMENSIONS ARE IN MILLIMETERS	
CHKR			
P.E.			
M.E.	FIRST USED		
DSNR		10 D33C	
UNSPECIFIED TOLERANCES ARE:		MATERIAL:	
WHOLE DIM (X)	: 3		
ONE-PLACE (X.X)	: 1.5		
TWO-PLACE (X.XX)	: 0.50		
ANGLE	: 1°		
THIRD ANGLE PROJECTION			
DO NOT SCALE DRAWING			
TITLE: DRAINAGE SYSTEM INSTL			
SHEET 1 OF 3	PART NO	171687	REV
REF:	1 12/2/2009		

(X-X)  
FOR  
DRAINAGE  
CALLOUTS  
SEE DWG NO  
116229-01-000

SHOWER INSTL  
 164684-03-000  
 STRAINER  
 066440-01-000  
 TAILPIECE  
 011069-06-000  
 NUT  
 130403-01-000  
 WASHER-RUBBER  
 127440-02-CHT

SINK-LAV  
 164615-01-CHT  
 SCREW  
 G37-08-10U (6)  
 SEAL  
 (A/R)  
 STRAINER ASM  
 106116-01-CHT  
 GASKET  
 106116-02-CHT

TOILET  
 147421-03-CHT  
 SCREW  
 87721-01-000 (8)



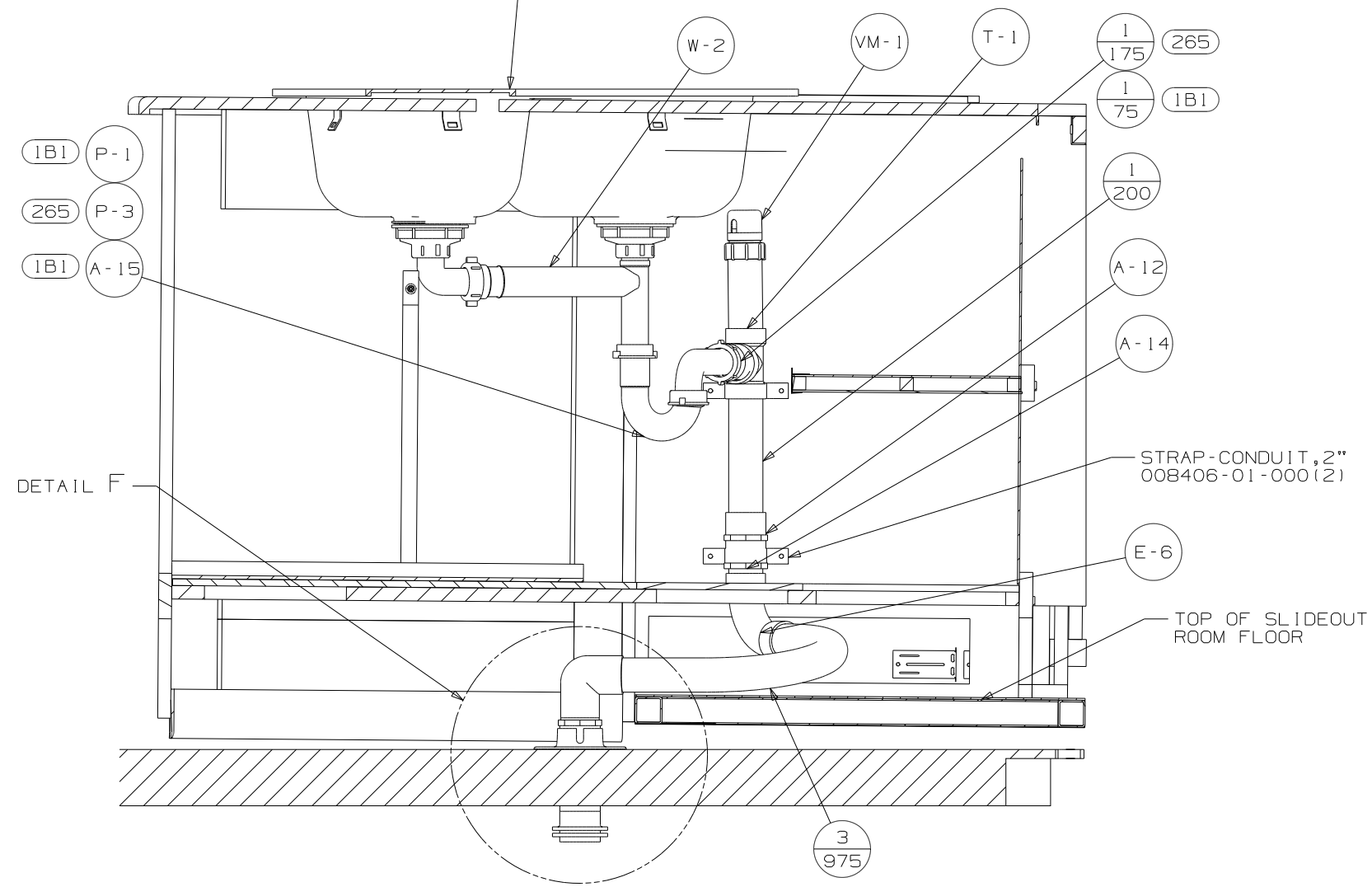
VIEW A

VIEW C

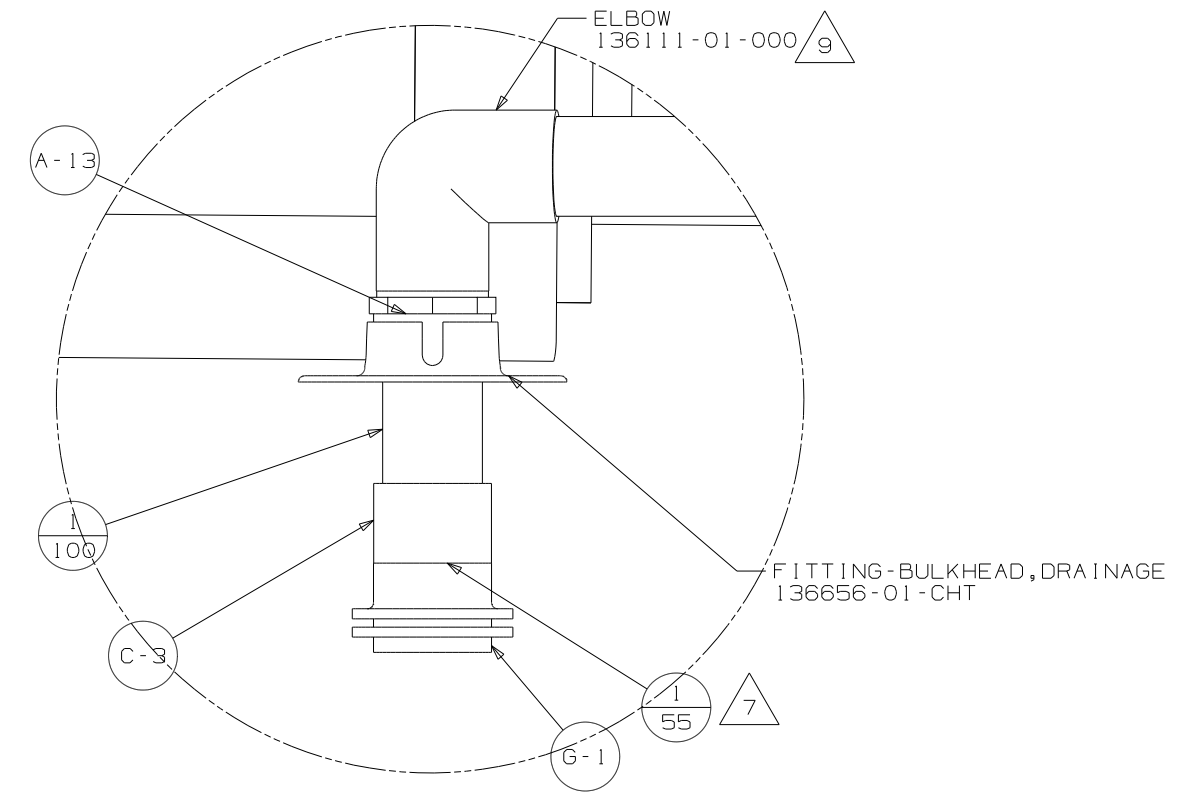
DETAIL B (SHOWN W/OUT FLOOR AND CABINETS)

FIRST USED	10 D33C
DO NOT SCALE DRAWING	
TITLE:	DRAINAGE SYSTEM INSTL
SHEET 2	PART NO 171687 REV

SINK  
163942-02-CHT  
STRAINER  
092303-01-000 (2)  $\triangle 10$   
BRACKET  
140002-01-CHT (8)  
SCREW  
142261-02-CHT (20)  
SEAL (A/R)

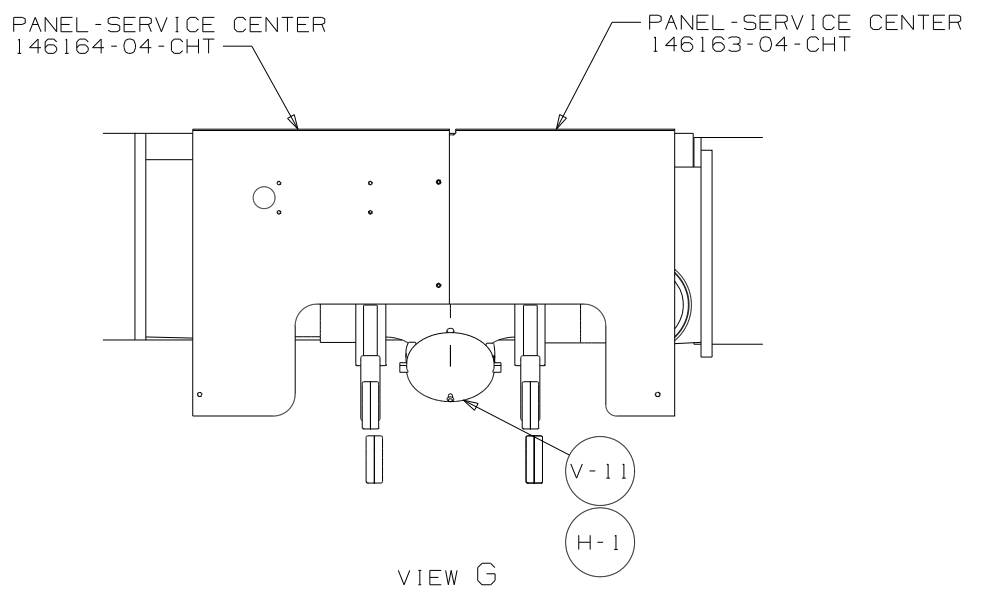
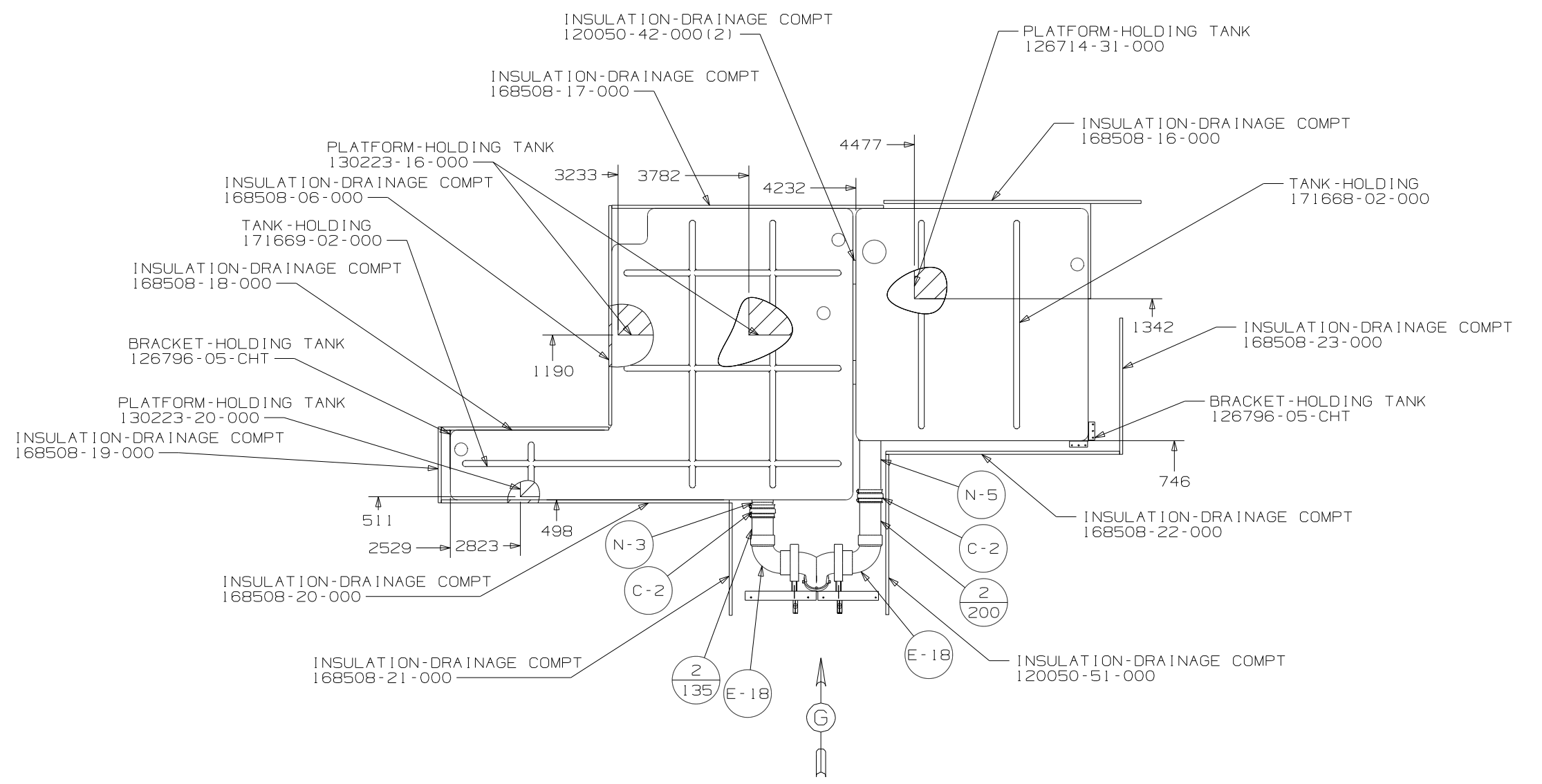
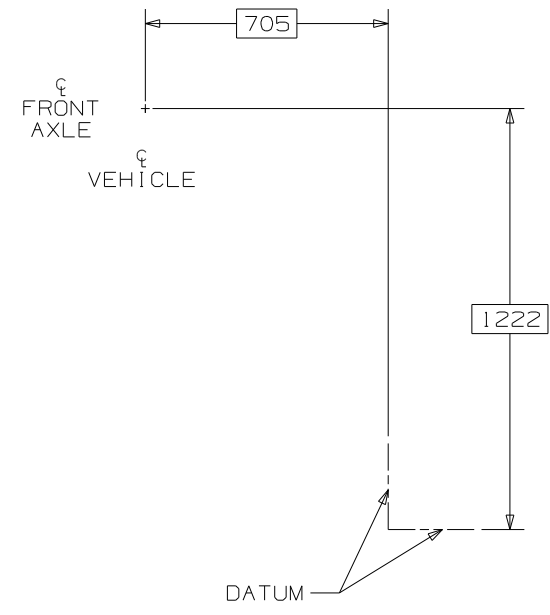


SECTION E-E  
(ROTATED)

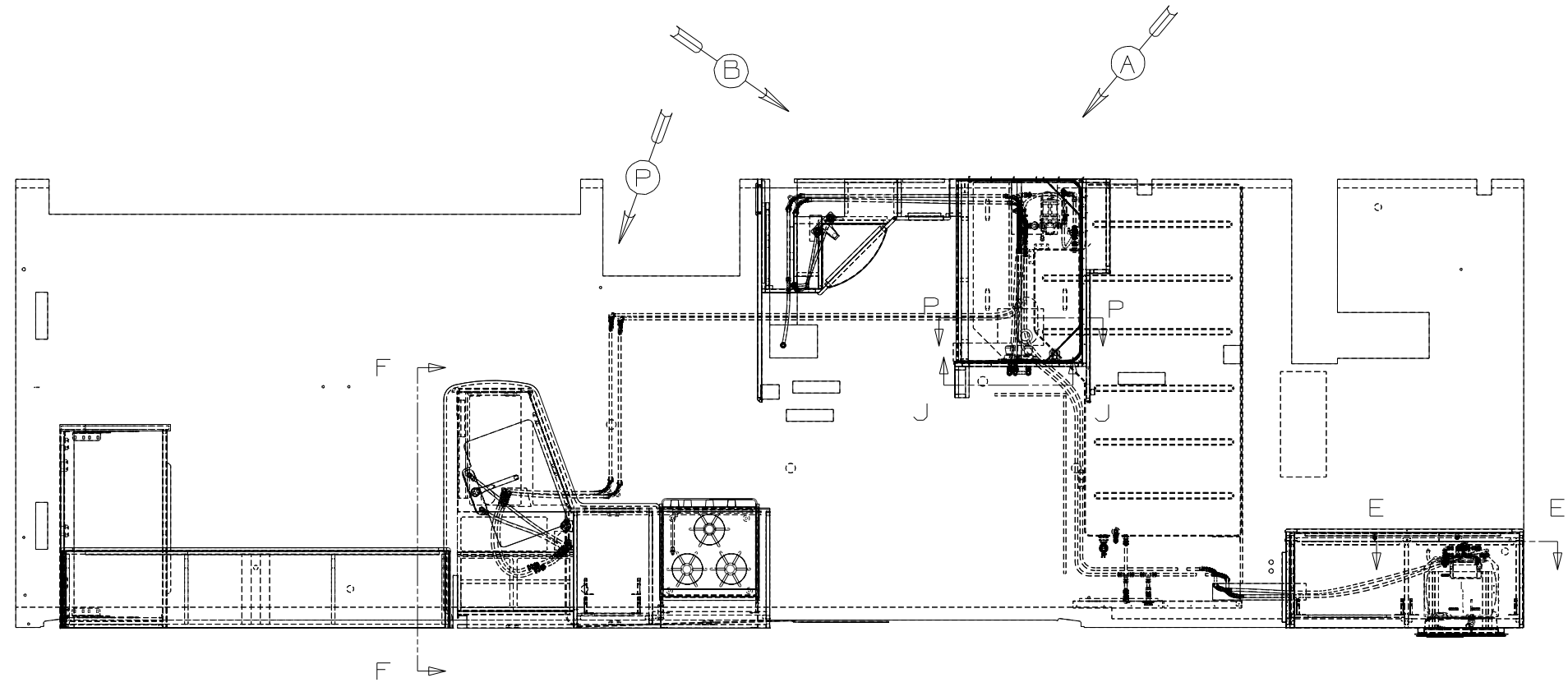


DETAIL F  
(SHOWN W/OUT FLOOR)

FIRST USED	10 D33C		
TITLE	DO NOT SCALE DRAWING		
	DRAINAGE SYSTEM INSTL		
SHEET 3	PART NO	171687	REV



FIRST USED	10 D33C
TITLE	DO NOT SCALE DRAWING
SHEET 4	PART NO 171687 REV
12/2/2009	



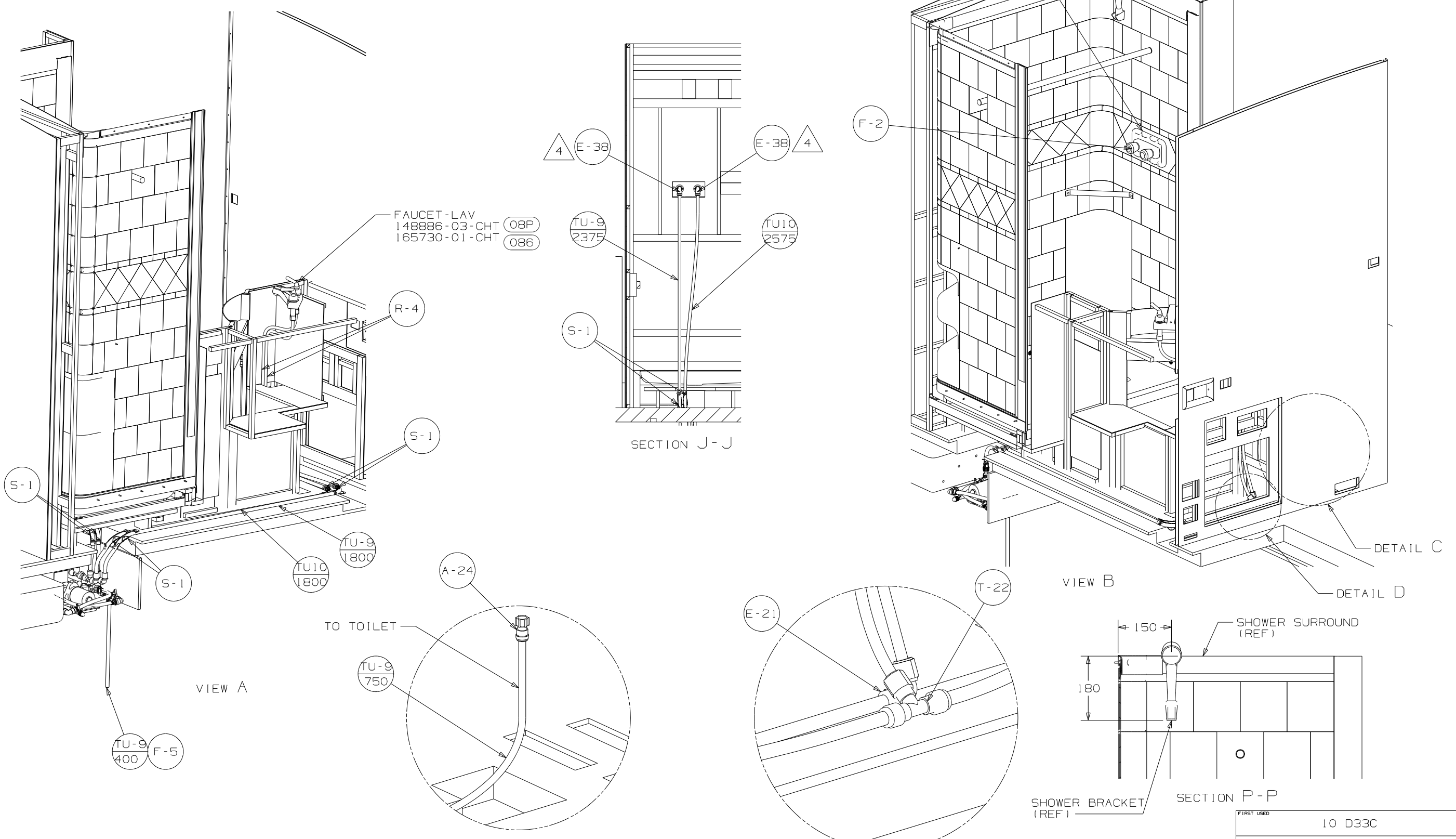
- (144) REFRIGERATOR-DOUBLE DOOR
- (64R) EXTERIOR WASH STATION
- (53Z) WTR HTR-6GAL/110/LP/MTR/AUTO
- (53F) WATER HEATER-ELEC. IGNITION
- (145) REFR-EXTRA CAP W/ICEMAKER
- (1J4) EXT WASH STATION - WITHOUT
- (086) INTERIOR UPGRADE PACKAGE
- (08P) INTERIOR UPGRADE - WITHOUT

- △6 USE IN PLACE OF SUPPLIED SCREWS TO ATTACH BRACKET TO WALL.
  - △5 ADD TEFLON TAPE 010405-02-000.
  - △4 ADD TEFLON TAPE 010405-01-000.
3. ALL TUBING TO BE SECURED AT 1200 INTERVALS MAXIMUM WITH CLAMP 010495-01-000 AND SCREW 000667-10-12B OR EQUIVALENT.
  2. TUBING TO BE INSTALLED WITH SUFFICIENT SLOPE TO PROVIDE DRAINAGE TO NEAREST VALVE.
  1. PLASTIC FITTINGS TO BE SEALED WITH SEALANT 084456-01-000.

<b>WINNEBAGO</b>		COPYRIGHT 2010 WINNEBAGO INDUSTRIES, INC.	
DFTR	ORIG. DATE	ALL DIMENSIONS ARE IN MILLIMETERS	
CHKR		FIRST USED	
P.E.		10 D33C	
M.E.		UNSPECIFIED TOLERANCES ARE:	
DSNR		WHOLE DIM (X) : 3	
		ONE-PLACE (X.X) : 1.5	
		TWO-PLACE (X.XX) : 0.50	
		ANGLE : 1°	
THIRD ANGLE PROJECTION		MATERIAL:	
DO NOT SCALE DRAWING		REFER TO ES0018 FOR FASTENER TIGHTENING GUIDELINES	
TITLE: WATER SYSTEM INSTL			
SHEET 1 OF 5	PART NO	171688	REV
REF:	16/4/2010		

FOR  
WATER  
CALLOUTS  
SEE DWG NO  
116230-01-000

NOTES:



SECTION J - J

VIEW B

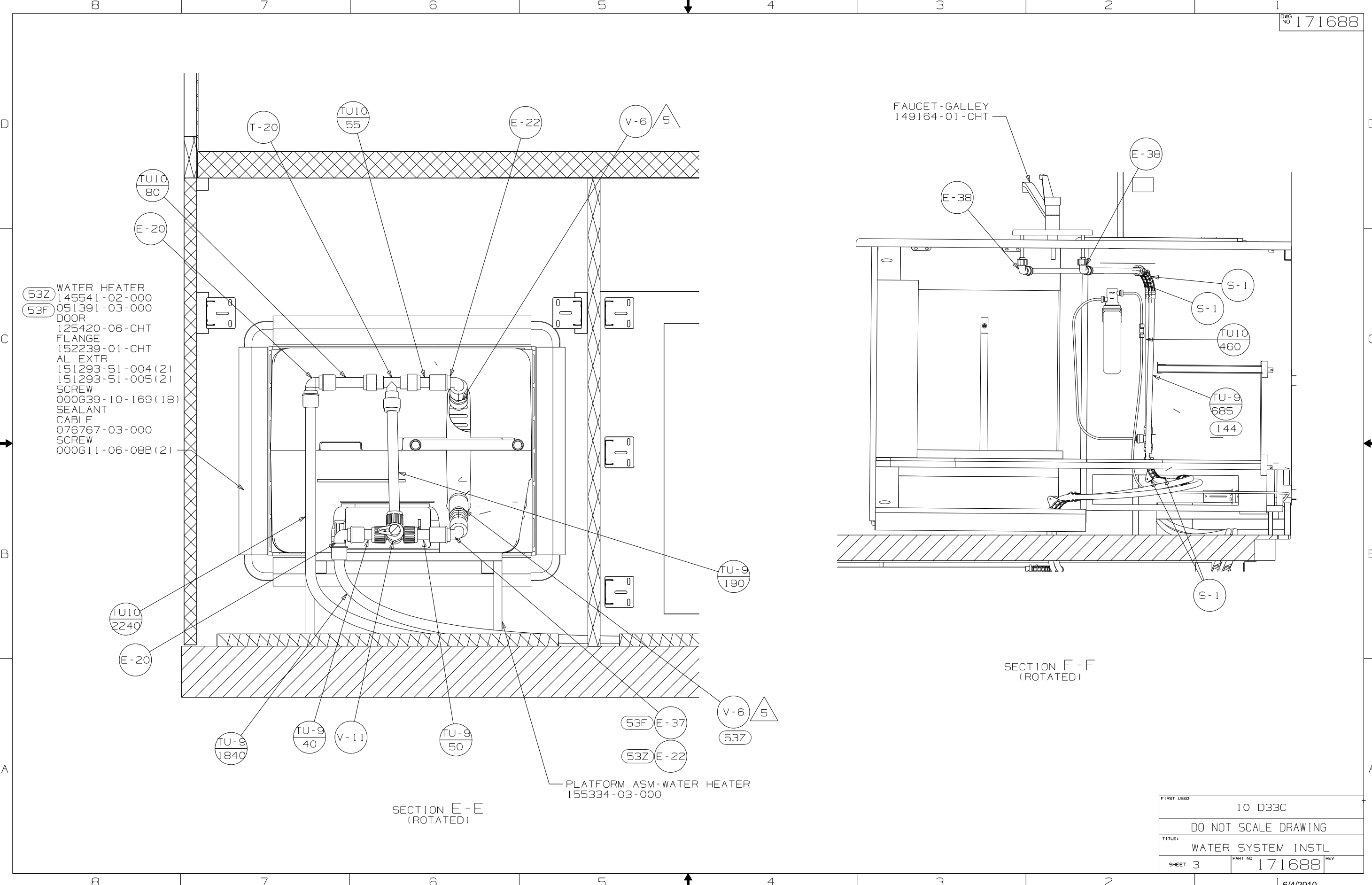
VIEW A

DETAIL C  
(SHOWN W/OUT CABINETS)

DETAIL D  
(SHOWN W/OUT CABINETS)

SECTION P - P

FIRST USED	10 D33C
TITLE	DO NOT SCALE DRAWING
SHEET 2	WATER SYSTEM INSTL
PART NO	171688



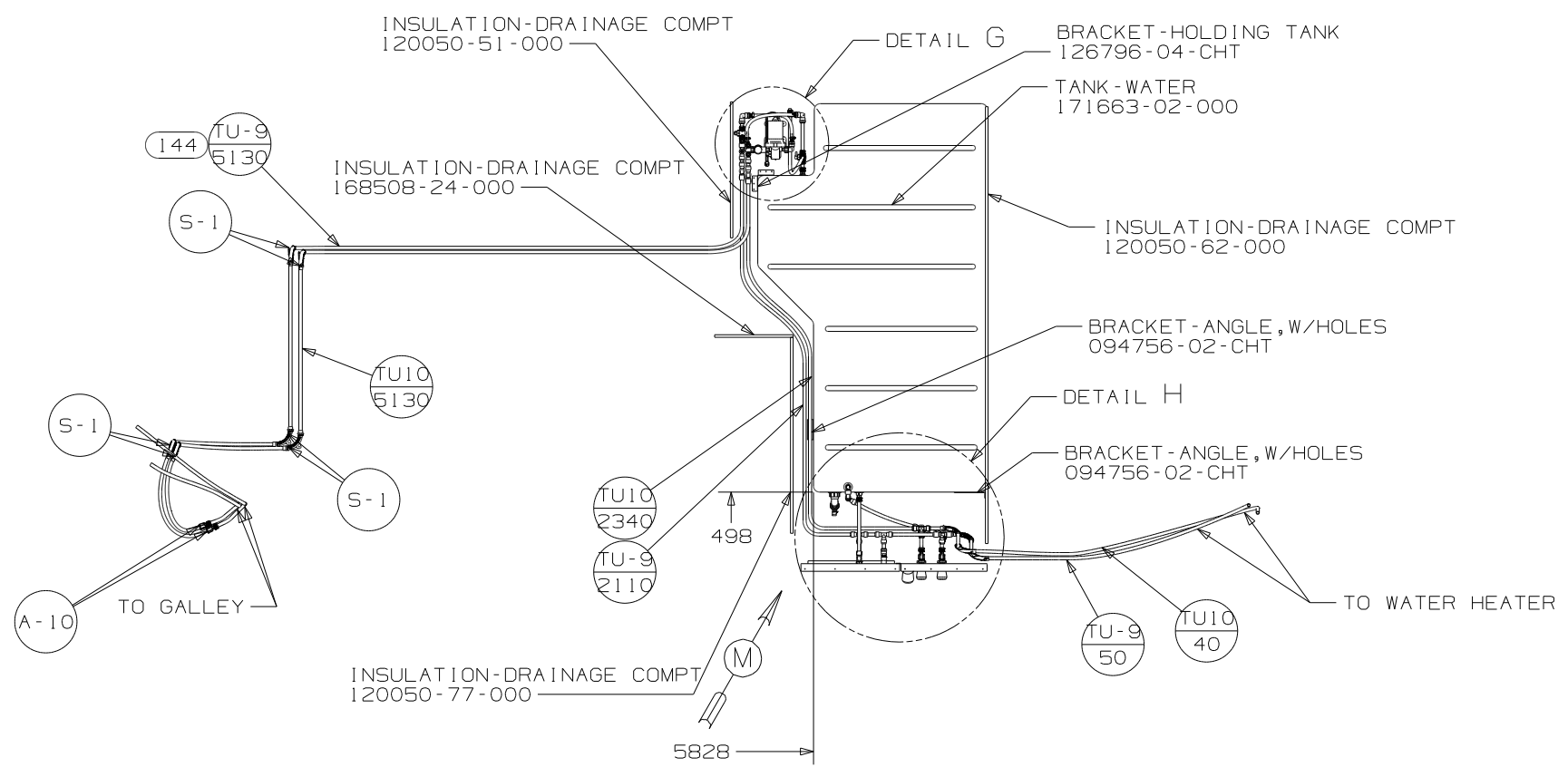
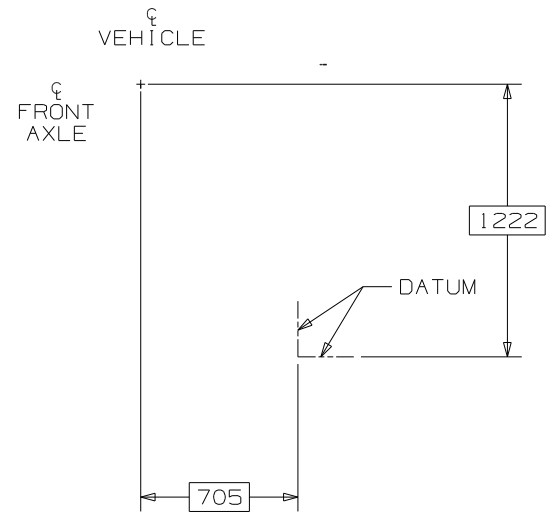
- (53Z) WATER HEATER 145541-02-000
- (53F) 051391-03-000
- DOOR 125420-06-CHT
- FLANGE 152239-01-CHT
- AL EXTR 151293-51-004(2)
- 151293-51-005(2)
- SCREW 000G39-10-169(18)
- SEALANT 076767-03-000
- CABLE 000G11-06-08B(2)

SECTION E-E (ROTATED)

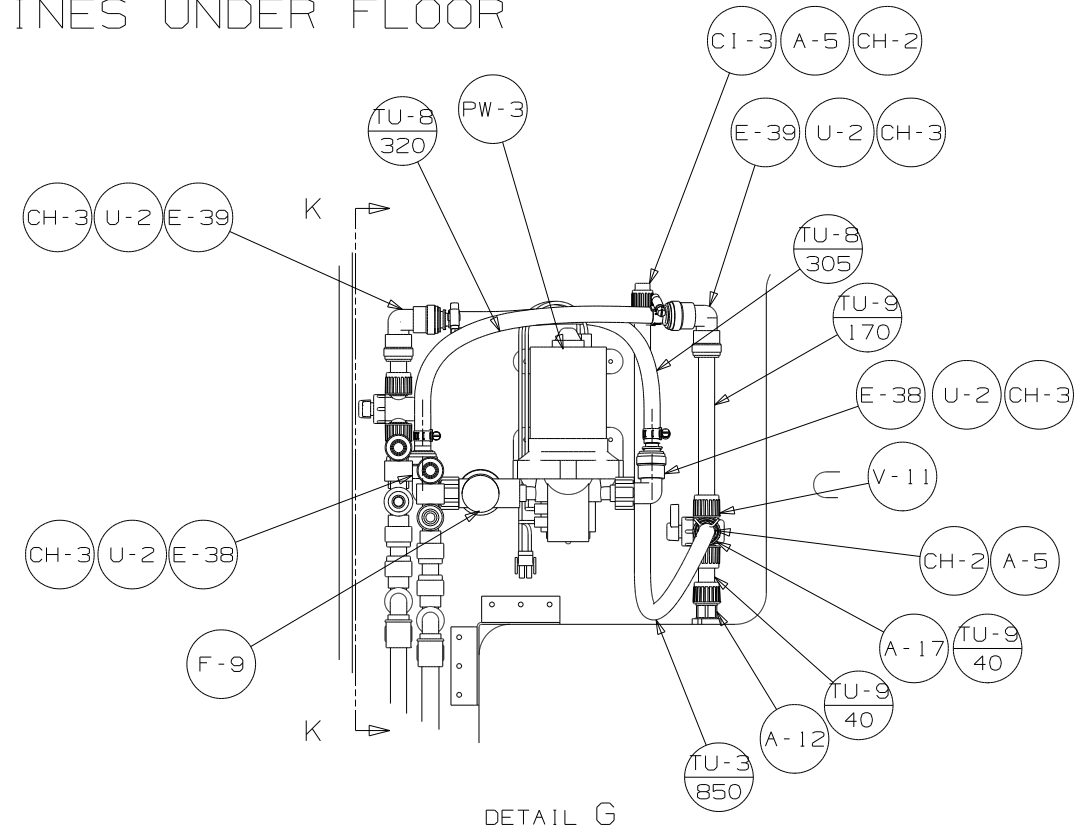
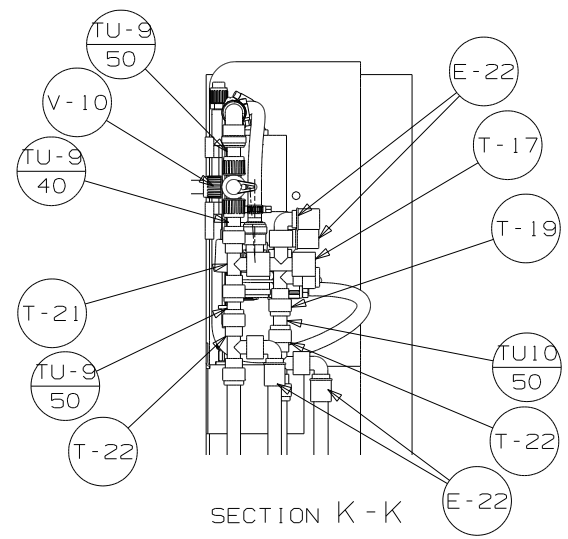
SECTION F-F (ROTATED)

PLATFORM ASM-WATER HEATER 155334-03-000

FIRST USED		10 D33C	
DO NOT SCALE DRAWING			
TITLE: WATER SYSTEM INSTL			
SHEET 3	PART NO	171688	REV

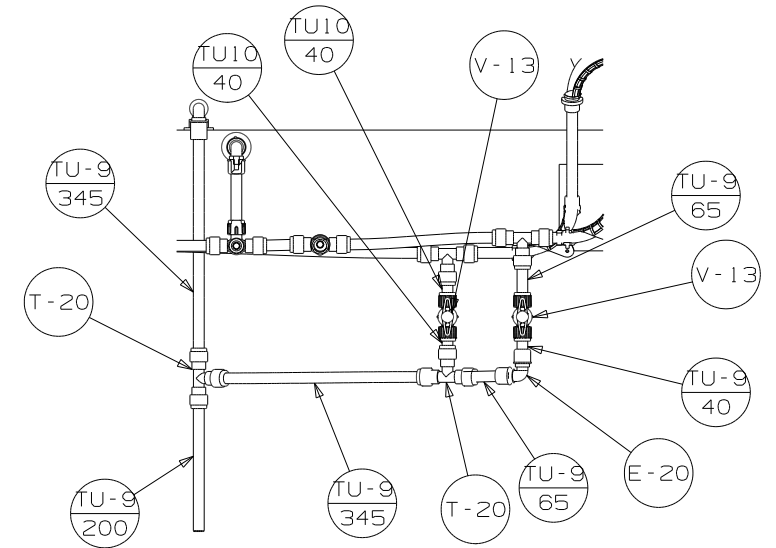
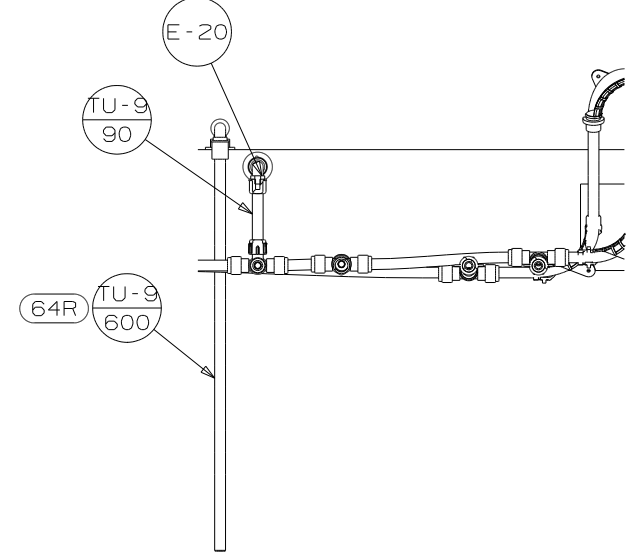
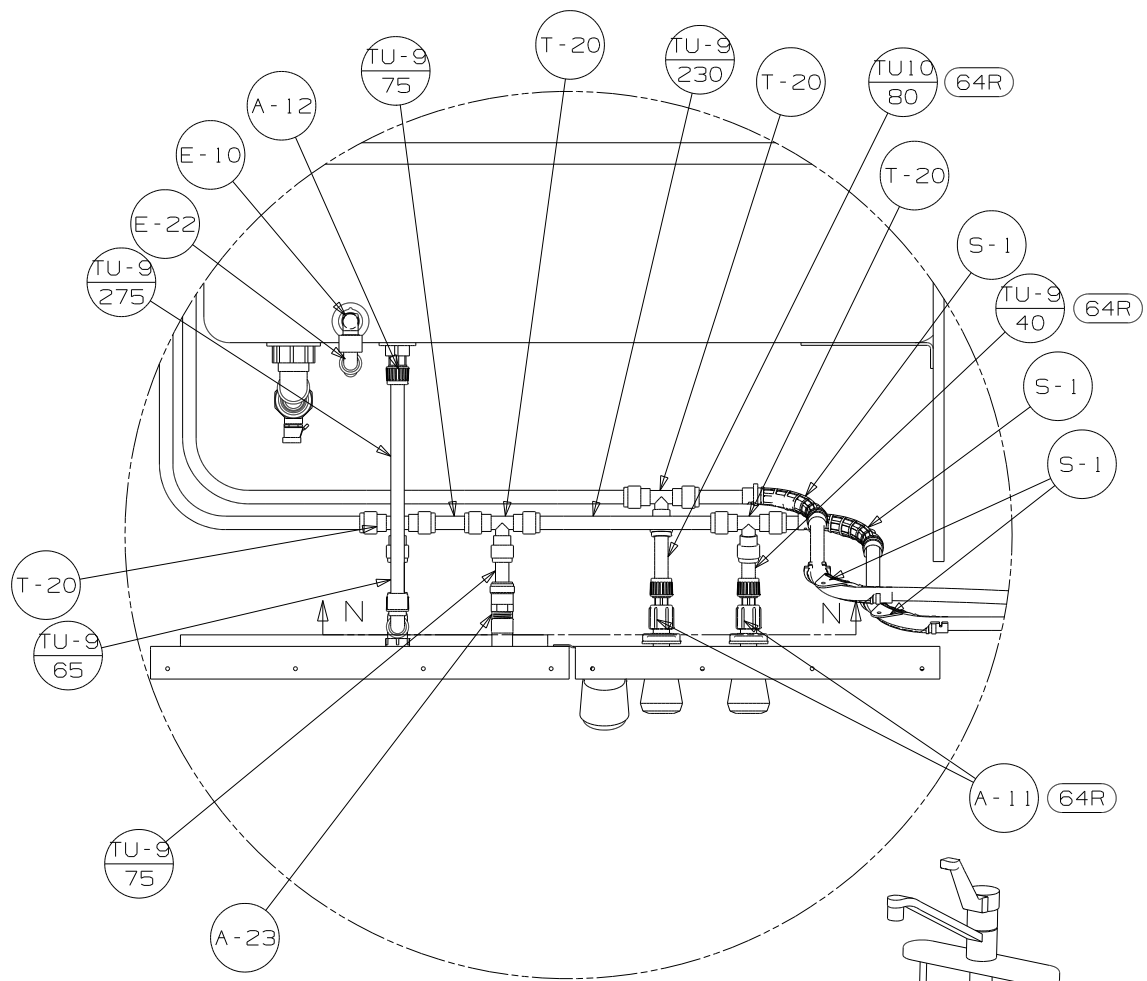


SHOWING LINES UNDER FLOOR

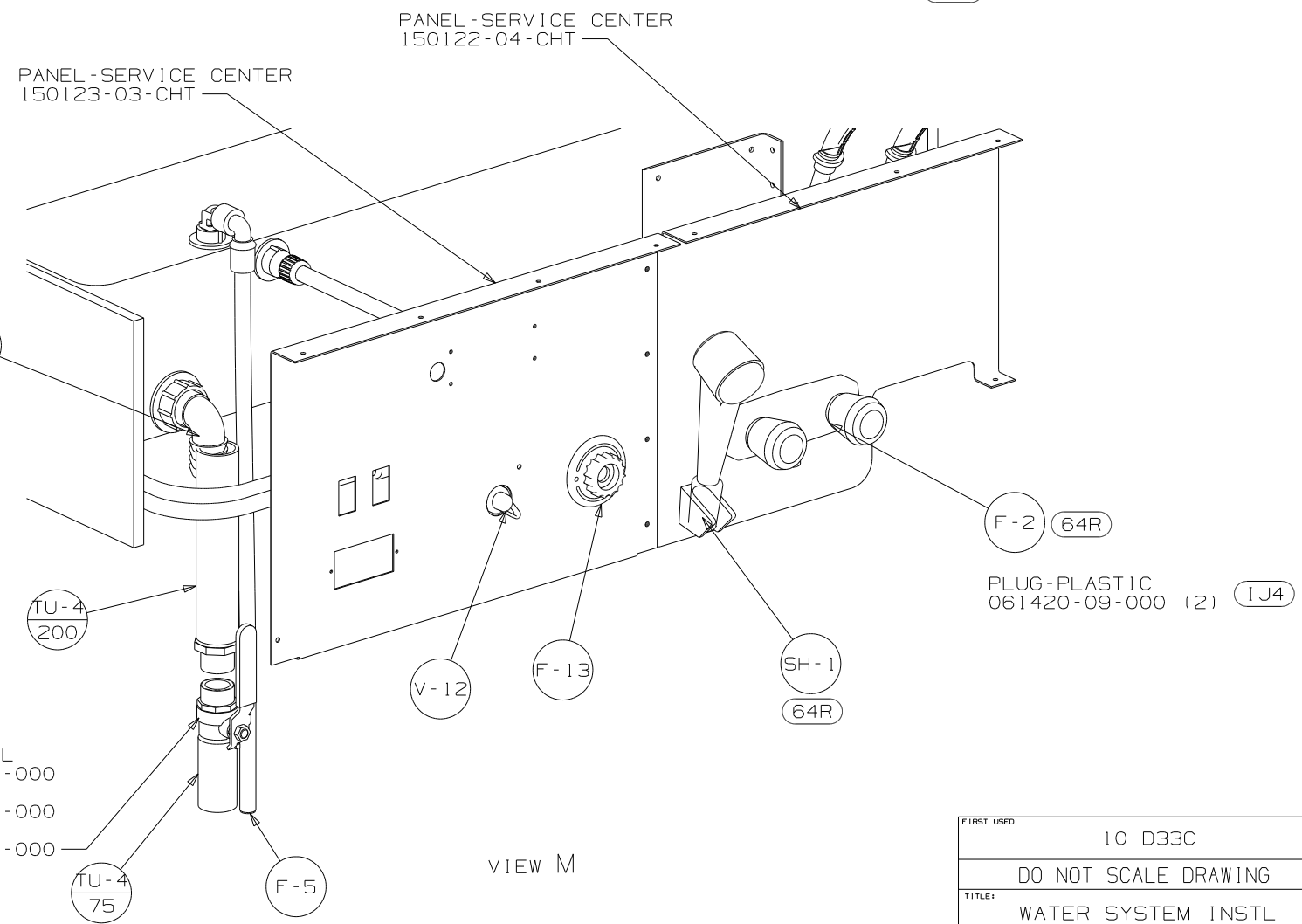
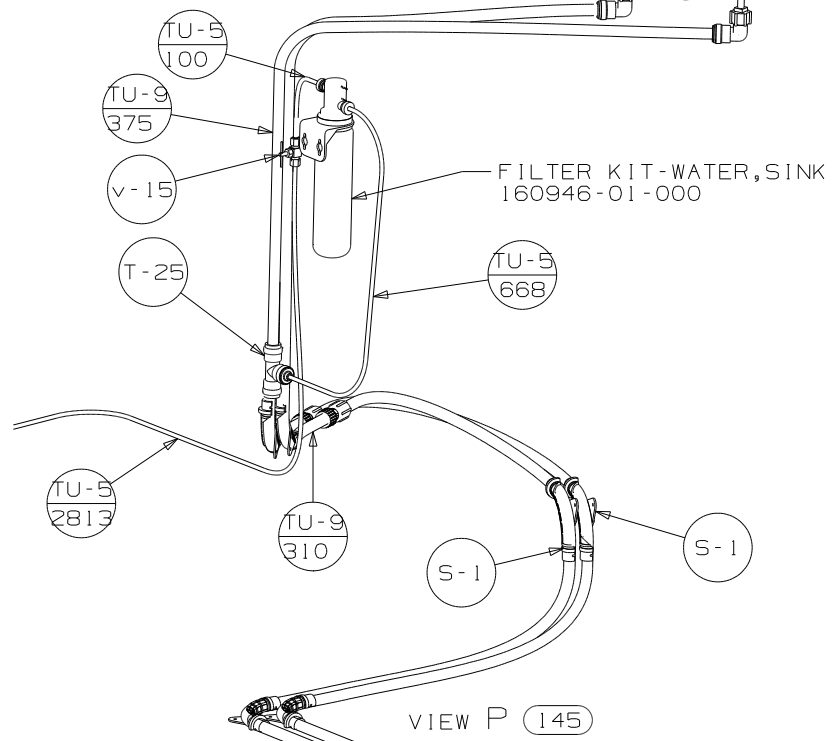


FIRST USED	10 D33C
DO NOT SCALE DRAWING	
TITLE:	WATER SYSTEM INSTL
SHEET 4	PART NO 171688 REV





DETAIL H



VALVE-BALL  
132483-01-000  
COUPLER  
147564-01-000  
ADAPTER  
044927-02-000

FIRST USED	10 D33C
DO NOT SCALE DRAWING	
TITLE:	WATER SYSTEM INSTL
SHEET 5	PART NO 171688 REV