

- 11 USE SMOOTH PLUMBERS PUTTY 167459-01-000 TO SEAL STRAINER (0.2 PER STRAINER).
- 10 ATTACH TANK BRACKET TO RISER.
- 9 APPLY PRIMER 126427-02-000 AND CEMENT 126427-01-000 BETWEEN ELBOW AND FLEX PIPE.
- 8. SECURE DRAINAGE PIPES TO CABINET USING WIRE TIE 108046-02-000, AND SCREW 000G67-10-12B AT INTERVALS OF NOT OF NOT MORE THAN 4 FEET APART.
- 7 SECURE VENT PIPE TO FLOOR WITH CLAMP 062401-02-000 (2), SCREW 000G67-10-12B (2), BRACKET 136878-01-CHT (2).
- 6 VENT PIPE MUST PROJECT 51 MIN AND 64 MAX ABOVE ROOF FOR PROPER FIT AND FUNCTION.
- 5. SEAL AROUND SHOWER WITH SILICONE.
- 4 GLUE FITTING AFTER CABINET IS INSTALLED.
- 3. ALL PIPE AND FITTINGS TO BE ASSEMBLED WITH SOLVENT 004020-01-000 (USA), 004020-02-000 (CAN)
- 2. SLOPE OF TRAP ARM MUST BE 6 PER 305 mm.
- 1. SLOPE OF HORIZONTAL PIPING TO BE MINIMUM OF 3 PER 305 mm.

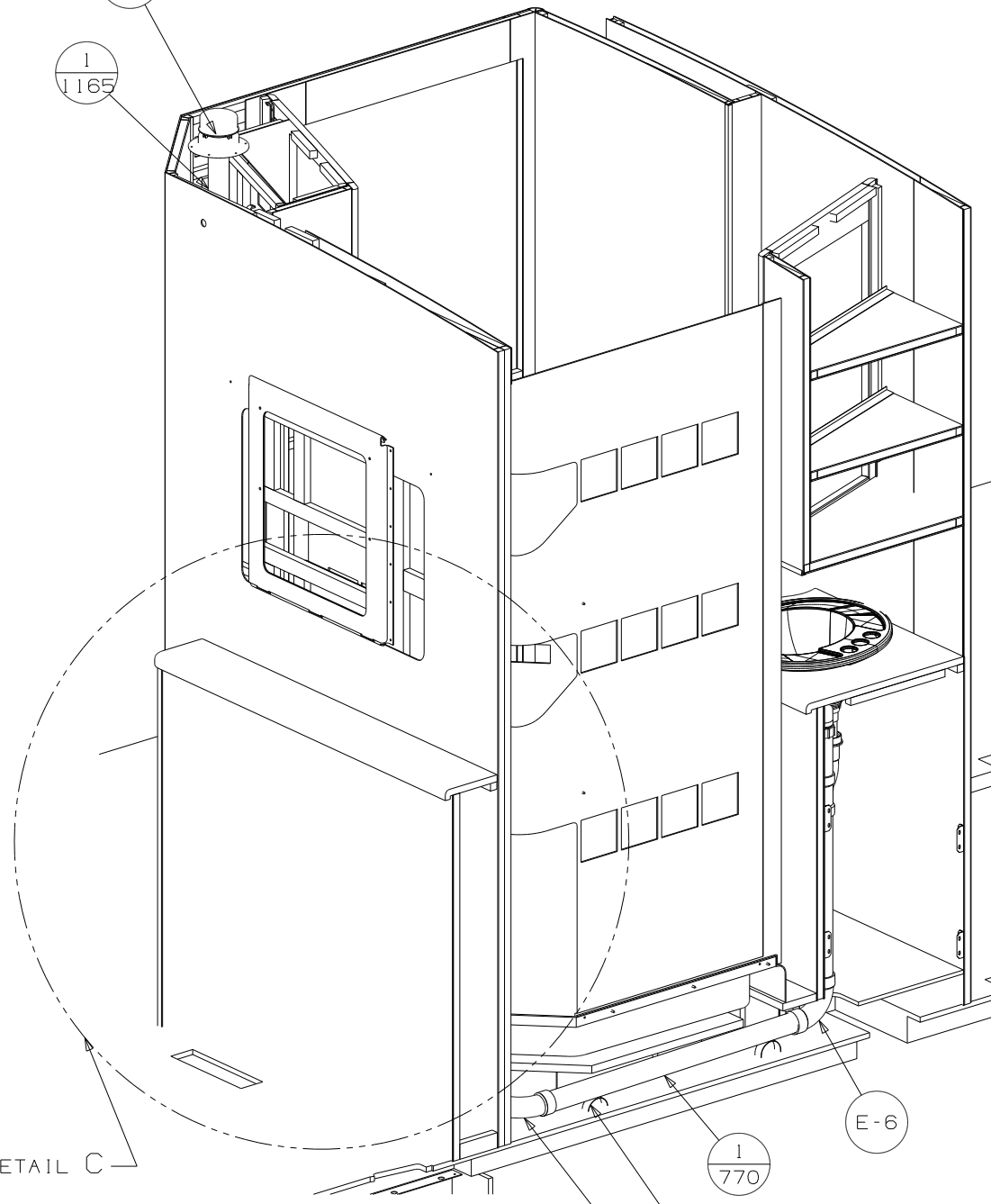
NOTES:

FOR
DRAINAGE
CALLOUTS
SEE DWG NO
116229-01-000

WINNEBAGO		COPYRIGHT 2009 WINNEBAGO INDUSTRIES, INC.	
DFTR	ORIG. DATE	ALL DIMENSIONS ARE IN MILLIMETERS	
CHKR		FIRST USED	
P.E.		10 D31E	
M.E.		UNSPECIFIED TOLERANCES ARE:	
DSNR		MATERIAL:	
		WHOLE DIM (X) :	3
		ONE-PLACE (X.X) :	
		TWO-PLACE (X.XX) :	
		ANGLE :	
		THIRD ANGLE PROJECTION	
DO NOT SCALE DRAWING			
TITLE: DRAINAGE SYSTEM INSTL			
SHEET 1 OF 4	PART NO	172870	REV
REF:	1 10/1/2009		

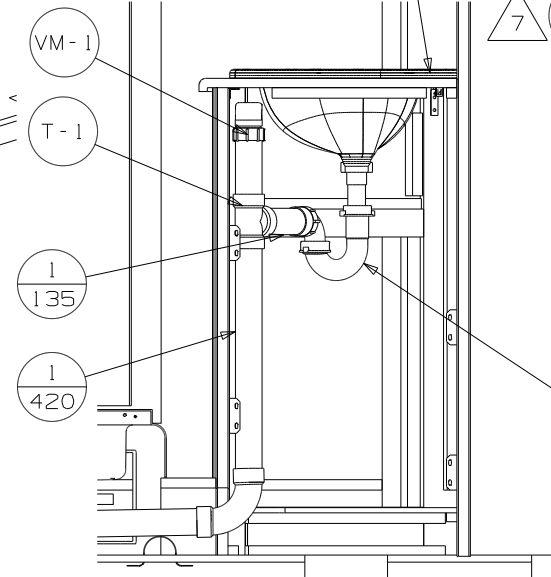
S-1
6 CP-2

1
1165

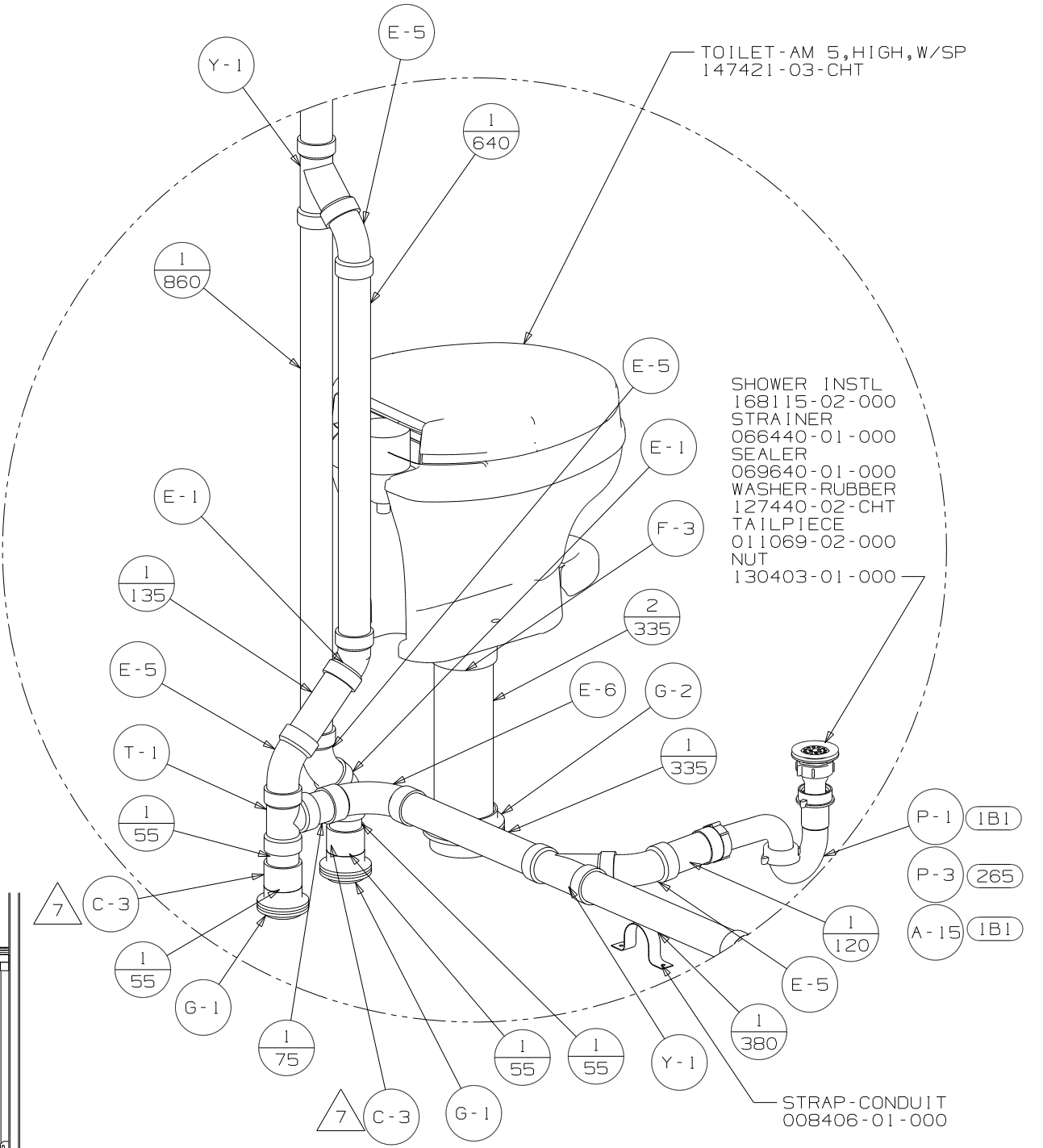


VIEW A

SINK-LAVATORY
164615-01-CHT
TAILPIECE
106116-01-CHT
GASKET
106116-02-CHT
SEAL
091255-02-000 (A/R)



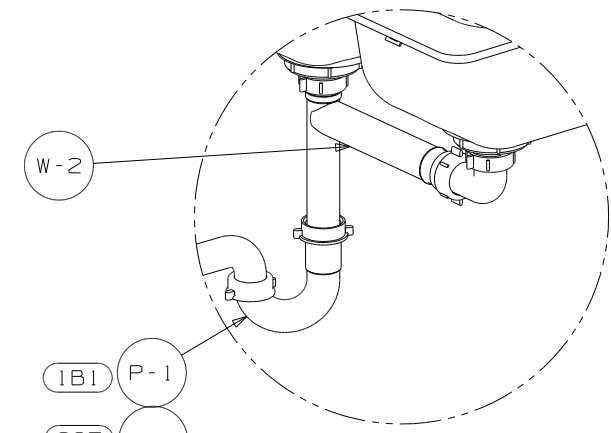
VIEW E



DETAIL C
(SHOWN W/OUT CABINETS AND FLOOR)

FIRST USED	10 D31E	
TITLE	DO NOT SCALE DRAWING	
	DRAINAGE SYSTEM INSTL	
SHEET 2	PART NO 172870	REV

SINK-SMC, DBL L/S BASIN
163942-02-CHT (US/CAN)
STRAINER
092303-01-000 (2) Δ
BRACKET & SCREW
(SUPPLIED WITH TANK) (8)
SEAL
(A/R)



DETAIL D
(SHOWN W/OUT CABINETS)

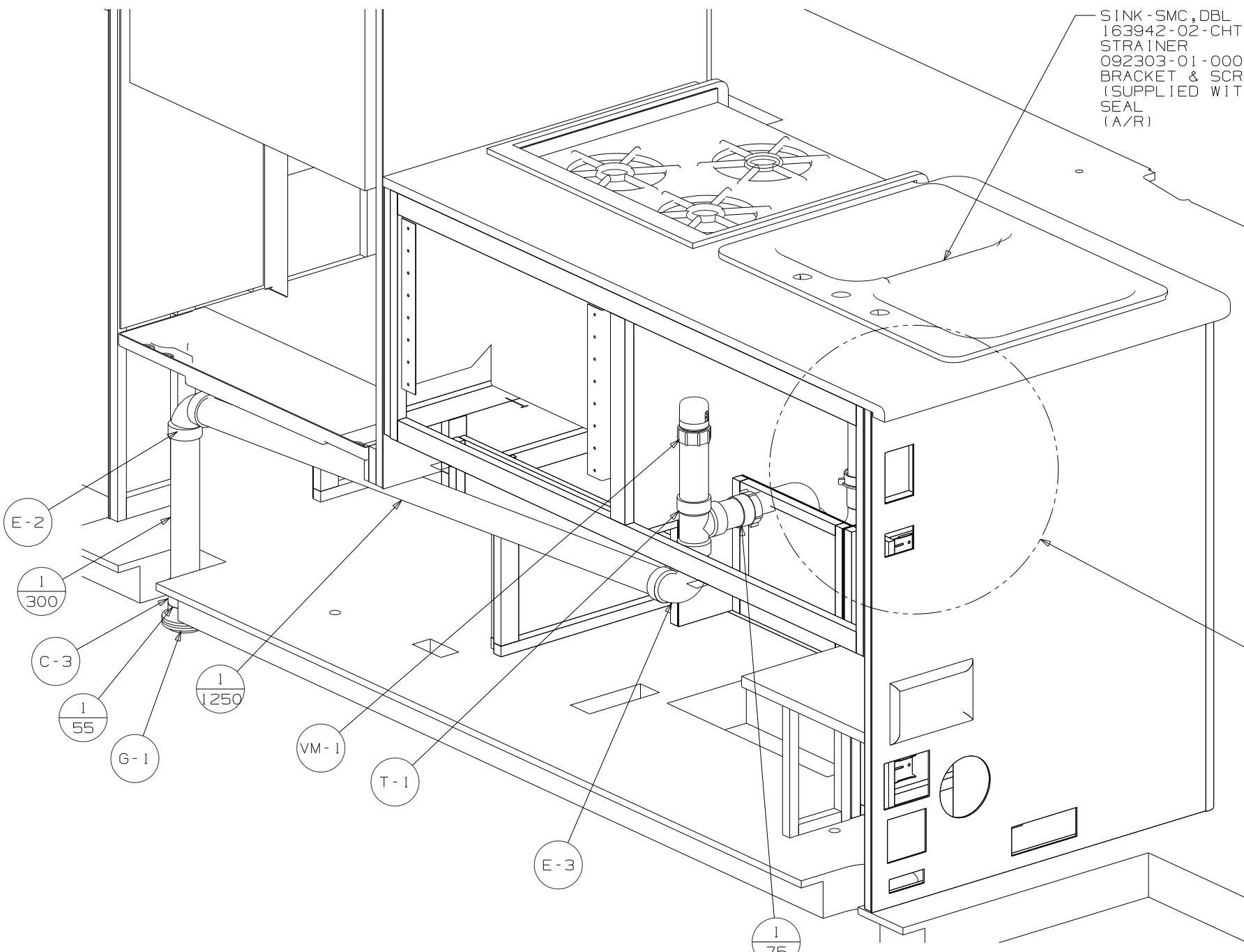
W-2

1B1 P-1

265 P-3

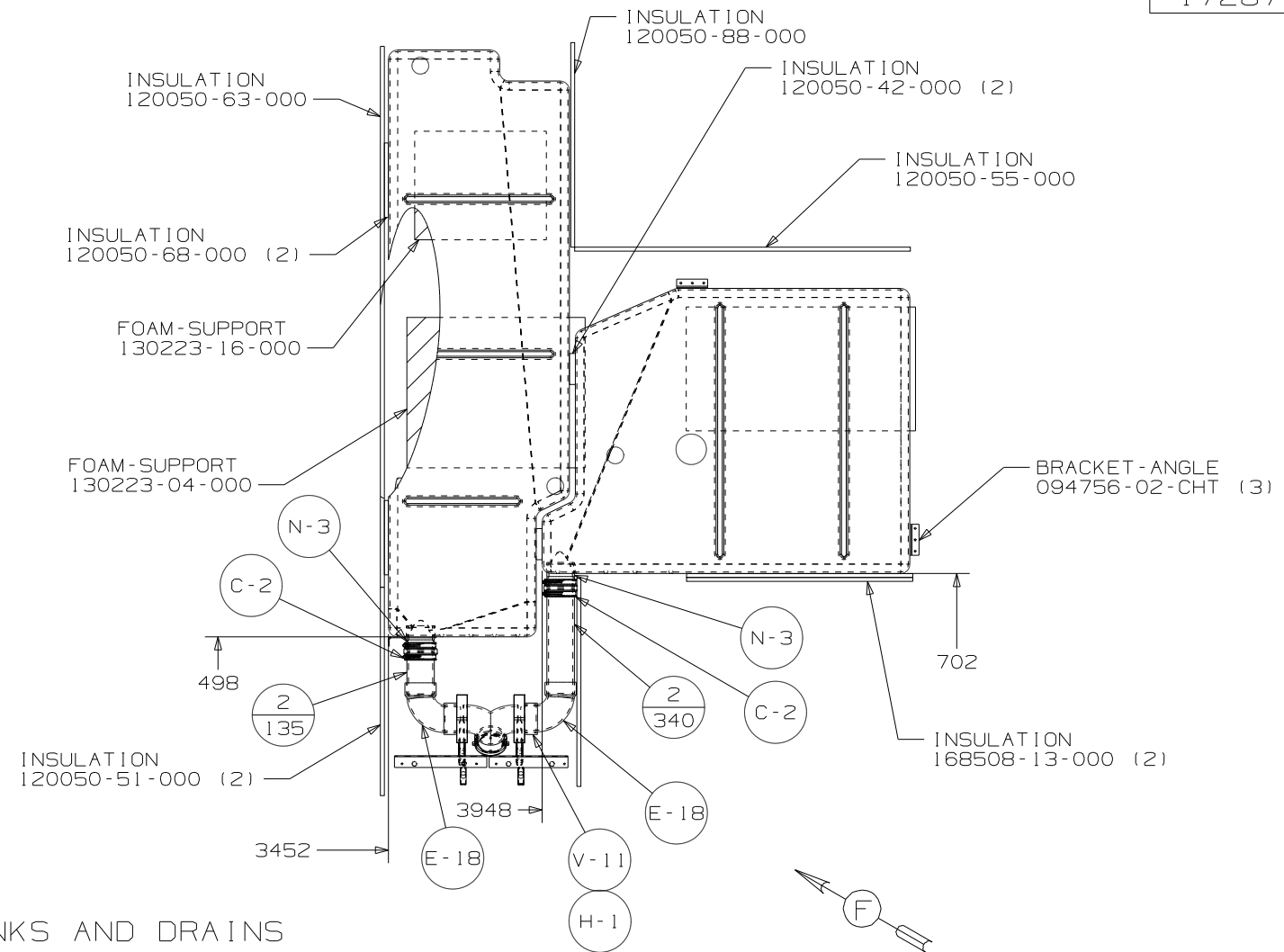
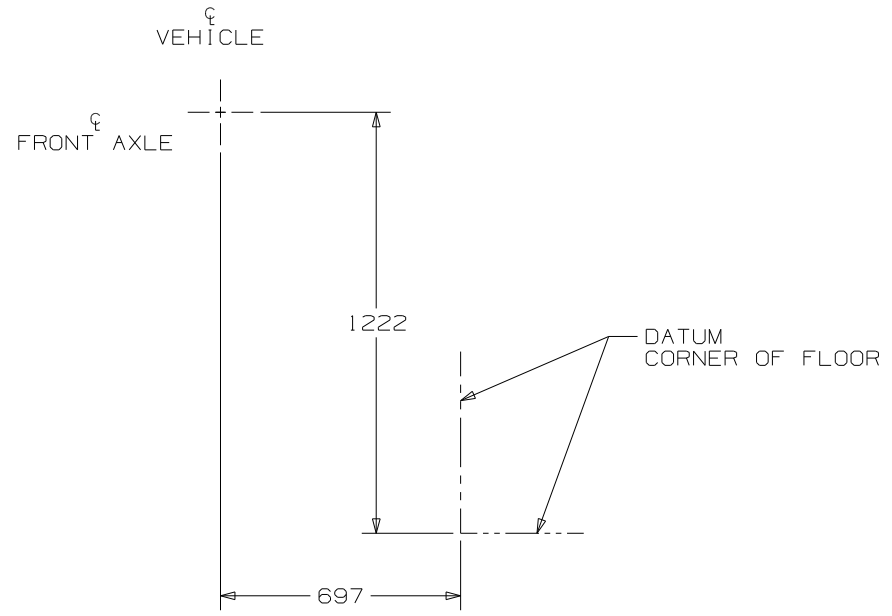
1B1 A-15

DETAIL D

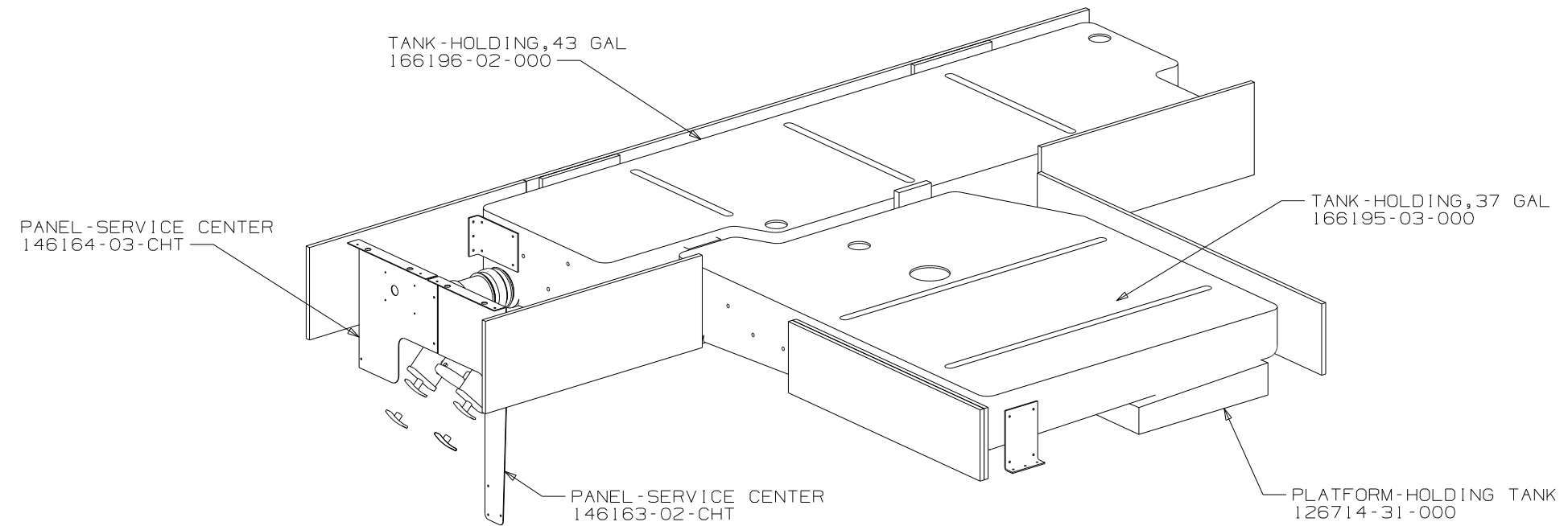


VIEW B

FIRST USED	10 D31E		
TITLE	DO NOT SCALE DRAWING		
	DRAINAGE SYSTEM INSTL		
SHEET 3	PART NO	172870	REV



SHOWING TANKS AND DRAINS

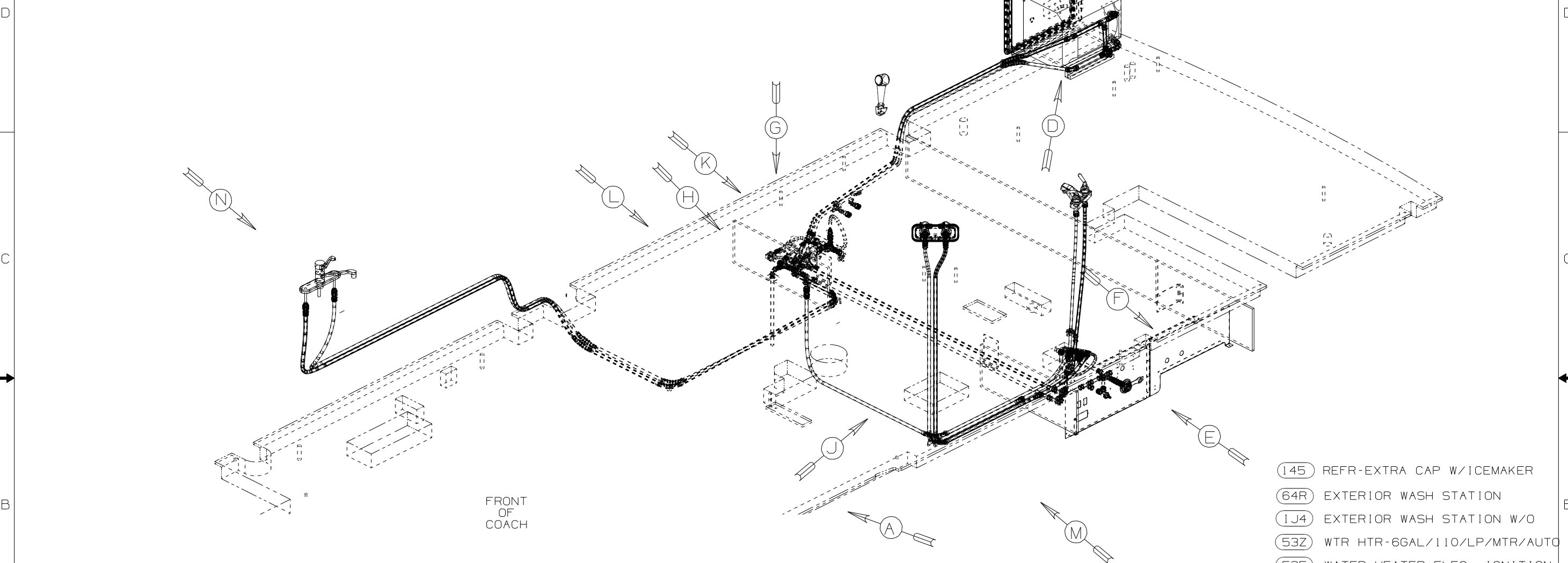


VIEW F

FIRST USED	10 D31E
DO NOT SCALE DRAWING	
TITLE	DRAINAGE SYSTEM INSTL
SHEET 4	PART NO 172870 REV

DWG NO	FAUCET-LAV
165975-01	148886-01-CHT
165975-02	148886-03-CHT

RELEASE	REV DATE	DWG NO	165975
REV ZONE	REVISION RECORD	DATE	DFTR-ORIG



FRONT OF COACH

- (145) REFR-EXTRA CAP W/ICEMAKER
- (64R) EXTERIOR WASH STATION
- (1J4) EXTERIOR WASH STATION W/O
- (53Z) WTR HTR-6GAL/110/LP/MTR/AUTO
- (53F) WATER HEATER-ELEC. IGNITION
- (086) INTERIOR UPGRADE
- (08P) W/O INTERIOR UPGRADE

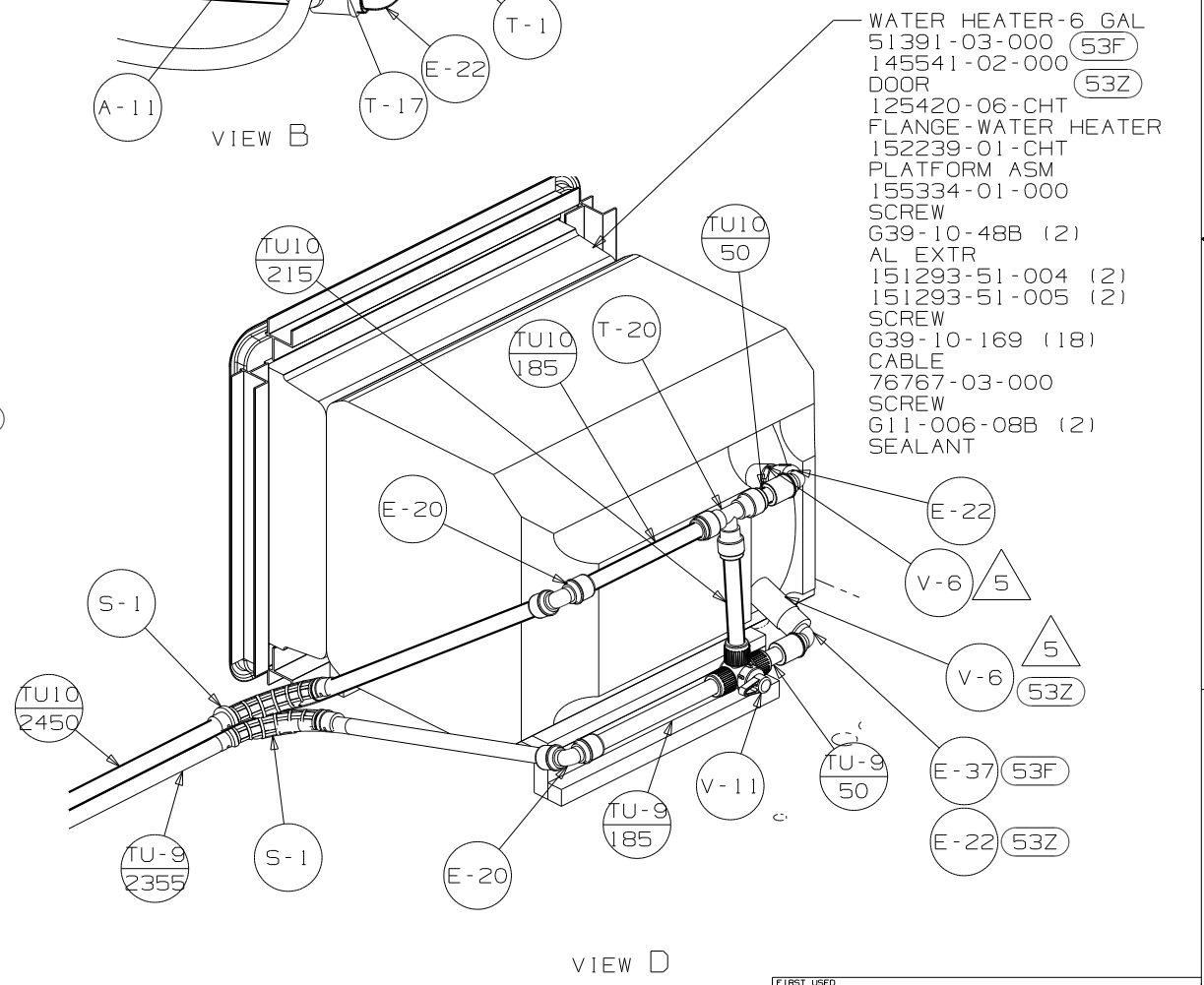
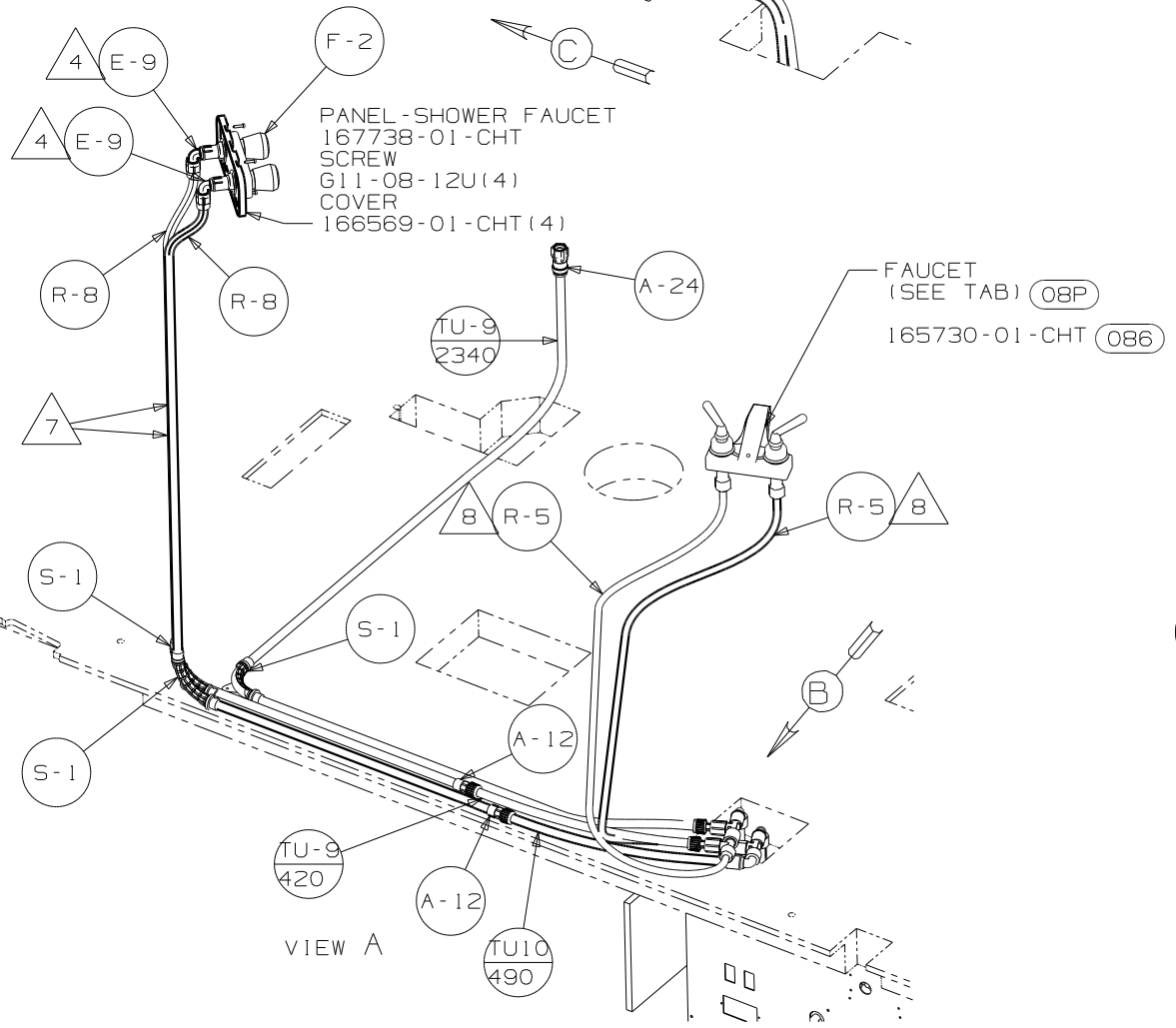
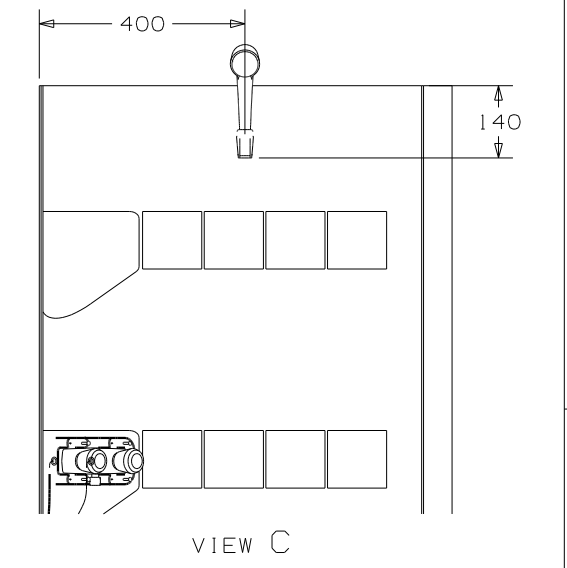
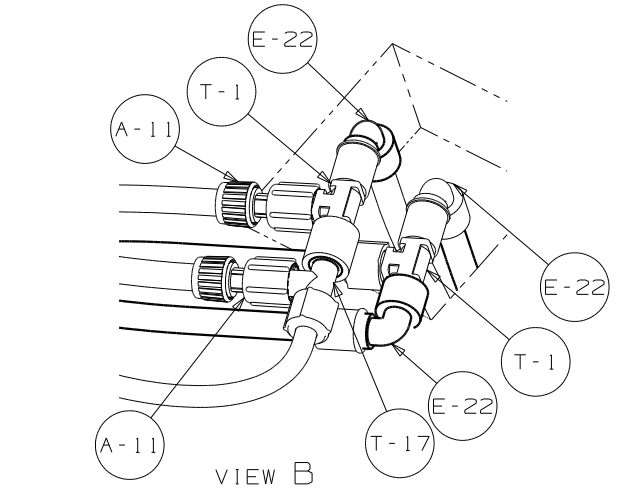
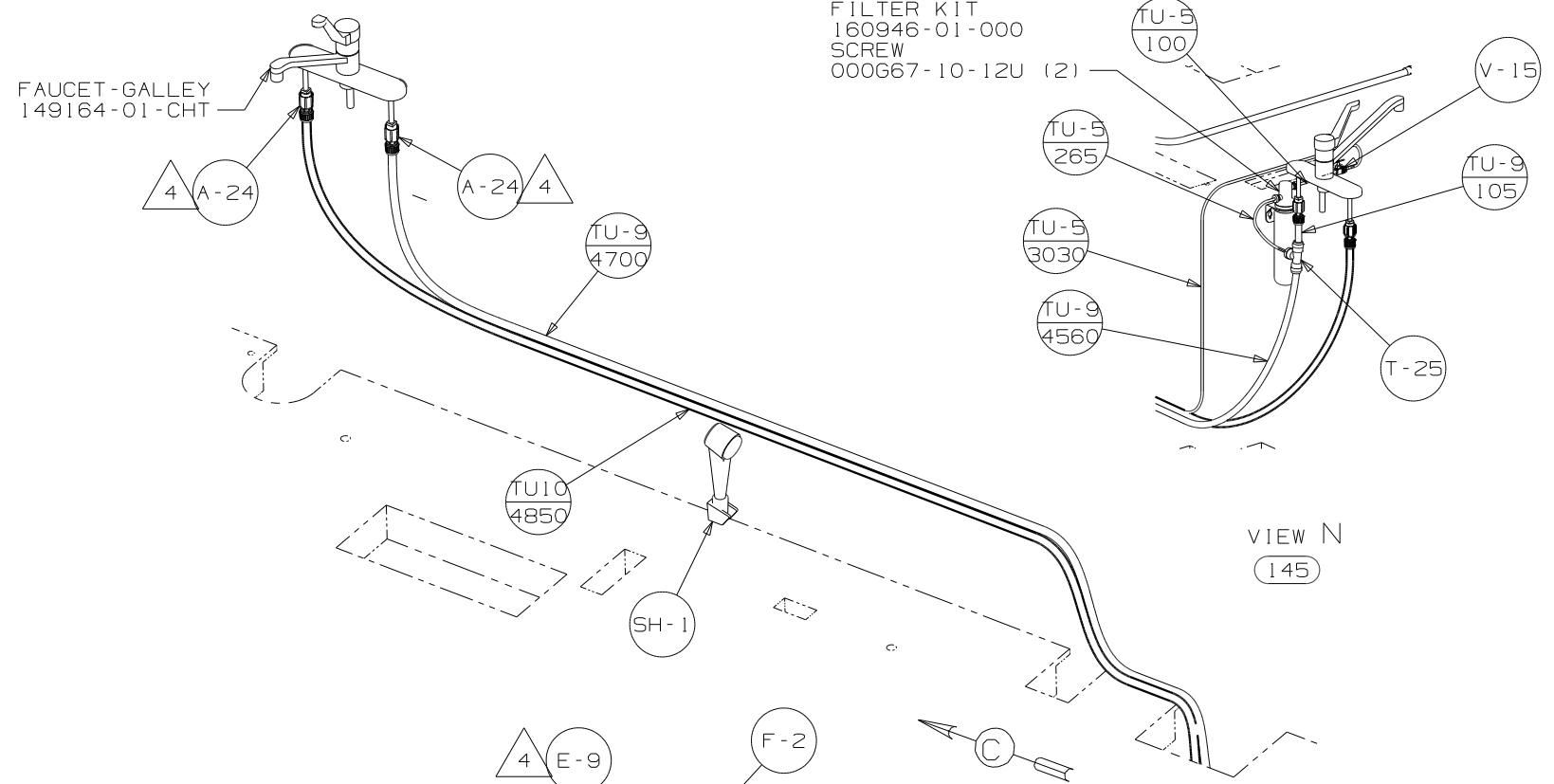
- 8 TAPE FITTING TO TUBE BEFORE CABINET SET TO PREVENT FITTING FROM MOVING.
- 7 ADD PIPE WRAP (LADDER SCRAP 110157-02-000) INSULATION.
- 6 ADD TEFLON TAPE 10405-03-000.
- 5 ADD TEFLON TAPE 10405-02-000.
- 4 ADD TEFLON TAPE 10405-01-000.

3. ALL TUBING TO BE SECURED AT 1200 INTERVALS MAXIMUM WITH CLAMP 10495-01-000 AND SCREW G67-10-12B OR EQUIVALENT.
2. TUBING TO BE INSTALLED WITH SUFFICIENT SLOPE TO PROVIDE DRAINAGE TO NEAREST VALVE.
1. PLASTIC FITTINGS TO BE SEALED WITH SEALANT 84456-01-000.

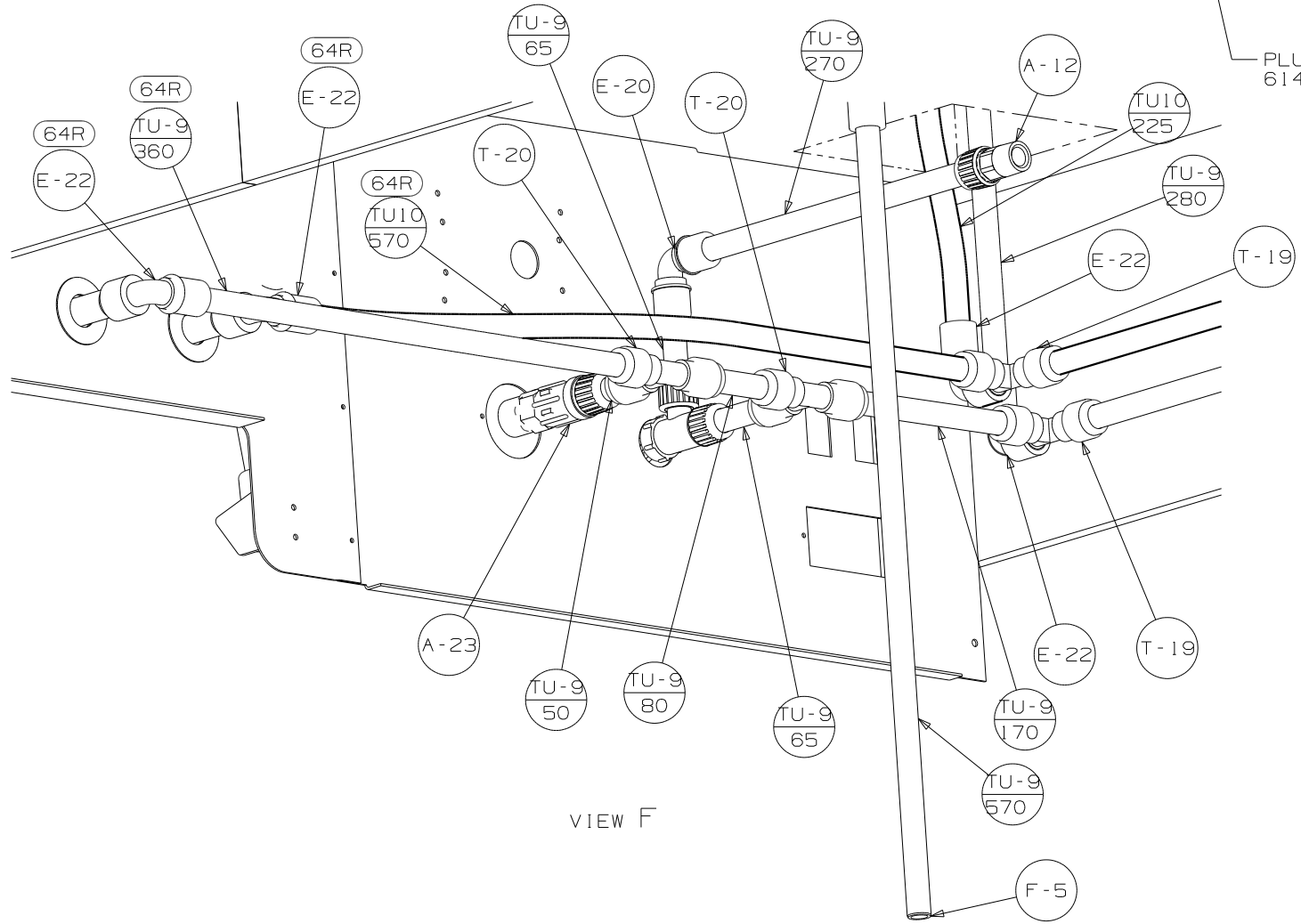
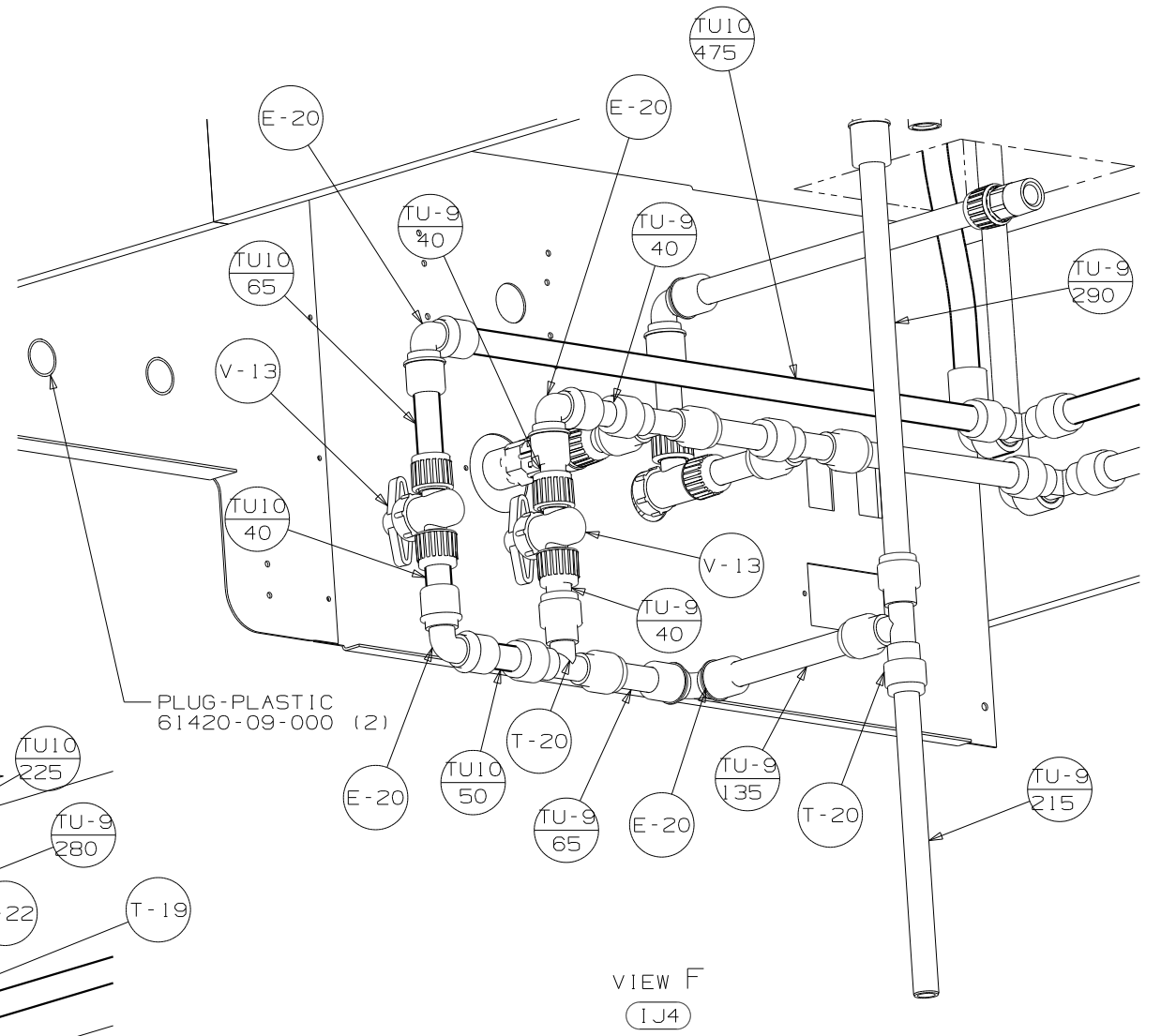
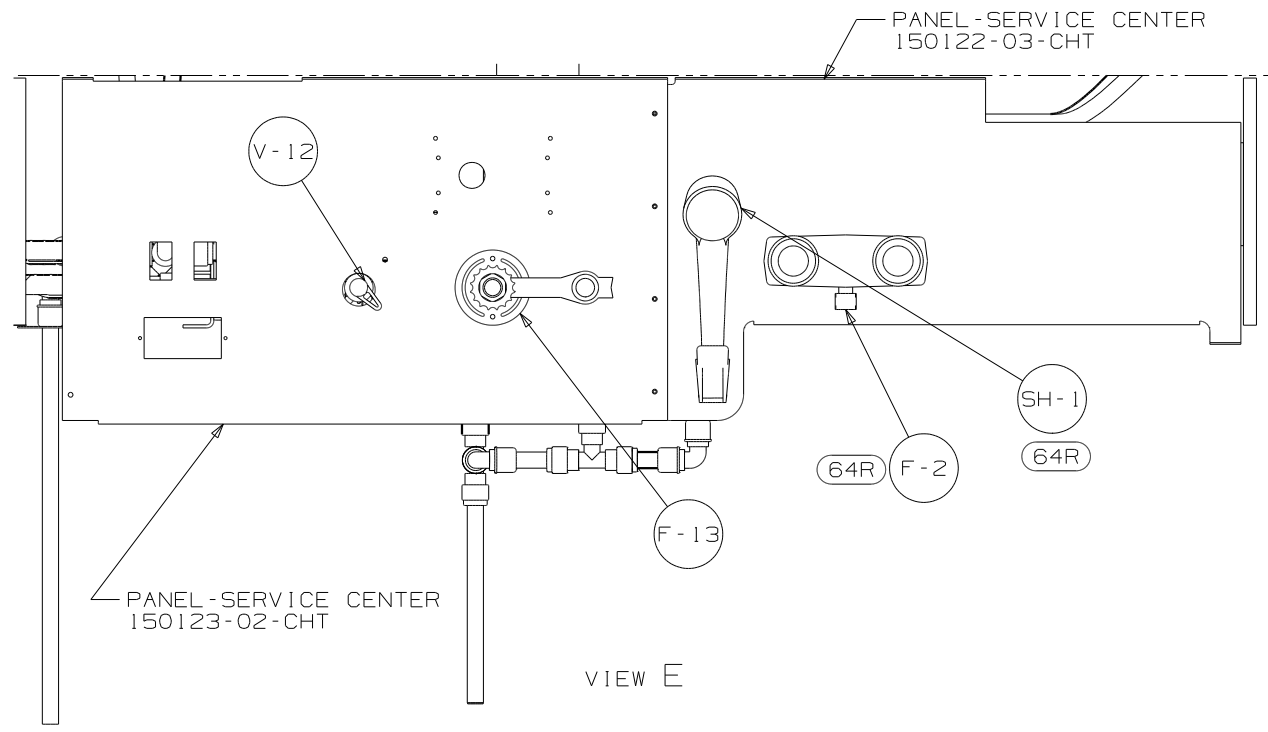
NOTES:

(X-X)
FOR WATER CALLOUTS SEE DWG NO 116230-01-000

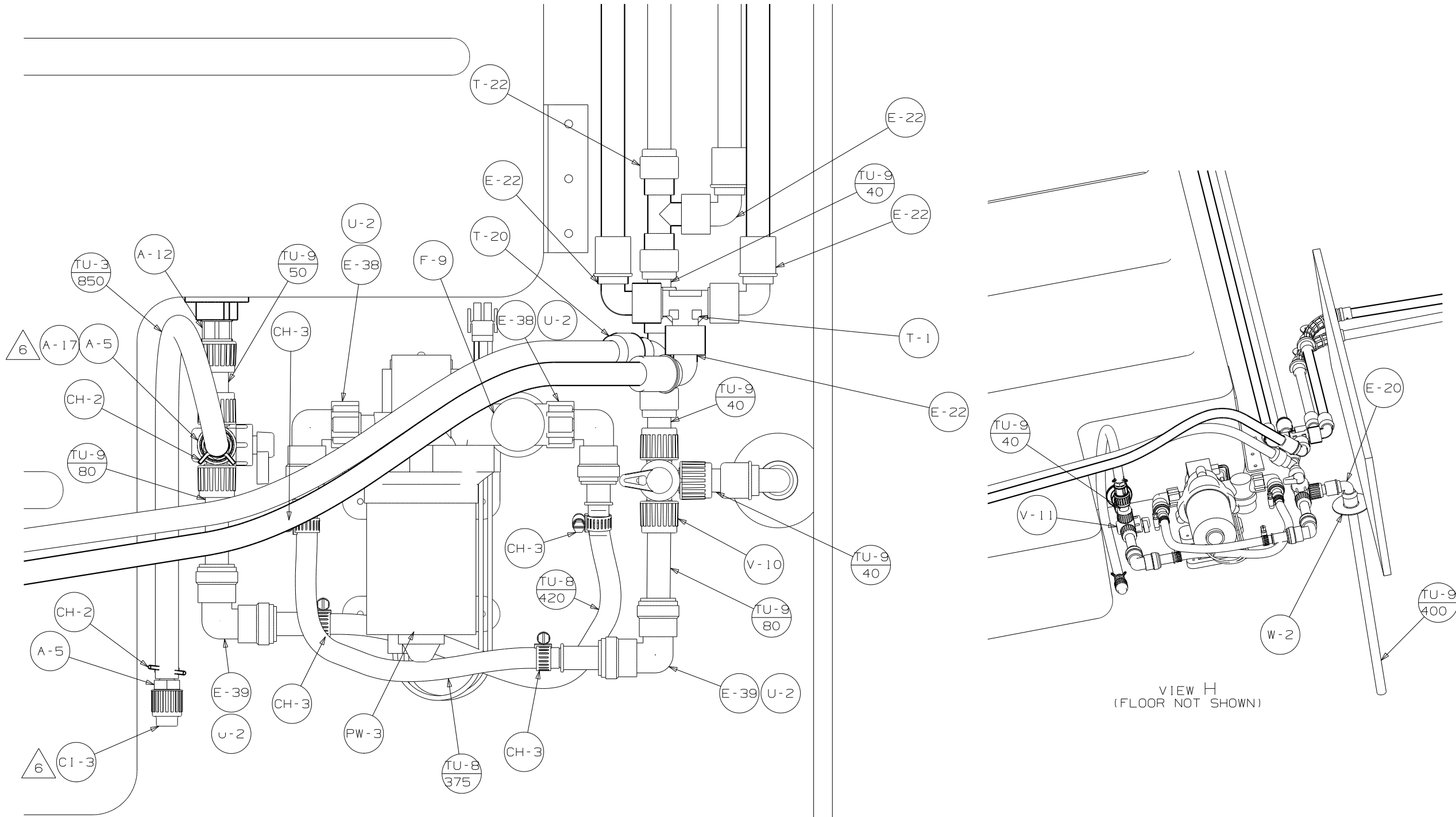
WINNEBAGO		COPYRIGHT 2010 WINNEBAGO INDUSTRIES, INC.	
DFTR	ORIG. DATE	ALL DIMENSIONS ARE IN MILLIMETERS	
CHKR		FIRST USED	
P.E.		09 D31E	
M.E.		UNSPECIFIED TOLERANCES ARE:	
DSNR		WHOLE DIM (X) : 3	
		ONE-PLACE (X.X) :	
		TWO-PLACE (X.XX) :	
		ANGLE :	
THIRD ANGLE PROJECTION		MATERIAL:	
DO NOT SCALE DRAWING		REFER TO ES0018 FOR FASTENER TIGHTENING GUIDELINES	
TITLE: WATER SYSTEM INSTL			
SHEET 1 OF 6	PART NO	165975	REV
REF:	1 2/19/2010		



FIRST USED	09 D31E
TITLE	DO NOT SCALE DRAWING
SHEET 2	PART NO 165975 REV



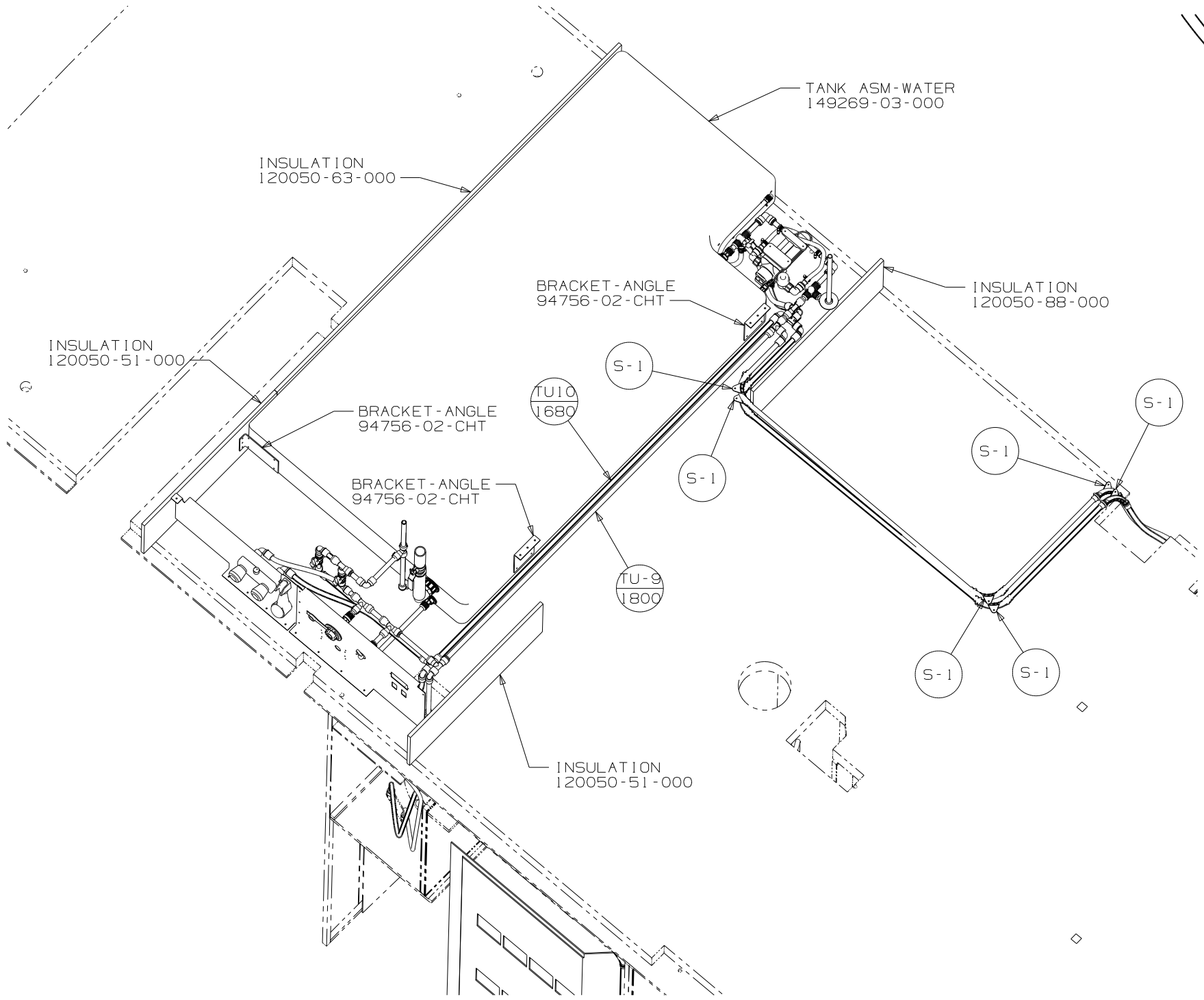
FIRST USED	09 D31E	
TITLE	DO NOT SCALE DRAWING	
SHEET 3	PART NO	165975
REV		



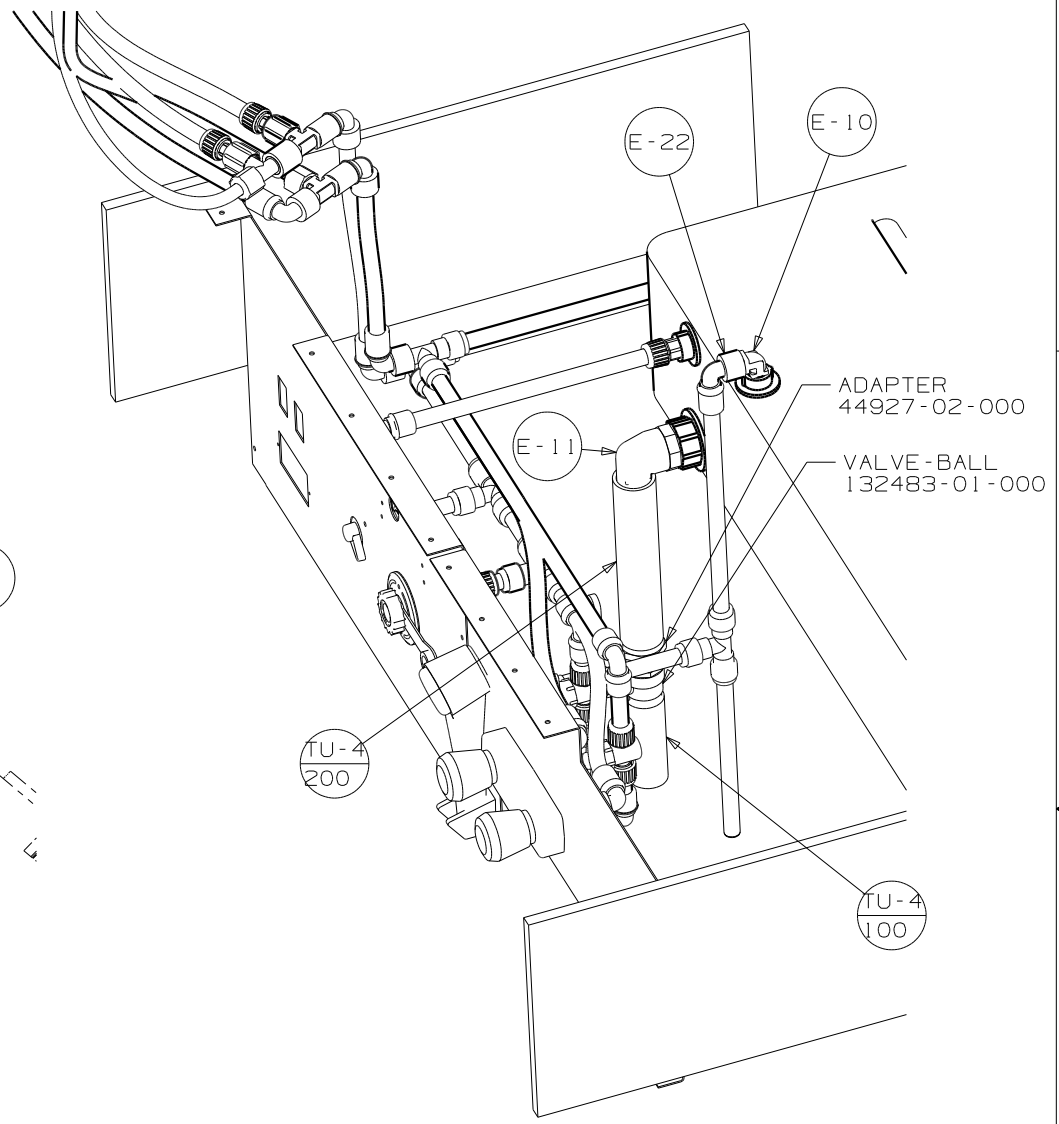
VIEW G
(FLOOR NOT SHOWN)

VIEW H
(FLOOR NOT SHOWN)

FIRST USED	09 D31E		
TITLE	DO NOT SCALE DRAWING		
SHEET 4	PART NO	165975	REV

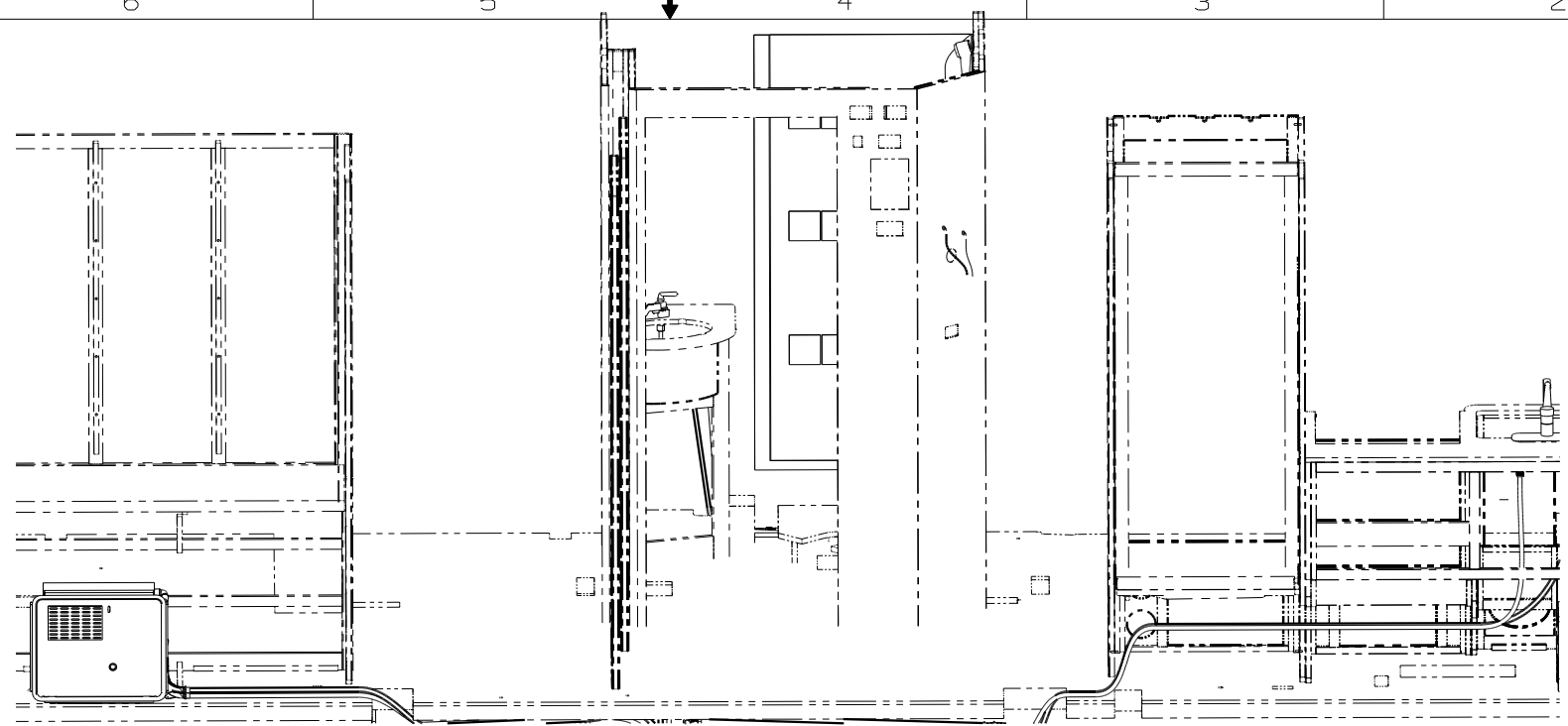


VIEW J

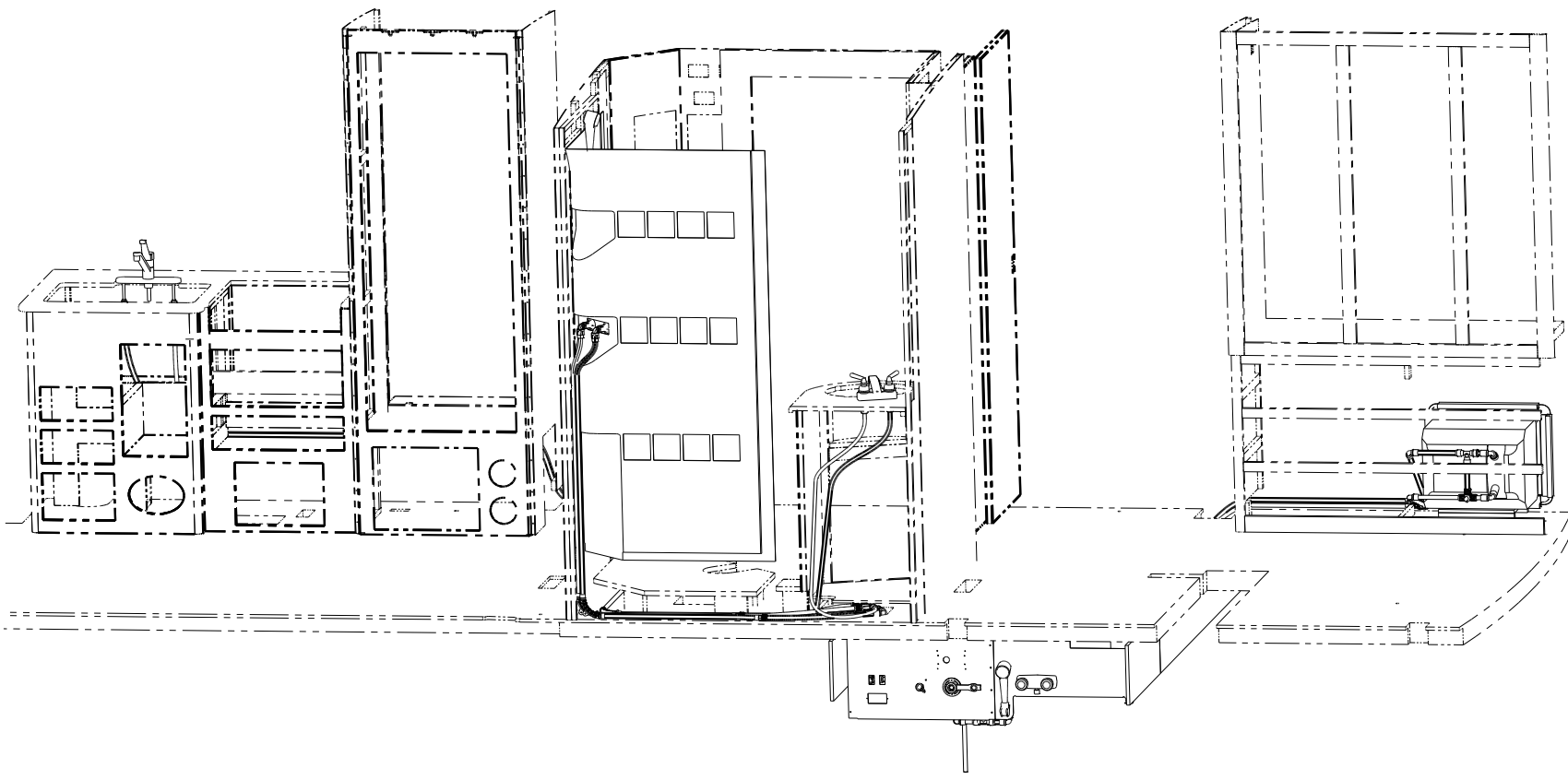


VIEW K
(FLOOR NOT SHOWN)

FIRST USED	09 D31E		
TITLE	DO NOT SCALE DRAWING		
TITLE	WATER SYSTEM INSTL		
SHEET 5	PART NO	165975	REV



VIEW L



VIEW M

FIRST USED	09 D31E		
TITLE	DO NOT SCALE DRAWING		
TITLE	WATER SYSTEM INSTL		
SHEET 6	PART NO	165975	REV