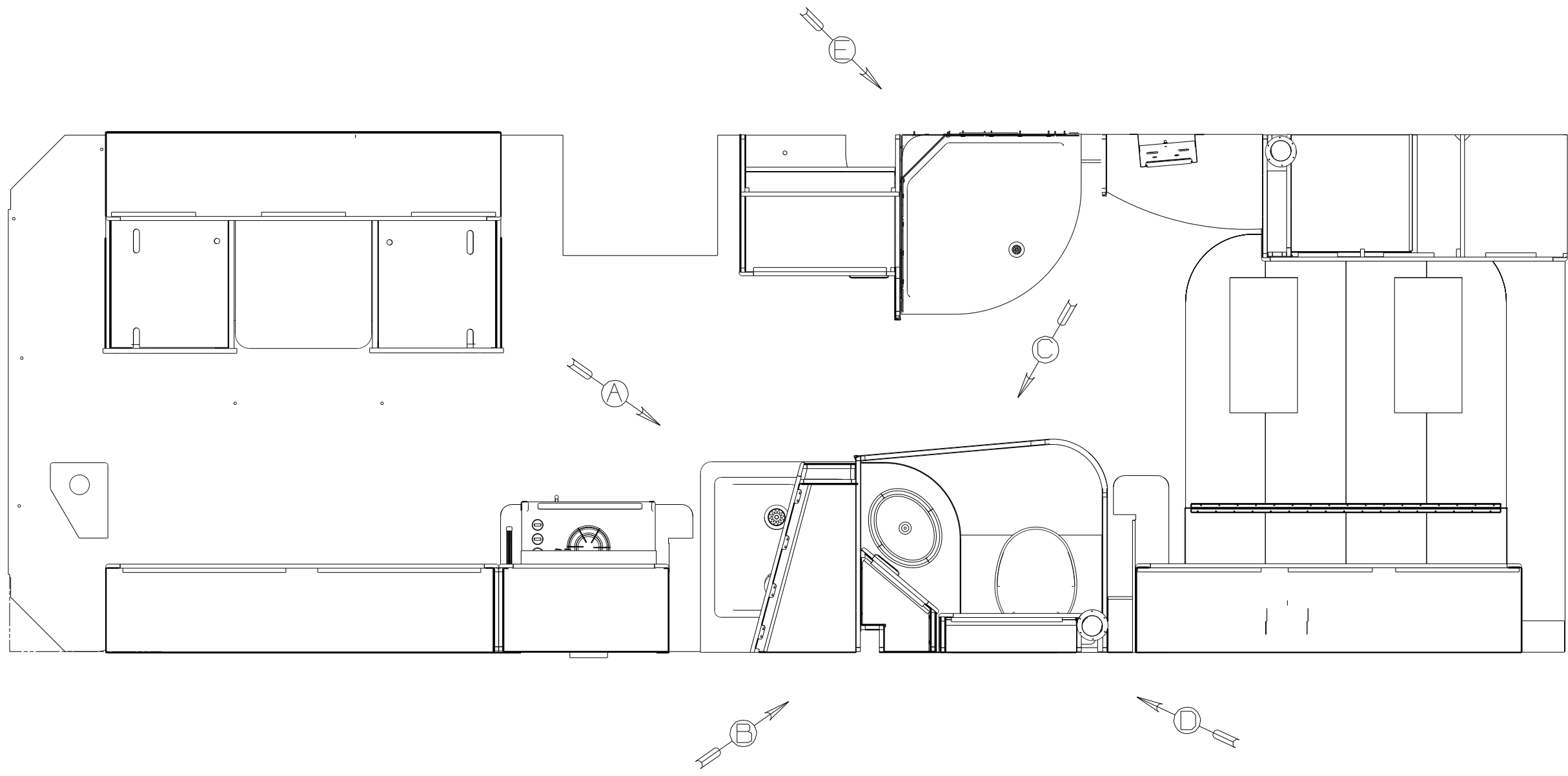


DWG NO	TOILET
165353-01	147421-02-CHT
165353-02	160815-04-CHT

RELEASE	REV DATE	DWG NO	165353
REV ZONE	REVISION RECORD	DATE	DFTR-ORIG

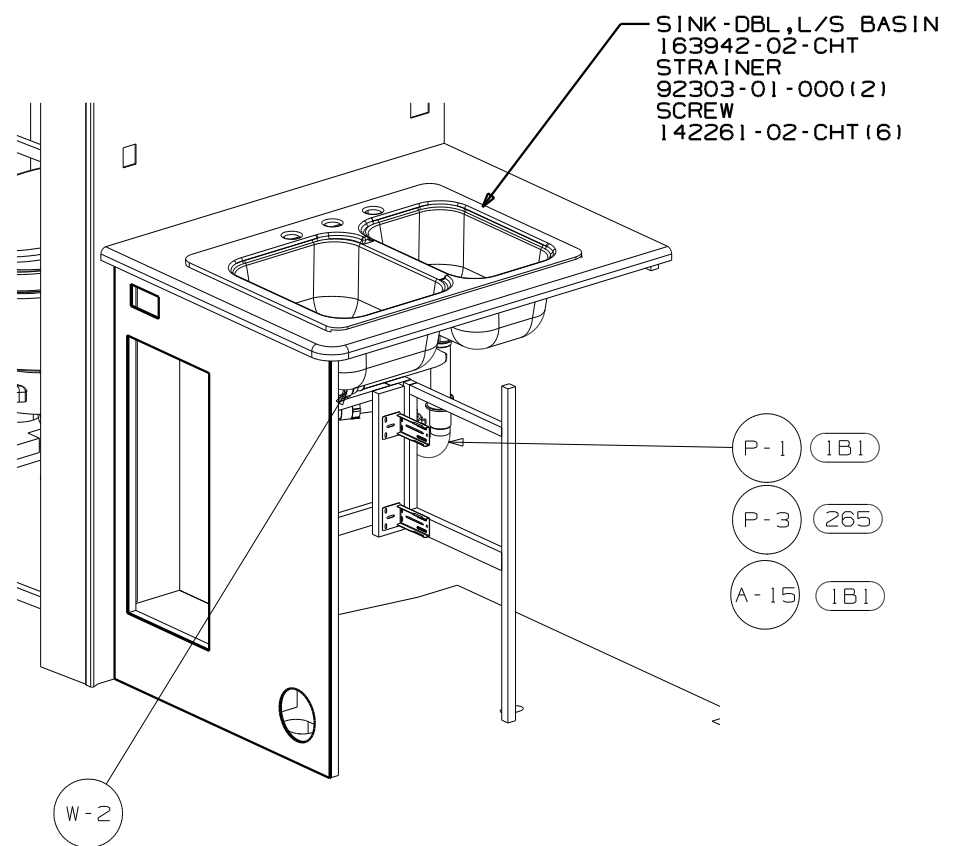


- 7. SECURE VENT PIPE TO FLOOR WITH CLAMP 62401-02-000 (2), SCREW G67-10-12B (2), BRACKET 136878-01-CHT (2).
- 6. VENT PIPE MUST PROJECT 51 MIN AND 64 MAX ABOVE ROOF FOR PROPER FIT AND FUNCTION. ADD S-1 (116666-01-CHT SEAL-VENT PIPE) AROUND PIPE ON ROOF BEFORE VENT CAP IS INSTALLED.
- 5. SEAL AROUND SHOWER WITH SILICONE.
- 4. SECURE DRAINAGE PIPES TO CABINET USING WIRE TIE 108046-02-000, AND SCREW G67-10-12B AT INTERVALS OF NOT MORE THAN 4 FEET APART.
- 3. ALL PIPE AND FITTINGS TO BE ASSEMBLED WITH SOLVENT 4020-01-000 (USA), 4020-02-000 (CAN)
- 2. SLOPE OF TRAP ARM MUST BE 6 PER 305 mm.
- 1. SLOPE OF HORIZONTAL PIPING TO BE MINIMUM OF 3 PER 305 mm.

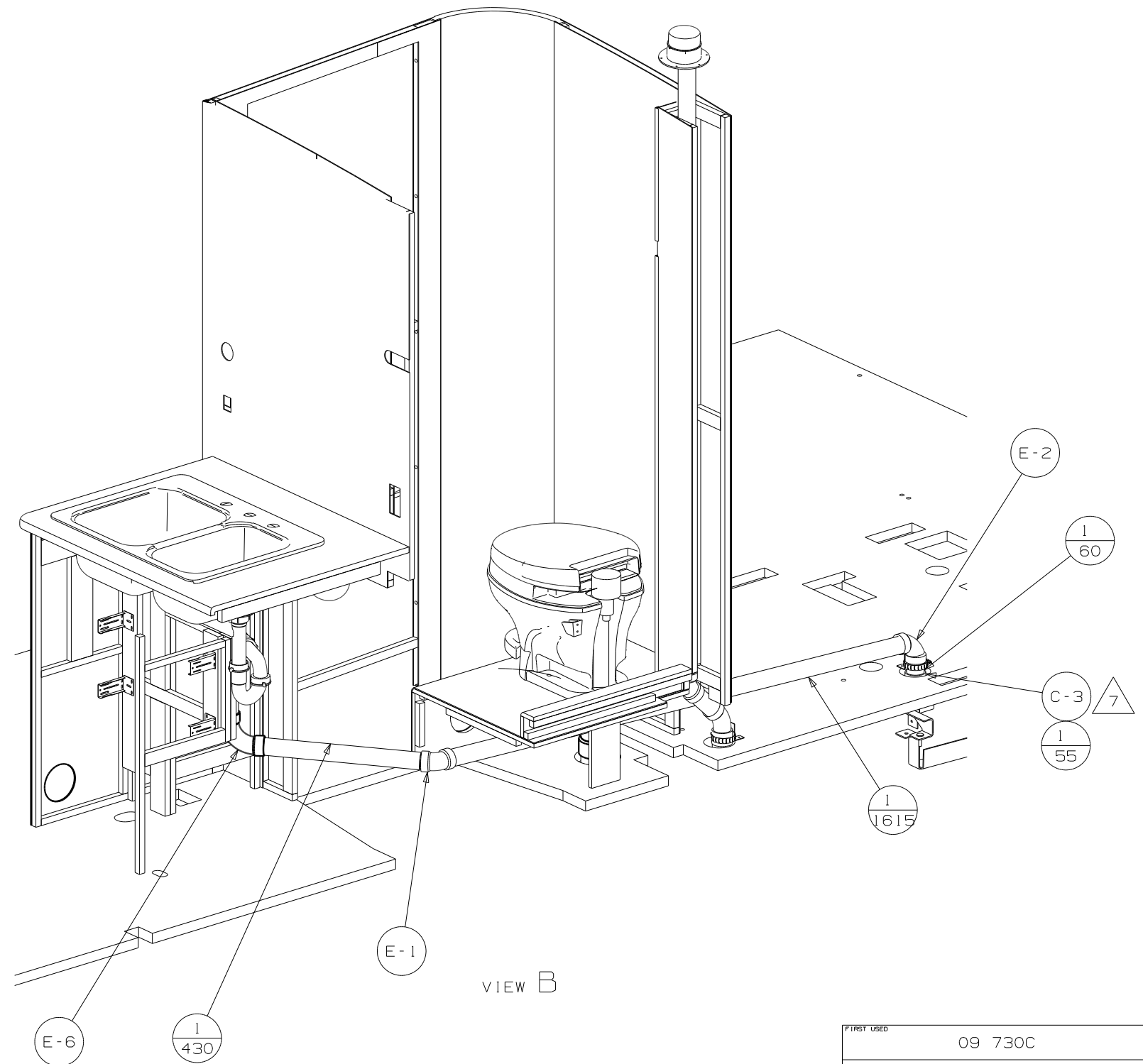
NOTES:

WINNEBAGO		COPYRIGHT 2010 WINNEBAGO INDUSTRIES, INC.	
DFTR	ORIG. DATE	ALL DIMENSIONS ARE IN MILLIMETERS	
CHKR		FIRST USED	
P.E.		09 730C	
M.E.		UNSPECIFIED TOLERANCES ARE:	
DSNR		WHOLE DIM (X) : 3	
		ONE-PLACE (X.X) : 1.5	
		TWO-PLACE (X.XX) : 0.50	
		ANGLE : 1°	
THIRD ANGLE PROJECTION		MATERIAL:	
DO NOT SCALE DRAWING		REFER TO ES0018 FOR FASTENER TIGHTENING GUIDELINES	
TITLE: DRAINAGE SYSTEM INSTL			
SHEET 1 OF 5		PART NO	165353
REF:		REV	

(X-X)
FOR
DRAINAGE
CALLOUTS
SEE DWG NO
116229-01-000



VIEW A



VIEW B

FIRST USED	09 730C	
TITLE	DO NOT SCALE DRAWING	
SHEET 2	PART NO 165353	REV

SINK-LAV
156661-01-CHT
STRAINER ASM
106116-01-CHT
STRAINER GASKET
106116-02-CHT
SEAL
91255-02-000

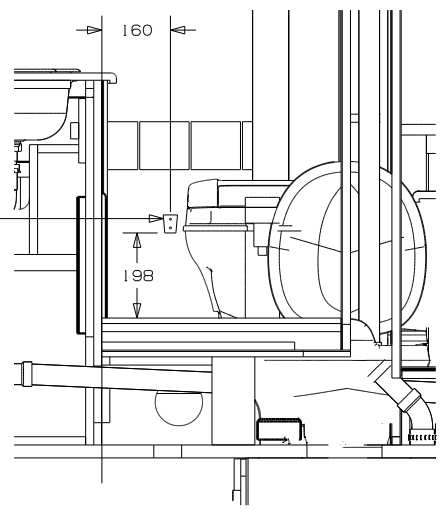
TOILET
(SEE TAB)

FLANGE-CLOSET
151541-01-000

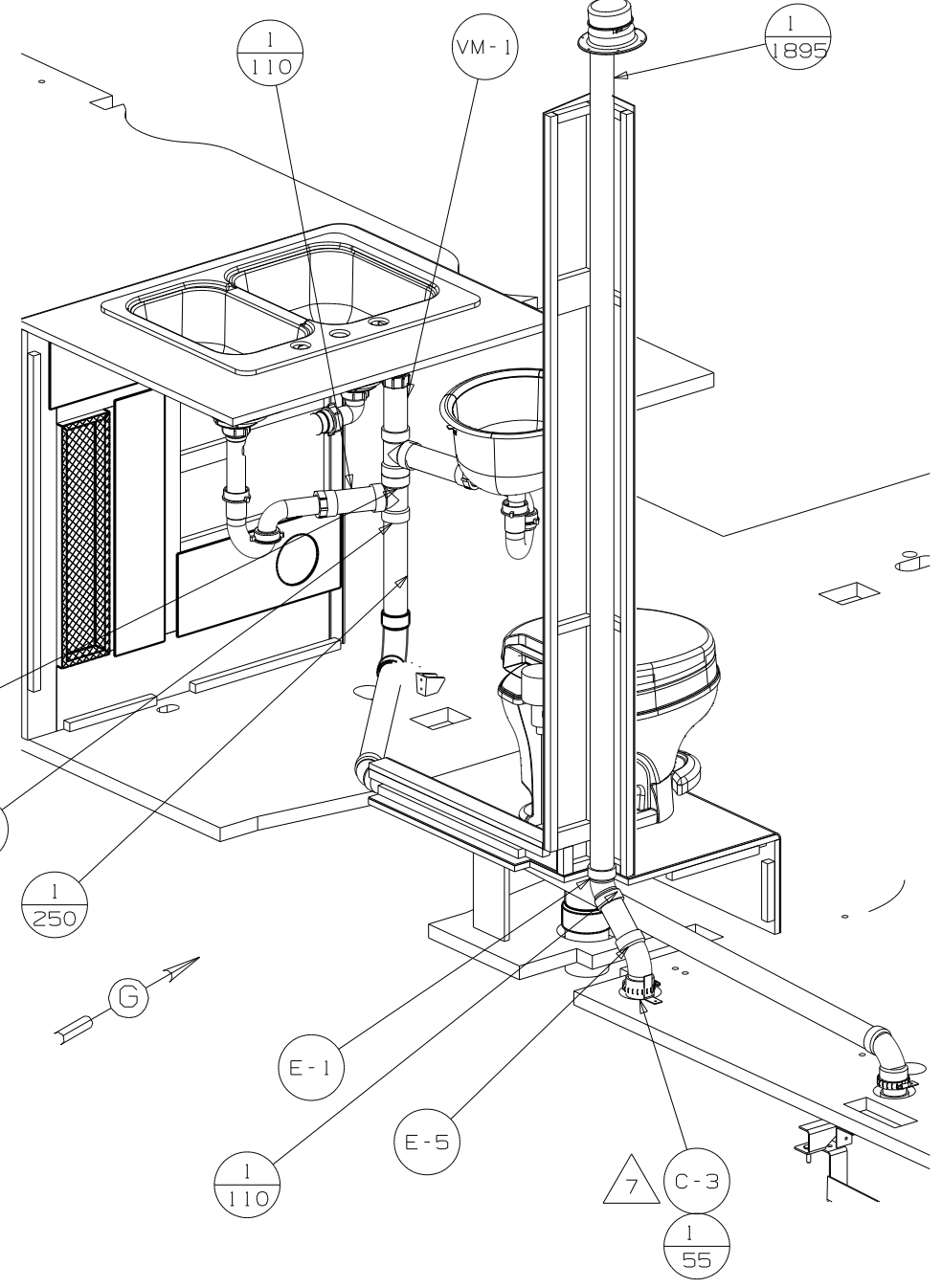
- P-1 (1B1)
- P-3 (265)
- A-15 (1B1)

VIEW C

TOILET SPRAY
MOUNTING BRACKET



VIEW G



VIEW D

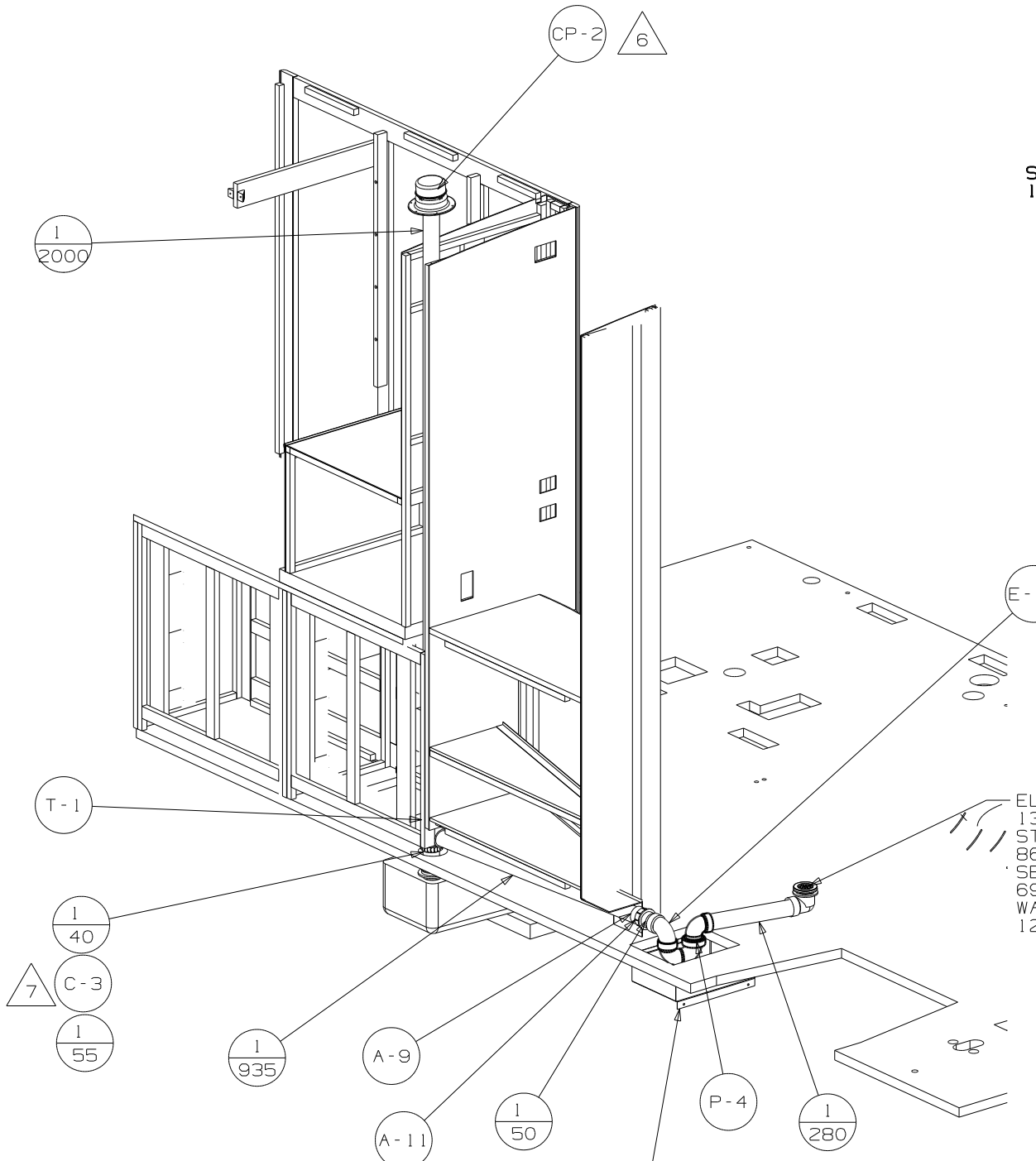
FIRST USED	09 730C	
TITLE	DO NOT SCALE DRAWING	
TITLE	DRAINAGE SYSTEM INSTL	
SHEET 3	PART NO 165353	REV

8 7 6 5 4 3 2 1

8 7 6 5 4 3 2 1

D
C
B
A

D
C
B
A

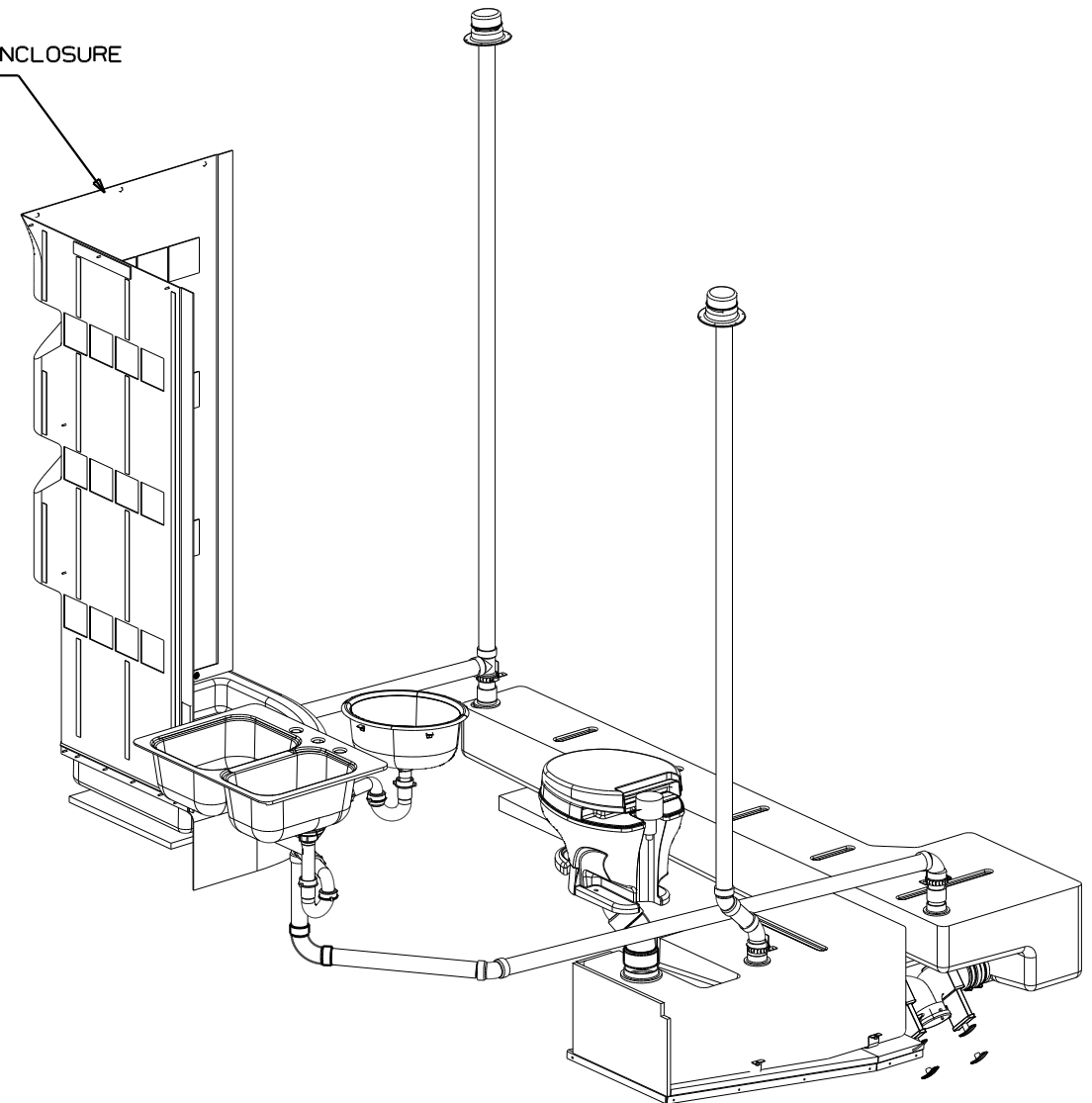


SHOWER INSTL - ENCLOSURE
168115-05-000

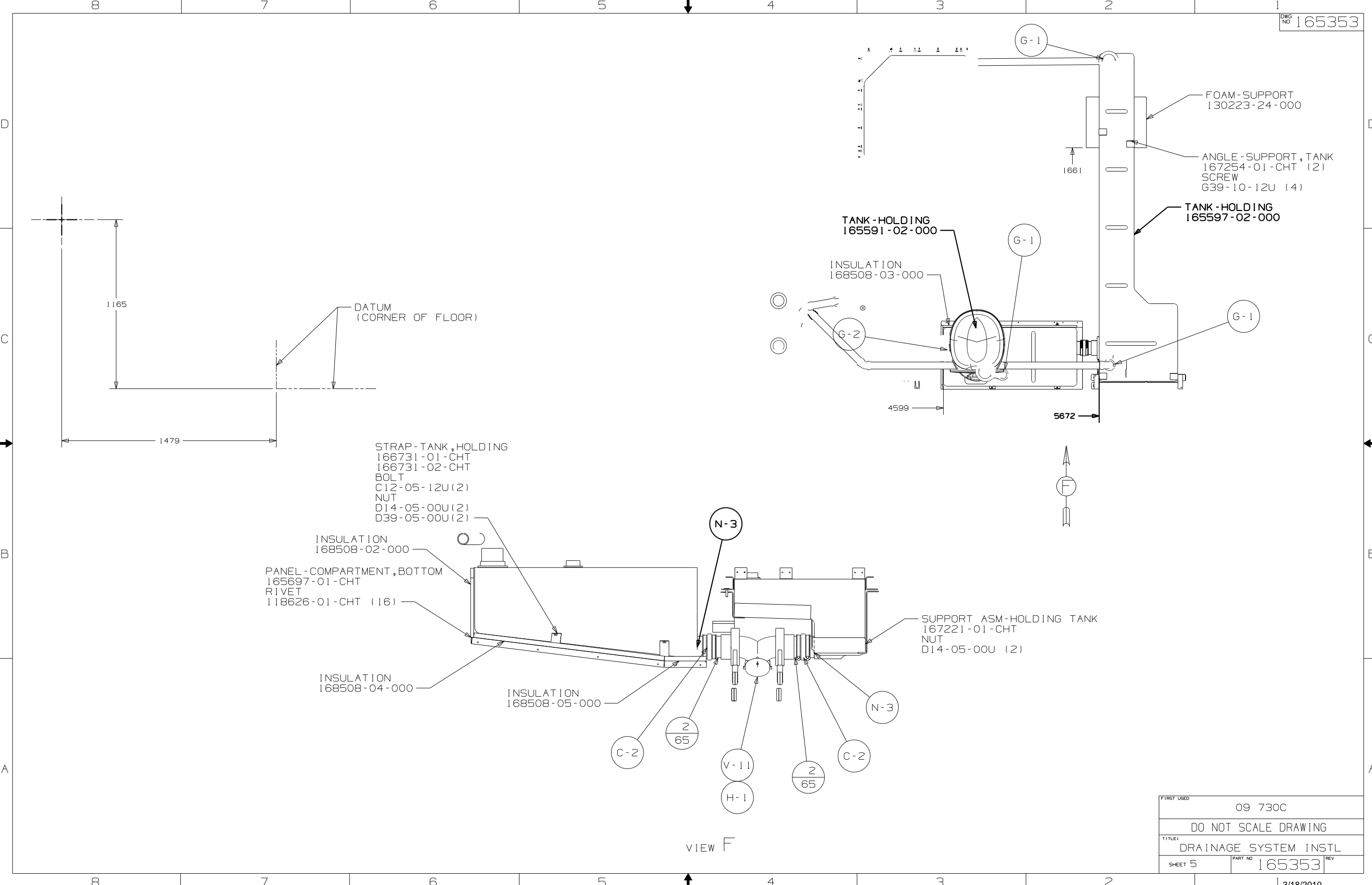
- ELBOW
131486-01-000
- STRAINER
86440-01-000
- SEALER
69640-01-000
- WASHER - RUBBER
127440-02-CHT

- CLOSEOUT - PTRAP
155526-02-CHT
- SCREW
G67-10-10U (2)
- G39-10-08U (2)

VIEW E



FIRST USED	09 730C	
TITLE	DO NOT SCALE DRAWING	
	DRAINAGE SYSTEM INSTL	
SHEET 4	PART NO	165353
	REV	



DATUM
(CORNER OF FLOOR)

INSULATION
168508-02-000

PANEL - COMPARTMENT, BOTTOM
165697-01-CHT
RIVET
118626-01-CHT (16)

INSULATION
168508-04-000

INSULATION
168508-05-000

TANK - HOLDING
165591-02-000

INSULATION
168508-03-000

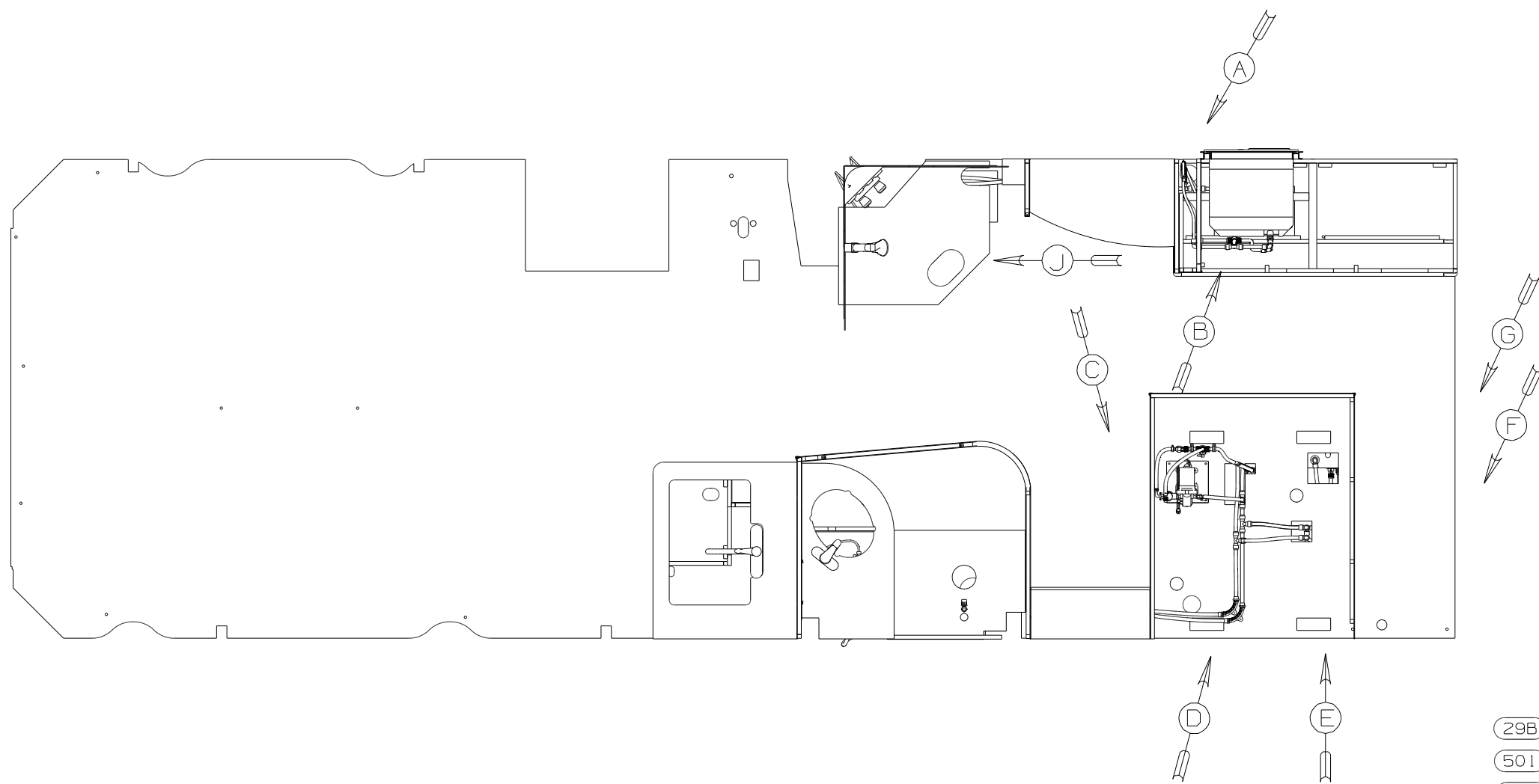
FOAM - SUPPORT
130223-24-000

ANGLE - SUPPORT, TANK
167254-01-CHT (2)
SCREW
G39-10-12U (4)

TANK - HOLDING
165597-02-000

SUPPORT ASM - HOLDING TANK
167221-01-CHT
NUT
D14-05-00U (2)

FIRST USED	09 730C	
TITLE	DO NOT SCALE DRAWING	
TITLE	DRAINAGE SYSTEM INSTL	
SHEET 5	PART NO 165353	REV



- (29B) WATER PURIFIER
- (501) WATER PURIFIER WITHOUT
- (64R) EXTERIOR WASH STATION
- (1J4) EXT WASH STATION-WITHOUT
- (53B) WTR HTR-6 GAL ELECTRIC/LP GAS
- (53F) WATER HEATER-ELEC.IGNITION
- (54E) WATER SYS WINTERIZATION PKG
- (1H6) AIR SPRINGS-WITHOUT

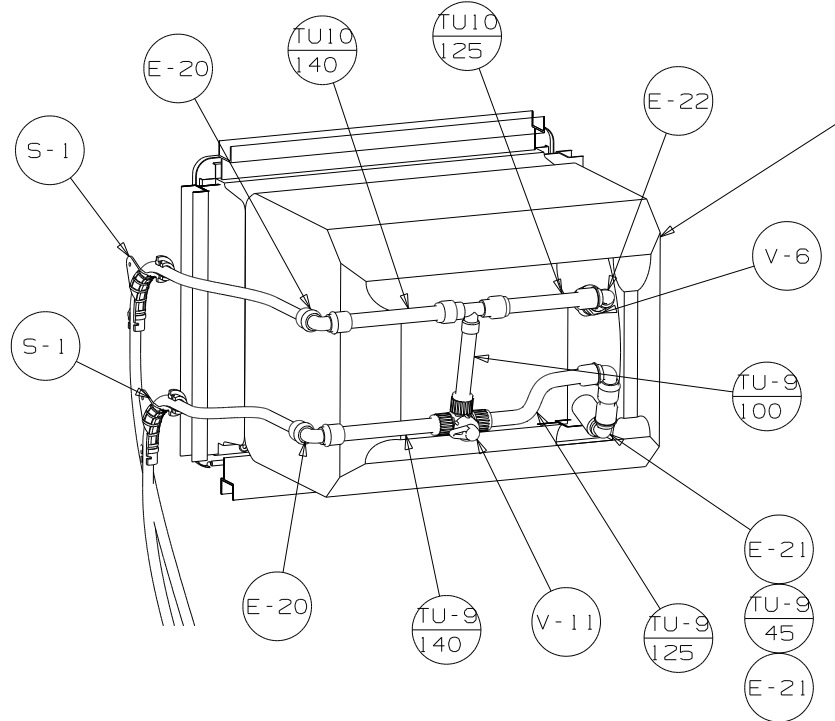
- 7 ADD PIPE WRAP (LADDER SCRAP 110157-02-000) INSULATION.
- 6 ADD TEFLON TAPE 10405-03-000.
- 5 ADD TEFLON TAPE 10405-02-000.
- 4 ADD TEFLON TAPE 10405-01-000.

- 3. ALL TUBING TO BE SECURED AT 1200 INTERVALS MAXIMUM WITH CLAMP 10495-01-000 AND SCREW G67-10-12B OR EQUIVALENT.
- 2. TUBING TO BE INSTALLED WITH SUFFICIENT SLOPE TO PROVIDE DRAINAGE TO NEAREST VALVE.
- 1. PLASTIC FITTINGS TO BE SEALED WITH SEALANT 84456-01-000.

NOTES:

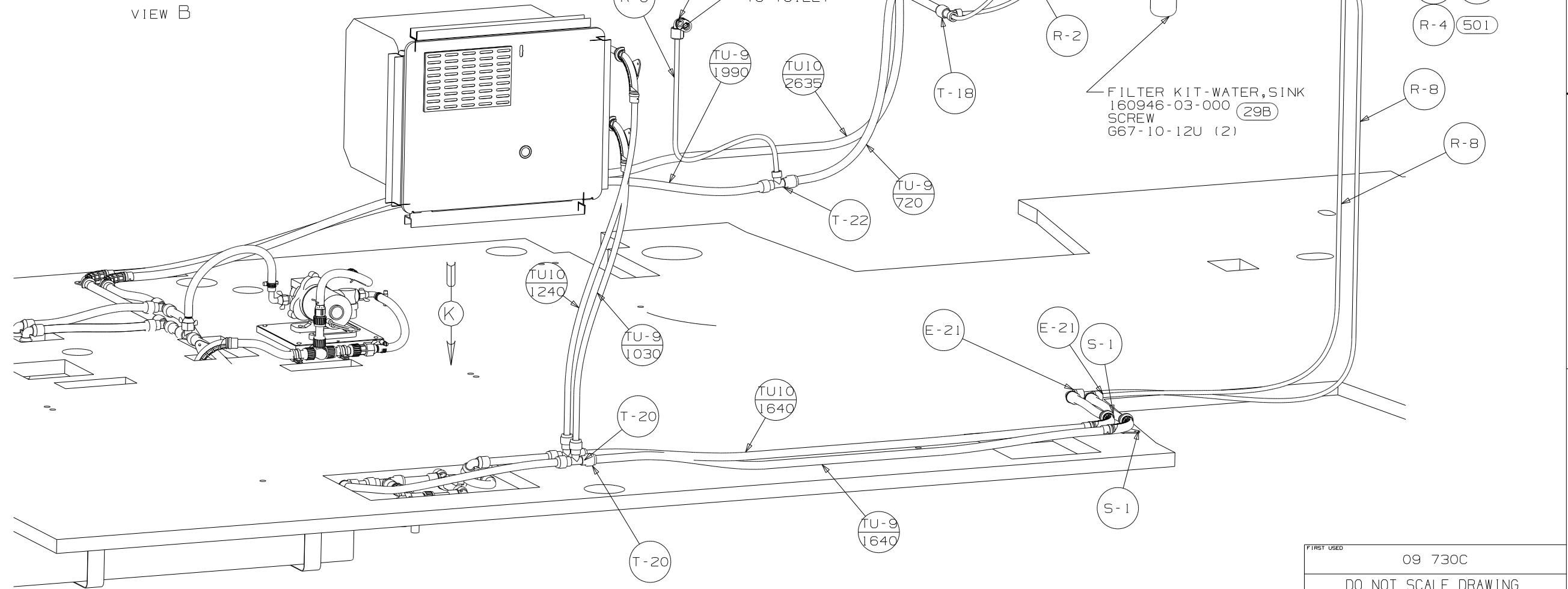
(X-X)
FOR
WATER
CALLOUTS
SEE DWG NO
116230-01-000

WINNEBAGO		COPYRIGHT 2010 WINNEBAGO INDUSTRIES, INC.	
DFTR	ORIG. DATE	ALL DIMENSIONS ARE IN MILLIMETERS	
CHKR		FIRST USED	
P.E.		09 730C	
M.E.		UNSPECIFIED TOLERANCES ARE:	
DSNR		WHOLE DIM (X.X) : 3	
		ONE-PLACE (X.X.X) : 1.5	
		TWO-PLACE (X.XX) : 0.50	
		ANGLE : 1°	
THIRD ANGLE PROJECTION		MATERIAL:	
DO NOT SCALE DRAWING		REFER TO ES0018 FOR FASTENER TIGHTENING GUIDELINES	
TITLE: WATER SYSTEM INSTL			
SHEET 1 OF 5	PART NO	165359	REV
REF:	1 4/28/2010		



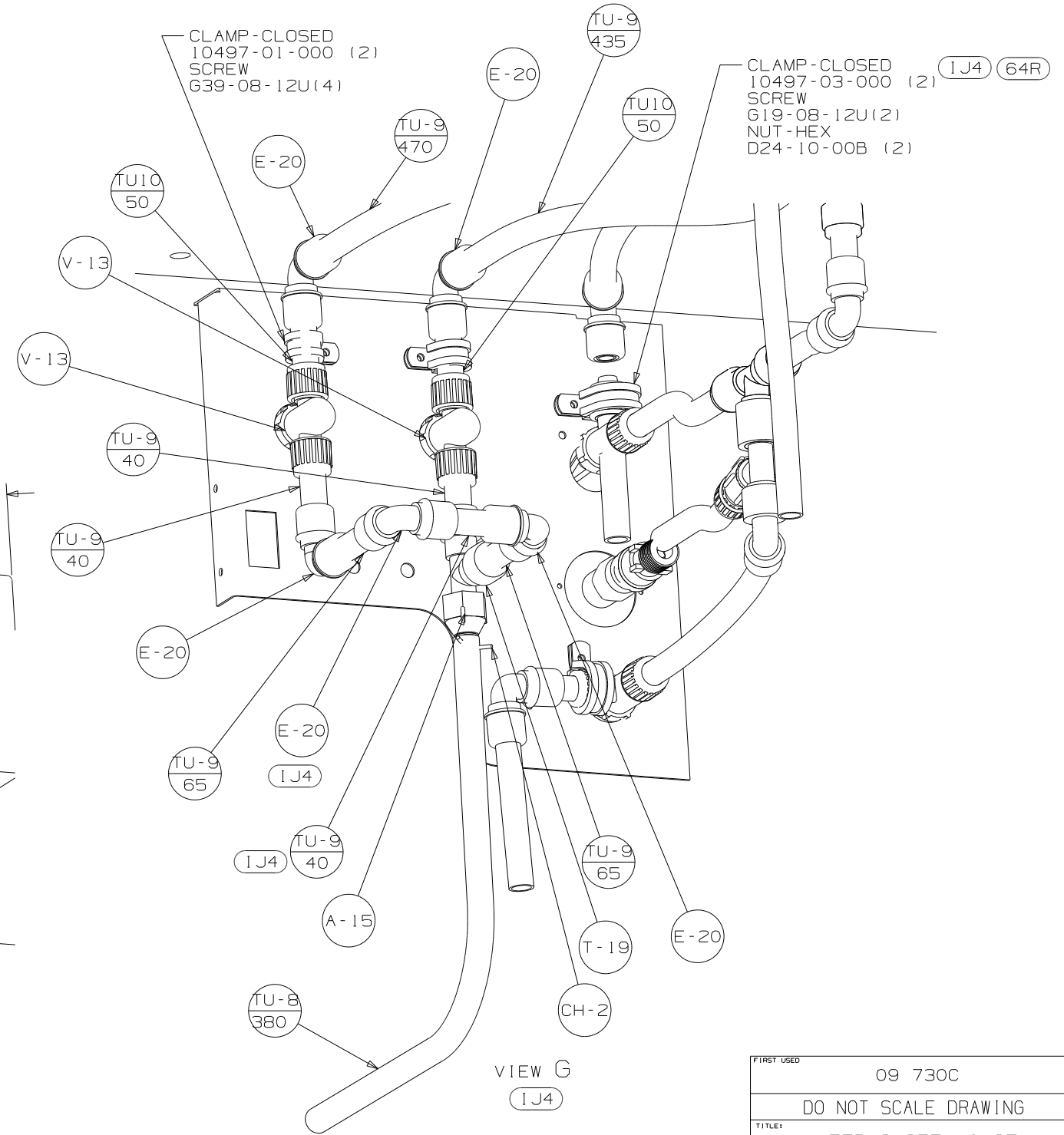
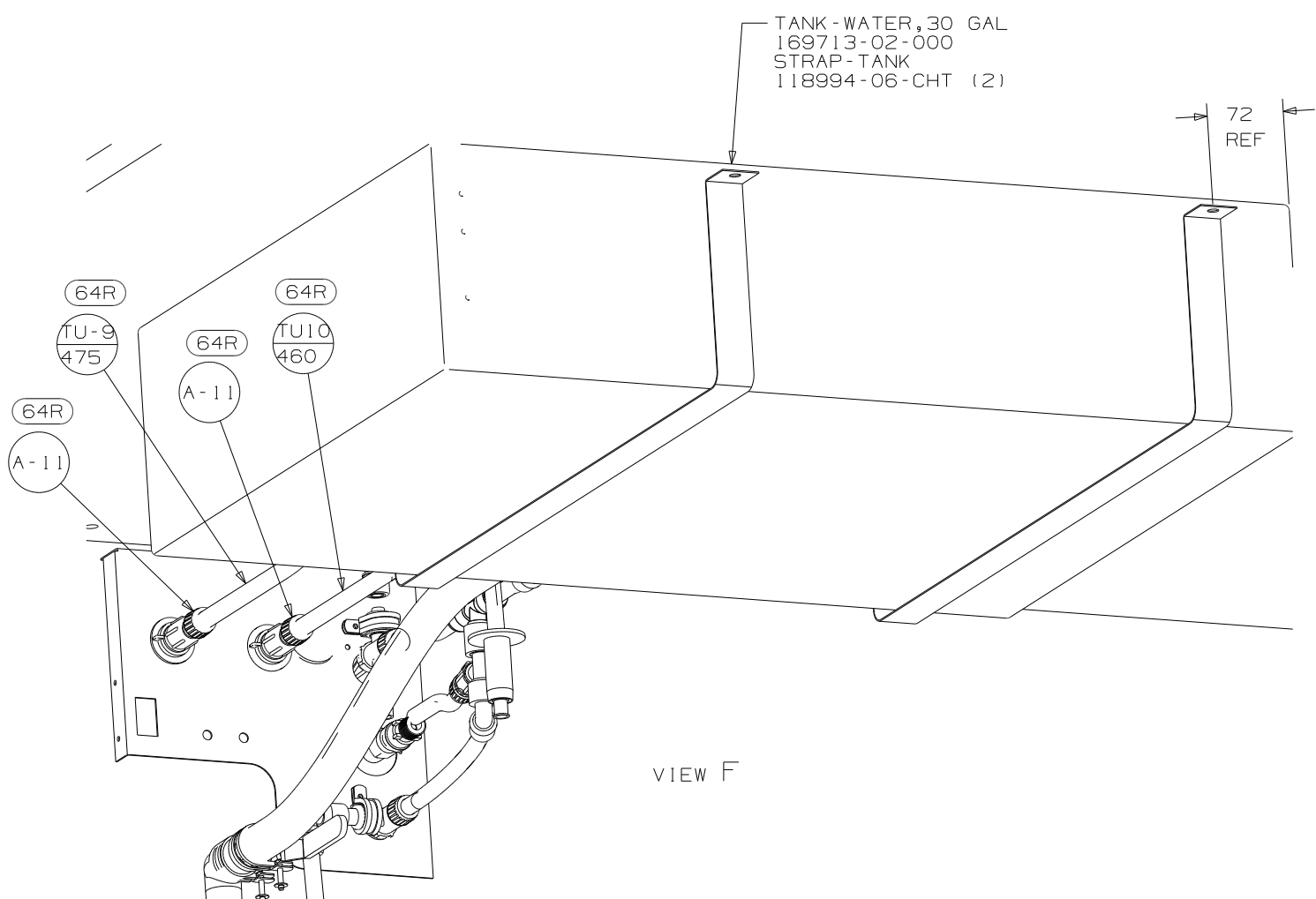
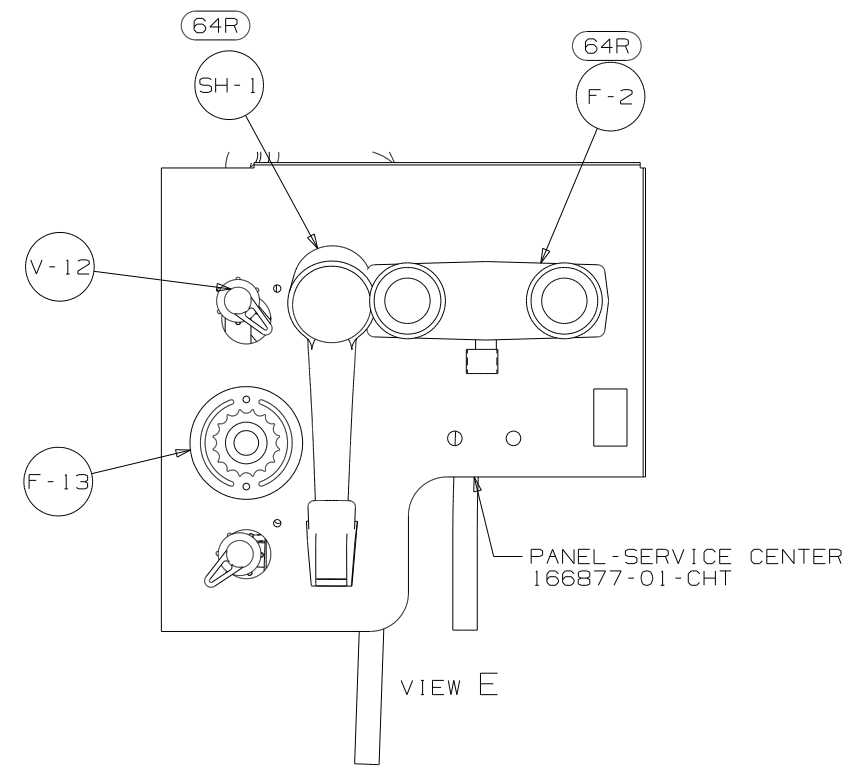
- WATER HEATER (53F)
- 51391-03-000
- 145541-02-000 (53B)
- DOOR
- 125420-06-CHT
- FLANGE
- 152239-01-CHT
- EXTR
- 165959-51-002 (2)
- 165959-51-004 (2)
- SCREW
- G39-10-169 (16)
- SEALANT
- 69640-14-000
- 112864-01-000
- CABLE
- 76767-03-000
- SCREW
- G11-06-08B (2)

VIEW B

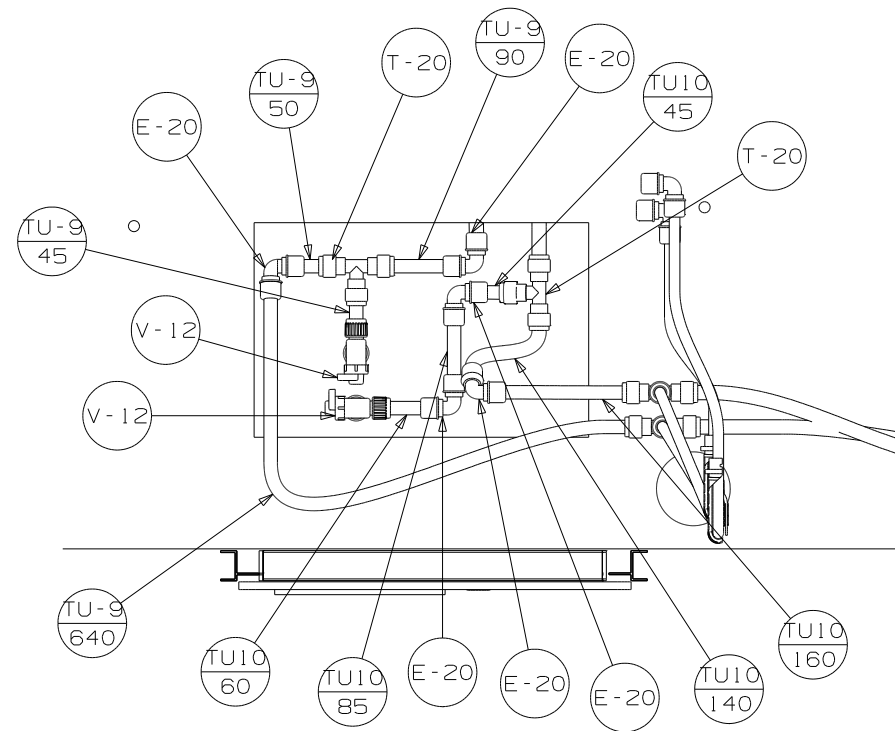


VIEW A

FIRST USED	09 730C	
TITLE	DO NOT SCALE DRAWING	
SHEET 2	PART NO	165359
REV		



FIRST USED	09 730C
DO NOT SCALE DRAWING	
TITLE	WATER SYSTEM INSTL
SHEET 4	PART NO 165359 REV



VIEW K

FIRST USED	09 730C		
DO NOT SCALE DRAWING			
TITLE:	WATER SYSTEM INSTL		
SHEET 5	PART NO	165359	REV