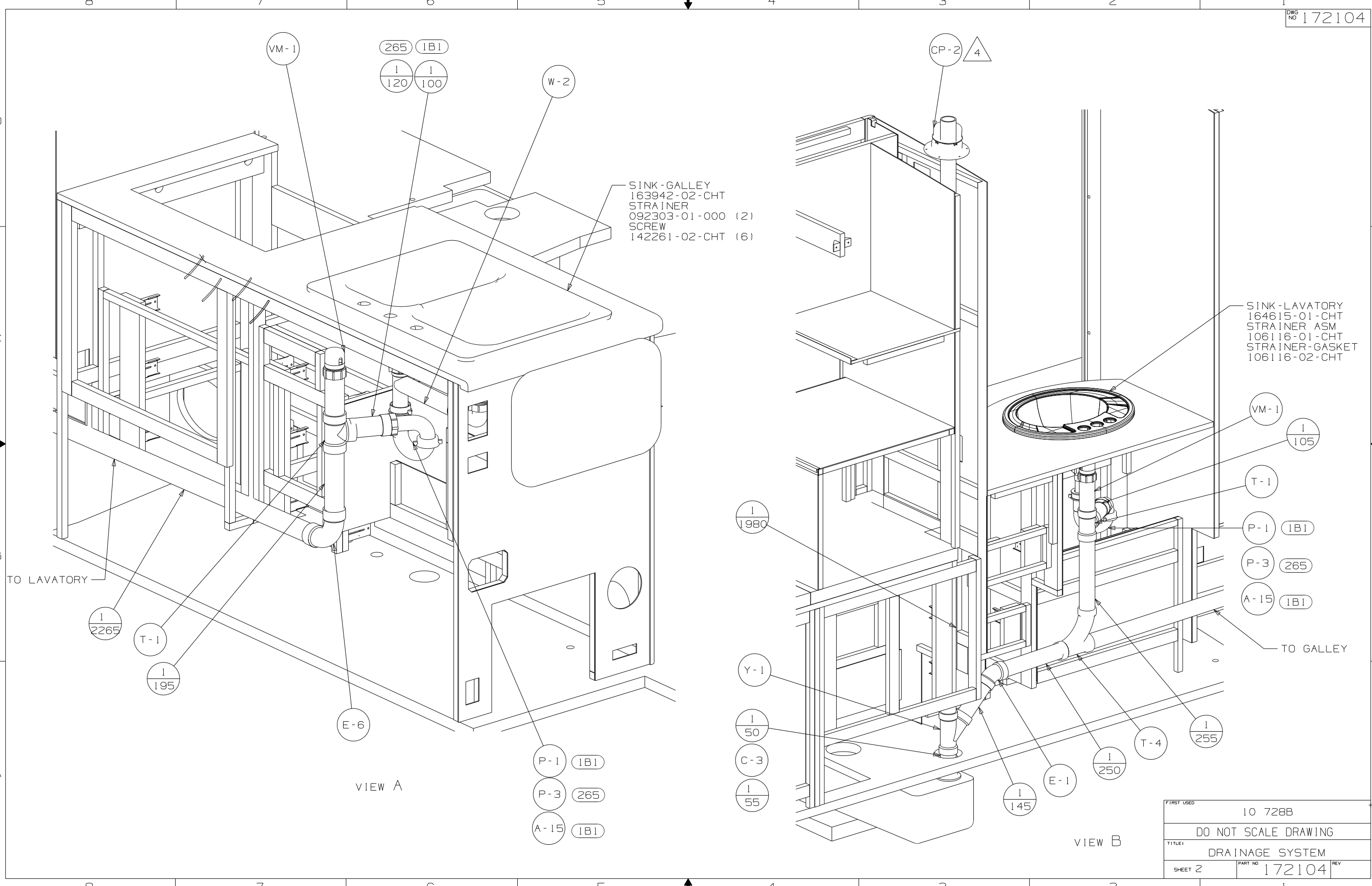


- 7. WATERLESS P-TRAP MUST BE INSTALLED WITH RIBS POINTING DOWN.
- 6. ROTATED TOILET TO MAXIMIZE ROOM WHILE ALLOWING LID TO REMAIN IN THE UPRIGHT POSITION.
- 5. SEAL AROUND SHOWER WITH SILICONE.
- 4. VENT PIPE MUST PROJECT 51 MIN AND 64 MAX ABOVE ROOF FOR PROPER FIT AND FUNCTION.
- 3. ALL PIPE AND FITTINGS TO BE ASSEMBLED WITH SOLVENT 004020-01-000 (US), 004020-02-000 (CAN).
- 2. SLOPE OF TRAP ARM MUST BE 6 PER 305 mm.
- 1. SLOPE OF HORIZONTAL PIPING TO BE MIN 3 PER 305 mm.

NOTES:

(X-X)
FOR DRAINAGE CALLOUTS SEE DWG NO 116229-01-000

WINNEBAGO		COPYRIGHT 2010 WINNEBAGO INDUSTRIES, INC.	
DFTR	ORIG. DATE	ALL DIMENSIONS ARE IN MILLIMETERS	
CHKR		10 728B	
P.E.		UNSPECIFIED TOLERANCES ARE:	
M.E.	FIRST USED	WHOLE DIM (X.X)	: 3
DSNR		ONE-PLACE (X.X)	: 1.5
		TWO-PLACE (X.XX)	: 0.50
		ANGLE	: 1°
THIRD ANGLE PROJECTION		MATERIAL:	
DO NOT SCALE DRAWING		REFER TO ES0018 FOR FASTENER TIGHTENING GUIDELINES	
TITLE: DRAINAGE SYSTEM			
SHEET 1 OF 4	PART NO	172104	REV
REF:	1 5/18/2010		



SINK - GALLEY
 163942-02-CHT
 STRAINER
 092303-01-000 (2)
 SCREW
 142261-02-CHT (6)

SINK - LAVATORY
 164615-01-CHT
 STRAINER ASM
 106116-01-CHT
 STRAINER-GASKET
 106116-02-CHT

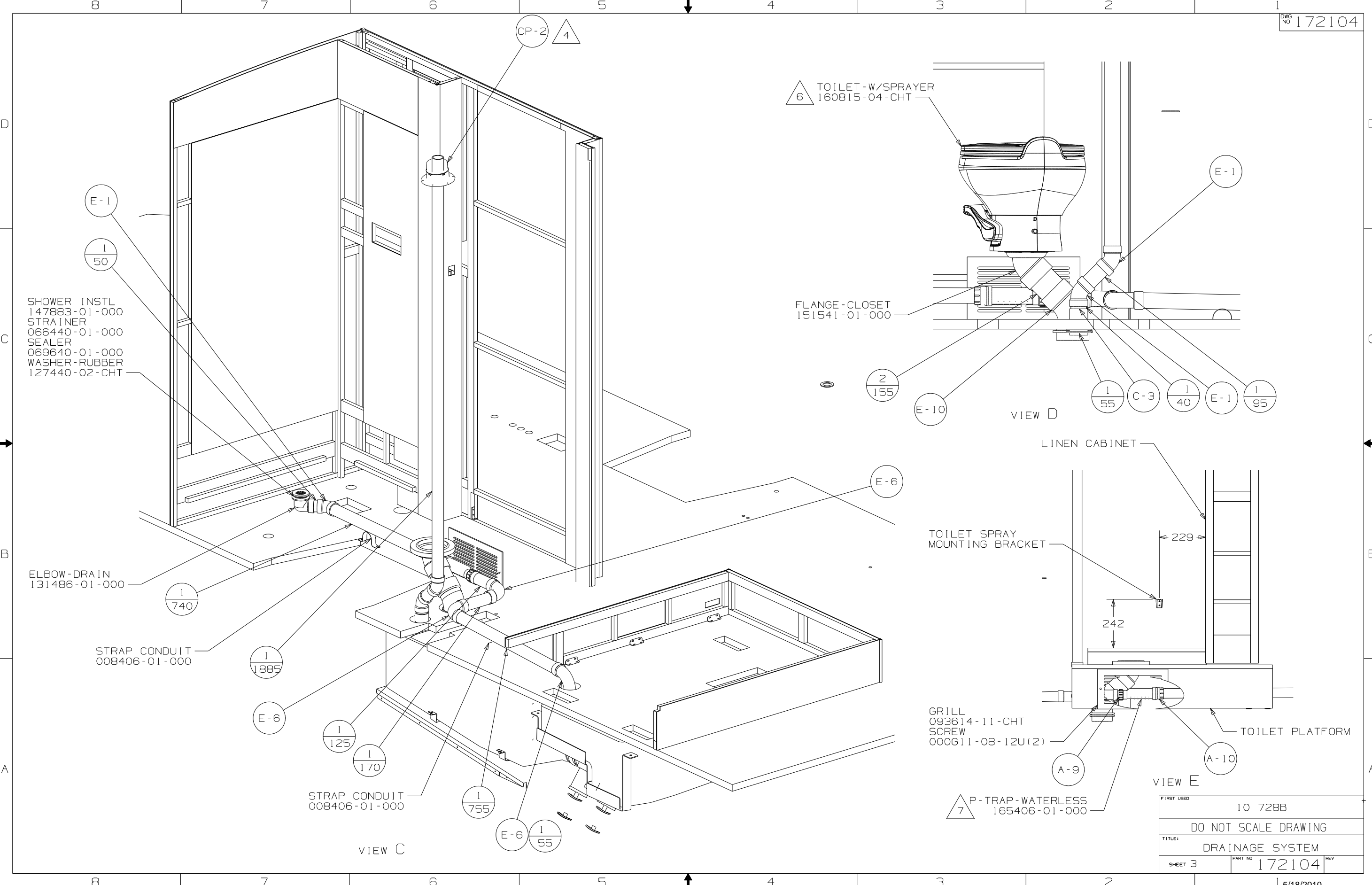
TO LAVATORY

TO GALLEY

VIEW A

VIEW B

FIRST USED	10 728B
DO NOT SCALE DRAWING	
TITLE:	DRAINAGE SYSTEM
SHEET 2	PART NO 172104 REV



SHOWER INSTL
147883-01-000
STRAINER
066440-01-000
SEALER
069640-01-000
WASHER-RUBBER
127440-02-CHT

TOILET-W/SPRAYER
160815-04-CHT

FLANGE-CLOSET
151541-01-000

LINEN CABINET

TOILET SPRAY
MOUNTING BRACKET

GRILL
093614-11-CHT
SCREW
000611-08-12U(2)

P-TRAP-WATERLESS
165406-01-000

FIRST USED	10 728B
DO NOT SCALE DRAWING	
TITLE:	DRAINAGE SYSTEM
SHEET 3	PART NO 172104 REV

TANK - ANGLE
167254-01-CHT (2)
SCREW
000639-10-12U(4)

FOAM-SUPPORT
130223-24-000

TANK-HOLDING, 40 GAL
165597-03-000

TANK-HOLDING, 29 GAL
165591-03-000

STRAP-TANK, HOLDING
166731-01-CHT
166731-02-CHT
BOLT
000C12-05-12U(2)
NUT
000D14-05-00U(2)
000D39-05-00U(2)

SUPPORT ASM-HOLDING TANK
167221-01-CHT

INSULATION-DRAINAGE COMPT
168508-01-000

PANEL-BOTTOM
165697-01-CHT
RIVET
118626-01-01A (16)

FRONT AXLE
VEHICLE

DATUM
(CORNER OF FLOOR)

1165

1479

1661

4980

4092

5095

F

N-3

C-2

2/60

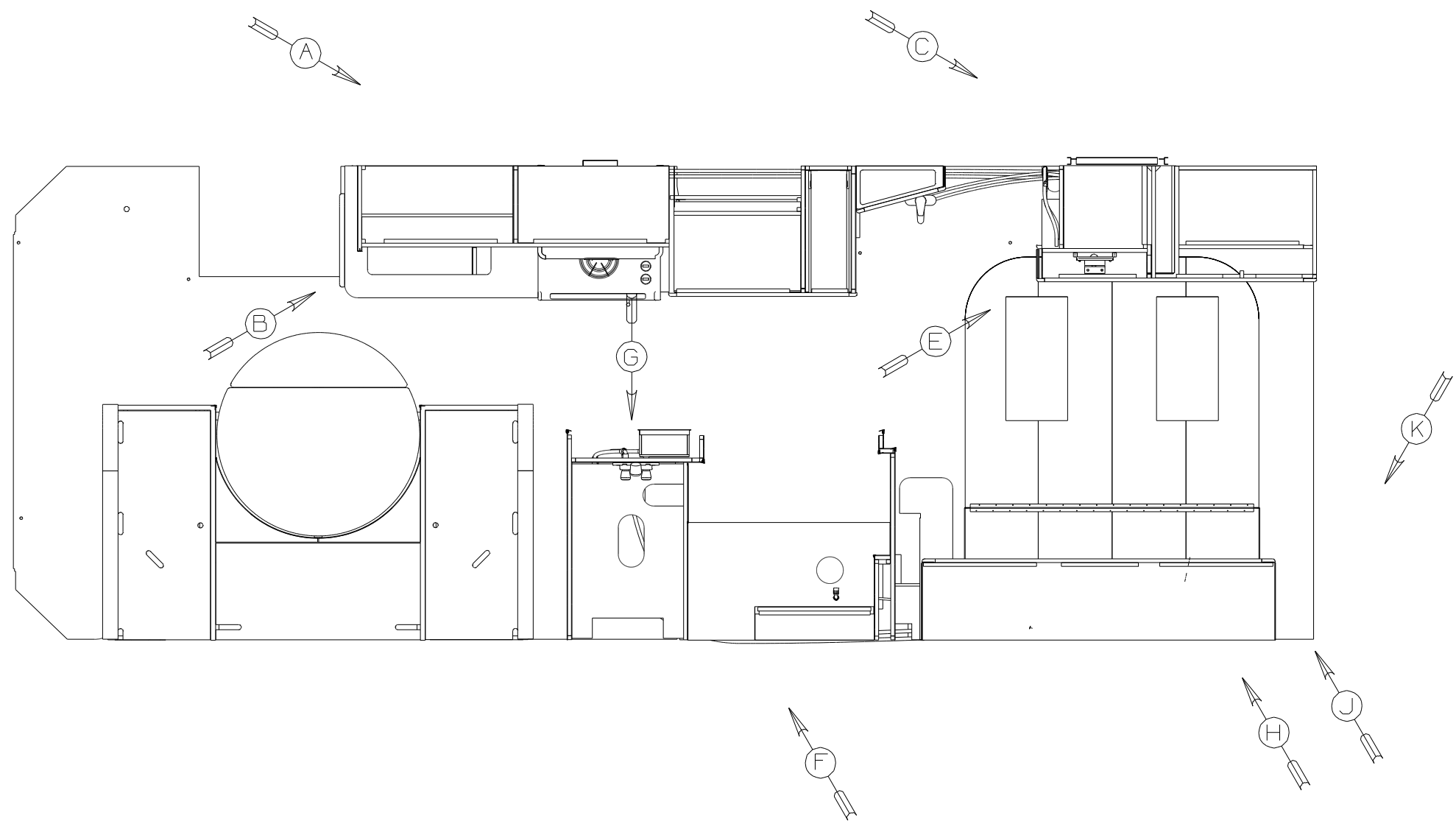
VIEW F

V-11

H-1

N-3

FIRST USED	10 728B
TITLE	DO NOT SCALE DRAWING DRAINAGE SYSTEM
SHEET 4	PART NO 172104 REV



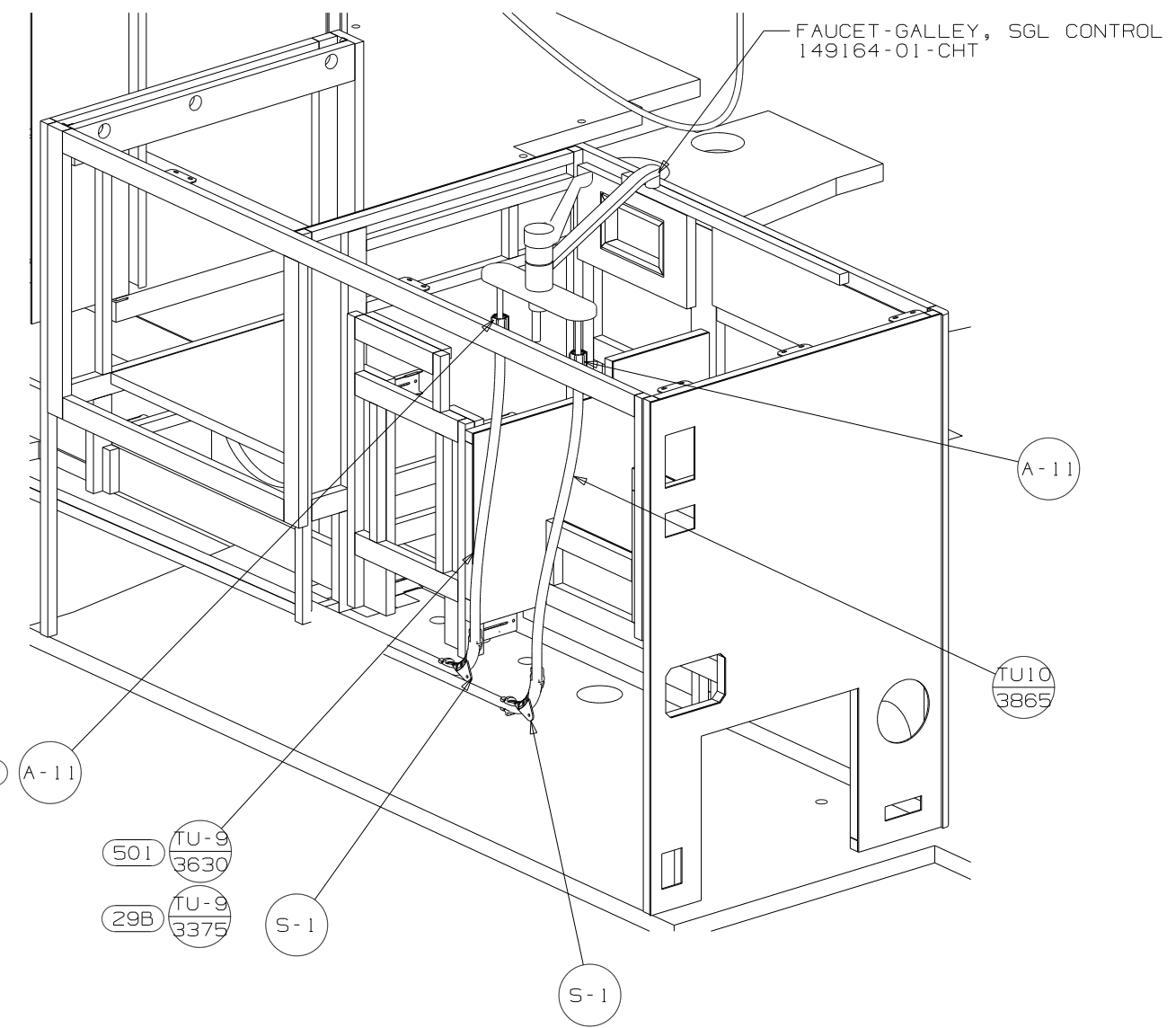
- (53F) WATER HEATER-ELEC. IGNITION
- (53B) WTR HTR-6 GAL ELECTRIC/LP GAS
- (29B) WATER PURIFIER
- (501) WATER PURIFIER-WITHOUT
- (53E) WATER SYS WINTERIZATION PKG
- (64R) EXTERIOR WASH STATION
- (1J4) EXT WASH STATION-WITHOUT
- (1H6) AIR SPRINGS-WITHOUT

- 7 ADD PIPE WRAP (LADDER SCRAP 110157-02-000) INSULATION.
 - 6 ADD TEFLON TAPE 10405-03-000.
 - 5 ADD TEFLON TAPE 10405-02-000.
 - 4 ADD TEFLON TAPE 10405-01-000.
3. ALL TUBING TO BE SECURED AT 1200 INTERVALS MAXIMUM WITH CLAMP 10495-01-000 AND SCREW G67-10-12B OR EQUIVALENT.
 2. TUBING TO BE INSTALLED WITH SUFFICIENT SLOPE TO PROVIDE DRAINAGE TO NEAREST VALVE.
 1. PLASTIC FITTINGS TO BE SEALED WITH SEALANT 84456-01-000.

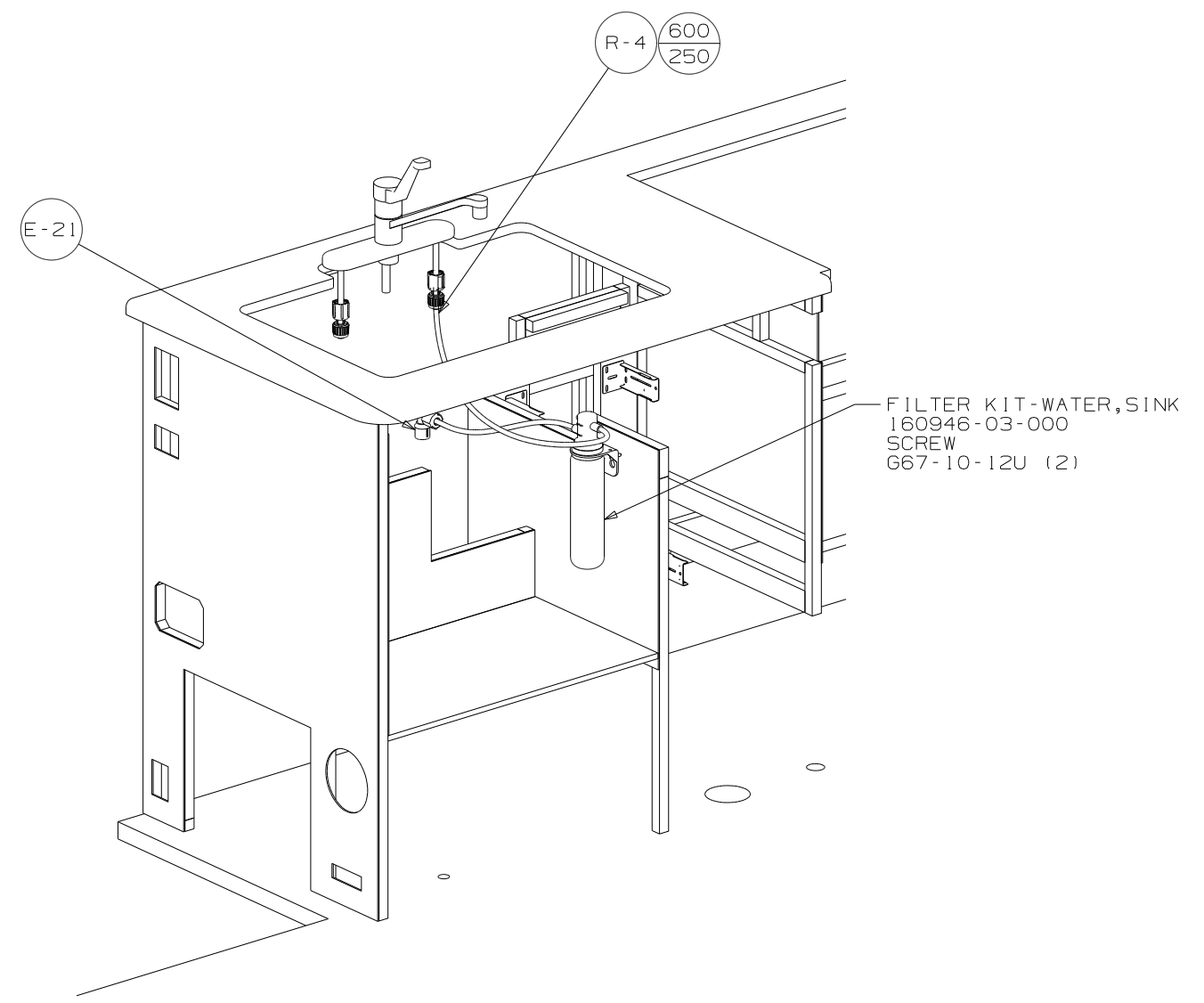
NOTES:

WINNEBAGO		COPYRIGHT 2009 WINNEBAGO INDUSTRIES, INC.	
DFTR	ORIG. DATE	ALL DIMENSIONS ARE IN MILLIMETERS	
CHKR		FIRST USED	
P.E.		09 728B	
M.E.		UNSPECIFIED TOLERANCES ARE:	
DSNR		MATERIAL:	
		WHOLE DIM (X)	: 3
		ONE-PLACE (X.X)	: 1.5
		TWO-PLACE (X.XX)	: 0.50
		ANGLE	: 1°
THIRD ANGLE PROJECTION		DO NOT SCALE DRAWING	
TITLE: WATER SYSTEM INSTL			
SHEET 1 OF 7	PART NO	165328	REV
REF:	1 10/23/2009		

(X-X)
FOR
WATER
CALLOUTS
SEE DWG NO
116230-01-000



VIEW A

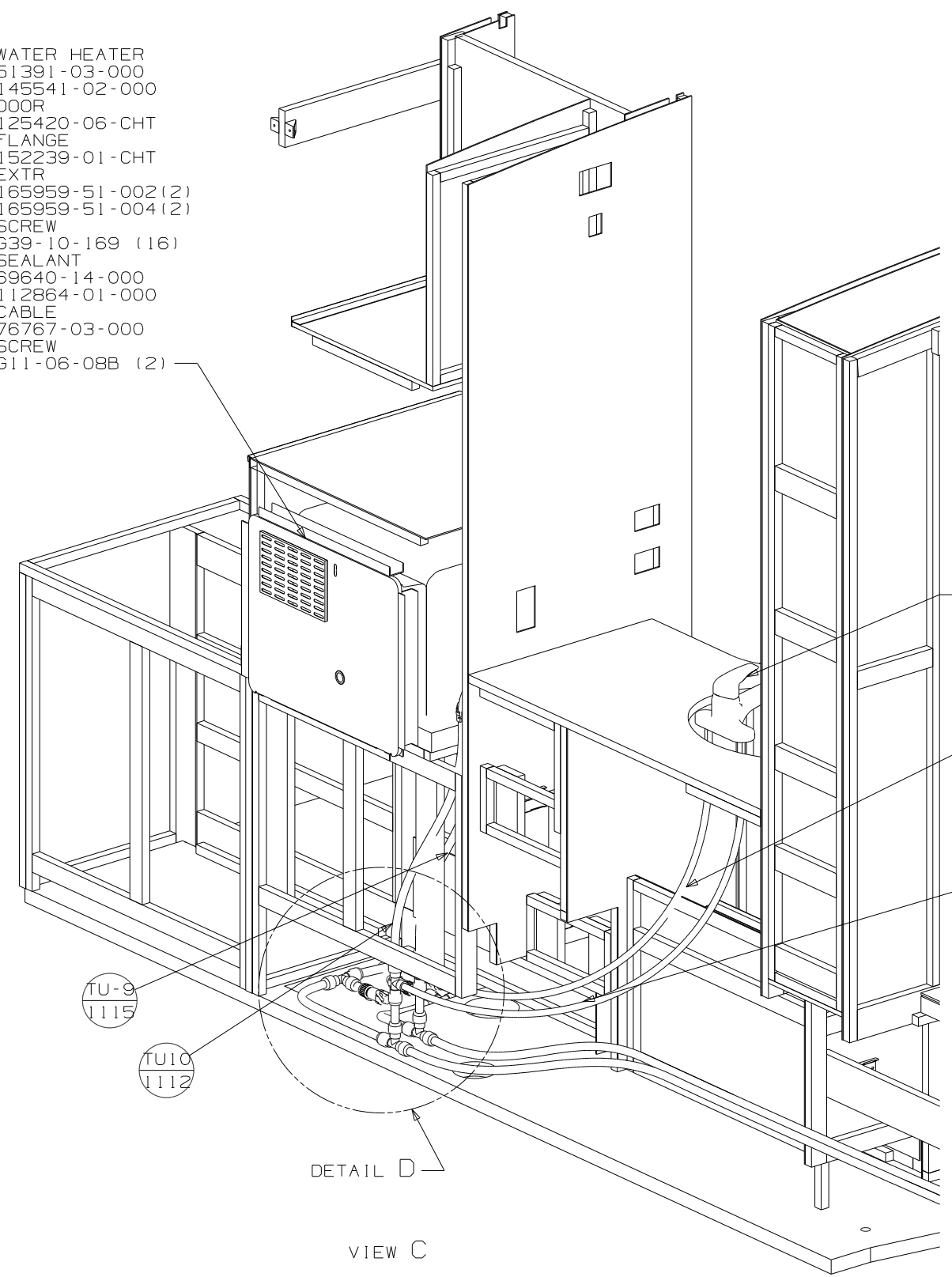


VIEW B

29B

FIRST USED	09 728B
DO NOT SCALE DRAWING	
TITLE:	WATER SYSTEM INSTL
SHEET 2	PART NO 165328 REV

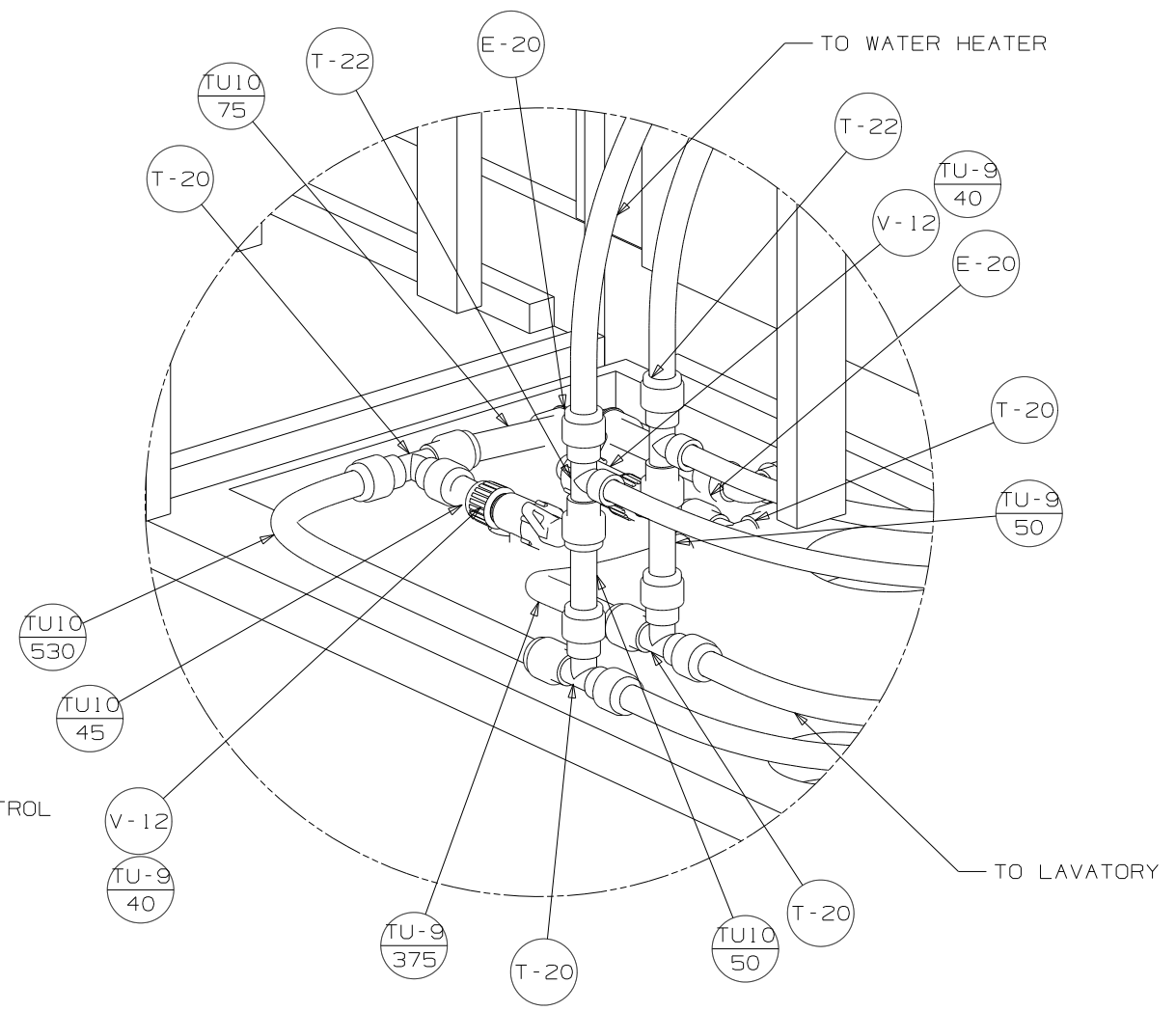
- (53F) WATER HEATER
- 51391-03-000
- (53B) 145541-02-000
- DOOR
- 125420-06-CHT
- FLANGE
- 152239-01-CHT
- EXTR
- 165959-51-002(2)
- 165959-51-004(2)
- SCREW
- G39-10-169 (16)
- SEALANT
- 69640-14-000
- 112864-01-000
- CABLE
- 76767-03-000
- SCREW
- G11-06-08B (2)



VIEW C

DETAIL D

FAUCET - LAV, SNL CONTROL
165730-01-CHT

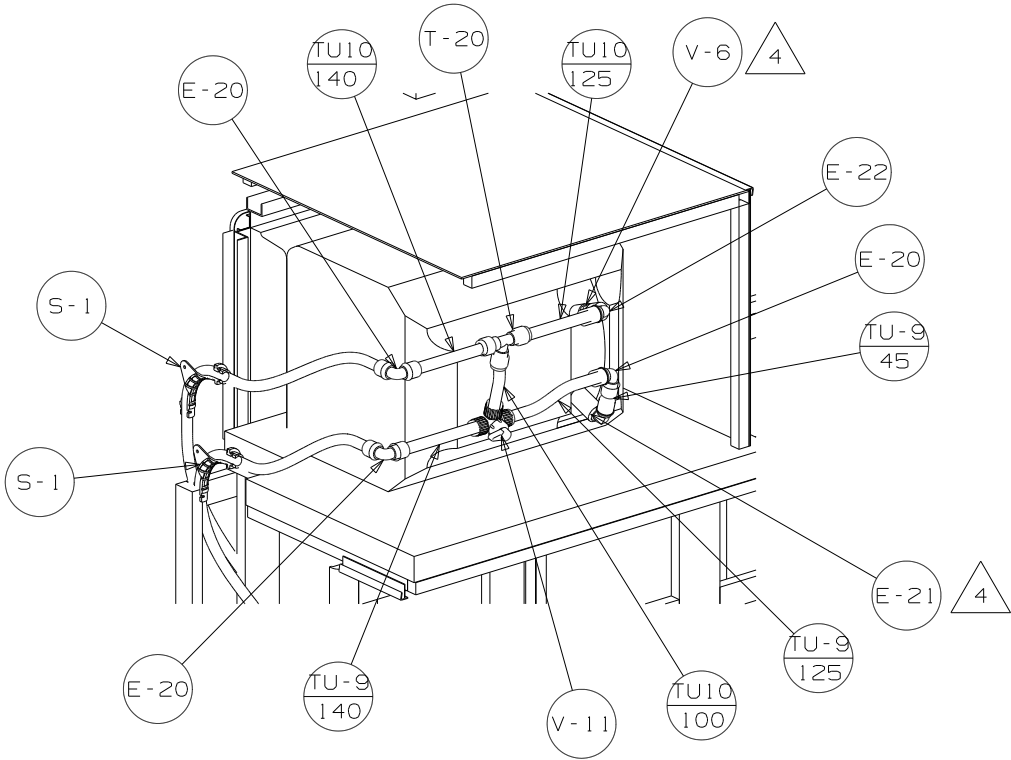


DETAIL D

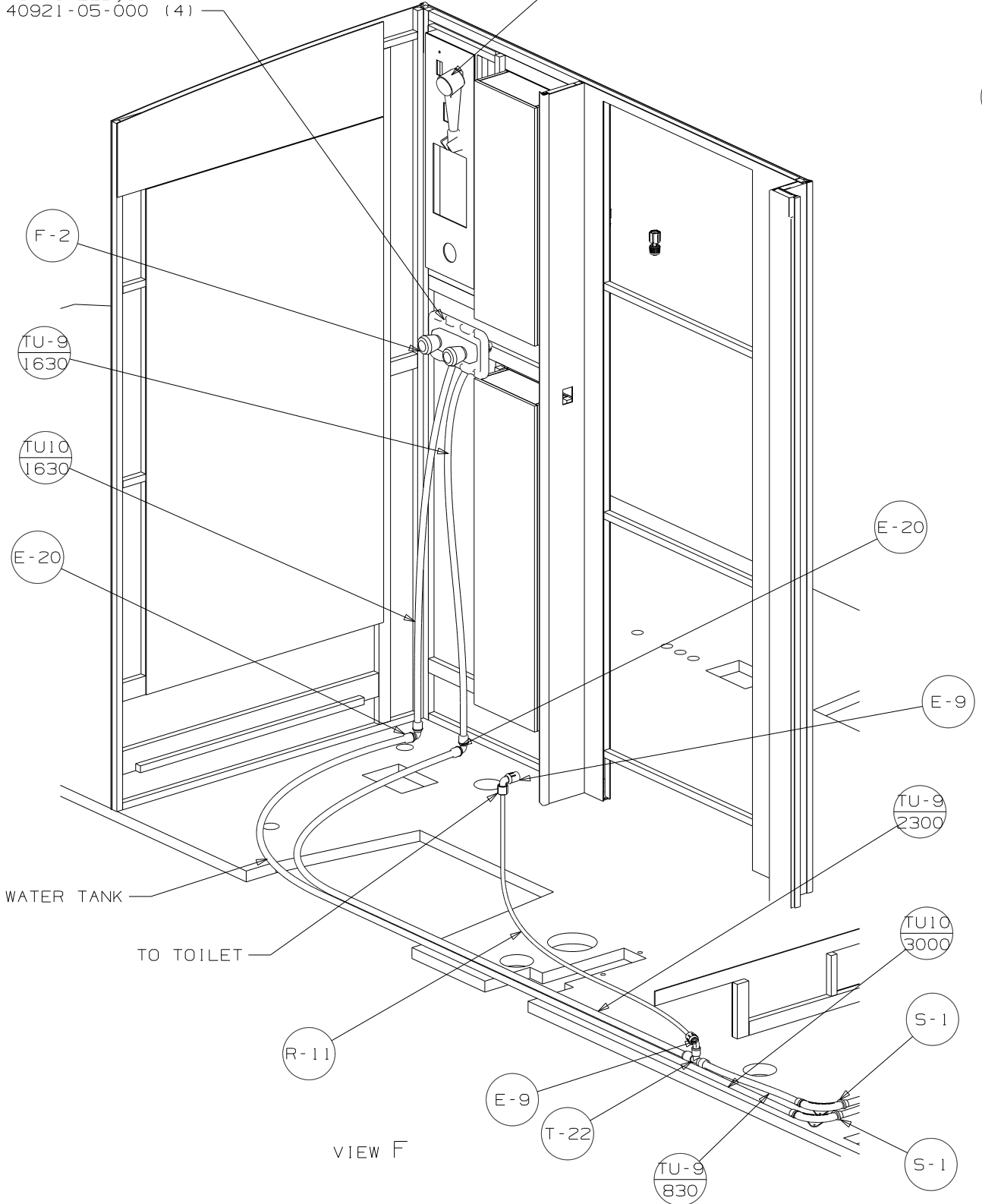
FIRST USED	09 728B		
TITLE	DO NOT SCALE DRAWING		
	WATER SYSTEM INSTL		
SHEET 3	PART NO	165328	REV

PANEL-SHOWER FAUCET
167738-02-CHT
SCREW
G11-08-12U (4)
COVER
166569-01-CHT
NUT-SPEED,U
40921-05-000 (4)

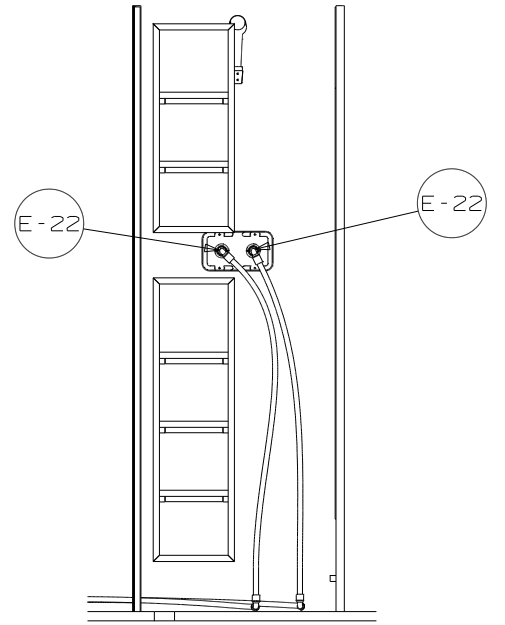
SHOWER HEAD
129390-04-CHT



VIEW E

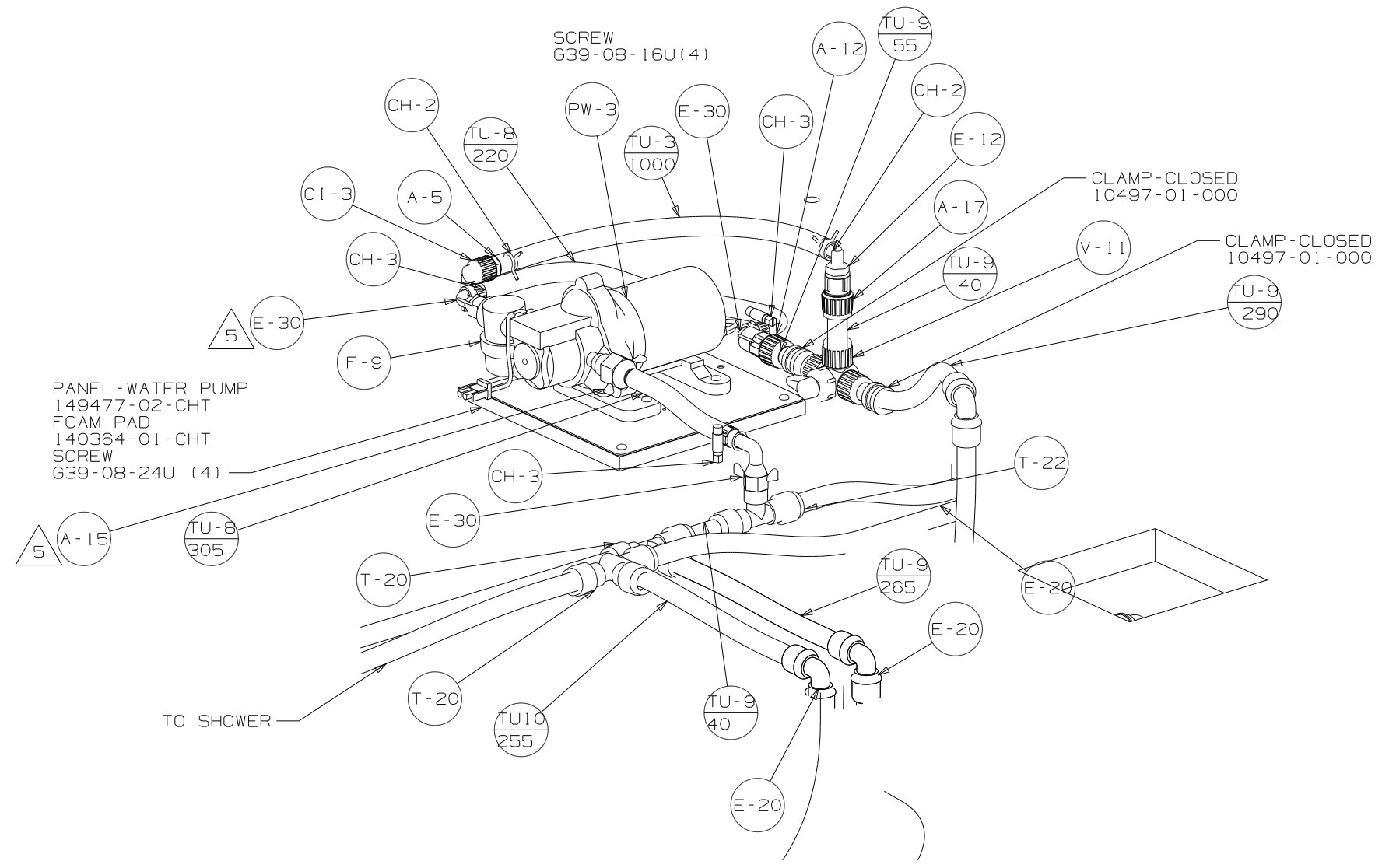


VIEW F



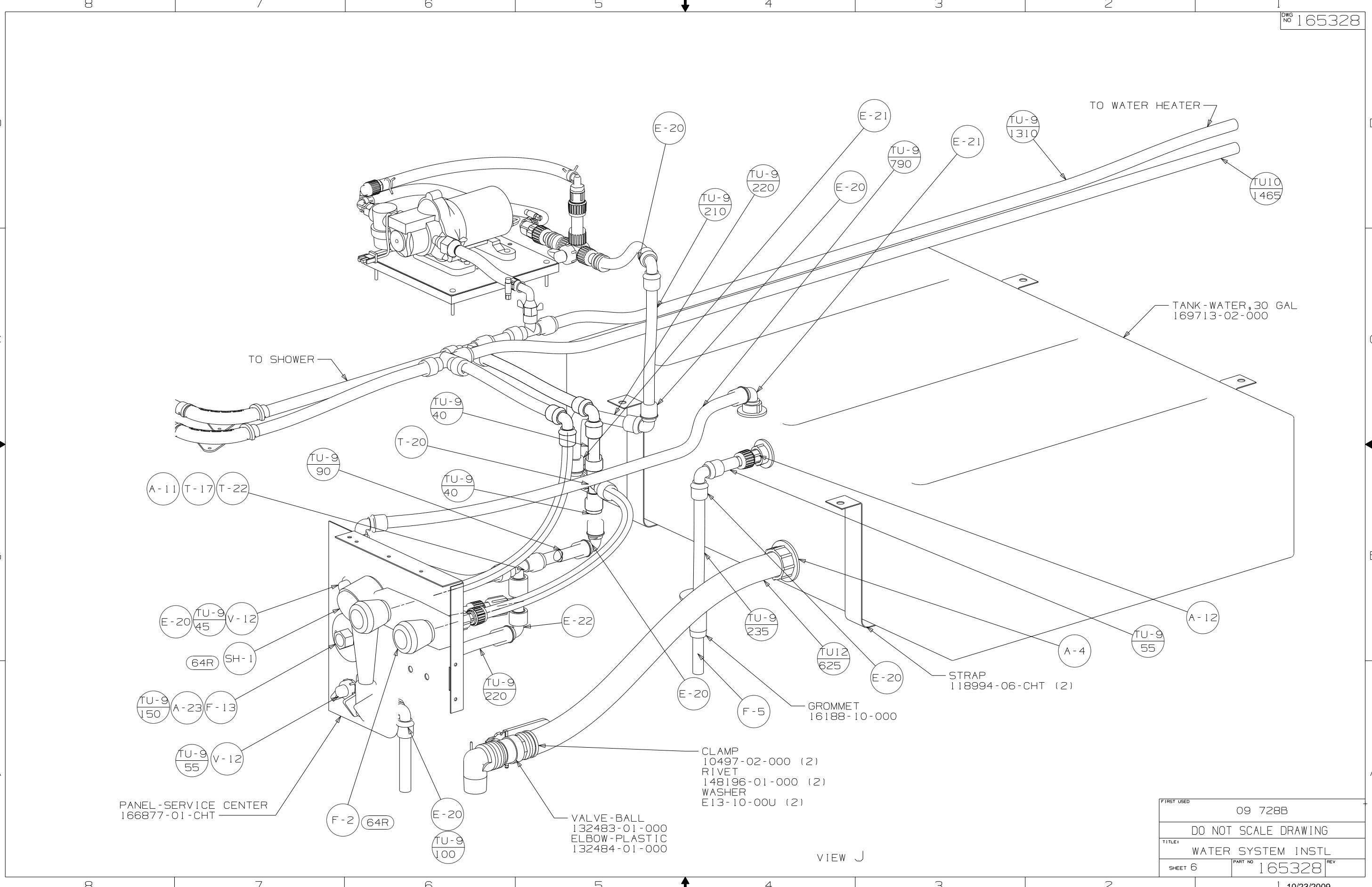
VIEW G

FIRST USED	09 728B
DO NOT SCALE DRAWING	
TITLE:	WATER SYSTEM INSTL
SHEET 4	PART NO 165328 REV



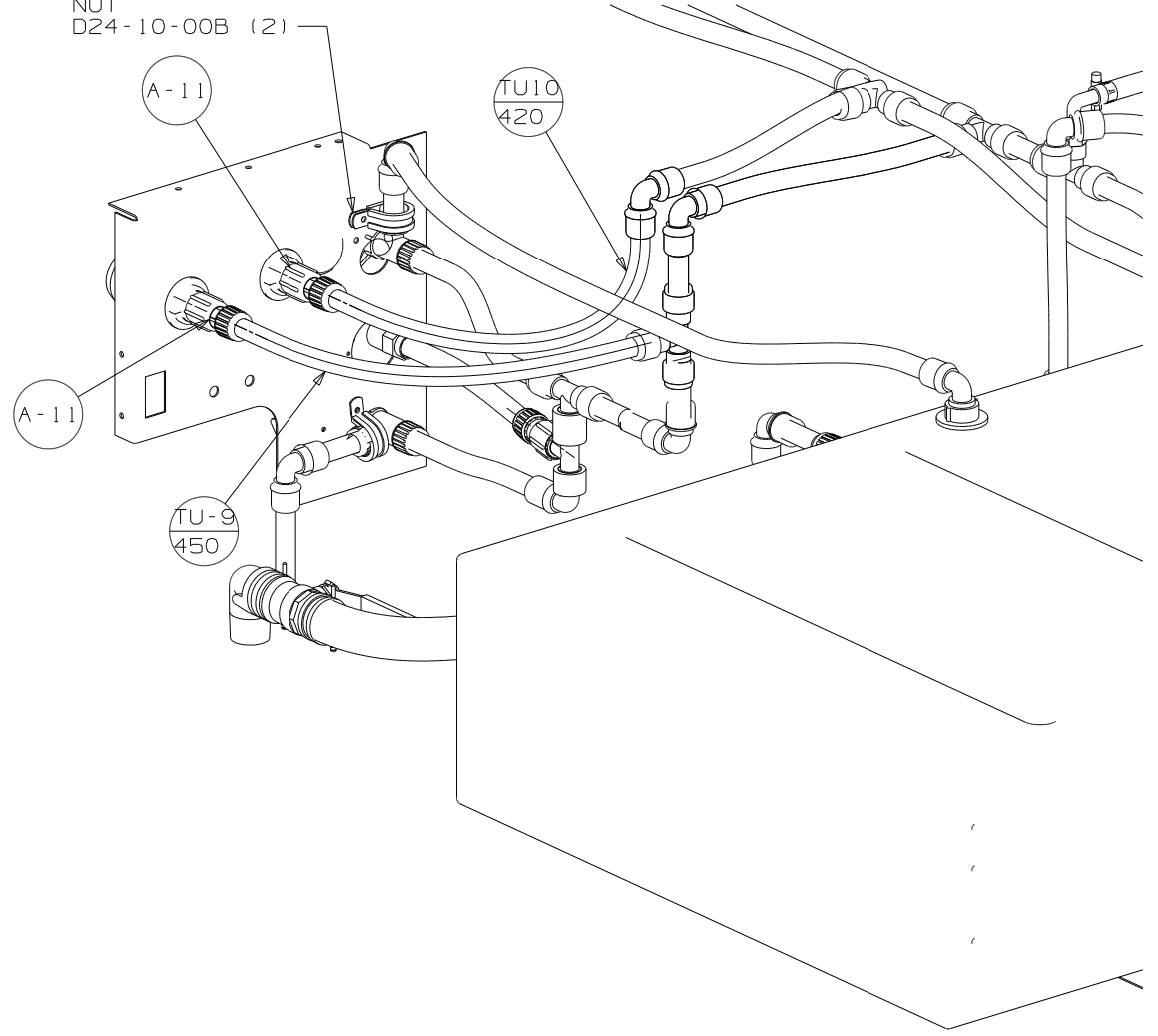
VIEW H

FIRST USED	09 728B
DO NOT SCALE DRAWING	
TITLE:	WATER SYSTEM INSTL
SHEET 5	PART NO 165328 REV



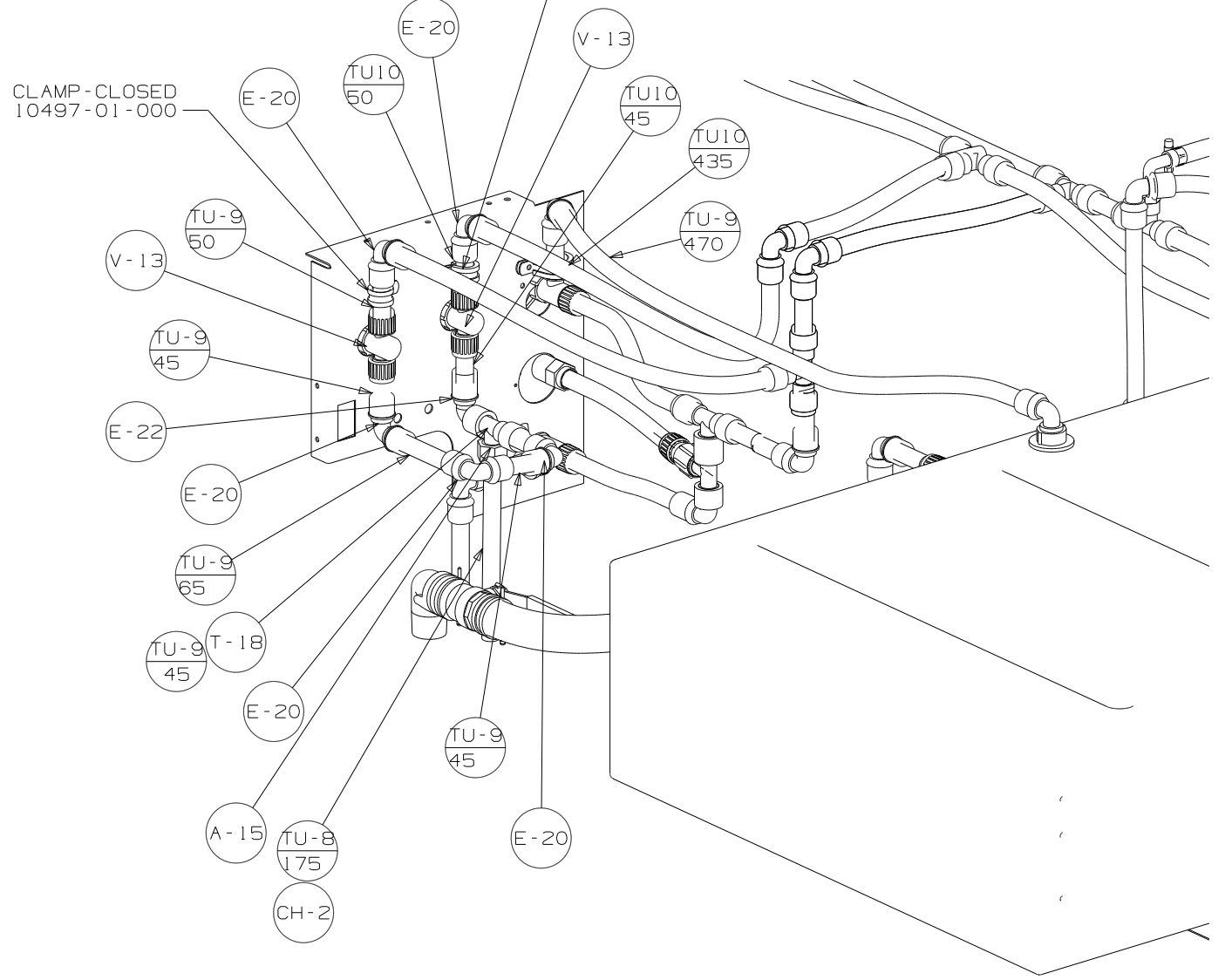
FIRST USED	09 728B
TITLE	DO NOT SCALE DRAWING
TITLE	WATER SYSTEM INSTL
SHEET 6	PART NO 165328 REV

CLAMP
10497-03-000 (2) (64R) (1J4)
SCREW
G19-10-20B (2)
NUT
D24-10-00B (2)



VIEW K
(64R)

CLAMP - CLOSED
10497-01-000



VIEW K
(1J4)

FIRST USED	09 728B		
TITLE	DO NOT SCALE DRAWING		
TITLE	WATER SYSTEM INSTL		
SHEET 7	PART NO	165328	REV