

FRONT  
OF  
COACH

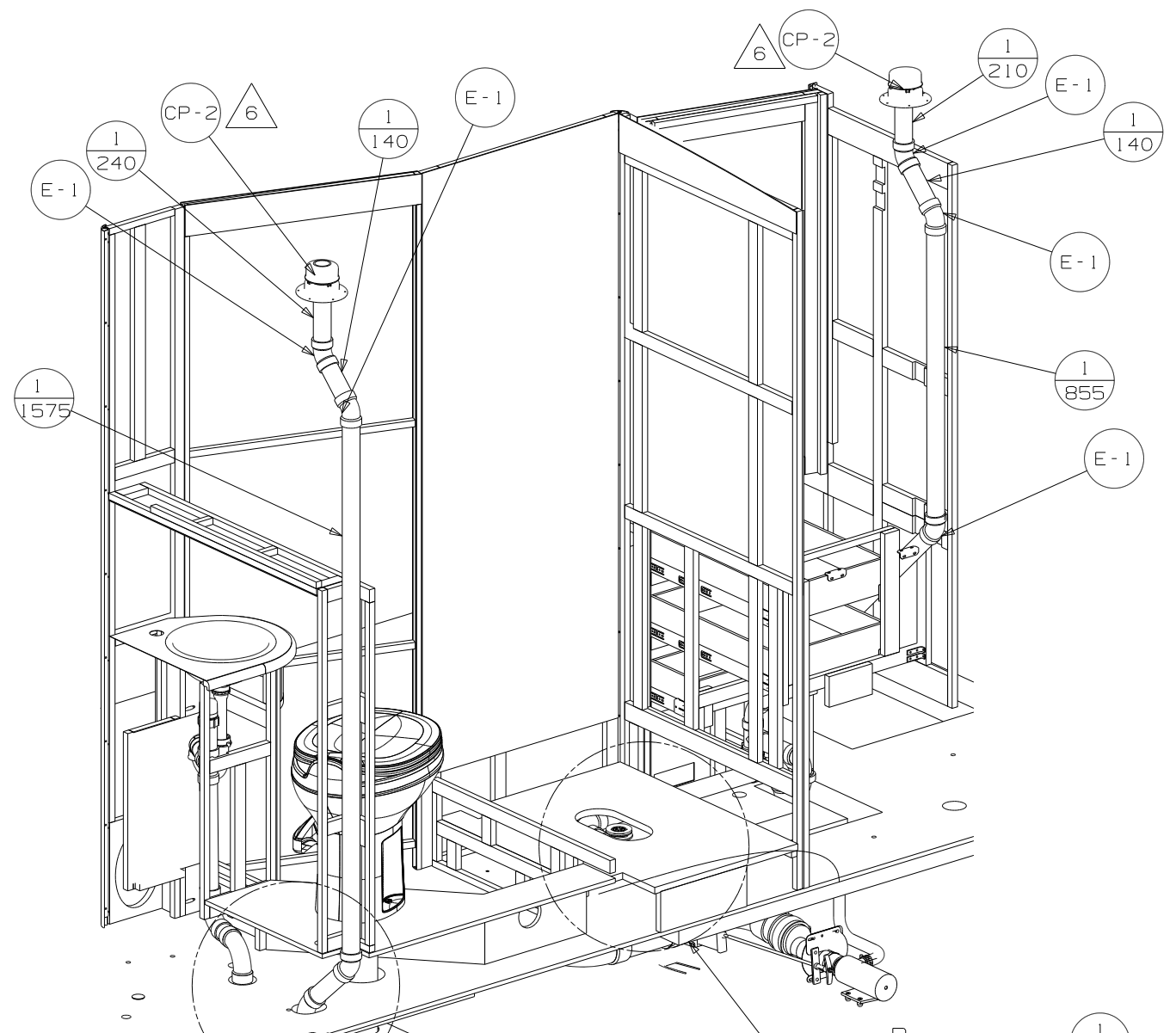
- (B1) CODES/STANDARDS-USA
- (265) CODES/STANDARDS-CSA/CMVSS
- (1JD) DRAINAGE SYSTEM-HEATED-W/O
- (23T) DRAINAGE SYSTEM-HEATED

- 9 FOLLOW SEWAGE MACERATOR PUMP WINTERIZATION PROCEDURE. REQUIRES 2 GALLONS OF RV ANTIFREEZE 157665-02-000 PER PUMP.
- 8 USE SMOOTH PLUMBERS PUTTY 167459-01-000 TO SEAL STRAINER(.2 PER STRAINER)
- 7 SECURE VENT TUBES TO FLOOR WITH CLAMP 62401-02-000,SCREW G67-10-12B (2), BRACKET 136878-01-CHT.
- 6 VENT PIPE MUST PROJECT 51 MIN AND 64 MAX ABOVE ROOF FOR PROPER FIT AND FUNCTION.
- 5. SEAL AROUND SHOWER WITH SILICONE.
- 4 SECURE PIPES TO CABINET USING WIRE TIE 108046-02-000, AND SCREW G67-10-12B.
- 3. ALL PIPE AND FITTINGS TO BE ASSEMBLED WITH SOLVENT 4020-01-000 (USA), 4020-02-000 (CAN)
- 2. SLOPE OF TRAP ARM MUST BE 6 PER 305 mm.
- 1. SLOPE OF HORIZONTAL PIPING TO BE MIN 3 PER 305 mm.

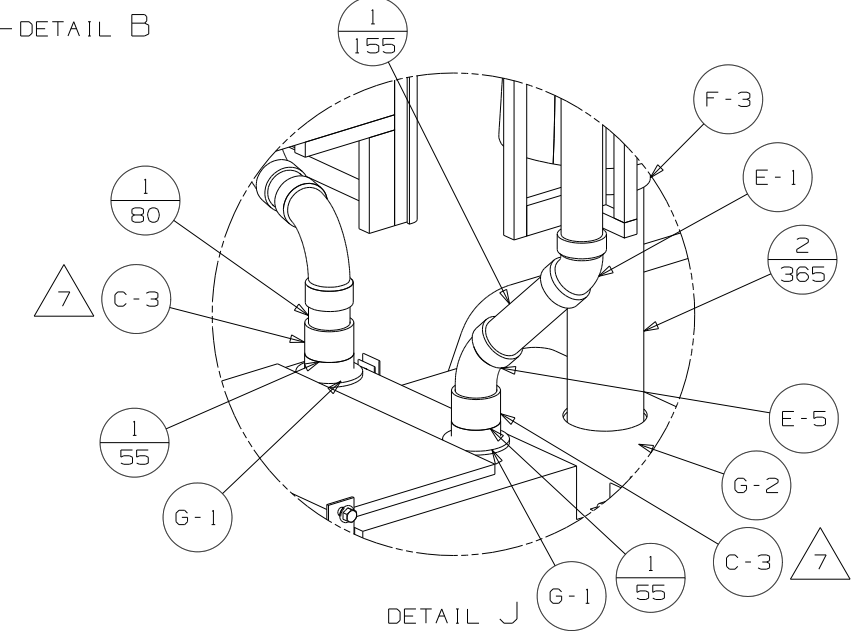
NOTES:

FOR  
DRAINAGE  
CALLOUTS  
SEE DWG NO  
116229-01-000

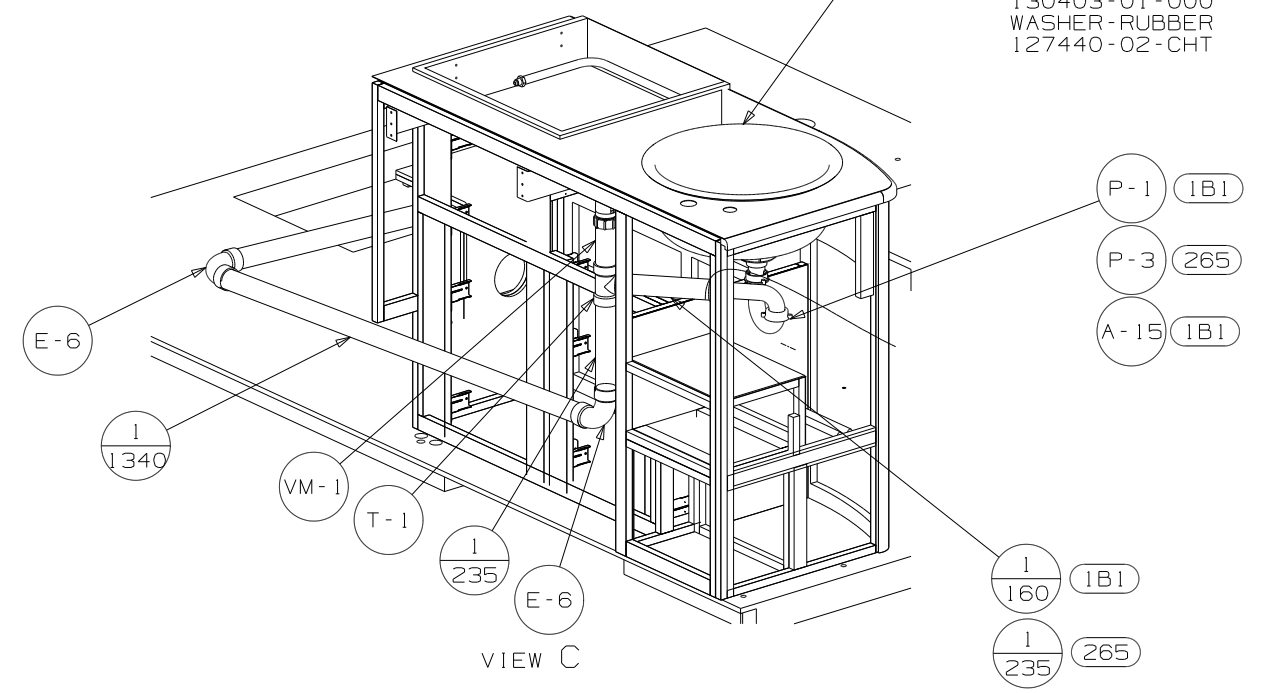
<b>WINNEBAGO</b>		COPYRIGHT 2010 WINNEBAGO INDUSTRIES, INC.	
DFT	ORIG. DATE	ALL DIMENSIONS ARE IN MILLIMETERS	
CHKR		FIRST USED	
P.E.		10 524P	
M.E.		UNSPECIFIED TOLERANCES ARE:	
DSNR		MATERIAL:	
		WHOLE DIM (X)	: 3
		ONE-PLACE (X.X)	: 1.5
		TWO-PLACE (X.XX)	: 0.50
		ANGLE	: 1°
THIRD ANGLE PROJECTION		DO NOT SCALE DRAWING	
TITLE: DRAINAGE SYSTEM INSTL			
SHEET 1 OF 4	PART NO	169646	REV



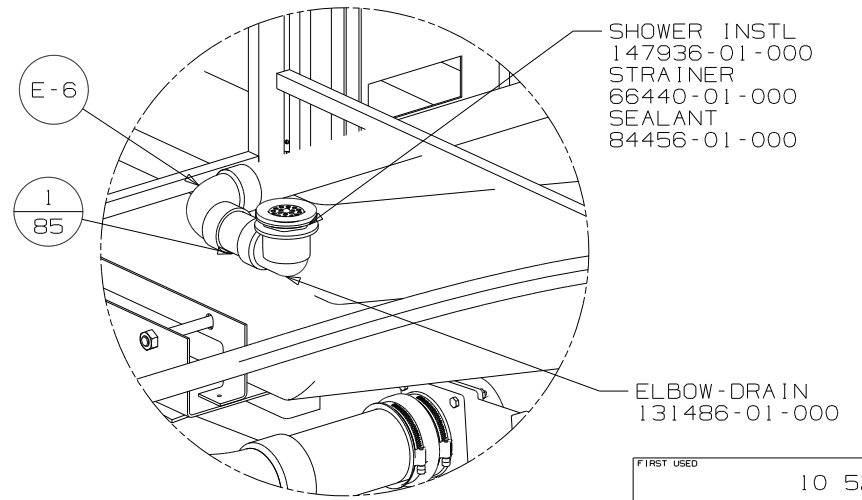
VIEW A



DETAIL J



VIEW C

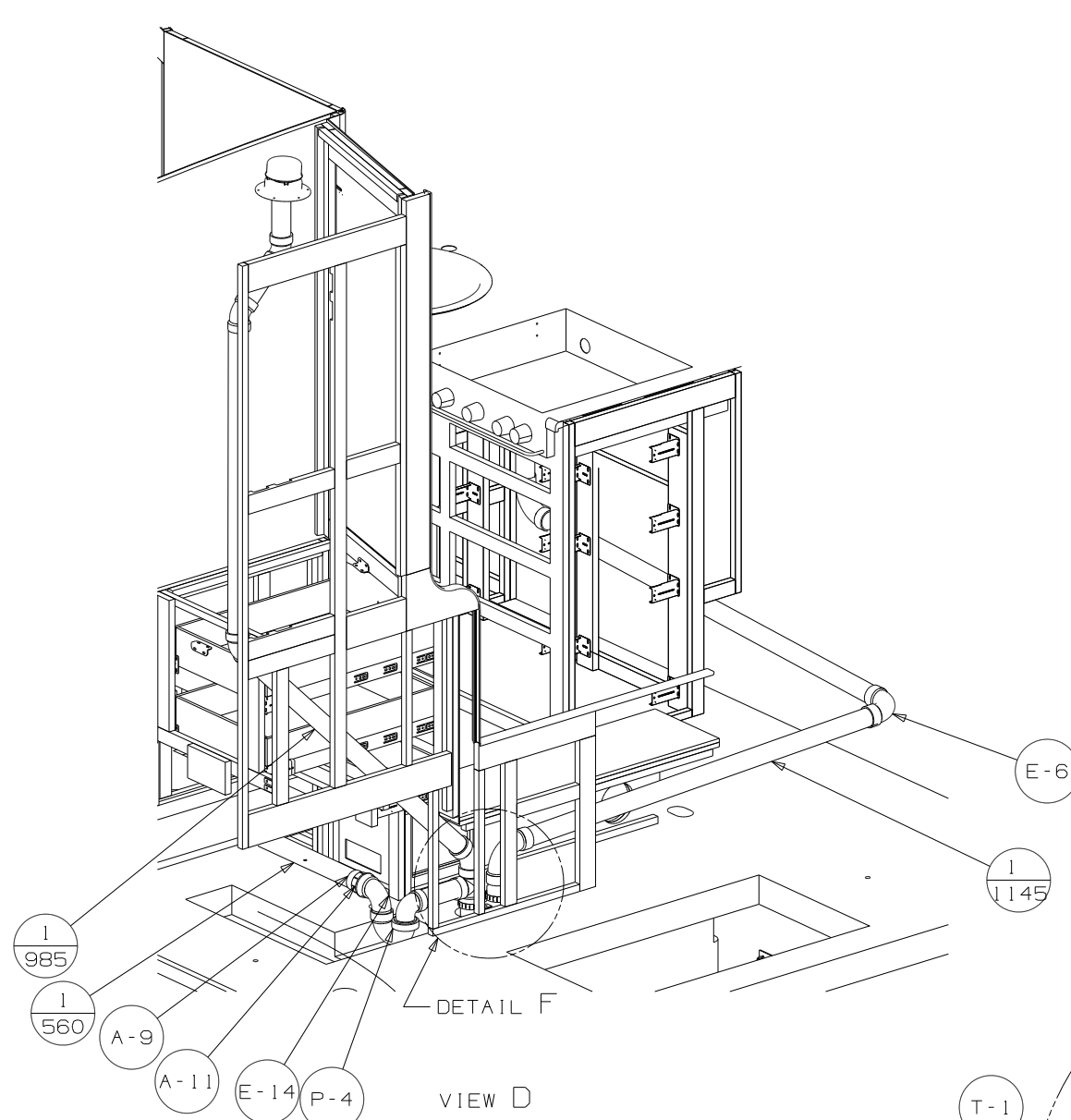


DETAIL B (SHOWN W/OUT FLOOR)

- SINK-GALLEY 165118-01-CHT
- SEAL 91255-02-000 (A/R)
- STRAINER 92303-01-000 (8)
- TAILPIECE 11069-06-000
- NUT 130403-01-000
- WASHER-RUBBER 127440-02-CHT

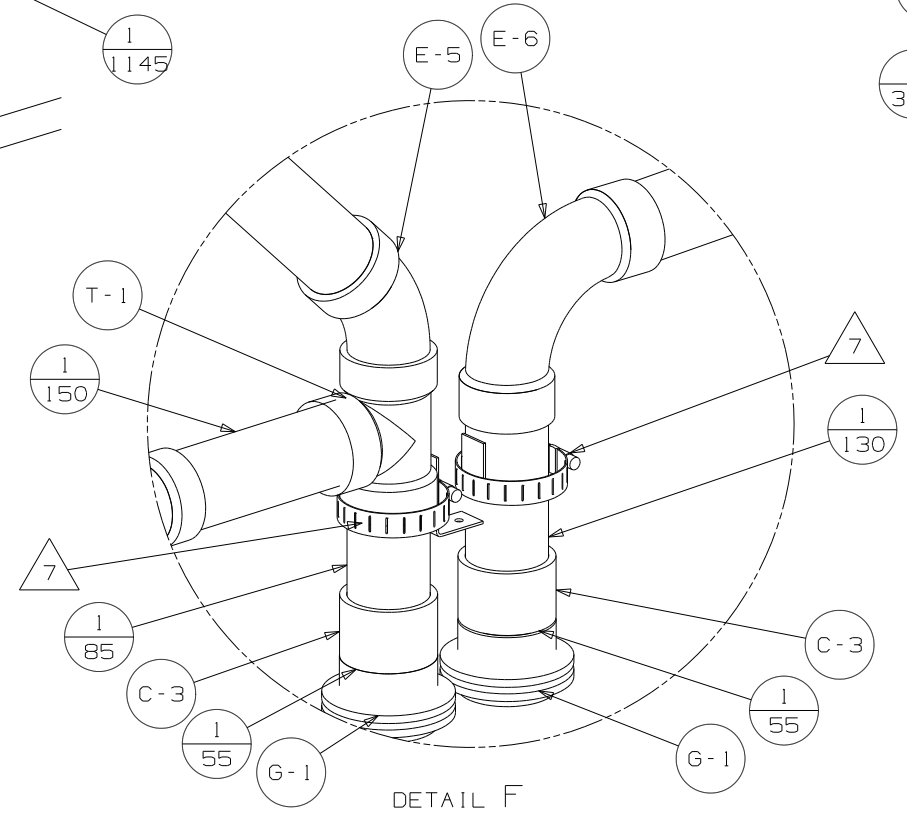
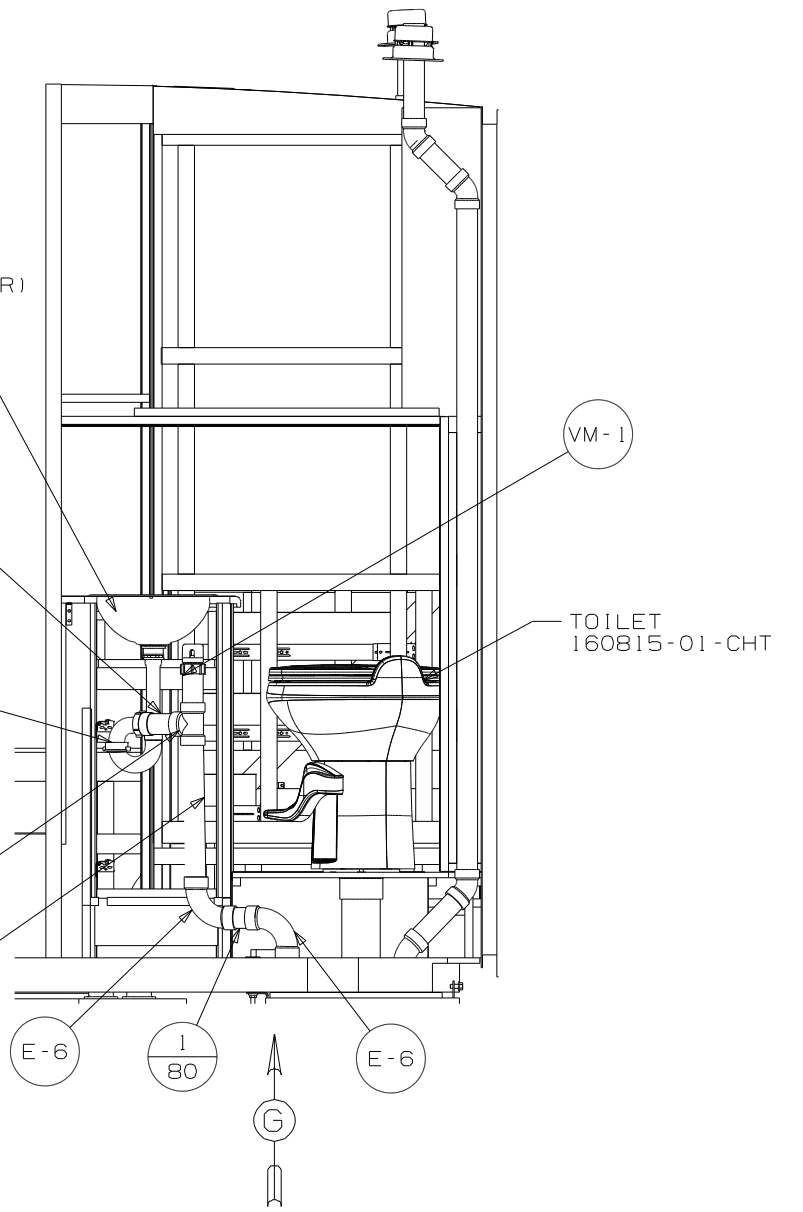
- SHOWER INSTL 147936-01-000
- STRAINER 66440-01-000
- SEALANT 84456-01-000

FIRST USED	10 524P	
DO NOT SCALE DRAWING		
TITLE:	DRAINAGE SYSTEM INSTL	
SHEET 2	PART NO	169646 REV

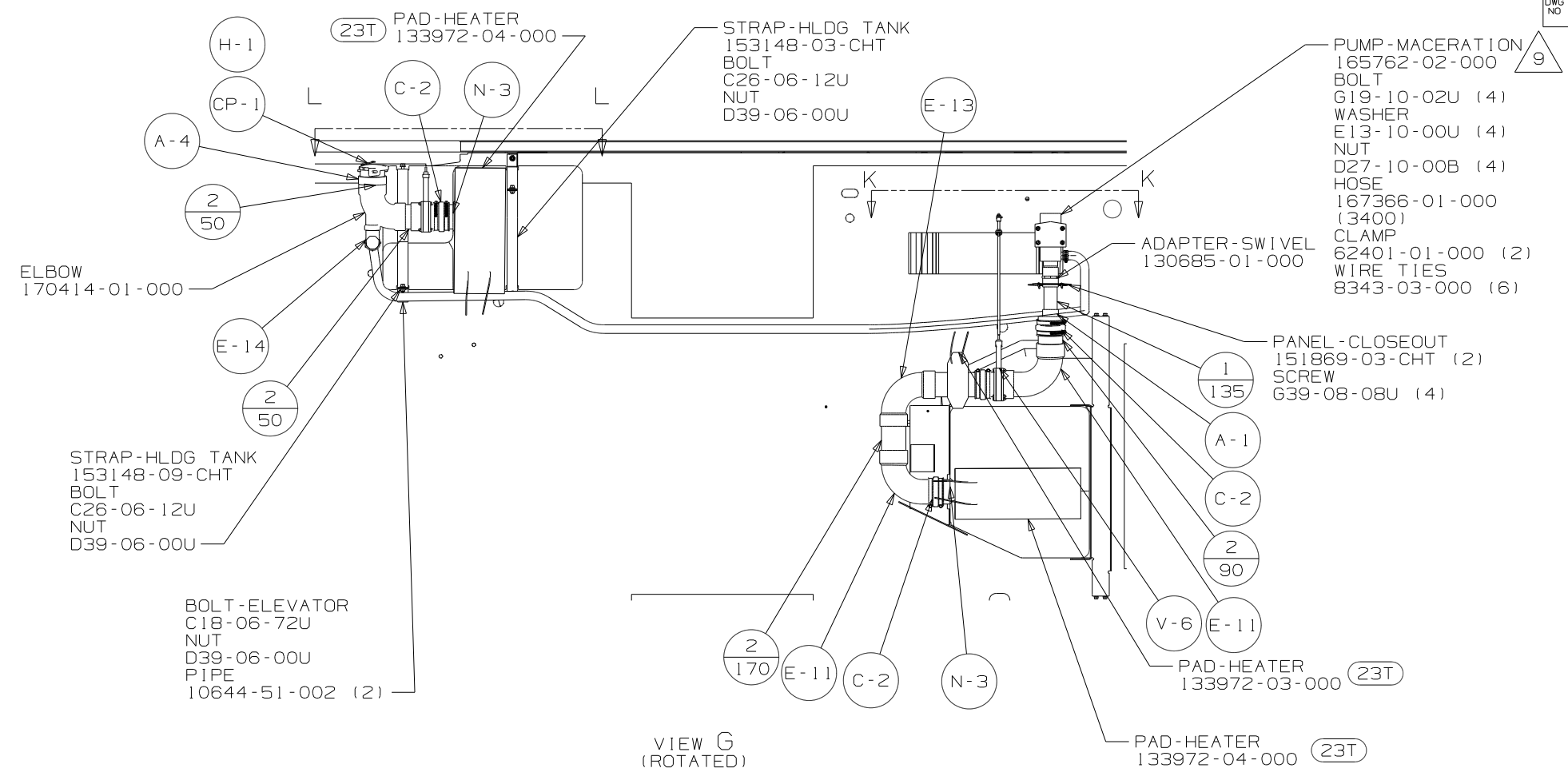


SINK-LAV  
 151679-01-CHT  
 SEAL  
 91255-02-000 (A/R)  
 STRAINER  
 163569-01-000  
 TAILPIECE  
 11069-05-000

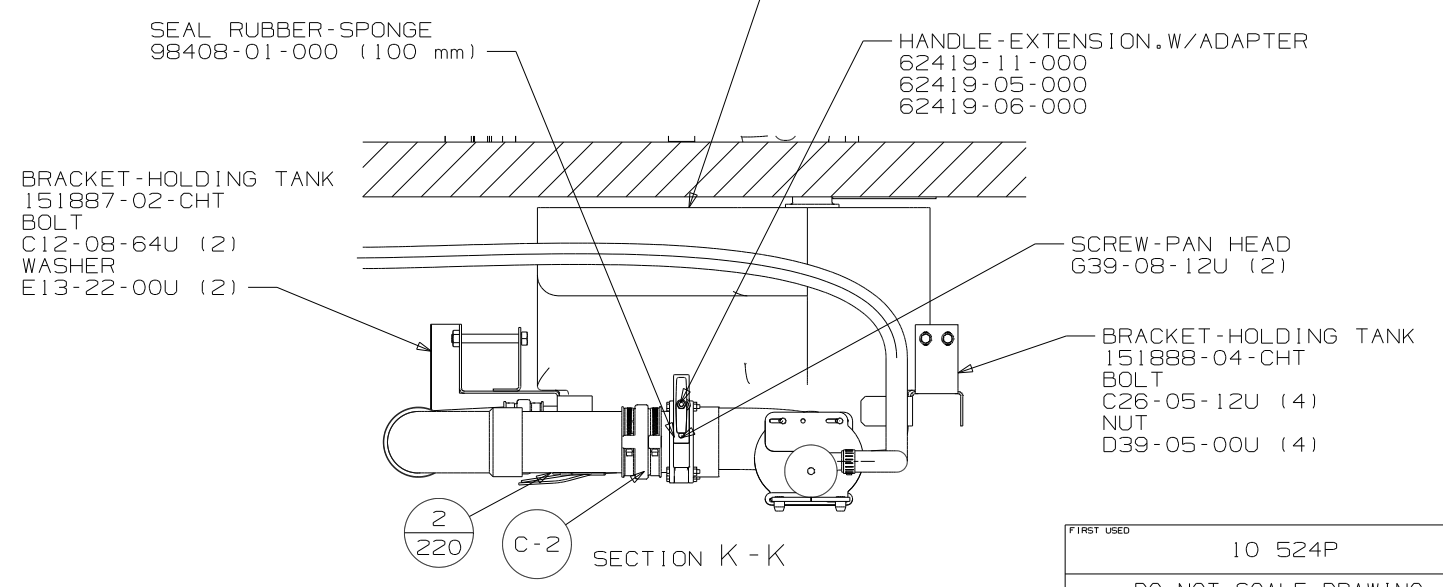
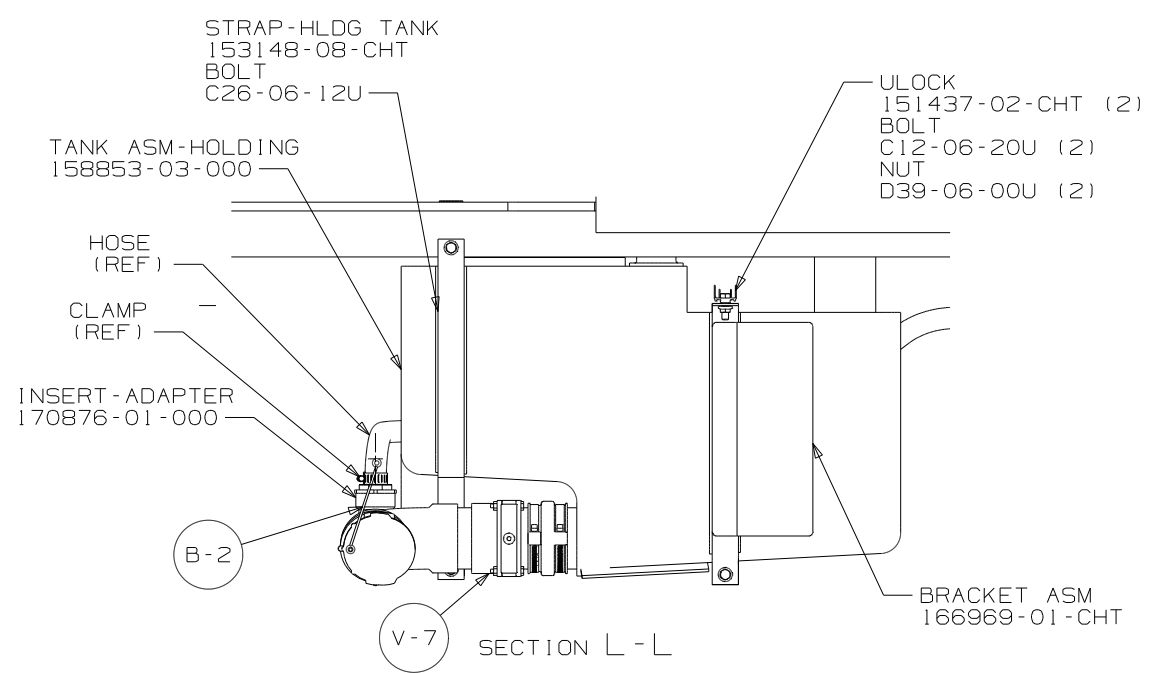
- 1B1 1/100
- 265 1/170
- 1B1 P-1
- 265 P-3
- 1B1 A-15



FIRST USED	10 524P
DO NOT SCALE DRAWING	
TITLE:	DRAINAGE SYSTEM INSTL
SHEET 3	PART NO 169646 REV



VIEW G (ROTATED)



FIRST USED	10 524P	
TITLE	DO NOT SCALE DRAWING	
	DRAINAGE SYSTEM INSTL	
SHEET 4	PART NO 169646	REV

INSULATION-DRAINAGE COMPT  
120050-45-000

INSULATION-DRAINAGE COMPT  
120050-53-000

3642  
704

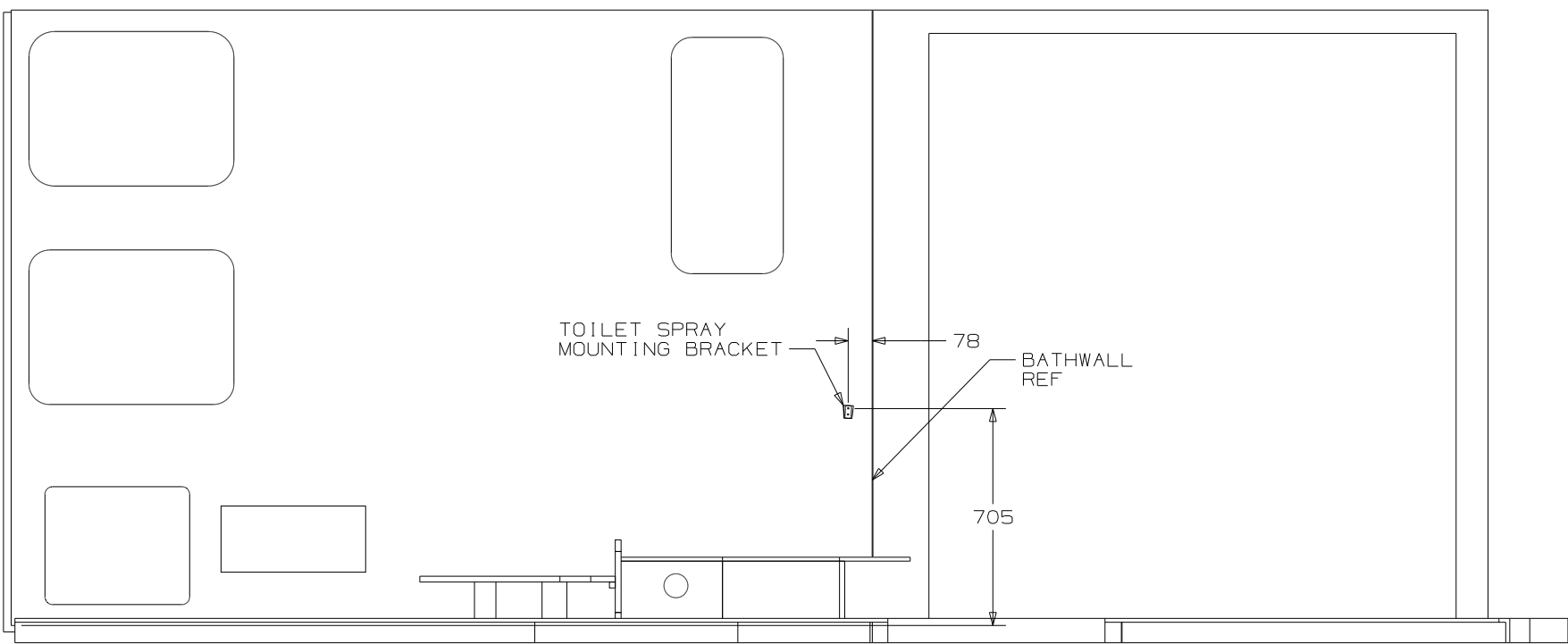
FRONT AXLE  
VEHICLE

DATUM

1125

1478

71  
1614



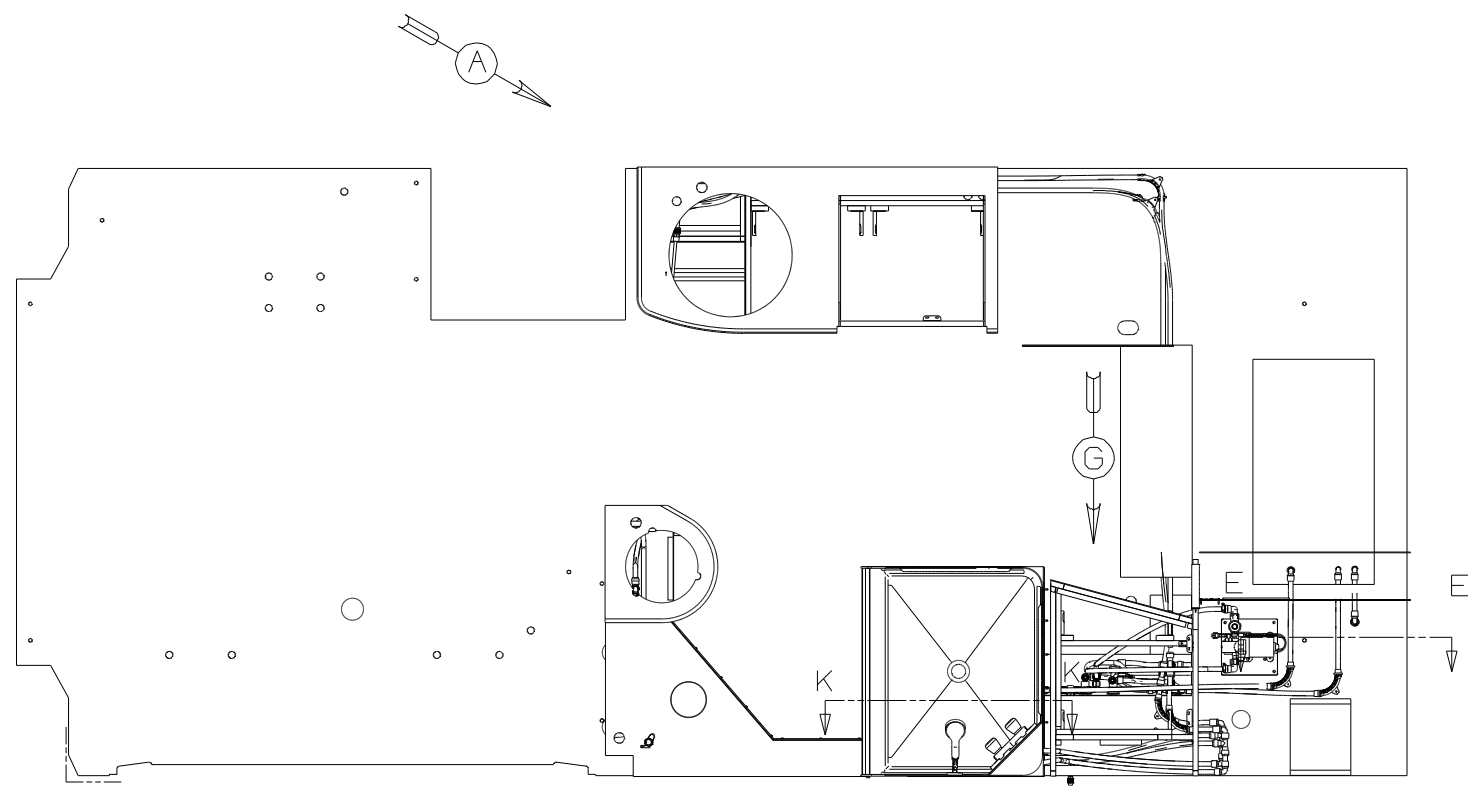
TOILET SPRAY  
MOUNTING BRACKET

78  
BATHWALL  
REF

705

VIEW H  
(ROTATED)

FIRST USED	10 524P	
TITLE	DRAINAGE SYSTEM INSTL	
SHEET 5	PART NO 169646	REV



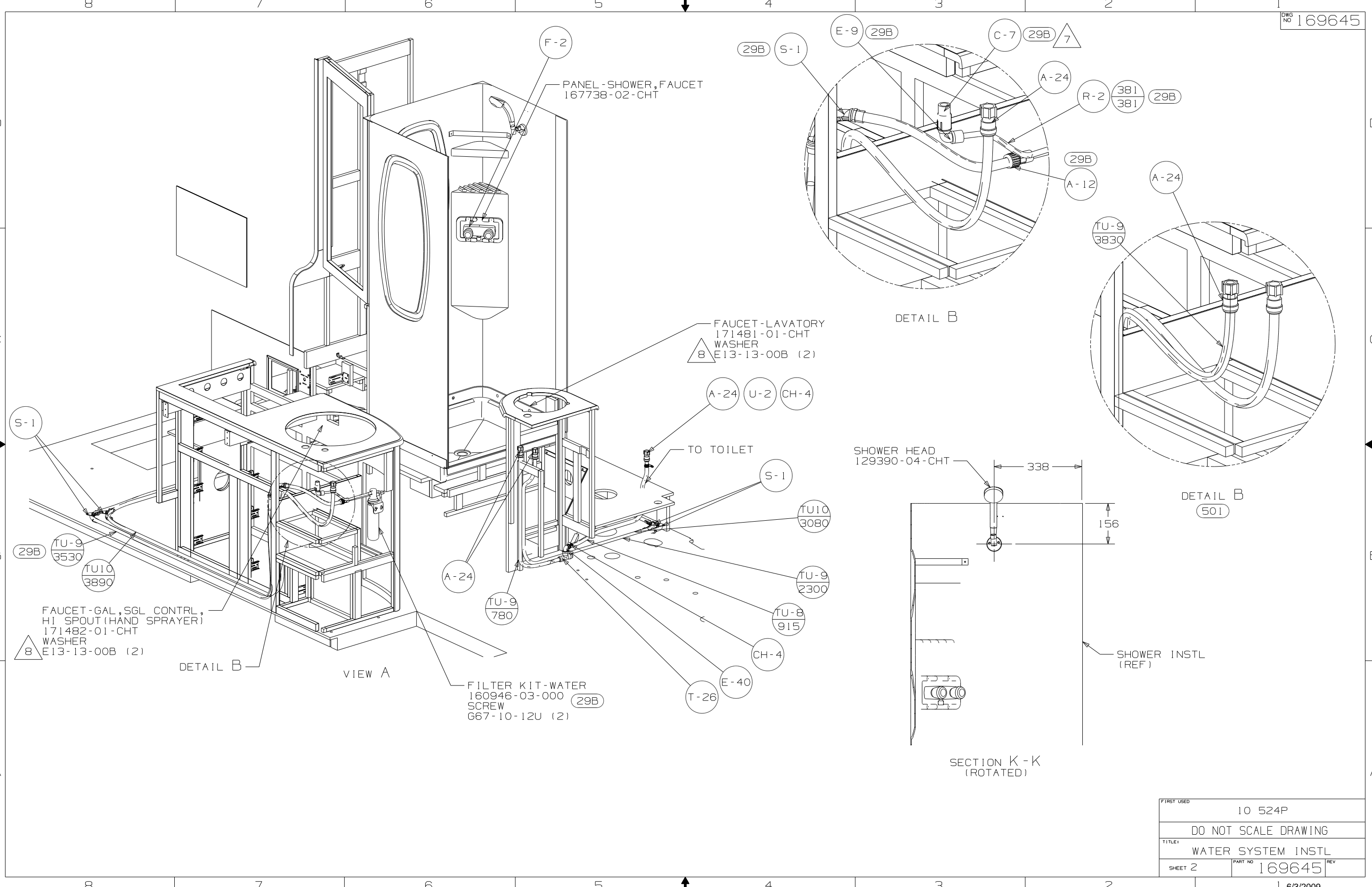
- (29B) WATER PURIFIER
- (501) WATER PURIFIER W/O
- (53E) WINTERIZING PKG
- (53B) WTR HTR-6 GAL ELECTRIC/LP GAS
- (53F) WATER HEATER-ELEC IGN
- (64R) EXT WASH STATION
- (1J4) EXT WASH STATION W/O

- 8. INSTALL BETWEEN MOUNTING PLATE & RETAINING NUTS.
  - 7. INSTALL CONNECTOR WITH TAPERED END AWAY FROM FAUCET.
  - 6. ADD TEFLON TAPE 10405-03-000.
  - 5. ADD TEFLON TAPE 10405-02-000.
  - 4. ADD TEFLON TAPE 10405-01-000.
3. ALL TUBING TO BE SECURED AT 1200 INTERVALS MAXIMUM WITH CLAMP 10495-01-000 AND SCREW G67-10-12B OR EQUIVALENT.
  2. TUBING TO BE INSTALLED WITH SUFFICIENT SLOPE TO PROVIDE DRAINAGE TO NEAREST VALVE.
  1. PLASTIC FITTINGS TO BE SEALED WITH SEALANT 84456-01-000.

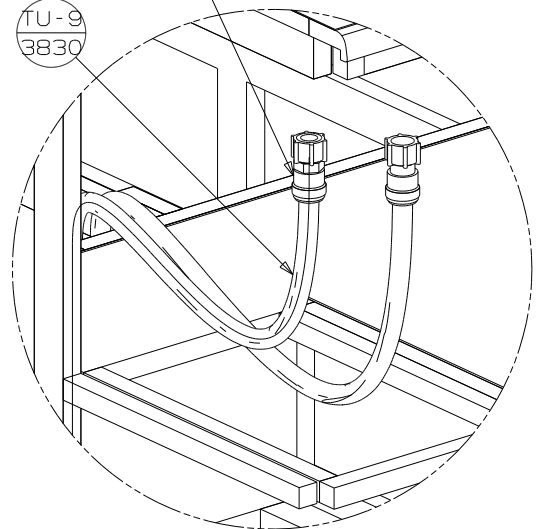
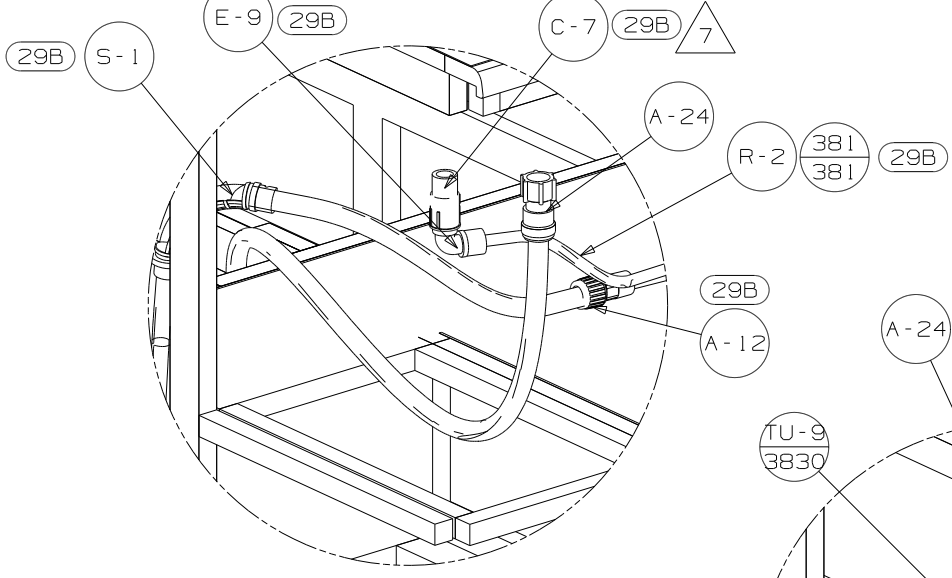
NOTES:

(X-X)  
FOR  
WATER  
CALLOUTS  
SEE DWG NO  
116230-01-000

<b>WINNEBAGO</b>		COPYRIGHT 2009 WINNEBAGO INDUSTRIES, INC.	
DFT	ORIG. DATE	ALL DIMENSIONS ARE IN MILLIMETERS	
CHKR		FIRST USED	
P.E.		10 524P	
M.E.		UNSPECIFIED TOLERANCES ARE:	
DSNR		MATERIAL:	
		WHOLE DIM (X)	: 3
		ONE-PLACE (X.X)	: 1.5
		TWO-PLACE (X.XX)	: 0.50
		ANGLE	: 1°
THIRD ANGLE PROJECTION		DO NOT SCALE DRAWING	
TITLE: WATER SYSTEM INSTL			
SHEET 1 OF 4	PART NO	169645	REV
REF:	1 6/3/2009		

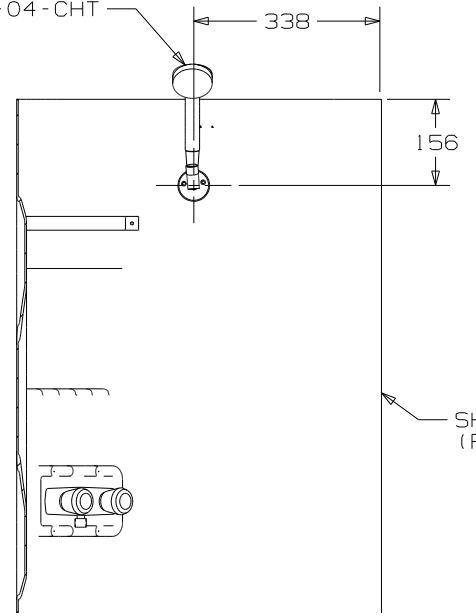


PANEL-SHOWER, FAUCET  
167738-02-CHT



FAUCET-LAVATORY  
171481-01-CHT  
WASHER  
E13-13-00B (2)

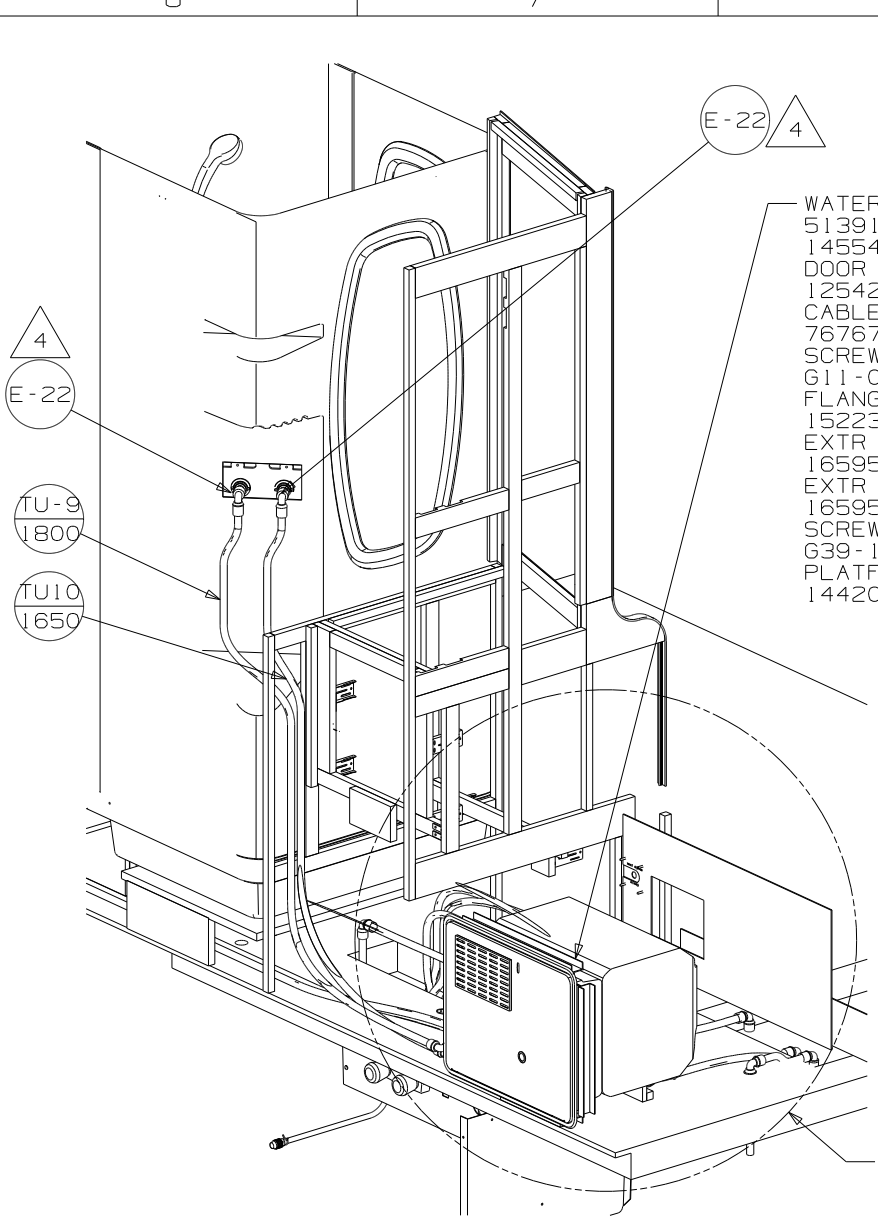
SHOWER HEAD  
129390-04-CHT



FAUCET-GAL, SGL CONTRL,  
HI SPOUT (HAND SPRAYER)  
171482-01-CHT  
WASHER  
E13-13-00B (2)

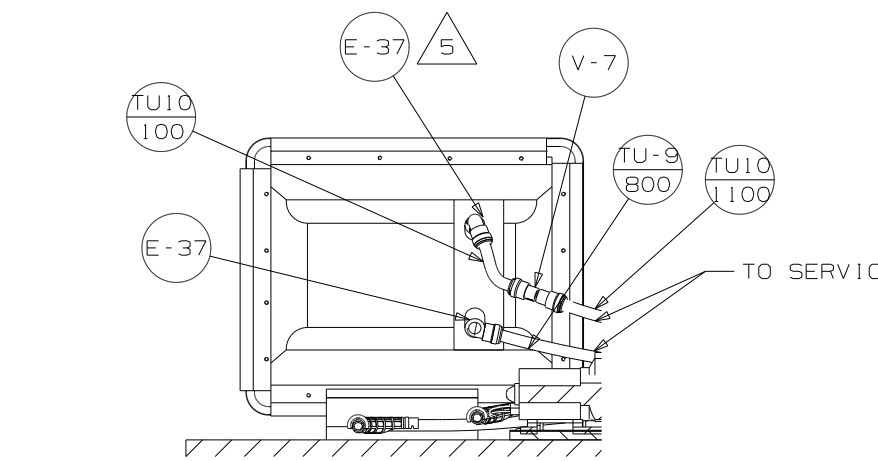
FILTER KIT-WATER  
160946-03-000  
SCREW  
G67-10-12U (2)

FIRST USED	10 524P
TITLE	DO NOT SCALE DRAWING
SHEET 2	PART NO 169645 REV
	1 6/3/2009



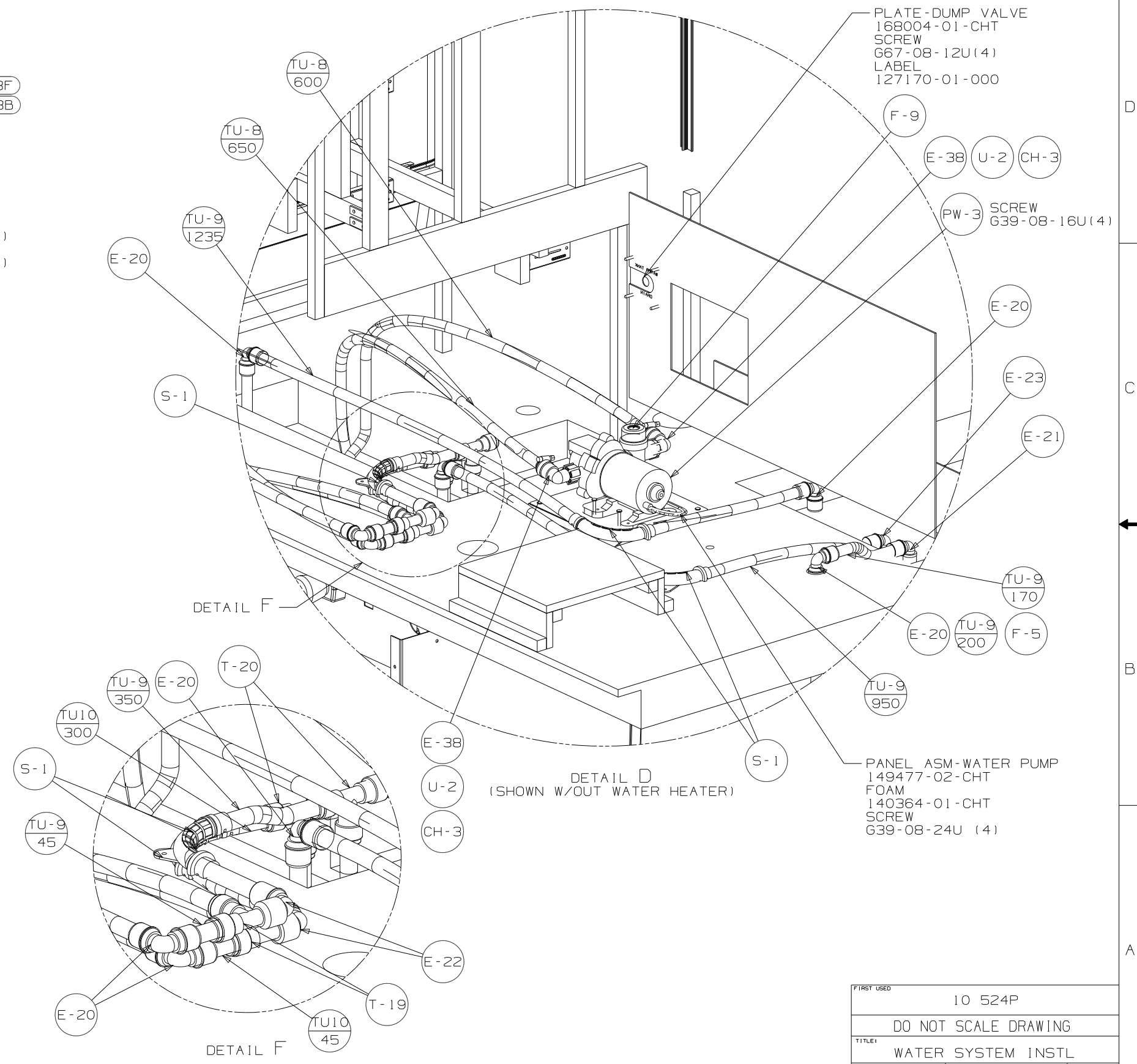
- WATER HEATER  
51391-03-000 (53F)
- 145541-02-000 (53B)
- DOOR  
125420-06-CHT
- CABLE  
76767-03-000
- SCREW  
G11-06-08U (2)
- FLANGE  
152239-01-CHT
- EXTR  
165959-51-002 (2)
- EXTR  
165959-51-004 (2)
- SCREW  
G39-10-169 (16)
- PLATFORM  
144200-04-000

VIEW C



SECTION E-E (ROTATED)

TO SERVICE CENTER



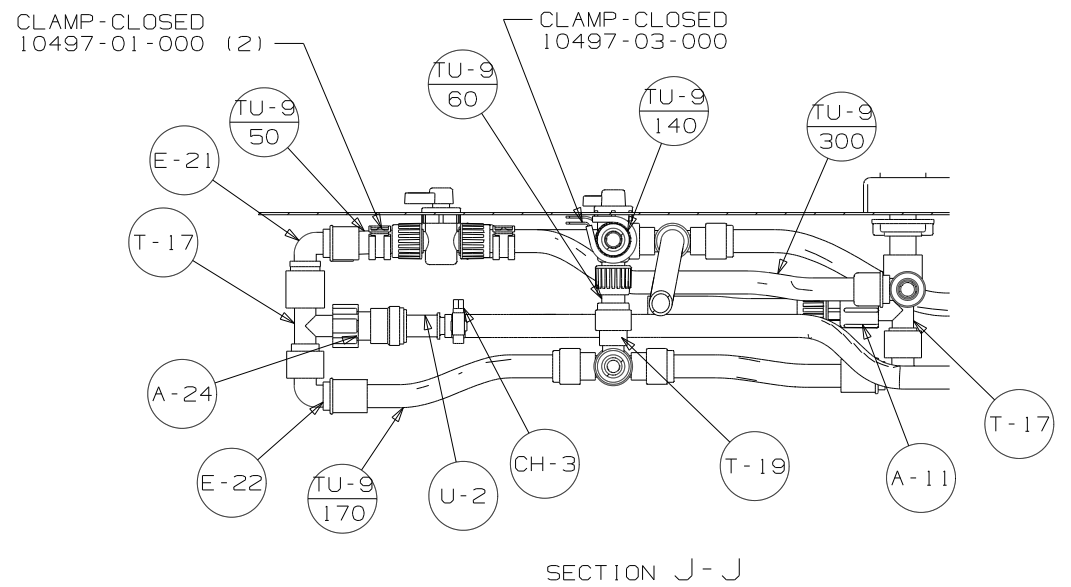
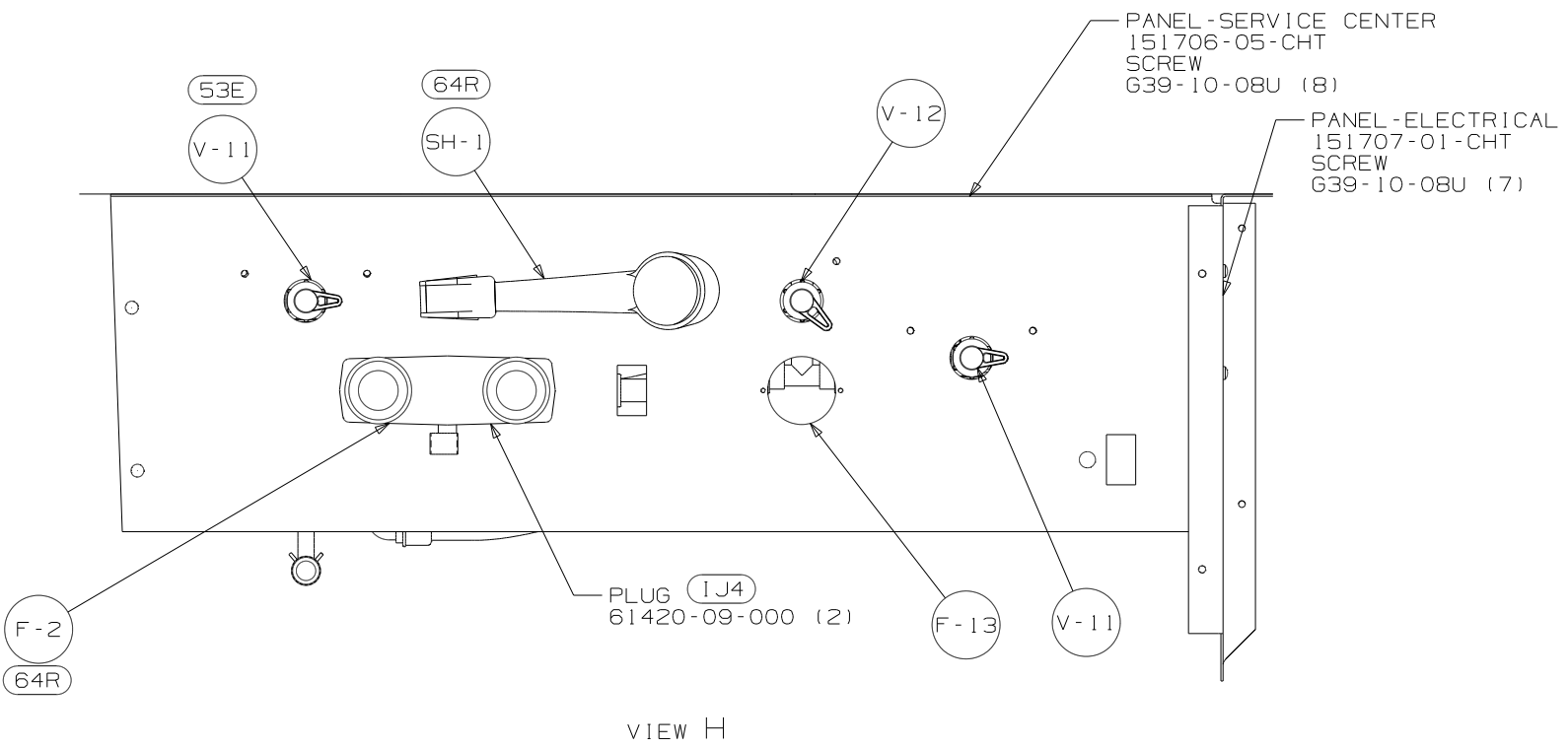
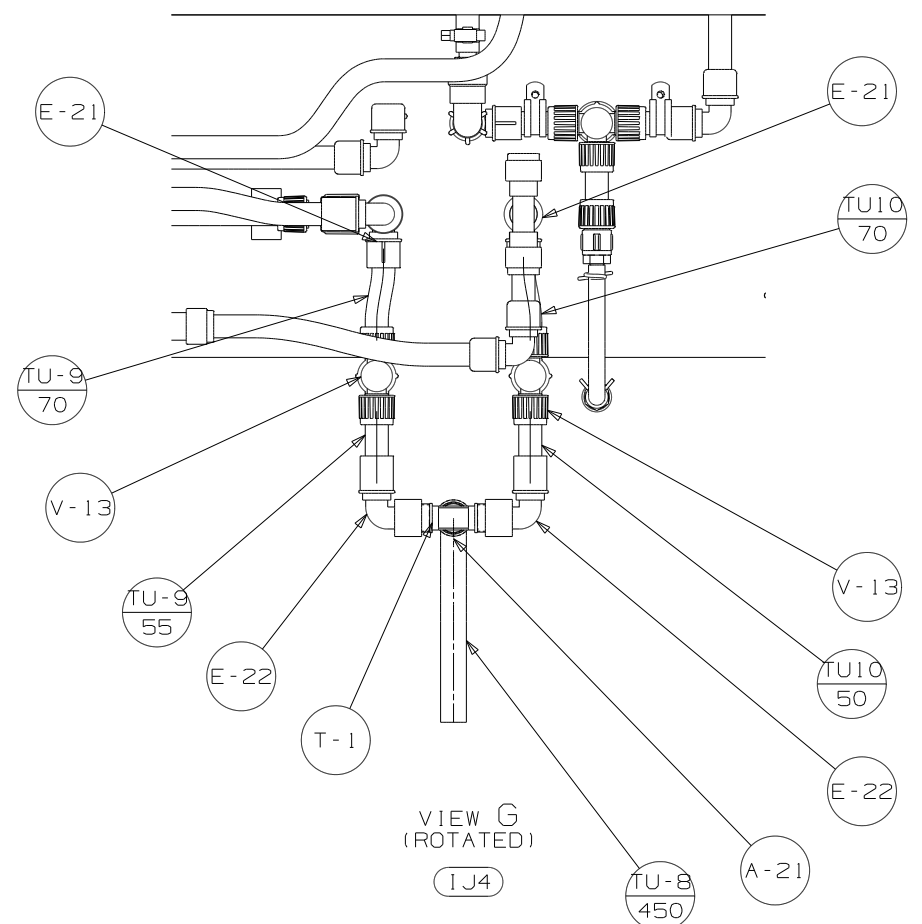
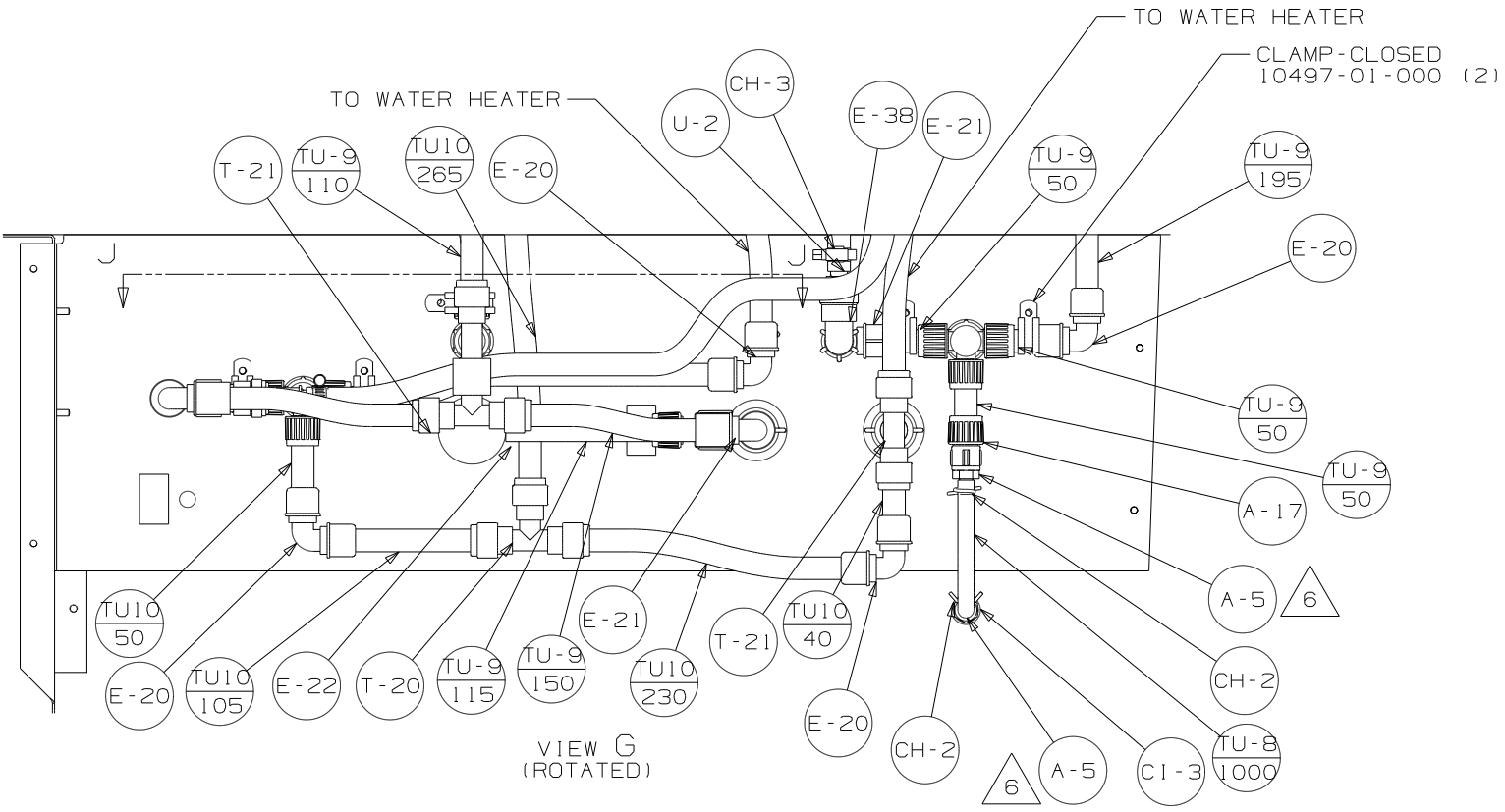
DETAIL F

DETAIL D (SHOWN W/OUT WATER HEATER)

DETAIL F

FIRST USED	10 524P
TITLE:	DO NOT SCALE DRAWING
	WATER SYSTEM INSTL
SHEET 3	PART NO 169645 REV





FIRST USED	10 524P		
TITLE:	DO NOT SCALE DRAWING		
	WATER SYSTEM INSTL		
SHEET 4	PART NO	169645	REV