

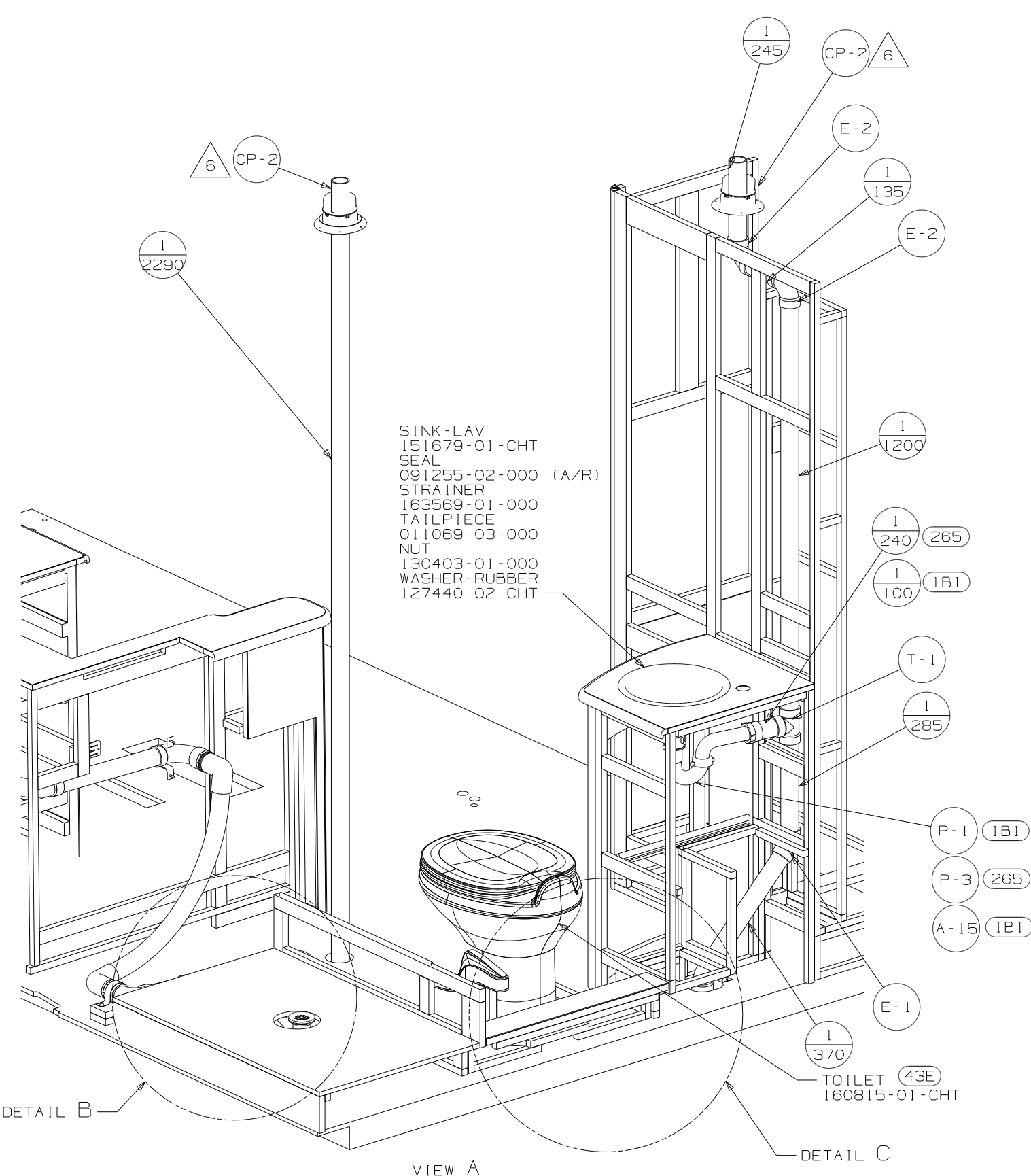
- (1B1) CODES/STANDARDS-USA
- (265) CODES/STANDARDS-CSA/CMVSS
- (43E) TOILET-PORCELAIN
- (1JD) DRAINAGE SYSTEM-HEATED-W/O
- (23T) DRAINAGE SYSTEM-HEATED

- 8. USE SMOOTH PLUMBERS PUTTY 167459-01-000 TO SEAL STRAINER (.2 PER STRAINER).
- 7. SECURE VENT PIPE TO FLOOR WITH CLAMP 062401-02-000 (2), SCREW 000G67-10-12B (2), BRACKET 136878-01-CHT (2).
- 6. VENT PIPE MUST PROJECT 51 MIN AND 64 MAX ABOVE ROOF FOR PROPER FIT AND FUNCTION. ADD S-1 (116666-01-CHT SEAL-VENT PIPE) AROUND PIPE ON ROOF BEFORE VENT CAP IS INSTALLED.
- 5. SEAL AROUND SHOWER WITH SILICONE.
- 4. SECURE DRAINAGE PIPES TO CABINET USING WIRE TIES 108046-02-000 AND SCREW 000G67-10-12U AT INTERVALS OF NOT MORE THAN 4 FEET APART.
- 3. ALL PIPE AND FITTINGS TO BE ASSEMBLED WITH SOLVENT 004020-01-000 (USA), 004020-02-000 (CAN)
- 2. SLOPE OF TRAP ARM MUST BE 6 PER 305 mm.
- 1. SLOPE OF HORIZONTAL PIPING TO BE MINIMUM OF 3 PER 305 mm.

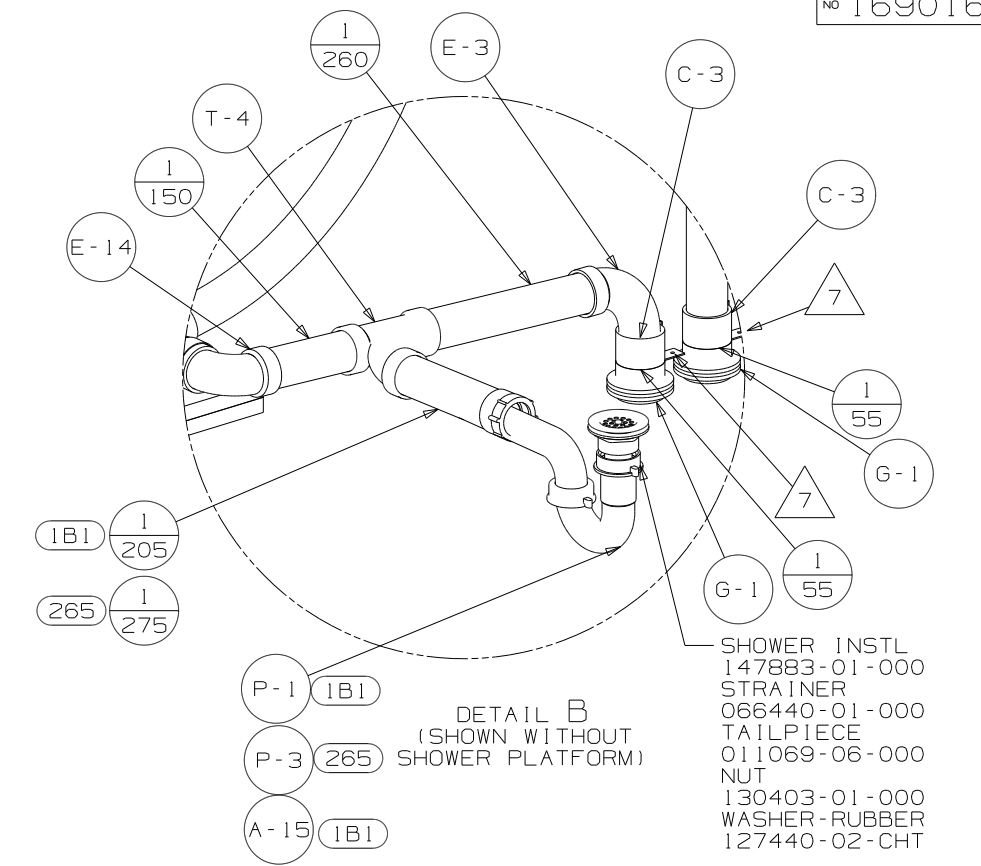
NOTES:

(X-X)  
FOR  
DRAINAGE  
CALLOUTS  
SEE DWG NO  
116229-01-000

<b>WINNEBAGO</b>		COPYRIGHT 2009 WINNEBAGO INDUSTRIES, INC.	
DFT	ORIG. DATE	ALL DIMENSIONS ARE IN MILLIMETERS	
CHKR		FIRST USED	
P.E.		10 524K	
M.E.		UNSPECIFIED TOLERANCES ARE:	
DSNR		MATERIAL:	
		WHOLE DIM (X)	: 3
		ONE-PLACE (X.X)	: 1.5
		TWO-PLACE (X.XX)	: 0.50
		ANGLE	: 1°
THIRD ANGLE PROJECTION		DO NOT SCALE DRAWING	
TITLE: DRAINAGE SYSTEM INSTL			
SHEET 1 OF 5	PART NO	169016	REV
REF:	10/21/2009		

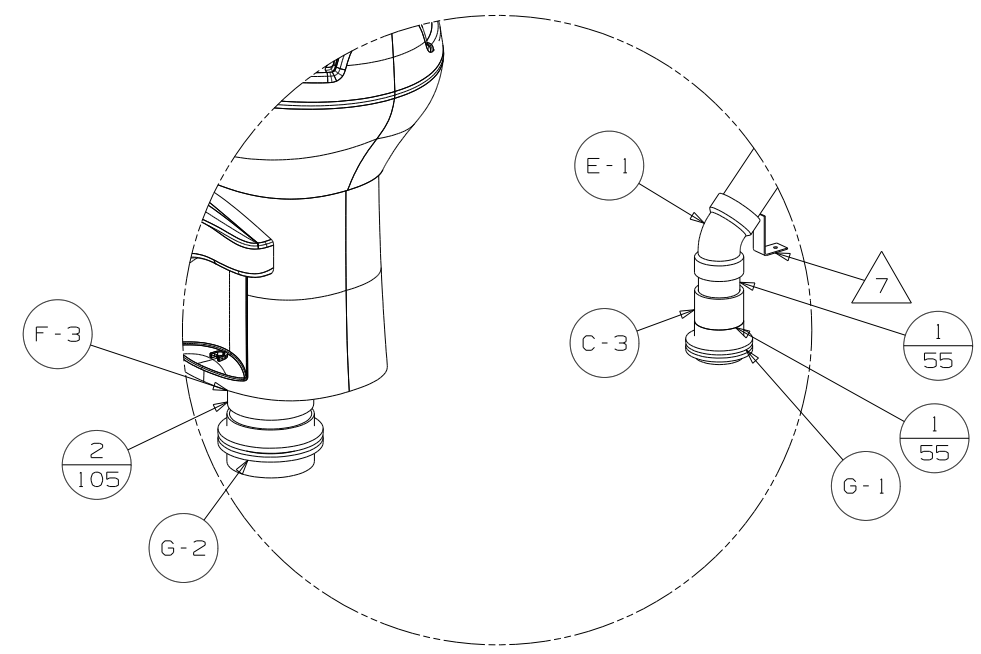


SINK-LAV  
 151679-01-CHT  
 SEAL  
 091255-02-000 (A/R)  
 STRAINER  
 163569-01-000  
 TAILPIECE  
 011069-03-000  
 NUT  
 130403-01-000  
 WASHER-RUBBER  
 127440-02-CHT



DETAIL B  
 (SHOWN WITHOUT  
 SHOWER PLATFORM)

SHOWER INSTL  
 147883-01-000  
 STRAINER  
 066440-01-000  
 TAILPIECE  
 011069-06-000  
 NUT  
 130403-01-000  
 WASHER-RUBBER  
 127440-02-CHT



DETAIL C  
 (SHOWN WITHOUT  
 CABINETS)

DETAIL B

VIEW A

DETAIL C

FIRST USED	10 524K		
TITLE	DO NOT SCALE DRAWING		
	DRAINAGE SYSTEM INSTL		
SHEET 2	PART NO	169016	REV

- GALLEY SINK  
165118-01-CHT
- SEAL  
091255-02-000 (A/R)
- STRAINER  
092303-01-000
- TAILPIECE  
011069-03-000
- NUT  
130403-01-000
- WASHER-RUBBER  
127440-02-CHT

- ADAPTER-SWIVEL  
130685-02-000

- ELBOW  
136111-01-000

- STRAP-CONDUIT  
008406-01-000
- SCREW  
000G39-08-12U(2)

1  
375

E-6

- STRAP-CONDUIT  
008406-01-000
- SCREW  
000G39-08-12U(2)

- ADAPTER-SWIVEL  
130685-02-000

- STRAP-CONDUIT  
008406-01-000
- LUMBER  
052372-F0-144(2)
- SCREW  
000G67-10-32U(2)

- ELBOW  
136111-01-000

- PRIMER  
126427-02-000
- CEMENT  
126427-01-000

3  
685

1  
900

- STRAP-CONDUIT  
008406-01-000
- SCREW  
000G39-08-12U(2)

T-1

1  
55

E-5

VIEW D

B

P-1  
1B1

P-3  
265

A-15  
1B1

VM-1

E-3

TOILET SPRAY  
MOUNTING  
BRACKET

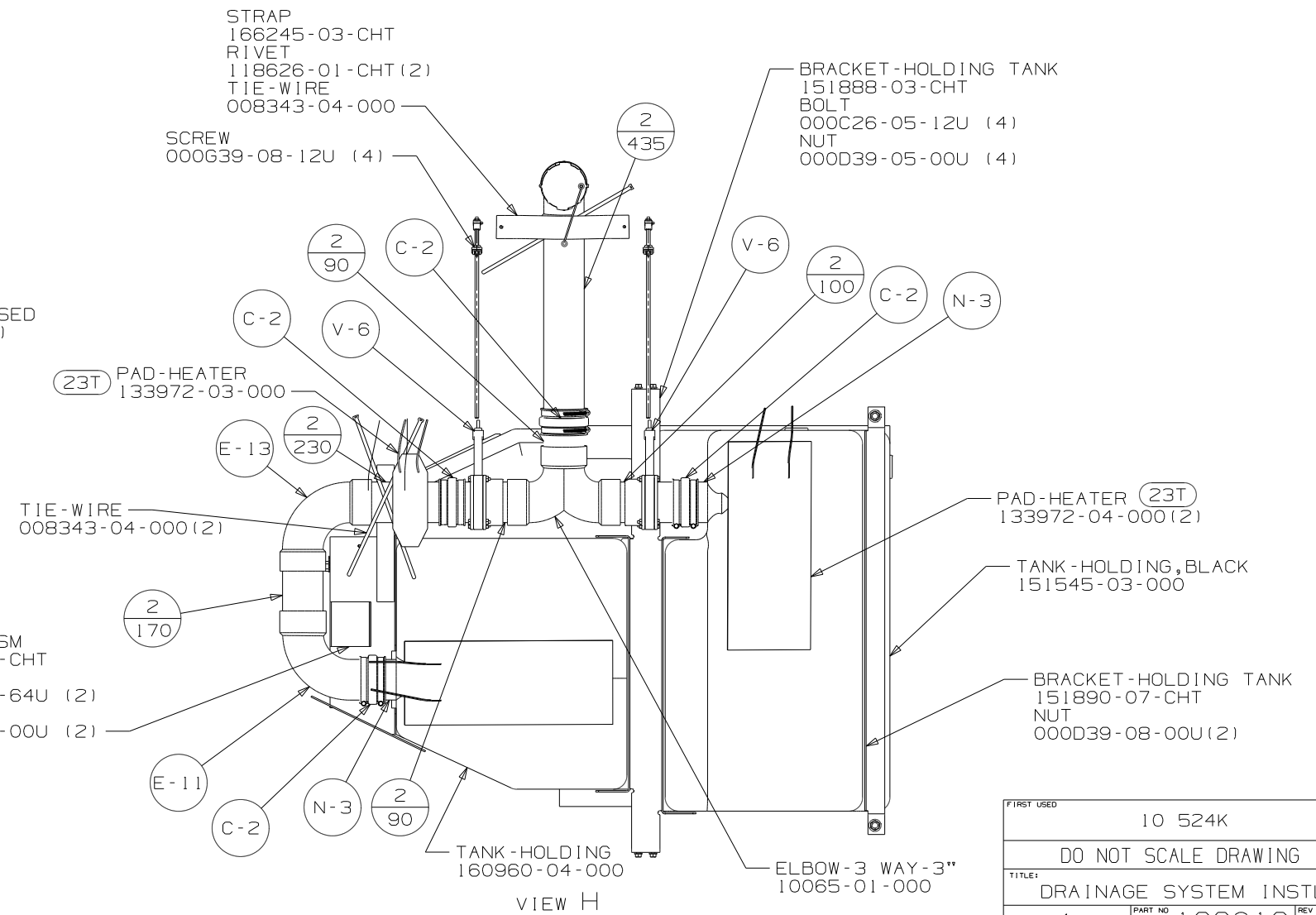
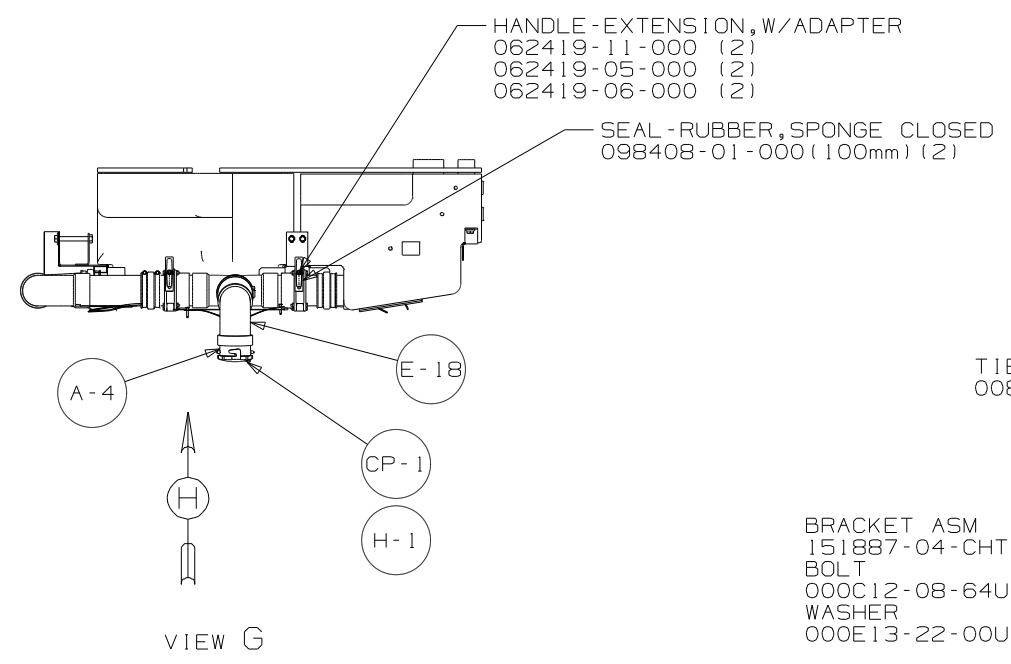
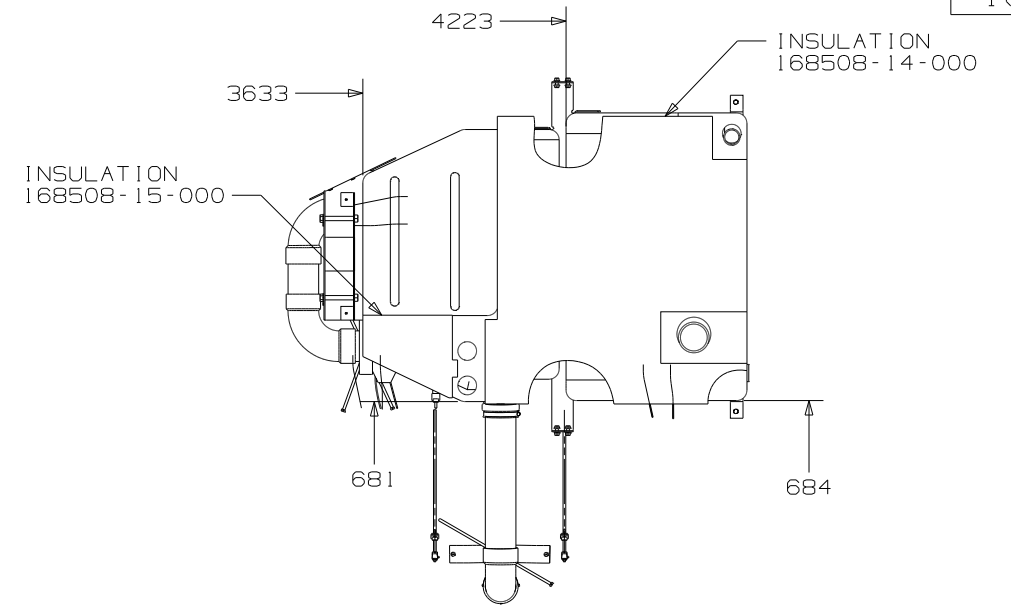
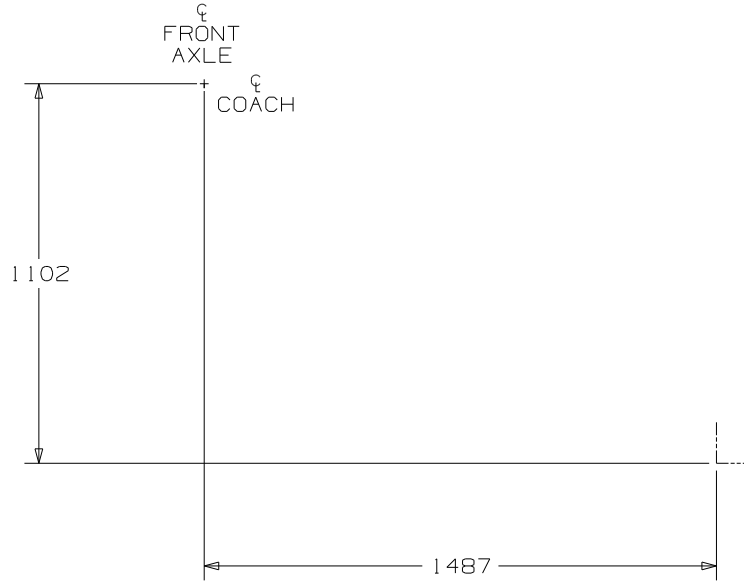
55

686

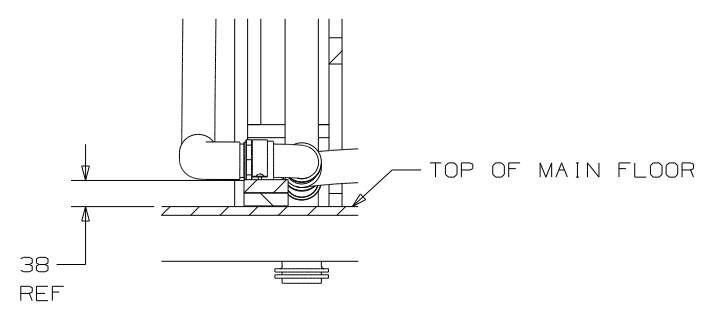
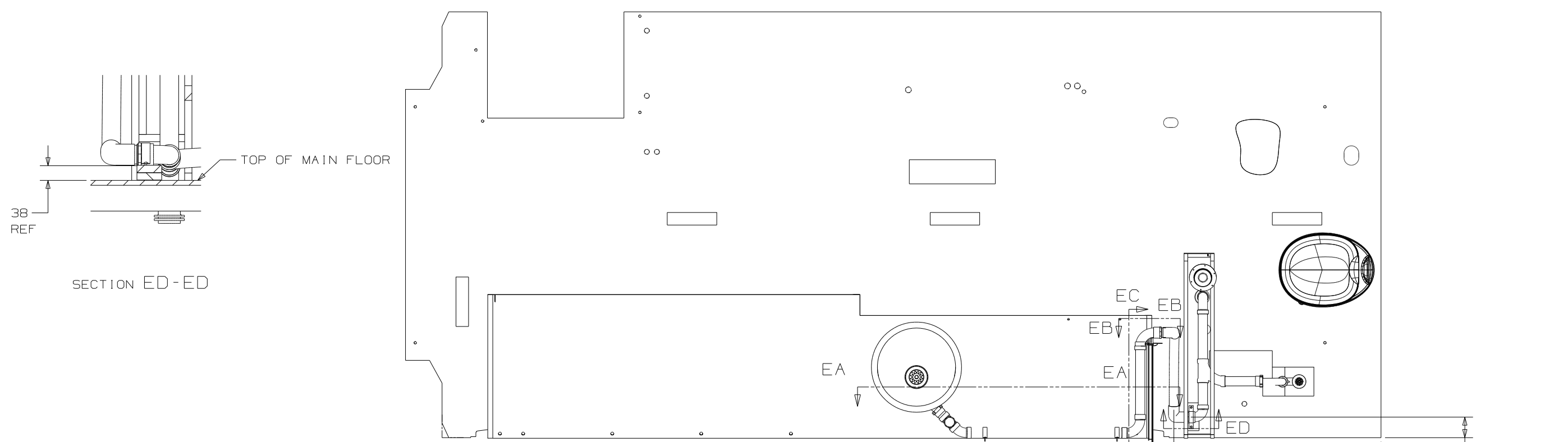
SHOWER  
SURROUND

SECTION F-F  
(ROTATED)

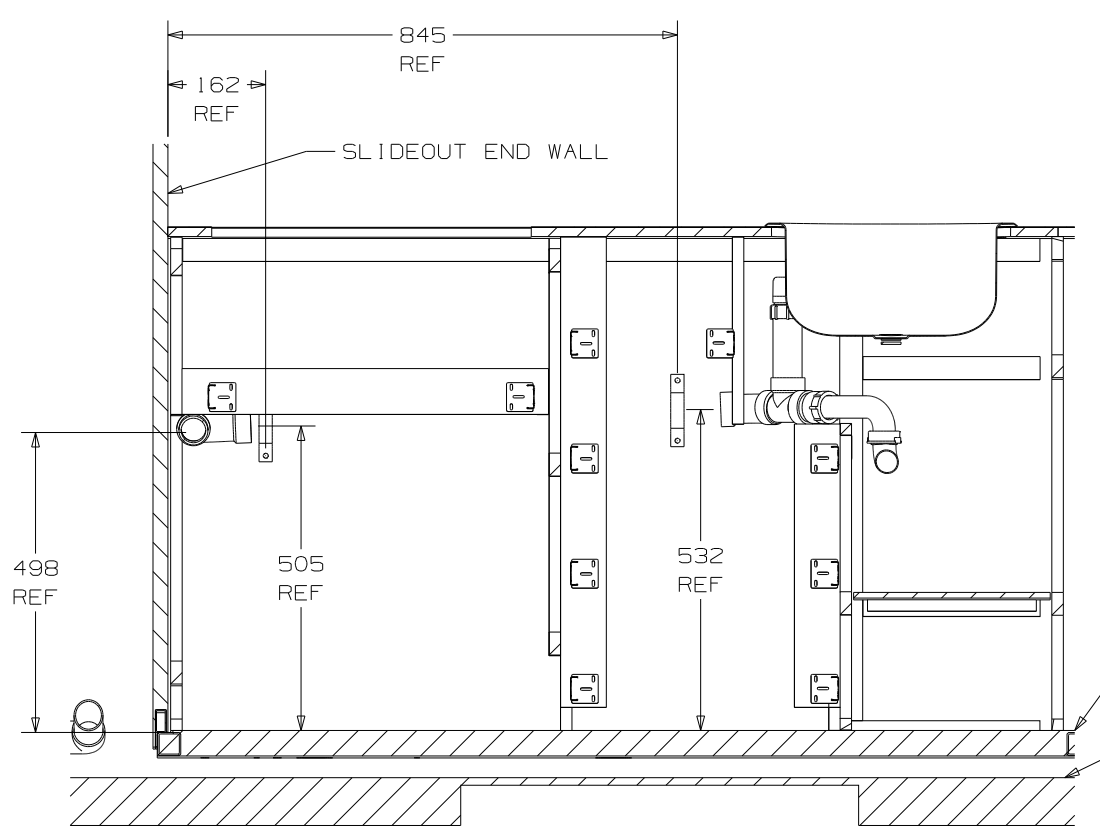
FIRST USED	10 524K		
TITLE	DO NOT SCALE DRAWING		
	DRAINAGE SYSTEM INSTL		
SHEET 3	PART NO	169016	REV



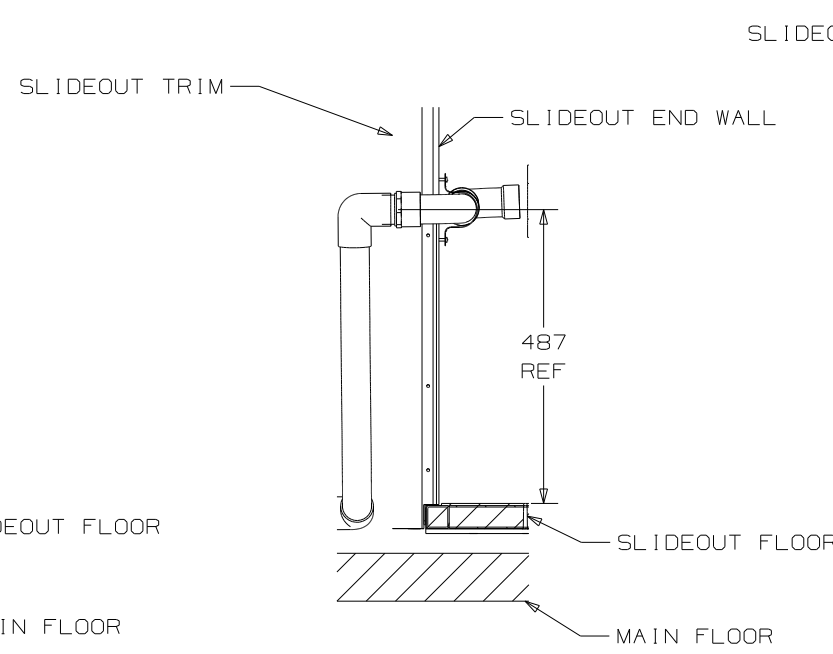
FIRST USED	10 524K		
DO NOT SCALE DRAWING			
TITLE:	DRAINAGE SYSTEM INSTL		
SHEET 4	PART NO	169016	REV



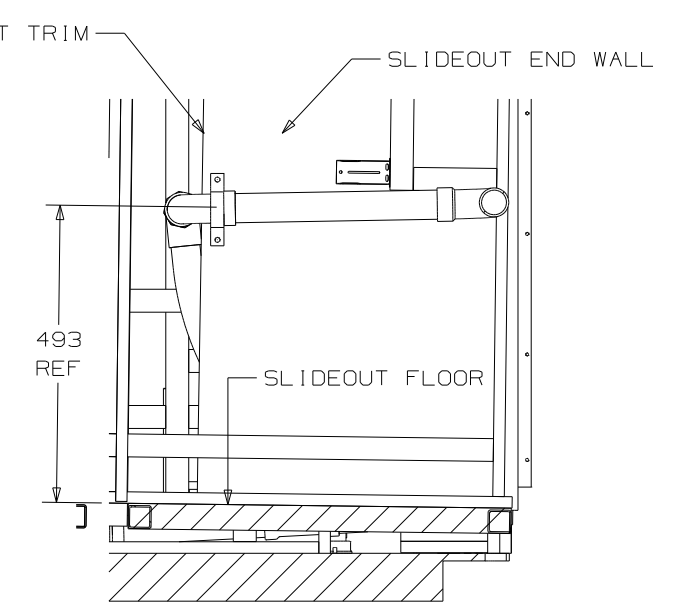
SECTION ED-ED



SECTION EA-EA (ROTATED)

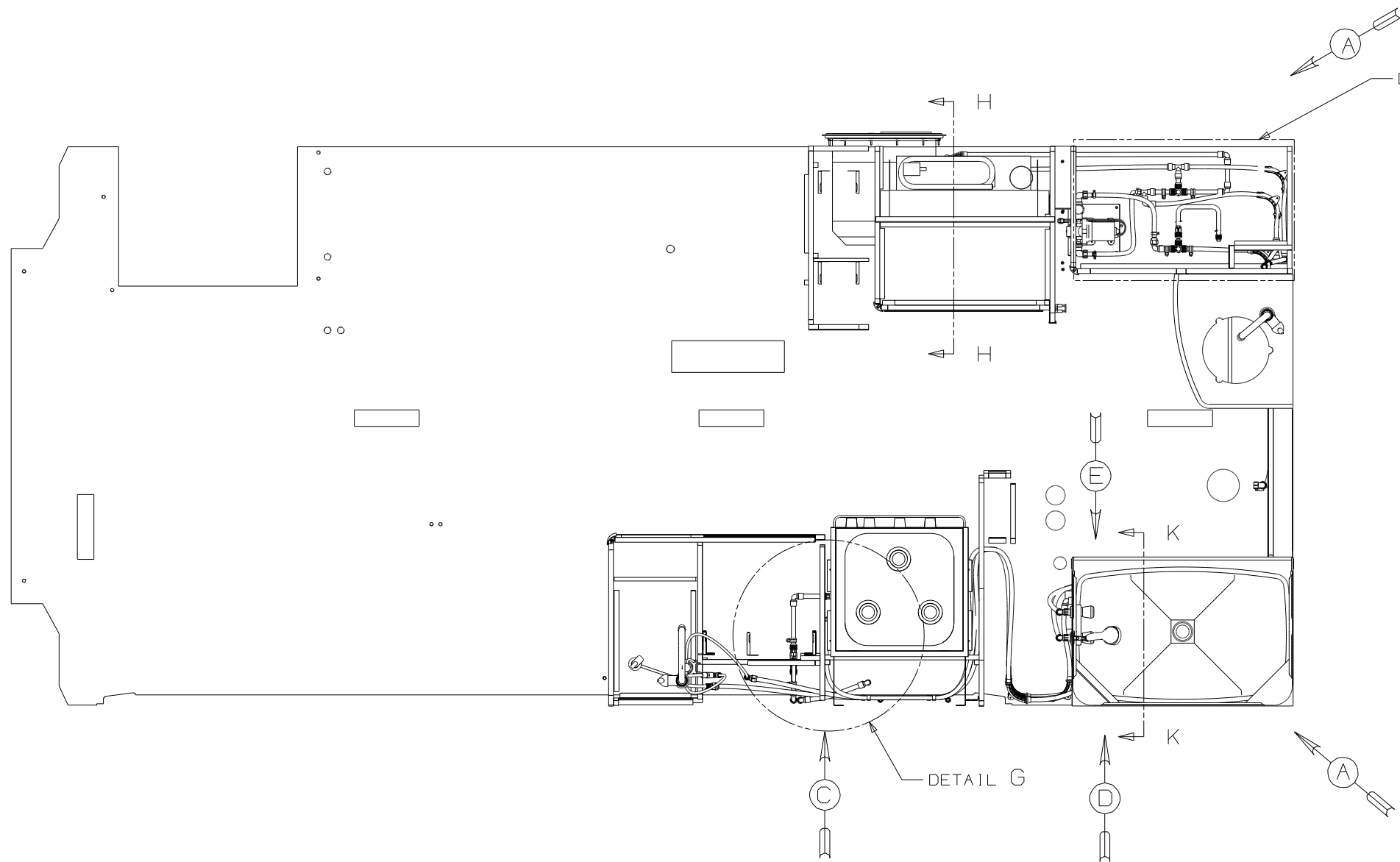


SECTION EB-EB (ROTATED)



SECTION EC-EC ROTATED

FIRST USED	10 524K	
TITLE	DO NOT SCALE DRAWING	
	DRAINAGE SYSTEM INSTL	
SHEET 5	PART NO	169016 REV



- (29B) WATER PURIFIER
- (501) WATER PURIFIER W/O
- (53E) WINTERIZING PKG
- (53F) WATER HEATER-ELEC. IGN.
- (53B) WTR HTR-6GAL ELECTRIC/LP GAS
- (64R) EXT WASH STATION
- (1J4) EXT WASH STATION W/O

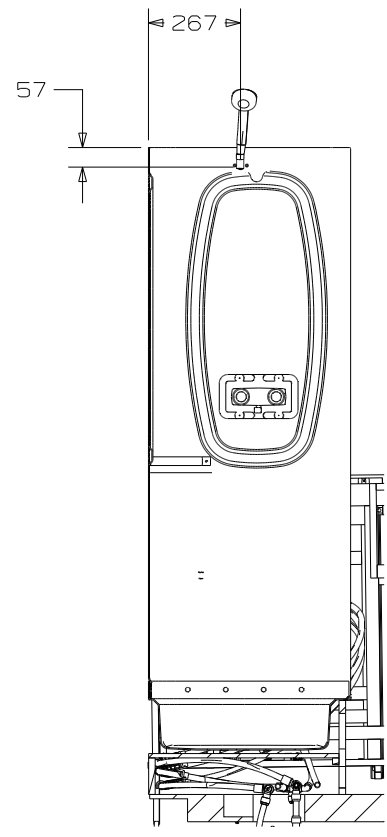
- △9 LAVATORY FAUCET SPOUT TO BE TURNER 180° SO CONTROLS ARE ON LEFT SIDE.
  - △8 INSTALL BETWEEN MOUNTING PLATE AND RETAINING NUTS.
  - △7 INSTALL CONNECTOR WITH TAPERED END AWAY FROM FAUCET.
  - △6 ADD TEFLON TAPE 010405-03-000.
  - △5 ADD TEFLON TAPE 010405-02-000.
  - △4 ADD TEFLON TAPE 010405-01-000.
3. ALL TUBING TO BE SECURED AT 1200 INTERVALS MAXIMUM WITH CLAMP 010495-01-000 AND SCREW 000G67-10-12B OR EQUIVALENT.
  2. TUBING TO BE INSTALLED WITH SUFFICIENT SLOPE TO PROVIDE DRAINAGE TO NEAREST VALVE.
  1. PLASTIC FITTINGS TO BE SEALED WITH SEALANT 084456-01-000.

<b>WINNEBAGO</b>		COPYRIGHT 2009 WINNEBAGO INDUSTRIES, INC.	
DFTR	ORIG. DATE	ALL DIMENSIONS ARE IN MILLIMETERS	
CHKR		FIRST USED	
P.E.		10 524K	
M.E.		UNSPECIFIED TOLERANCES ARE:	
DSNR		MATERIAL:	
		WHOLE DIM (X)	: 3
		ONE-PLACE (X.X)	: 1.5
		TWO-PLACE (X.XX)	: 0.50
		ANGLE	: 1°
THIRD ANGLE PROJECTION			
DO NOT SCALE DRAWING			
TITLE: WATER SYSTEM INSTL			
SHEET 1 OF 4	PART NO	169023	REV
REF:	11/19/2009		

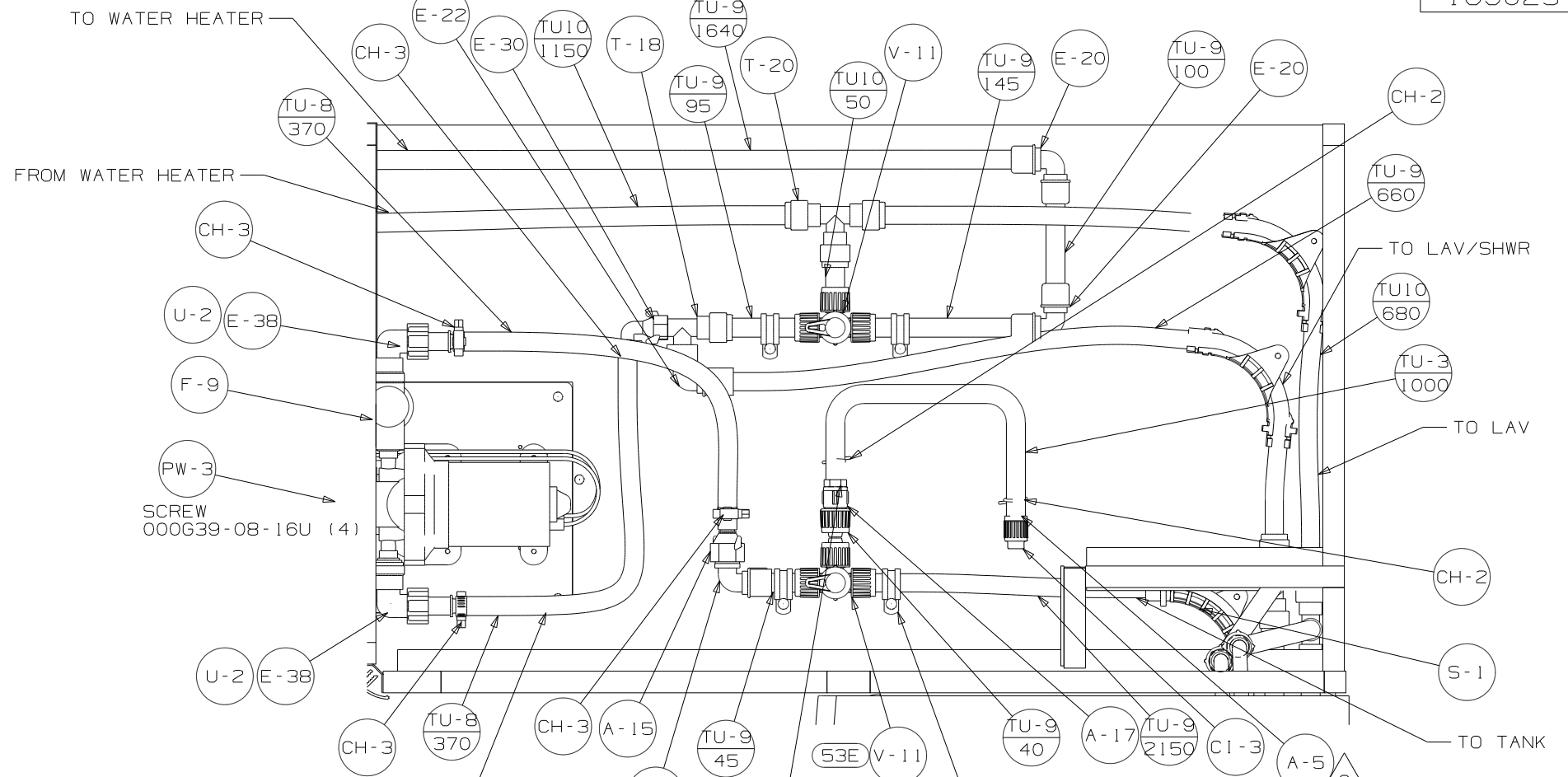
FOR  
WATER  
CALLOUTS  
SEE DWG NO  
116230-01-000

NOTES:





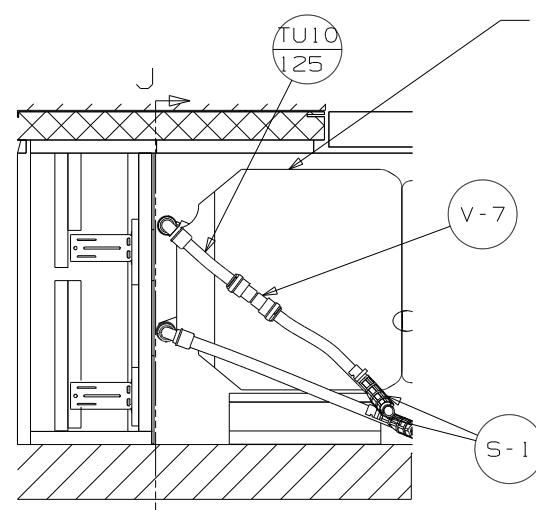
SECTION K-K



- PANEL - WATER PUMP 149477-02-CHT
- FOAM 140364-01-CHT
- SCREW 000G39-08-24U (4)

- CLAMP - CLOSED 010497-01-000 (4)
- SCREW 000G67-10-12U (4)

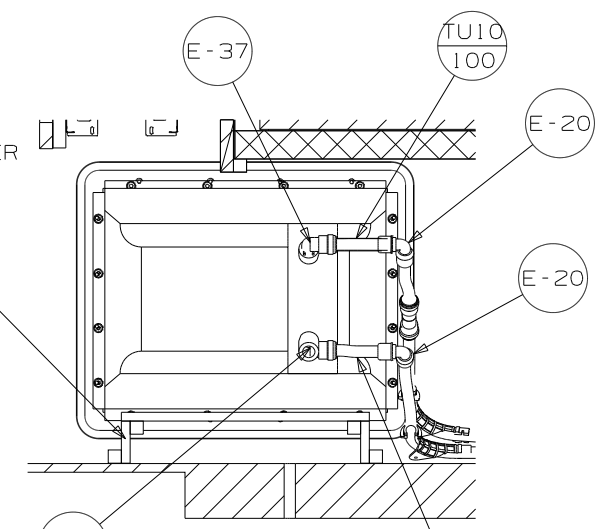
DETAIL B



SECTION H-H (ROTATED)

- WATER HEATER 051391-03-000 (53F)
- 145541-02-000 (53B)
- DOOR 125420-06-CHT
- CABLE 076767-03-000
- SCREW 000G11-06-08U (2)
- FLANGE 152239-01-CHT
- EXTR 165959-51-002 (2)
- EXTR 165959-51-004 (2)
- SCREWS 000G39-10-169 (16)

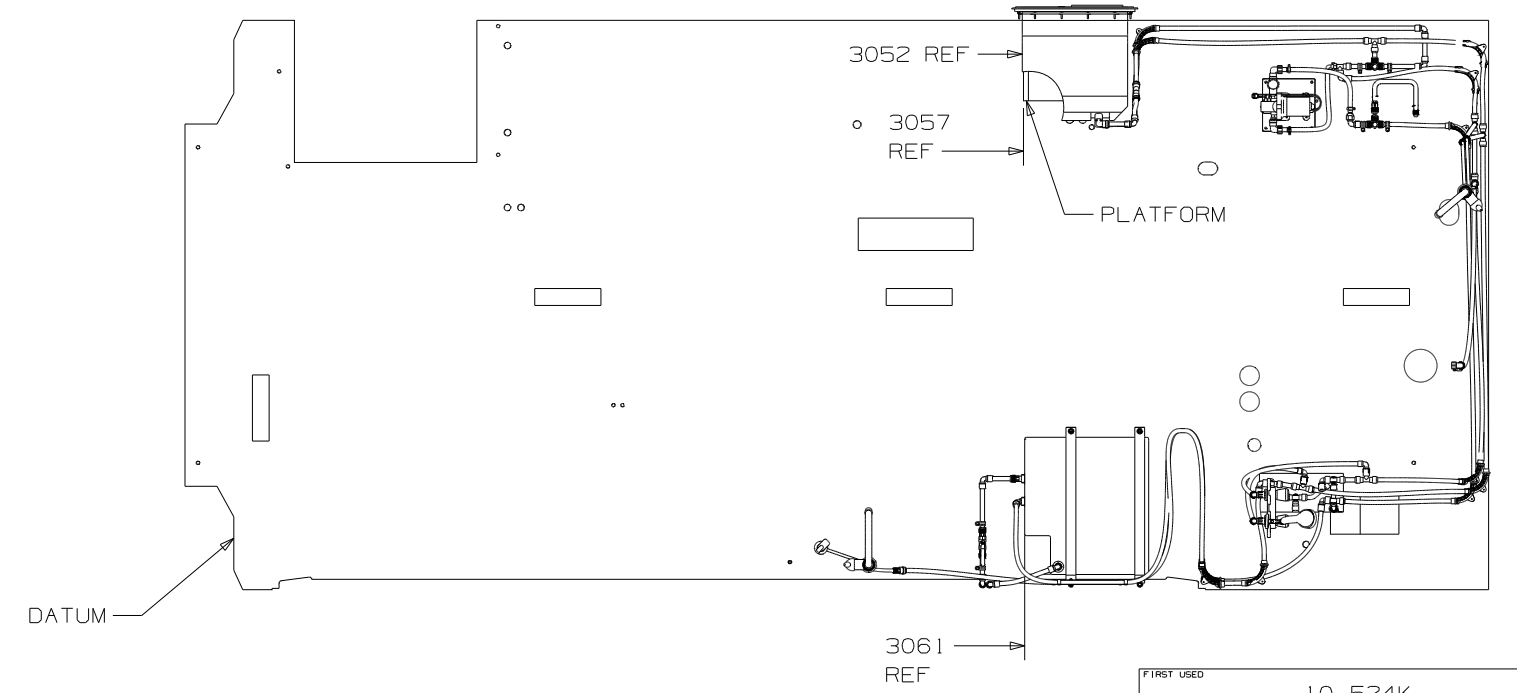
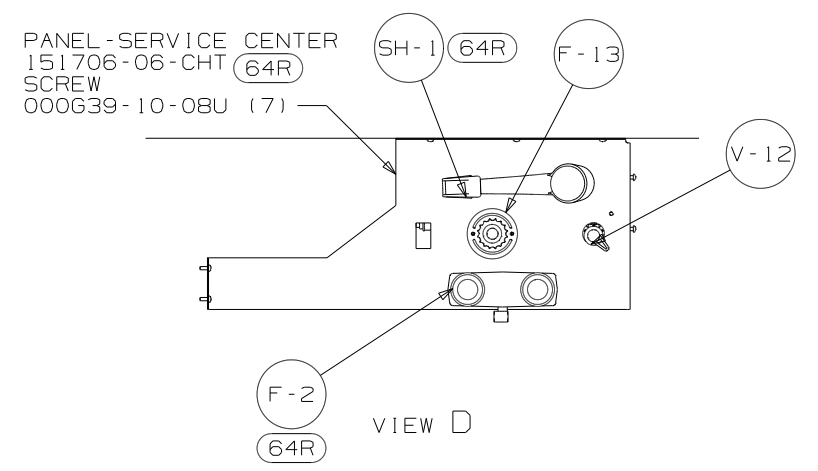
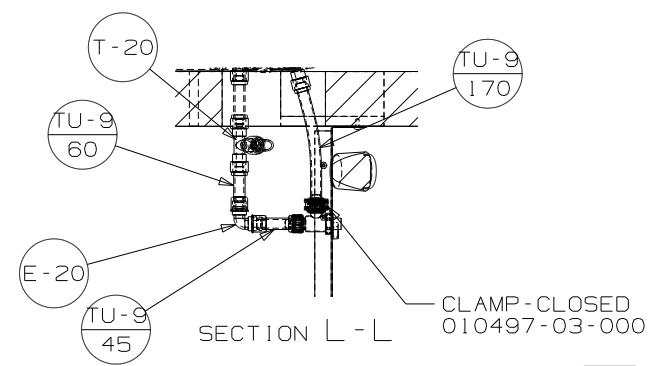
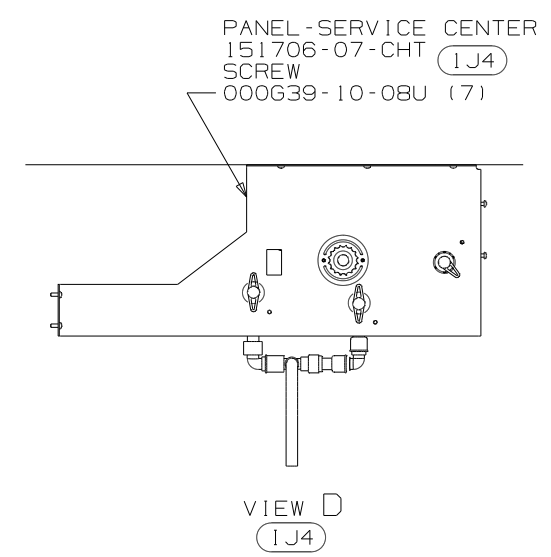
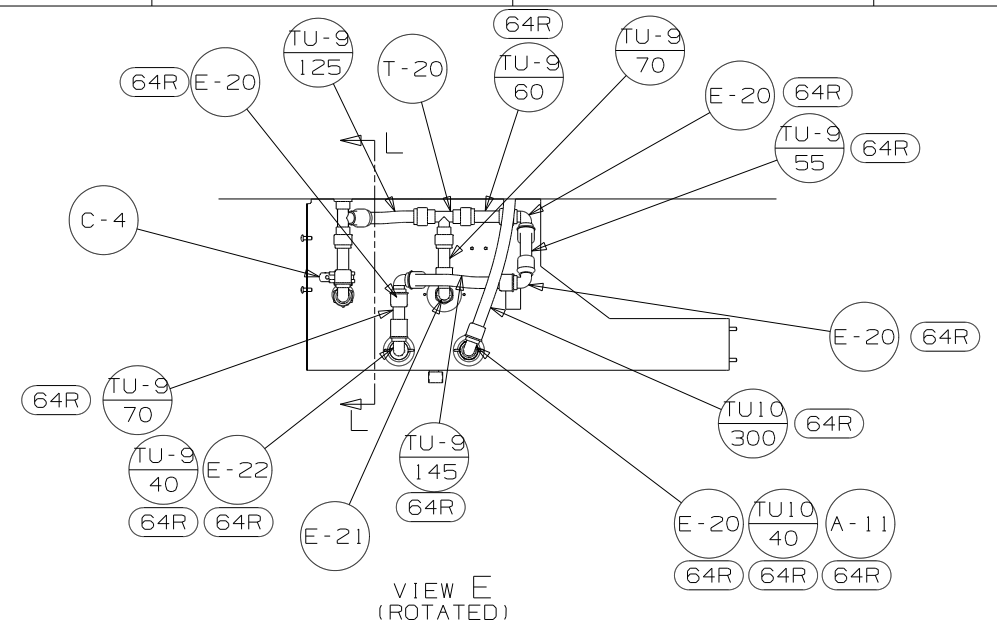
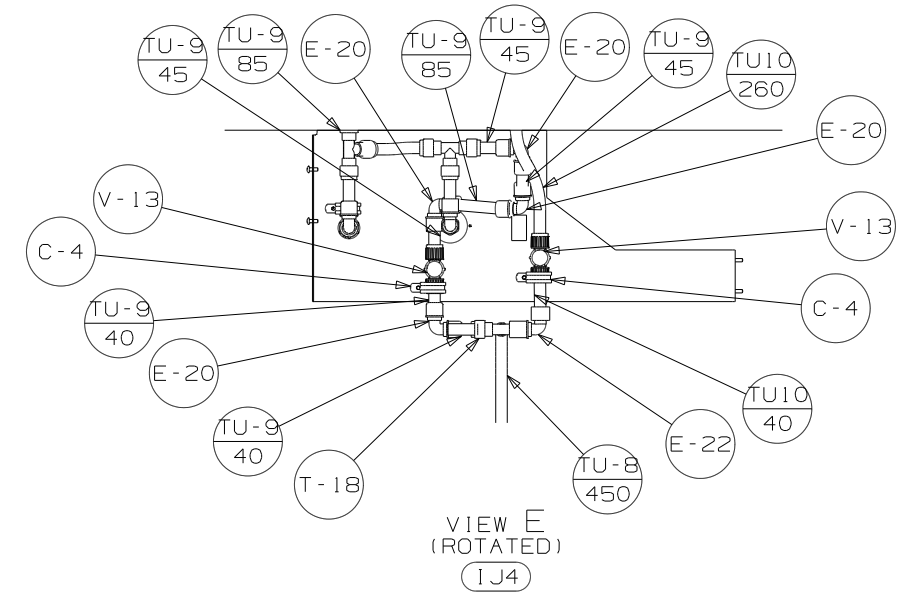
- PLATFORM ASM-WATER HEATER 144200-02-000



SECTION J-J

FIRST USED	10 524K
TITLE:	DO NOT SCALE DRAWING
SHEET 3	PART NO 169023 REV
I 11/19/2009	





FIRST USED	10 524K
TITLE:	DO NOT SCALE DRAWING
	WATER SYSTEM INSTL
SHEET 4	PART NO 169023 REV