

FRONT
OF
COACH

- (B1) CODES/STANDARDS-USA
- (265) CODES/STDS-CSA/CMVSS
- (23T) DRAINAGE SYSTEM-HEATED
- (1JD) DRAINAGE SYSTEM-HEATED-W/O
- (464) TOILET

- 7. USE SMOOTH PLUMBERS PUTTY 167459-01-000 TO SEAL STRAINER (.2 PER STAINER)
- 6. VENT PIPE MUST PROJECT 51 MIN AND 64 MAX ABOVE ROOF FOR PROPER FIT AND FUNCTION.
- 5. SEAL AROUND SHOWER WITH SILICONE.
- 4. SECURE VENT PIPE TO FLOOR WITH CLAMP 062401-02-000 (2), SCREW 000667-10-12B (2), BRACKET 136878-01-CHT (2).
- 3. ALL PIPE AND FITTINGS TO BE ASSEMBLED WITH SOLVENT 4020-01-000 (USA), 4020-02-000 (CAN)
- 2. SLOPE OF TRAP ARM MUST BE 6 PER 305 mm.
- 1. SLOPE OF HORIZONTAL PIPING TO BE MIN 3 PER 305 mm.

NOTES:

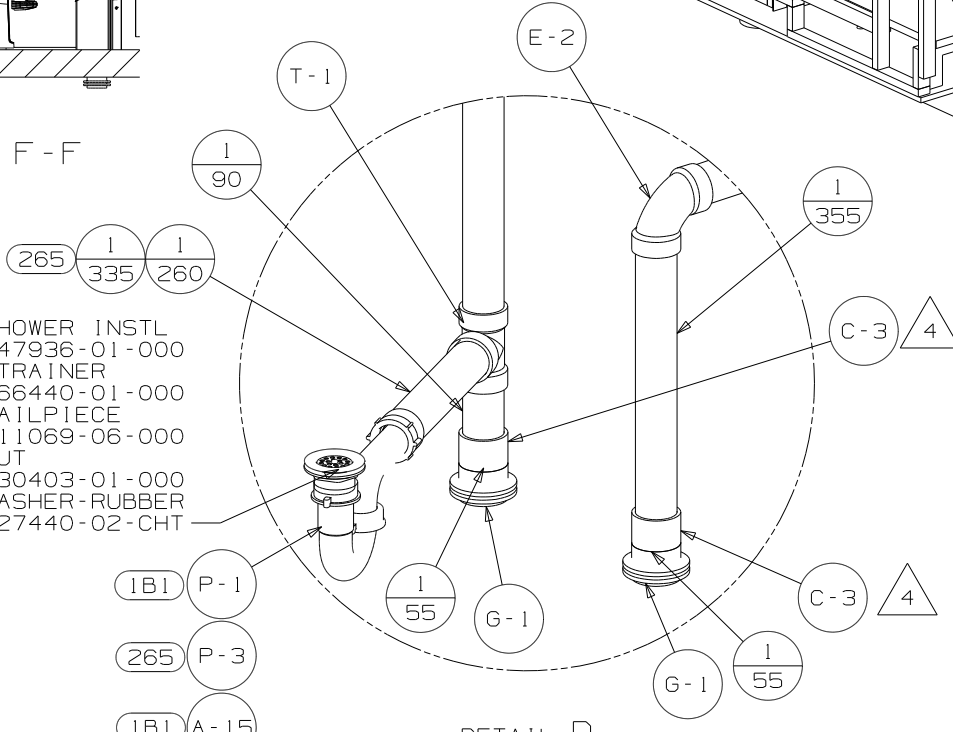
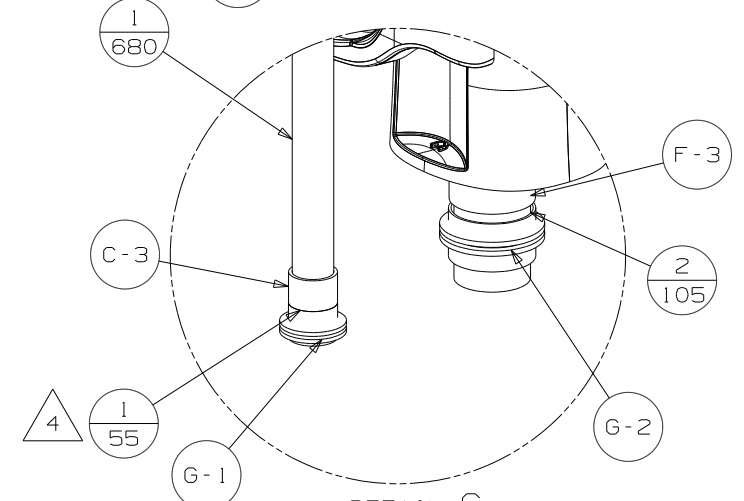
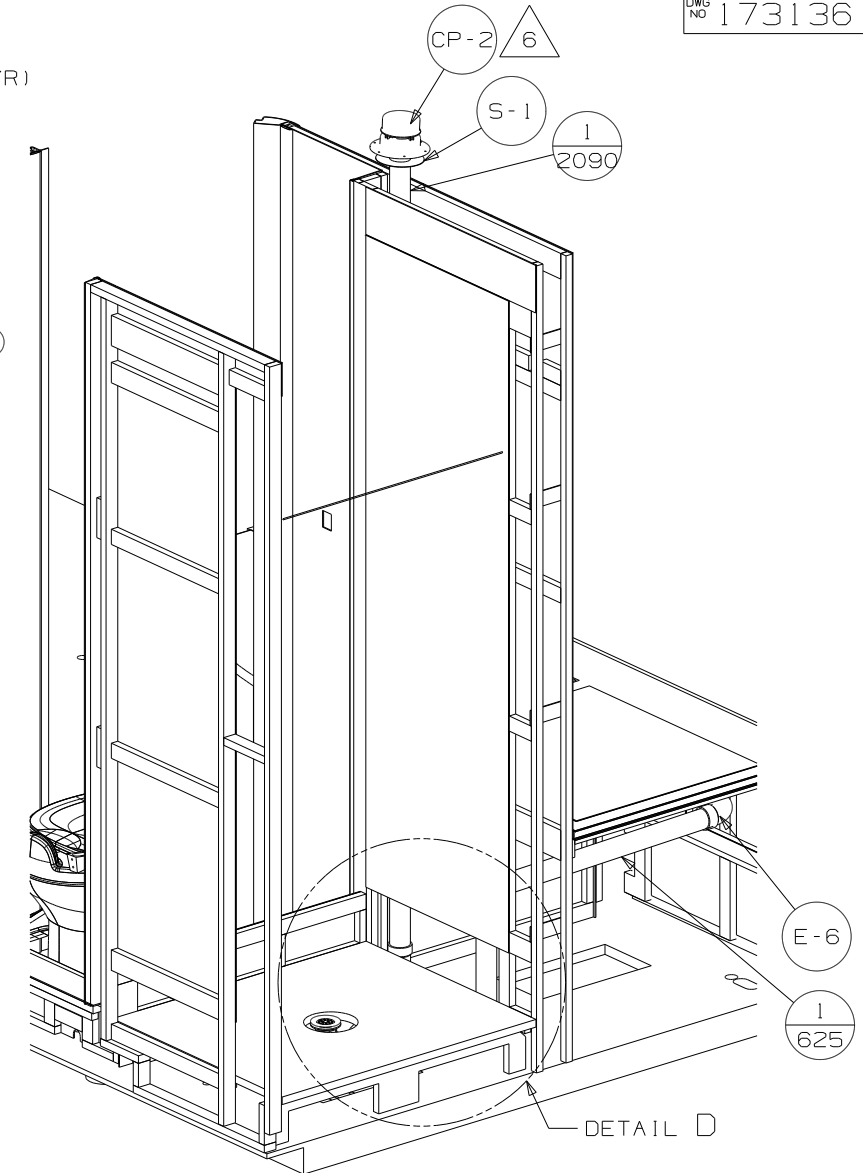
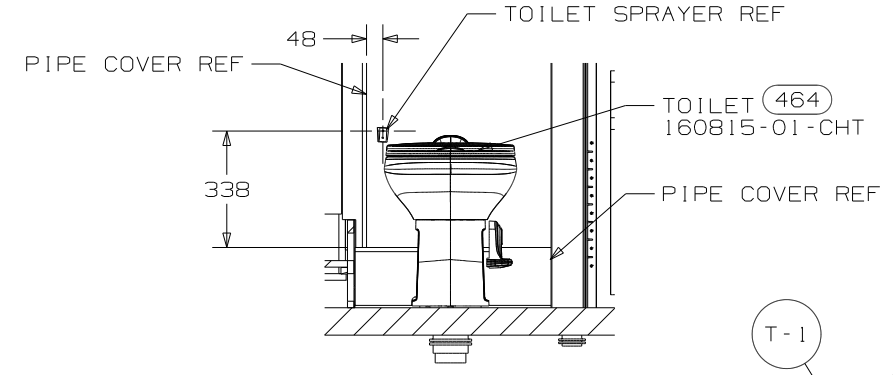
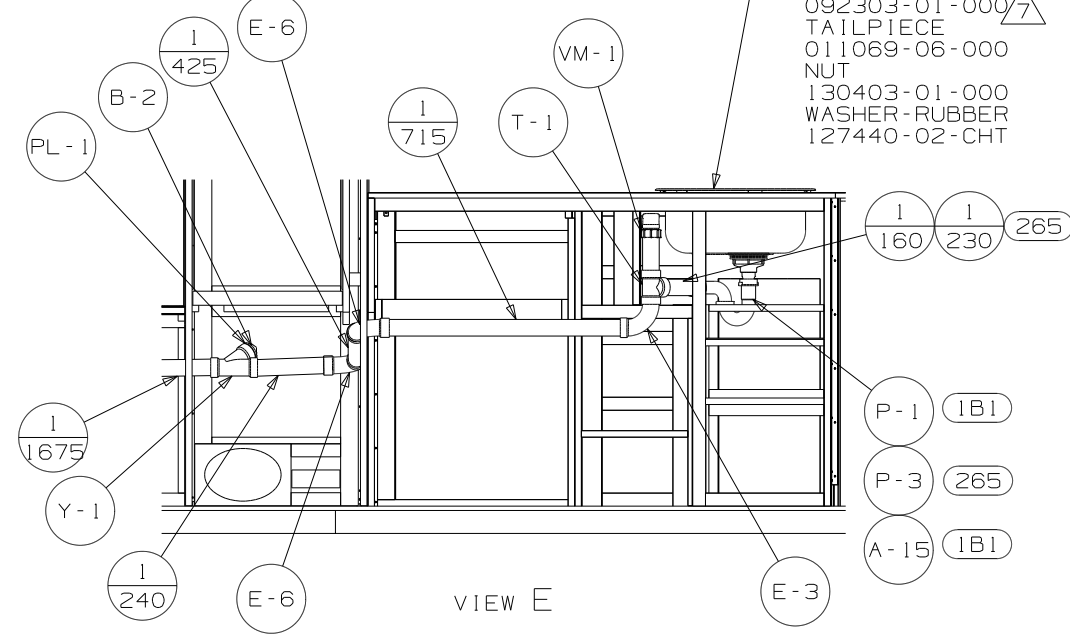
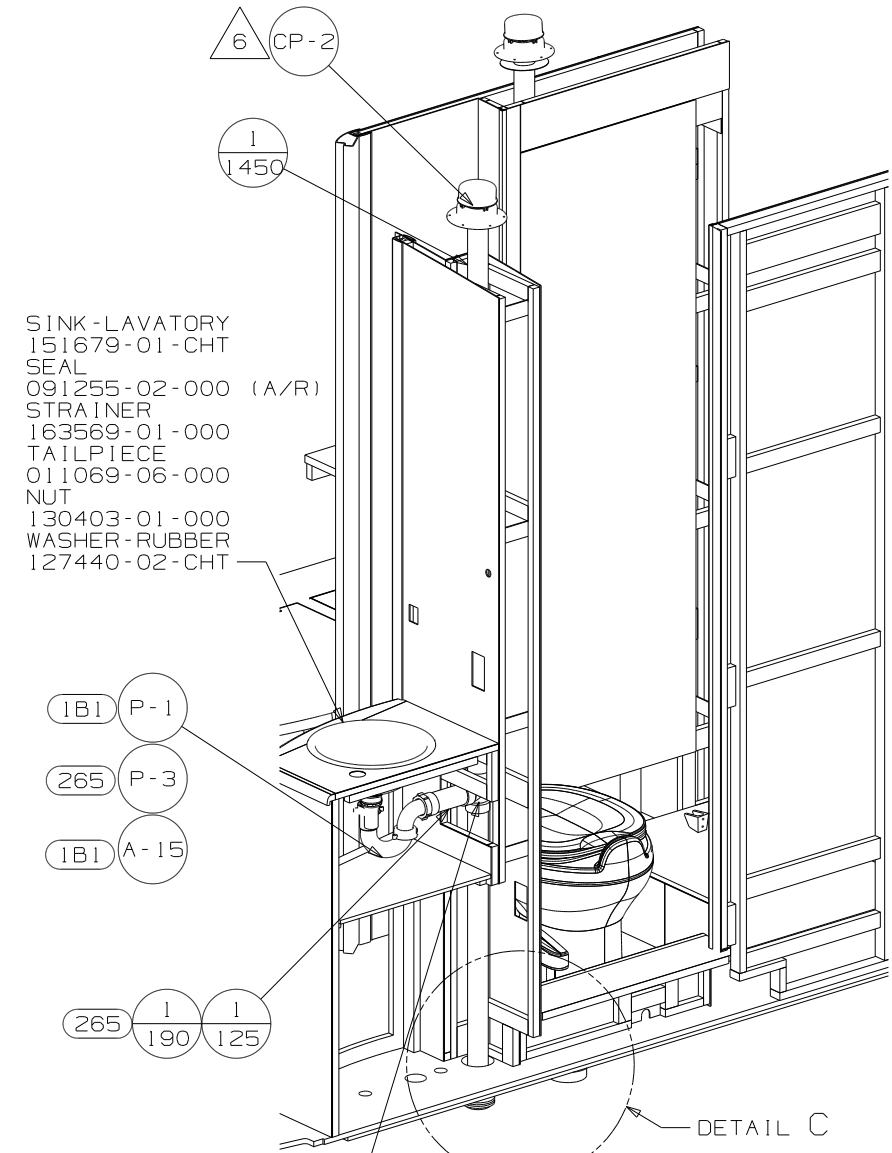
WINNEBAGO		COPYRIGHT 2009 WINNEBAGO INDUSTRIES, INC.	
D/FR	ORIG. DATE	ALL DIMENSIONS ARE IN MILLIMETERS	
CHKR		10 524J	
P.E.		FIRST USED	
M.E.			
DSNR			
UNSPECIFIED TOLERANCES ARE:		MATERIAL:	
WHOLE DIM (X)	: 3		
ONE-PLACE (X.X)	: 1.5		
TWO-PLACE (X.XX)	: 0.50		
ANGLE	: 1°		
THIRD ANGLE PROJECTION			
DO NOT SCALE DRAWING			
TITLE: DRAINAGE SYSTEM INSTL			
SHEET 1 OF 3	PART NO	173136	REV
REF:	1 9/28/2009		

(X-X)
FOR
DRAINAGE
CALLOUTS
SEE DWG NO
116229-01-000

SINK - LAVATORY
 151679-01-CHT
 SEAL
 091255-02-000 (A/R)
 STRAINER
 163569-01-000
 TAILPIECE
 011069-06-000
 NUT
 130403-01-000
 WASHER - RUBBER
 127440-02-CHT

GALLEY SINK
 165118-01-CHT
 SEAL
 091255-02-000 (A/R)
 STRAINER
 092303-01-000
 TAILPIECE
 011069-06-000
 NUT
 130403-01-000
 WASHER - RUBBER
 127440-02-CHT

SHOWER INSTL
 147936-01-000
 STRAINER
 066440-01-000
 TAILPIECE
 011069-06-000
 NUT
 130403-01-000
 WASHER - RUBBER
 127440-02-CHT



FIRST USED	10 524J
TITLE	DO NOT SCALE DRAWING
	DRAINAGE SYSTEM INSTL
SHEET 2	PART NO 173136 REV

INSULATION-DRAINAGE COMPT
120050-66-000

TANK - HOLDING, BLACK
152935-02-000

(23T) PAD-HEATER
133972-04-000

TANK - HOLDING
152934-03-000

INSULATION-DRAINAGE COMPT
120050-53-000

TANK - HOLDING, BLACK
152935-02-000

N-3

C-2

2
350

E-11

V-12

G

N-3

C-2

2
80

SHOWING TANKS AND DRAINS BELOW FLOOR

BOLT
000C26-06-12U (2)

ANGLE-FORMED, DRAINAGE COMPT
153146-01-CHT

BOLT
000C26-06-12U (2)

BRACKET-HOLDING TANK
151890-04-CHT

ULOCK-RISER
151437-02-CHT (2)
BOLT
000C12-06-20U (2)
NUT
000D39-06-00U (2)

STRAP-HLDG TANK MTG
153147-04-CHT

BOLT
000C26-06-12U (2)
NUT
000D39-06-00U (2)

STRAP-HLDG TANK
153148-06-CHT

STRAP-HLDG TANK
153147-02-CHT

STRAP-HLDG TANK MTG
153148-01-CHT

A-2

CP-1

H-1

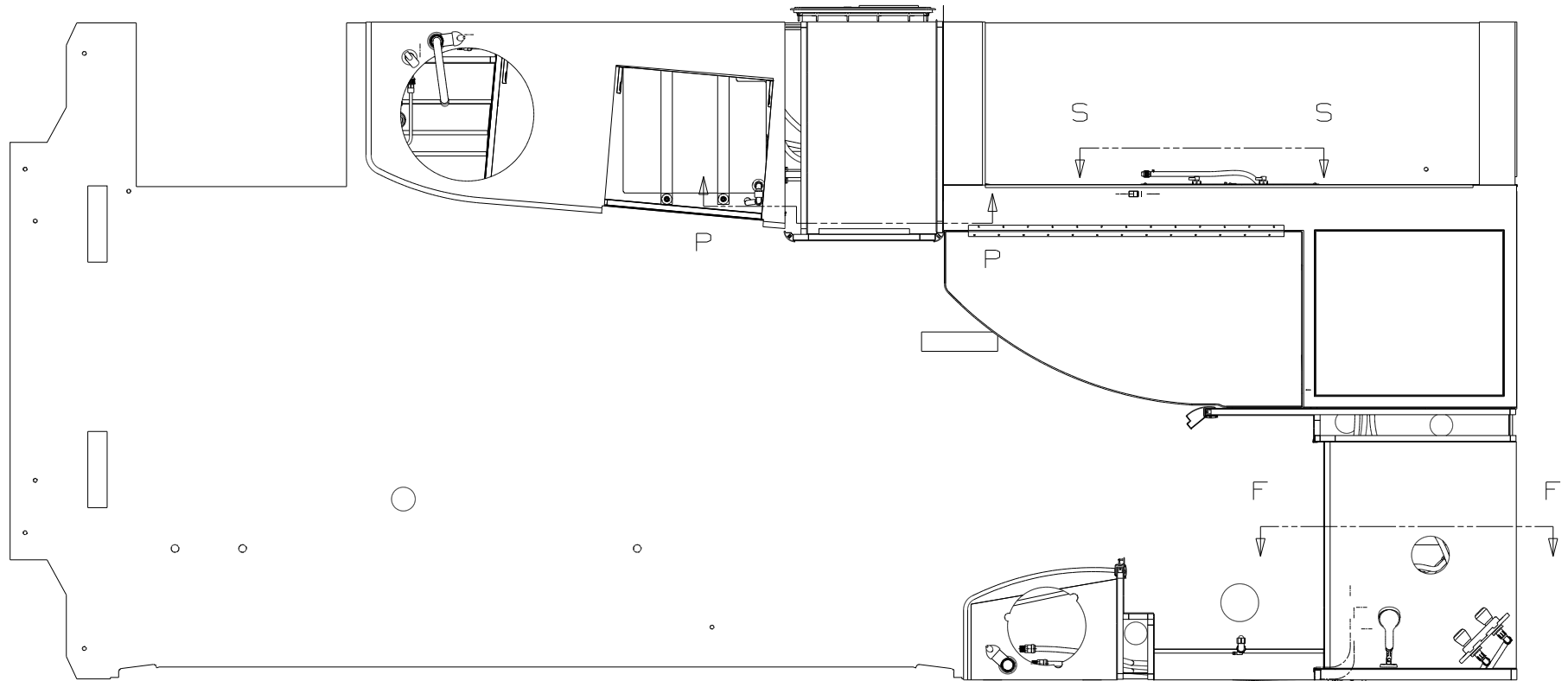
PAD-HEATER
133972-04-000 (23T)

PAD-HEATER
133972-03-000 (23T)

BRACKET-HOLDING TANK
151890-05-CHT
NUT
000D39-08-00T (2)

VIEW G

FIRST USED	10 524J
TITLE	DO NOT SCALE DRAWING
TITLE	DRAINAGE SYSTEM INSTL
SHEET 3	PART NO 173136 REV
1 9/28/2009	



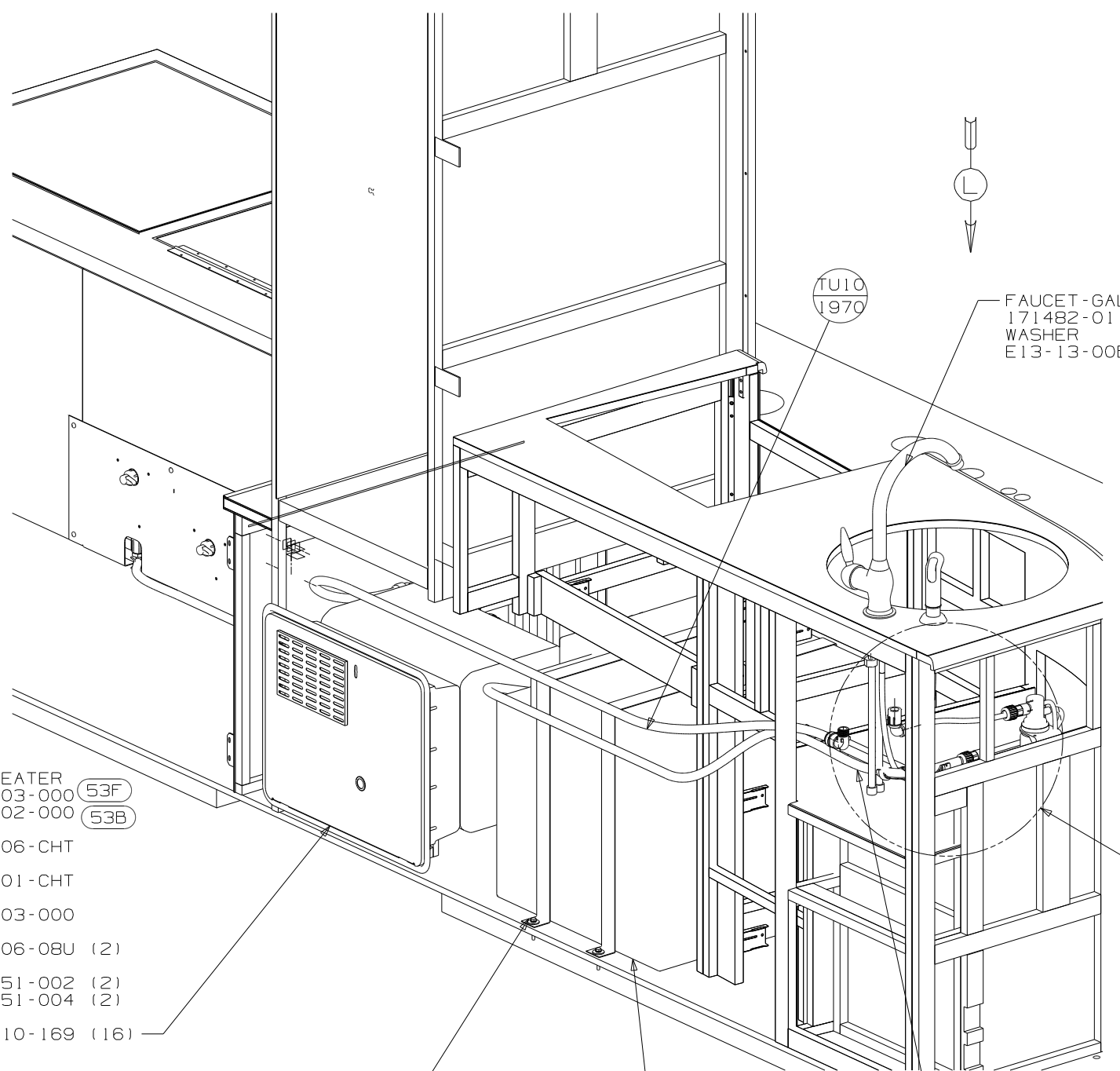
- (53E) WATER SYS WINTERIZATION PKG
- (53B) WTR HTR-6 GAL ELEC/LP/GAS
- (26B) WATER PURIFIER
- (501) WATER PURIFIER WITHOUT
- (53F) WATER HEATER-ELEC, IGNITION
- (64R) EXTERIOR WASH STATION
- (1J4) EXT WASH STATION-WITHOUT

- △ 10 TURN FACUET HANDLE TO AVOID INTERFERENCE WITH WINDOW SHADE.
 - △ 9 INSTALL BETWEEN MOUNTING PLATE & RETAINING NUTS.
 - △ 8 ADD PIPE WRAP INSULATION (LADDER SCRAP) 110157-02-000.
 - △ 7 INSTALL CONNECTOR WITH TAPERED END AWAY FROM FAUCET.
 - △ 6 ADD TEFLON TAPE 10405-03-000.
 - △ 5 ADD TEFLON TAPE 10405-02-000.
 - △ 4 ADD TEFLON TAPE 10405-01-000.
3. ALL TUBING TO BE SECURED AT 1200 INTERVALS MAXIMUM WITH CLAMP 10495-01-000 AND SCREW G67-10-12B OR EQUIVALENT.
 2. TUBING TO BE INSTALLED WITH SUFFICIENT SLOPE TO PROVIDE DRAINAGE TO NEAREST VALVE.
 1. PLASTIC FITTINGS TO BE SEALED WITH SEALANT 84456-01-000.

NOTES:

FOR WATER CALLOUTS SEE DWG NO 116230-01-000

WINNEBAGO		COPYRIGHT 2009 WINNEBAGO INDUSTRIES, INC.	
DFTR	ORIG. DATE	ALL DIMENSIONS ARE IN MILLIMETERS	
CHKR		FIRST USED	
P.E.		10 524J	
M.E.		UNSPECIFIED TOLERANCES ARE:	
DSNR		MATERIAL:	
		WHOLE DIM (X)	: 3
		ONE-PLACE (X.X)	: 1.5
		TWO-PLACE (X.XX)	: 0.50
		ANGLE	: 1°
THIRD ANGLE PROJECTION		DO NOT SCALE DRAWING	
TITLE: WATER SYSTEM INSTL			
SHEET 1 OF 5	PART NO	173143	REV
REF:	1 10/29/2009		



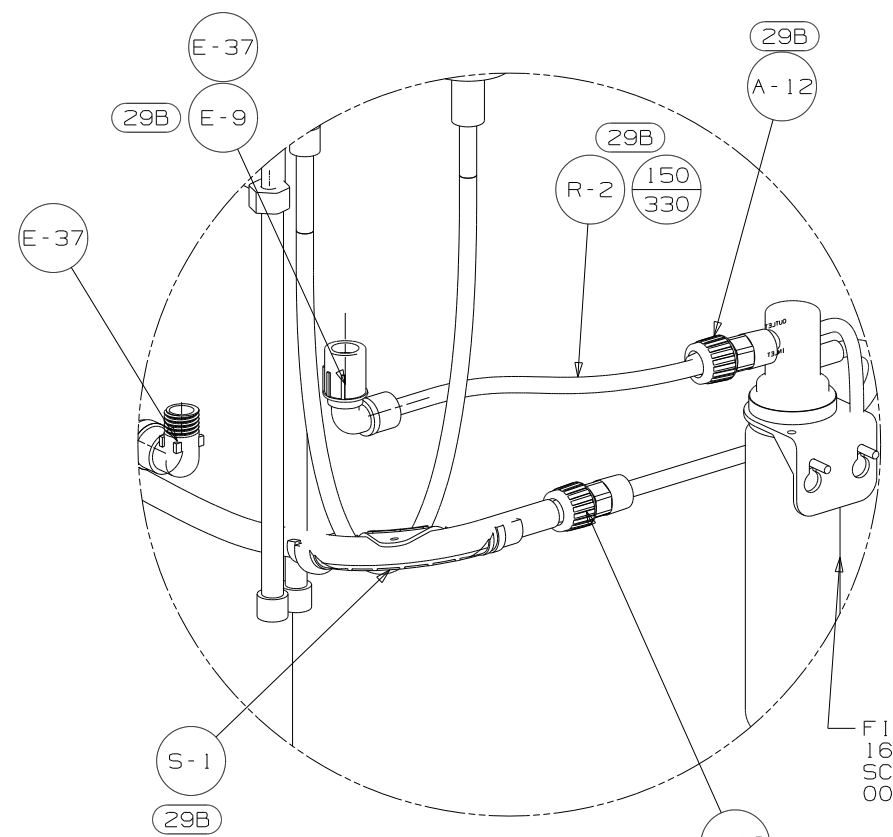
- WATER HEATER
- 051391-03-000 (53F)
- 145541-02-000 (53B)
- DOOR
- 125420-06-CHT
- FLANGE
- 152239-01-CHT
- CABLE
- 076767-03-000
- SCREW
- 000G11-06-08U (2)
- EXTR
- 165959-51-002 (2)
- 165959-51-004 (2)
- SCREW
- 000G39-10-169 (16)

- STRAP-TANK, WATER
- 118994-09-CHT (2)
- STL-PIPE
- 010644-51-002 (2)
- SCREW
- 000G42-04-24B (2)
- WASHER
- 000E13-16-00U (2)
- BOLT
- 000C16-05-96U (2)
- NUT
- 000D39-05-00U (2)
- WASHER
- 000E13-22-00U (4)

FAUCET-GAL, SGL
171482-01-CHT
WASHER
E13-13-00B (2)

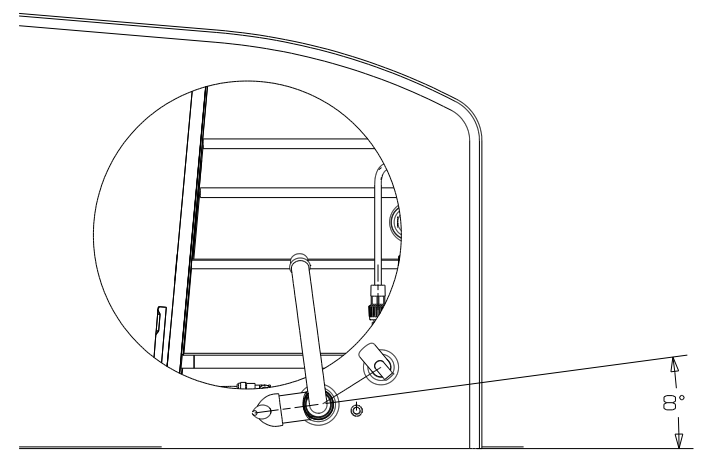
TANK ASM-WATER
151550-05-000

VIEW D



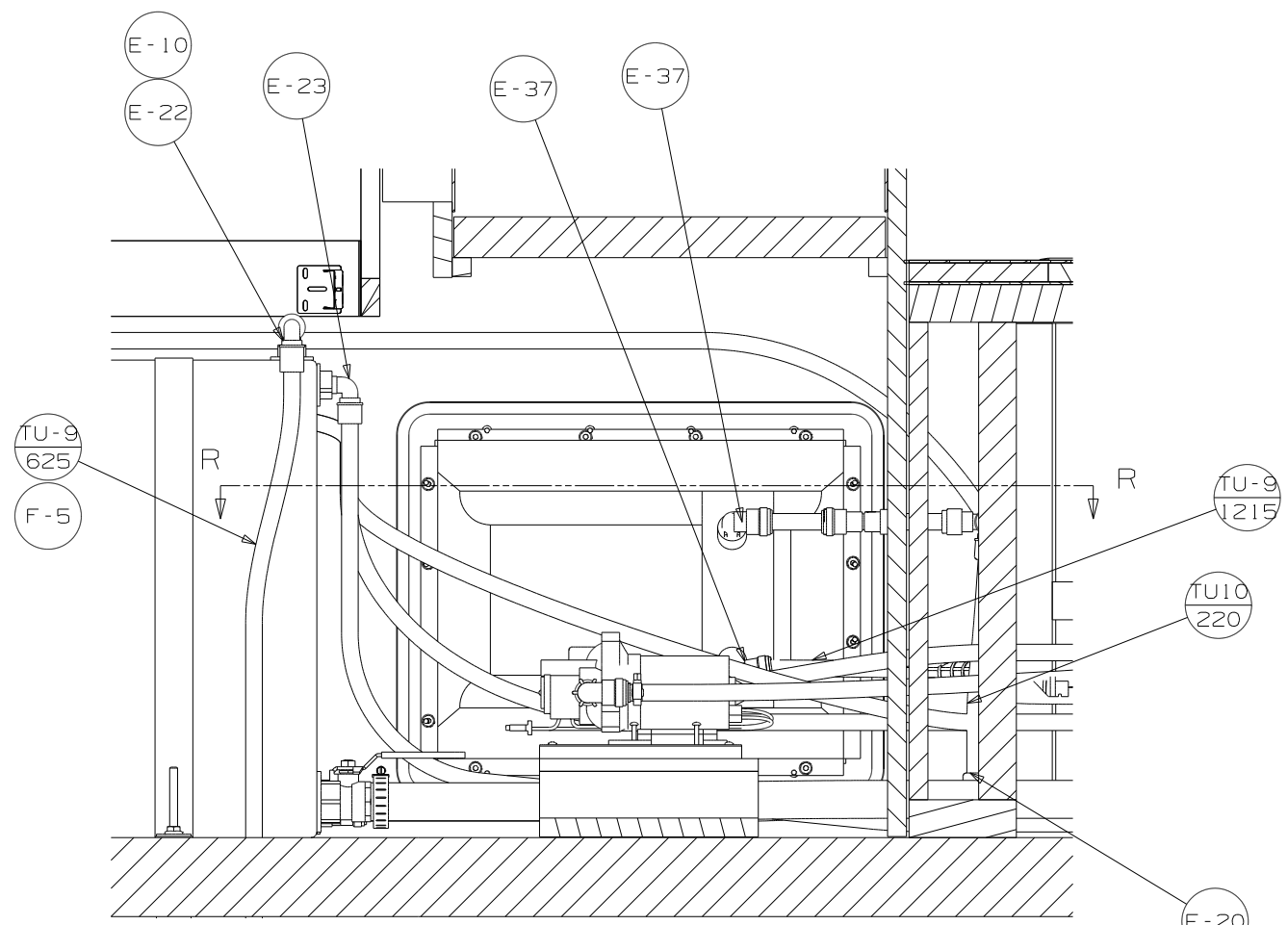
DETAIL E
(SHOWN W/OUT CABINETS)

FILTER KIT-WATER
160946-03-000
SCREW
000G67-10-12U (2)

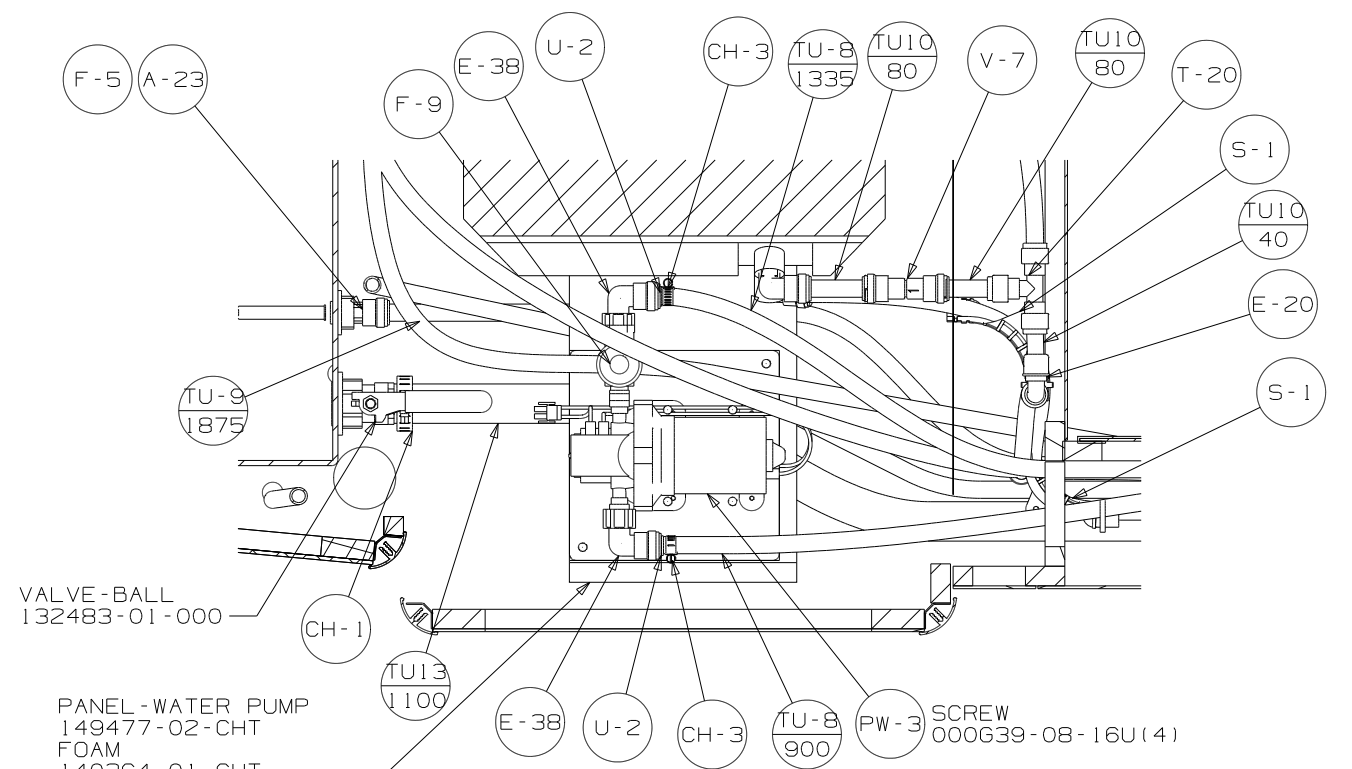


VIEW L
10

FIRST USED	10 524J
TITLE:	DO NOT SCALE DRAWING
	WATER SYSTEM INSTL
SHEET 3	PART NO 173143 REV



SECTION P-P



VALVE-BALL
132483-01-000

PANEL-WATER PUMP
149477-02-CHT
FOAM
140364-01-CHT
SCREW
000639-08-24U (4)
PLATFORM
144200-03-000

SECTION R-R

FIRST USED	10 524J
DO NOT SCALE DRAWING	
TITLE:	WATER SYSTEM INSTL
SHEET 5	PART NO 173143 REV