

- (1B1) CODES/STANDARDS USA
- (265) CODES/STANDARDS-CSA/CMVSS
- (1JD) DRAINAGE SYSTEM-HEATED-W/O
- (23T) DRAINAGE SYSTEM-HEATED

9. FOLLOW SEWAGE MACERATOR PUMP WINTERIZATION PROCEDURE. EACH PUMP REQUIRES TWO GALLONS OF RV ANTIFREEZE 157665-02-000.
8. SECURE DRAINAGE PIPES TO CABINET USING WIRE TIE 108046-02-000, AND SCREW 000G67-10-12B AT INTERVALS OF NOT MORE THAN 4 FEET APART.
7. SECURE VENT PIPE TO FLOOR WITH CLAMP 062401-02-000 (2), SCREW 000G67-10-12B (2), BRACKET 136878-01-CHT (2).
6. VENT PIPE MUST PROJECT 51 MIN AND 64 MAX ABOVE ROOF FOR PROPER FIT AND FUNCTION.
5. SEAL AROUND SHOWER WITH SILICONE.
4. DRILL AND INSTALL AT ASSEMBLY.
3. ALL PIPE AND FITTINGS TO BE ASSEMBLED WITH SOLVENT 004020-01-000 (USA), 004020-02-000 (CAN)
2. SLOPE OF TRAP ARM MUST BE 6 PER 305 mm.
1. SLOPE OF HORIZONTAL PIPING TO BE MINIMUM OF 3 PER 305 mm.

NOTES:

WINNEBAGO		COPYRIGHT 2010 WINNEBAGO INDUSTRIES, INC.	
DFTR	ORIG. DATE	ALL DIMENSIONS ARE IN MILLIMETERS	
CHKR		FIRST USED	
P.E.		10 524DL	
M.E.		UNSPECIFIED TOLERANCES ARE:	
DSNR		MATERIAL:	
		WHOLE DIM (X)	: 3
		ONE-PLACE (X.X)	: 1.5
		TWO-PLACE (X.XX)	: 0.50
		ANGLE	: 1°
THIRD ANGLE PROJECTION		DO NOT SCALE DRAWING	
TITLE: DRAINAGE SYSTEM INSTL			
SHEET 1 OF 5	PART NO	172604	REV
REF:	1 1/6/2010		

FOR
DRAINAGE
CALLOUTS
SEE DWG NO
116229-01-000



SHOWER INSTL
 163706-01-000
 STRAINER
 066440-01-000
 SEALANT
 084456-01-000
 ELBOW
 131486-01-000

SINK-LAVATORY
 151679-01-CHT
 SEAL
 091255-02-000 (A/R)
 STRAINER
 163569-01-000
 TAILPIECE
 011069-05-000
 NUT
 130403-01-000
 WASHER-RUBBER
 127440-02-CHT

STRAP-CONDUIT, 2"
 8406-01-000

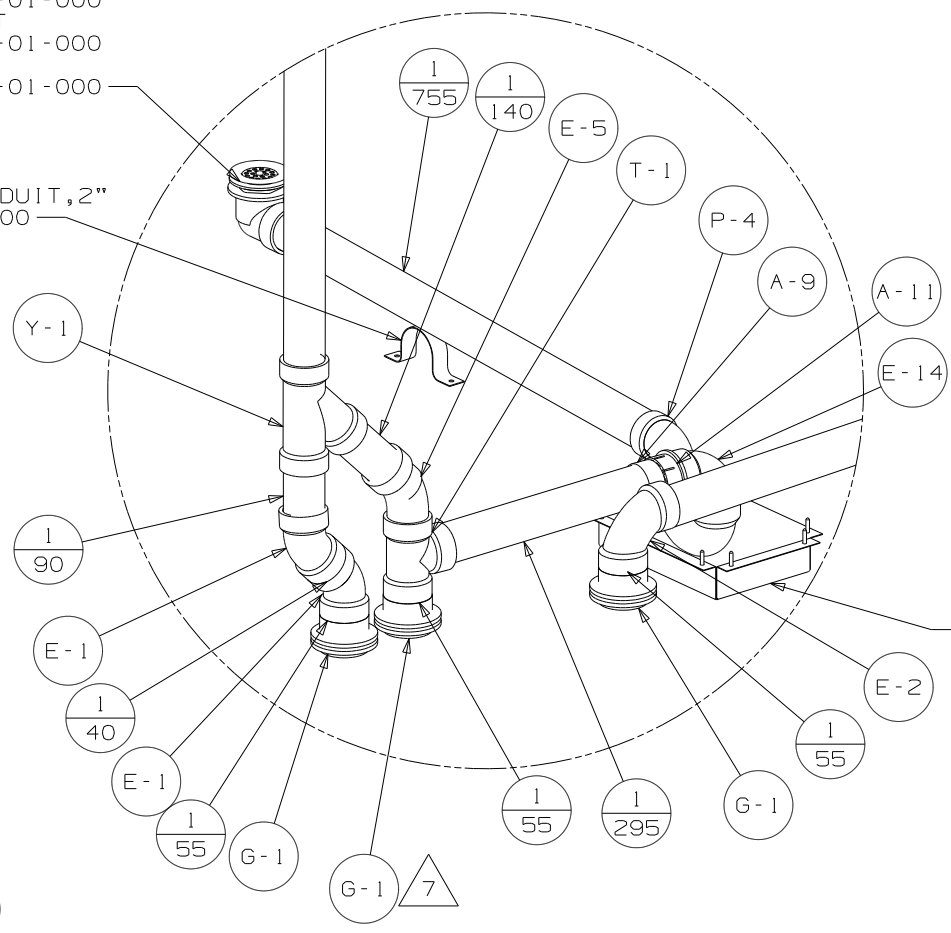
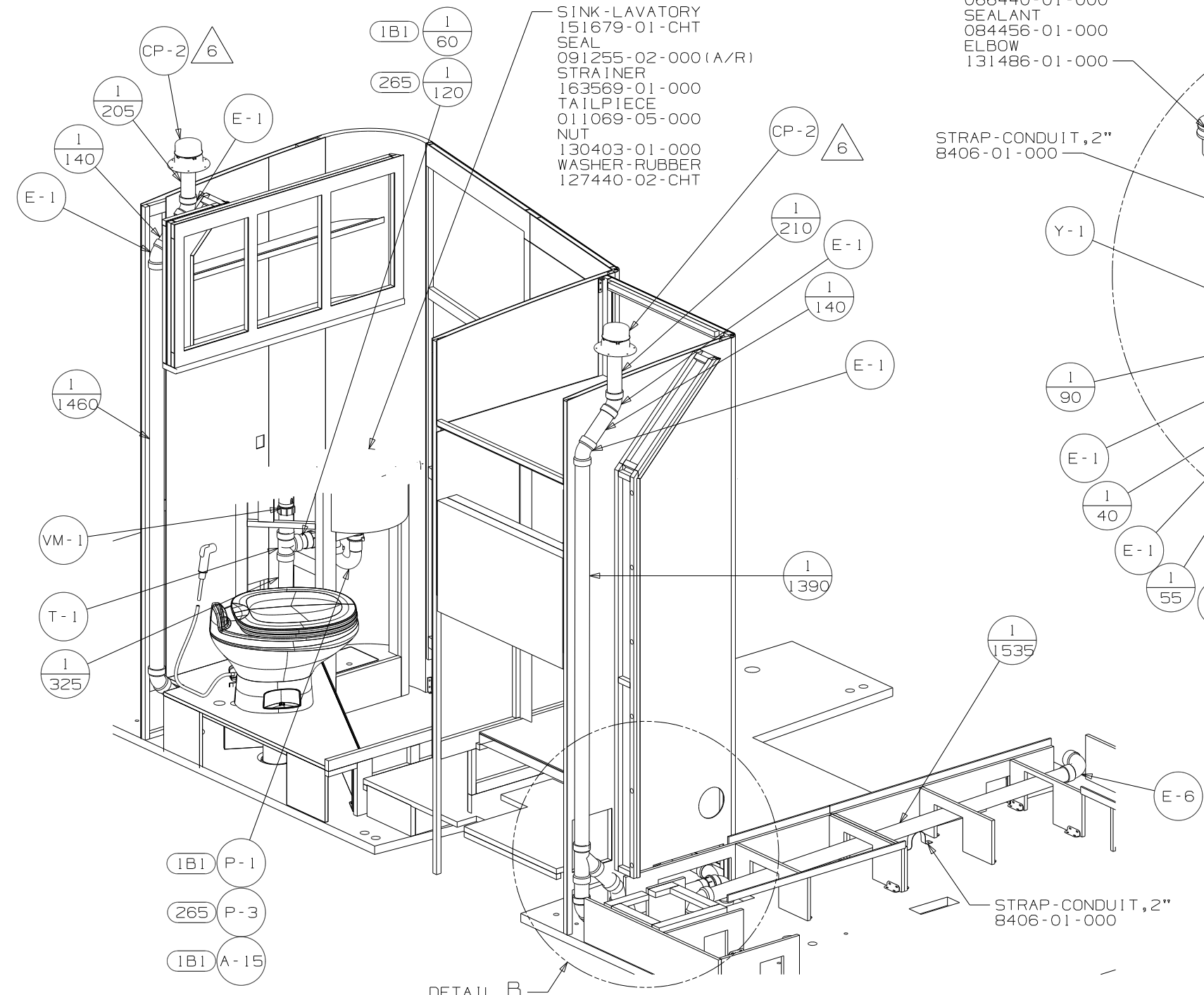
COVER
 164512-01-CHT
 SCREW
 000667-08-12U(8)

DETAIL B
 (SHOWN W/OUT FLOOR & CABINETS)

STRAP-CONDUIT, 2"
 8406-01-000

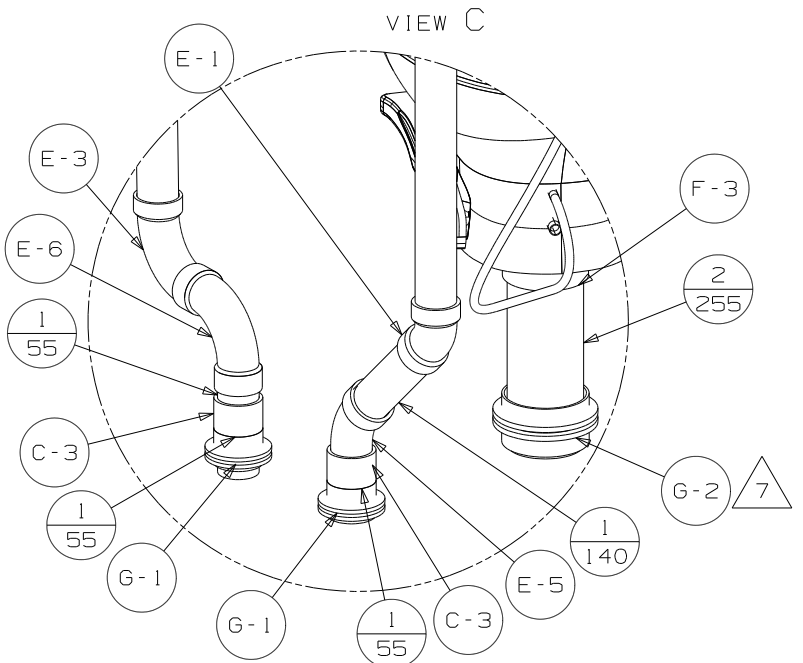
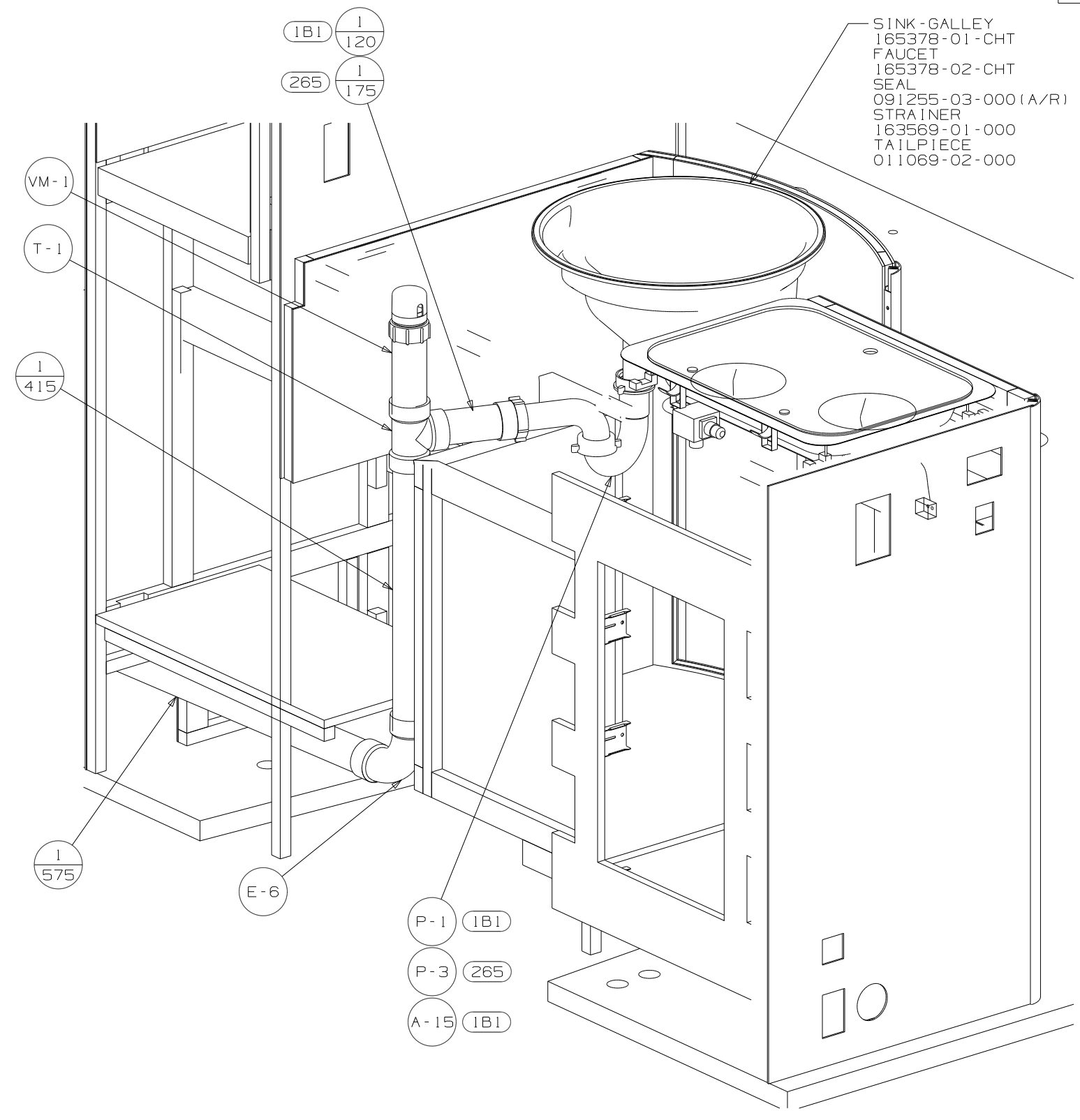
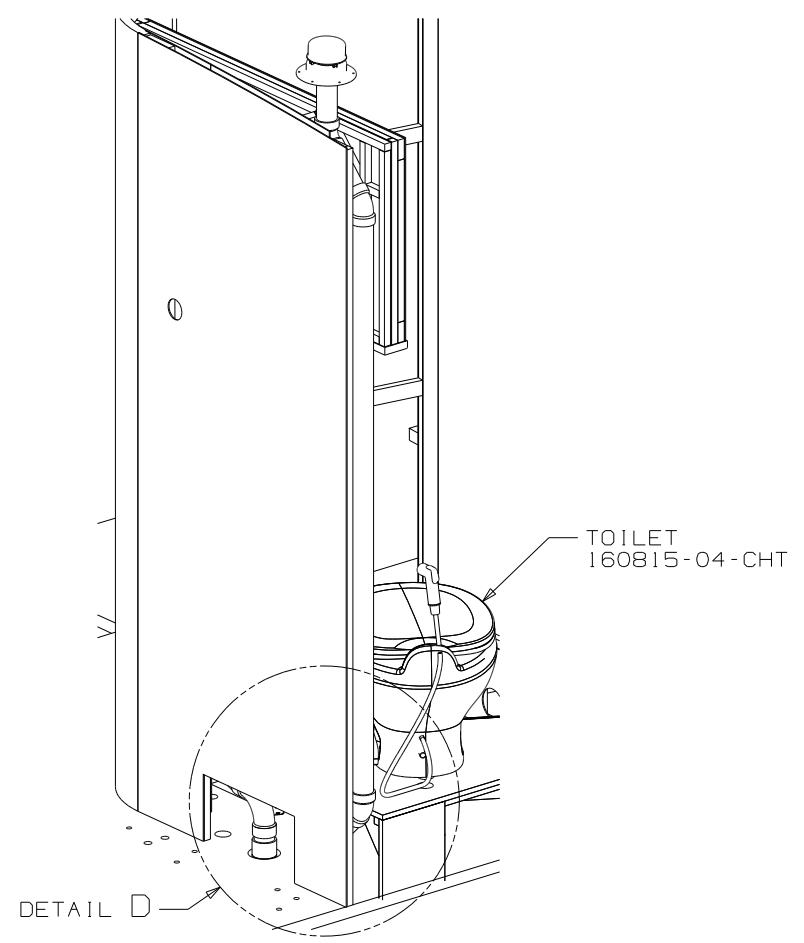
DETAIL B

VIEW A



FIRST USED	10 524DL		
TITLE	DO NOT SCALE DRAWING		
	DRAINAGE SYSTEM INSTL		
SHEET 2	PART NO	172604	REV
			1 1/6/2010

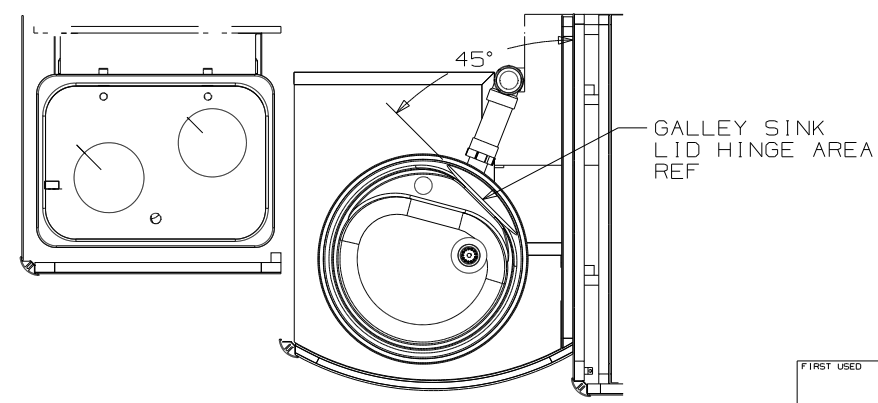
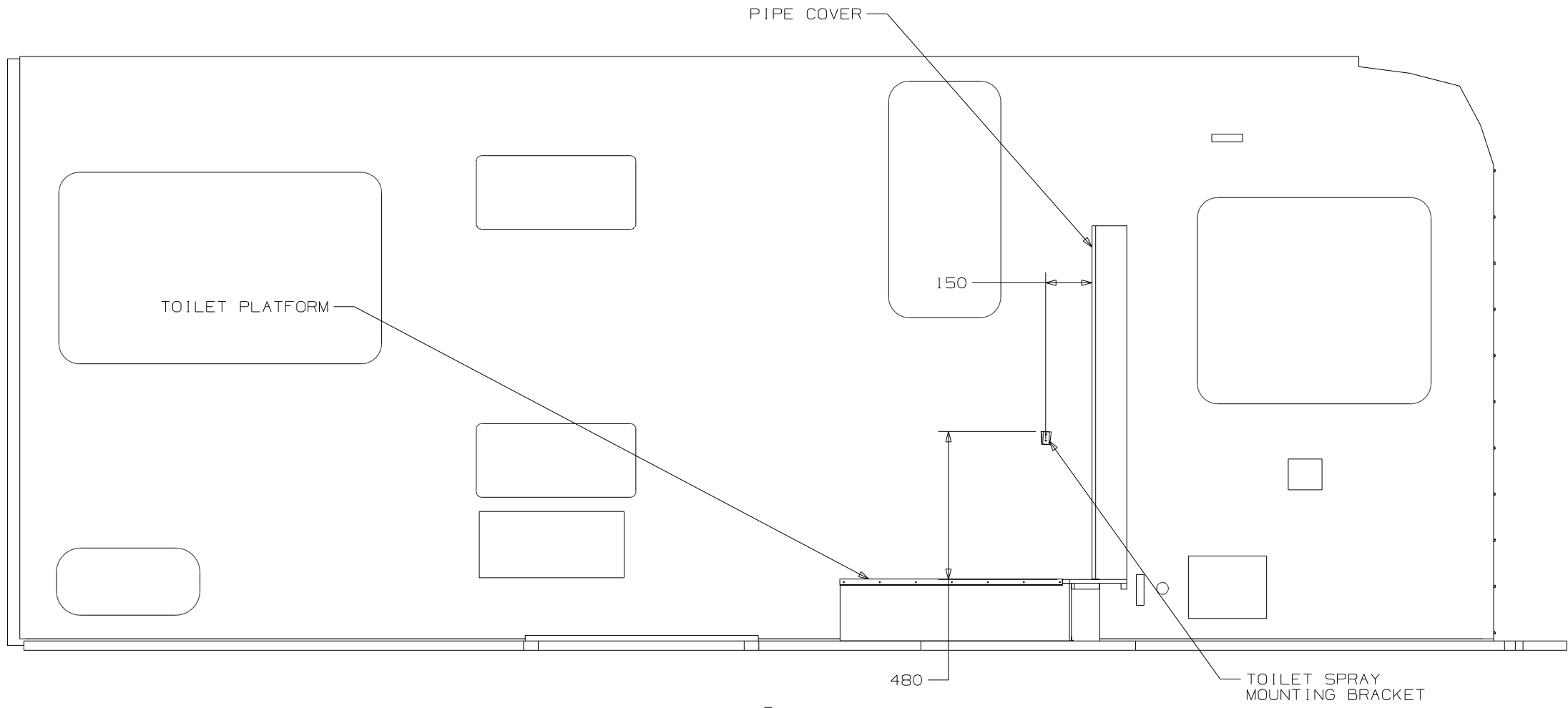
- SINK - GALLEY
- 165378-01-CHT
- FAUCET
- 165378-02-CHT
- SEAL
- 091255-03-000 (A/R)
- STRAINER
- 163569-01-000
- TAILPIECE
- 011069-02-000



DETAIL D
(SHOWN W/OUT FLOOR & CABINETS)

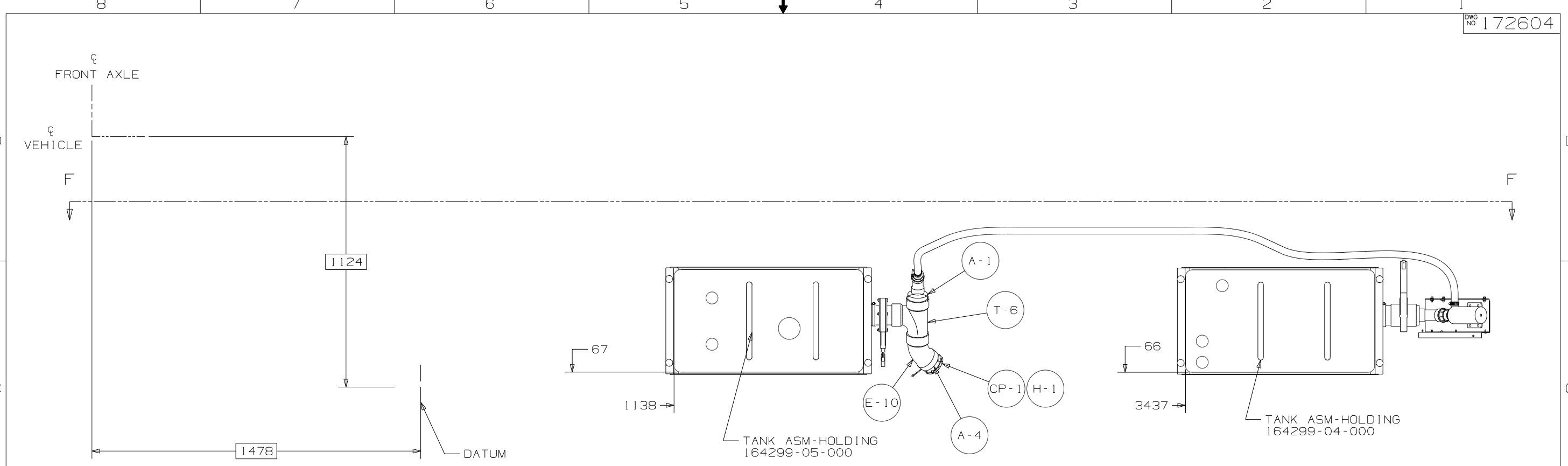
VIEW E

FIRST USED	10 524DL
DO NOT SCALE DRAWING	
TITLE:	DRAINAGE SYSTEM INSTL
SHEET 3	PART NO 172604 REV

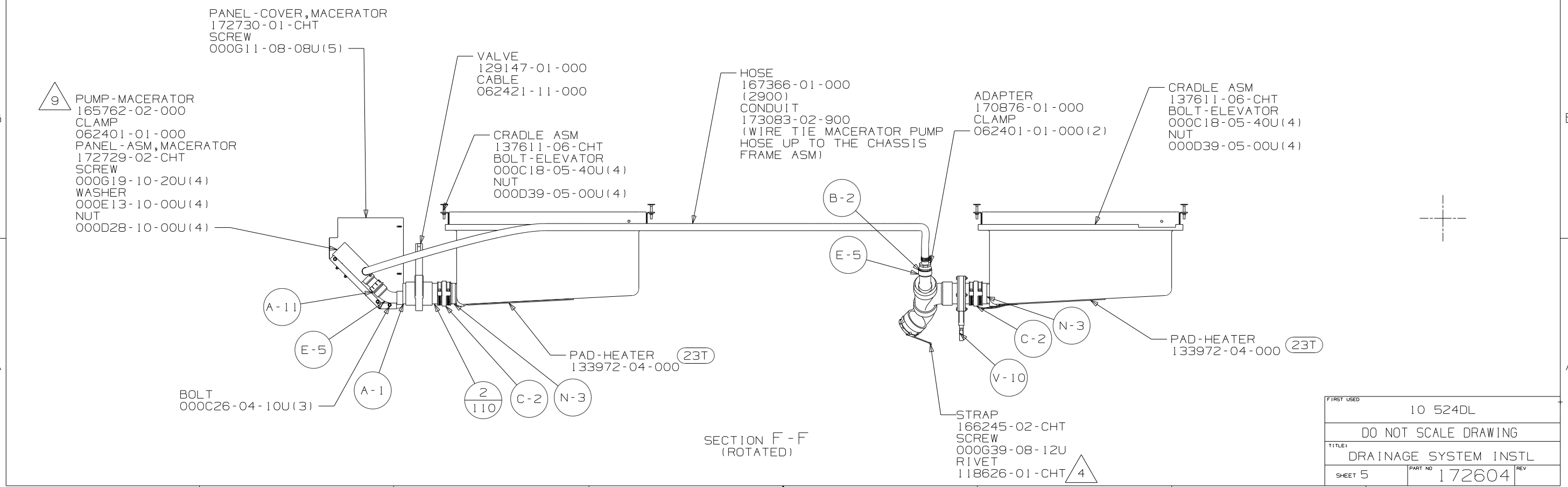


DETAIL H

FIRST USED	10 524DL	
TITLE	DO NOT SCALE DRAWING	
	DRAINAGE SYSTEM INSTL	
SHEET 4	PART NO 172604	REV



SHOWING ONLY DRAINS AND TANKS



SECTION F-F (ROTATED)

PANEL - COVER, MACERATOR
 172730-01-CHT
 SCREW
 000G11-08-08U(5)

VALVE
 129147-01-000
 CABLE
 062421-11-000

HOSE
 167366-01-000
 (2900)
 CONDUIT
 173083-02-900
 (WIRE TIE MACERATOR PUMP
 HOSE UP TO THE CHASSIS
 FRAME ASM)

ADAPTER
 170876-01-000
 CLAMP
 062401-01-000(2)

CRADLE ASM
 137611-06-CHT
 BOLT-ELEVATOR
 000C18-05-40U(4)
 NUT
 000D39-05-00U(4)

CRADLE ASM
 137611-06-CHT
 BOLT-ELEVATOR
 000C18-05-40U(4)
 NUT
 000D39-05-00U(4)

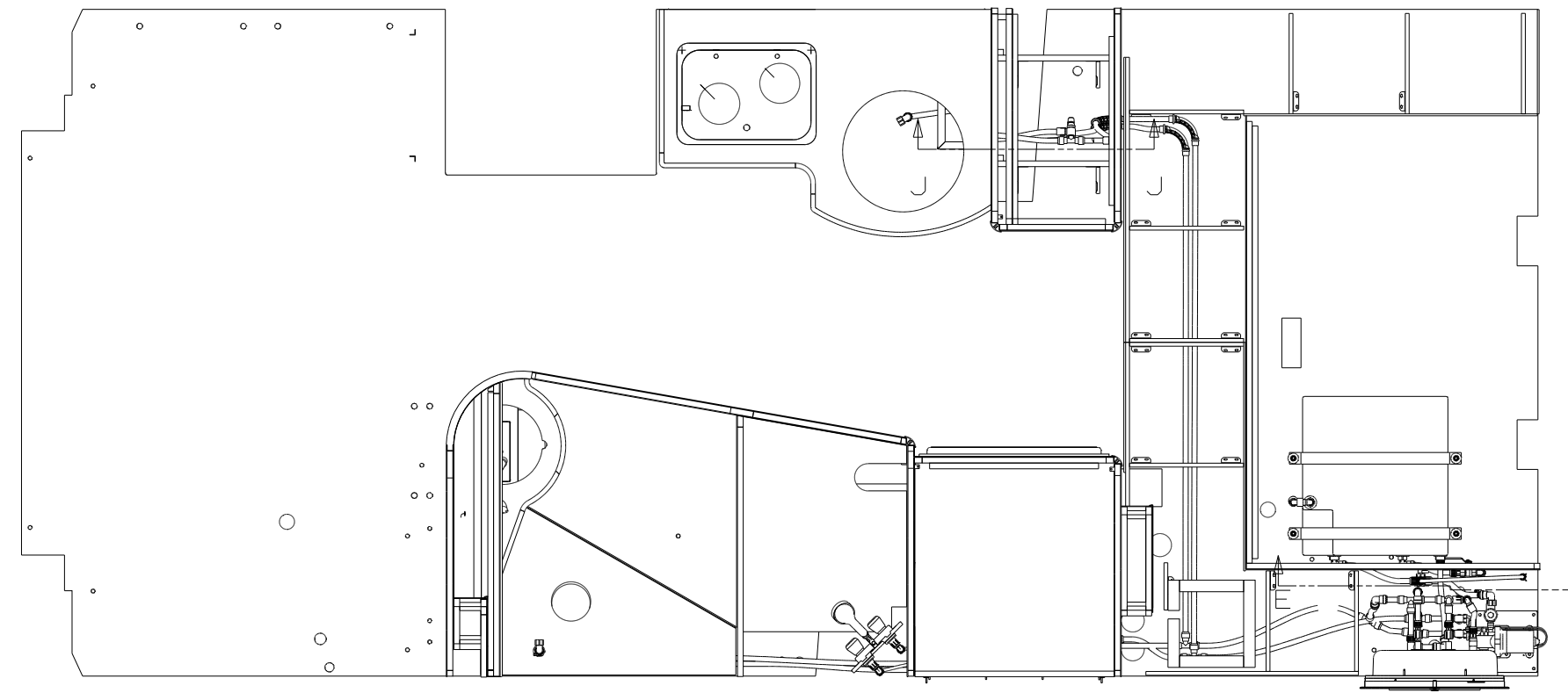
PAD-HEATER
 133972-04-000 (23T)

PAD-HEATER
 133972-04-000 (23T)

BOLT
 000C26-04-10U(3)

STRAP
 166245-02-CHT
 SCREW
 000G39-08-12U
 RIVET
 118626-01-CHT (4)

FIRST USED	10 524DL	
TITLE	DO NOT SCALE DRAWING	
	DRAINAGE SYSTEM INSTL	
SHEET 5	PART NO 172604	REV



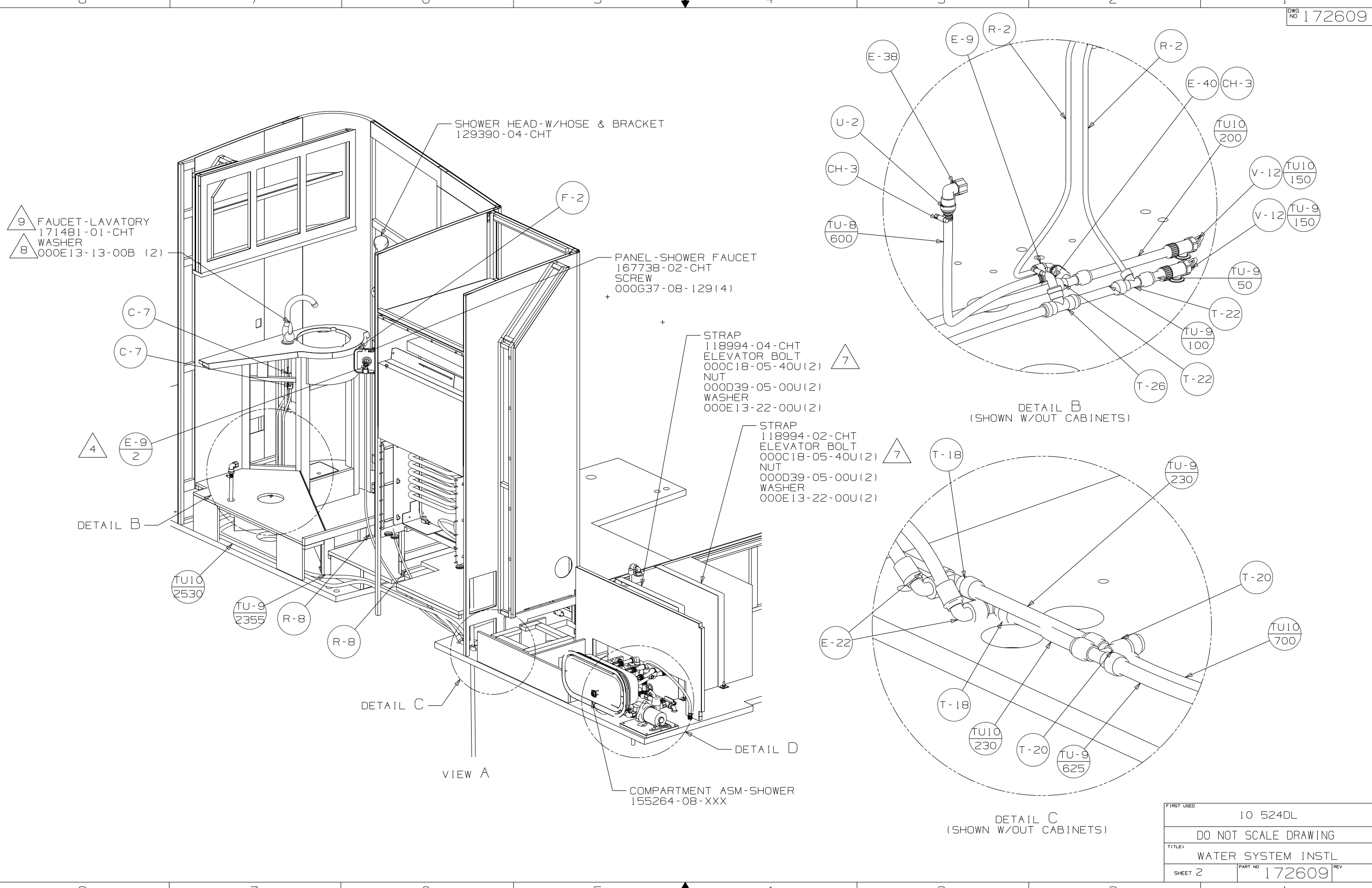
- (501) WATER PURIFIER WITHOUT
- (29B) WATER PURIFIER
- (53F) WATER HEATER-ELEC IGNITION
- (53B) WTR HTR-6 GAL ELEC/LP GAS

- 9 LAVATORY FAUCET TO BE TURNED SO CONTROLS ARE ON LEFT SIDE.
 - 8 INSTALL BETWEEN MOUNTING PLATE AND RETAINING NUTS.
 - 7 BOLTS TO BE INSTALLED IN FLOOR ASM PRIOR TO THE FLOOR BEING INSTALLED ON FRAME ASM.
 - 6 ADD TEFLON TAPE 010405-03-000.
 - 5 ADD TEFLON TAPE 010405-02-000.
 - 4 ADD TEFLON TAPE 010405-01-000.
3. ALL TUBING TO BE SECURED AT 1200 INTERVALS MAXIMUM WITH CLAMP 010495-01-000 AND SCREW 000G67-10-12B OR EQUIVALENT.
 2. TUBING TO BE INSTALLED WITH SUFFICIENT SLOPE TO PROVIDE DRAINAGE TO NEAREST VALVE.
 1. PLASTIC FITTINGS TO BE SEALED WITH SEALANT 084456-01-000.

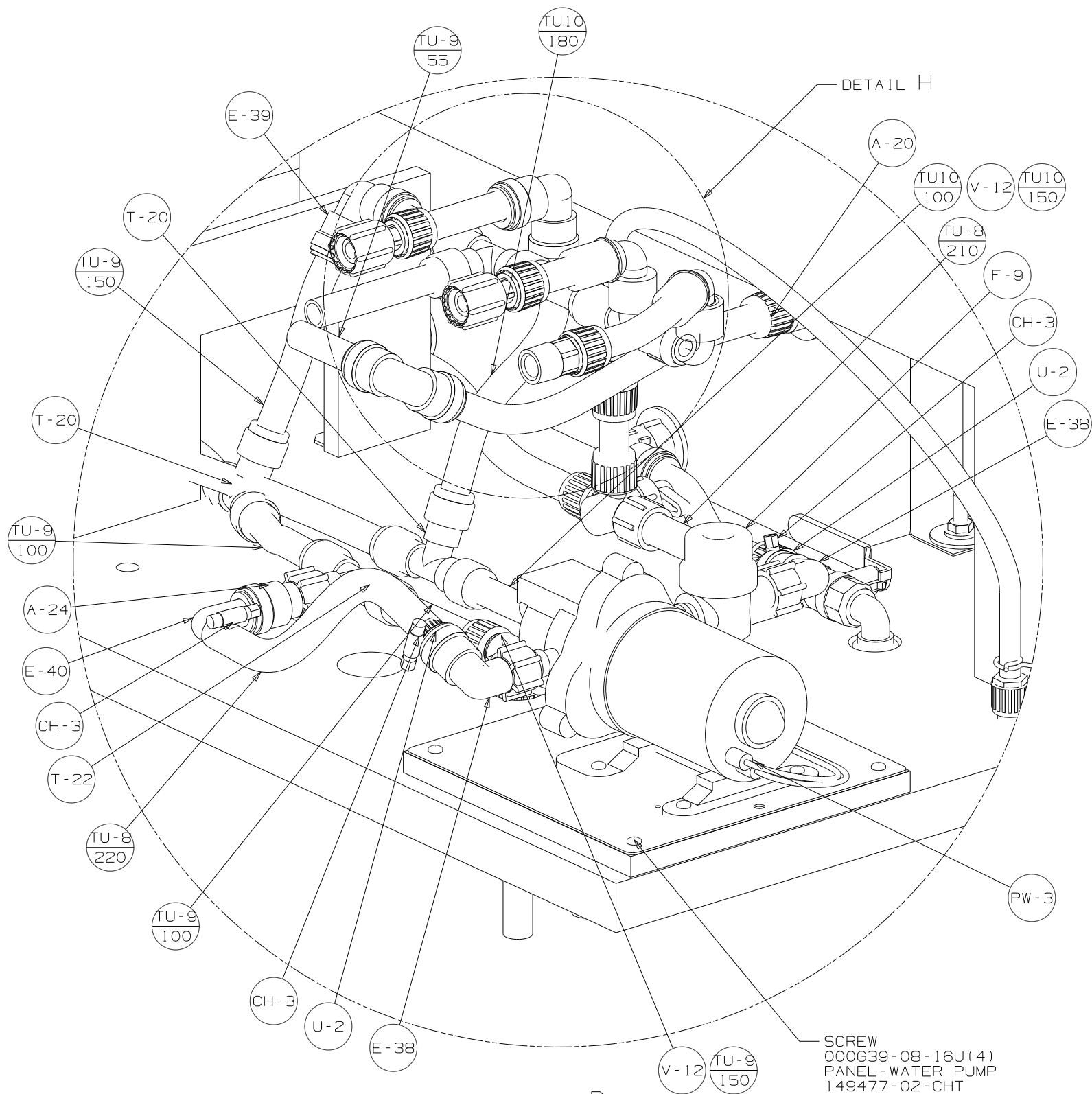
NOTES:

FOR WATER CALLOUTS SEE DWG NO 116230-01-000

WINNEBAGO		COPYRIGHT 2009 WINNEBAGO INDUSTRIES, INC.	
D/FR	ORIG. DATE	ALL DIMENSIONS ARE IN MILLIMETERS	
CHKR		FIRST USED	
P.E.		10 524DL	
M.E.		UNSPECIFIED TOLERANCES ARE:	
DSNR		MATERIAL:	
		WHOLE DIM (X)	: 3
		ONE-PLACE (X.X)	: 1.5
		TWO-PLACE (X.XX)	: 0.50
		ANGLE	: 1°
THIRD ANGLE PROJECTION		DO NOT SCALE DRAWING	
TITLE: WATER SYSTEM INSTL			
SHEET 1 OF 4	PART NO	172609	REV
REF:	1 11/23/2009		

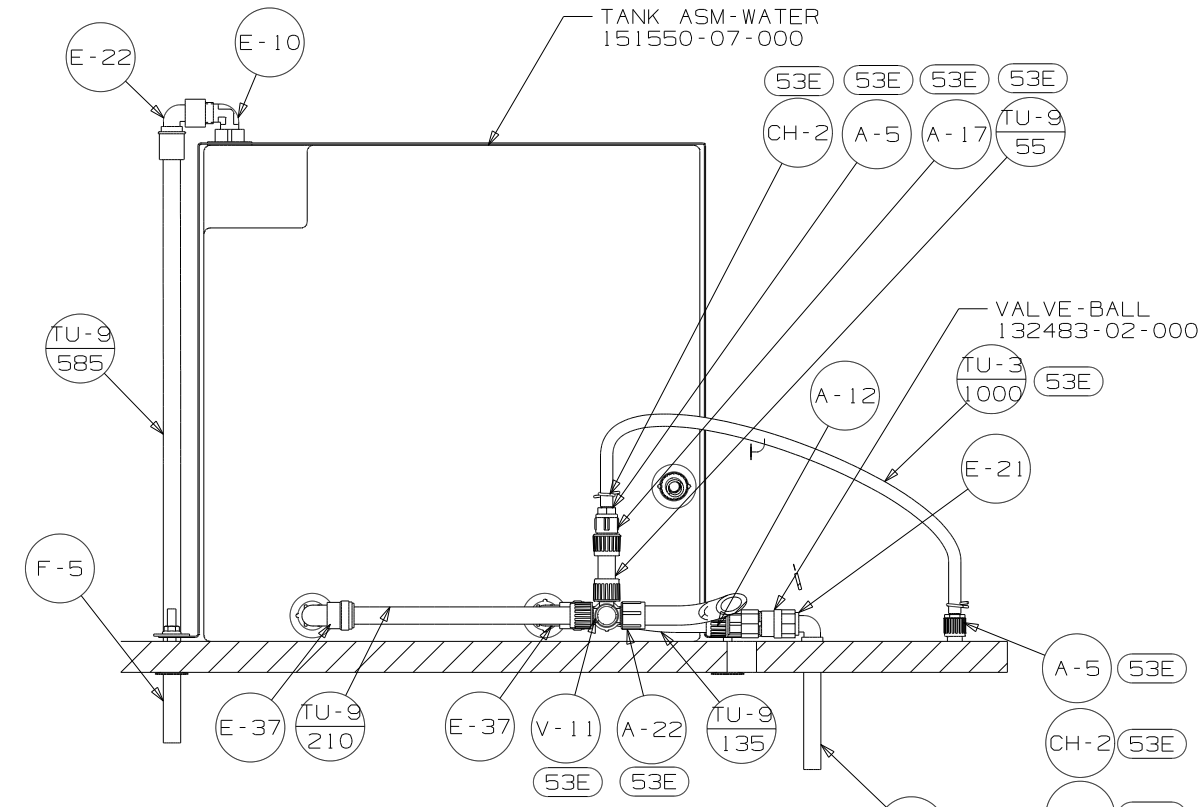


FIRST USED	10 524DL
TITLE	DO NOT SCALE DRAWING
TITLE	WATER SYSTEM INSTL
SHEET 2	PART NO 172609 REV

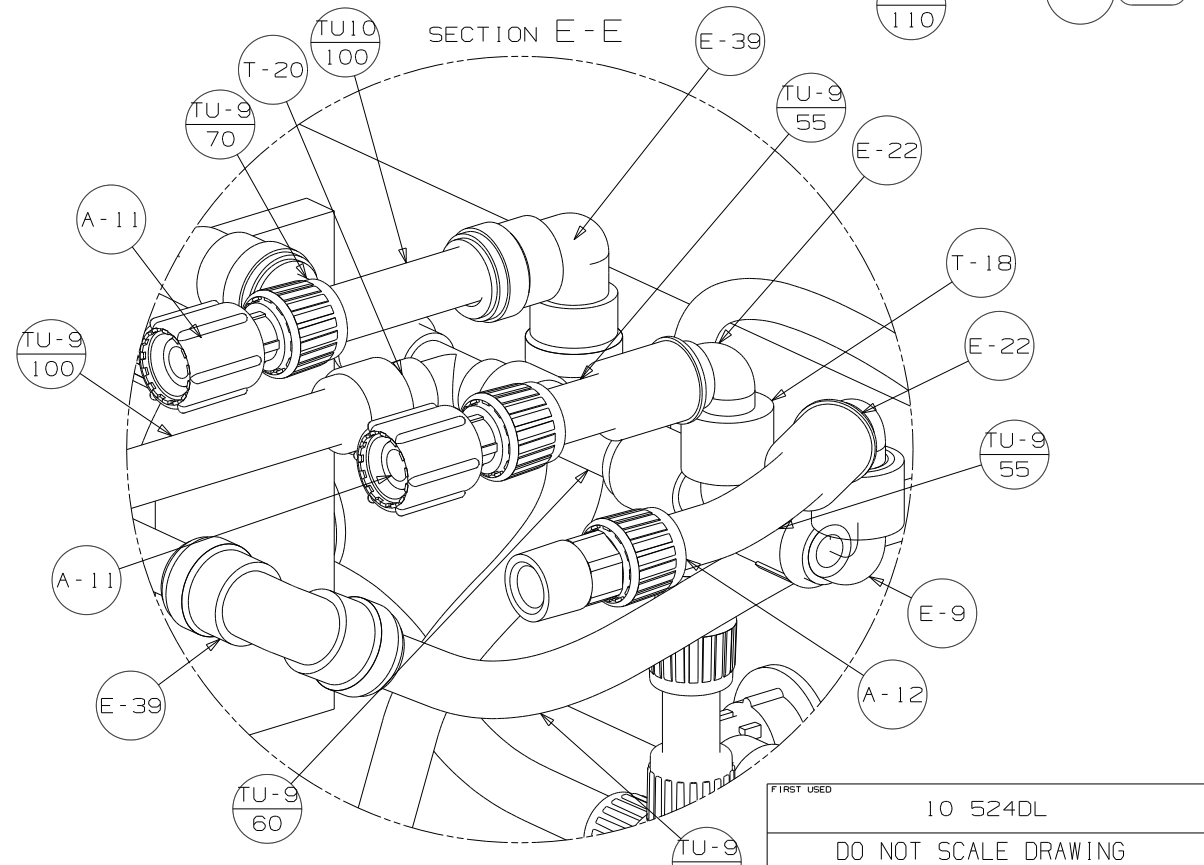


DETAIL D
(SHOWN W/OUT COMPARTMENT ASM-SHOWER)

- SCREW 000639-08-16U (4)
- PANEL - WATER PUMP 149477-02-CHT
- FOAM 140364-01-CHT
- SCREW 000639-08-24U (4)

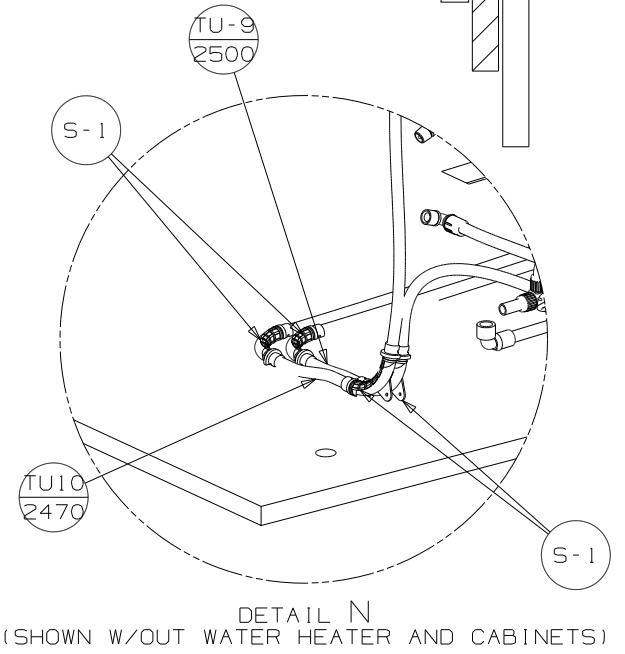
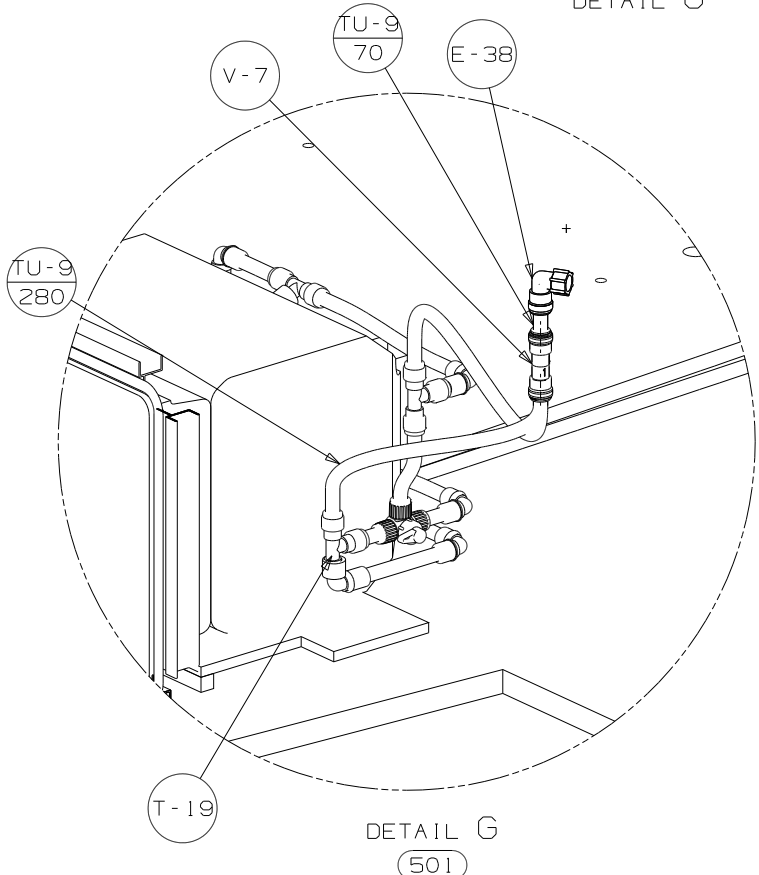
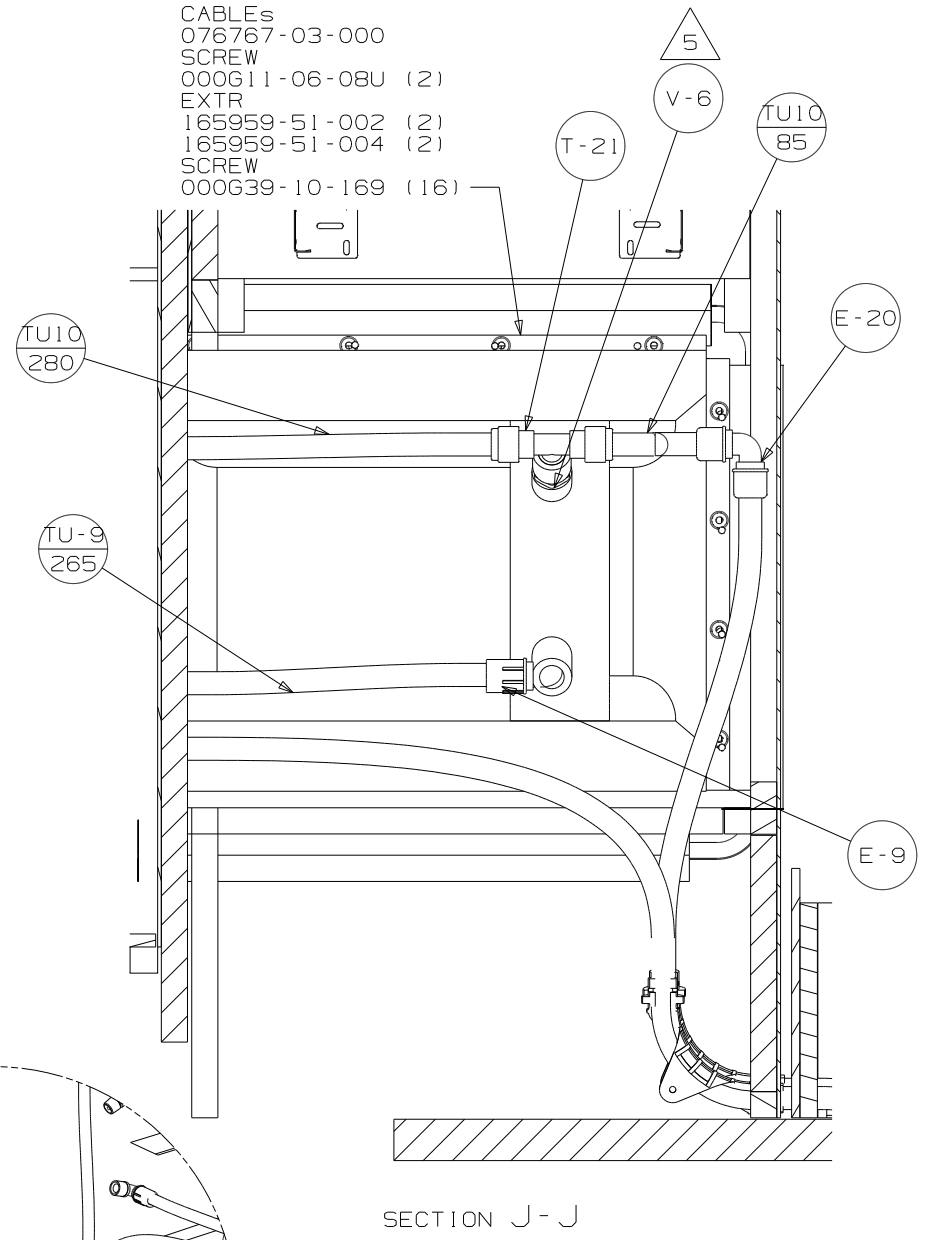
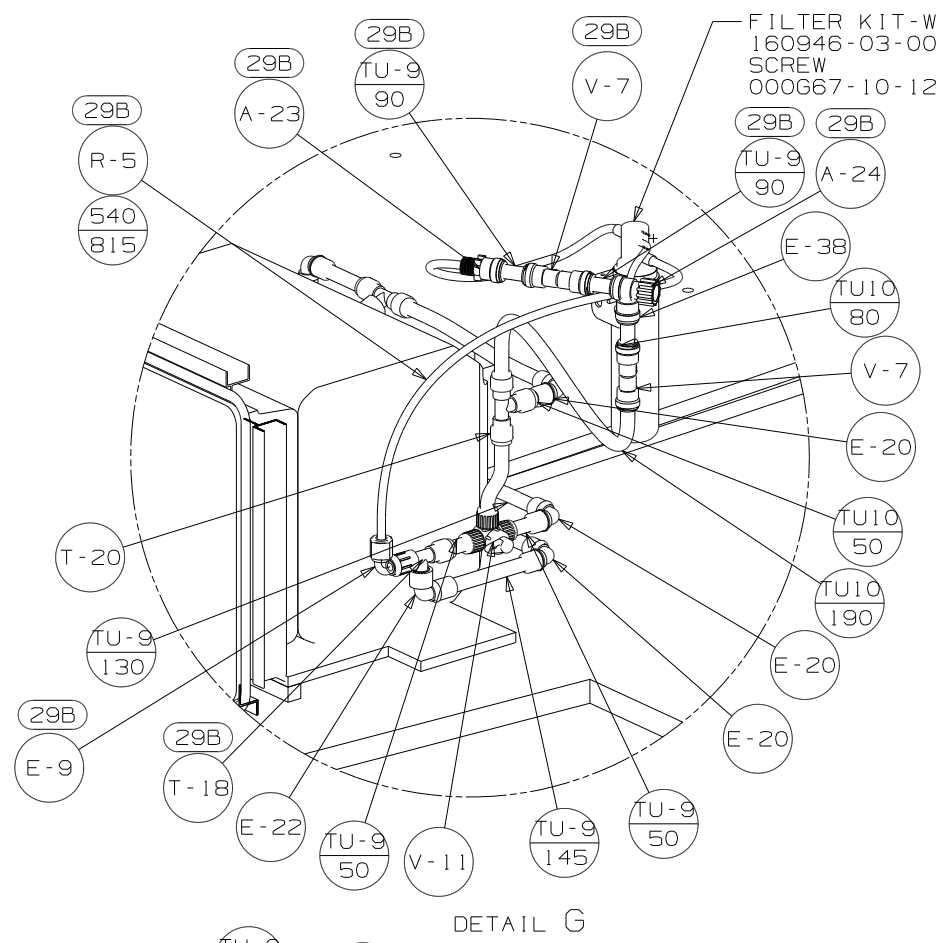
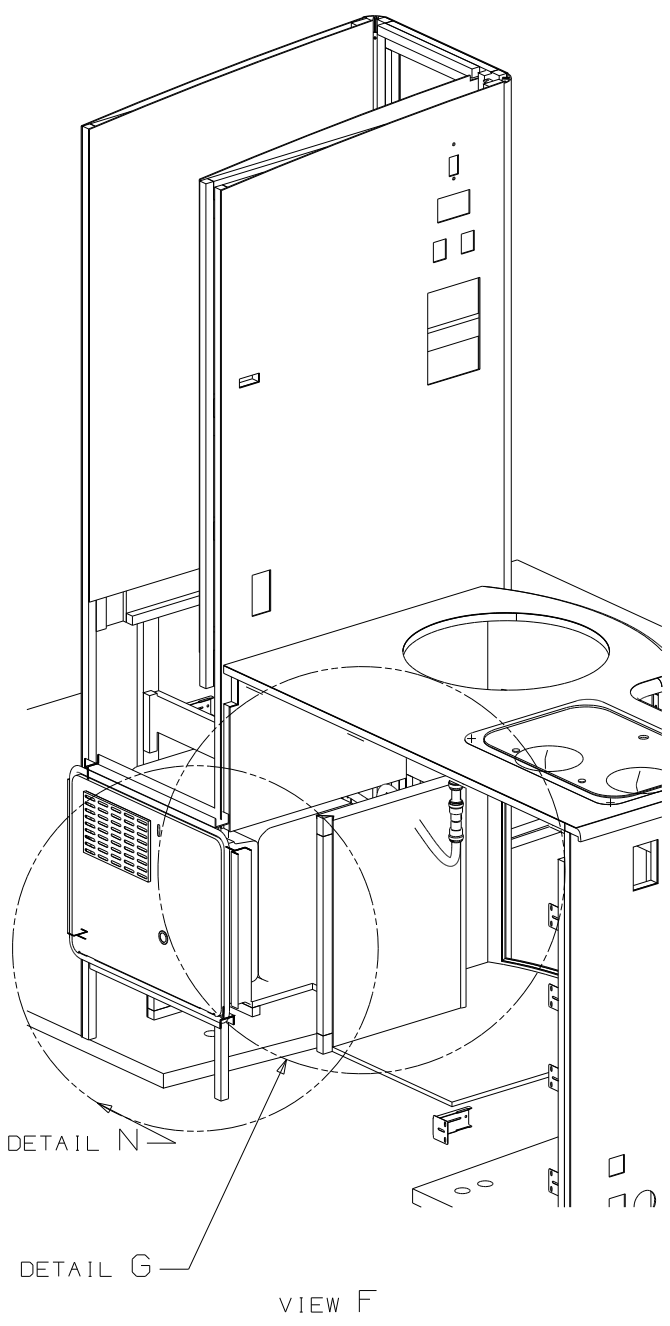


SECTION E-E



DETAIL H
(SHOWN W/OUT COMPARTMENT ASM-SHOWER)

FIRST USED	10 524DL
DO NOT SCALE DRAWING	
TITLE:	WATER SYSTEM INSTL
SHEET 3	PART NO 172609 REV



FIRST USED	10 524DL
TITLE	DO NOT SCALE DRAWING
TITLE	WATER SYSTEM INSTL
SHEET 4	PART NO 172609 REV