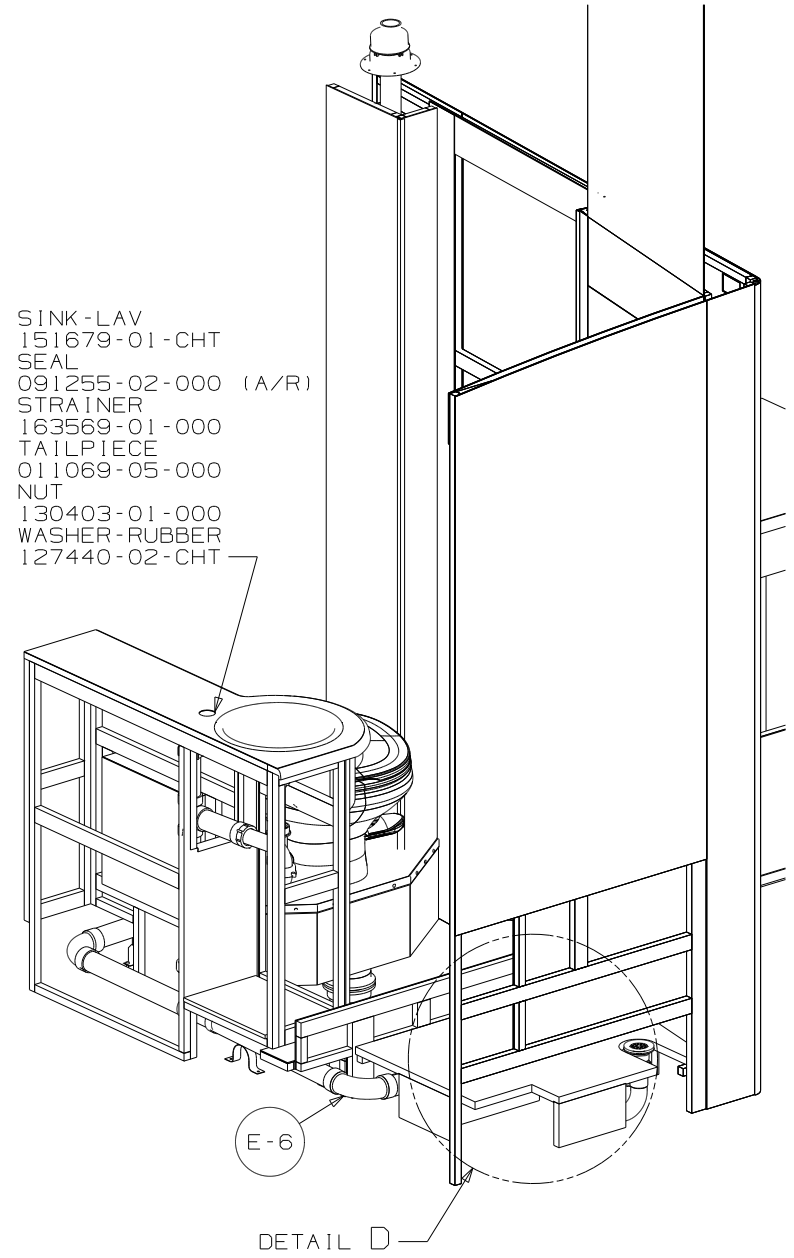


- (1B1) CODES/STANDARDS-USA
- (265) CODES/STANDARDS-CSA/CMVSS
- (43E) TOILET - PORCELAIN
- (1JD) DRAINAGE SYSTEM-HEATED-W/O
- (23T) DRAINAGE SYSTEM-HEATED

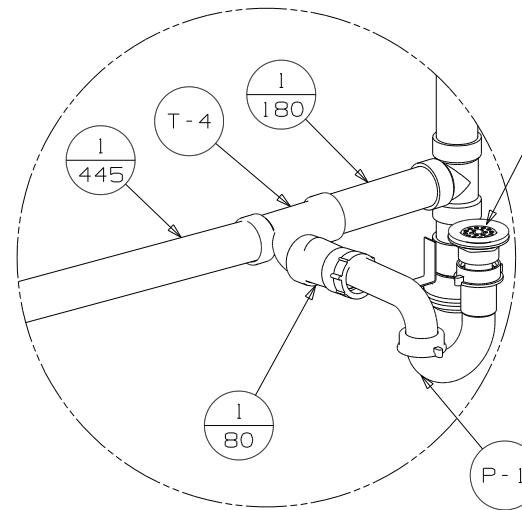
- NOTES:
1. SLOPE OF HORIZONTAL PIPING TO BE MINIMUM OF 3 PER 305 mm.
 2. SLOPE OF TRAP ARM MUST BE 6 PER 305 mm.
 3. ALL PIPE AND FITTINGS TO BE ASSEMBLED WITH SOLVENT 004020-01-000 (USA), 004020-02-000 (CAN)
 4. SECURE DRAINAGE PIPES TO CABINET USING WIRE TIE 108046-02-000, AND SCREW 000G67-10-12B AT INTERVALS OF NOT MORE THAN 4 FEET APART.
 5. SEAL AROUND SHOWER WITH SILICONE.
 6. VENT PIPE MUST PROJECT 51 MIN AND 64 MAX ABOVE ROOF FOR PROPER FIT AND FUNCTION. ADD S-1 (116666-01-CHT SEAL-VENT PIPE) AROUND PIPE ON ROOF BEFORE VENT CAP IS INSTALLED.
 7. SECURE VENT PIPE TO FLOOR WITH CLAMP 062401-02-000 (2), SCREW 000G67-10-12B (2), BRACKET 136878-01-CHT (2).

FOR
DRAINAGE
CALLOUTS
SEE DWG NO
116229-01-000

WINNEBAGO		COPYRIGHT 2009 WINNEBAGO INDUSTRIES, INC.	
DFT	ORIG. DATE	ALL DIMENSIONS ARE IN MILLIMETERS	
CHKR		FIRST USED	
P.E.		10 524A	
M.E.		UNSPECIFIED TOLERANCES ARE:	
DSNR		MATERIAL:	
		WHOLE DIM (X)	: 3
		ONE-PLACE (X.X)	: 1.5
		TWO-PLACE (X.XX)	: 0.50
		ANGLE	: 1°
		THIRD ANGLE PROJECTION	
DO NOT SCALE DRAWING			
TITLE: DRAINAGE SYSTEM INSTL			
SHEET 1 OF 4	PART NO	172822	REV
REF:	1 9/22/2009		



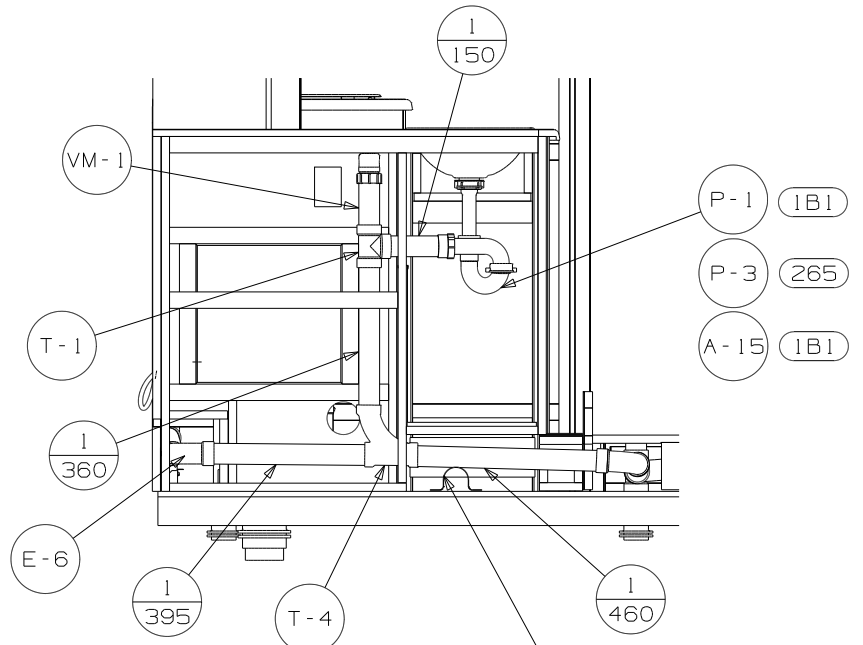
VIEW A
(SHOWN W/OUT SHOWER & FLOOR)



- SHOWER INSTL
163706-01-000
- STRAINER
066440-01-000
- TAILPIECE
011069-06-000
- NUT
130403-01-000
- WASHER-RUBBER
127440-02-CHT

- P-1 (1B1)
- P-3 (265)
- A-15 (1B1)

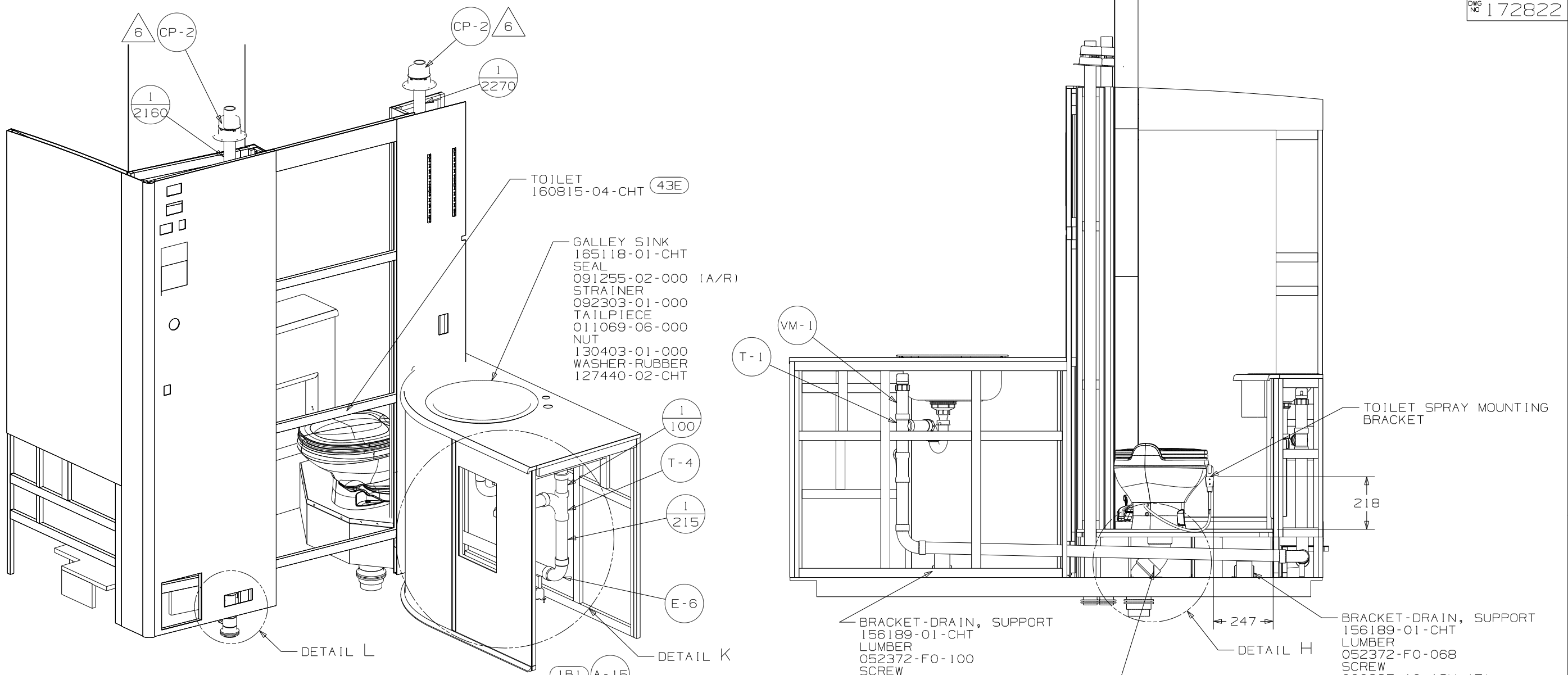
DETAIL D
(SHOWN W/OUT CABINETS)



SECTION F-F

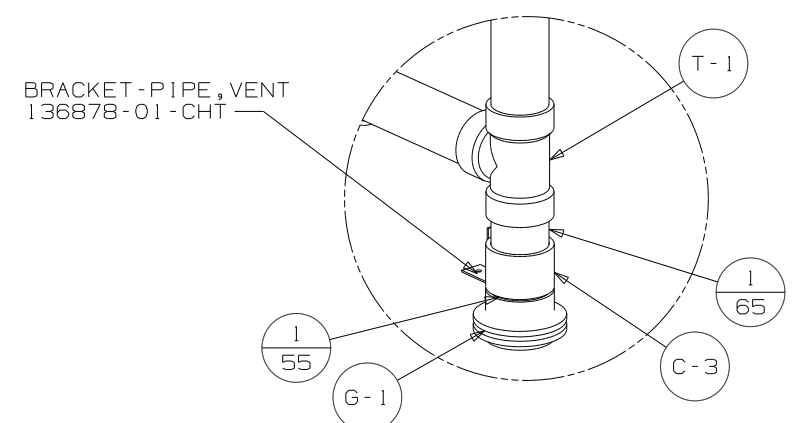
- STRAP-CONDUIT
008406-01-000

FIRST USED	10 524A	
TITLE	DO NOT SCALE DRAWING	
	DRAINAGE SYSTEM INSTL	
SHEET 2	PART NO	172822
	REV	

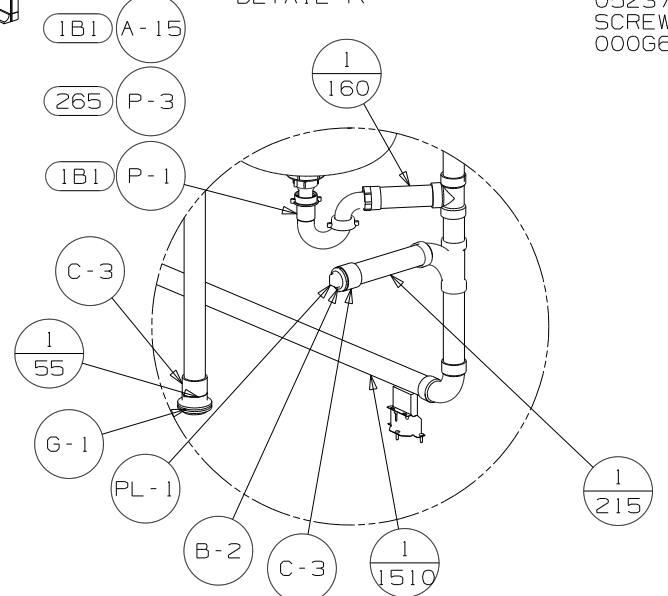


VIEW B
(SHOWN W/OUT FLOOR)

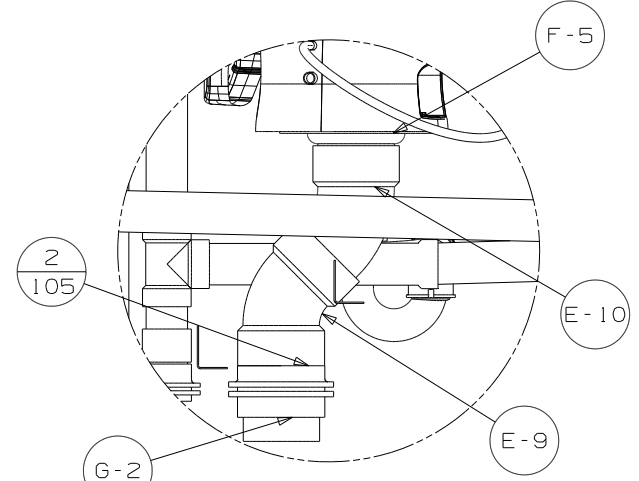
VIEW C



DETAIL L
(SHOWN W/OUT CABINETS)

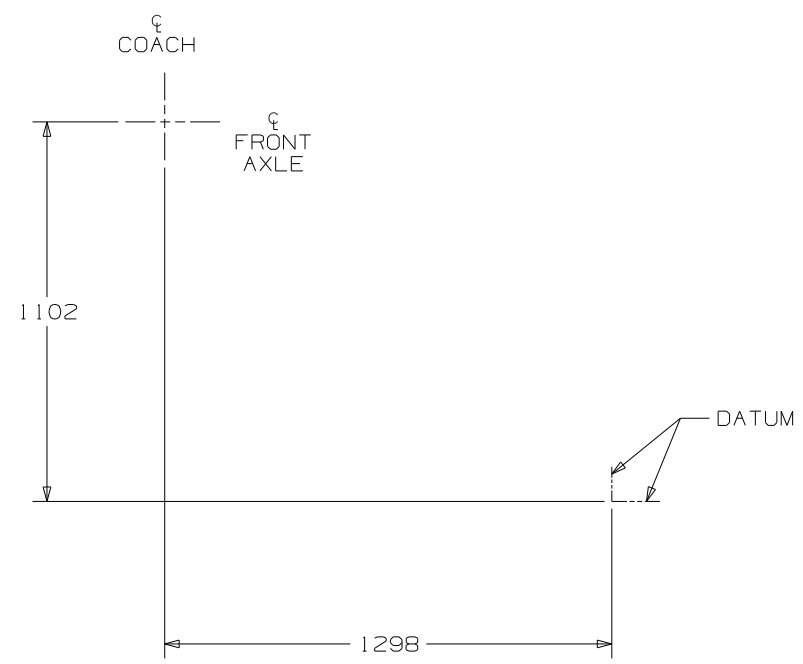


DETAIL K
(SHOWN W/OUT CABINETS)

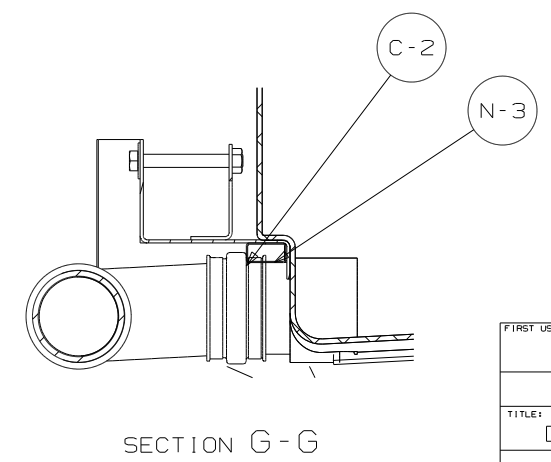
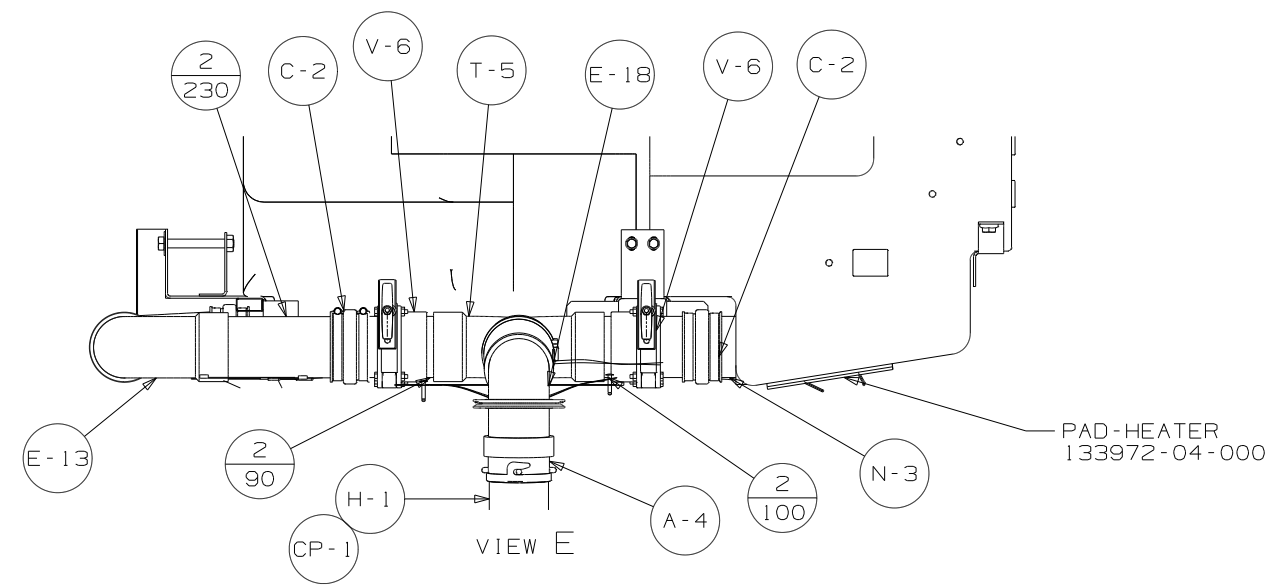
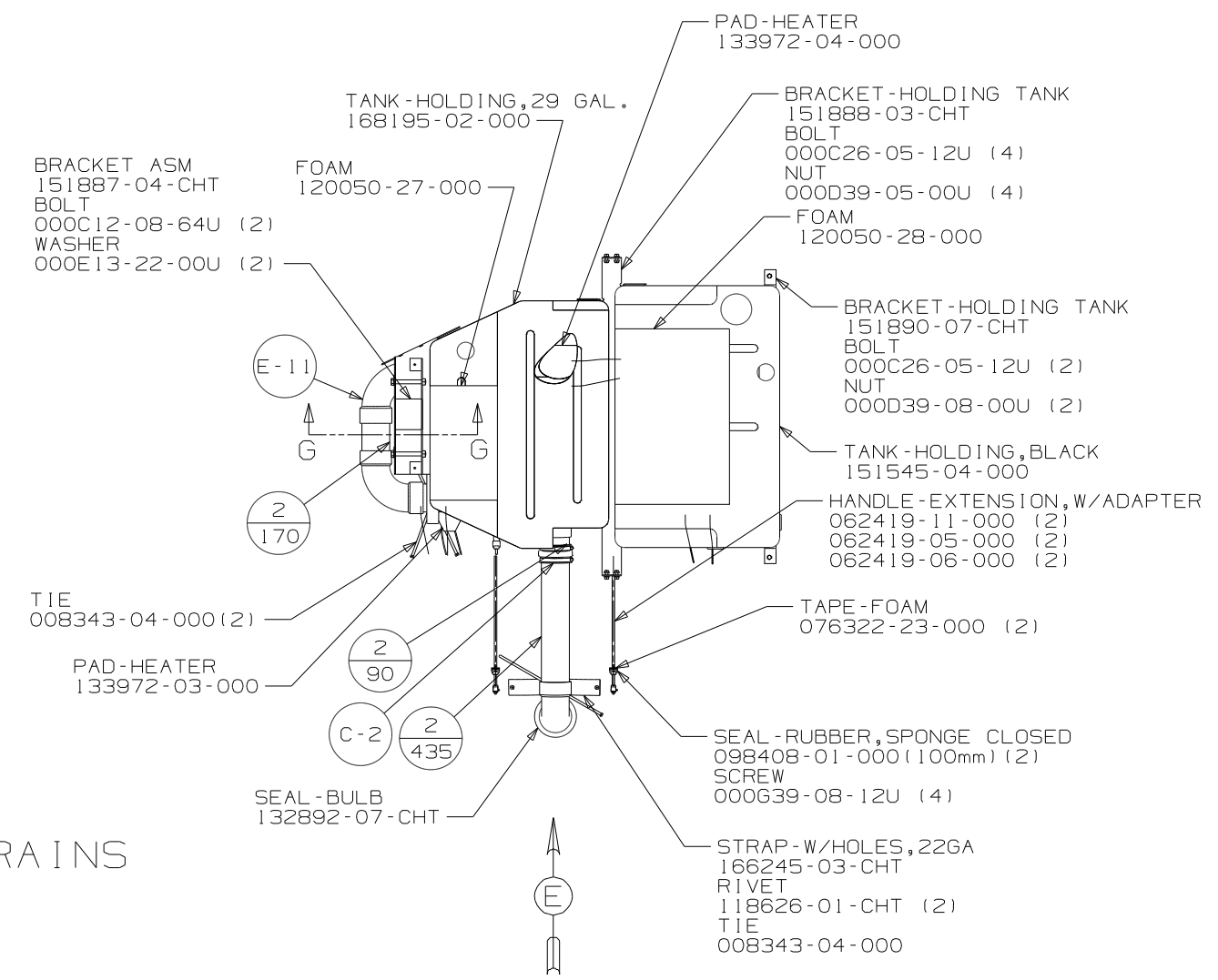


DETAIL H
(SHOWN W/OUT CABINETS & FLOOR)

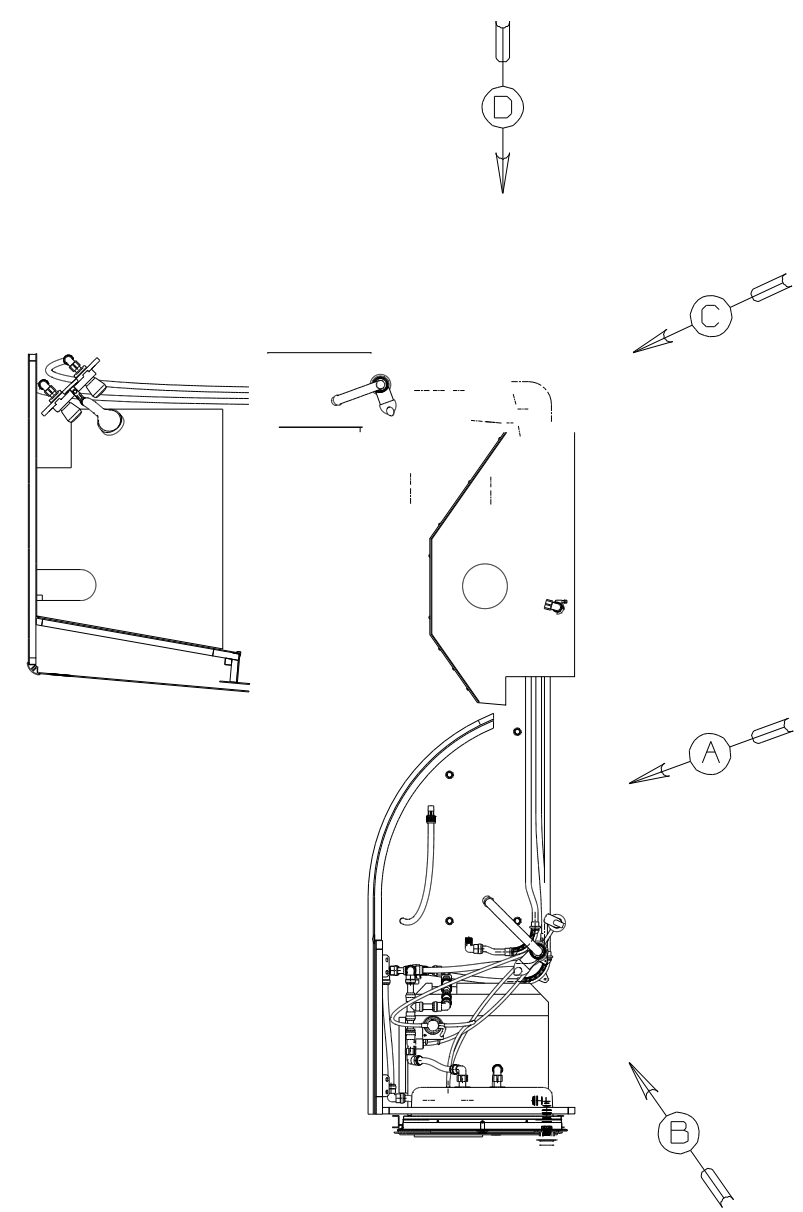
FIRST USED	10 524A
DO NOT SCALE DRAWING	
TITLE:	DRAINAGE SYSTEM INSTL
SHEET 3	PART NO 172822 REV



TOP VIEW
SHOWING TANKS AND DRAINS



FIRST USED	10 524A	
TITLE	DO NOT SCALE DRAWING	
	DRAINAGE SYSTEM INSTL	
SHEET 4	PART NO 172822	REV

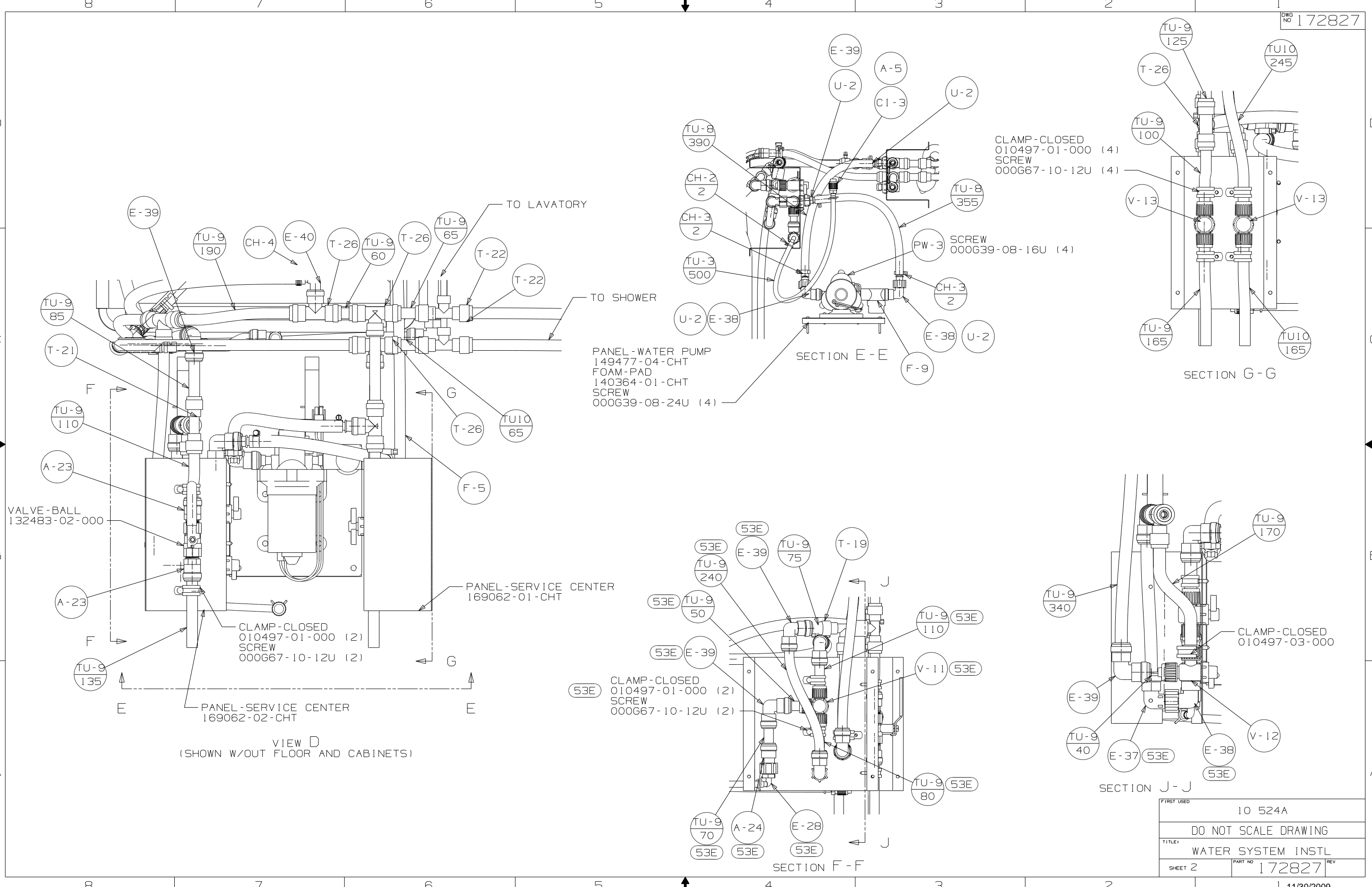


- (53E) WATER SYS WINTERIZATION
- (53B) WTR HTR-6GAL ELEC/LP GAS
- (53F) WATER HTR-ELEC, IGNITION
- (29B) WATER PURIFIER
- (50I) WATER PURIFIER WITHOUT
- (64R) EXTERIOR WASH STATION
- (1J4) EXT WASH STATION-WITHOUT

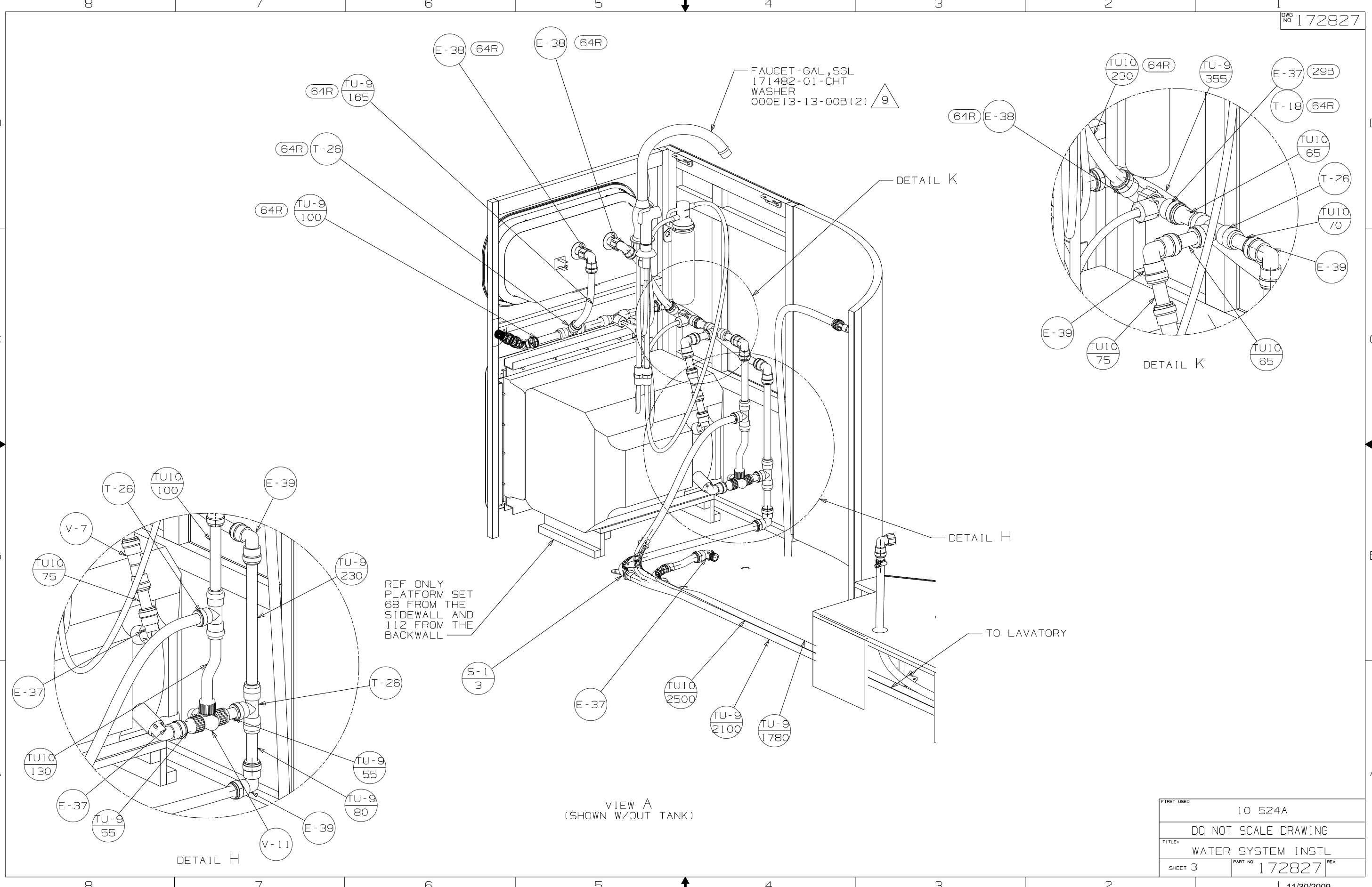
- 9 INSTALL BETWEEN MOUNTING PLATE AND RETAINING NUTS.
 - 8 INSTALL CONNECTOR WITH TAPERED END AWAY FROM FAUCET.
 - 7 ADD PIPE WRAP (LADDER SCRAP 110157-02-000) INSULATION.
 - 6 ADD TEFLON TAPE 10405-03-000.
 - 5 ADD TEFLON TAPE 10405-02-000.
 - 4 ADD TEFLON TAPE 10405-01-000.
3. ALL TUBING TO BE SECURED AT 1200 INTERVALS MAXIMUM WITH CLAMP 10495-01-000 AND SCREW G67-10-12B OR EQUIVALENT.
 2. TUBING TO BE INSTALLED WITH SUFFICIENT SLOPE TO PROVIDE DRAINAGE TO NEAREST VALVE.
 1. PLASTIC FITTINGS TO BE SEALED WITH SEALANT 84456-01-000.

WINNEBAGO		COPYRIGHT 2009 WINNEBAGO INDUSTRIES, INC.	
DFTR	ORIG. DATE	ALL DIMENSIONS ARE IN MILLIMETERS	
CHKR		FIRST USED	
P.E.		10 524A	
M.E.		UNSPECIFIED TOLERANCES ARE:	
DSNR		MATERIAL:	
		WHOLE DIM (X)	: 3
		ONE-PLACE (X.X)	: 1.5
		TWO-PLACE (X.XX)	: 0.50
		ANGLE	: 1°
THIRD ANGLE PROJECTION			
DO NOT SCALE DRAWING			
TITLE: WATER SYSTEM INSTL			
SHEET 1 OF 5	PART NO	172827	REV
REF:	1 11/30/2009		

(X-X)
FOR
WATER
CALLOUTS
SEE DWG NO
116230-01-000



FIRST USED	10 524A
TITLE:	DO NOT SCALE DRAWING
	WATER SYSTEM INSTL
SHEET 2	PART NO 172827 REV



FIRST USED	10 524A
DO NOT SCALE DRAWING	
TITLE:	WATER SYSTEM INSTL
SHEET 3	PART NO 172827 REV

(29B) FILTER KIT-WATER,SINK
160946-03-000
SCREW
000667-10-12U(2)

(29B) (570/1100) R-6

(64R) COMPARTMENT ASM-SHOWER
155264-07-XXX

E-39

TU-9
125

T-22

(64R) T-26

TU-9 (64R)
100

TU-9 (1J4)
235

F-13

A-23 TU-9 E-39 R-3 (501)
80

DOOR-WATER HEATER
125420-06-CHT
SCREW
000639-10-169 (16)
WATER HEATER (53F)
051391-03-000
145541-02-000 (53B)
FLANGE-WATER HEATER
152239-01-CHT
EXTR-WATER HEATER
165959-51-002 (2)
165959-51-004 (2)
PLATFORM ASM-WATER HEATER
144200-02-000
CABLE
076767-03-000
SCREW
000611-06-8U

VIEW B

A-20

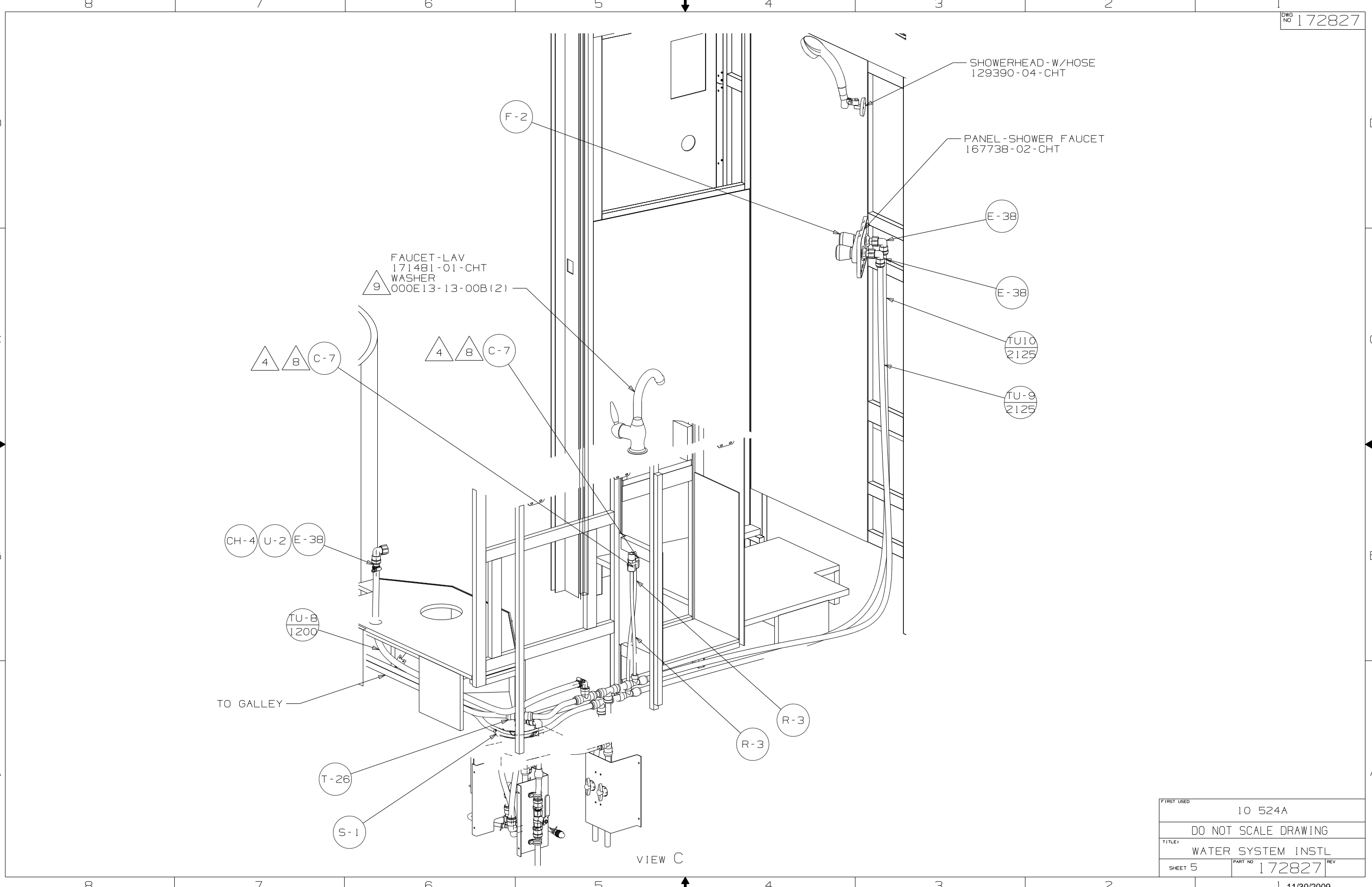
C-7

C-7

TO LAVATORY

TANK ASM-WATER
169066-02-000
STRAP-TANK,WATER
118994-18-CHT
118994-17-CHT
PIPE-STL BLK
010644-51-002 (4)
BOLT
000C16-05-96U (4)
WASHER
000E13-22-00U (8)
NUT
000D39-06-00U (4)

FIRST USED	10 524A
TITLE	DO NOT SCALE DRAWING
TITLE	WATER SYSTEM INSTL
SHEET 4	PART NO 172827 REV



FIRST USED	10 524A
TITLE	DO NOT SCALE DRAWING
	WATER SYSTEM INSTL
SHEET 5	PART NO 172827 REV