

- (1B1) CODES/STANDARDS USA
- (265) CODES/STDS-CSA/CMVSS
- (43F) SHOWER SURROUND
- (464) TOILET
- (23T) DRAINAGE SYSTEM-HEATED
- (644) GREAT ALASKAN RENTAL PACKAGE

10. SECURE PIPES TO CABINET USING WIRE TIE 108046-02-000 AND SCREW G67-10-12B.
9. SECURE VENT TUBES TO FLOOR WITH CLAMP 62401-02-000 (2) SCREW G67-10-12B (2) AND BRACKET 136878-01-CHT.
8. WRAP PAD AROUND ON THE SIDES FO THE TANK.
7. SEE WIRING INSTL-BODY, 12V FOR ELECTRICAL CONNECTION.
6. VENT PIP MUST PROJECT 51 MIN AND 64 MAX ABOVE ROOF FOR PROPER FIT AND FUNCTION. ADD S-1 (116666-01-CHT SEAL-VENT PIPE) AROUND PIP ON ROOF BEFORE VENT CAP IS INSTALLED.
5. SEAL AROUND SHOWER WITH SILICONE.
4. INSTALL PER MANUFACTURERS LABEL.
3. ALL PIP AND FITTINGS TO BE ASSEMBLED WITH SOLVENT 4020-01-000.
2. SLOPE OF AR MUST BE 6 PER 305mm.
1. SLOPE OF HORIZONTAL PIPING TO BE MIN 3 PER 305mm.

NOTES:

<b>WINNEBAGO</b>		COPYRIGHT 2009 WINNEBAGO INDUSTRIES, INC.	
DFT	ORIG. DATE	ALL DIMENSIONS ARE IN MILLIMETERS	
CHKR		10 331C	
P.E.	FIRST USED		
M.E.			
DSNR			
UNSPECIFIED TOLERANCES ARE:		MATERIAL:	
WHOLE DIM (X)	: 3		
ONE-PLACE (X.X)	: 1.5		
TWO-PLACE (X.XX)	: 0.50		
ANGLE	: 1°		
THIRD ANGLE PROJECTION			
DO NOT SCALE DRAWING			
TITLE: DRAINAGE SYSTEM INSTL			
SHEET 1 OF 4	PART NO	169135	REV
REF:	1 11/30/2009		

**SEE CHART**  
FOR COLOR VARIATIONS  
OF THIS PART

SINK-LAVATORY  
156661-01-CHT  
STRAINER  
106116-01-CHT  
STRAINER-GASKET  
106116-02-CHT  
SEAL  
91255-02-000

TOILET-AM 5,LOW,W/O SPRAYER 464  
147421-03-CHT  
TOILET-STYLE 11,W/O SPRAYER 644  
160815-02-CHT  
SCREW  
87721-01-000 (6)

PAD-HEATER, ELBLOW  
133972-03-000

TANK-HOLDING  
165076-02-000

CRADLE ASM  
141451-01-CHT  
BOLT  
651155-03-000 (4)  
NUT  
D39-05-00B (4)  
WASHER  
E13-16-00B (4)

TANK-HOLDING  
137882-04-CHT

CRADLE ASM  
137609-04-CHT  
BOLT  
C18-05-40A (4)  
NUT  
D39-05-00B (4)  
WASHER  
E13-16-00B (4)

VALVE-REMOTE  
62421-03-000  
HOLDER-RING  
141443-02-CHT (2)  
BOLT  
C12-05-16B (2)  
NUT  
D12-05-00B (2)

HANGER-STRAP  
140220-01-CHT (2)  
BOLT  
C18-06-40A (2)

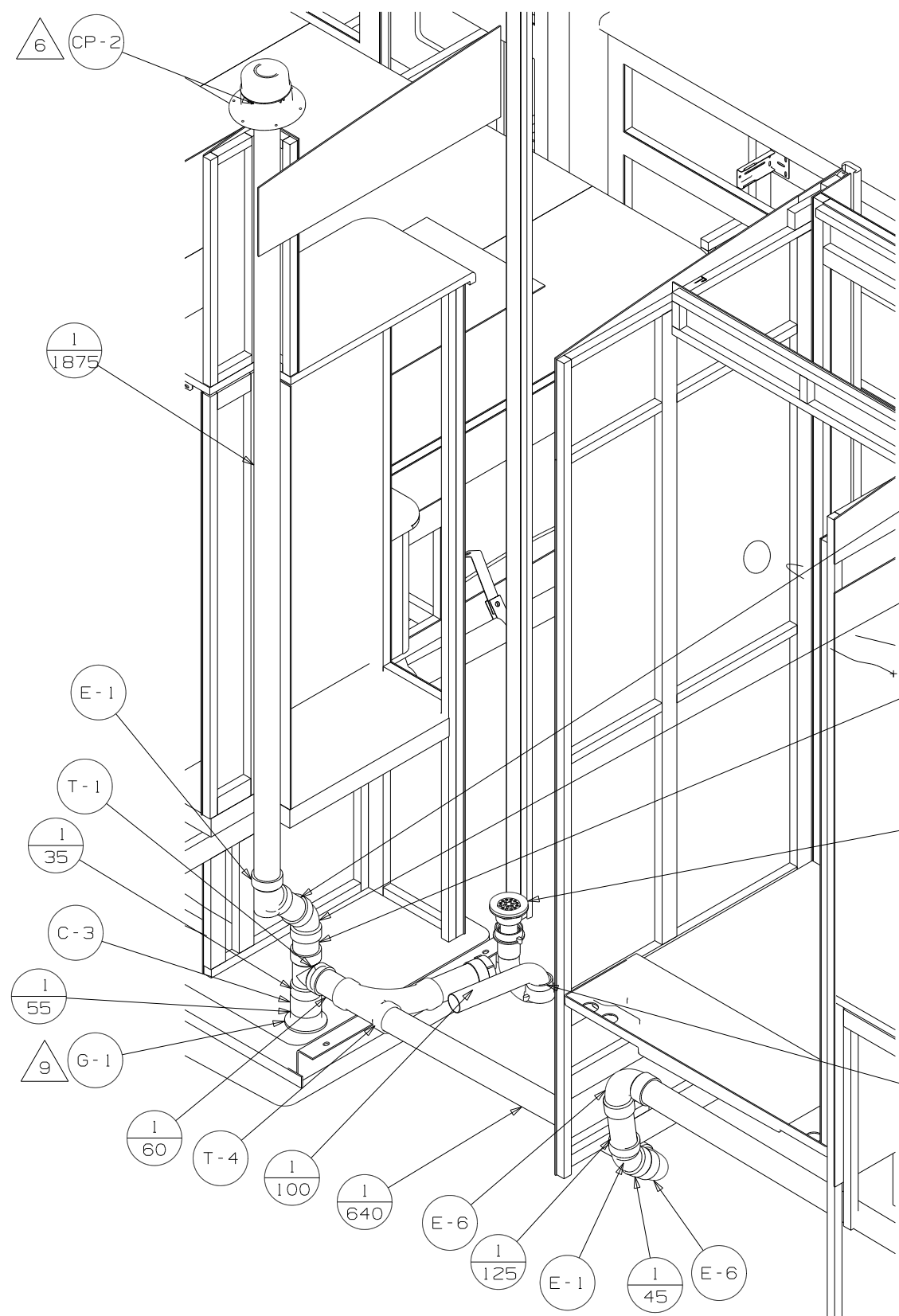
VALVE  
72346-01-000

CABLE-VALVE, REMOTE  
62421-05-000

VIEW A

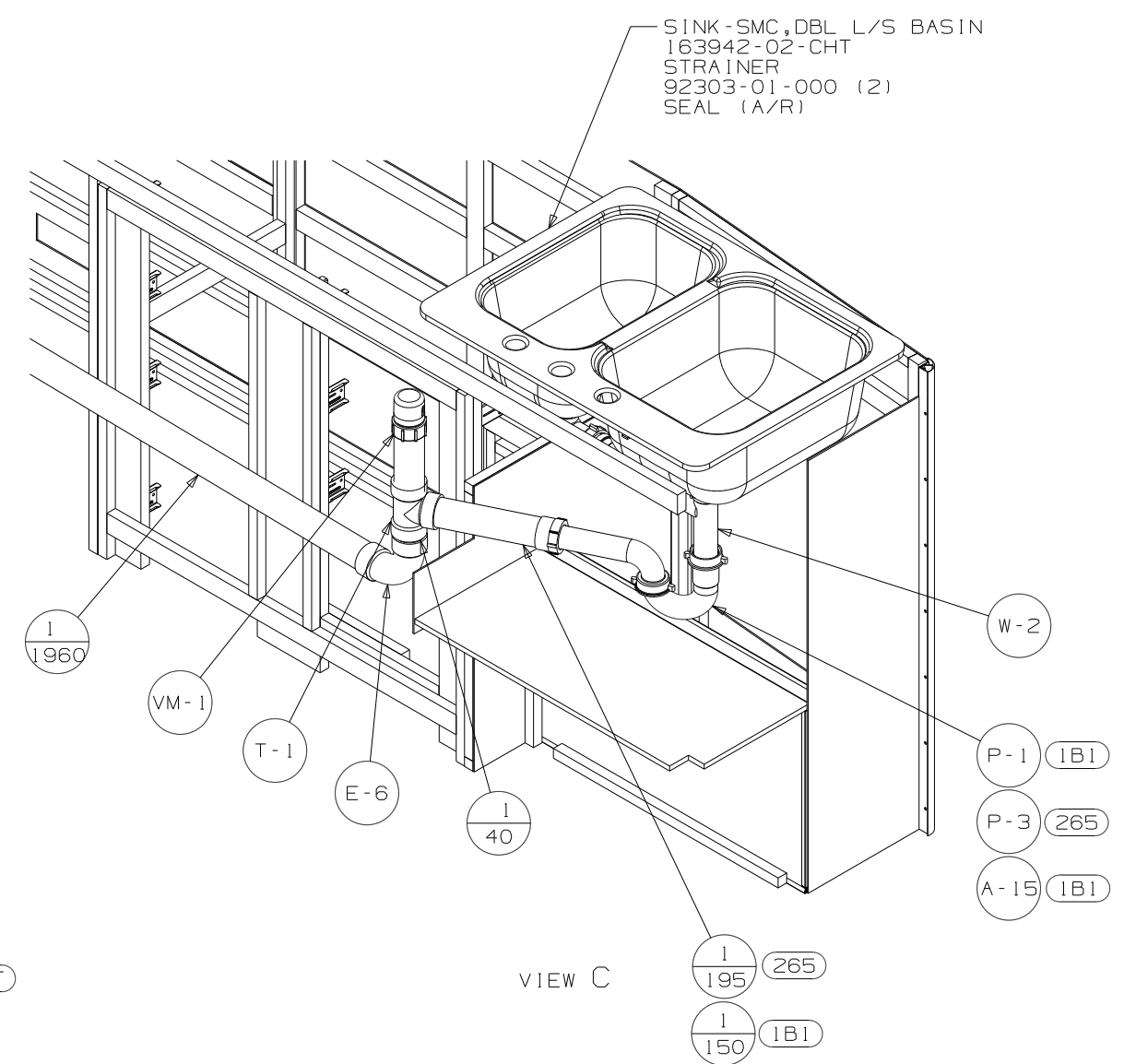
VIEW B

FIRST USED	10 331C
TITLE	DO NOT SCALE DRAWING
TITLE	DRAINAGE SYSTEM INSTL
SHEET 2	PART NO 169135 REV
	11/30/2009



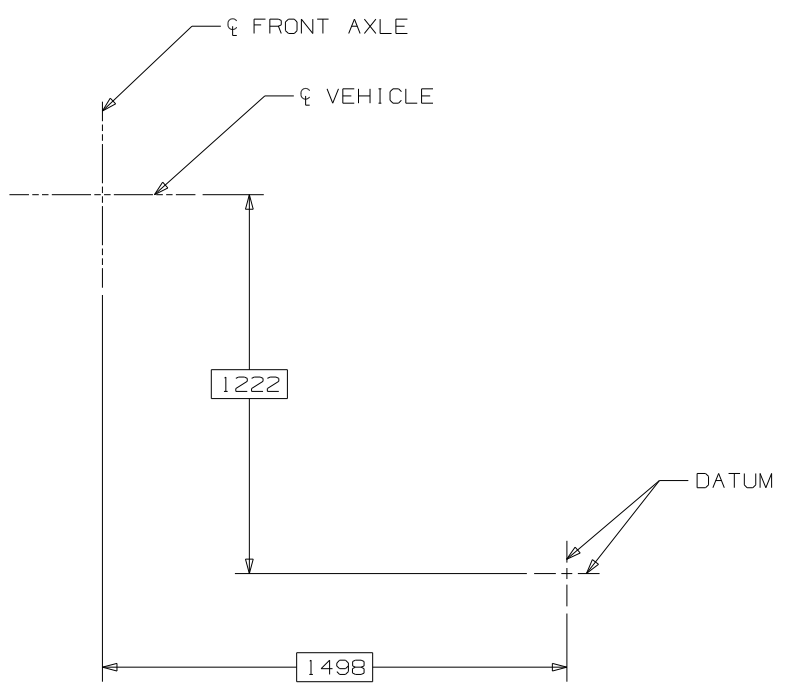
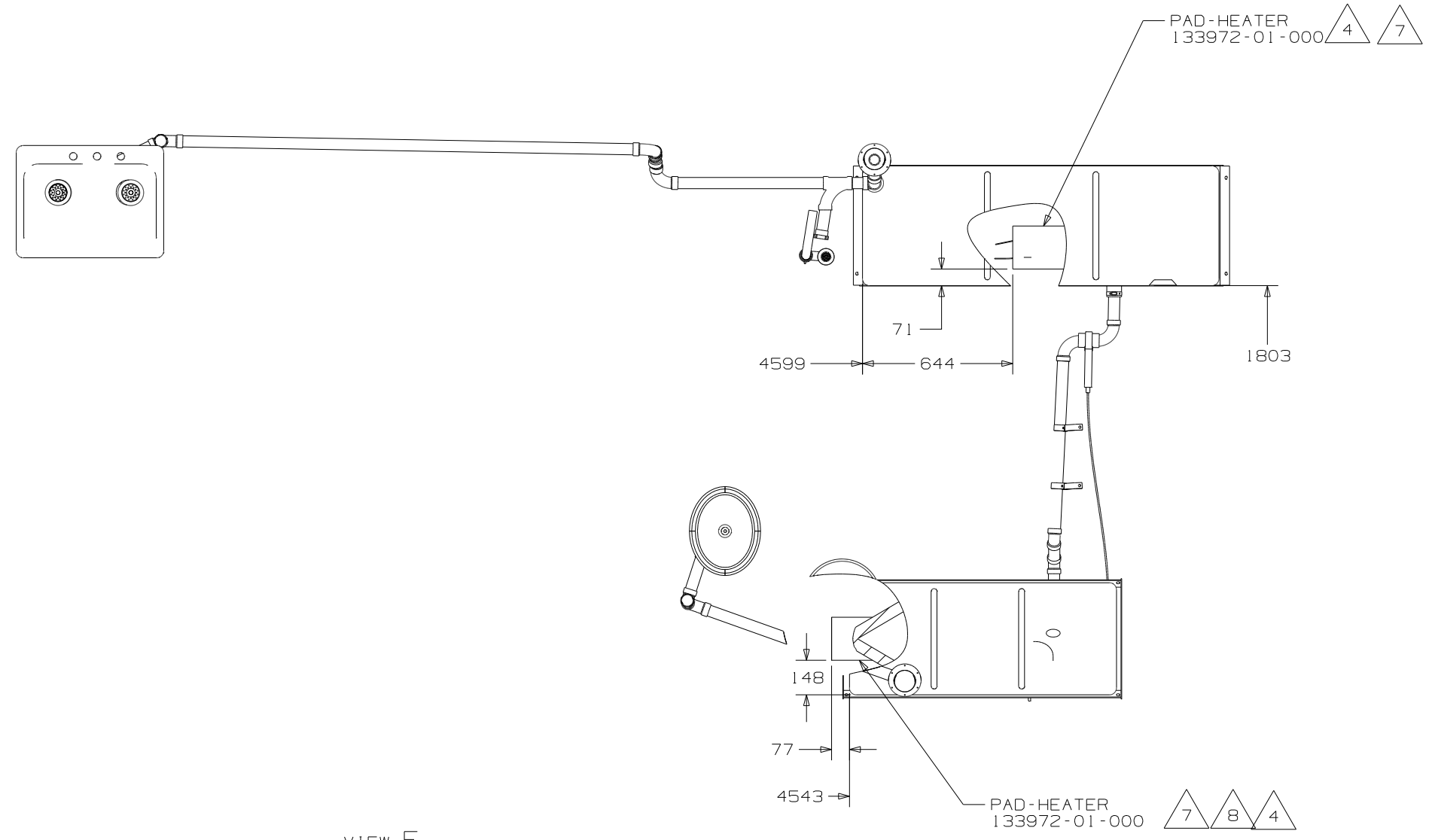
SHOWER INSTL - ENCLOSURE (43F)  
 147936-03-000  
 STRAOMER  
 66440-01-000  
 SEALER  
 69640-01-000  
 NUT  
 130403-01-000  
 WASHER - RUBBER  
 127440-02-CHT  
 TAILPIECE  
 11069-02-000

VIEW D



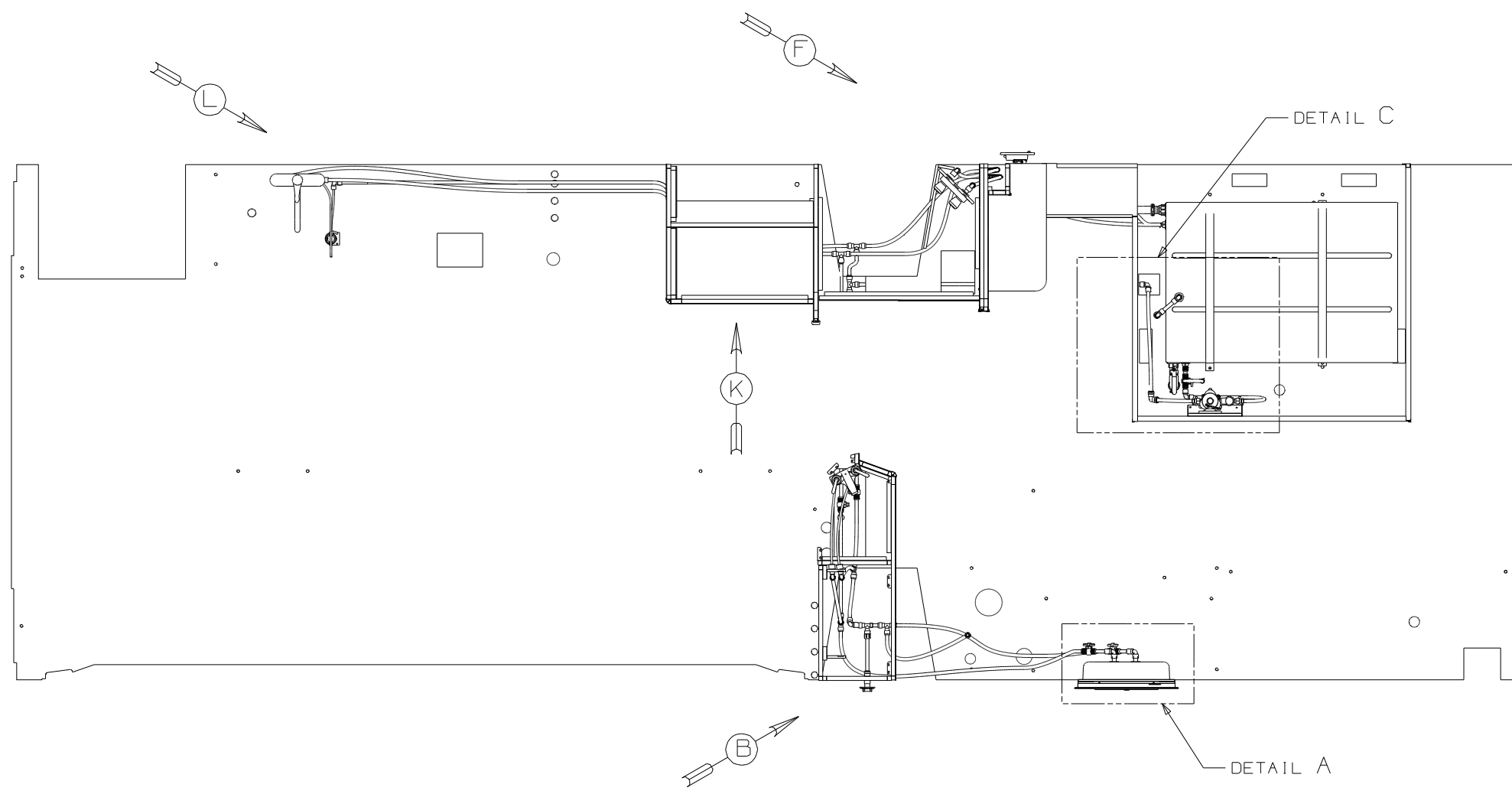
VIEW C

FIRST USED	10 331C
DO NOT SCALE DRAWING	
TITLE	DRAINAGE SYSTEM INSTL
SHEET 3	PART NO 169135 REV



VIEW E

FIRST USED	10 331C
TITLE	DO NOT SCALE DRAWING
SHEET 4	PART NO 169135 REV
11/30/2009	



- (64V) SIDEWALL-PREMIUM HIGH GLOSS
- (64T) SIDEWALLS-HIGH GLOSS
- (29B) WATER PURIFIER
- (50I) WATER PURIFIER WITHOUT
- (64R) EXTERIOR WASH STATION
- (1J4) EXT WASH STATION - WITHOUT
- (53F) WATER HEATER-ELEC. IGNITION
- (53E) WATER SYS WINTERIZATION PKG
- (53Z) WTR HTR-6GAL/110/LP/MTR/AUTO
- (08P) INTERIOR UPGRADE - WITHOUT
- (086) INTERIOR UPGRADE PACKAGE

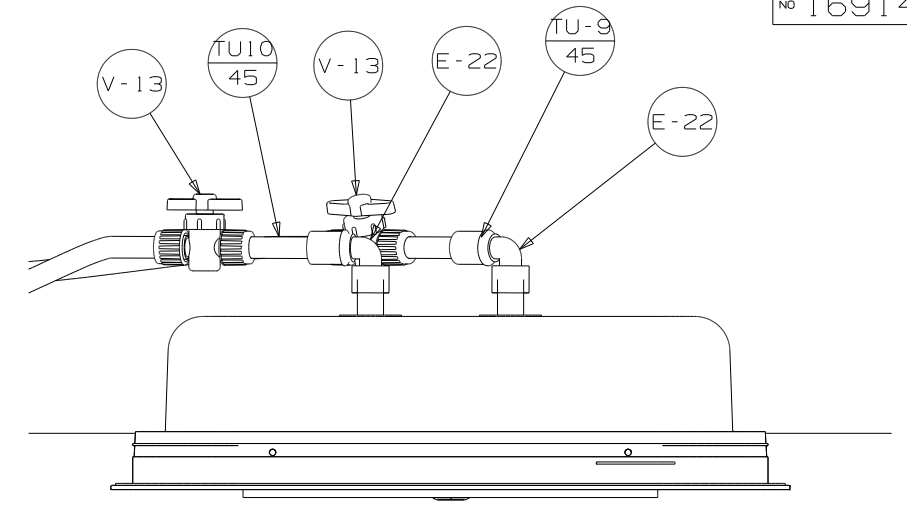
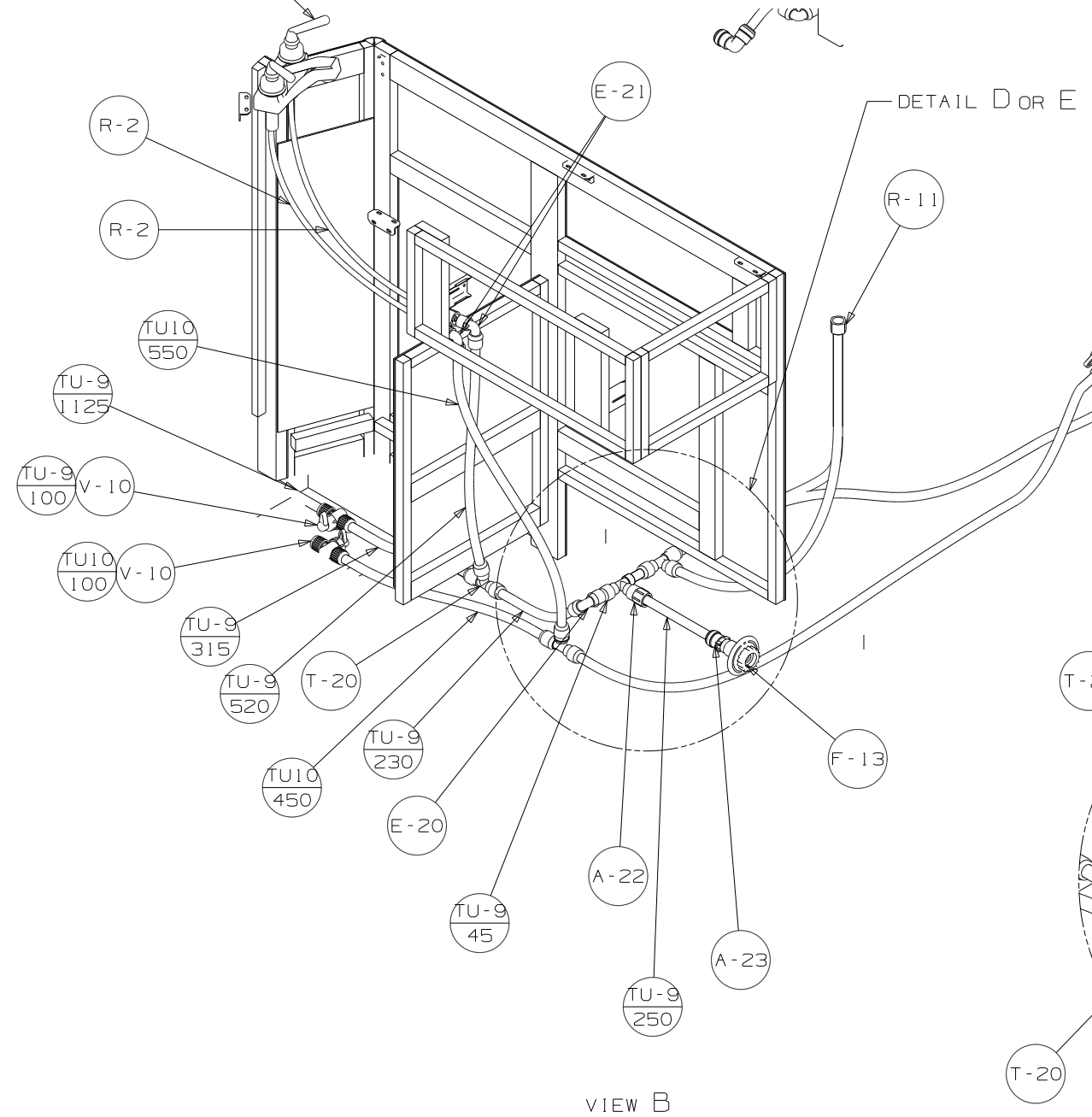
- 8 INSTALL BYPASS PLUG FOR SYSTEM TESTING AND SHIPPING.
  - 7 ADD PIPE WRAP (LADDER SCRAP 110157-02-000) INSULATION.
  - 6 ADD TEFLON TAPE 10405-03-000.
  - 5 ADD TEFLON TAPE 10405-02-000.
  - 4 ADD TEFLON TAPE 10405-01-000.
3. ALL TUBING TO BE SECURED AT 1200 INTERVALS MAXIMUM WITH CLAMP 10495-01-000 AND SCREW G67-10-12B OR EQUIVALENT.
  2. TUBING TO BE INSTALLED WITH SUFFICIENT SLOPE TO PROVIDE DRAINAGE TO NEAREST VALVE.
  1. PLASTIC FITTINGS TO BE SEALED WITH SEALANT 84456-01-000.

NOTES:

(X-X)  
FOR  
WATER  
CALLOUTS  
SEE DWG NO  
116230-01-000

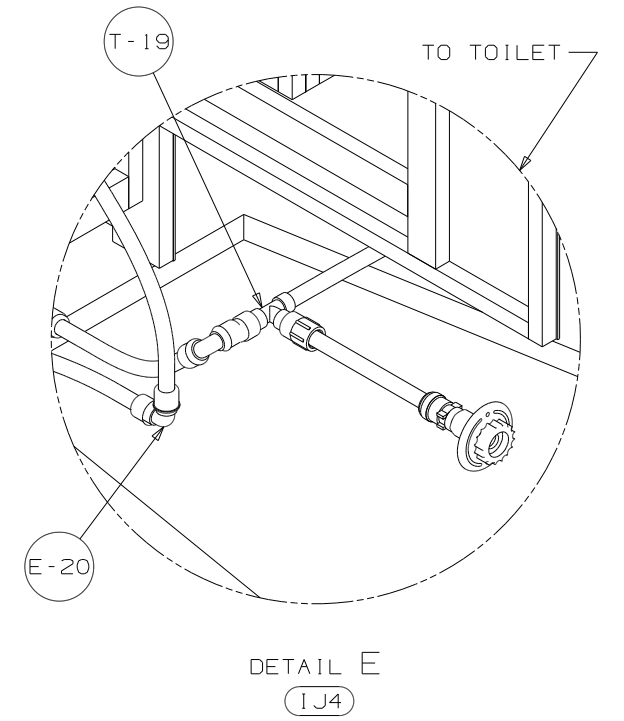
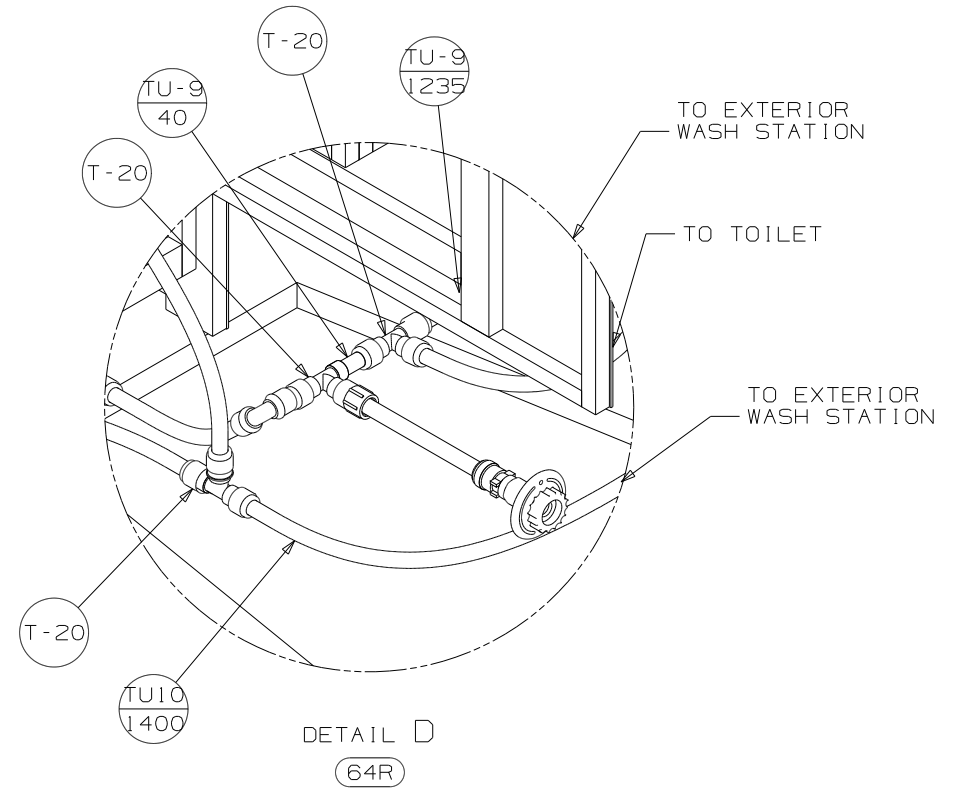
<b>WINNEBAGO</b>		COPYRIGHT 2009 WINNEBAGO INDUSTRIES, INC.	
DFT	ORIG. DATE	ALL DIMENSIONS ARE IN MILLIMETERS	
CHKR		FIRST USED	
P.E.		10 331C	
M.E.			
DSNR			
UNSPECIFIED TOLERANCES ARE:		MATERIAL:	
WHOLE DIM (X)	: 3		
ONE-PLACE (X.X)	: 1.5		
TWO-PLACE (X.XX)	: 0.50		
ANGLE	: 1°		
THIRD ANGLE PROJECTION			
DO NOT SCALE DRAWING			
TITLE: WATER SYSTEM INSTL			
SHEET 1 OF 5	PART NO	169145	REV
REF:	1 10/7/2009		

FAUCET  
 08P 148886-03-CHT  
 086 165730-01-CHT



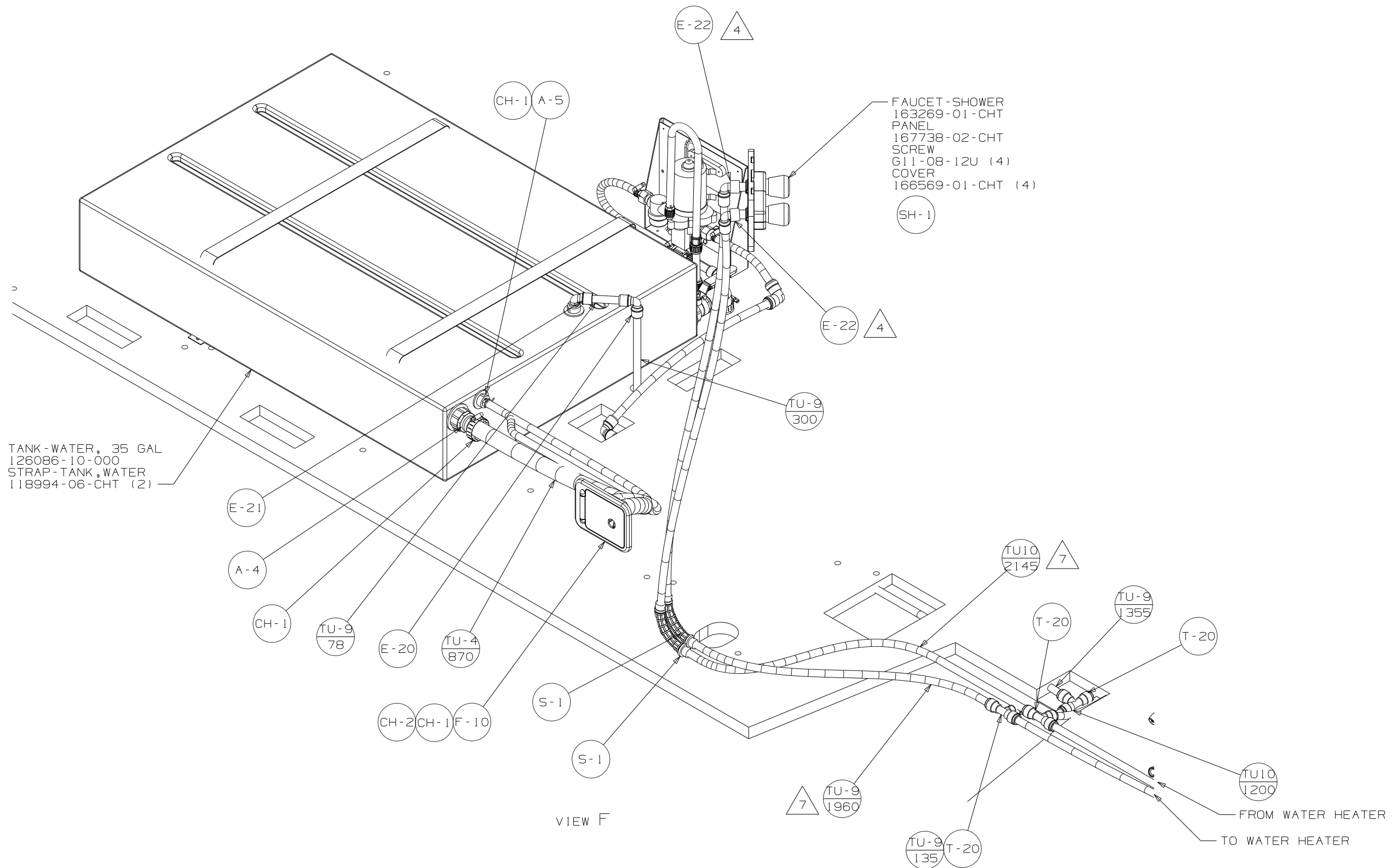
EXTR-ANGLE 64R  
 113140-51-002(2)

COMPARTMENT ASM-SHOWER 64R  
 155264-09-XXX 64T  
 155264-07-XXX 64V



VIEW B

FIRST USED	10 331C
TITLE	DO NOT SCALE DRAWING
TITLE	WATER SYSTEM INSTL
SHEET 2	PART NO 169145 REV



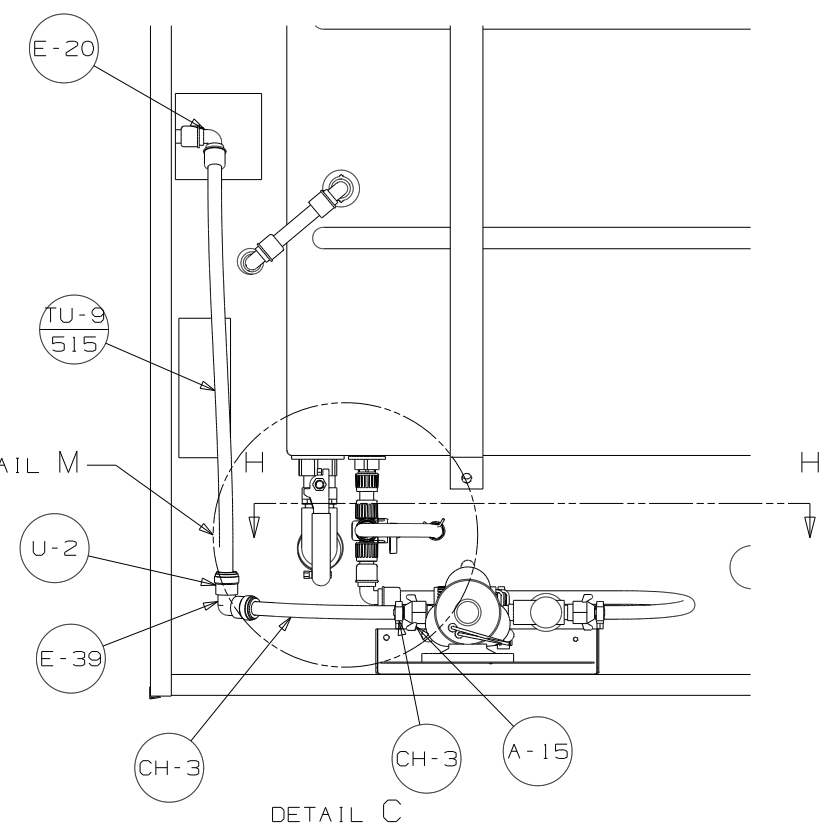
TANK-WATER, 35 GAL  
 126086-10-000  
 STRAP-TANK, WATER  
 118994-06-CHT (2)

FAUCET-SHOWER  
 163269-01-CHT  
 PANEL  
 167738-02-CHT  
 SCREW  
 G11-08-12U (4)  
 COVER  
 166569-01-CHT (4)

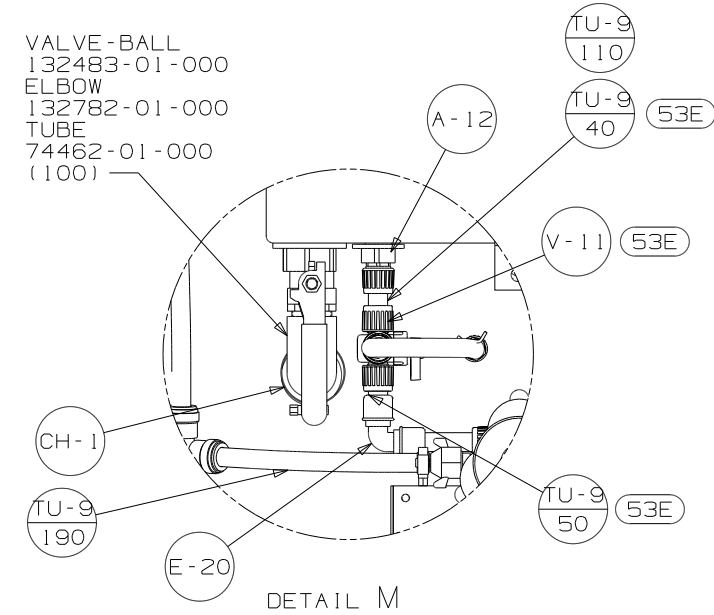
FIRST USED	10 331C
DO NOT SCALE DRAWING	
TITLE:	WATER SYSTEM INSTL
SHEET 3	PART NO 169145 REV

- PANEL - WATER PUMP
- 149477-05-CHT
- FOAM-PAD
- 140364-06-CHT
- SCREW
- G39-10-16T (4)
- BRACKET
- 169554-01-CHT

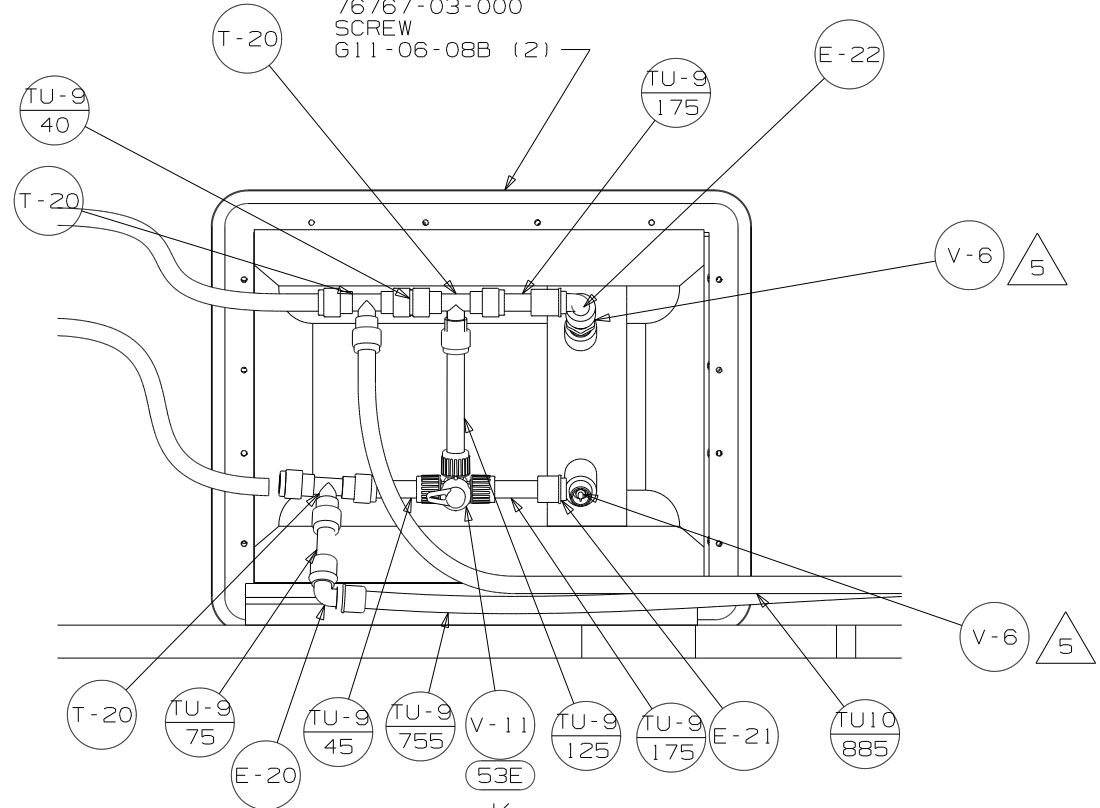
- WATER HEATER
- 51391-03-000
- FLANGE - WATER HEATER
- 145541-02-000
- 152239-01-CHT
- DOOR
- 125420-06-CHT
- AL EXTR
- 165959-51-002 (2)
- 165959-51-004 (2)
- SCREW
- G39-10-169 (18)
- SEALANT
- 69640-14-000
- 112864-01-000
- PLATFORM
- 136366-01-000
- CABLE
- 76767-03-000
- SCREW
- G11-06-08B (2)



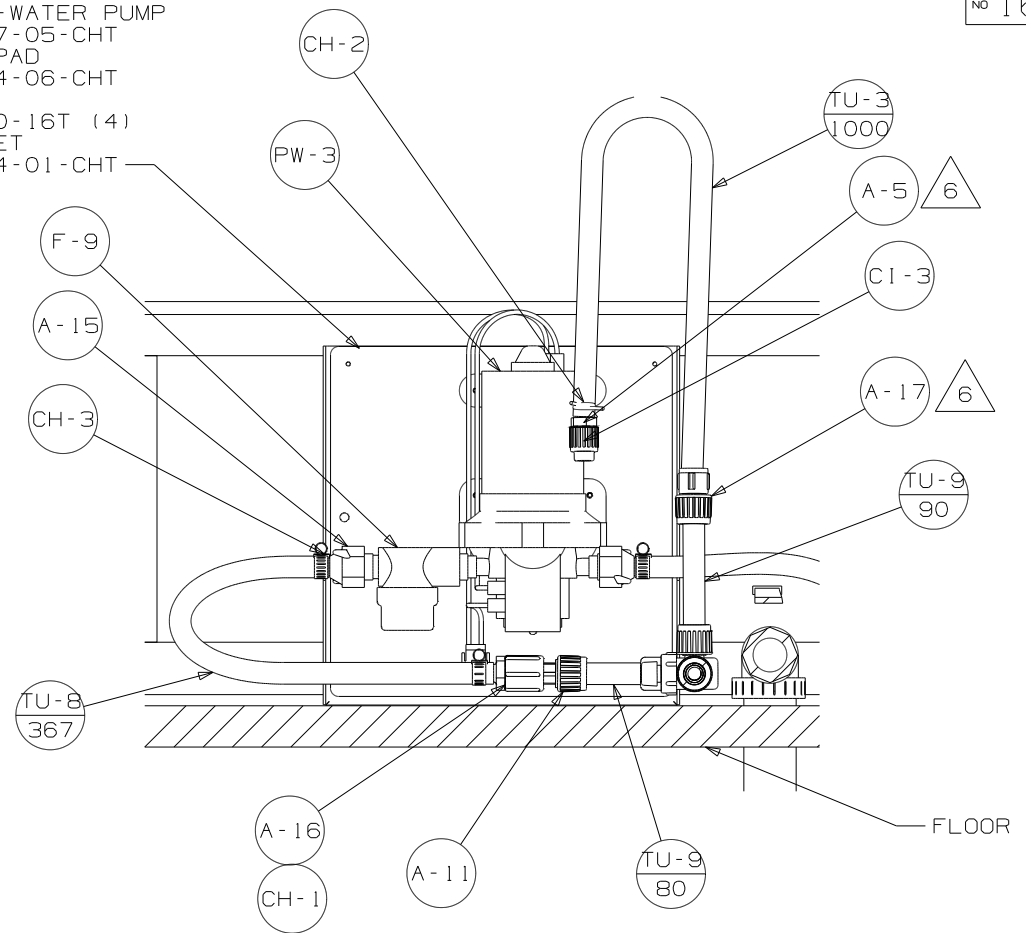
DETAIL C



DETAIL M



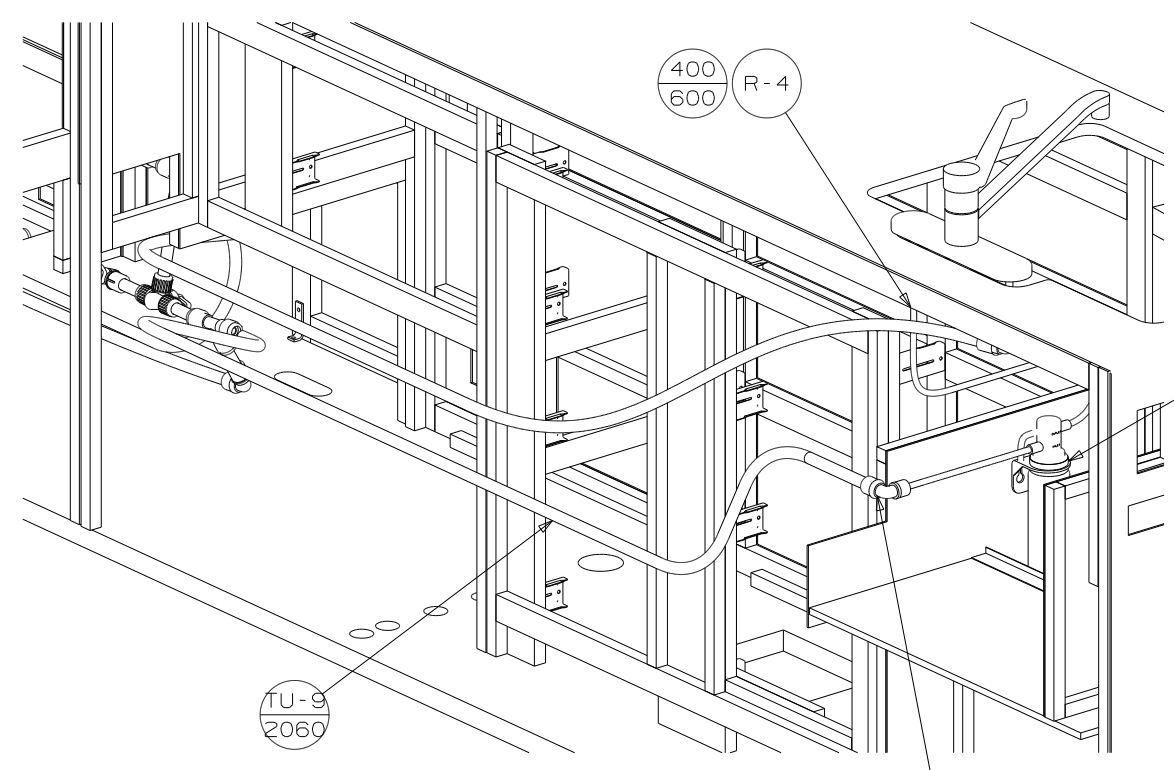
VIEW K (ROTATED)



SECTION H-H (ROTATED)

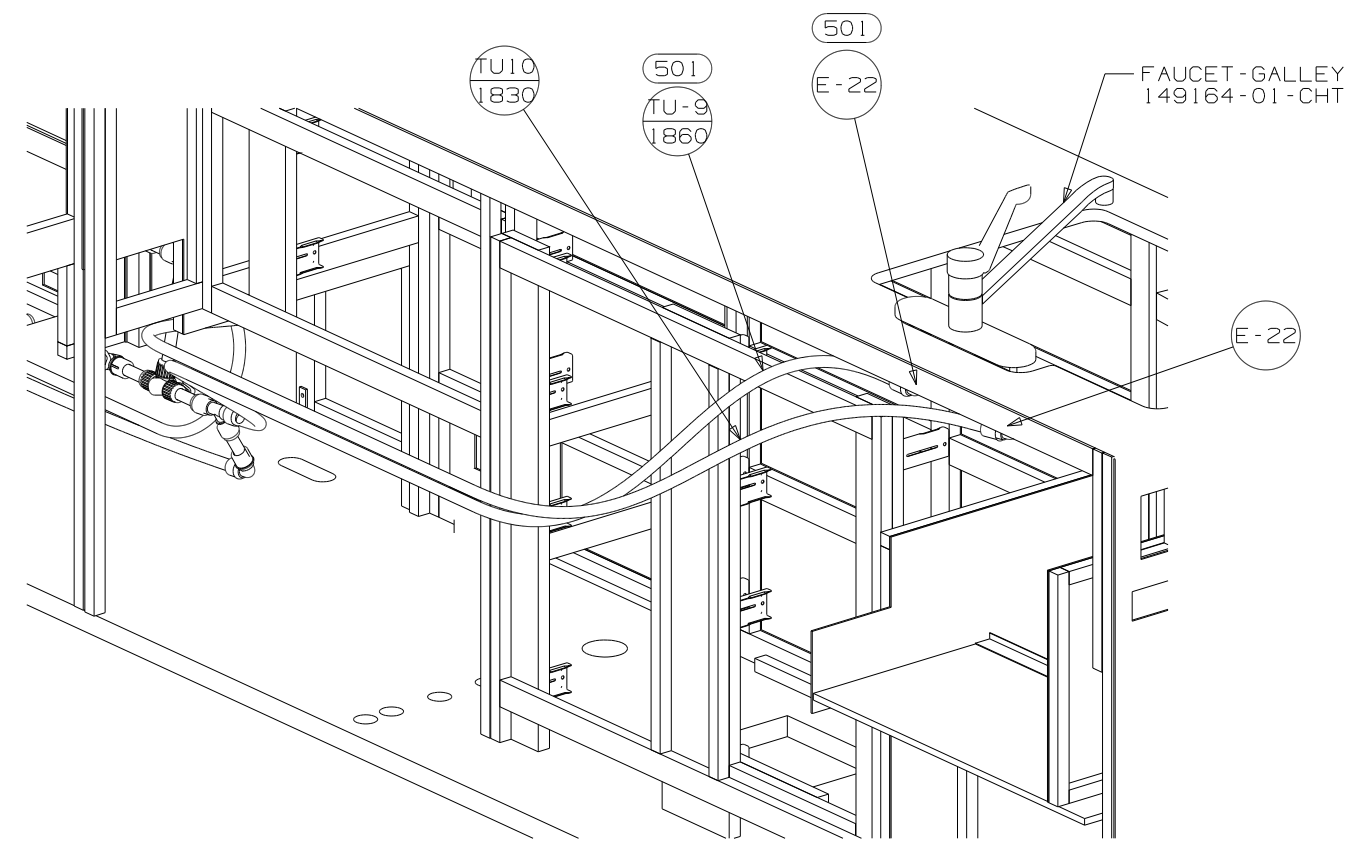
FIRST USED	10 331C
DO NOT SCALE DRAWING	
TITLE:	WATER SYSTEM INSTL
SHEET 4	PART NO 169145 REV





FILTER  
 160946-03-000  
 SCREW  
 G67-10-12U (2)

VIEW L  
29B



VIEW L

FIRST USED	10 331C
DO NOT SCALE DRAWING	
TITLE:	WATER SYSTEM INSTL
SHEET 5	PART NO 169145 REV