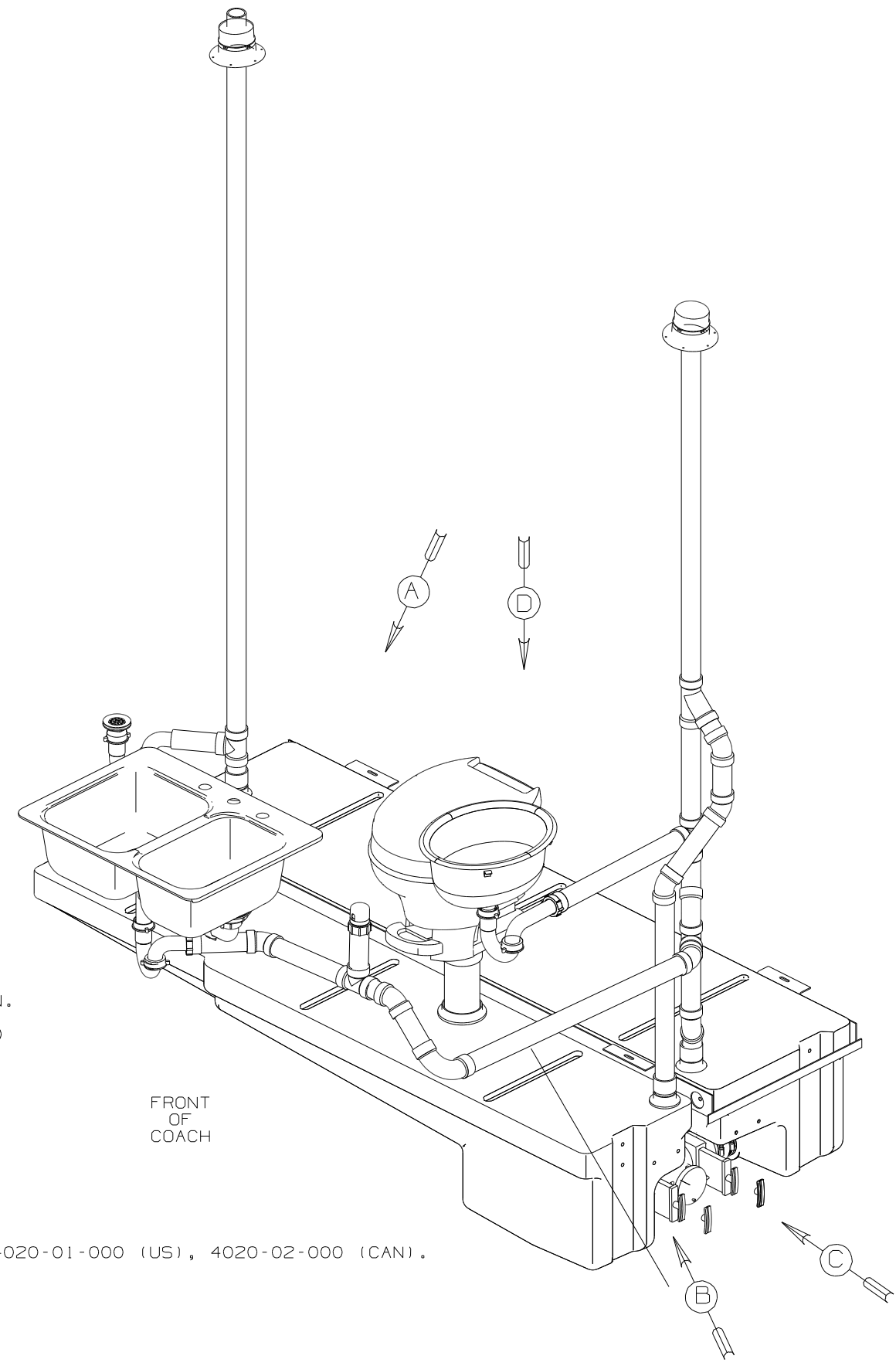


DWG NO	CRADLE ASM	CRADLE ASM	BOLT
164674-01	139596-01-CHT	139597-01-CHT	000C18-05-40A
164674-02	139596-04-CHT	139597-03-CHT	---

RELEASE	REV DATE	DWG NO
A		164674
REV ZONE	REVISION RECORD	DATE
		DFTR-0016

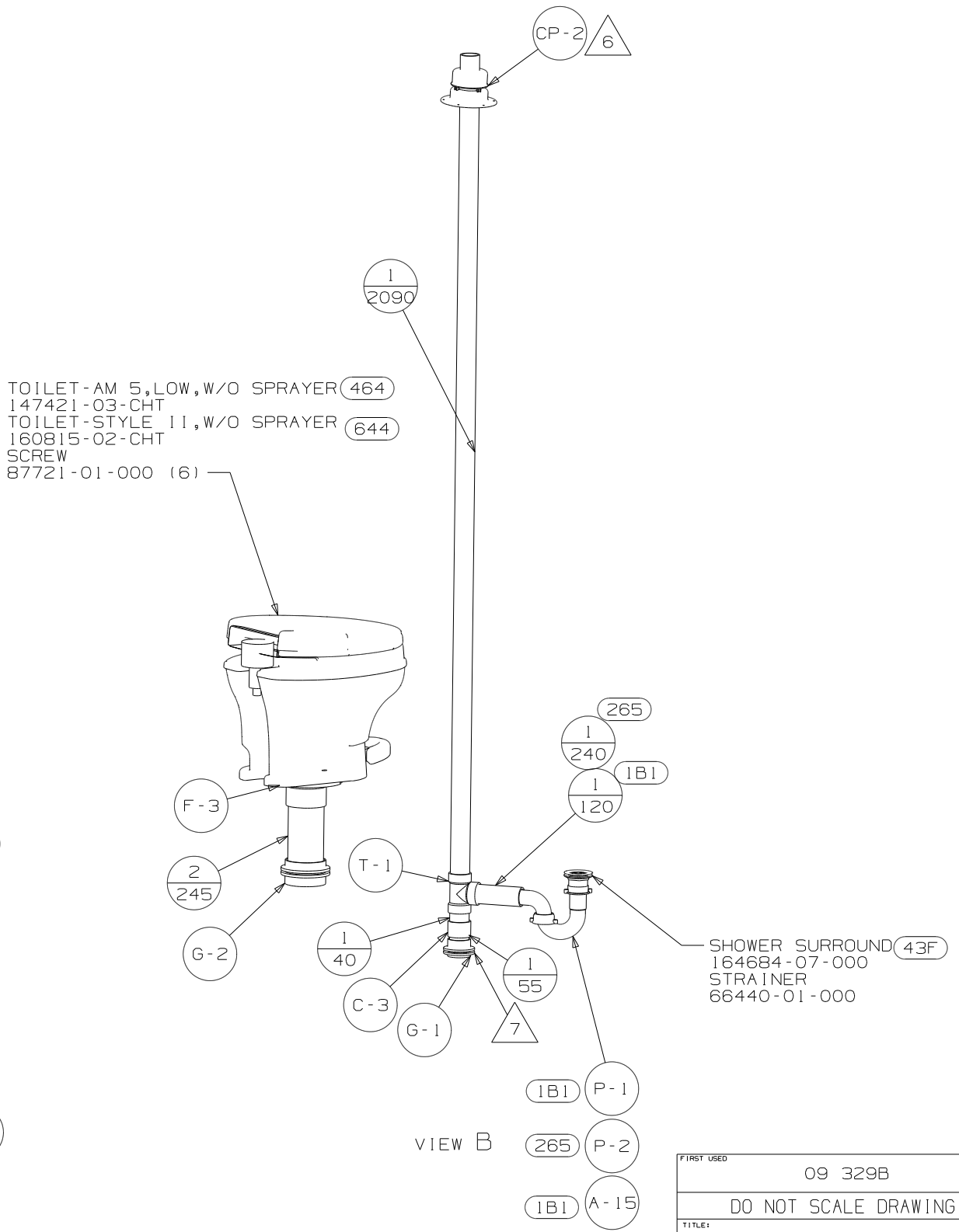
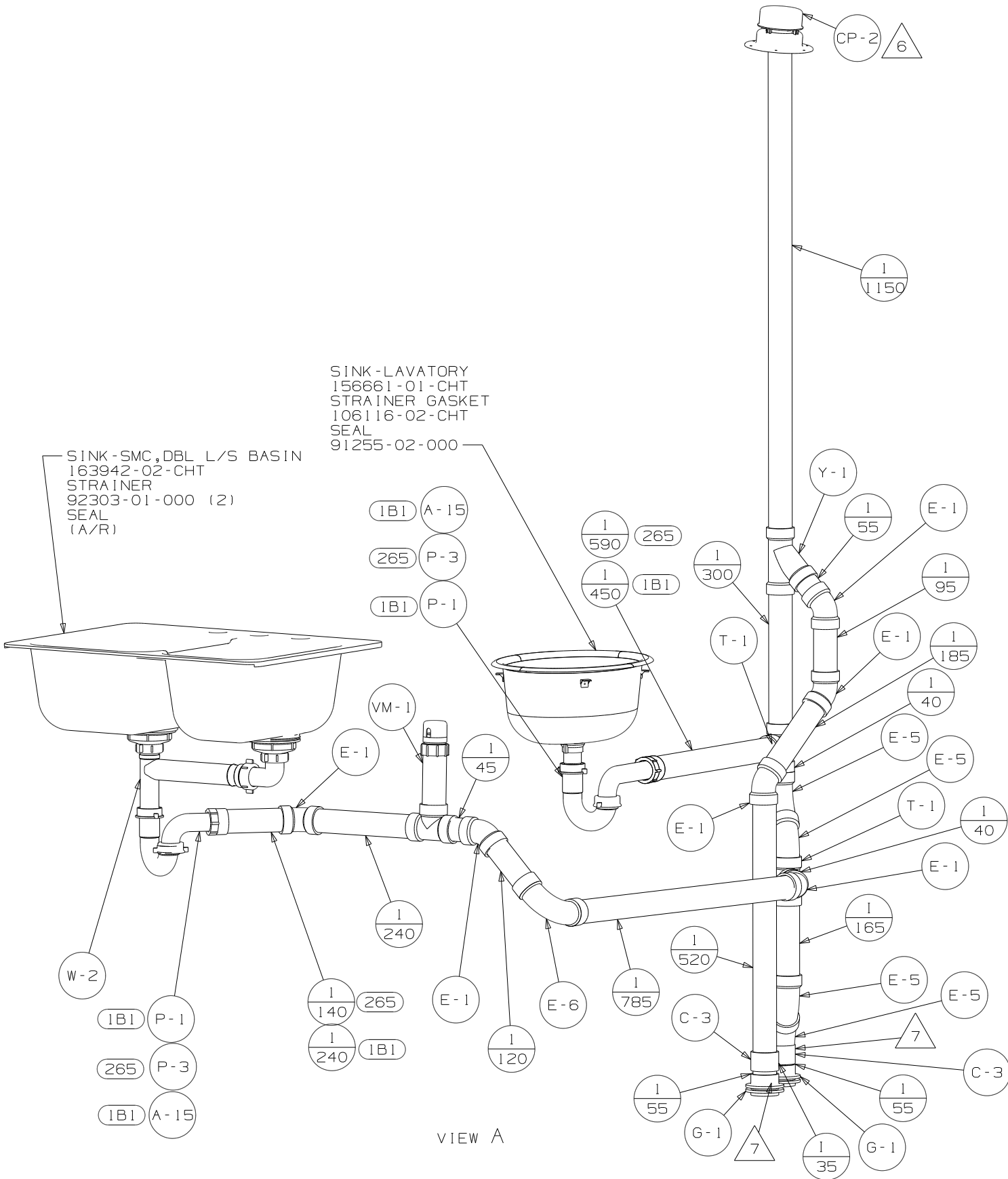


- NOTES:
9. SEE WIRING INSTL-BODY, 12V FOR ELECTRICAL CONNECTION.
 8. SECURE PIPES TO CABINET USING WIRE TIE 108046-02-000 AND SCREW G67-10-12B.
 7. SECURE VENT TO FLOOR WITH BRACKET 136878-01-CHT CLAMP 62401-02-000, SCREW G67-10-12B.
 6. VENT PIPE MUST PROJECT 51 MIN AND 64 MAX ABOVE ROOF FOR PROPER FIT AND FUNCTION.
 5. SEAL AROUND SHOWER WITH SILICONE.
 4. INSTALL PER MANUFACTURER'S LABEL.
 3. ALL PIPE AND FITTINGS TO BE ASSEMBLED WITH SOLVENT 4020-01-000 (US), 4020-02-000 (CAN).
 2. SLOPE OF TRAP ARM MUST BE 6 PER 305mm.
 1. SLOPE OF HORIZONTAL PIPING TO BE MIN 6 PER 305 mm.

- (1B1) CODES/STANDARDS-USA
- (265) CODES/STANDARDS-CSA,CMVSS
- (43F) SHOWER SURROUND
- (464) TOILET
- (644) GREAT ASLASKAN RENTAL PKG

WINNEBAGO		COPYRIGHT 2009 WINNEBAGO INDUSTRIES, INC.	
DFTR	ORIG. DATE	ALL DIMENSIONS ARE IN MILLIMETERS	
CHKR		FIRST USED	
P.E.		09 329B	
M.E.		UNSPECIFIED TOLERANCES ARE:	
DSNR		MATERIAL:	
		WHOLE DIM (X)	: 3
		ONE-PLACE (X.X)	:
		TWO-PLACE (X.XX)	:
		ANGLE	:
		THIRD ANGLE PROJECTION	
DO NOT SCALE DRAWING			
TITLE: DRAINAGE SYSTEM INSTL			
SHEET 1 OF 3	PART NO	164674	REV
REF:	1 12/7/2009		

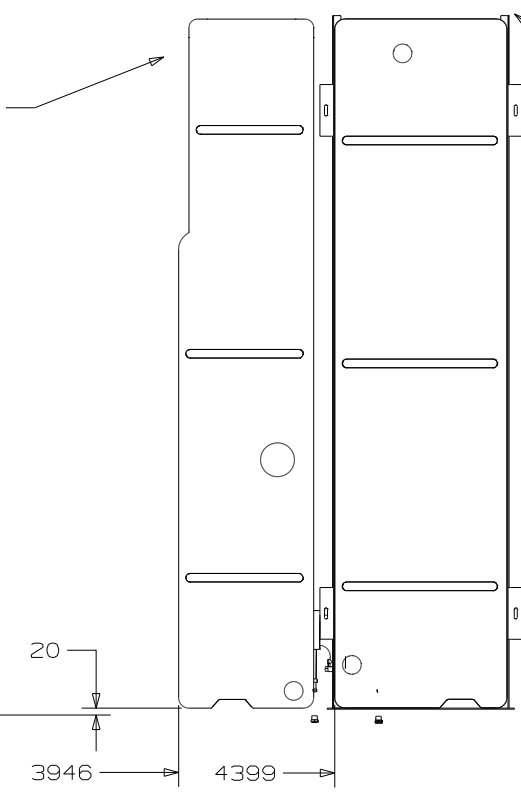
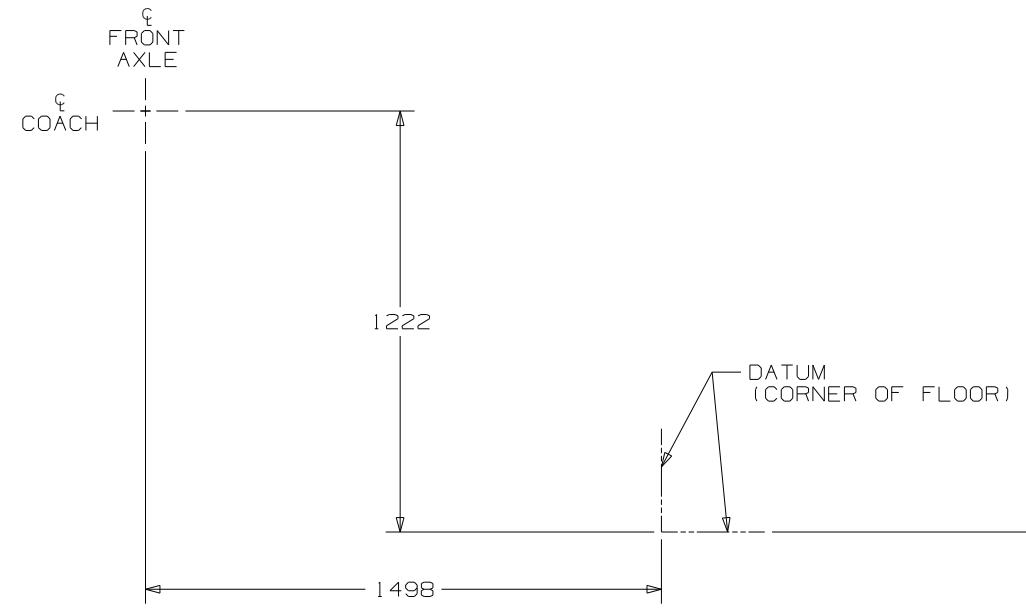
(X-X)
FOR
DRAINAGE
CALLOUTS
SEE DWG NO
116229-01-000



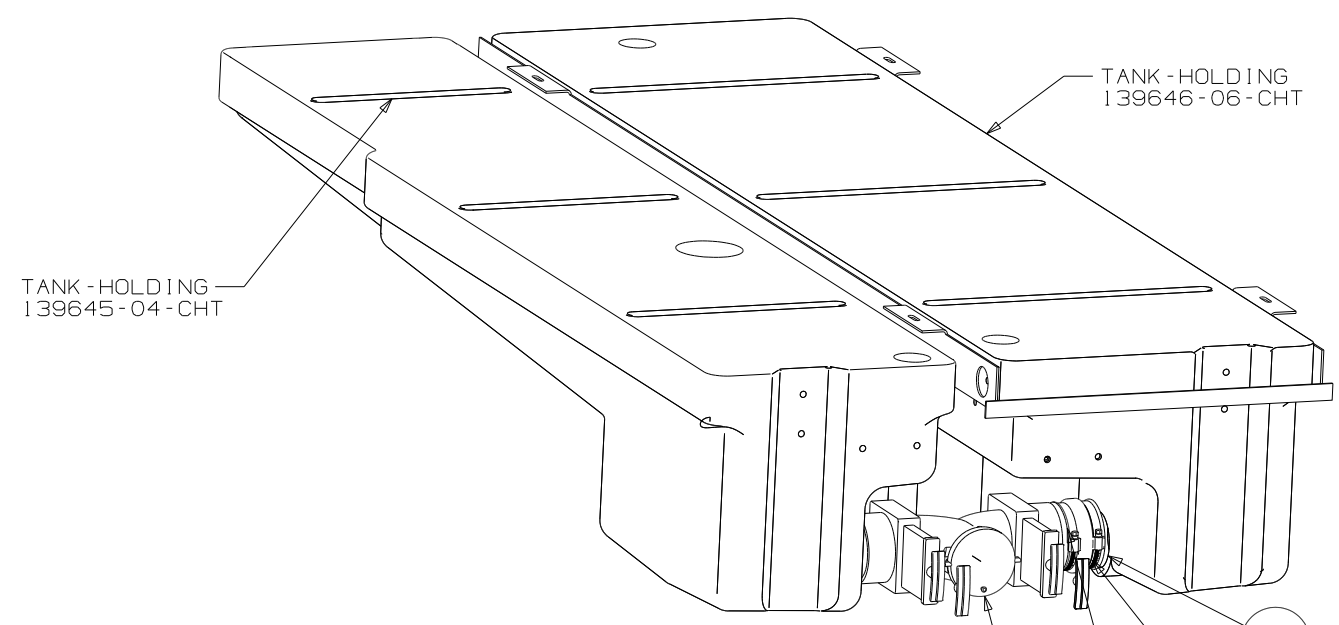
FIRST USED	09 329B	
TITLE	DO NOT SCALE DRAWING	
	DRAINAGE SYSTEM INSTL	
SHEET 2	PART NO	164674
	REV	

CRADLE ASM
(SEE TAB)
BOLT
(SEE TAB) (4)
NUT
D14-05-00B (4)

CRADLE ASM
(SEE TAB)
BOLT
(SEE TAB) (4)
NUT
D14-05-00B (4)

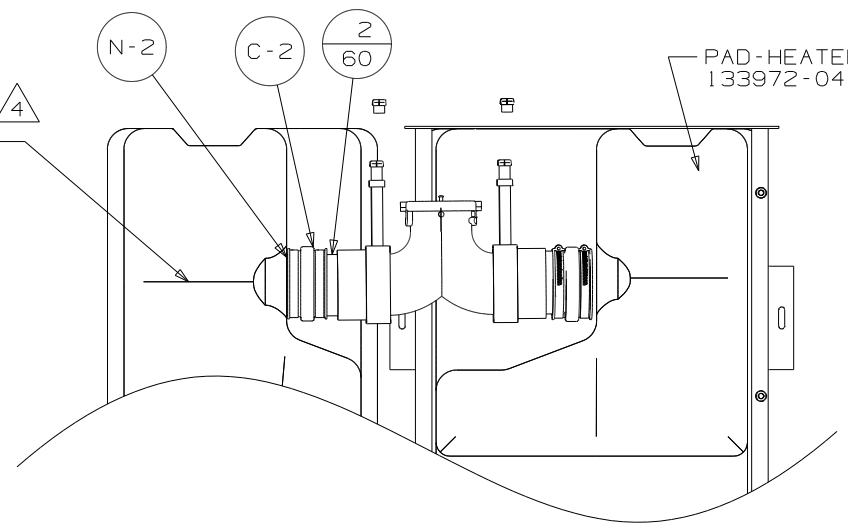


VIEW D

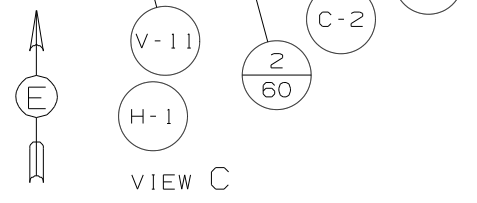


PAD-HEATER
133972-04-000

PAD-HEATER
133972-04-000



VIEW E

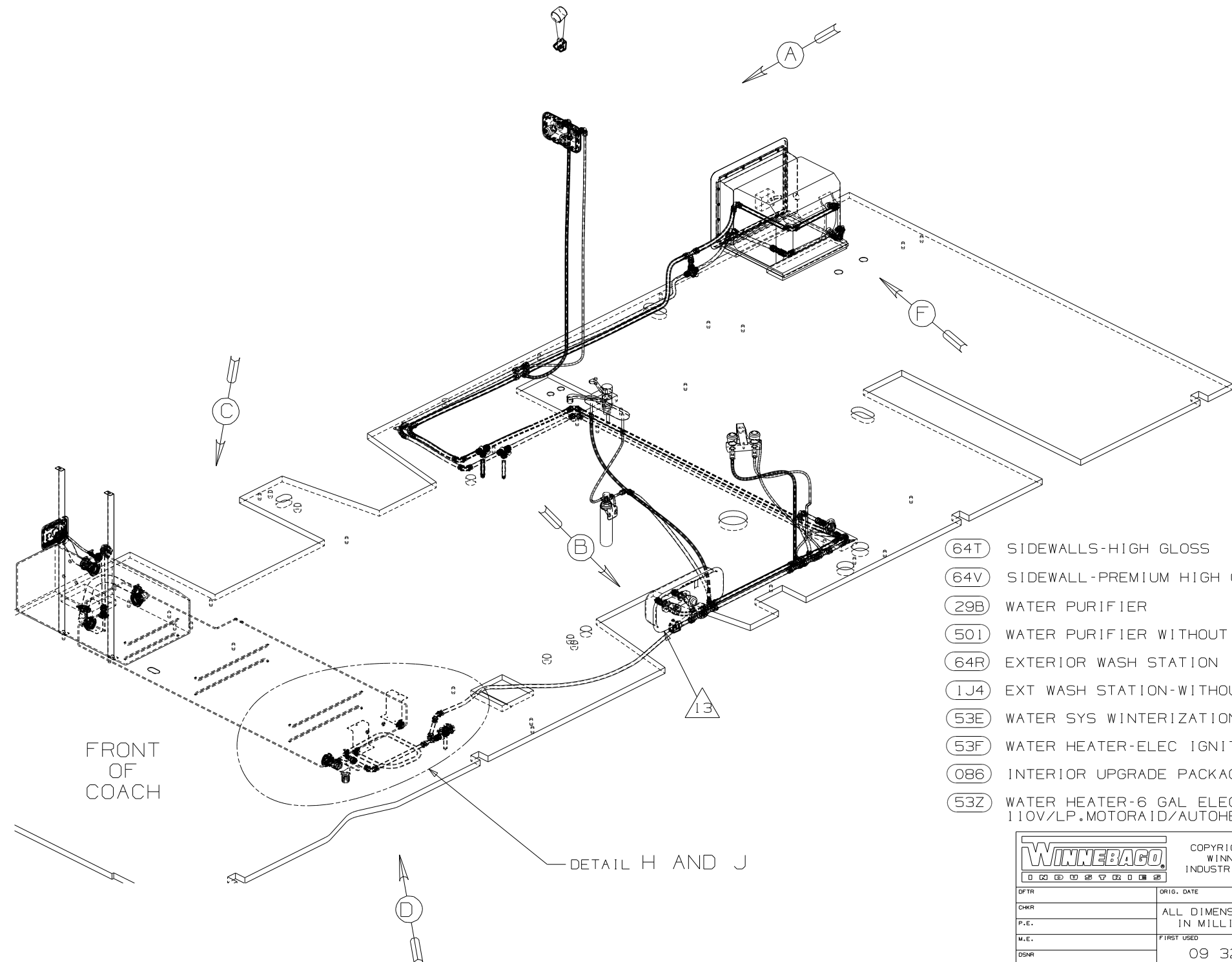


VIEW C

FIRST USED	09 329B		
TITLE	DO NOT SCALE DRAWING		
	DRAINAGE SYSTEM INSTL		
SHEET 3	PART NO	164674	REV

DWG NO	TOILET
164675-01	148886-01-CHT
164675-02	148886-03-CHT

RELEASE	REV DATE	DWG NO	164675
REV ZONE	REVISION RECORD	DATE	DFTR-ORIG



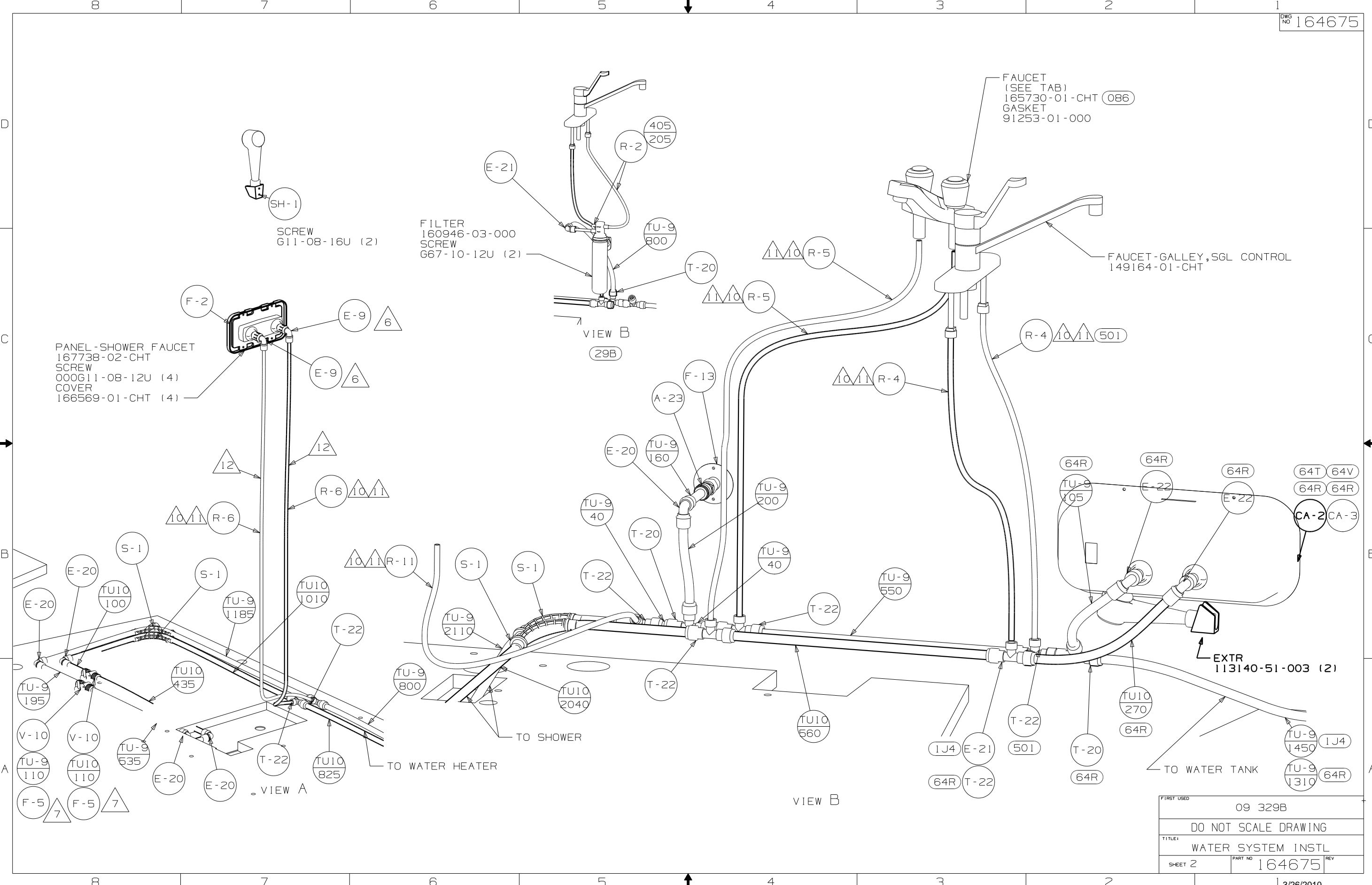
- 13. HINGE DOWN.
 - 12. ADD PIPE WRAP (LADDER SCRAP) 110157-02-000 INSULATION, OR CARPET PAD (SCRAP) 75233-06-000.
 - 11. LABEL HOT AND COLD SUPPLY LINES.
 - 10. TAPE FITTING TO LINE BEFORE CABINET SET TO PREVENT FITTING FROM MOVING.
 - 9. BOLTS ON FRONT SIDE OF WATER TANK ARE TO BE INSTALLED WITH HEAD OF BOLT ON TOP SIDE OF FLOOR.
 - 8. ATTACH WASHER-PLASTIC 87080-13 WITH TAPE-DOUBLE 123816-03 ON BOTTOM SIDE OF LOWER FLOOR.
 - 7. ATTACH WASHER-PLASTIC 87080-11 WITH TAPE-DOUBLE 123816-03 ON BOTTOM SIDE OF COMPARTMENT.
 - 6. ADD TEFLON TAPE 10405-03-000.
 - 5. ADD TEFLON TAPE 10405-02-000.
 - 4. ADD TEFLON TAPE 10405-01-000.
3. ALL TUBING TO BE SECURED AT 1200 INTERVALS MAXIMUM WITH CLAMP 10495-01-000 AND SCREW G67-10-12B OR EQUIVALENT.
2. TUBING TO BE INSTALLED WITH SUFFICIENT SLOPE TO PROVIDE DRAINAGE TO NEAREST VALVE.
1. PLASTIC FITTINGS TO BE SEALED WITH SEALANT 84456-01-000.

- 64T SIDEWALLS-HIGH GLOSS
- 64V SIDEWALL-PREMIUM HIGH GLOSS
- 29B WATER PURIFIER
- 50I WATER PURIFIER WITHOUT
- 64R EXTERIOR WASH STATION
- 1J4 EXT WASH STATION-WITHOUT
- 53E WATER SYS WINTERIZATION PKG
- 53F WATER HEATER-ELEC IGNITION
- 086 INTERIOR UPGRADE PACKAGE
- 53Z WATER HEATER-6 GAL ELEC IGN/110V/LP.MOTORAID/AUTOHEATER

WINNEBAGO		COPYRIGHT 2010 WINNEBAGO INDUSTRIES, INC.	
DFTR	ORIG. DATE	ALL DIMENSIONS ARE IN MILLIMETERS	
CHKR		FIRST USED	
P.E.		09 329B	
M.E.		UNSPECIFIED TOLERANCES ARE:	
DSNR		WHOLE DIM (X.X) : 7	
		ONE-PLACE (X.X.X) :	
		TWO-PLACE (X.XX) :	
		ANGLE :	
		THIRD ANGLE PROJECTION	
DO NOT SCALE DRAWING		REFER TO ES0018 FOR FASTENER TIGHTENING GUIDELINES	
TITLE: WATER SYSTEM INSTL			
SHEET 1 OF 5	PART NO	164675	
REF:	1/3/26/2010		

(X-X)
FOR WATER CALLOUTS SEE DWG NO 116230-01-000

NOTES:



PANEL - SHOWER FAUCET
 167738-02-CHT
 SCREW
 000611-08-12U (4)
 COVER
 166569-01-CHT (4)

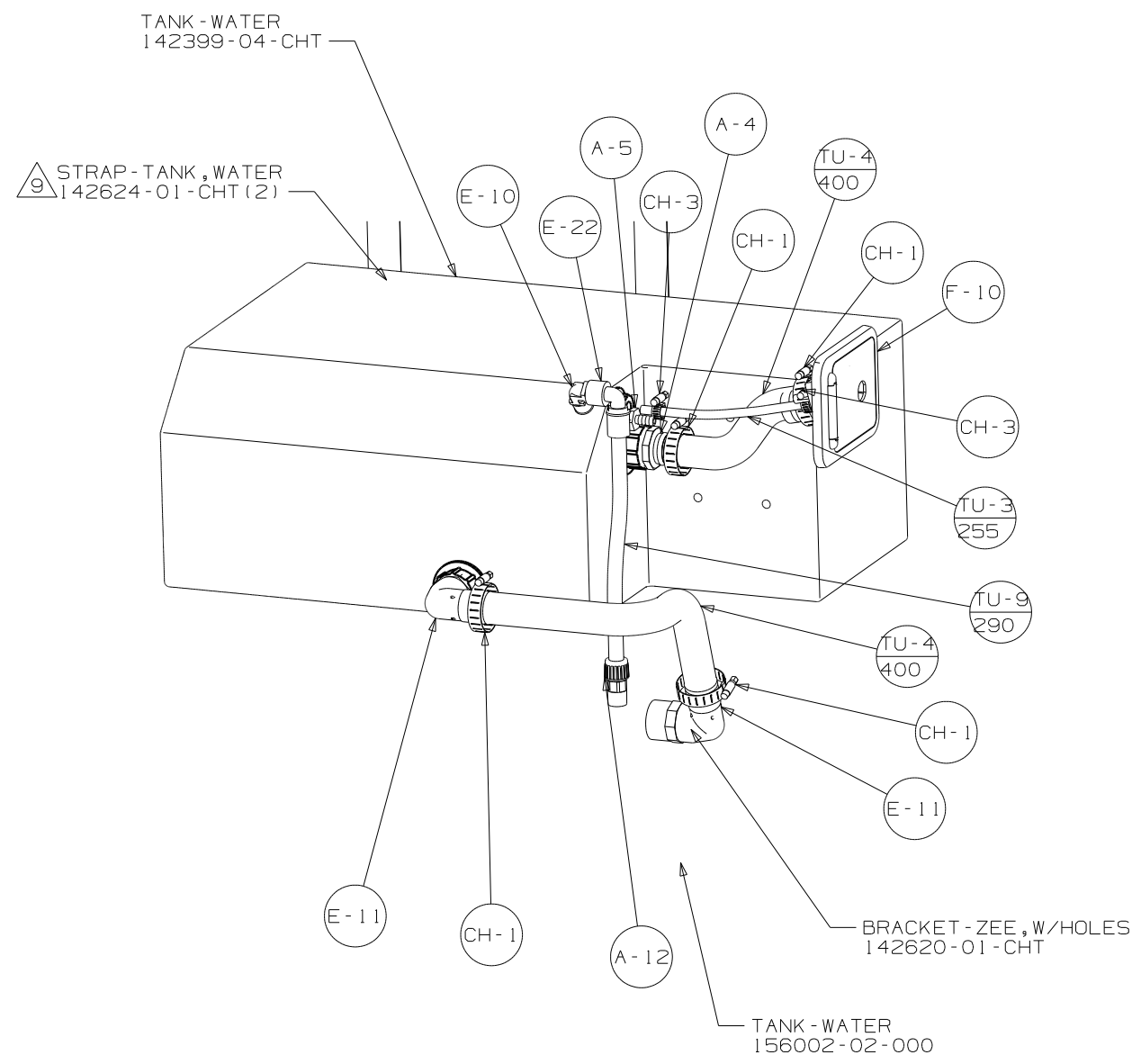
FILTER
 160946-03-000
 SCREW
 667-10-12U (2)

FAUCET
 (SEE TAB)
 165730-01-CHT (086)
 GASKET
 91253-01-000

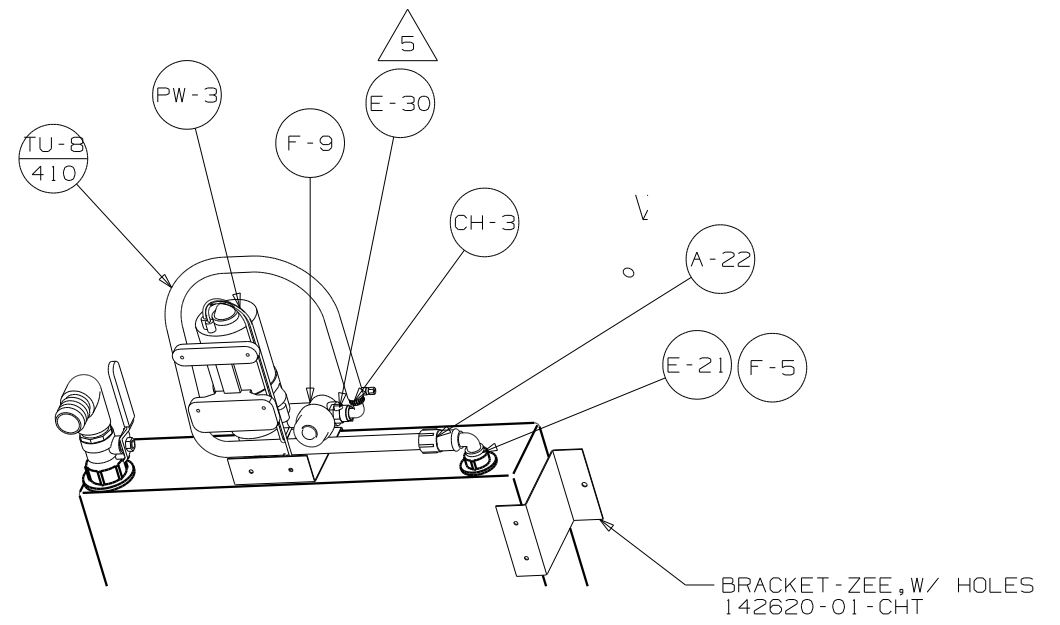
FAUCET - GALLEY, SGL CONTROL
 149164-01-CHT

EXTR
 113140-51-003 (2)

FIRST USED	09 329B	
TITLE	DO NOT SCALE DRAWING	
TITLE	WATER SYSTEM INSTL	
SHEET 2	PART NO	164675
	REV	

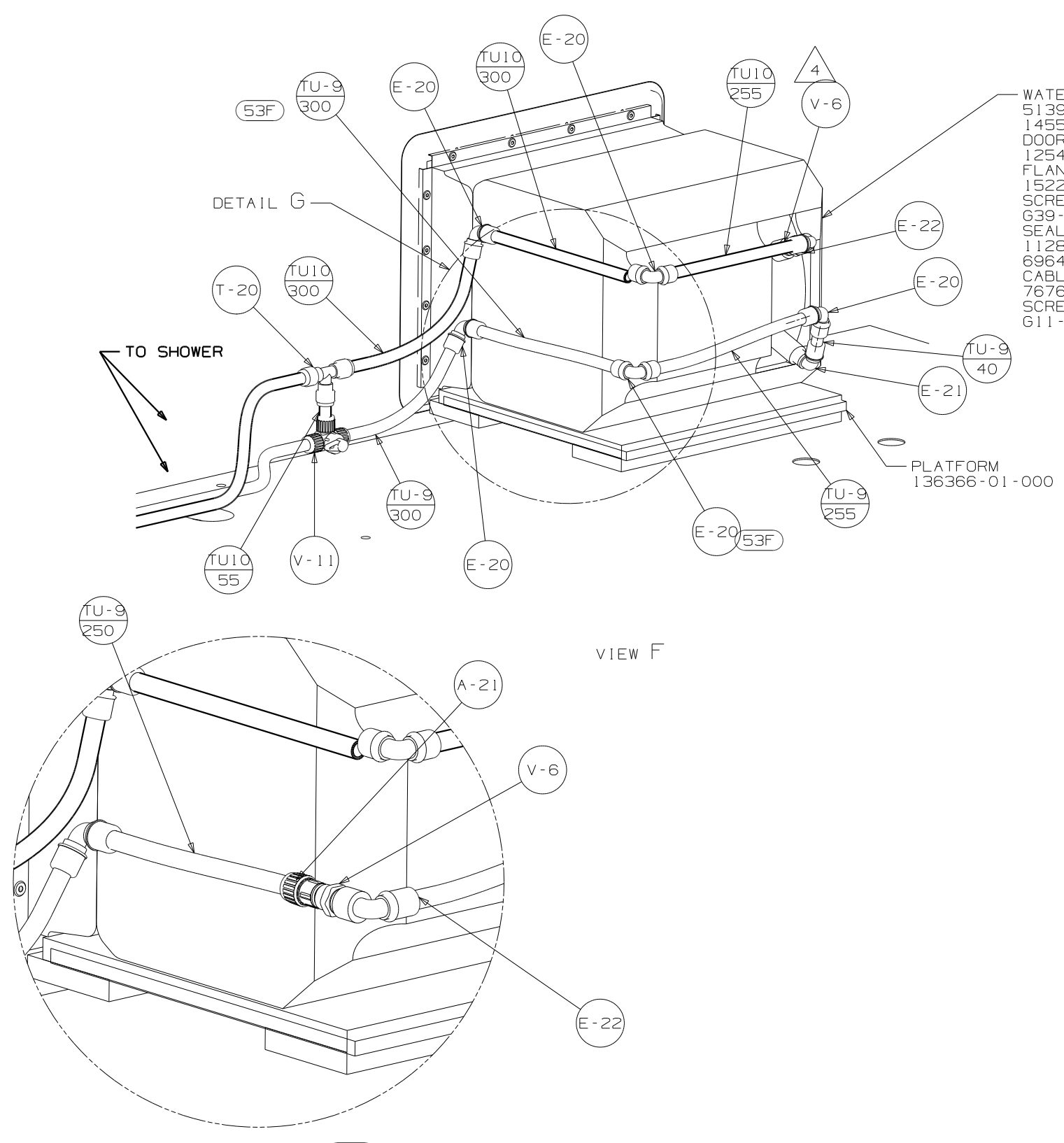


VIEW C
(FLOOR NOT SHOWN)

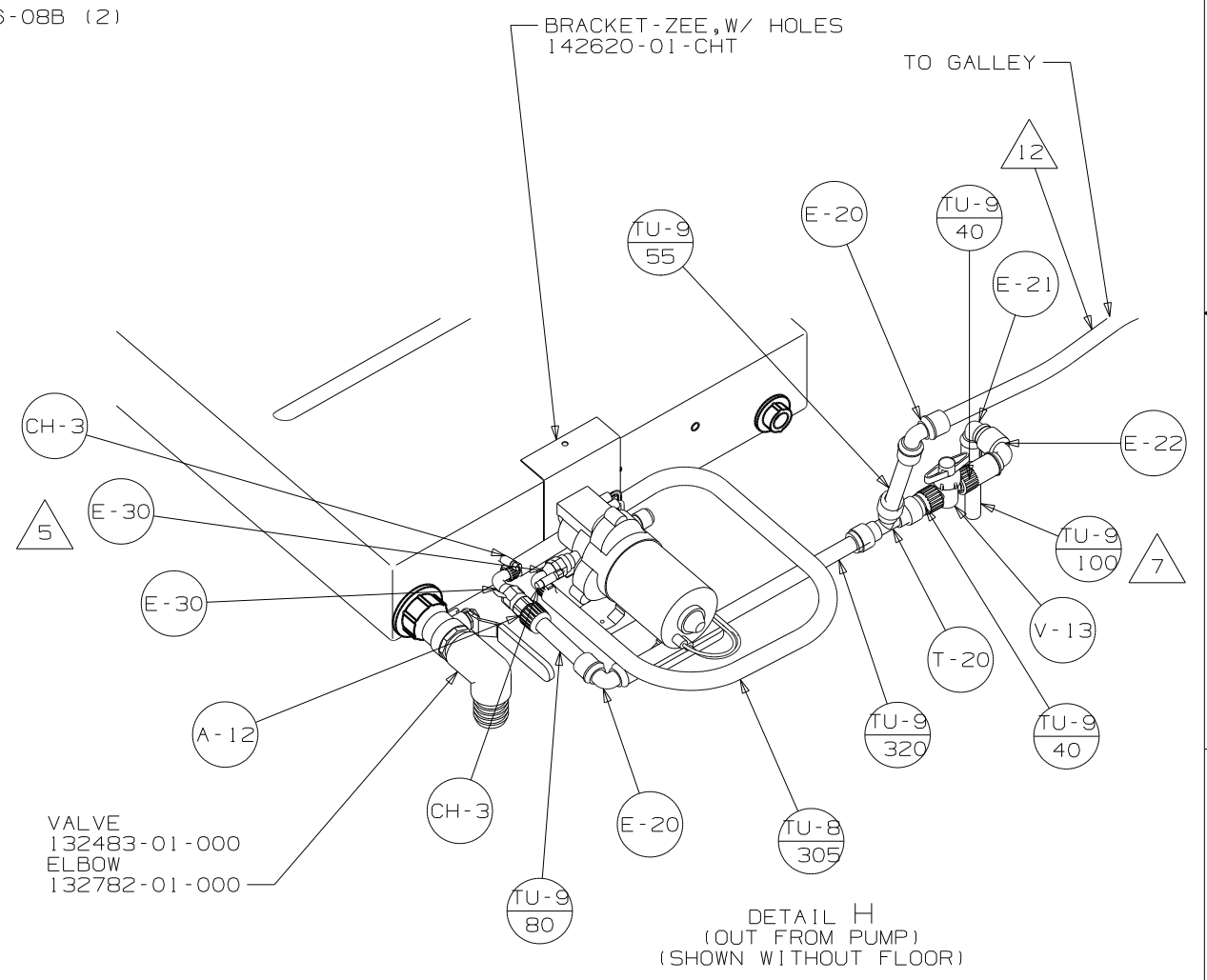


VIEW D
(FROM TANK TO PUMP)
(SHOWN FROM BOTTOM)

FIRST USED	09 329B		
TITLE	DO NOT SCALE DRAWING		
TITLE	WATER SYSTEM INSTL		
SHEET 3	PART NO	164675	REV

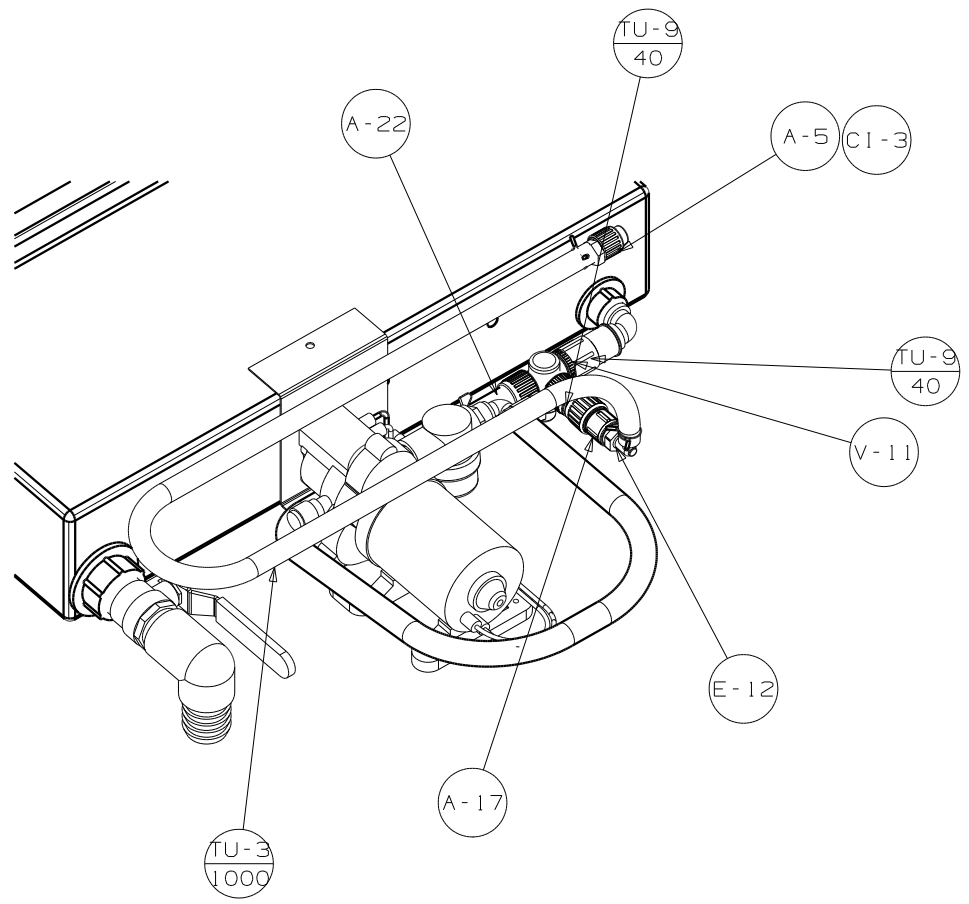


- WATER HEATER
51391-03-000 (53F)
- 145541-02-000 (53Z)
- DOOR
125420-06-CHT
- FLANGE-WATER HEATER
152239-01-CHT
- SCREW
639-10-169 (18)
- SEALANT
112867-01-000
- 69640-14-000
- CABLE
76767-03-000
- SCREW
G11-06-08B (2)



DETAIL G (53Z)

FIRST USED	09 329B	
TITLE	DO NOT SCALE DRAWING	
TITLE	WATER SYSTEM INSTL	
SHEET 4	PART NO	164675 REV



DETAIL J (53E)
(SHOWN WITHOUT FLOOR)

FIRST USED	09 329B		
DO NOT SCALE DRAWING			
TITLE	WATER SYSTEM INSTL		
SHEET 5	PART NO	164675	REV