

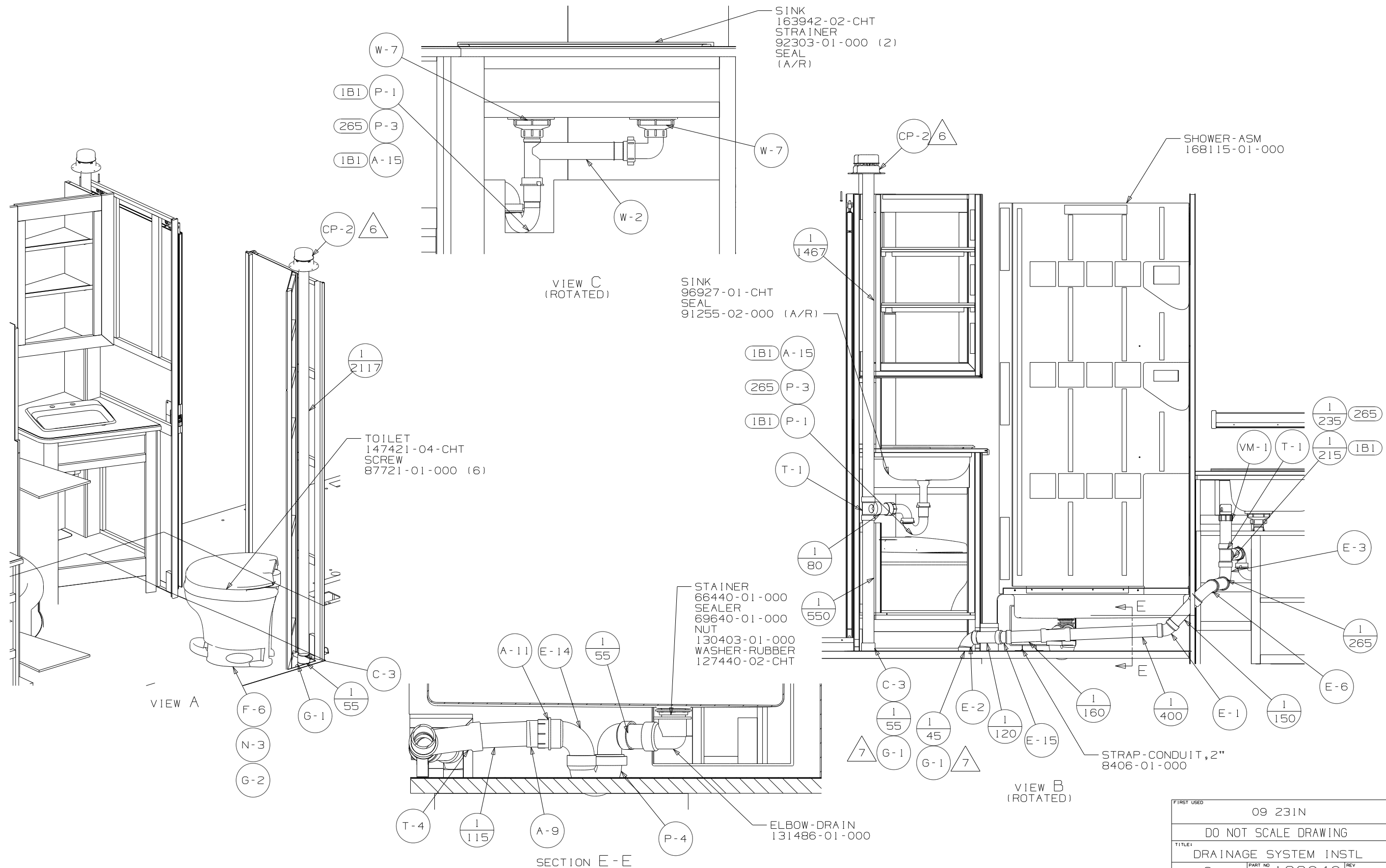
- (1B1) CODES/STANDARDS-USA
- (265) CODES/STANDARDS-CSA/CMVSS
- (23T) DRAINAGE SYSTEM-HEATED

- 8 SECURE PIPES TO CABINET USING WIRE TIE 108046-02-000 AND SCREW G67-10-12B.
- 7 SECURE VENT TUBES TO FLOOR WITH CLAMP 62401-02-000 (2), SCREW G67-10-12B (2), AND BRACKET 136878-01-CHT (2).
- 6 VENT PIPE MUST PROJECT 51 MIN AND 64 MAX ABOVE ROOF FOR PROPER FIT AND FUNCTION.
5. SEAL AROUND SHOWER WITH SILICONE.
4. SEE WIRING INSTL-BODY, 12V FOR ELECTRICAL CONNECTION.
3. ALL PIPE AND FITTINGS TO BE ASSEMBLED WITH SOLVENT 4020-01-000 (USA), 4020-02-000 (CAN)
2. SLOPE OF TRAP ARM MUST BE 6 PER 305 mm.
1. SLOPE OF HORIZONTAL PIPING TO BE MIN 3 PER 305 mm.

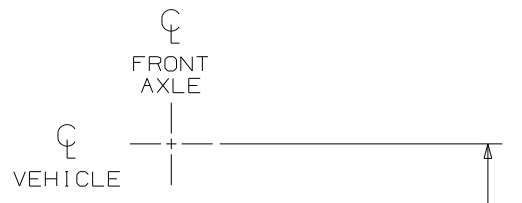
WINNEBAGO		COPYRIGHT 2010 WINNEBAGO INDUSTRIES, INC.	
D/FR	ORIG. DATE	ALL DIMENSIONS ARE IN MILLIMETERS	
CHKR		FIRST USED	
P.E.		09 231N	
M.E.		UNSPECIFIED TOLERANCES ARE:	
DSNR		MATERIAL:	
		WHOLE DIM (X)	: 3
		ONE-PLACE (X.X)	: 1.5
		TWO-PLACE (X.XX)	: 0.50
		ANGLE	: 1°
THIRD ANGLE PROJECTION		DO NOT SCALE DRAWING	
TITLE:		DRAINAGE SYSTEM INSTL	
SHEET 1 OF 3	PART NO	169040	
REF:	1 1/6/2010		

FOR
DRAINAGE
CALLOUTS
SEE DWG NO
116229-01-000

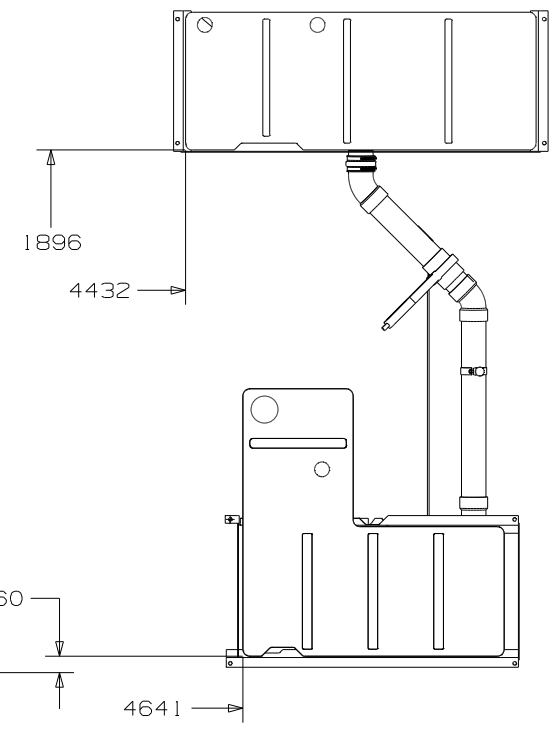
NOTES:



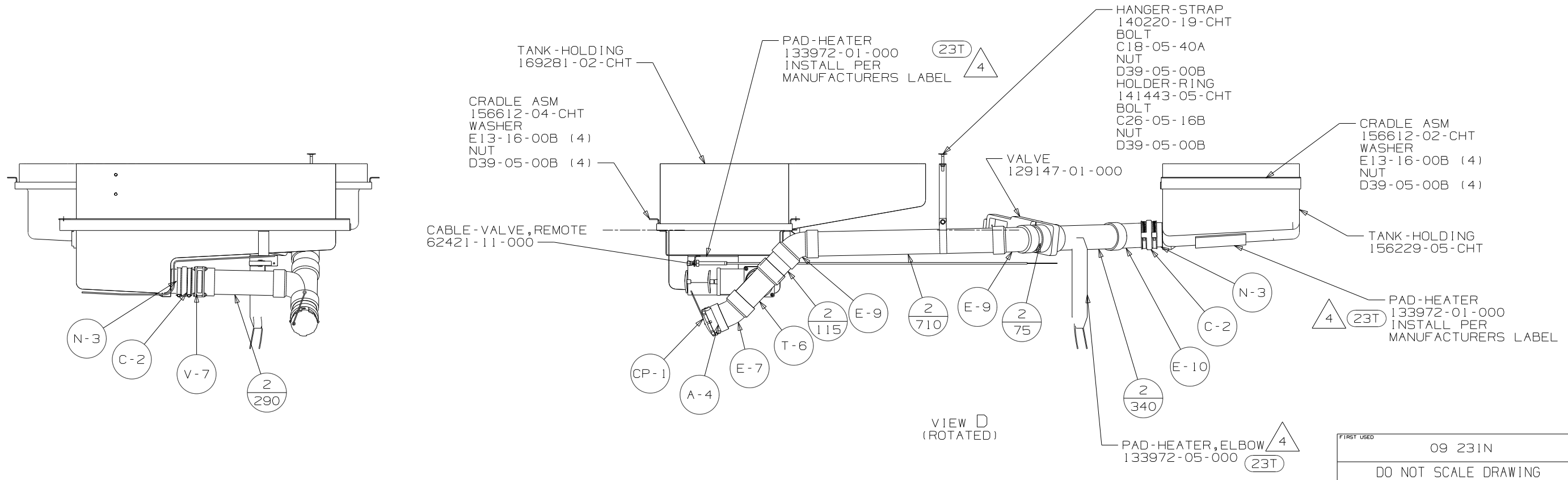
FIRST USED	09 231N	
TITLE	DO NOT SCALE DRAWING	
	DRAINAGE SYSTEM INSTL	
SHEET 2	PART NO	169040
	REV	



1222



DATUM
TOP VIEW (SHOWN W/FLOOR)

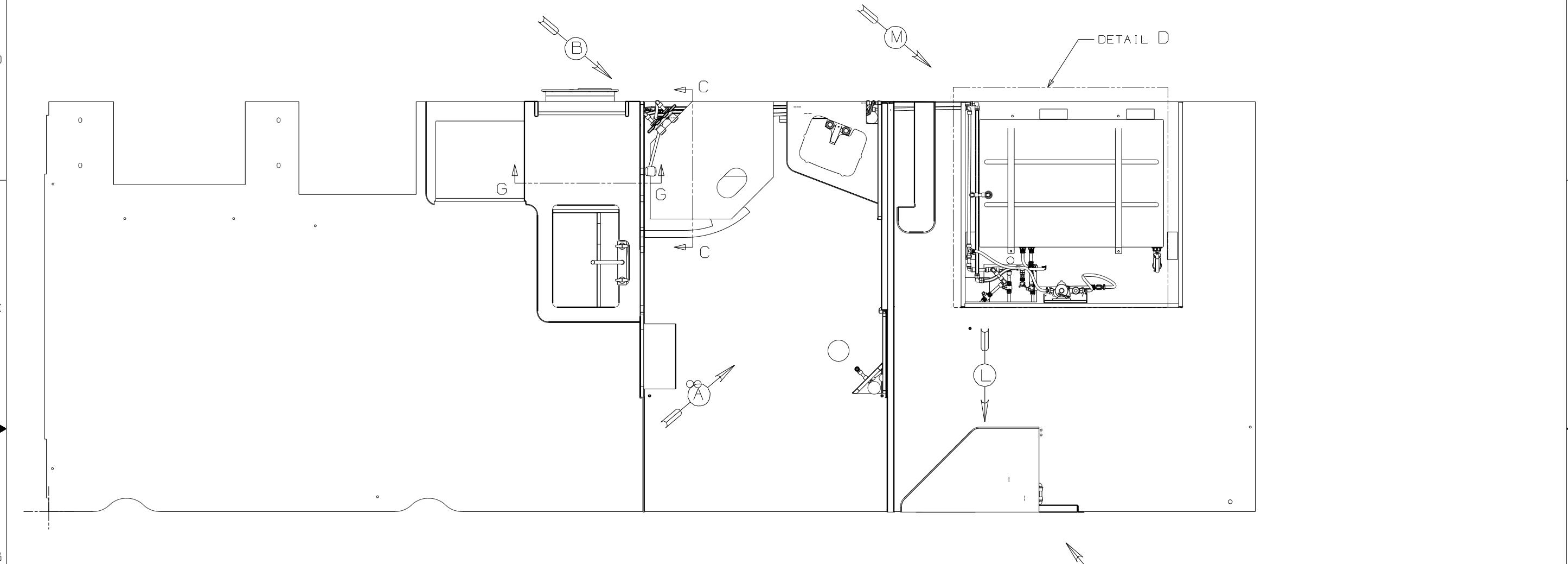


VIEW D (ROTATED)

FIRST USED	09 231N	
TITLE	DO NOT SCALE DRAWING	
	DRAINAGE SYSTEM INSTL	
SHEET 3	PART NO 169040	REV

DWG NO	FAUCET	FAUCET-LAV
169046-01	140117-02-CHT	148886-01-CHT
169046-02	140117-03-CHT	148886-03-CHT

RELEASE	REV DATE	DWG NO	169046
REV ZONE	REVISION RECORD	DATE	DFT:ORIG



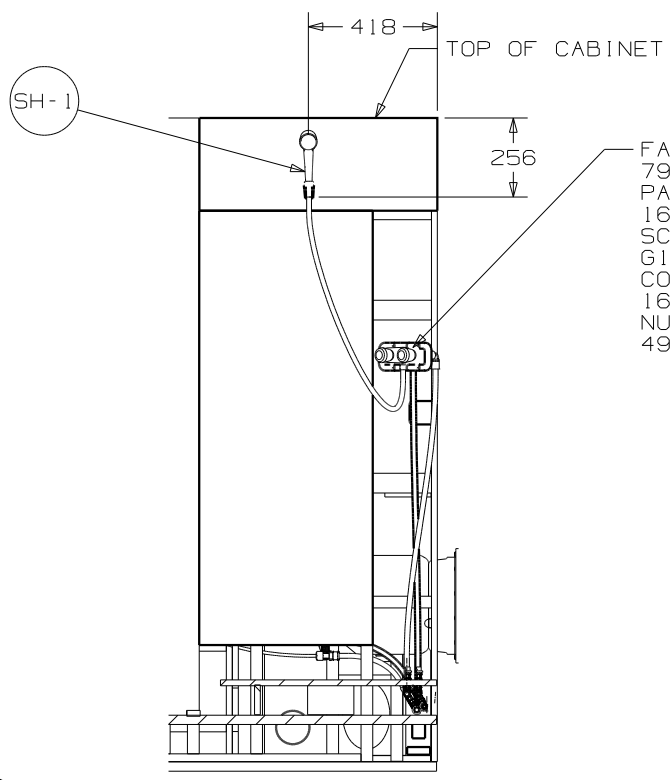
- 64R EXTERIOR WASH STATION
- 53B WTR HTR-6GAL ELECTRIC/LP GAS
- 53F WATER HEATER-ELEC. IGNITION
- 53E WATER SYS WINTERIZATION PKG

- 8 USE WHEN NOT USING 53E OPTION.
 - 7 ADD PIPE WRAP (LADDER SCRAP 110157-02-000) INSULATION. OR USE CARPET PAD (SCRAP) 075233-06-000.
 - 6 ADD TEFLON TAPE 10405-03-000.
 - 5 ADD TEFLON TAPE 10405-02-000.
 - 4 ADD TEFLON TAPE 10405-01-000.
3. ALL TUBING TO BE SECURED AT 1200 INTERVALS MAXIMUM WITH CLAMP 10495-01-000 AND SCREW G67-10-12B OR EQUIVALENT.
 2. TUBING TO BE INSTALLED WITH SUFFICIENT SLOPE TO PROVIDE DRAINAGE TO NEAREST VALVE.
 1. PLASTIC FITTINGS TO BE SEALED WITH SEALANT 84456-01-000.

NOTES:

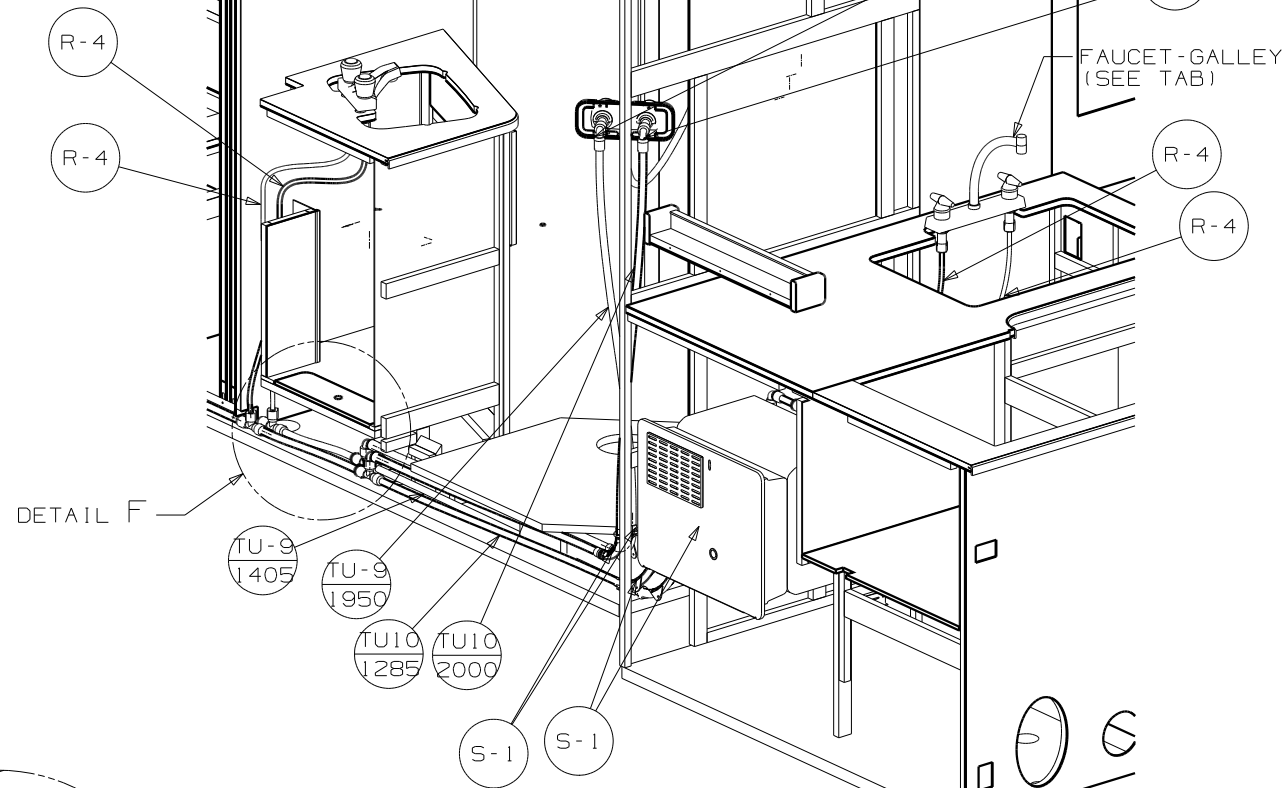
WINNEBAGO		COPYRIGHT 2010 WINNEBAGO INDUSTRIES, INC.	
DFT:R	ORIG. DATE	ALL DIMENSIONS ARE IN MILLIMETERS	
CHKR		FIRST USED	
P.E.		09 23IN	
M.E.		UNSPECIFIED TOLERANCES ARE:	
DSNR		WHOLE DIM (X) : 3	
		ONE-PLACE (X.X) : 1.5	
		TWO-PLACE (X.XX) : 0.50	
		ANGLE : 1°	
THIRD ANGLE PROJECTION		MATERIAL:	
DO NOT SCALE DRAWING		REFER TO ES0018 FOR FASTENER TIGHTENING GUIDELINES	
TITLE: WATER SYSTEM INSTL			
SHEET 1 OF 5		PART NO	169046
REF:		REV	

FOR
WATER
CALLOUTS
SEE DWG NO
116230-01-000



- FAUCET - SHOWER
79563-03-CHT
- PANEL - SHOWER
167738-01-CHT
- SCREW
G11-08-12U (4)
- COVER
166569-01-CHT (4)
- NUT - SPEED-U
4921-05-000 (4)

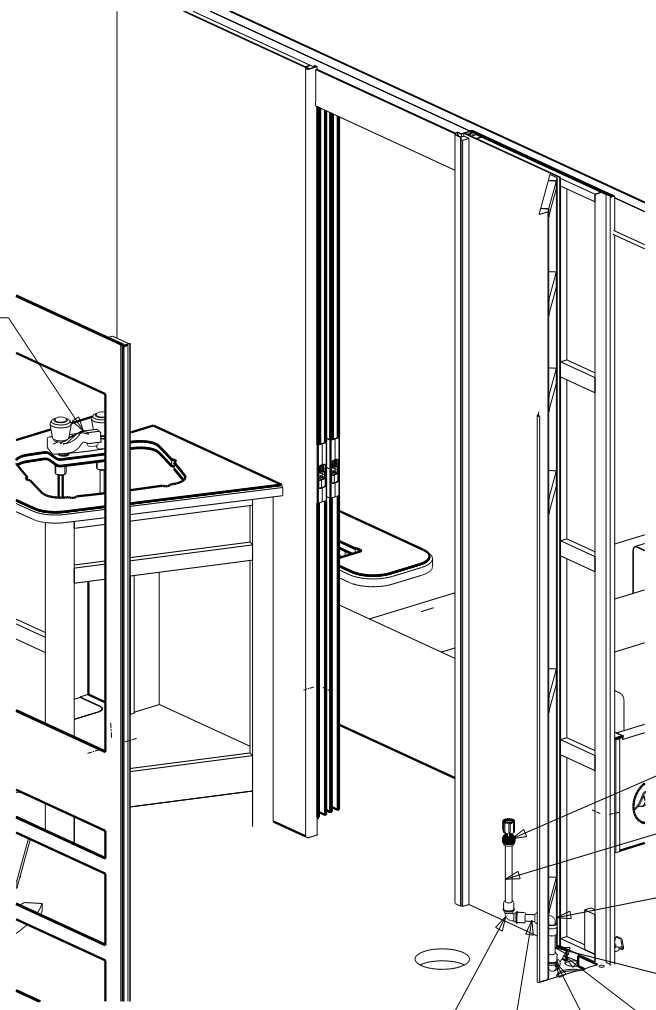
SECTION C-C
(ROTATED)



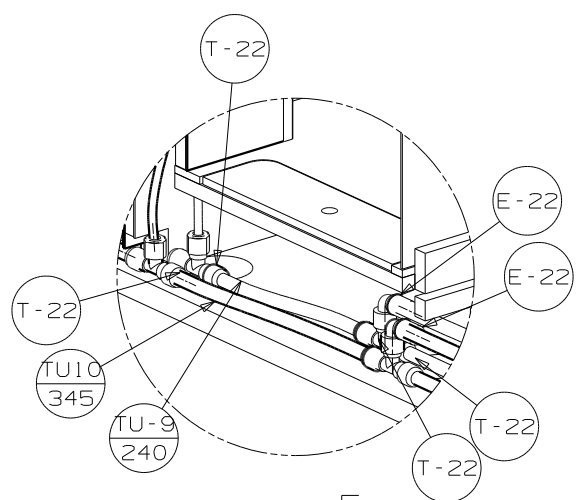
DETAIL F

VIEW B

- FAUCET - LAV
(SEE TAB)
- GASKET
91253-01-000

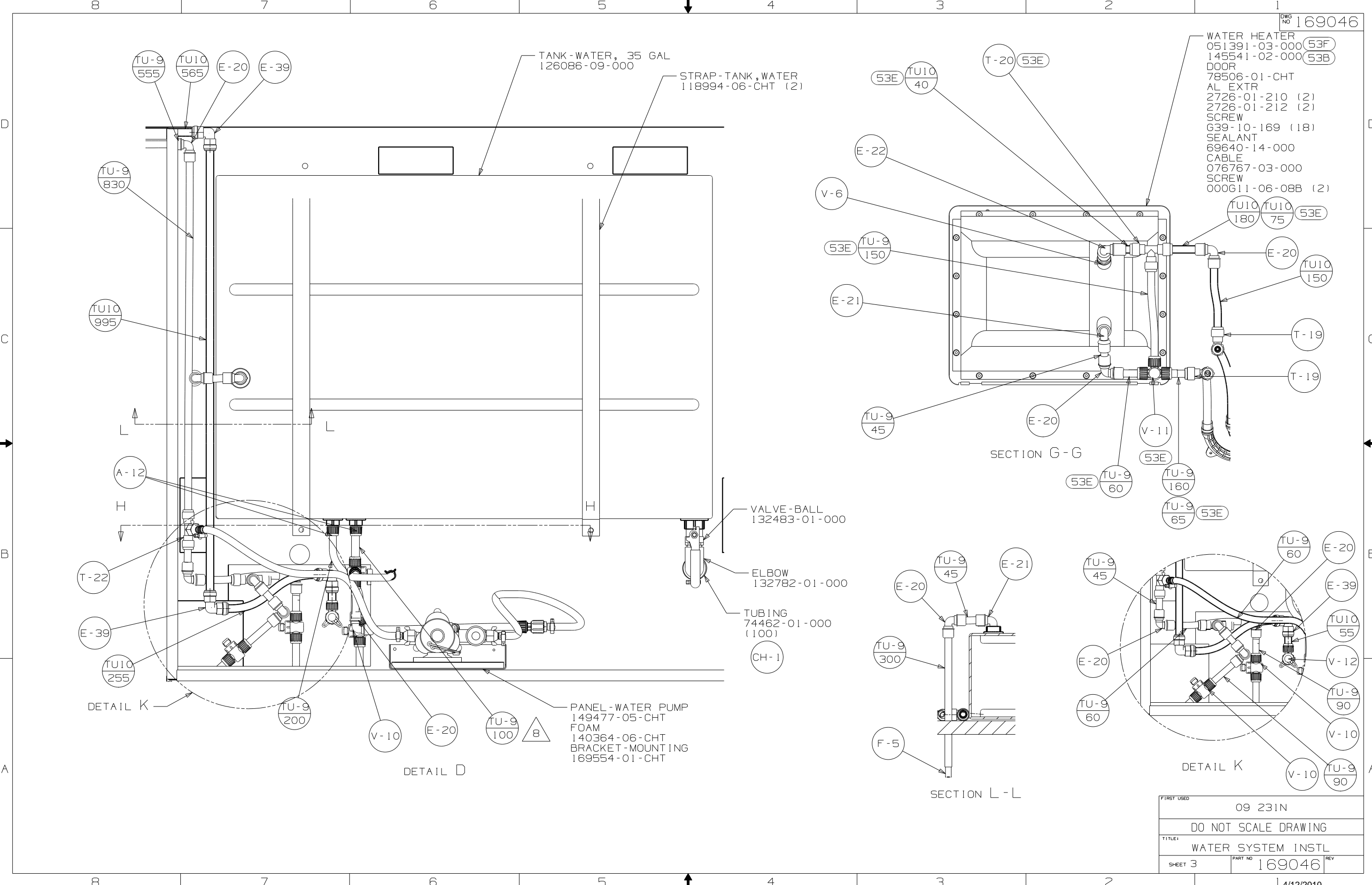


VIEW A



DETAIL F

FIRST USED	09 231N
DO NOT SCALE DRAWING	
TITLE:	WATER SYSTEM INSTL
SHEET 2	PART NO 169046 REV



TANK - WATER, 35 GAL
126086-09-000

STRAP - TANK, WATER
118994-06-CHT (2)

WATER HEATER
051391-03-000 (53F)
145541-02-000 (53B)
DOOR
78506-01-CHT
AL EXTR
2726-01-210 (2)
2726-01-212 (2)
SCREW
G39-10-169 (18)
SEALANT
69640-14-000
CABLE
076767-03-000
SCREW
000G11-06-08B (2)

VALVE - BALL
132483-01-000

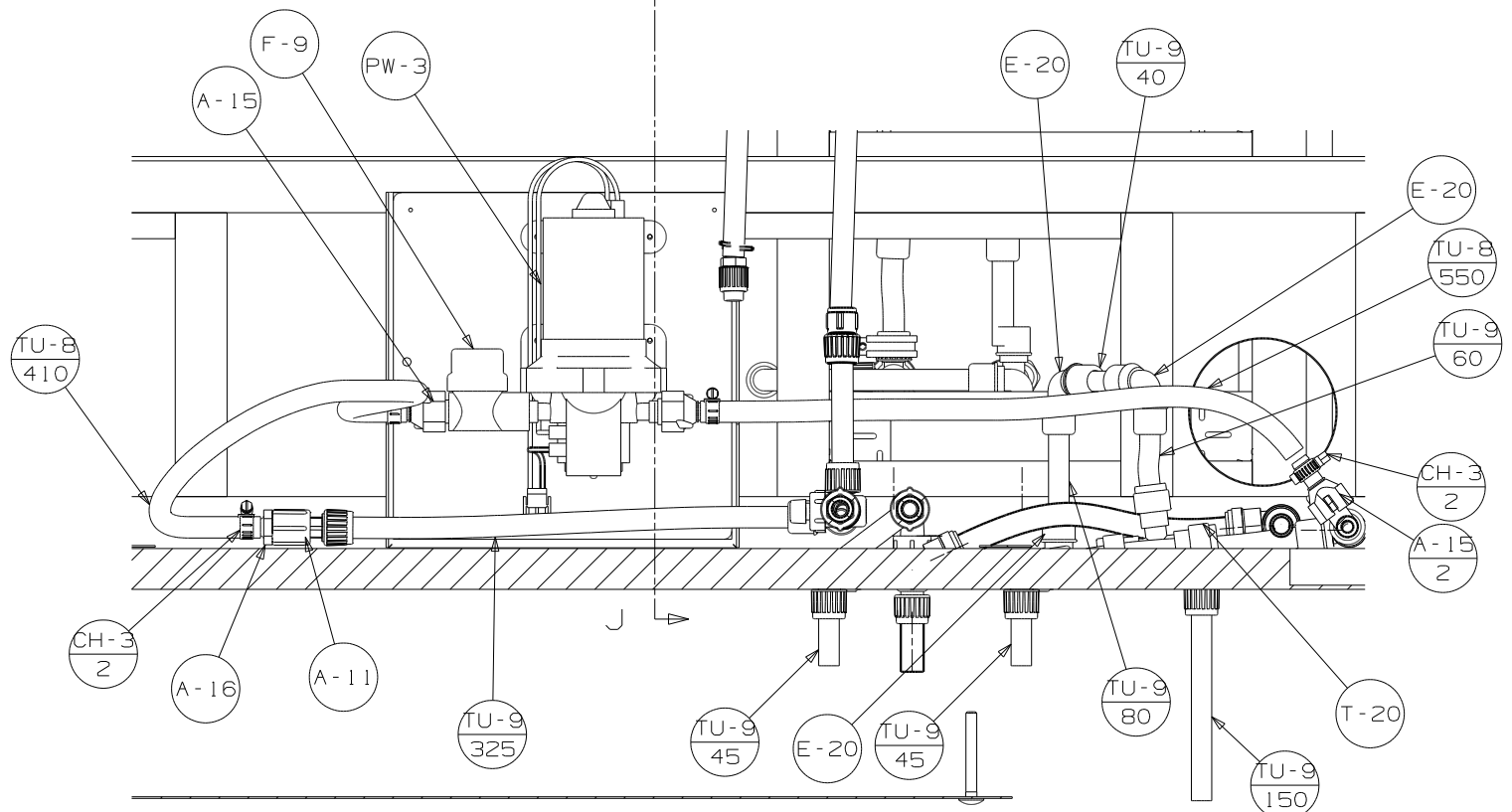
ELBOW
132782-01-000

TUBING
74462-01-000
(100)

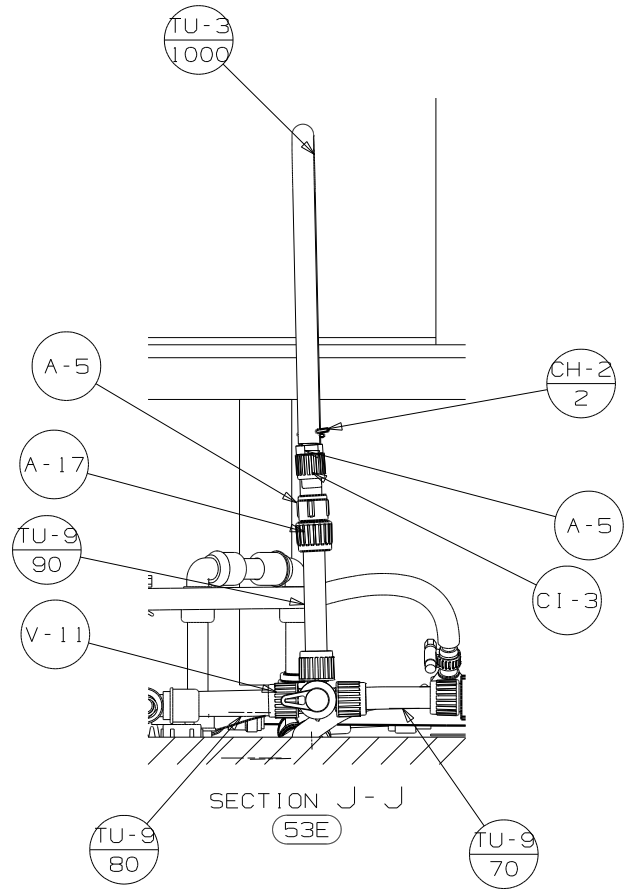
CH-1

PANEL - WATER PUMP
149477-05-CHT
FOAM
140364-06-CHT
BRACKET - MOUNTING
169554-01-CHT

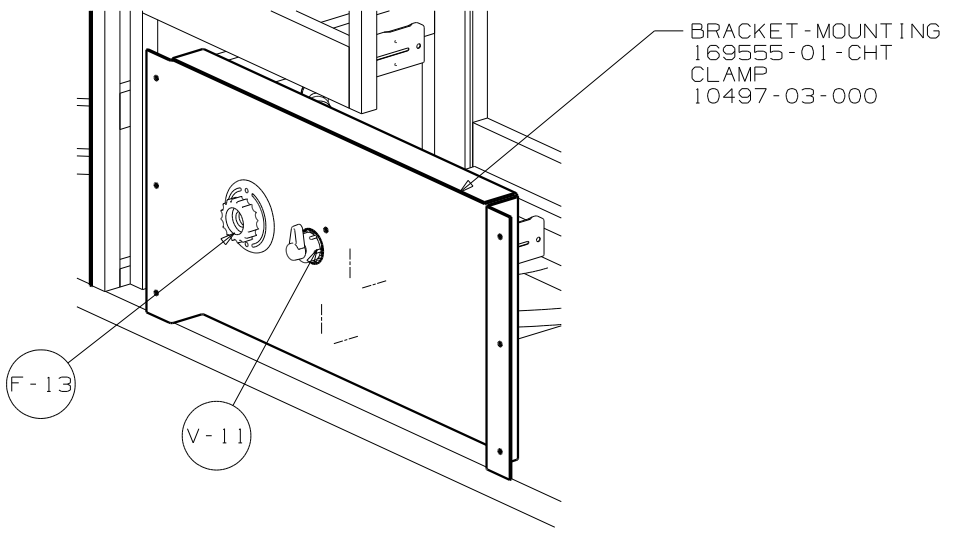
FIRST USED	09 231N
TITLE	DO NOT SCALE DRAWING
TITLE	WATER SYSTEM INSTL
SHEET 3	PART NO 169046 REV



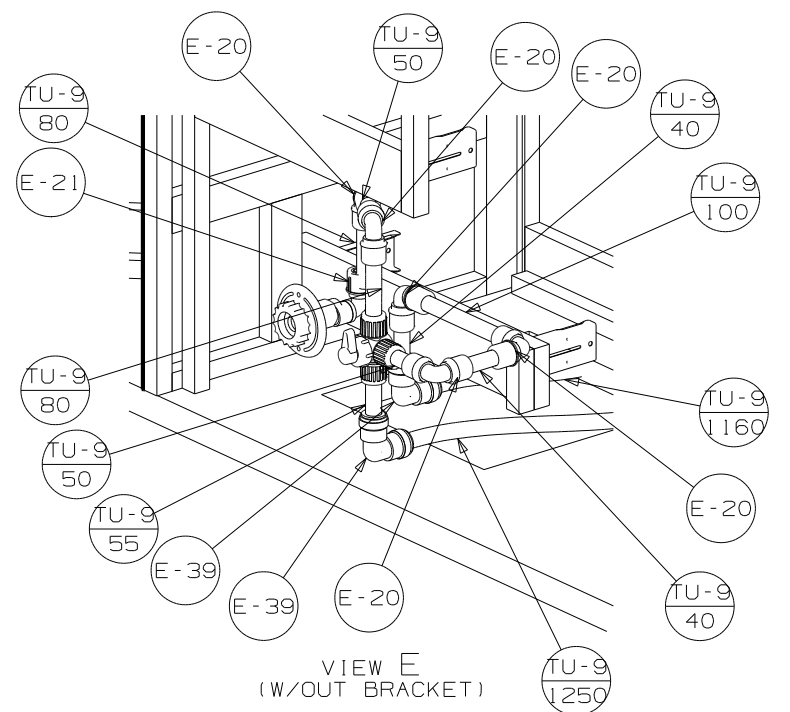
SECTION H-H
(ROTATED)



SECTION J-J
(53E)



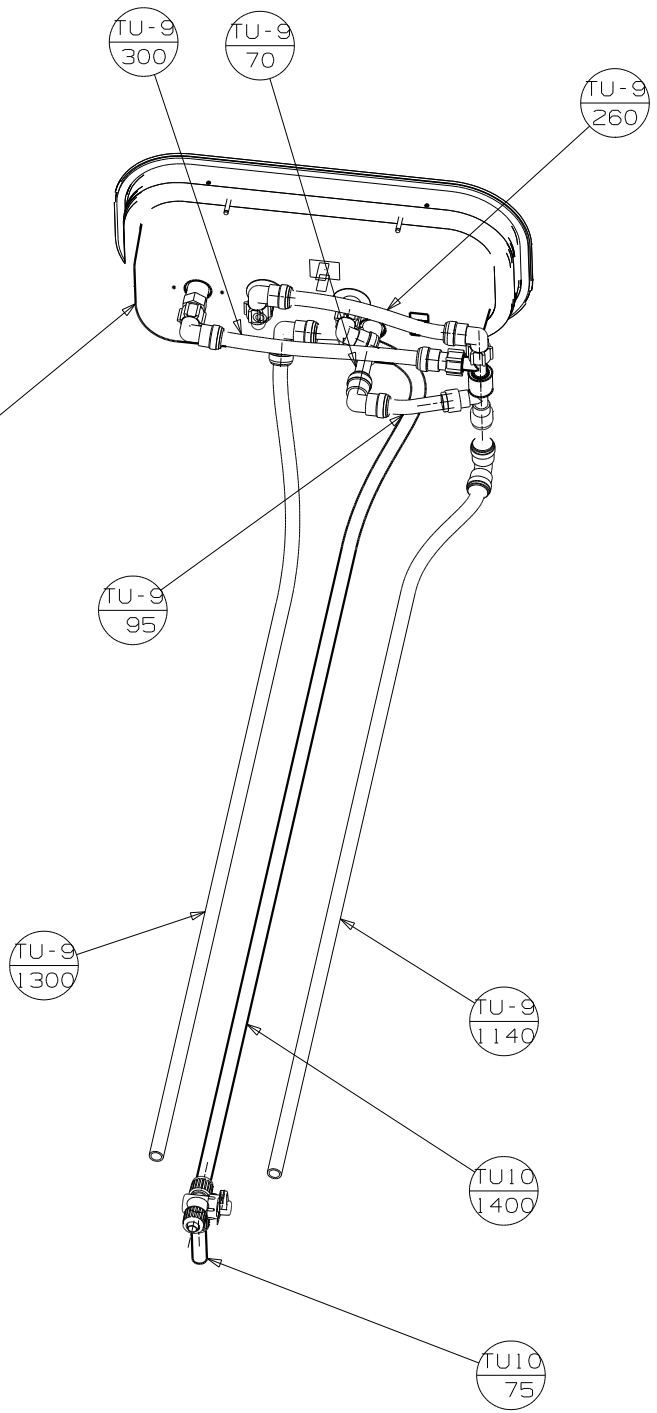
VIEW E



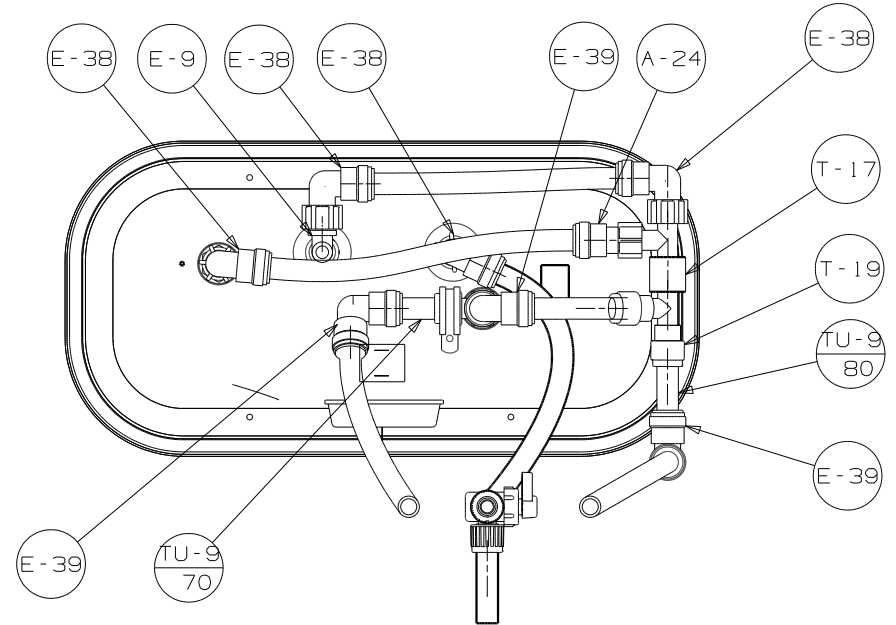
VIEW E
(W/OUT BRACKET)

FIRST USED	09 231N
TITLE	DO NOT SCALE DRAWING
TITLE	WATER SYSTEM INSTL
SHEET 4	PART NO 169046 REV

COMPARTMENT ASM
155264-04-XXX



VIEW M
64R



VIEW L
64R

FIRST USED	09 231N		
TITLE	DO NOT SCALE DRAWING		
	WATER SYSTEM INSTL		
SHEET 5	PART NO	169046	REV