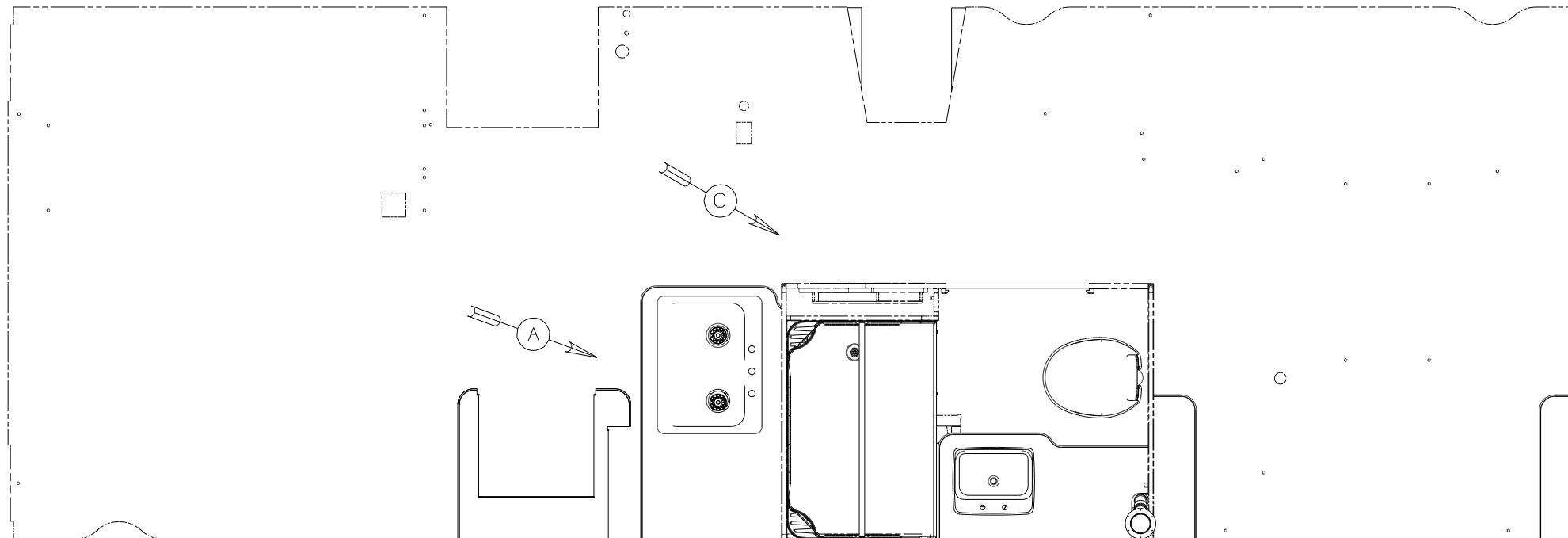


DWG NO	SHOWR INSTL	VIEW
168481-01	147874-04-000	F
168481-02	164684-07-000	G

RELEASE	REV DATE	DWG NO	168481
REV ZONE	REVISION RECORD	DATE	DFTR-ORIG



- (464) TOILET
- (1B1) CODES/STANDARDS USA
- (265) CODES/STANDARDS-CSA/CMVSS
- (23T) DRAINAGE SYSTEM-HEATED
- (644) GREAT ALASKAN RENTALS

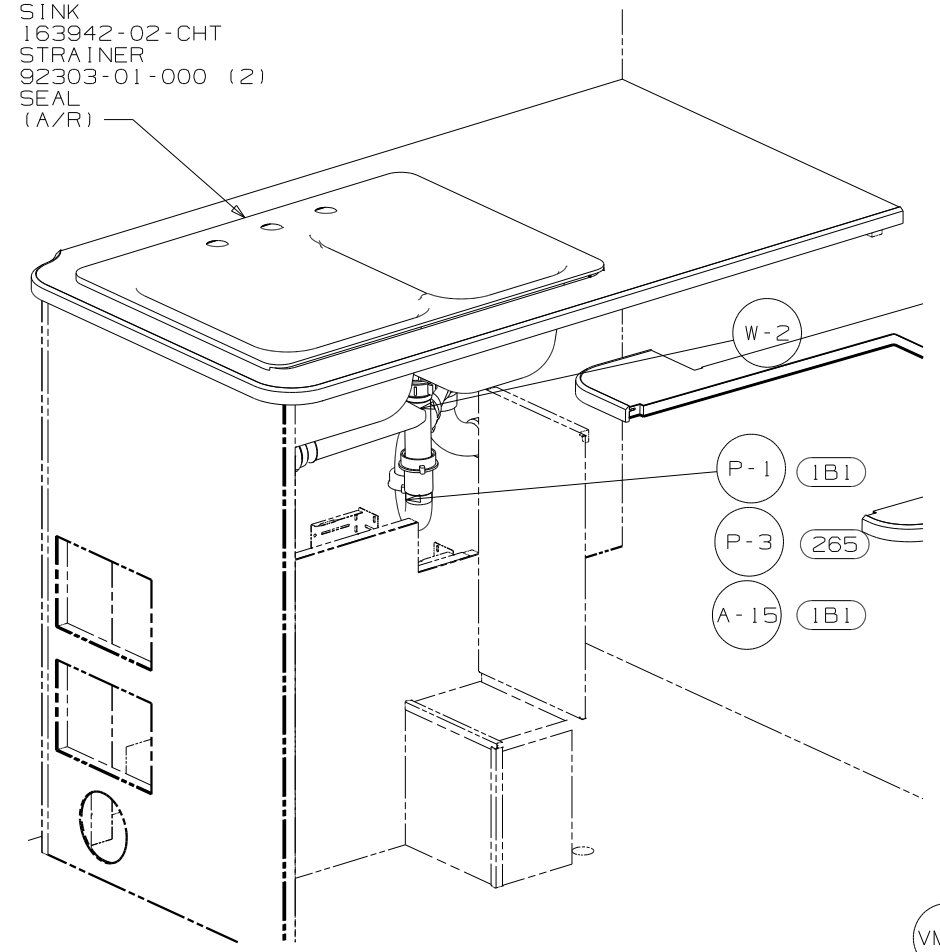
- 8 SECURE PIPES TO CABINET USING WIRE TIE 108046-02-000 AND SCREW G67-10-12B.
- 7 SECURE VENT TUBES TO FLOOR WITH CLAMP 62401-02-000 (2), SCREW G67-10-12B (2), AND BRACKET 136878-01-CHT (2).
- 6 VENT PIPE MUST PROJECT 51 MIN AND 64 MAX ABOVE ROOF FOR PROPER FIT AND FUNCTION.
5. SEAL AROUND SHOWER WITH SILICONE.
4. SEE WIRING INSTL-BODY, 12V FOR ELECTRICAL CONNECTION.
3. ALL PIPE AND FITTINGS TO BE ASSEMBLED WITH SOLVENT 4020-01-000 (USA), 4020-02-000 (CAN)
2. SLOPE OF TRAP ARM MUST BE 6 PER 305 mm.
1. SLOPE OF HORIZONTAL PIPING TO BE MIN 3 PER 305 mm.

NOTES:

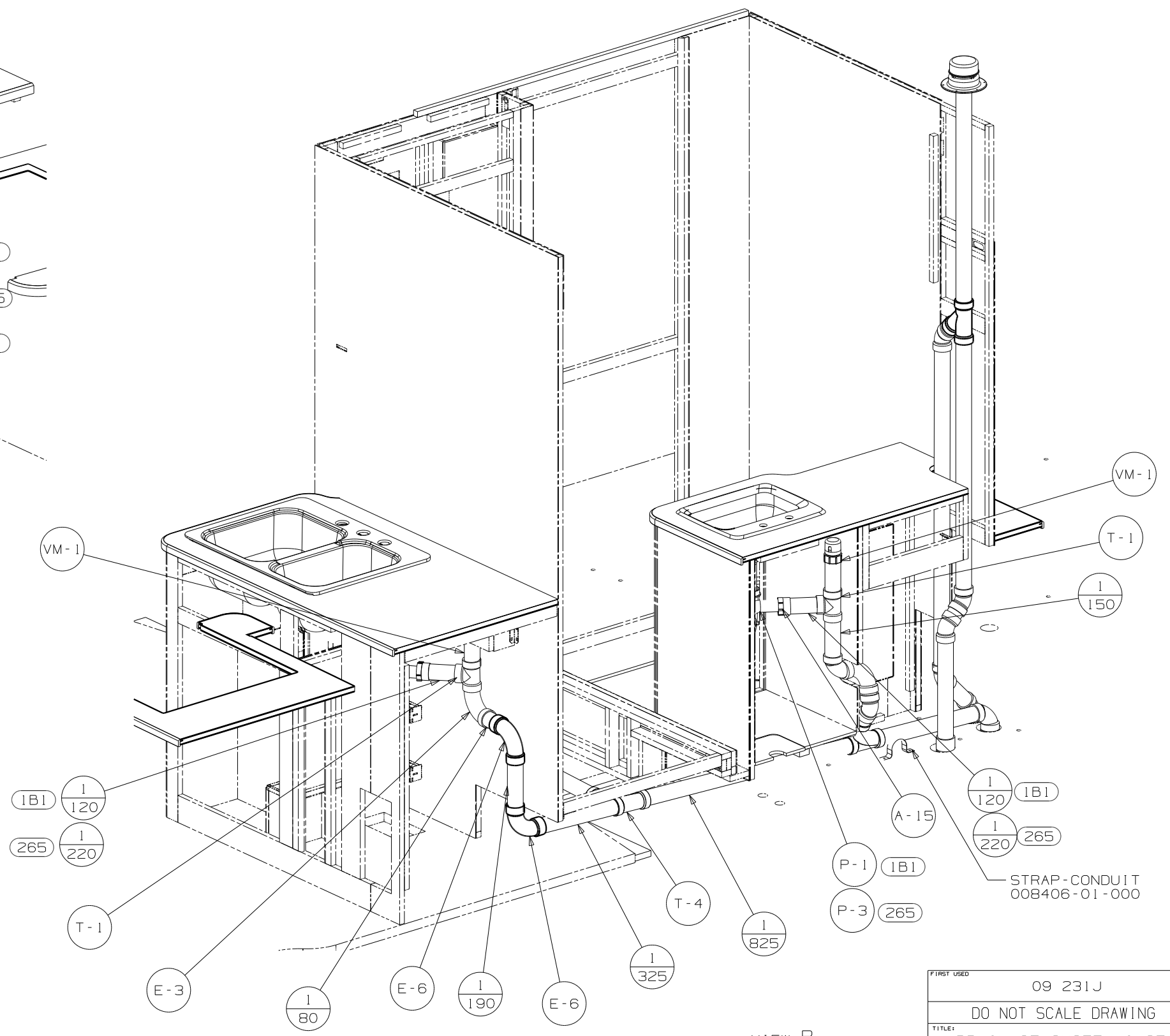
<b>WINNEBAGO</b>		COPYRIGHT 2010 WINNEBAGO INDUSTRIES, INC.	
DFTR	ORIG. DATE	ALL DIMENSIONS ARE IN MILLIMETERS	
CHKR		FIRST USED	
P.E.		09 231J	
M.E.		UNSPECIFIED TOLERANCES ARE:	
DSNR		WHOLE DIM (X) :	3
		ONE-PLACE (X.X) :	1.5
		TWO-PLACE (X.XX) :	0.50
		ANGLE :	1°
THIRD ANGLE PROJECTION		MATERIAL:	
DO NOT SCALE DRAWING		REFER TO ES0018 FOR FASTENER TIGHTENING GUIDELINES	
TITLE: DRAINAGE SYSTEM INSTL			
SHEET 1 OF 6	PART NO	168481	REV

(X-X)	FOR DRAINAGE CALLOUTS SEE DWG NO 116229-01-000
-------	--

SINK  
163942-02-CHT  
STRAINER  
92303-01-000 (2)  
SEAL  
(A/R)



VIEW A



VIEW B

FIRST USED	09 231J
DO NOT SCALE DRAWING	
TITLE	DRAINAGE SYSTEM INSTL
SHEET 2	PART NO 168481 REV

- 464 TOILET-AM-5  
147421-04-CHT
- 644 TOILET-STYLE II W/O SPRAYER  
160815-03-CHT  
SCREW  
87721-01-000 (6)

- SINK-LAVATORY  
96927-01-CHT  
SEAL  
91255-02-000 (A/R)

- STRAINER  
66440-01-000
- SEALER  
69640-01-000
- WASHER-RUBBER  
127440-02-CHT
- NUT  
130403-01-000
- TAILPIECE  
11069-06-000

- F-6
- G-2
- N-3

- P-1 (1B1)
- P-3 (265)
- A-15 (1B1)
- 1/4 (1B1)
- 1/2 (265)

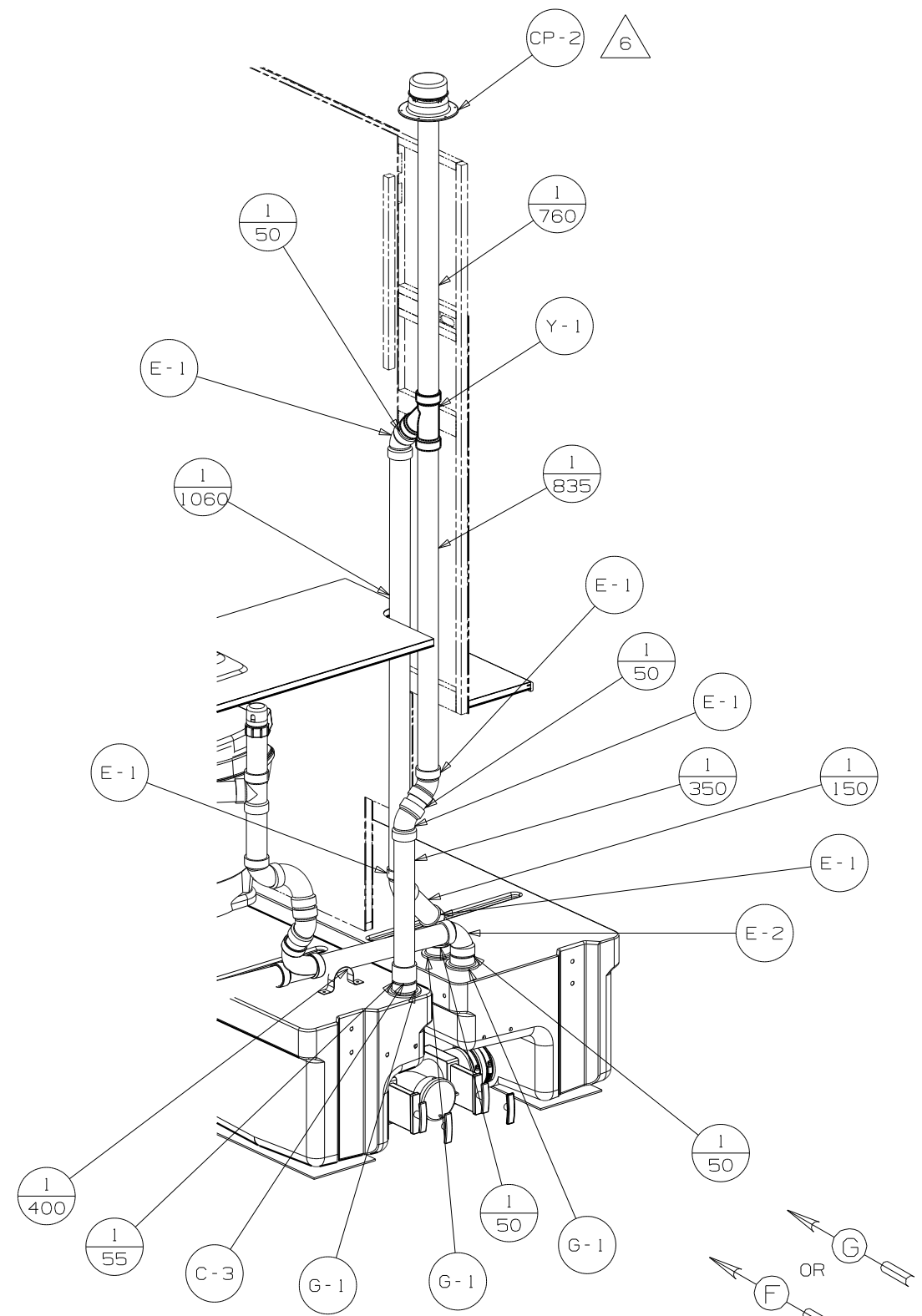
VIEW C

SHOWER INSTL-ENCLOSURE  
(SEE TAB)

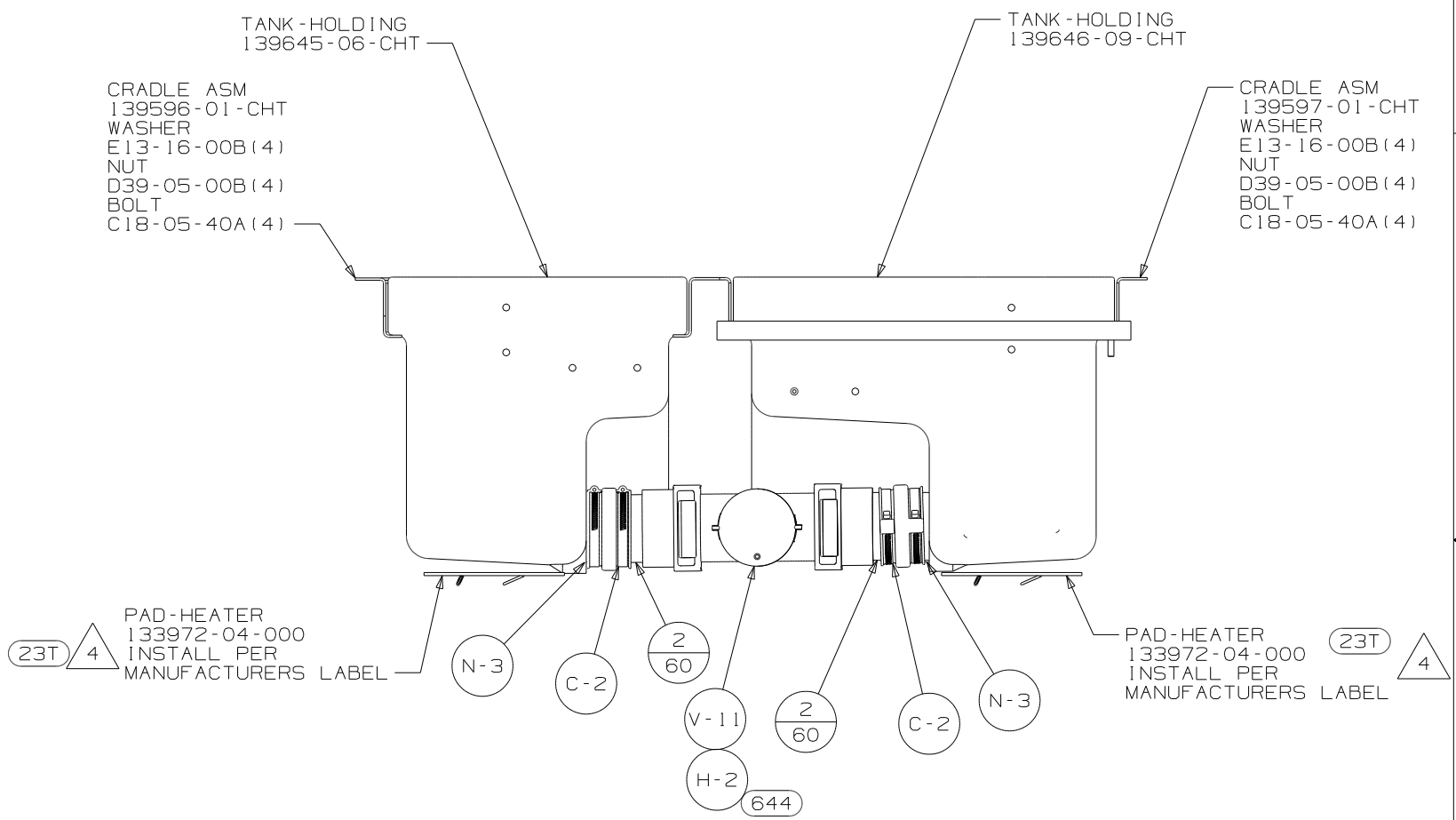
- E-2
- E-3
- 1/4 (1B1)
- 1/2 (265)
- E-1
- 1/2 (265)
- T-4

VIEW D

FIRST USED	09 231J	
TITLE	DO NOT SCALE DRAWING	
	DRAINAGE SYSTEM INSTL	
SHEET 3	PART NO 168481	REV

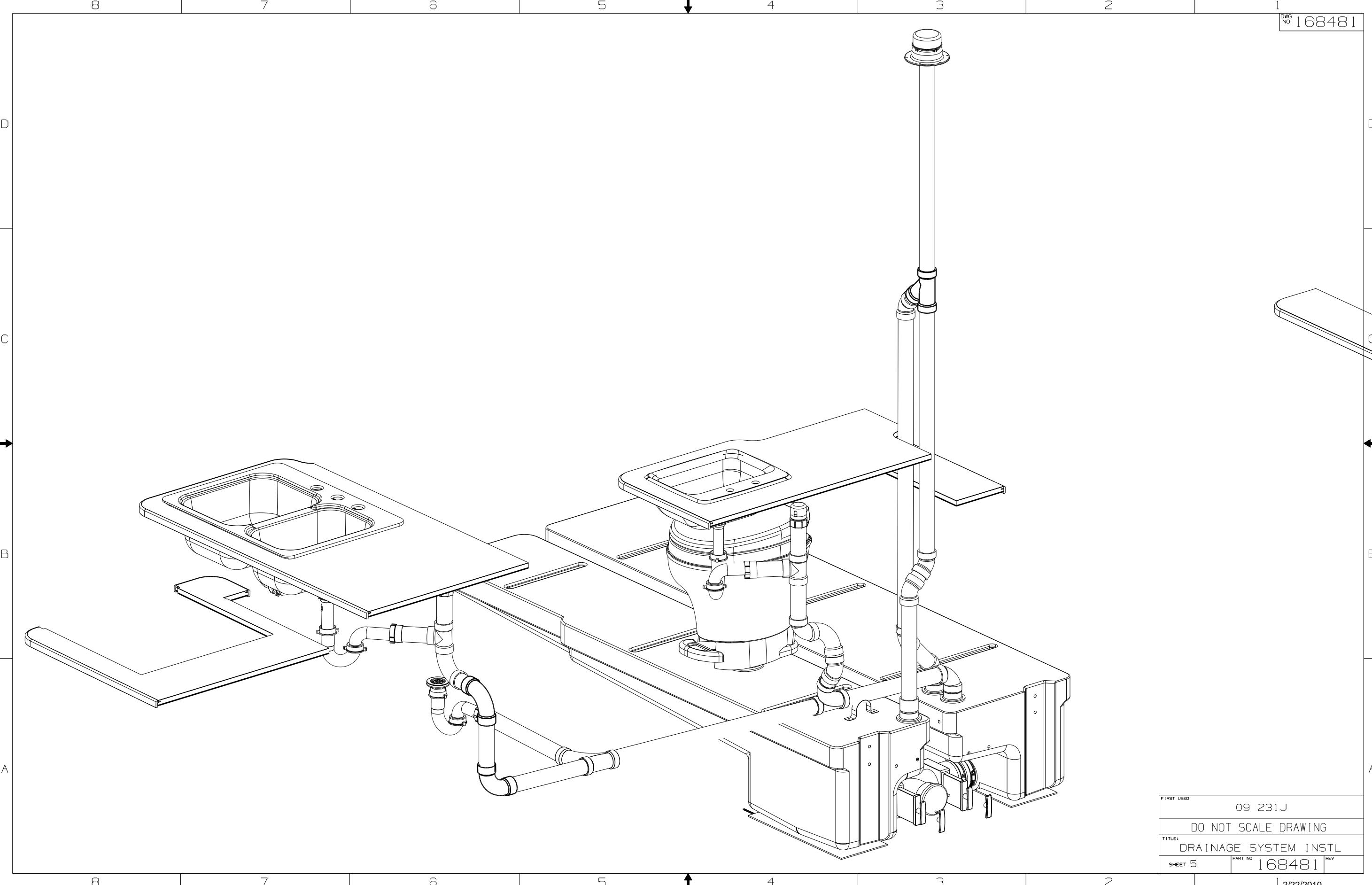


VIEW E  
(WITHOUT FLOOR)

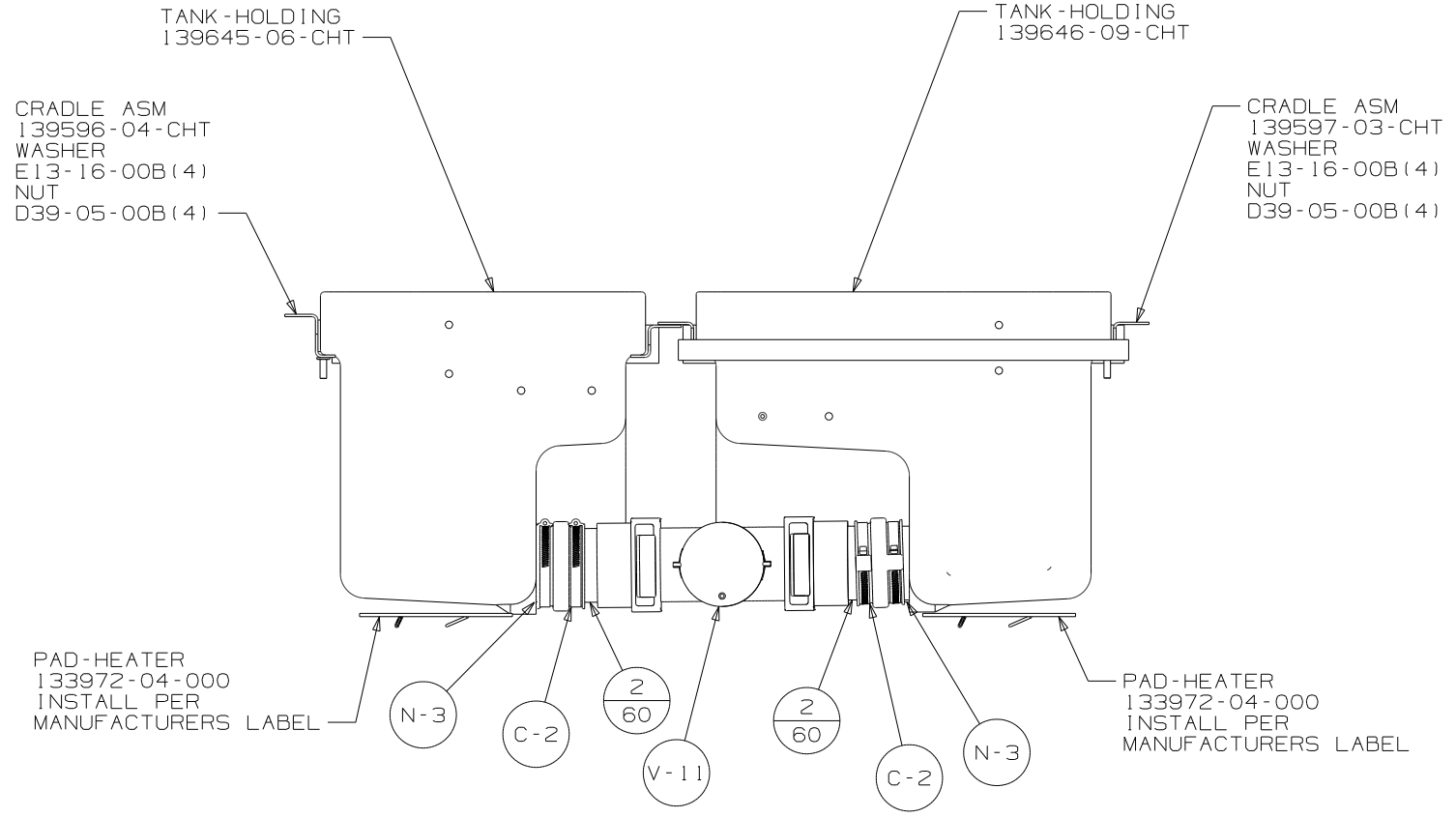


VIEW F

FIRST USED	09 231J		
TITLE	DO NOT SCALE DRAWING		
TITLE	DRAINAGE SYSTEM INSTL		
SHEET 4	PART NO	168481	REV



FIRST USED	09 231J	
TITLE	DO NOT SCALE DRAWING	
	DRAINAGE SYSTEM INSTL	
SHEET 5	PART NO 168481	REV

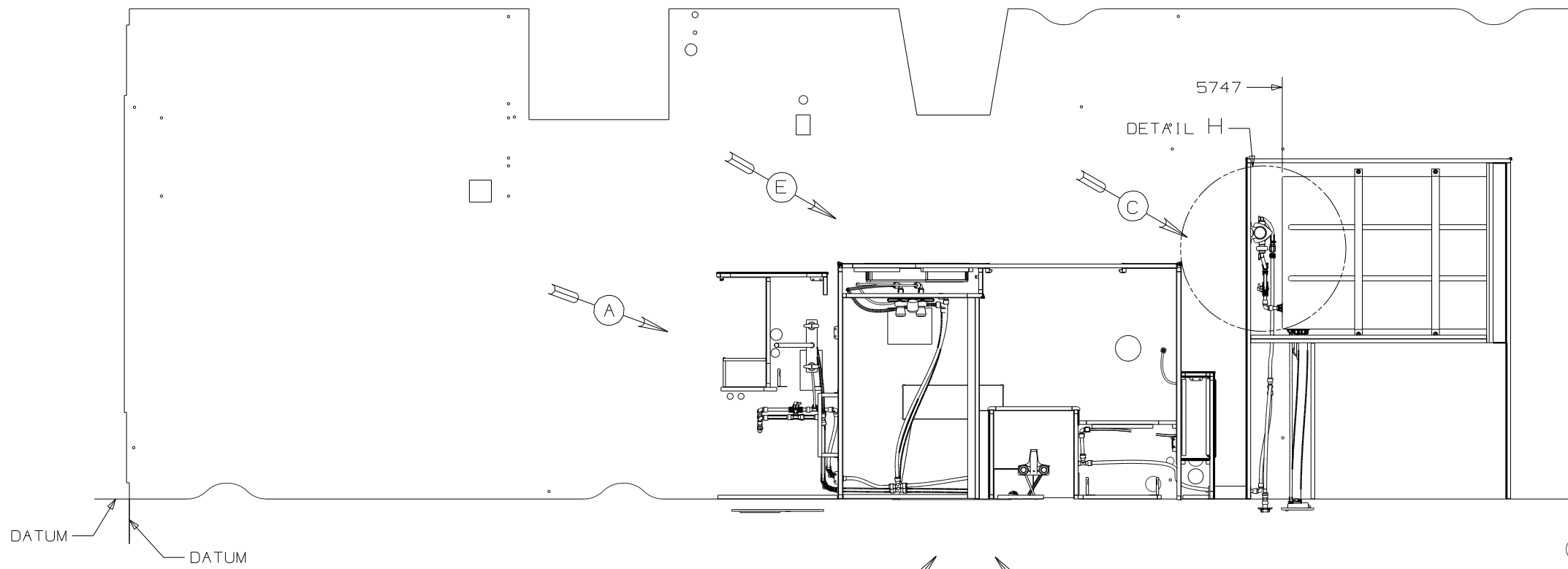


VIEW G

FIRST USED	09 231J	
TITLE	DO NOT SCALE DRAWING	
	DRAINAGE SYSTEM INSTL	
SHEET 6	PART NO 168481	REV

DWG NO	FAUCET	FAUCET-LAV
168484-01	140117-02	148886-01
168484-02	140017-03	148886-03

RELEASE	REV DATE	DWG NO	168484
REV ZONE	REVISION RECORD	DATE	DFTR-ORIG

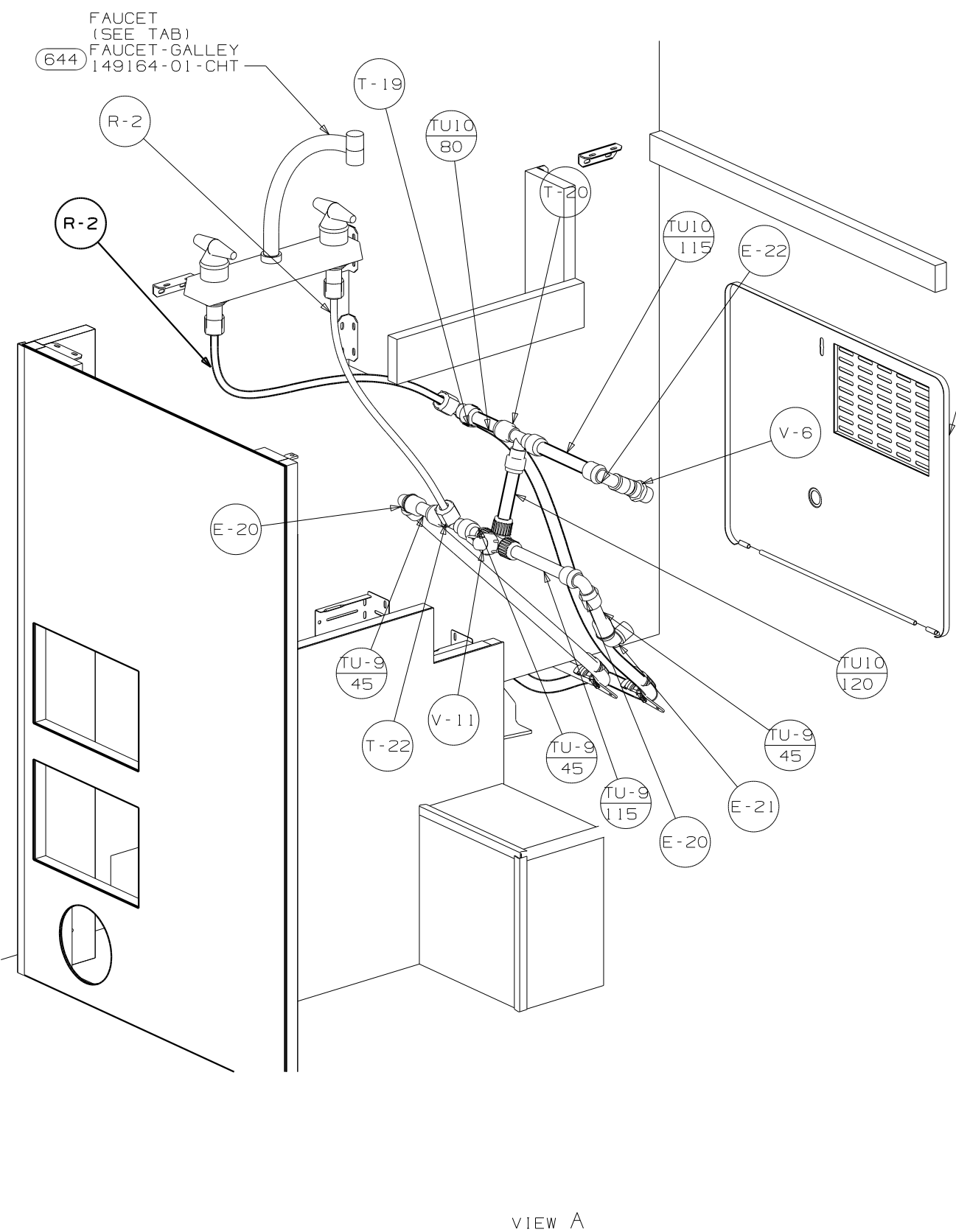


- 11 ATTACH WASHER PLASTIC 87080-13-000 W/TAPE DOUBLE 123816-03 ON BOTTOM SIDE OF FLOOR.
- 10 ATTACH WASHER PLASTIC 87080-11-CHT W/TAPE-DOUBLE 123816-03 ON BOTTOM SIDE OF COMPARTMENT.
- 9 LABEL THE HOT AND COLD SUPPLY RISER TUBE AND TAPE FITTING TO TUBES BEFORE CABINET SET TO PREVENT MOVEMENT.
- 8 NOT REQUIRED W/644 FEATURE.
- 7 ADD PIPE WRAP (LADDER SCRAP 110157-02-000) INSULATION OR USE CARPET (SCRAP) 75233-06.
- 6 ADD TEFLON TAPE 10405-03-000.
- 5 ADD TEFLON TAPE 10405-02-000.
- 4 ADD TEFLON TAPE 10405-01-000.
- 3. ALL TUBING TO BE SECURED AT 1200 INTERVALS MAXIMUM WITH CLAMP 10495-01-000 AND SCREW G67-10-12B OR EQUIVALENT.
- 2. TUBING TO BE INSTALLED WITH SUFFICIENT SLOPE TO PROVIDE DRAINAGE TO NEAREST VALVE.
- 1. PLASTIC FITTINGS TO BE SEALED WITH SEALANT 84456-01-000.

- 1J4 EXTERIOR WASH STATION WITHOUT
- 64R EXTERIOR WASH STATION
- 08P INTERIOR UPGRADE - WITHOUT
- 644 GREAT ALASKAN RENTAL PACKAGE
- 53F WATER HEATER-ELEC. IGNITION
- 53E WATER SYS WINTERIZATION PKG
- 53B WTR HTR-6GAL ELECTRIC/LP GAS

<b>WINNEBAGO</b>		COPYRIGHT 2010 WINNEBAGO INDUSTRIES, INC.	
DFTR	ORIG. DATE	ALL DIMENSIONS ARE IN MILLIMETERS	
CHKR		FIRST USED	
P.E.		09 231J	
M.E.		UNSPECIFIED TOLERANCES ARE:	
DSNR		WHOLE DIM (X) :	3
		ONE-PLACE (X.X) :	1.5
		TWO-PLACE (X.XX) :	0.50
		ANGLE :	1°
THIRD ANGLE PROJECTION		MATERIAL:	
DO NOT SCALE DRAWING		REFER TO E50018 FOR FASTENER TIGHTENING GUIDELINES	
TITLE: WATER SYSTEM INSTL			
SHEET 1 OF 6	PART NO	168484	REV

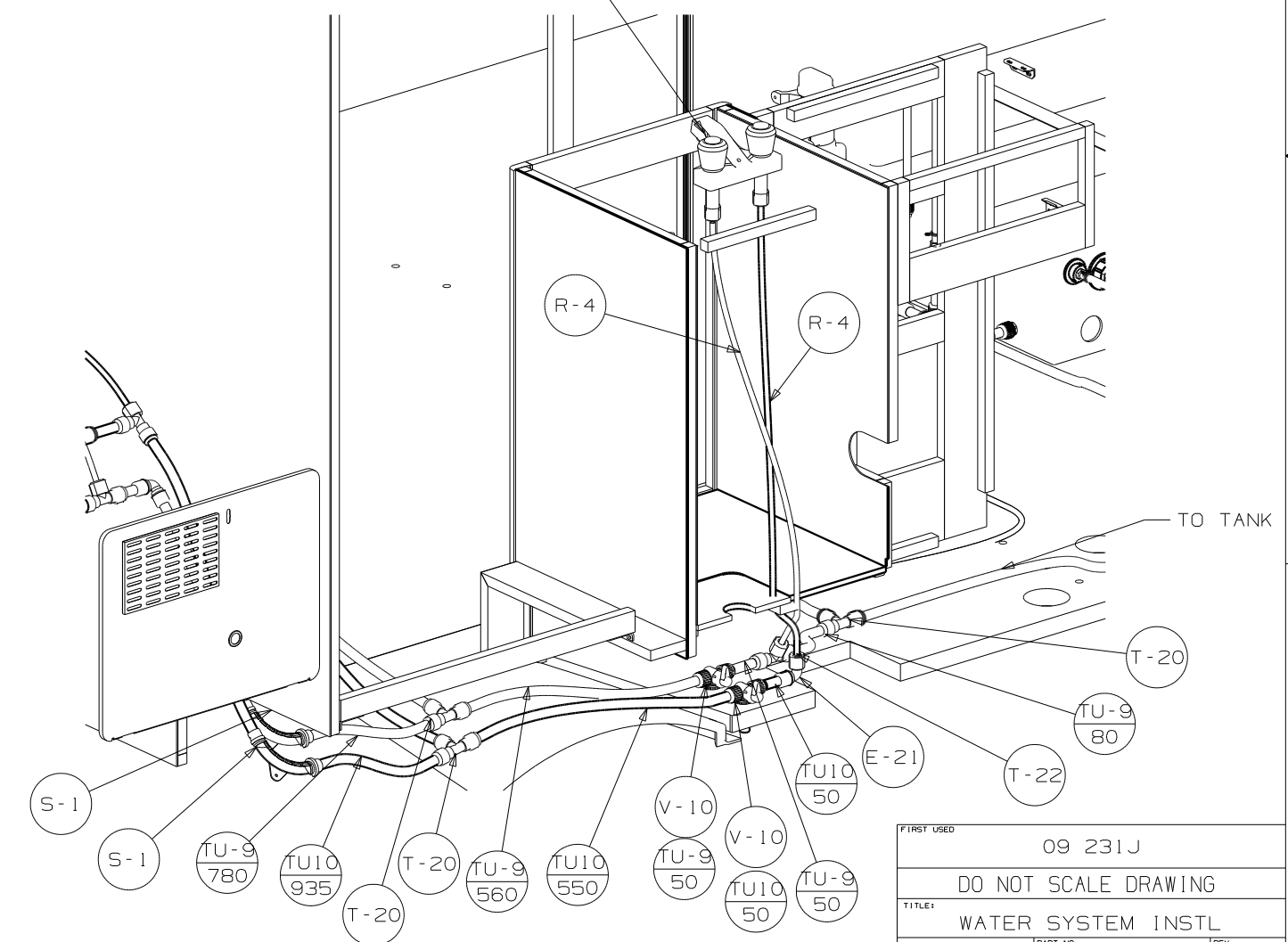
(X-X)  
FOR WATER CALLOUTS SEE DWG NO 116230-01-000



VIEW A

- WATER HEATER
- 51391-03-000 ← 53F
- 145541-02-000 ← 53B
- DOOR
- 125420-06-CHT
- AL EXTR
- 2726-01-210 (2)
- 2726-01-212 (2)
- SCREW
- G39-10-169 (18)
- SEALANT
- 69640-14-000
- CABLE
- 76767-03-000

- FAUCET-LAV
- (SEE TAB)
- 165730-01-CHT 644
- GASKET
- 91253-01-000



VIEW B

FIRST USED	09 231J
TITLE	DO NOT SCALE DRAWING
TITLE	WATER SYSTEM INSTL
SHEET 2	PART NO 168484 REV

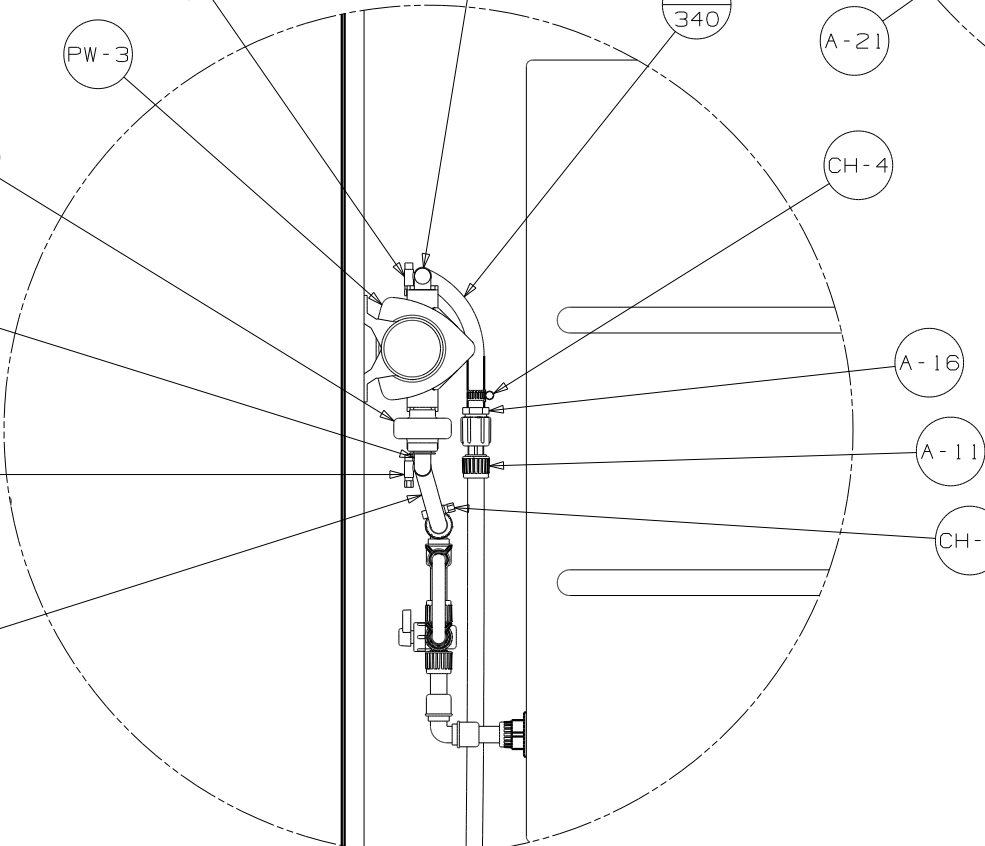
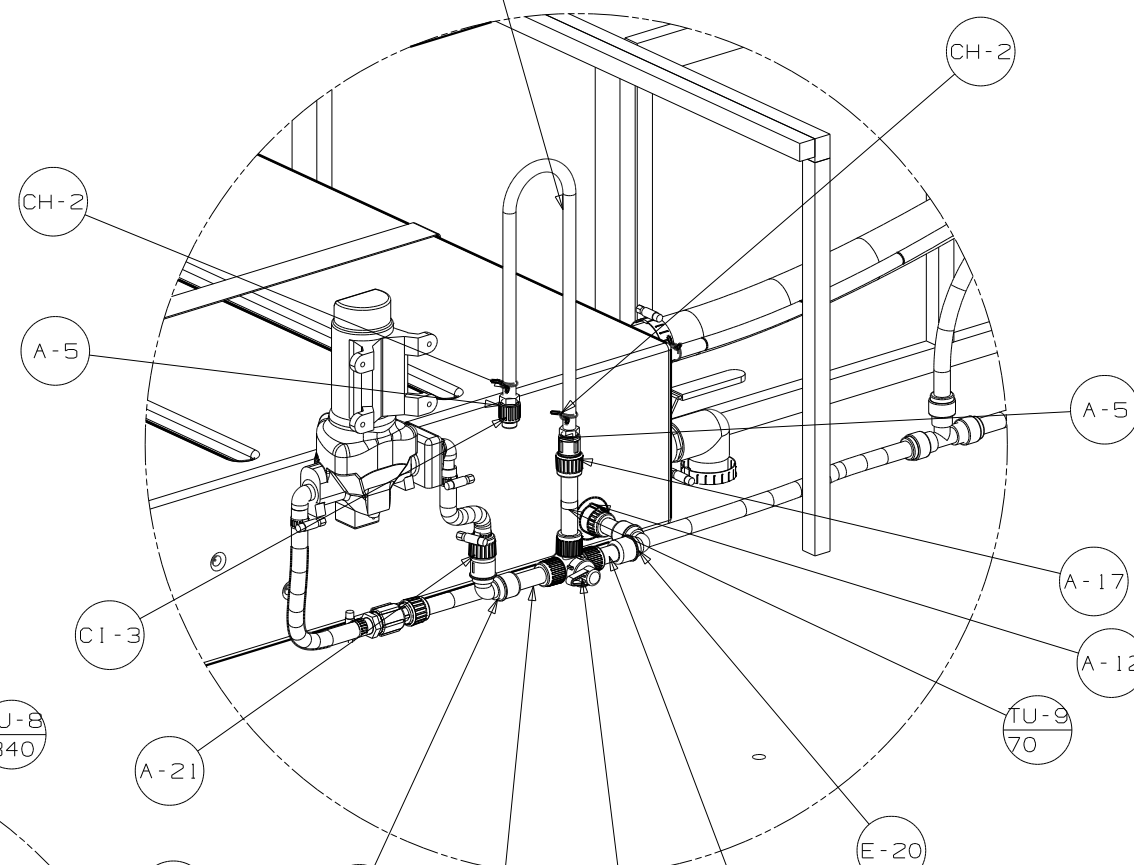
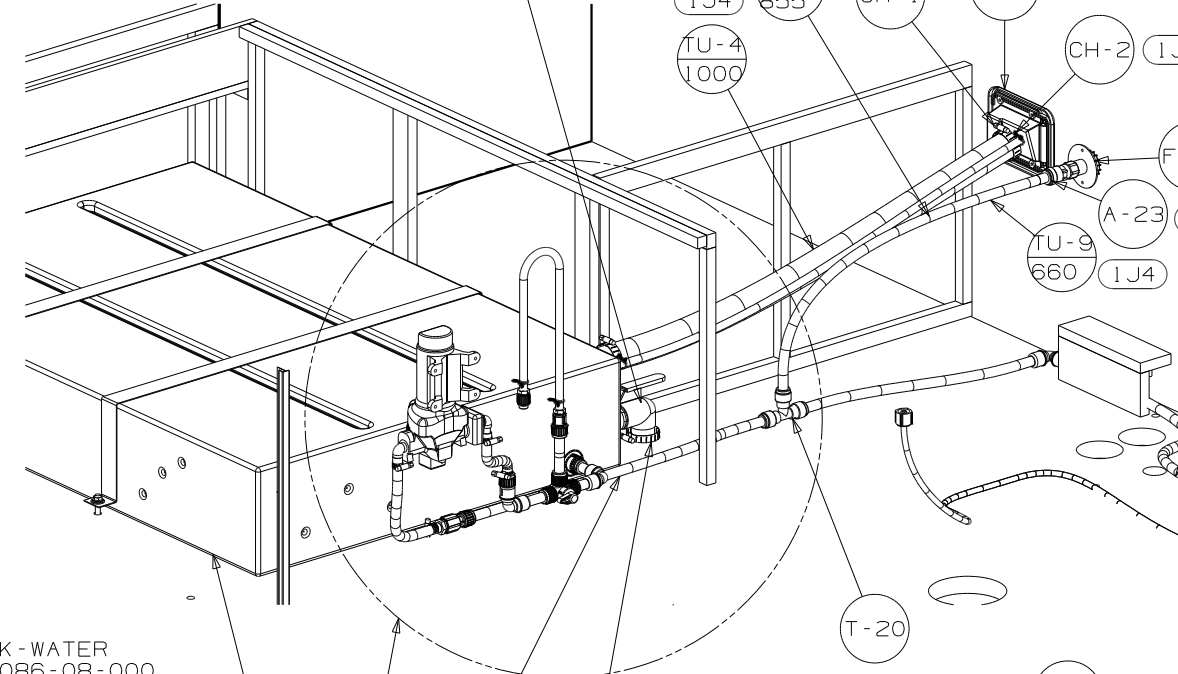


ELBOW  
132782-01-000  
VALVE  
132483-01-000

SCREW  
611-08-12U(4)  
SEALANT

TANK - WATER  
126086-08-000  
STRAP  
118994-06-CHT (2)

TUBING  
74462-01-000  
(100)



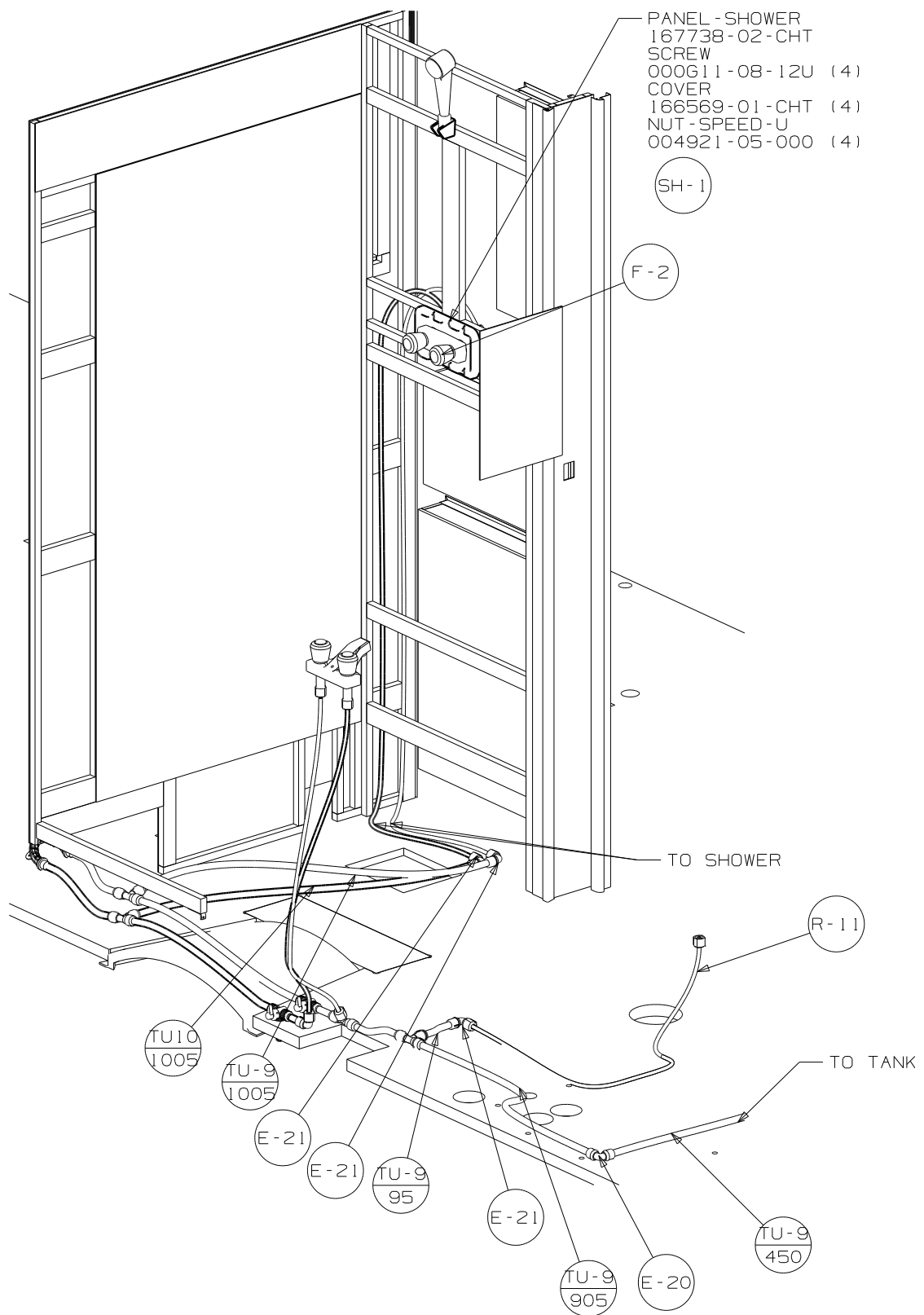
DETAIL G

VIEW C

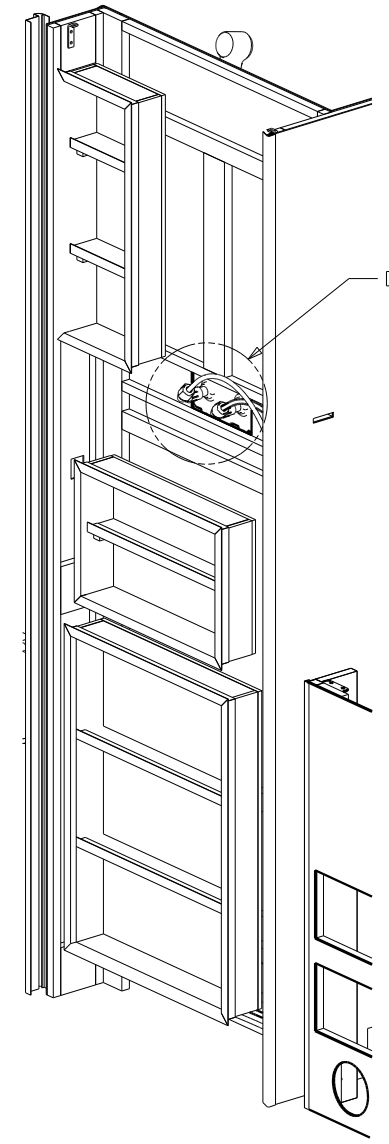
DETAIL G

DETAIL H

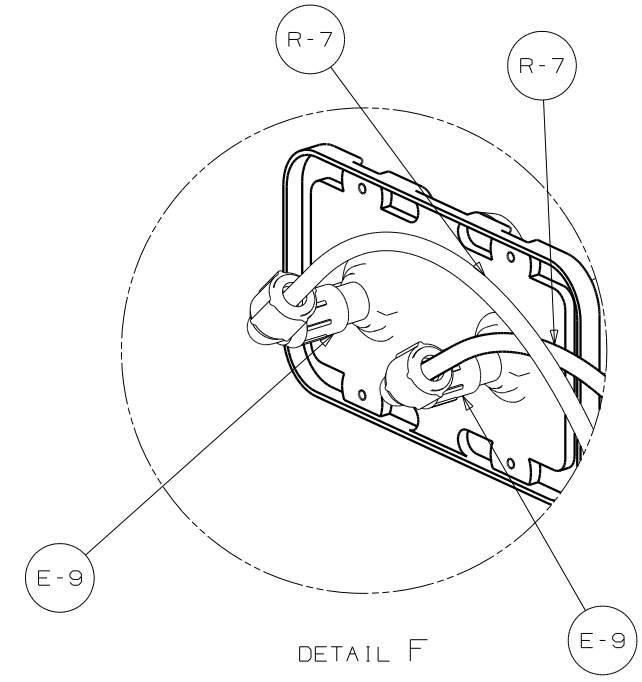
FIRST USED	09 231J
DO NOT SCALE DRAWING	
TITLE:	WATER SYSTEM INSTL
SHEET 3	PART NO 168484 REV



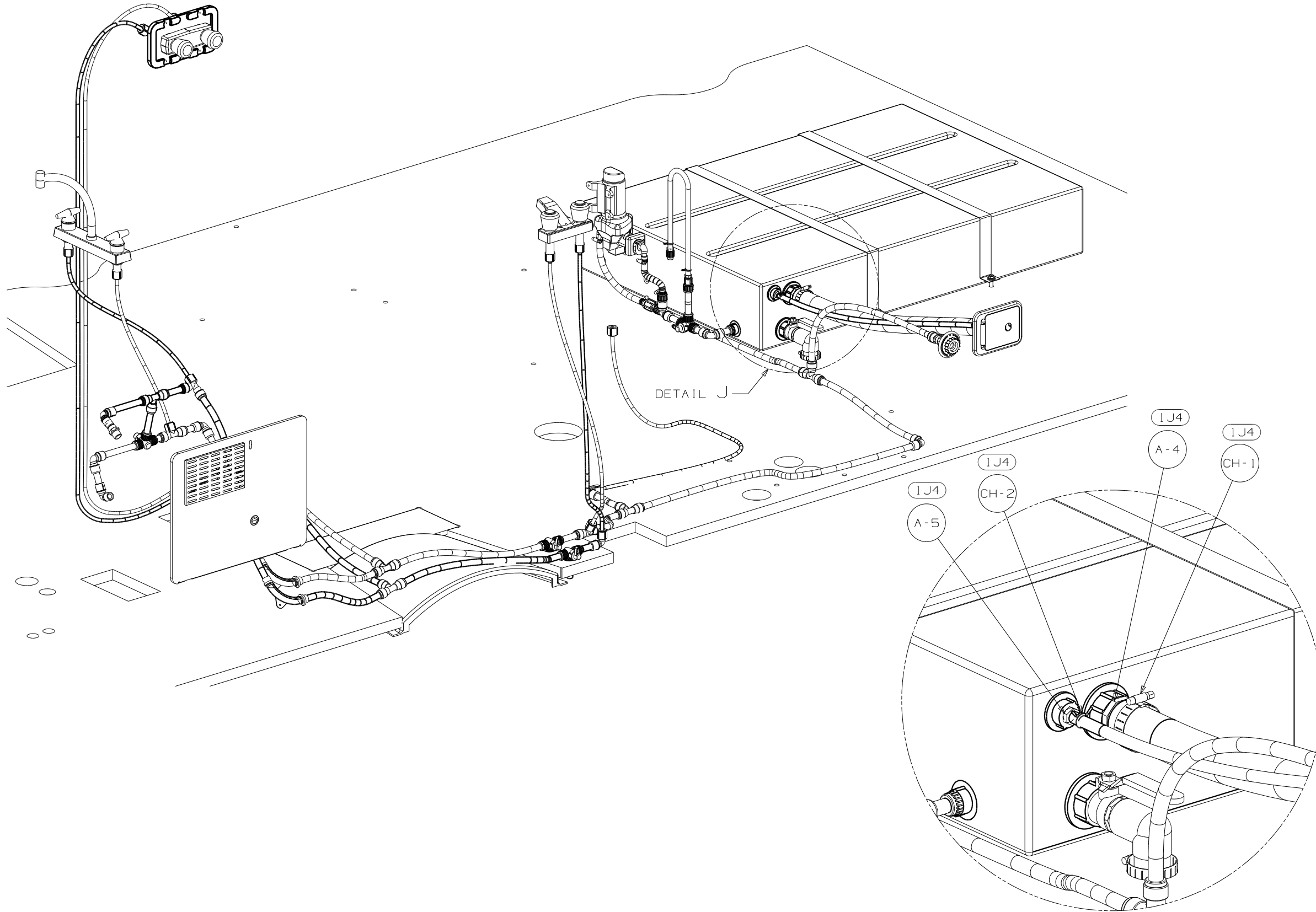
VIEW D



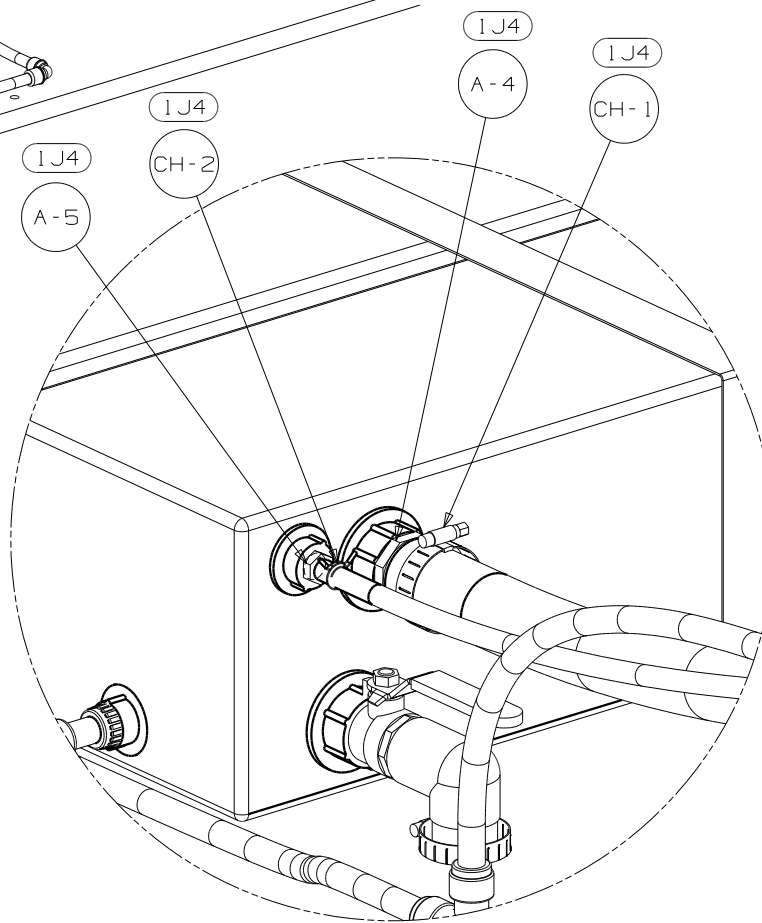
VIEW E



FIRST USED	09 231J		
TITLE	DO NOT SCALE DRAWING		
	WATER SYSTEM INSTL		
SHEET 4	PART NO	168484	REV

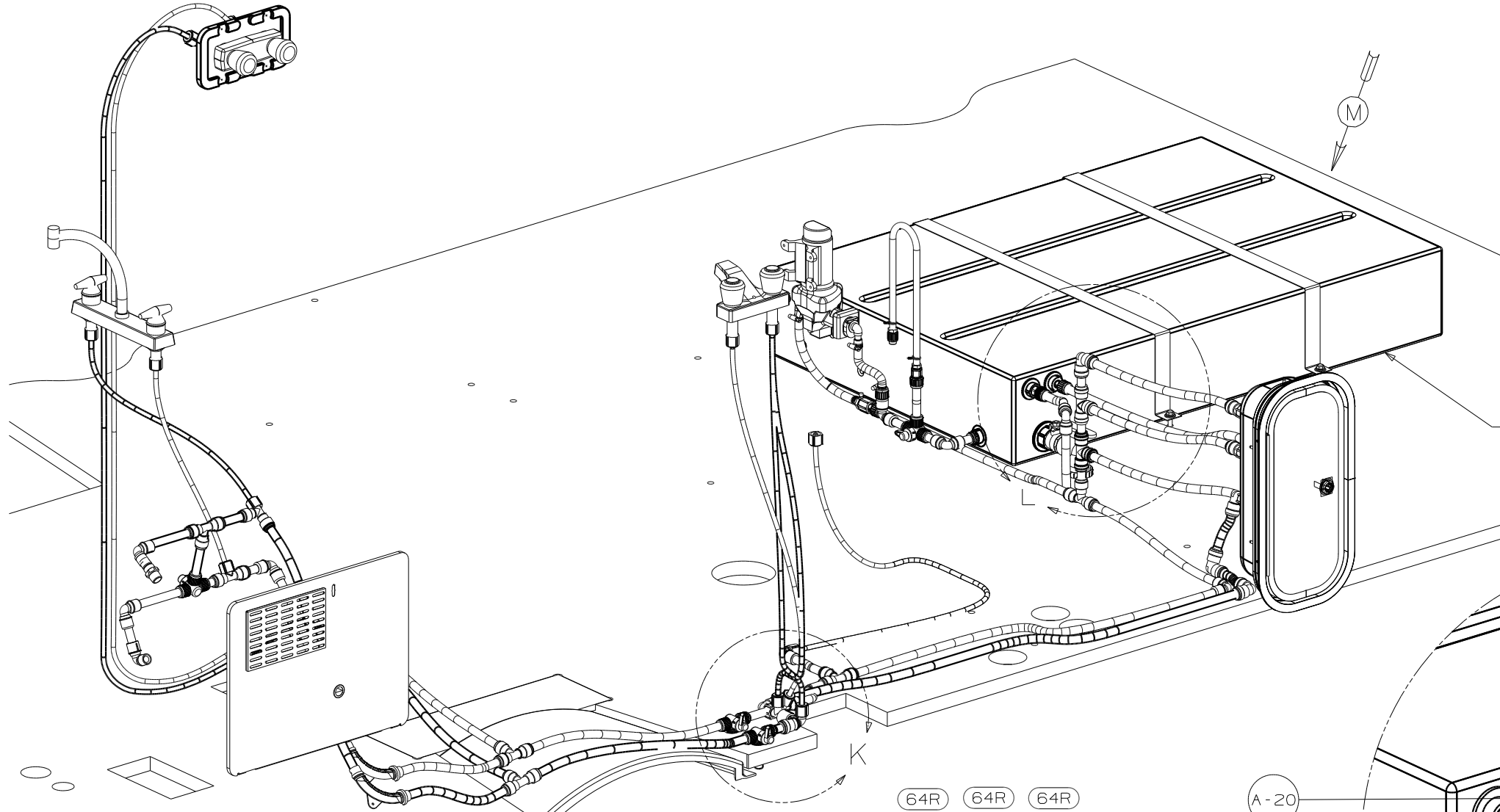


DETAIL J

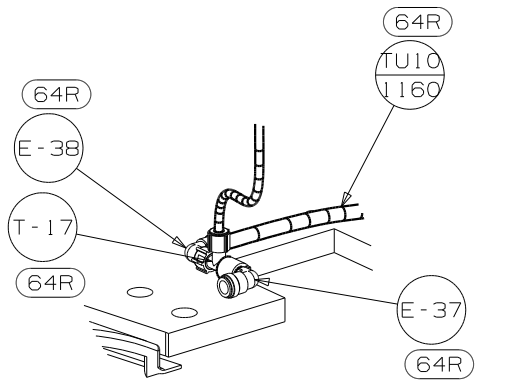


DETAIL J

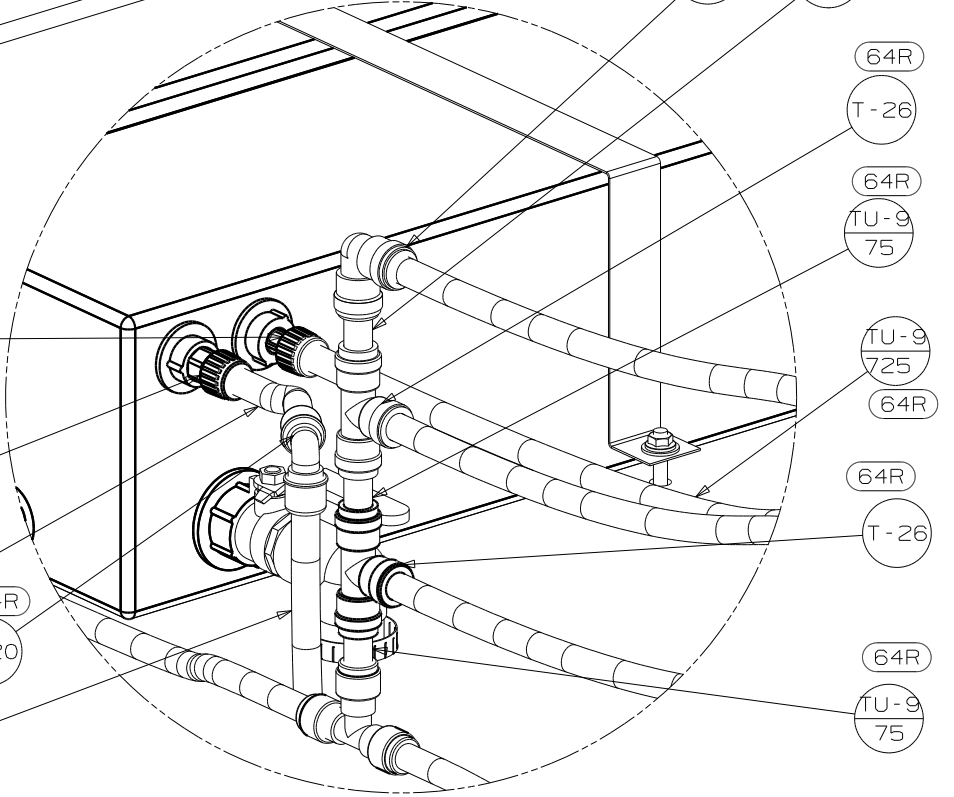
FIRST USED	09 231J
DO NOT SCALE DRAWING	
TITLE:	WATER SYSTEM INSTL
SHEET 5	PART NO 168484 REV



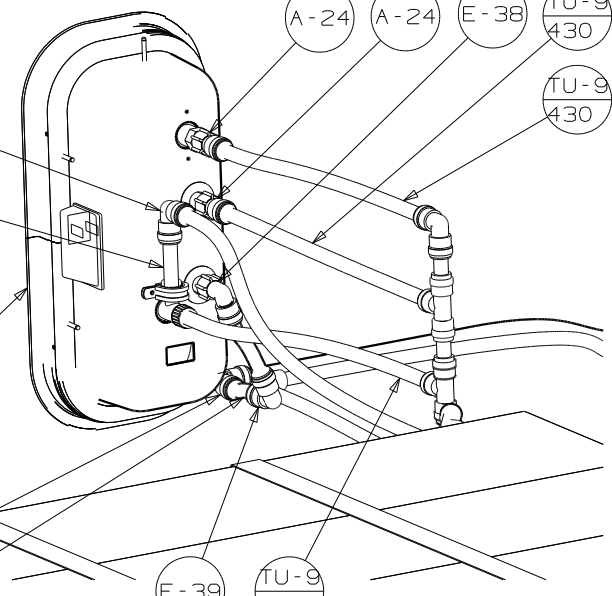
TANK - WATER  
 126086-11-000  
 STRAP  
 118994-06-CHT (2)  
 (64R)



DETAIL K

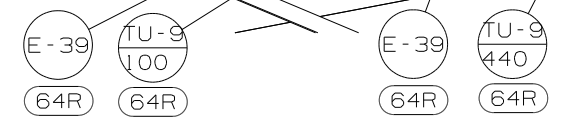


DETAIL L



VIEW M

COMPARTMENT ASM  
 155264-13-XXX  
 (64R)



FIRST USED	09 231J		
TITLE	DO NOT SCALE DRAWING		
TITLE	WATER SYSTEM INSTL		
SHEET 6	PART NO	168484	REV