

- (644) GREAT ALASKAN RENTAL PACKAGE
- (23R) DRAINAGE SYSTEM/HEAT-PREWIRE
- (23T) DRAINAGE SYSTEM-HEATED
- (1B1) CODES/STANDARDS USA
- (265) CODES/STANDARDS-CSA/CMVSS

8. SECURE DRAINAGE PIPES TO CABINET USING WIRE TIE 108046-02-000, AND SCREW 000G67-10-12B AT INTERVALS OF NOT OF NOT MORE THAN 4 FEET APART.
7. SECURE VENT PIPE TO FLOOR WITH CLAMP 062401-02-000 (2), SCREW 000G67-10-12B (2), BRACKET 136878-01-CHT (2).
6. VENT PIPE MUST PROJECT 51 MIN AND 64 MAX ABOVE ROOF FOR PROPER FIT AND FUNCTION.
5. SEAL AROUND SHOWER WITH SILICONE.
4. GLUE FITTING AFTER CABINET IS INSTALLED.
3. ALL PIPE AND FITTINGS TO BE ASSEMBLED WITH SOLVENT 004020-01-000 (USA), 004020-02-000 (CAN)
2. SLOPE OF TRAP ARM MUST BE 6 PER 305 mm.
1. SLOPE OF HORIZONTAL PIPING TO BE MINIMUM OF 3 PER 305 mm.

NOTES:

WINNEBAGO		COPYRIGHT 2010 WINNEBAGO INDUSTRIES, INC.	
DFTR	ORIG. DATE	ALL DIMENSIONS ARE IN MILLIMETERS	
CHKR		10 231C	
P.E.		UNSPECIFIED TOLERANCES ARE:	
M.E.	FIRST USED	WHOLE DIM (X) :	3
DSNR		ONE-PLACE (X.X) :	1.5
		TWO-PLACE (X.XX) :	0.50
		ANGLE :	1°
		THIRD ANGLE PROJECTION	
DO NOT SCALE DRAWING		REFER TO ES0018 FOR FASTENER TIGHTENING GUIDELINES	
TITLE: DRAINAGE SYSTEM INSTL			
SHEET 1 OF 5	PART NO	172949	REV
REF:	1 2/25/2010		

(X-X)
FOR
DRAINAGE
CALLOUTS
SEE DWG NO
116229-01-000

SINK
096927-01-CHT
SEAL
091255-02-000 (A/R)

CRADLE ASM
156612-02-CHT
WASHER
000E13-16-00B (4)
NUT
000D39-05-00B

HANGER-STRAP
140220-19-CHT
BOLT
000D39-05-00B
HOLDER-RING
141443-05-CHT
BOLT
000C26-05-16B
NUT
000D39-05-00B

TOILET-AM-5 464
147421-05-CHT
TOILET-STYLE 11 644
160815-02-CHT
SCREW
087721-01-000 (6)

TANK-HOLDING
156229-02-CHT

TANK-HOLDING
156228-02-CHT
CRADLE ASM
156612-03-CHT
WASHER
000E13-16-00B (4)
NUT
000D39-05-00B

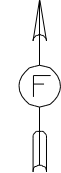
PAD-HEATER, ELBOW
133972-05-000

VALVE
129147-01-000

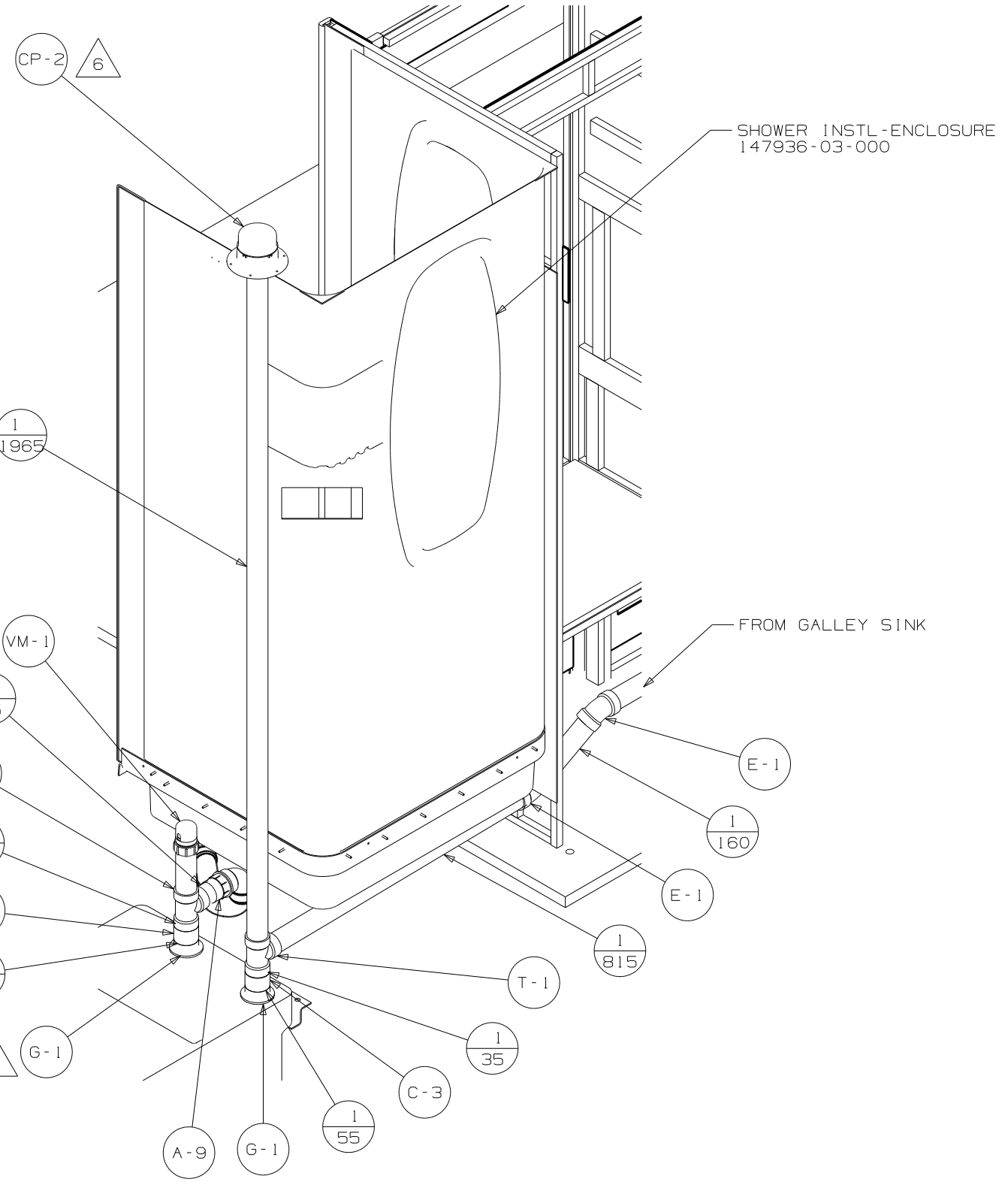
FLANGE-CLOSET
151541-01-000

VIEW B

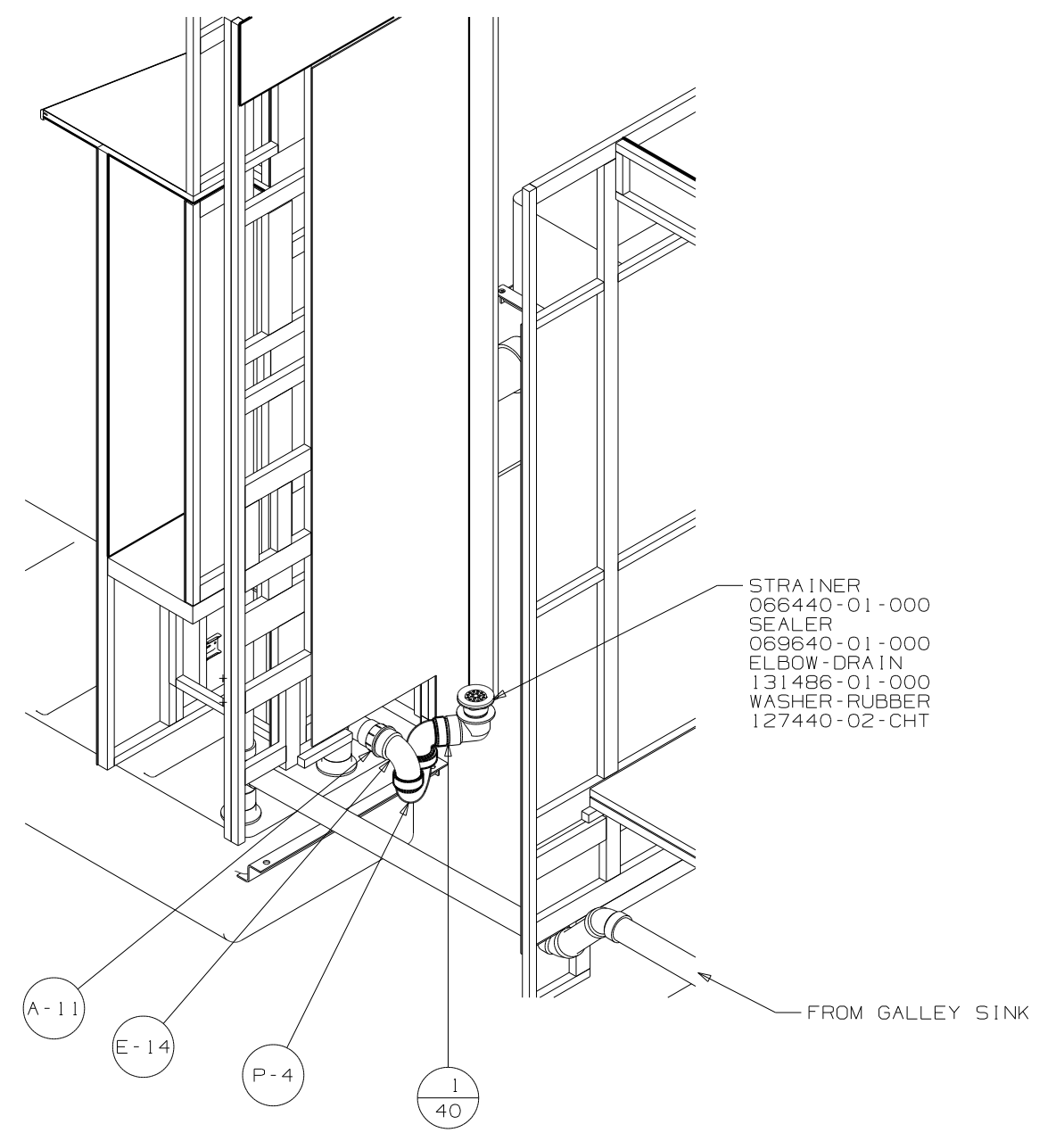
VIEW A



FIRST USED	10 231C
DO NOT SCALE DRAWING	
TITLE	DRAINAGE SYSTEM INSTL
SHEET 2	PART NO 172949 REV

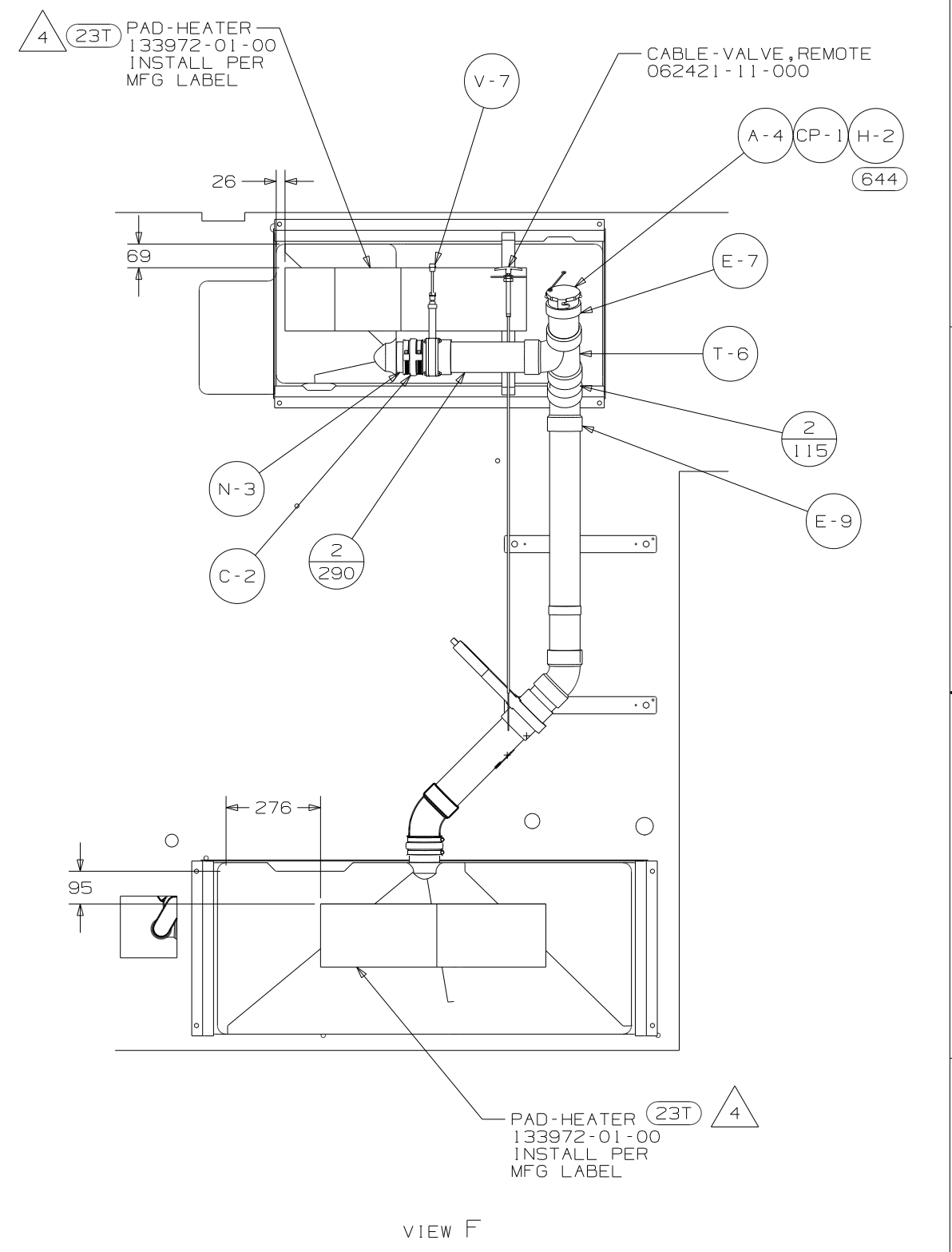
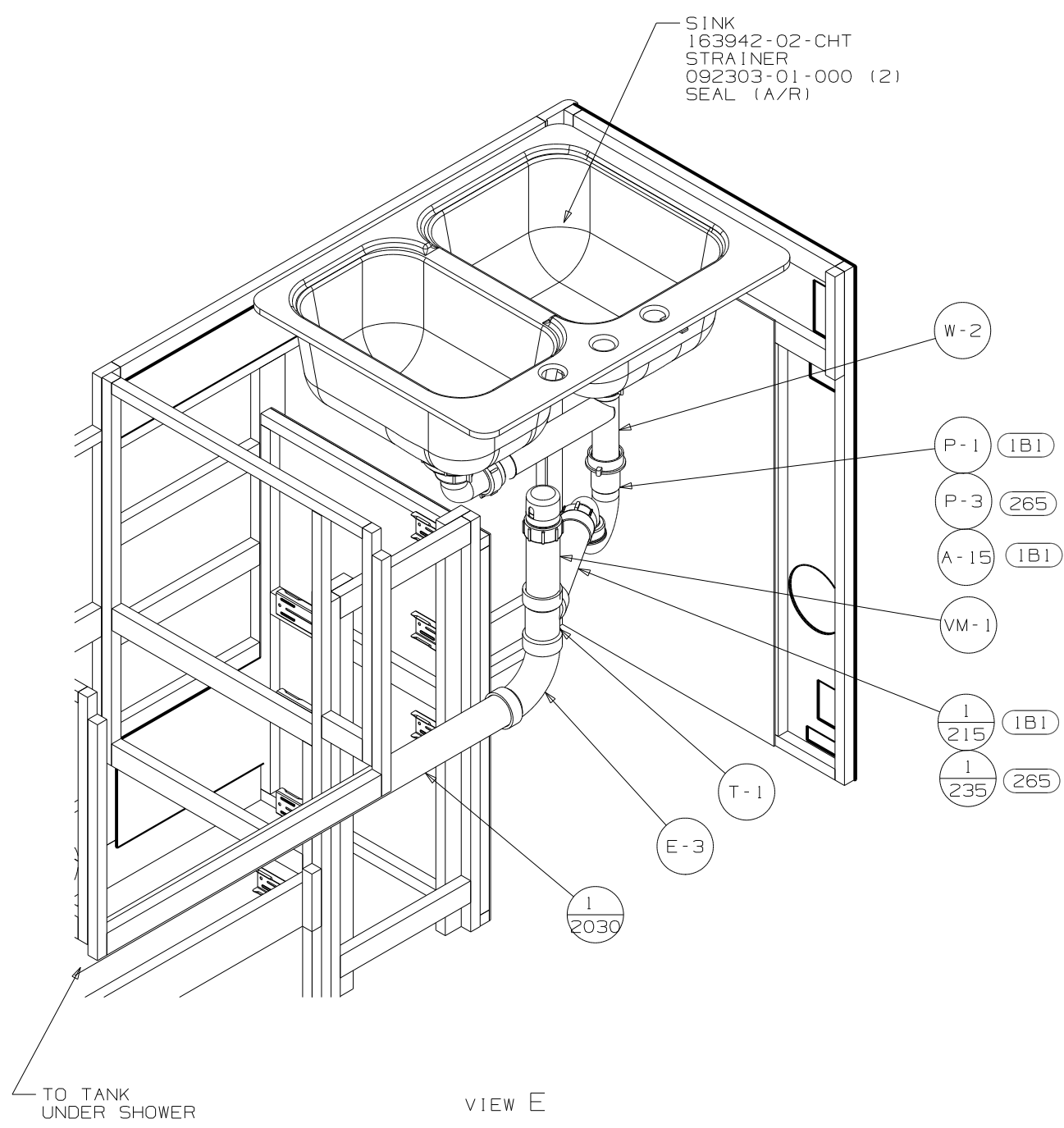


VIEW C

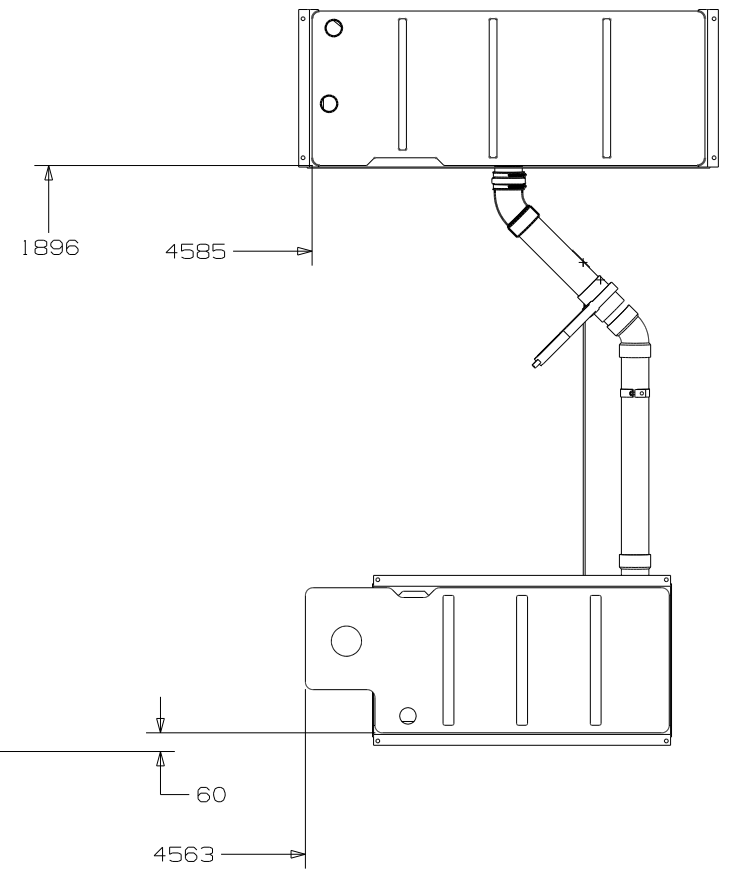
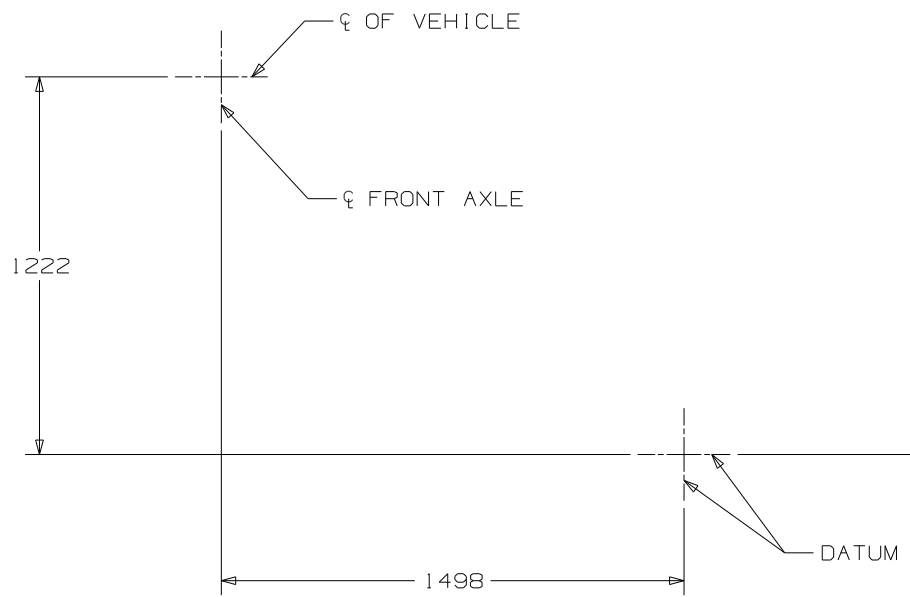


VIEW D

FIRST USED	10 231C
TITLE	DO NOT SCALE DRAWING
SHEET 3	PART NO 172949 REV
1/25/2010	

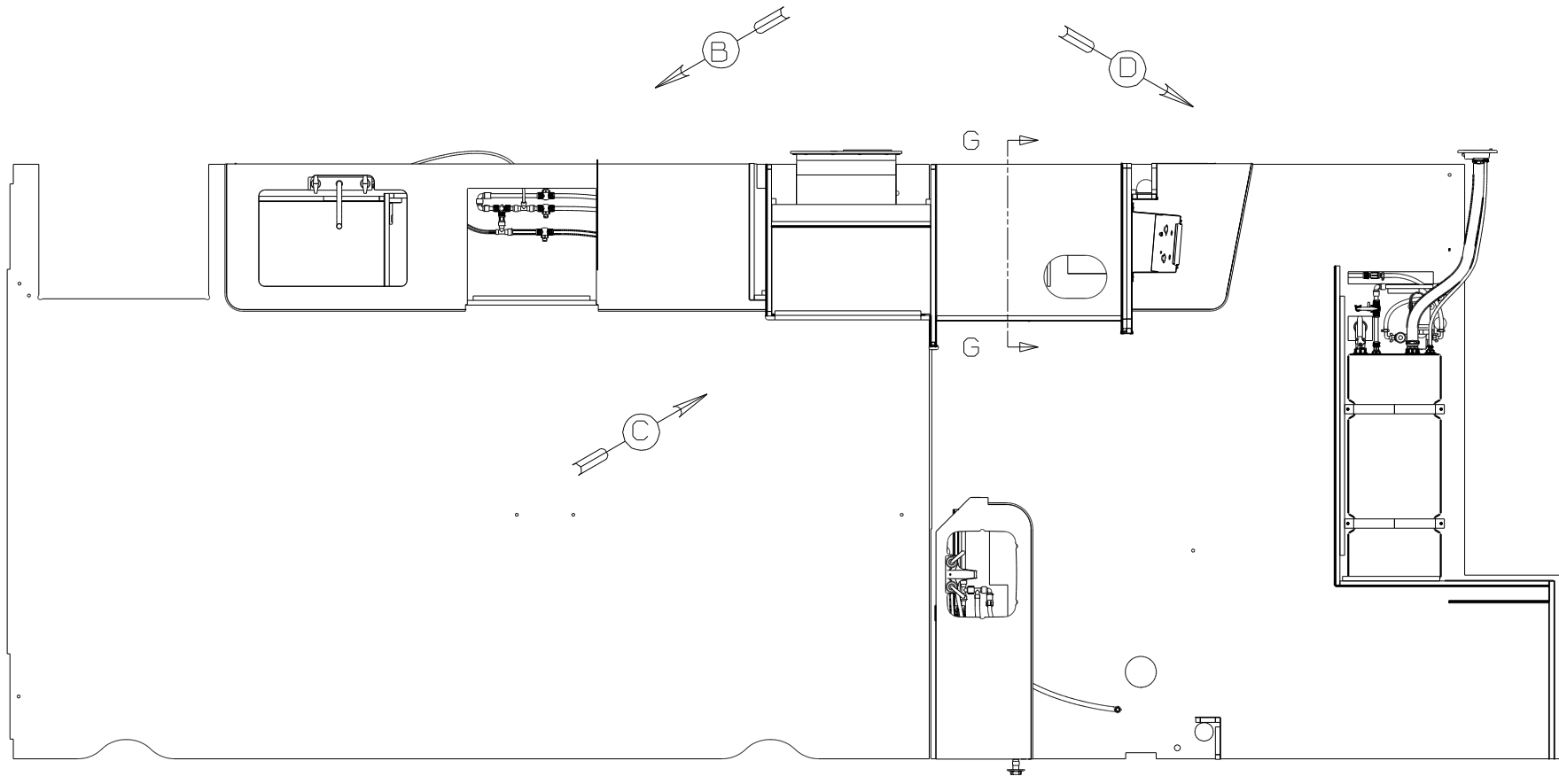


FIRST USED	10 231C
DO NOT SCALE DRAWING	
TITLE	DRAINAGE SYSTEM INSTL
SHEET 4	PART NO 172949 REV



TOP VIEW SHOWING TANK LOCATION

FIRST USED	10 231C
DO NOT SCALE DRAWING	
TITLE:	DRAINAGE SYSTEM INSTL
SHEET 5	PART NO 172949 REV



11. ATTACH WASHER-PLASTIC 087080-13-CHT W/TAPE-DOUBLE 123816-03 ON BOTTOM SIDE OF FLOOR.
10. ATTACH WASHER-PLASTIC 087080-11-CHT W/TAPE-DOUBLE 123816-03 ON BOTTOM SIDE OF COMPARTMENT.
9. LABEL THE HOT AND COLD SUPPLY RISER TUBES AND TAPE FITTING TO TUBE BEFORE CABINET SET TO PREVENT MOVEMENT.

8. NOT REQUIRED W/ (644) FEATURE.
7. ADD PIPE WRAP (LADDER SCRAP 110157-02-000) INSULATION.
6. ADD TEFLON TAPE 010405-03-000.
5. ADD TEFLON TAPE 010405-02-000.
4. ADD TEFLON TAPE 010405-01-000.

3. ALL TUBING TO BE SECURED AT 1200 INTERVALS MAXIMUM WITH CLAMP 010495-01-000 AND SCREW 000667-10-12B OR EQUIVALENT.
2. TUBING TO BE INSTALLED WITH SUFFICIENT SLOPE TO PROVIDE DRAINAGE TO NEAREST VALVE.
1. PLASTIC FITTINGS TO BE SEALED WITH SEALANT 084456-01-000.

NOTES:

- (64V) SIDEWALLS-PREMIUM HIGH GLOSS
- (64T) SIDEWALLS-HIGH GLOSS
- (64R) EXTERIOR WASH STATION
- (53F) WATER HEATER-ELEC. IGNITION
- (53B) WTR HTR-6GAL ELECTRIC/LP GAS
- (53E) WATER SYS WINTERIZATION PKG
- (644) GREAT ALASKAN RENTAL PACKAGE

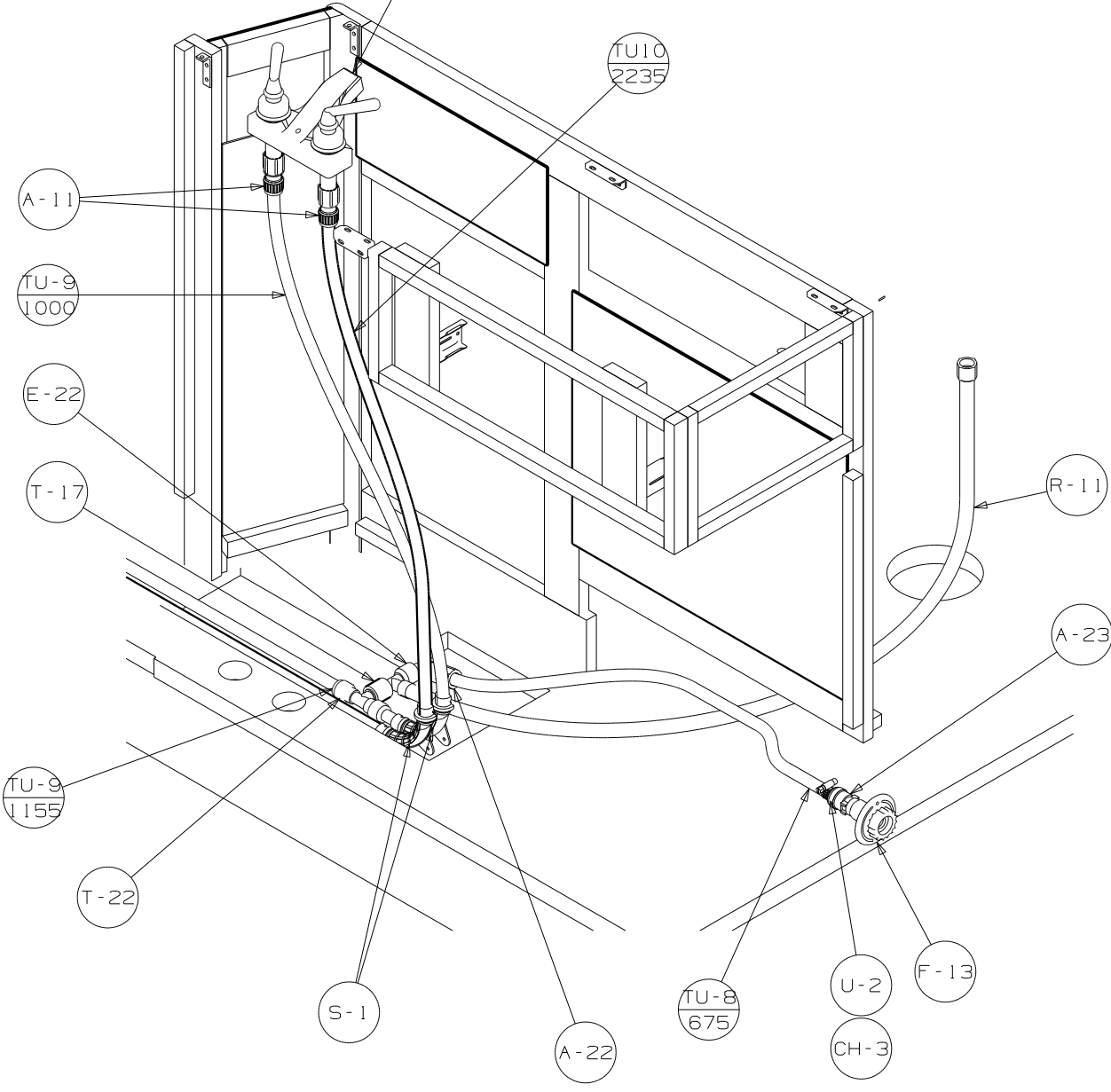
WINNEBAGO		COPYRIGHT 2010 WINNEBAGO INDUSTRIES, INC.	
DFTR	ORIG. DATE	ALL DIMENSIONS ARE IN MILLIMETERS	
CHKR		FIRST USED	
P.E.		10 231C	
M.E.		UNSPECIFIED TOLERANCES ARE:	
DSNR		WHOLE DIM (X.X)	: 3
		ONE-PLACE (X.X)	: 1.5
		TWO-PLACE (X.XX)	: 0.50
		ANGLE	: 1°
THIRD ANGLE PROJECTION		MATERIAL:	
DO NOT SCALE DRAWING		REFER TO E50018 FOR FASTENER TIGHTENING GUIDELINES	
TITLE: WATER SYSTEM INSTL			
SHEET 1 OF 5	PART NO 172948	REV	
REF:	1 2/19/2010		

FOR WATER CALLOUTS SEE DWG NO 116230-01-000

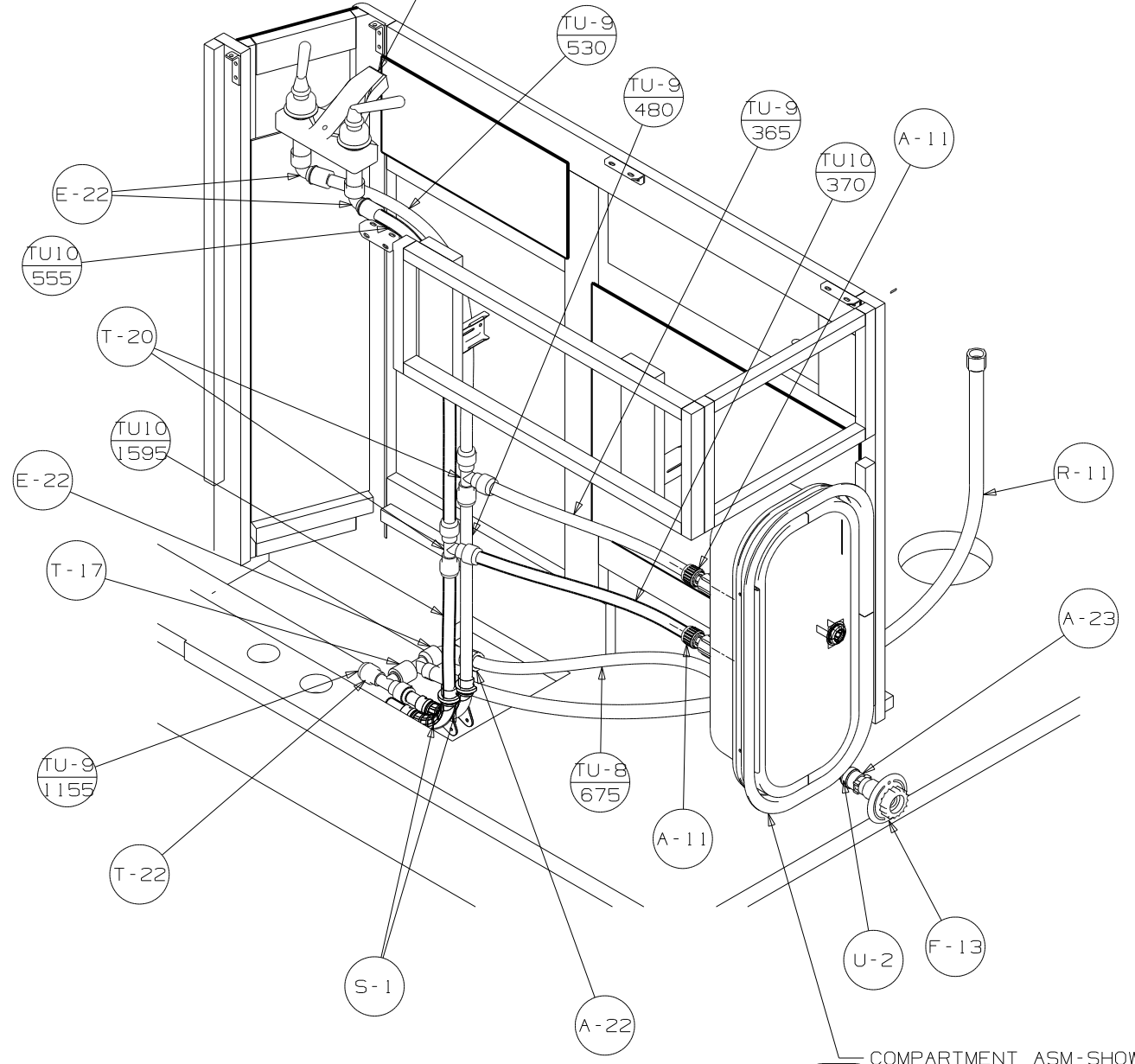


FAUCET-LAV
148886-03-CHT
165730-01-CHT (644)
GASKET
091253-01-000

FAUCET-LAV
148886-03-CHT
165730-01-CHT
GASKET
091253-01-000



VIEW A

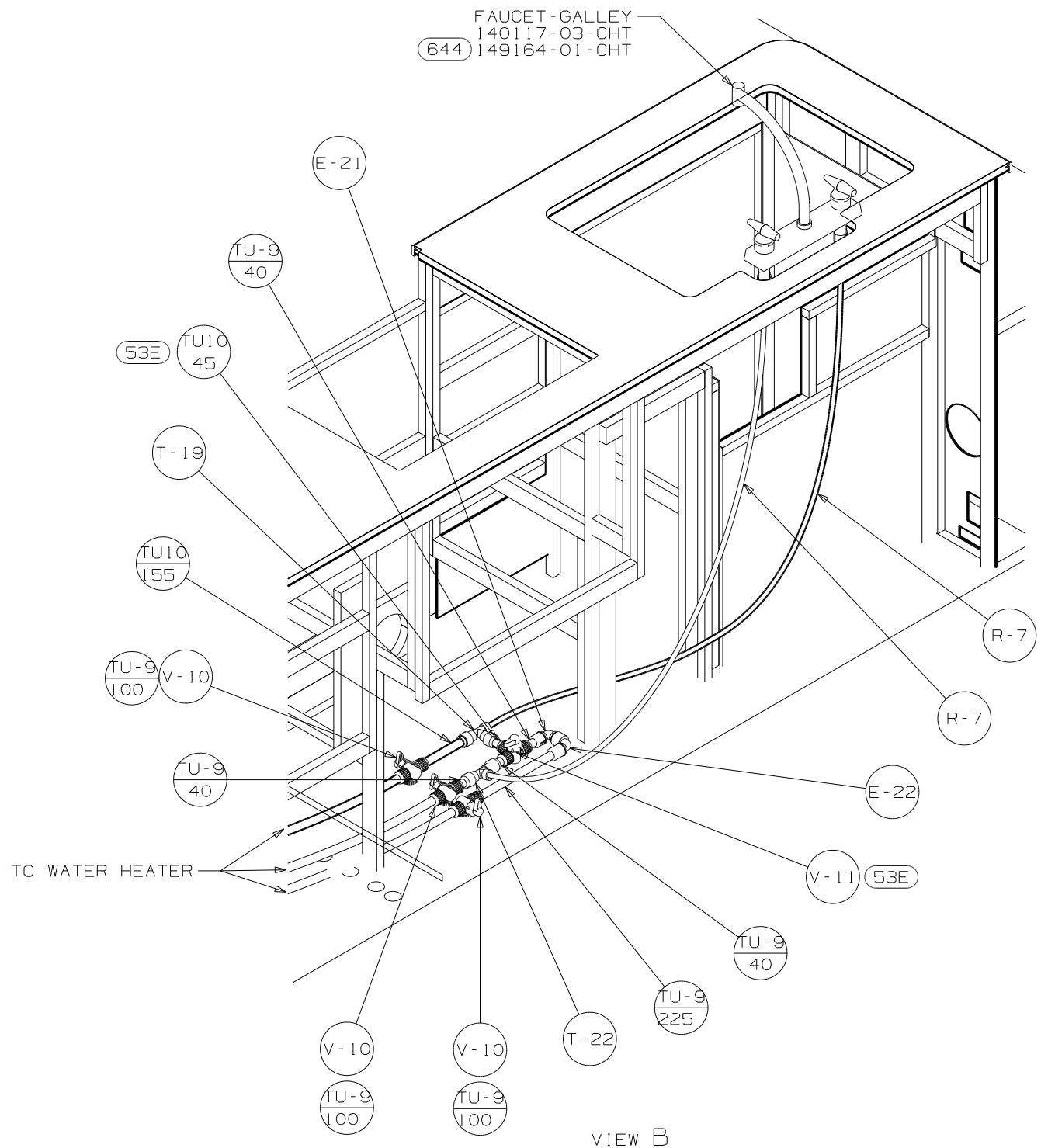


VIEW A

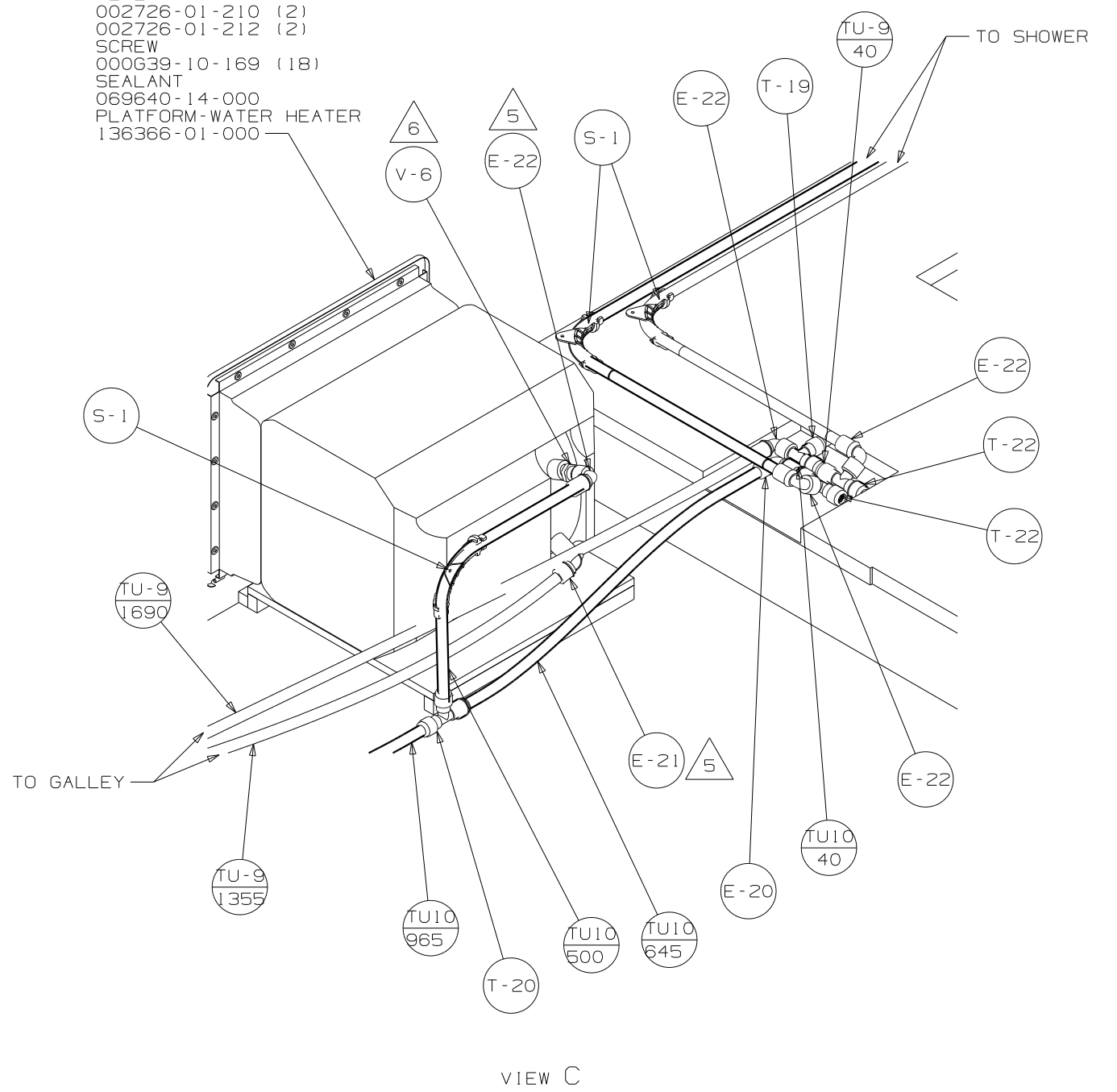
(64T) COMPARTMENT ASM-SHOWER
155264-10-XXX
155264-11-XXX (64V)
EXTR-ANGLE
113140-51-002(2)
CABLE
076767-17-000

FIRST USED	10 231C
TITLE	DO NOT SCALE DRAWING
SHEET 2	PART NO 172948 REV

- WATER-HEATER
- 051391-03-000 (53F)
- 145541-02-000 (53B)
- DOOR
- 125420-06-CHT
- AL EXTR
- 002726-01-210 (2)
- 002726-01-212 (2)
- SCREW
- 000639-10-169 (18)
- SEALANT
- 069640-14-000
- PLATFORM-WATER HEATER
- 136366-01-000



VIEW B

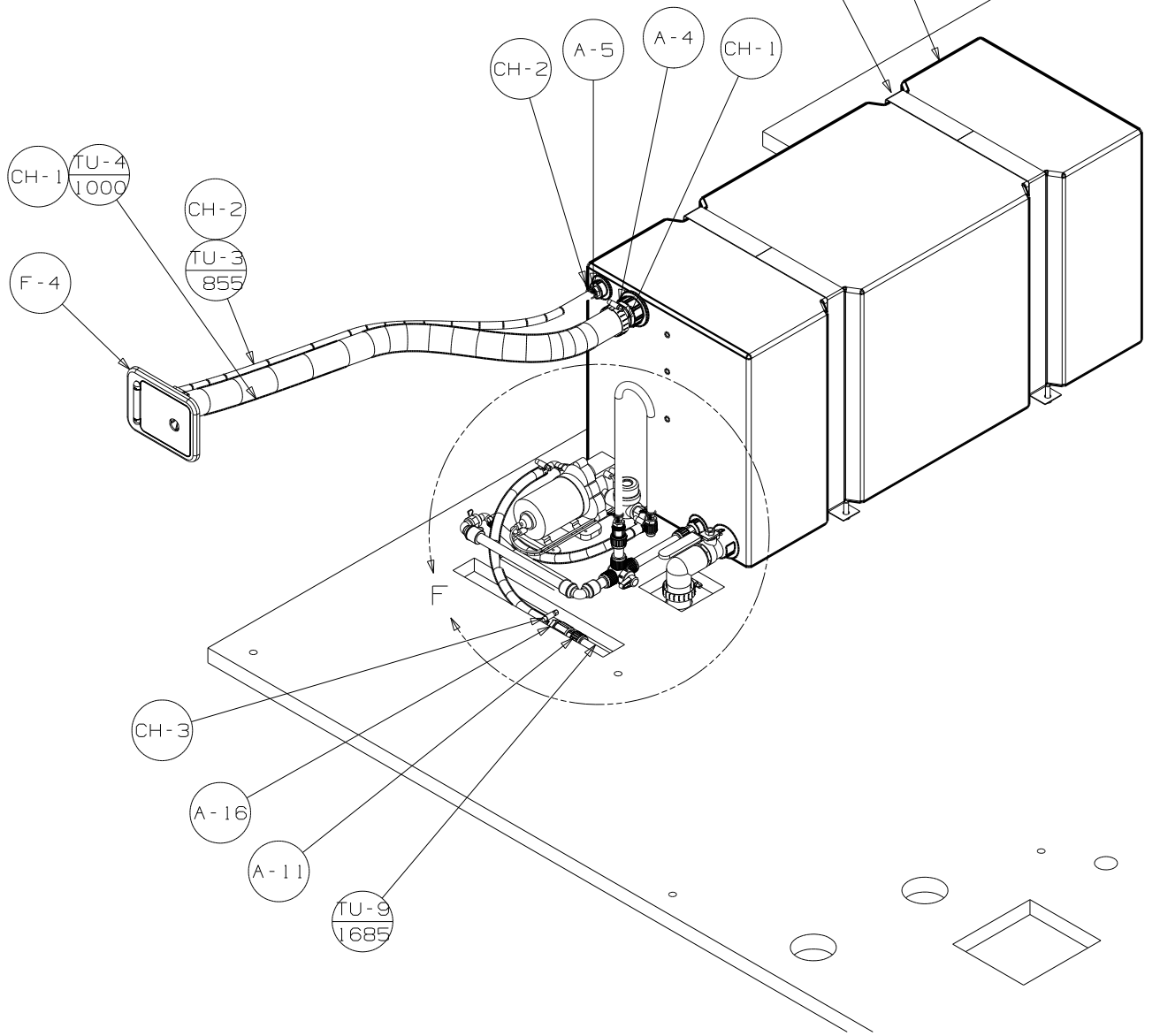


VIEW C

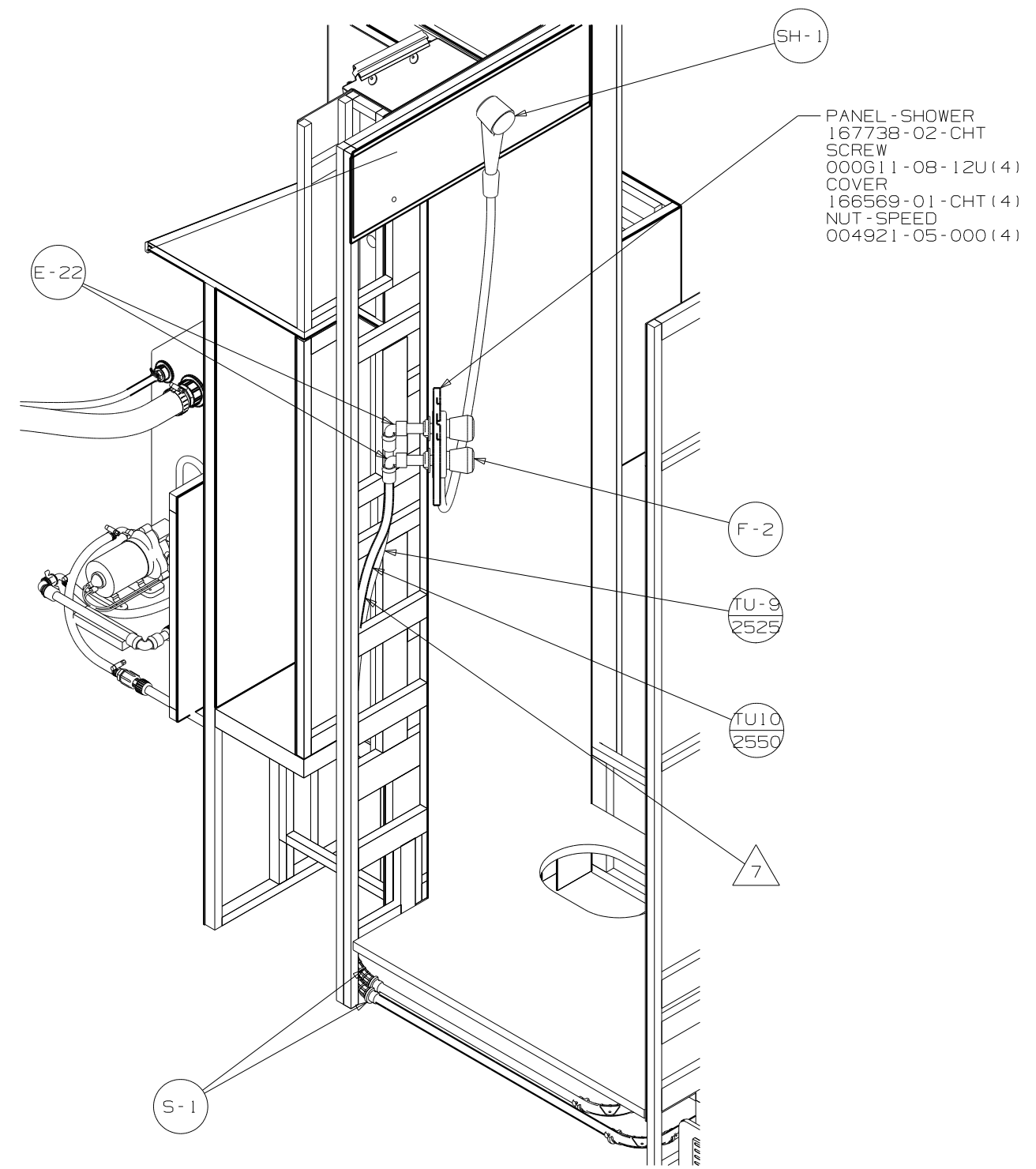
FIRST USED	10 231C
TITLE	DO NOT SCALE DRAWING
SHEET 3	PART NO 172948 REV

TANK - WATER, 36 GAL
156167-03-000

STRAP - TANK, WATER
118994-10-000 (2)



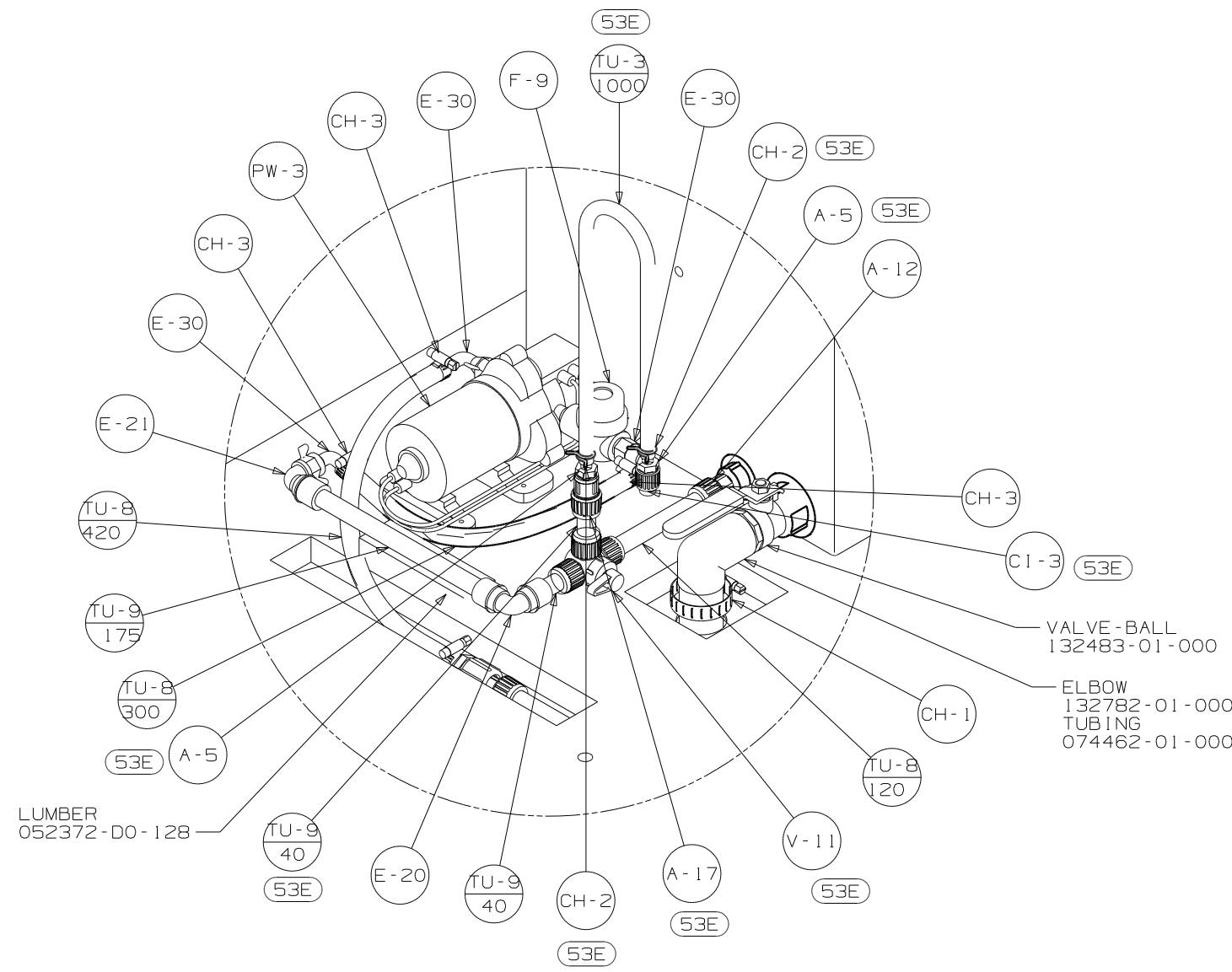
VIEW D



PANEL - SHOWER
167738-02-CHT
SCREW
00011-08-12U (4)
COVER
166569-01-CHT (4)
NUT - SPEED
004921-05-000 (4)

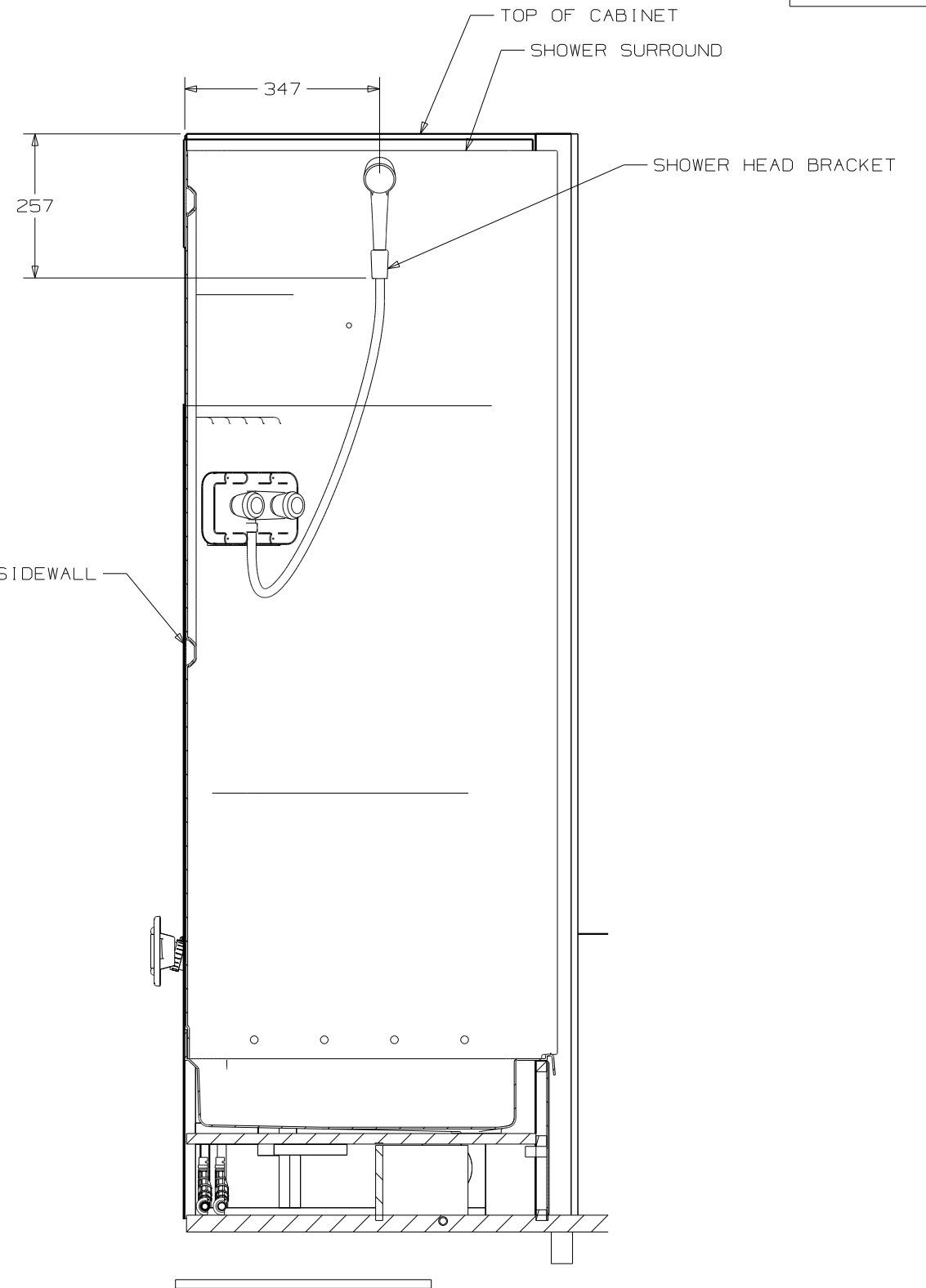
VIEW E

FIRST USED	10 231C	
TITLE	DO NOT SCALE DRAWING	
SHEET 4	PART NO	172948
	REV	



DETAIL F

LUMBER 052372-D0-128



SECTION G-G

FIRST USED	10 231C
TITLE	DO NOT SCALE DRAWING
TITLE	WATER SYSTEM INSTL
SHEET 5	PART NO 172948 REV