

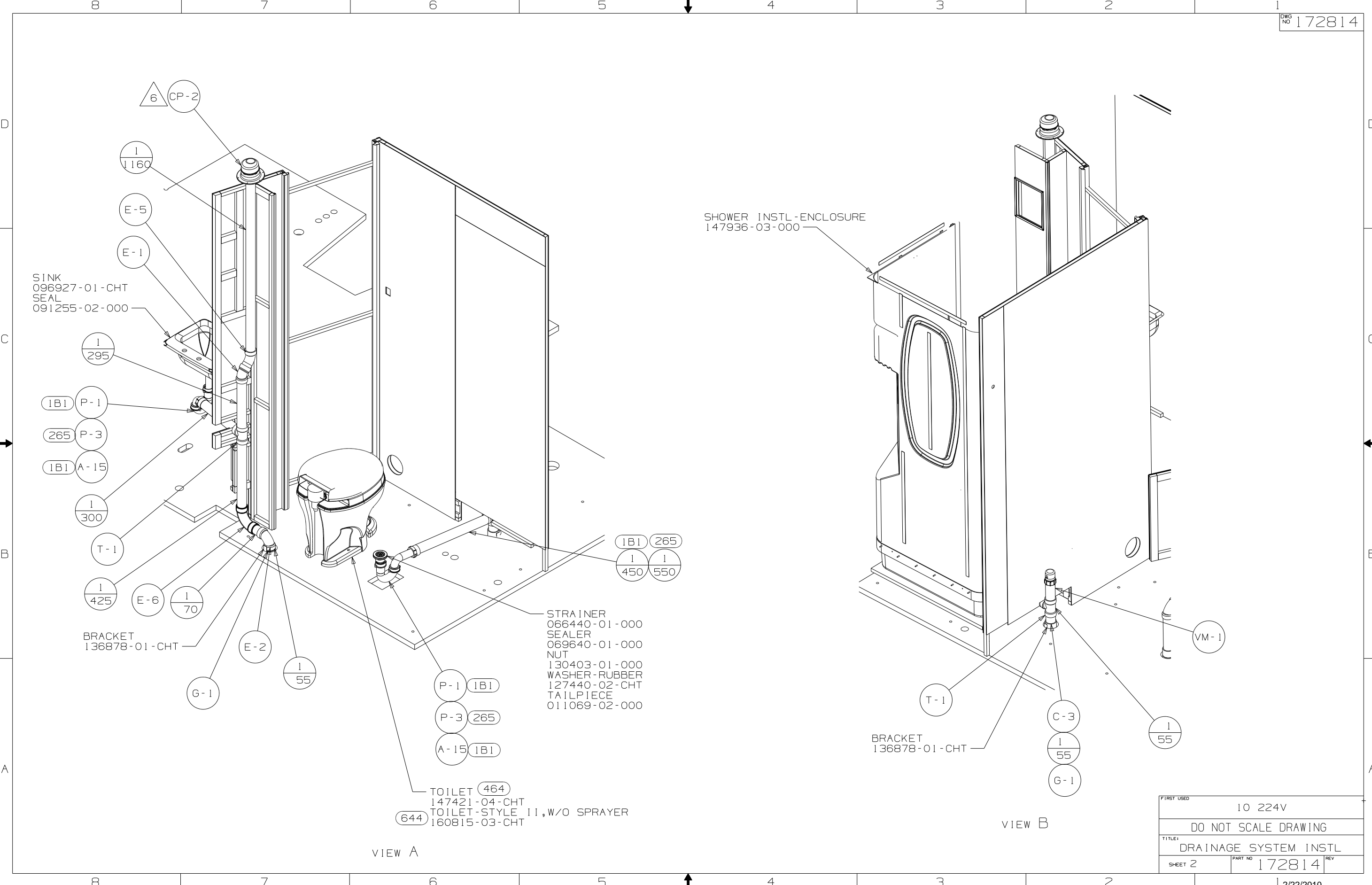
9. SEE DRAWING 61607-0-000 FOR INSTALLATION OF GROMMETS.
8. SECURE DRAINAGE PIPES TO CABINET USING WIRE TIE 108046-02-000, AND SCREW G67-10-12B AT INTERVALS OF NOT MORE THAN 4 FEET APART.
7. SECURE VENT PIPE TO FLOOR WITH CLAMP 62401-02-000 (2), SCREW G67-10-12B (2), BRACKET 136878-01-CHT (2).
6. VENT PIPE MUST PROJECT 51 MIN AND 64 MAX ABOVE ROOF FOR PROPER FIT AND FUNCTION. ADD S-1 (116666-01-CHT SEAL-VENT PIPE) AROUND PIPE ON ROOF BEFORE VENT CAP IS INSTALLED.
5. SEAL AROUND SHOWER WITH SILICONE.
4. SEE WIRING INSTL-BODY FOR ELECTRICAL CONNECTION.
3. ALL PIPE AND FITTINGS TO BE ASSEMBLED WITH SOLVENT 4020-01-000 (USA), 4020-02-000 (CAN)
2. SLOPE OF TRAP ARM MUST BE 6 PER 305 mm.
1. SLOPE OF HORIZONTAL PIPING TO BE MINIMUM OF 3 PER 305 mm.

NOTES:

- 644 GREAT ALASKAN RENTAL PACKAGE
- 1B1 CODES/STANDARDS USA
- 265 CODES/STANDARDS-CSA/CMVSS
- 23T DRAINAGE SYSTEM-HEATED
- 464 TOILET

(X-X)
FOR
DRAINAGE
CALLOUTS
SEE DWG NO
116229-01-000

WINNEBAGO		COPYRIGHT 2010 WINNEBAGO INDUSTRIES, INC.	
DFTR	ORIG. DATE	ALL DIMENSIONS ARE IN MILLIMETERS	
CHKR		FIRST USED	
P.E.		10 224V	
M.E.		UNSPECIFIED TOLERANCES ARE:	
DSNR		WHOLE DIM (X.X)	: 3
		ONE-PLACE (X.X)	:
		TWO-PLACE (X.XX)	:
		ANGLE	:
		THIRD ANGLE PROJECTION	
DO NOT SCALE DRAWING		REFER TO ES0018 FOR FASTENER TIGHTENING GUIDELINES	
TITLE: DRAINAGE SYSTEM INSTL			
SHEET 1 OF 4	PART NO	172814	REV
REF:	1/22/2010		



SINK
096927-01-CHT
SEAL
091255-02-000

SHOWER INSTL-ENCLOSURE
147936-03-000

STRAINER
066440-01-000
SEALER
069640-01-000
NUT
130403-01-000
WASHER-RUBBER
127440-02-CHT
TAILPIECE
011069-02-000

BRACKET
136878-01-CHT

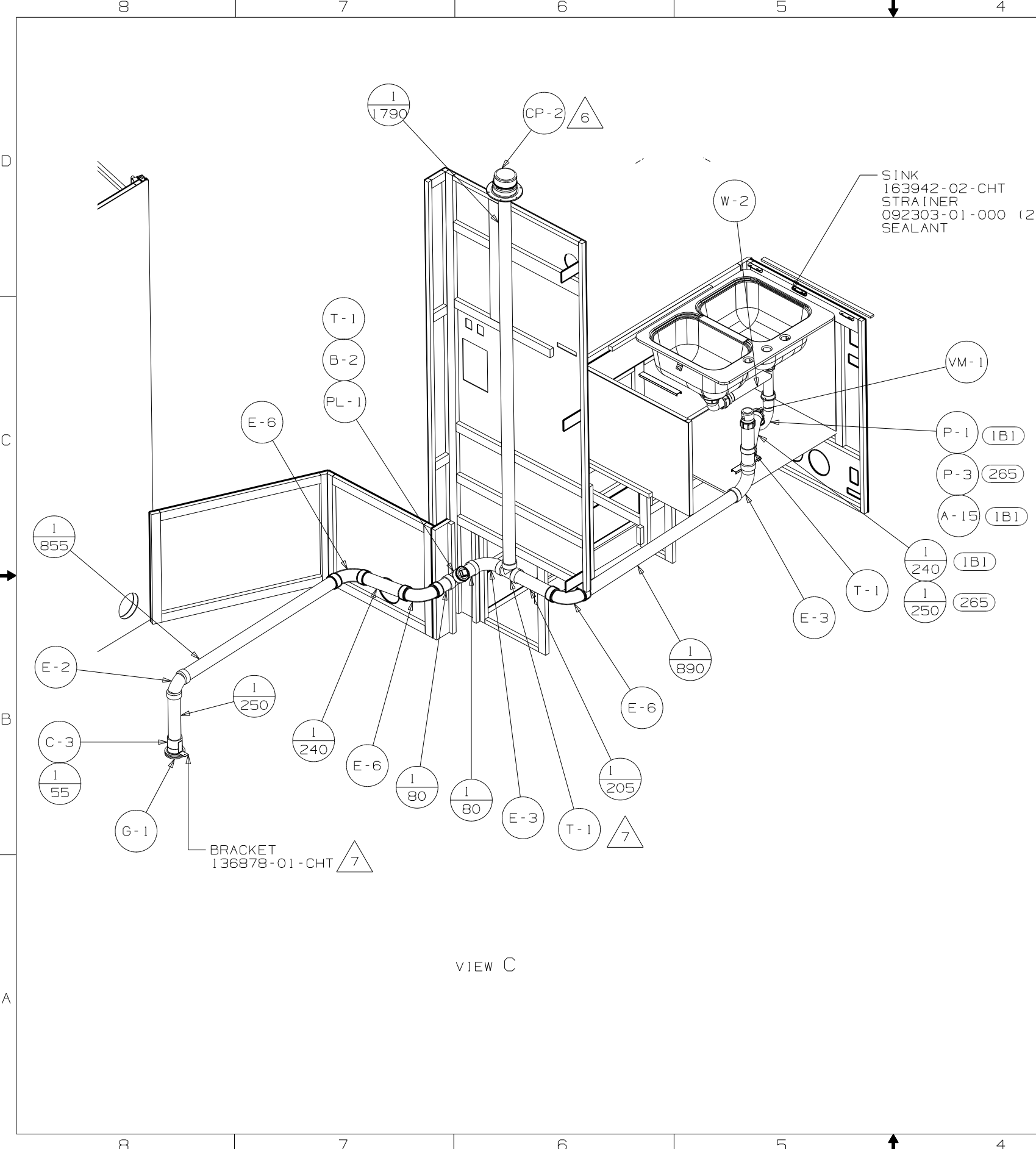
BRACKET
136878-01-CHT

TOILET 464
147421-04-CHT
TOILET-STYLE 11,W/O SPRAYER
160815-03-CHT

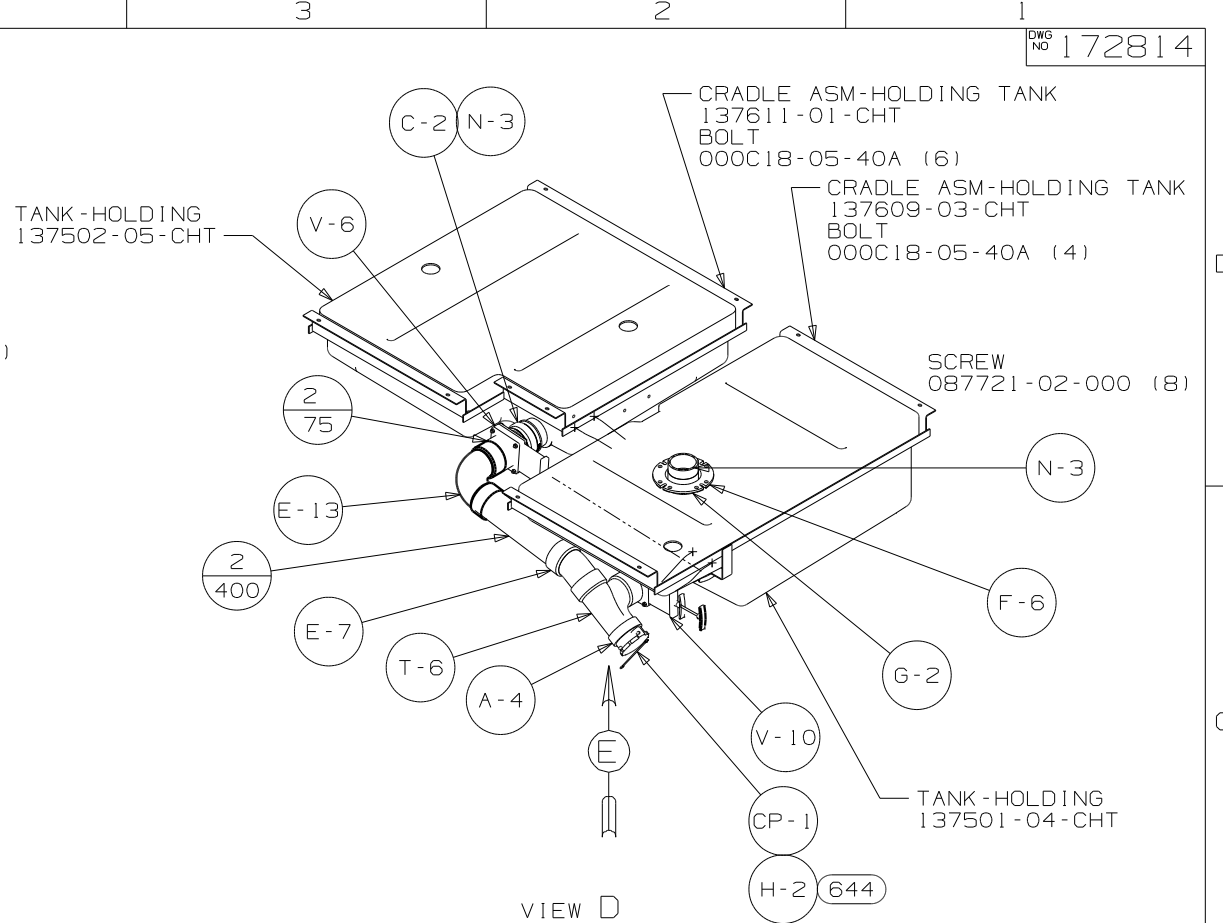
FIRST USED	10 224V
DO NOT SCALE DRAWING	
TITLE	DRAINAGE SYSTEM INSTL
SHEET 2	PART NO 172814 REV

VIEW A

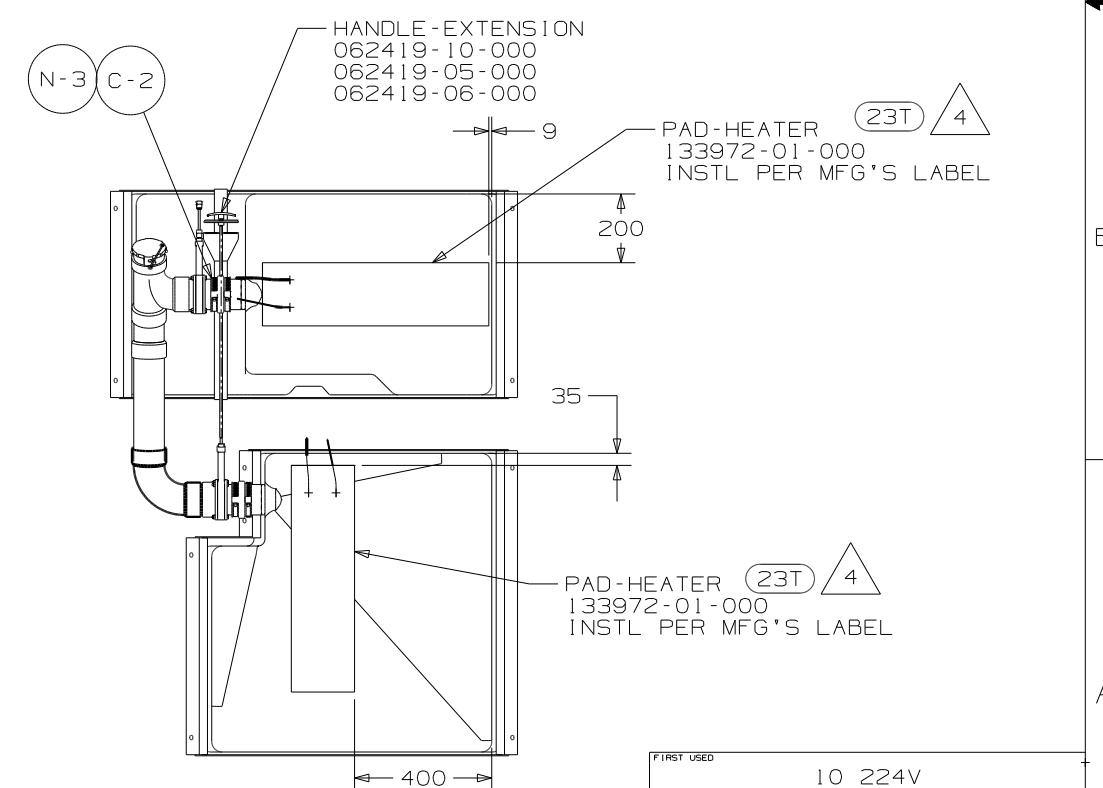
VIEW B



VIEW C

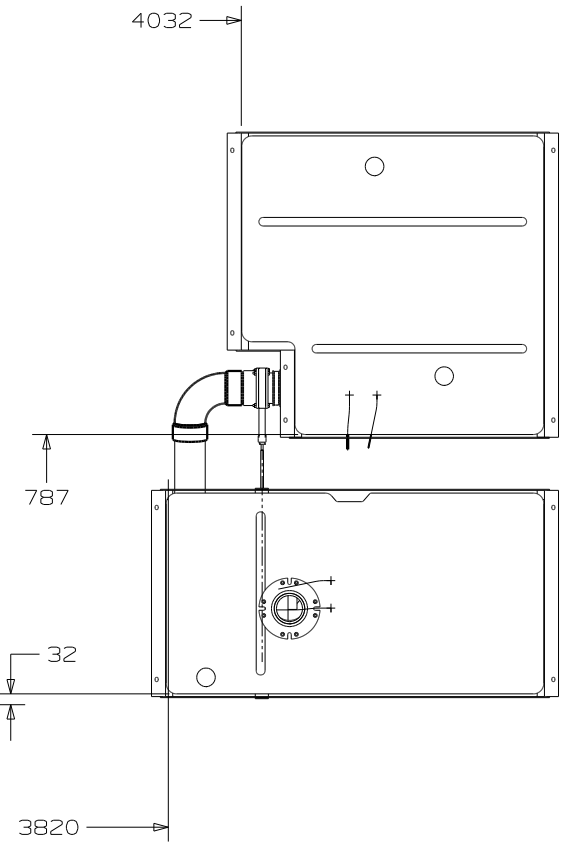
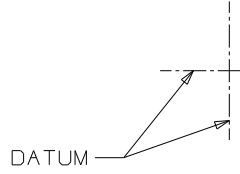
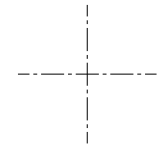


VIEW D



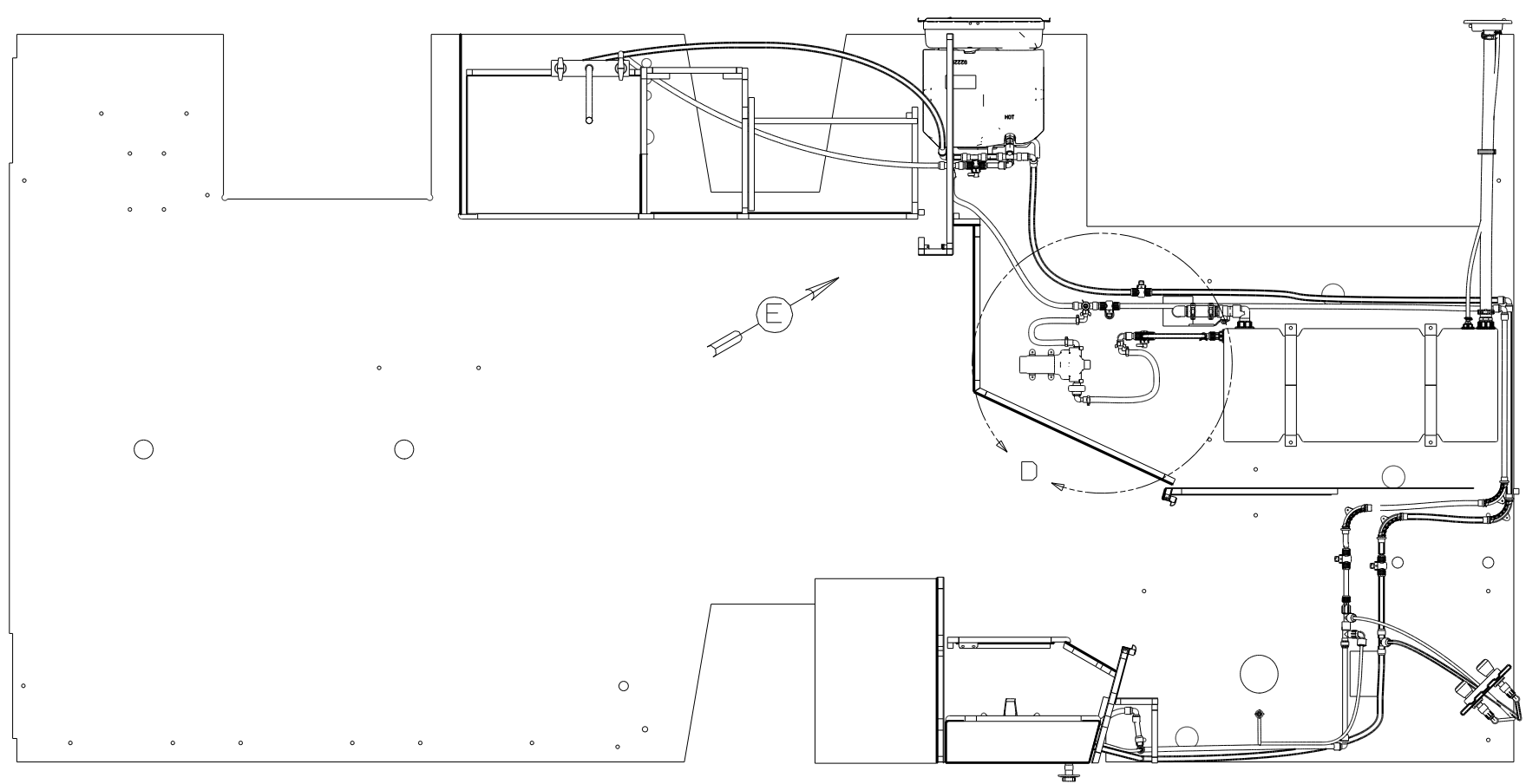
VIEW E

FIRST USED	10 224V
DO NOT SCALE DRAWING	
TITLE	DRAINAGE SYSTEM INSTL
SHEET 3	PART NO 172814 REV



TOP VIEW SHOWING TANK LOCATION

FIRST USED	10 224V
TITLE	DO NOT SCALE DRAWING
	DRAINAGE SYSTEM INSTL
SHEET 4	PART NO 172814 REV



- 11. ADD PIPE WRAP (LADDER SCRAP) INSULATION HERE OR USE CARPET PAD (SCRAP) 075233-06-000.
 - 10. LABEL THE HOT AND COLD SUPPLY TUBES.
 - 9. TAPE FITTING TO TUBE BEFORE CABINET SET TO PREVENT FITTING FROM MOVING.
 - 8. ATTACH WASHER-PLASTIC 087080-13-CHT WITH TAPE-DOUBLE 123816-03-000 ON BOTTOM SIDE OF FLOOR.
 - 7. ATTACH WASHER-PLASTIC 087080-11-CHT WITH TAPE-DOUBLE 123816-03-000 ON BOTTOM SIDE OF COMPARTMENT.
 - 6. ADD TEFLON TAPE 010405-03-000.
 - 5. ADD TEFLON TAPE 010405-02-000.
 - 4. ADD TEFLON TAPE 010405-01-000.
3. ALL TUBING TO BE SECURED AT 1200 INTERVALS MAXIMUM WITH CLAMP 010495-01-000 AND SCREW 000667-10-12B OR EQUIVALENT.
2. TUBING TO BE INSTALLED WITH SUFFICIENT SLOPE TO PROVIDE DRAINAGE TO NEAREST VALVE.
1. PLASTIC FITTINGS TO BE SEALED WITH SEALANT 084456-01-000.

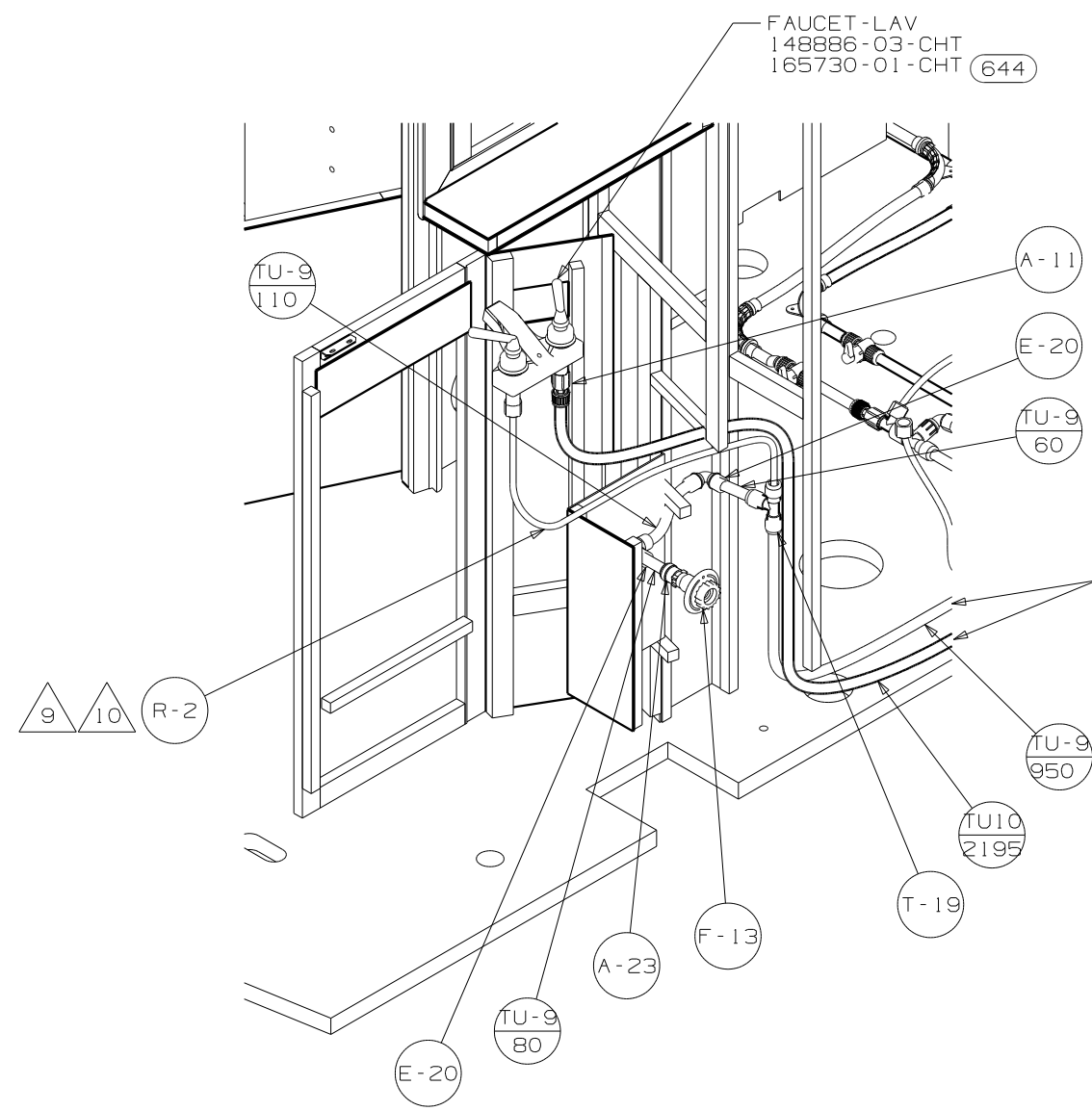
- 644 GREAT ALASKAN RENTAL PACKAGE
- 53B WTR HTR-6GAL ELECTRIC/LP GAS
- 53F WATER HEATER-ELEC. IGNITION
- 53E WATER SYS WINTERIZATION PKG

WINNEBAGO		COPYRIGHT 2010 WINNEBAGO INDUSTRIES, INC.	
DFTN	ORIG. DATE	ALL DIMENSIONS ARE IN MILLIMETERS	
CHKR		FIRST USED	
P.E.		10 224V	
M.E.		UNSPECIFIED TOLERANCES ARE:	
DSNR		WHOLE DIM (X) : 3	
		ONE-PLACE (X.X) :	
		TWO-PLACE (X.XX) :	
		ANGLE :	
		THIRD ANGLE PROJECTION	
DO NOT SCALE DRAWING		REFER TO ES0018 FOR FASTENER TIGHTENING GUIDELINES	
TITLE: WATER SYSTEM INSTL			
SHEET 1 OF 4	PART NO	172815	REV
REF:	1 3/26/2010		

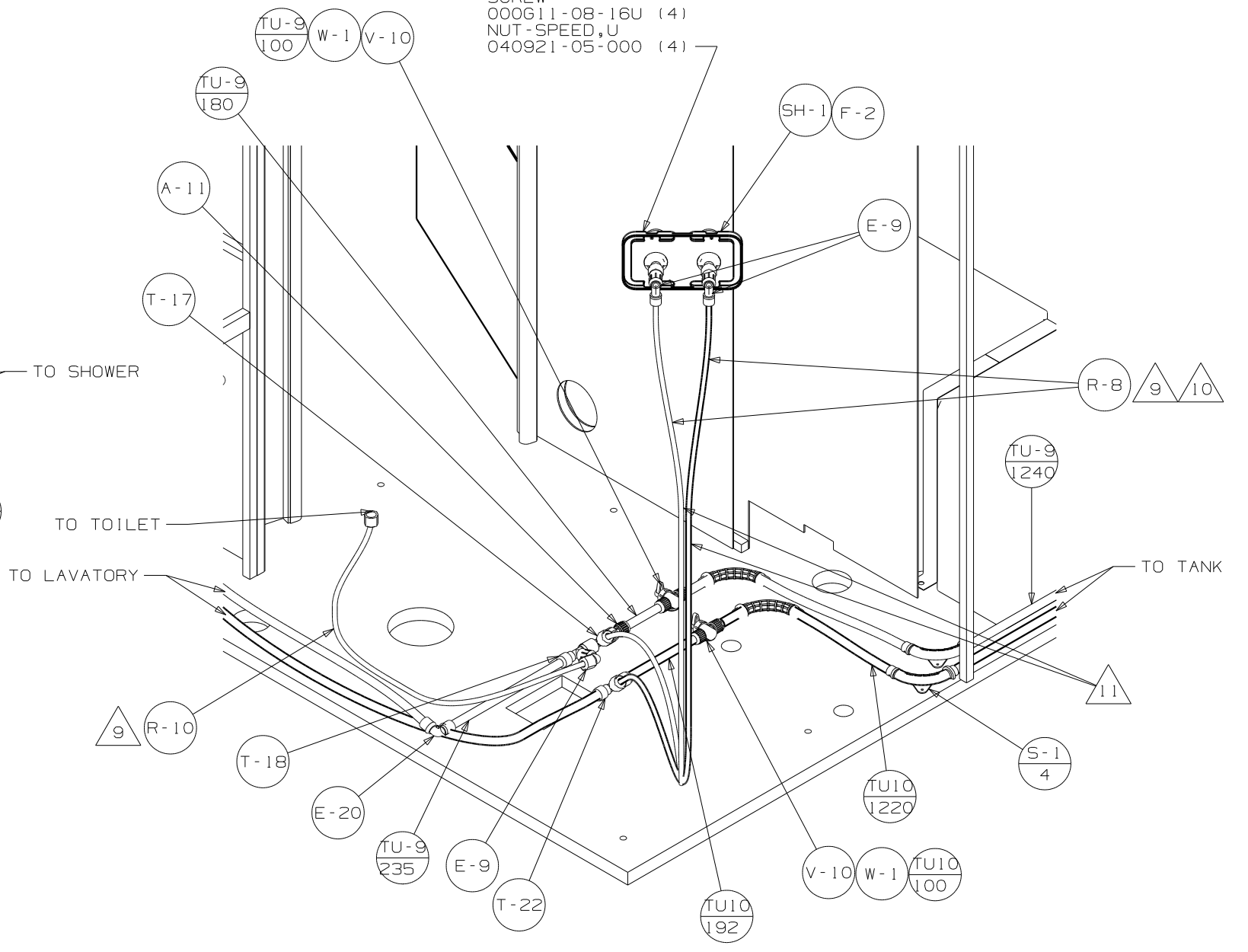
(X-X)
FOR
WATER
CALLOUTS
SEE DWG NO
116230-01-000

NOTES:

- PANEL 167738-02-CHT
- SCREW 000611-08-12U (4)
- COVER 166569-01-CHT
- SCREW 000611-08-16U (4)
- NUT - SPEED,U 040921-05-000 (4)



VIEW A



VIEW B

FIRST USED	10 224V
DO NOT SCALE DRAWING	
TITLE:	WATER SYSTEM INSTL
SHEET 2	PART NO 172815 REV

TANK-WATER, 36 GAL
156167-05-000
STRAP-TANK, WATER
118994-10-CHT (2)

TO SHOWER, LAV FAUCET
AND TOILET

TO SHOWER
LAV FAUCET

TO WATER HEATER
AND GALLEY FAUCET

FROM WATER HEATER
AND GALLEY FAUCET

ELBOW
132781-01-000
TUBE
074462-01-000
(100)

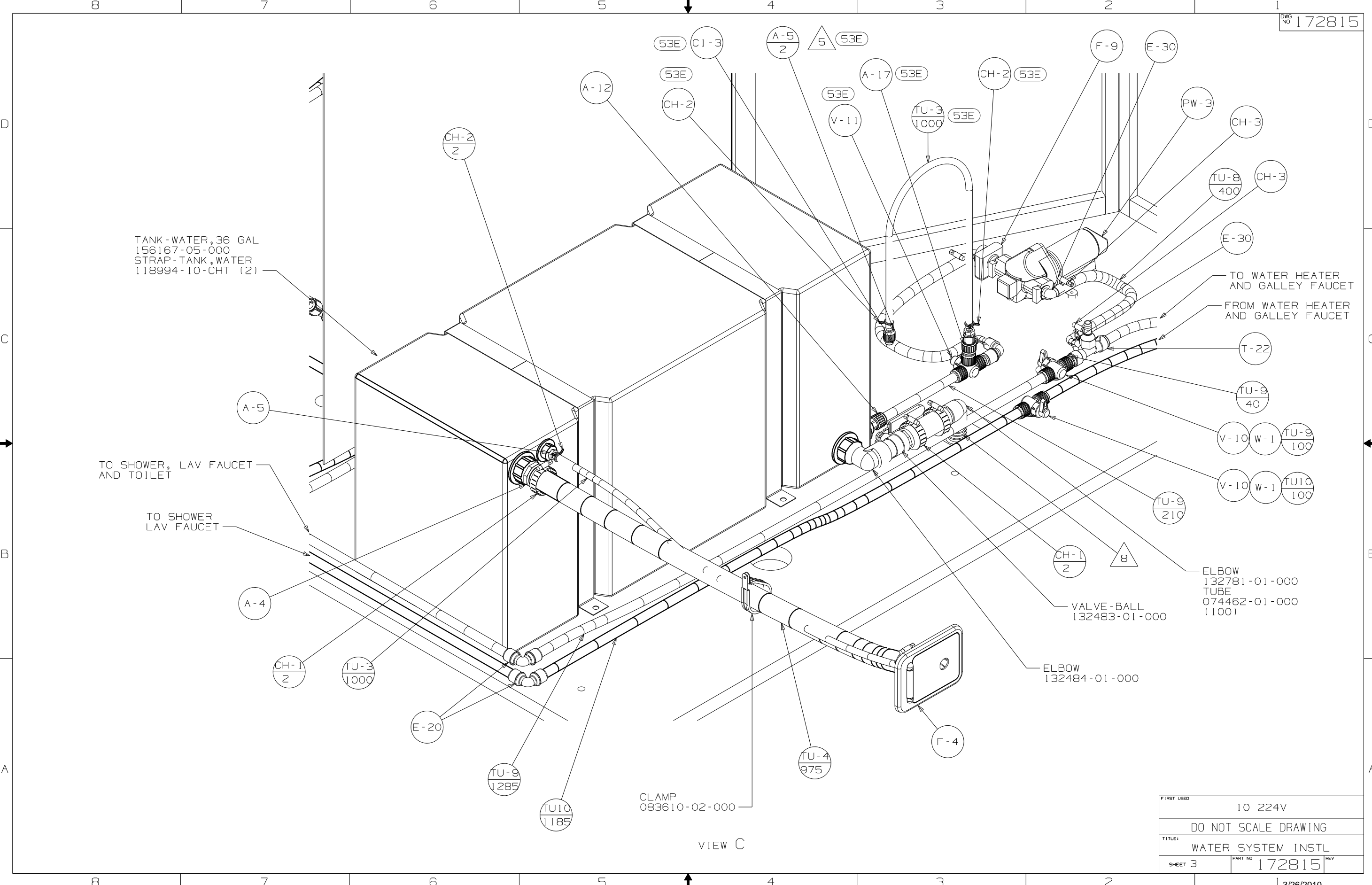
VALVE-BALL
132483-01-000

ELBOW
132484-01-000

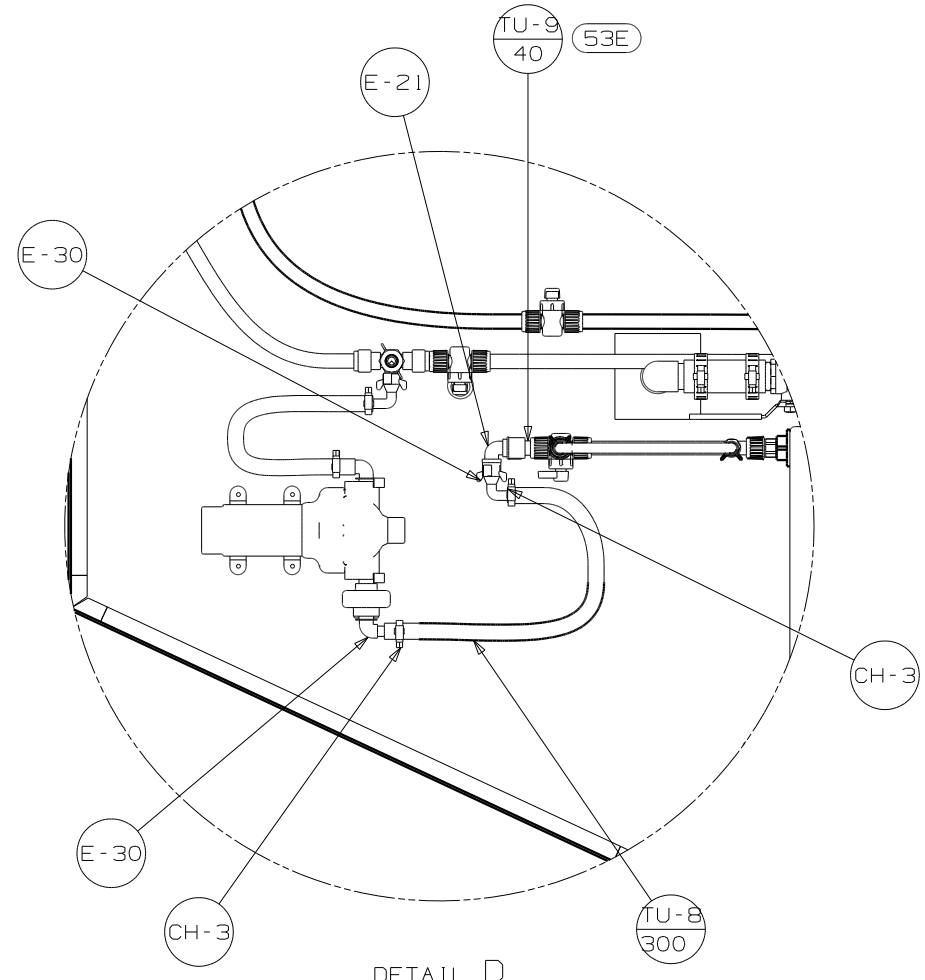
CLAMP
083610-02-000

FIRST USED	10 224V
DO NOT SCALE DRAWING	
TITLE:	WATER SYSTEM INSTL
SHEET 3	PART NO 172815 REV

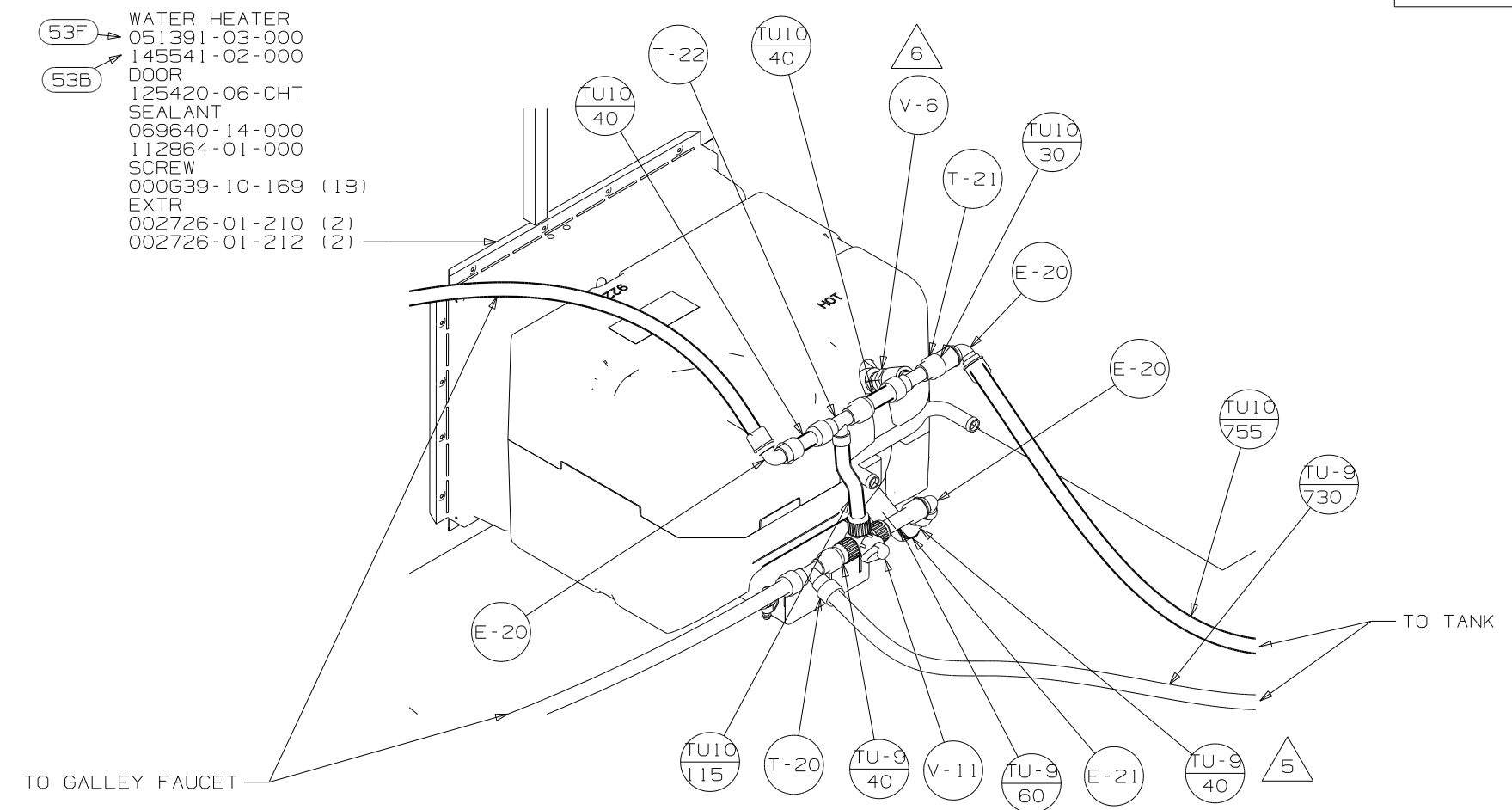
VIEW C



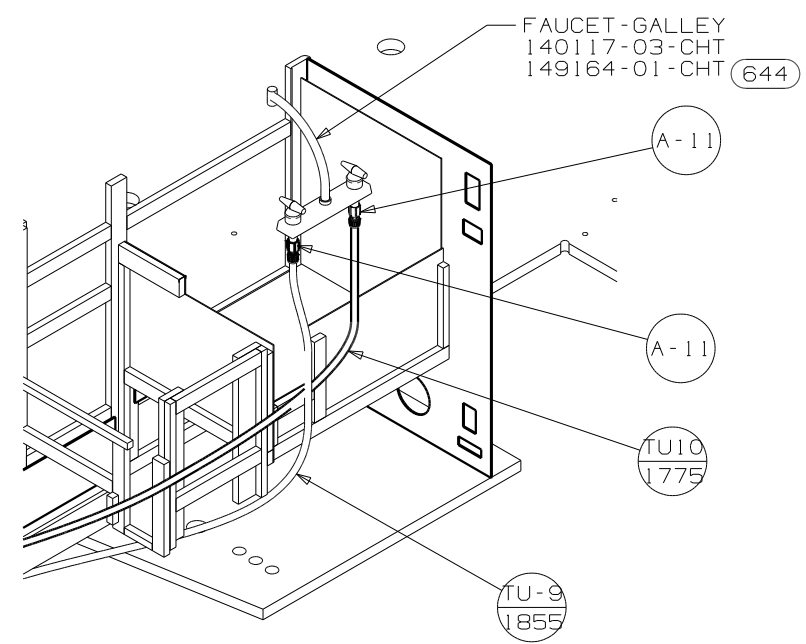
- 53F WATER HEATER
051391-03-000
145541-02-000
- 53B DOOR
125420-06-CHT
SEALANT
069640-14-000
112864-01-000
SCREW
000G39-10-169 (18)
EXTR
002726-01-210 (2)
002726-01-212 (2)



DETAIL D



VIEW E



VIEW F

FIRST USED	10 224V
TITLE	DO NOT SCALE DRAWING
SHEET 4	PART NO 172815 REV
1 3/26/2010	