

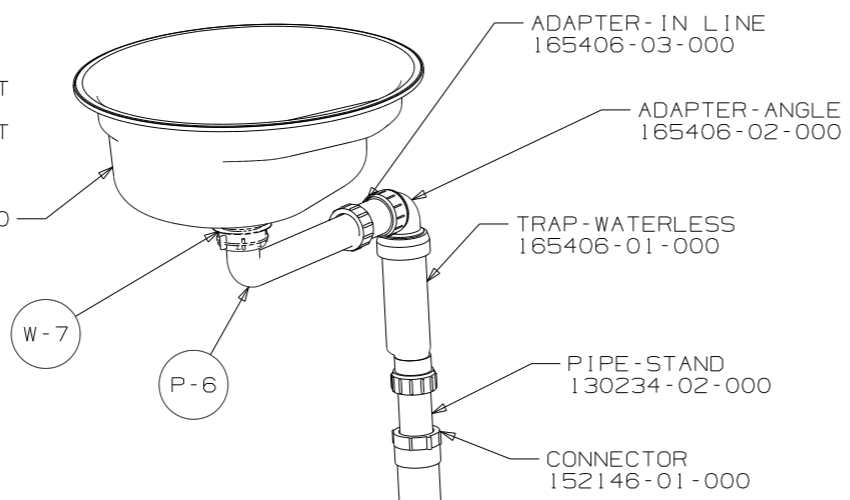
- 7. SECURE VENT PIPE WITH CLAMP 62401-02-000.
- 6. VENT PIPE MUST PROJECT 51 MIN AND 64 MAX ABOVE ROOF FOR PROPER FIT AND FUNCTION.
- 5. SEAL AROUND SHOWER WITH SILICONE.
- 4. SECURE DRAINAGE PIPES TO CABINET USING WIRE TIE 108046-02-000, AND SCREW G67-10-12B AT INTERVALS OF NOT MORE THAN 4 FEET APART.
- 3. ALL PIPE AND FITTINGS TO BE ASSEMBLED WITH SOLVENT 4020-01-000 (USA), 4020-02-000 (CAN)
- 2. SLOPE OF TRAP ARM MUST BE 6 PER 305 mm.
- 1. SLOPE OF HORIZONTAL PIPING TO BE MINIMUM OF 3 PER 305 mm.

NOTES:

<b>WINNEBAGO</b>		COPYRIGHT 2009 WINNEBAGO INDUSTRIES, INC.	
DFTR	ORIG. DATE	ALL DIMENSIONS ARE IN MILLIMETERS	
CHKR		FIRST USED	
P.E.		08 BV 1170	
M.E.		UNSPECIFIED TOLERANCES ARE:	
DSNR		MATERIAL:	
		WHOLE DIM (X)	: 3
		ONE-PLACE (X.X)	: 1.5
		TWO-PLACE (X.XX)	: 0.50
		ANGLE	: 1°
THIRD ANGLE PROJECTION		DO NOT SCALE DRAWING	
TITLE: DRAINAGE SYSTEM INSTL			
SHEET 1 OF 5	PART NO	165748	REV
REF:	1 7/31/2009		

(X-X)  
FOR  
DRAINAGE  
CALLOUTS  
SEE DWG NO  
116229-01-000

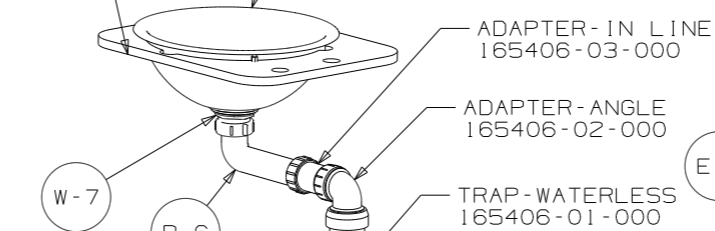
SINK-GALLEY  
165378-01-CHT  
FAUCET  
165378-02-CHT  
SEAL  
91255-02-000  
STRAINER  
163659-01-000



VIEW A

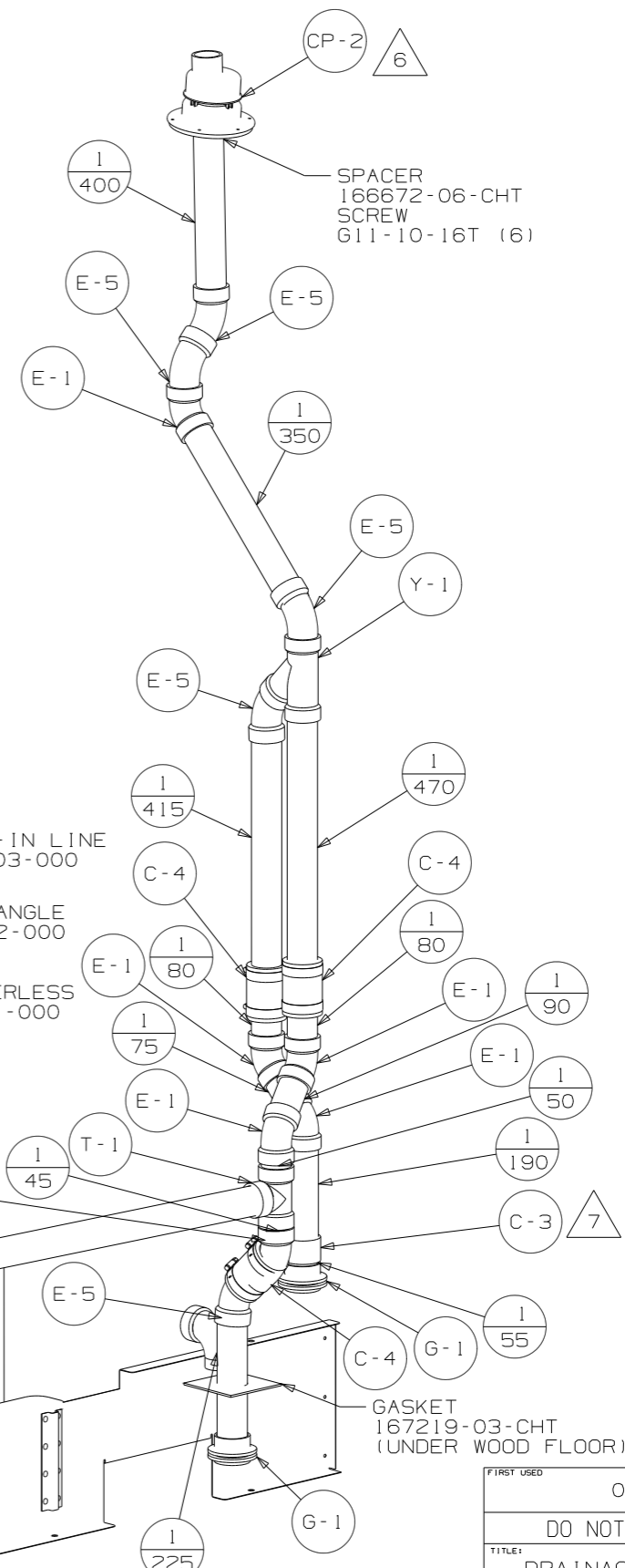
PANEL-SUPPORT SINK  
166297-01-000

SINK-LAV  
151679-01-CHT  
SEAL  
91255-02-000  
STRAINER  
163569-01-000

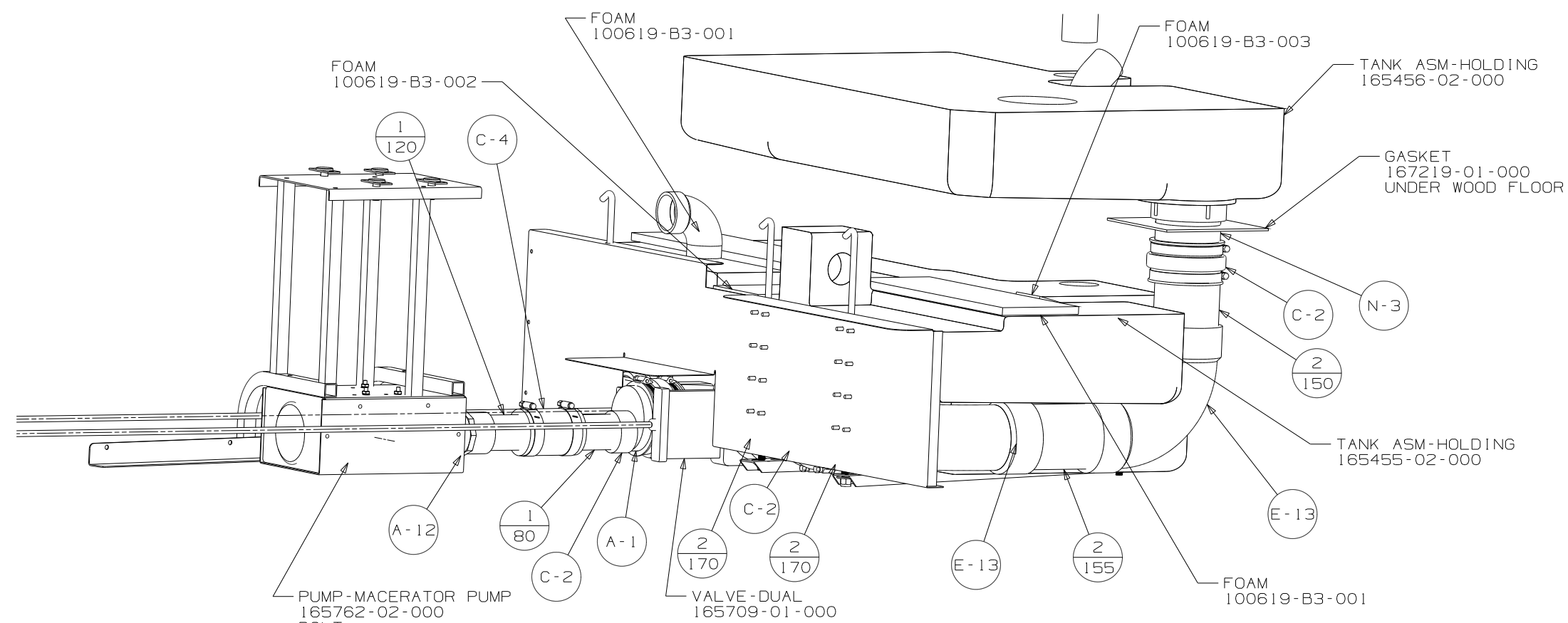


VIEW B

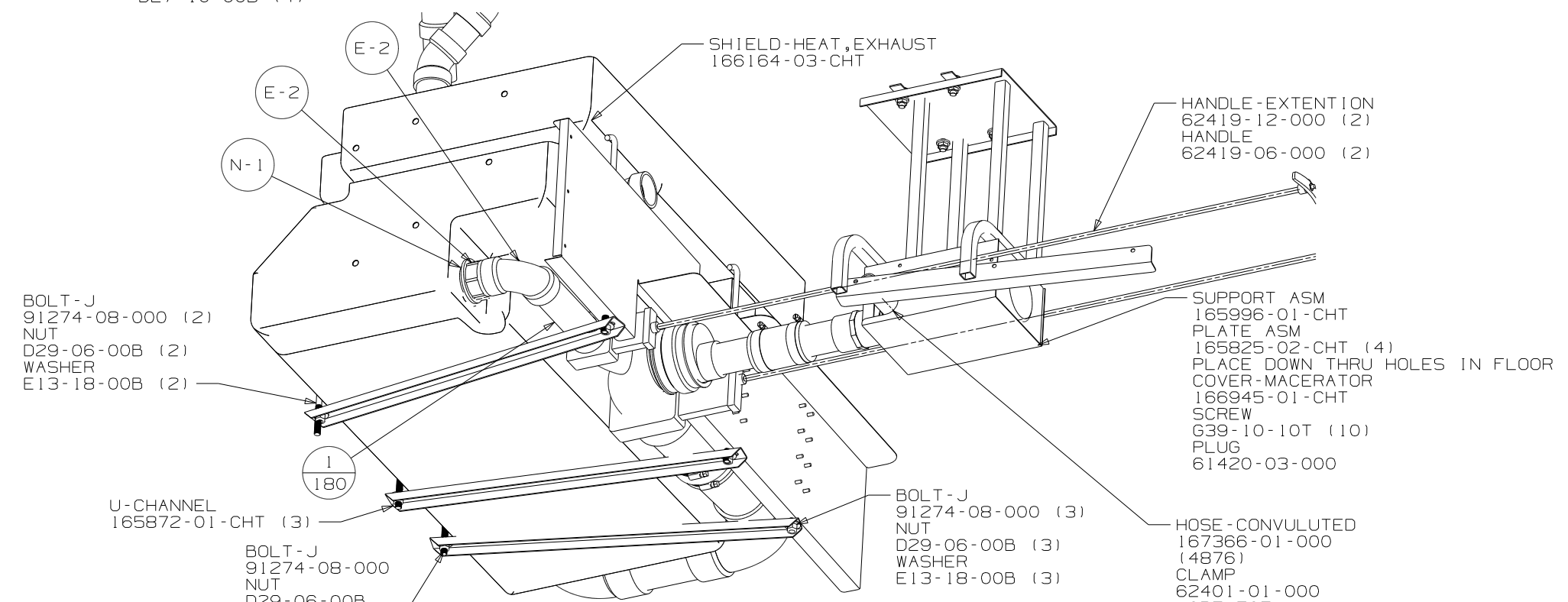
SPACER  
166672-06-CHT  
SCREW  
G11-10-16T (6)



FIRST USED	08 BV 1170
TITLE	DO NOT SCALE DRAWING
TITLE	DRAINAGE SYSTEM INSTL
SHEET 2	PART NO 165748

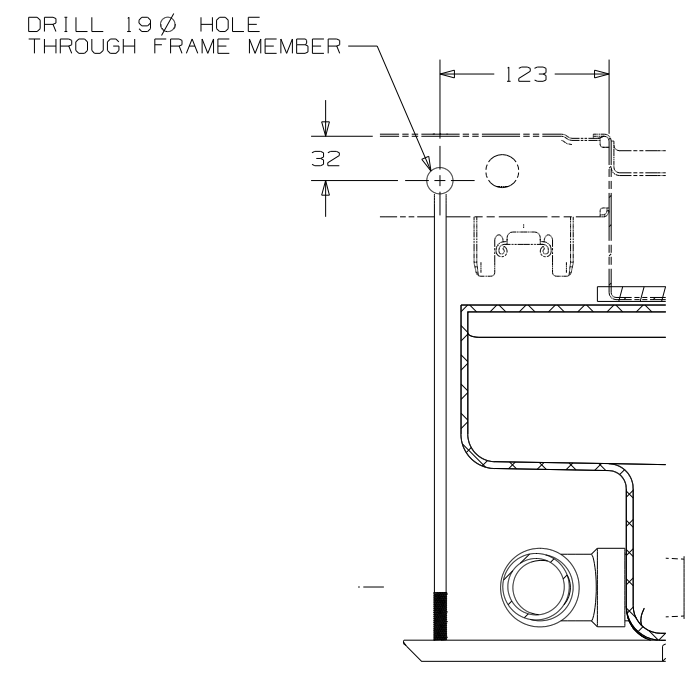
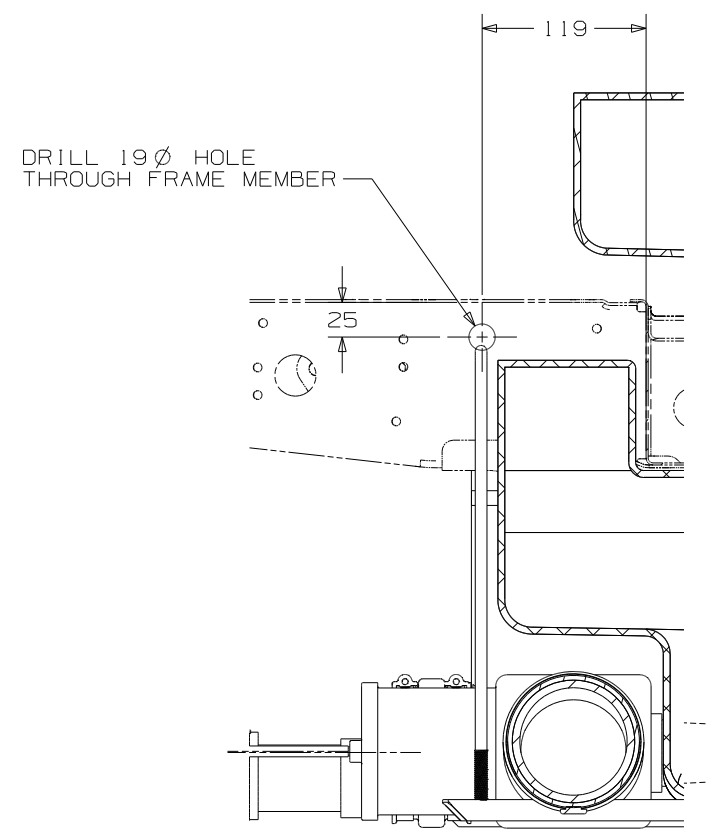
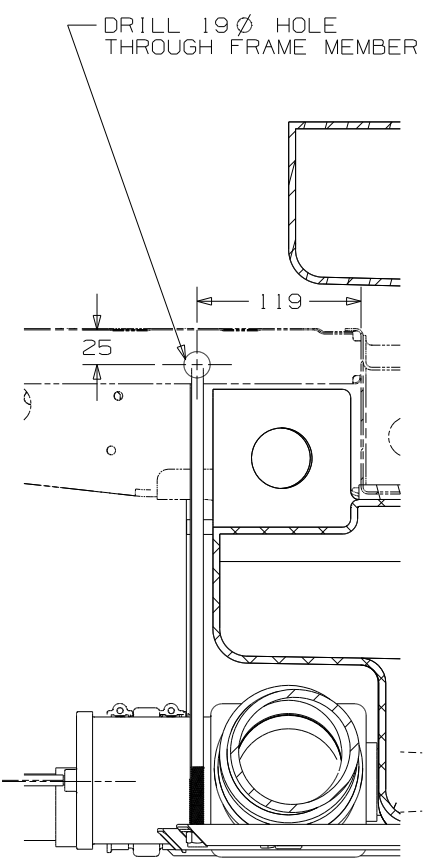
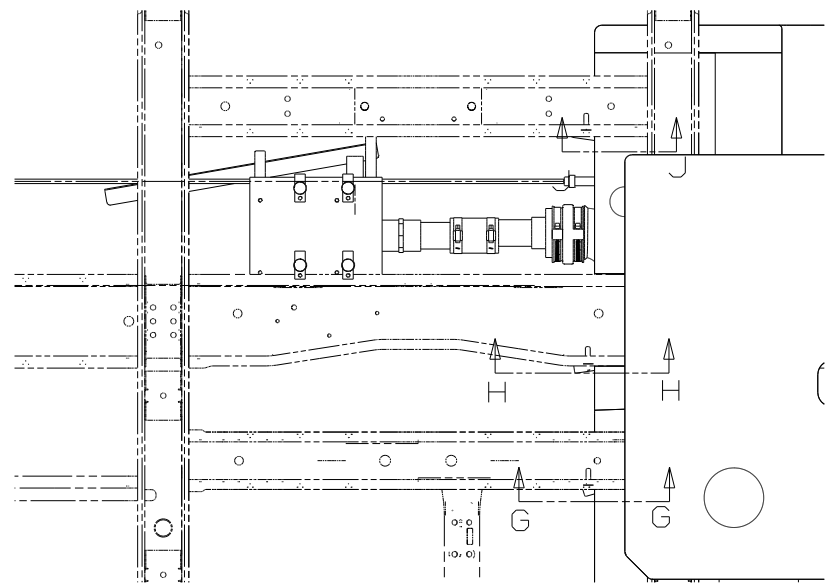
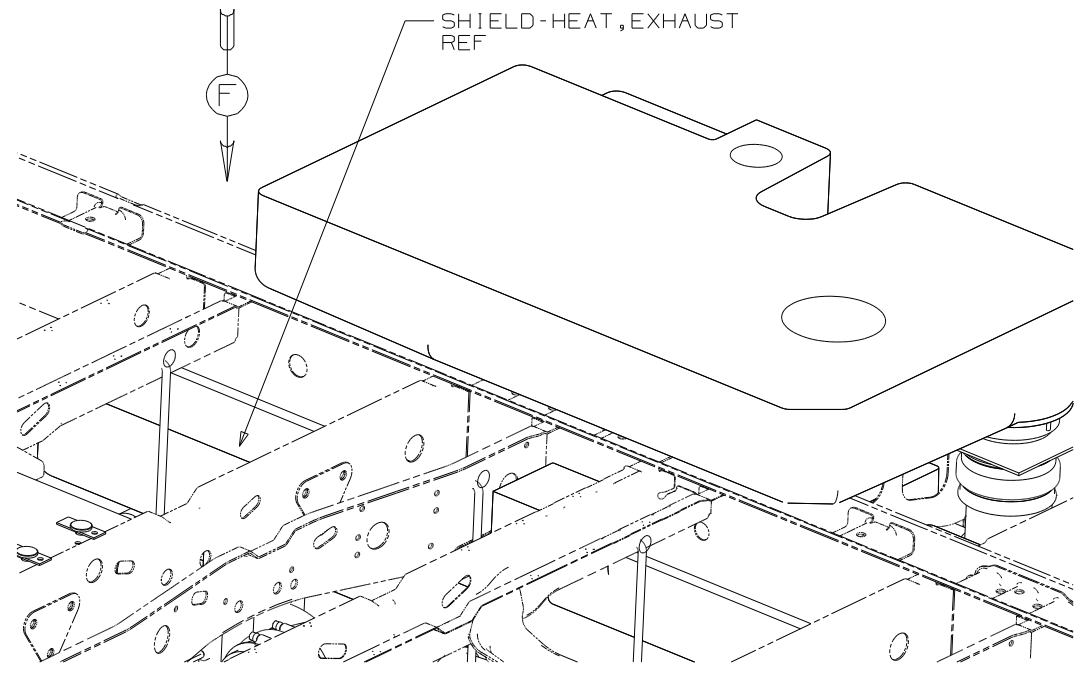


VIEW C

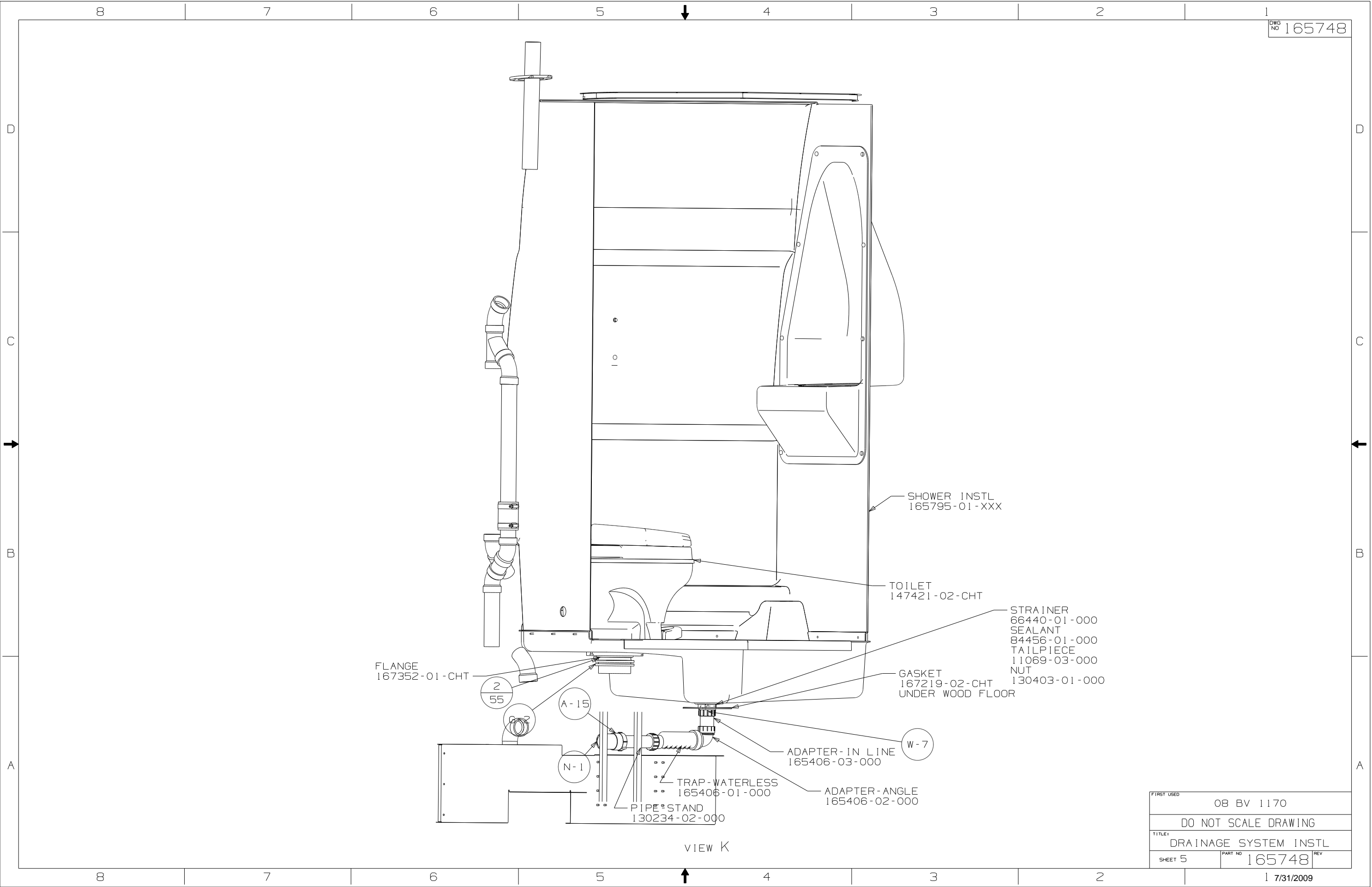


VIEW D

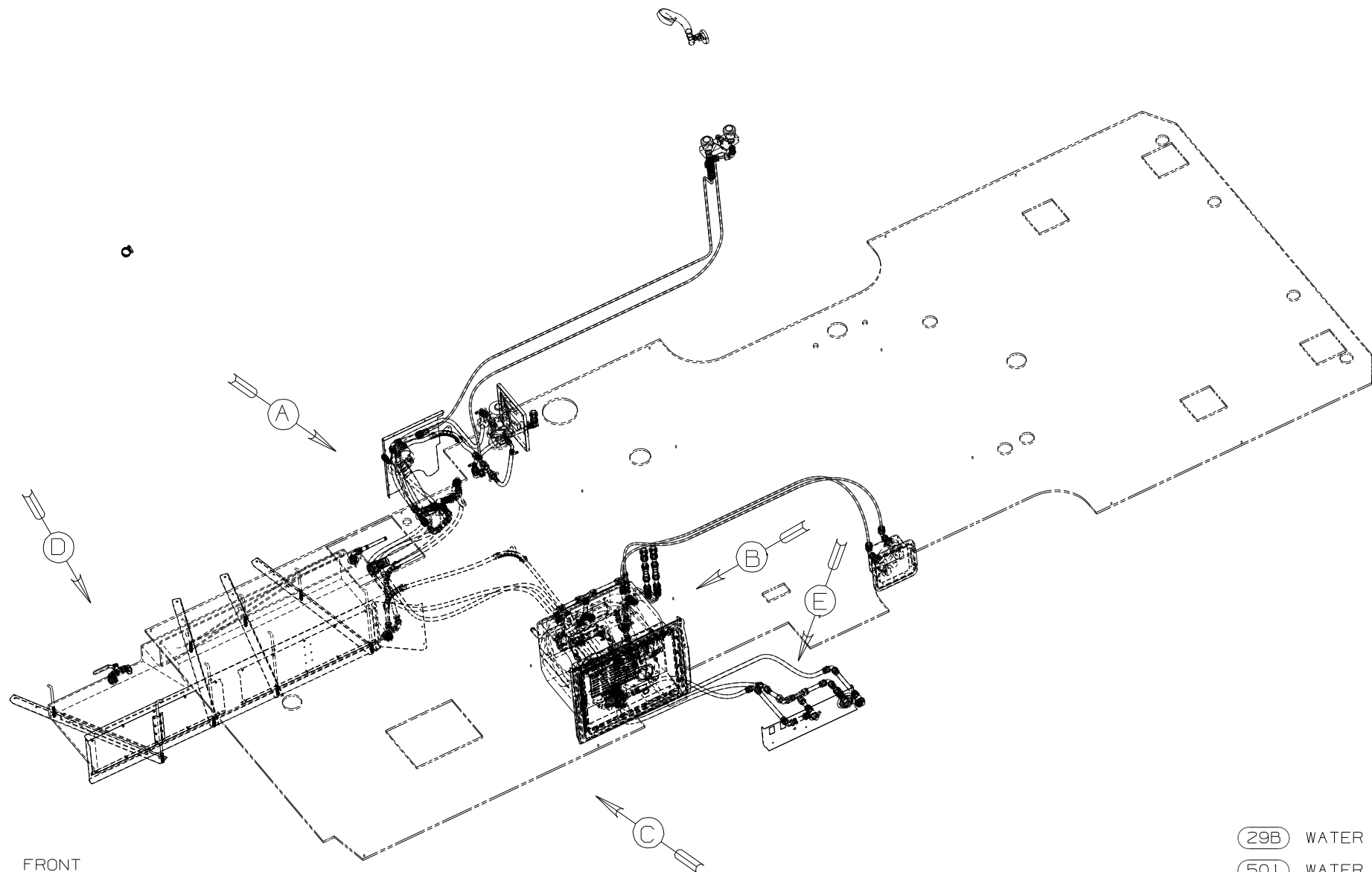
FIRST USED	OB BV 1170
DO NOT SCALE DRAWING	
TITLE	DRAINAGE SYSTEM INSTL
SHEET 3	PART NO 165748 REV



FIRST USED	08 BV 1170
TITLE	DO NOT SCALE DRAWING
	DRAINAGE SYSTEM INSTL
SHEET 4	PART NO 165748 REV



FIRST USED	08 BV 1170	
TITLE	DRAINAGE SYSTEM INSTL	
SHEET 5	PART NO	165748
	REV	1 7/31/2009



FRONT OF COACH

- (29B) WATER PURIFIER
- (501) WATER PURIFIER WITHOUT
- (53F) WATER HEATER-ELEC IGNITION
- (53B) WTR HTR-6 GAL ELEC/LP/GAS

- NOTES:
- △6 ADD TEFLON TAPE 10405-03-000.
  - △5 ADD TEFLON TAPE 10405-02-000.
  - △4 ADD TEFLON TAPE 10405-01-000.
  - 3. ALL TUBING TO BE SECURED AT 1200 INTERVALS MAXIMUM WITH CLAMP 10495-01-000 AND SCREW G67-10-12B OR EQUIVALENT.
  - 2. TUBING TO BE INSTALLED WITH SUFFICIENT SLOPE TO PROVIDE DRAINAGE TO NEAREST VALVE.
  - 1. PLASTIC FITTINGS TO BE SEALED WITH SEALANT 84456-01-000.

<b>WINNEBAGO</b>		COPYRIGHT 2009 WINNEBAGO INDUSTRIES, INC.	
DFTR	ORIG. DATE	ALL DIMENSIONS ARE IN MILLIMETERS	
CHKR		FIRST USED	
P.E.		09 BV1170	
M.E.		UNSPECIFIED TOLERANCES ARE:	
DSNR		MATERIAL:	
		WHOLE DIM (X)	: 3
		ONE-PLACE (X.X)	: 1.5
		TWO-PLACE (X.XX)	: 0.50
		ANGLE	: 1°
THIRD ANGLE PROJECTION		DO NOT SCALE DRAWING	
TITLE: WATER SYSTEM INSTL			
SHEET 1 OF 4	PART NO	165751	REV
REF:	1 11/18/2009		

(X-X)  
FOR  
WATER  
CALLOUTS  
SEE DWG NO  
116230-01-000

SHOWER HEAD-W/HOSE & BRKT  
129390-04-CHT

SHOWER-EXTERIOR  
166291-01-CHT  
HOSE ASM-W/SPRAYER  
166291-02-000

FAUCET-LAV  
148886-02-CHT  
GASKET-FAUCET  
91253-01-000

VALVE  
167737-01-000 (2)

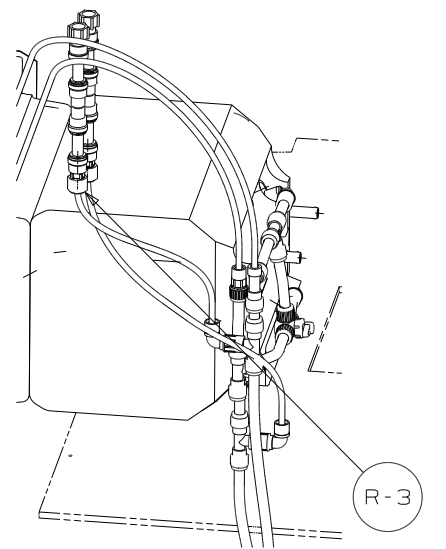
WATER HEATER  
51391-03-000 (53F)  
145541-02-000 (53B)  
DOOR  
125420-06-CHT  
CABLE  
76767-03-000  
SCREW  
639-10-169 (16)  
FLANGE-WATER HEATER  
166386-01-CHT  
ADAPTER-BRASS  
136333-01-000

PANEL-WATER PUMP  
149477-02-CHT  
SCREW  
G39-08-16U (4)  
FOAM  
140364-01-CHT  
SCREW  
G39-08-24U (4)

WASHER-PLASTIC  
87080-14-CHT

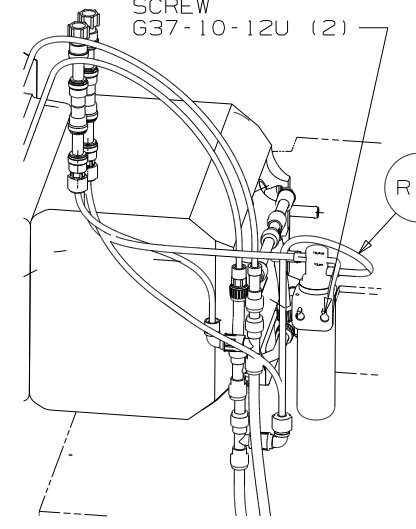
PANEL  
166584-01-CHT  
SCREW  
G67-10-10U (6)

FILL-GRAVITY  
166288-01-CHT

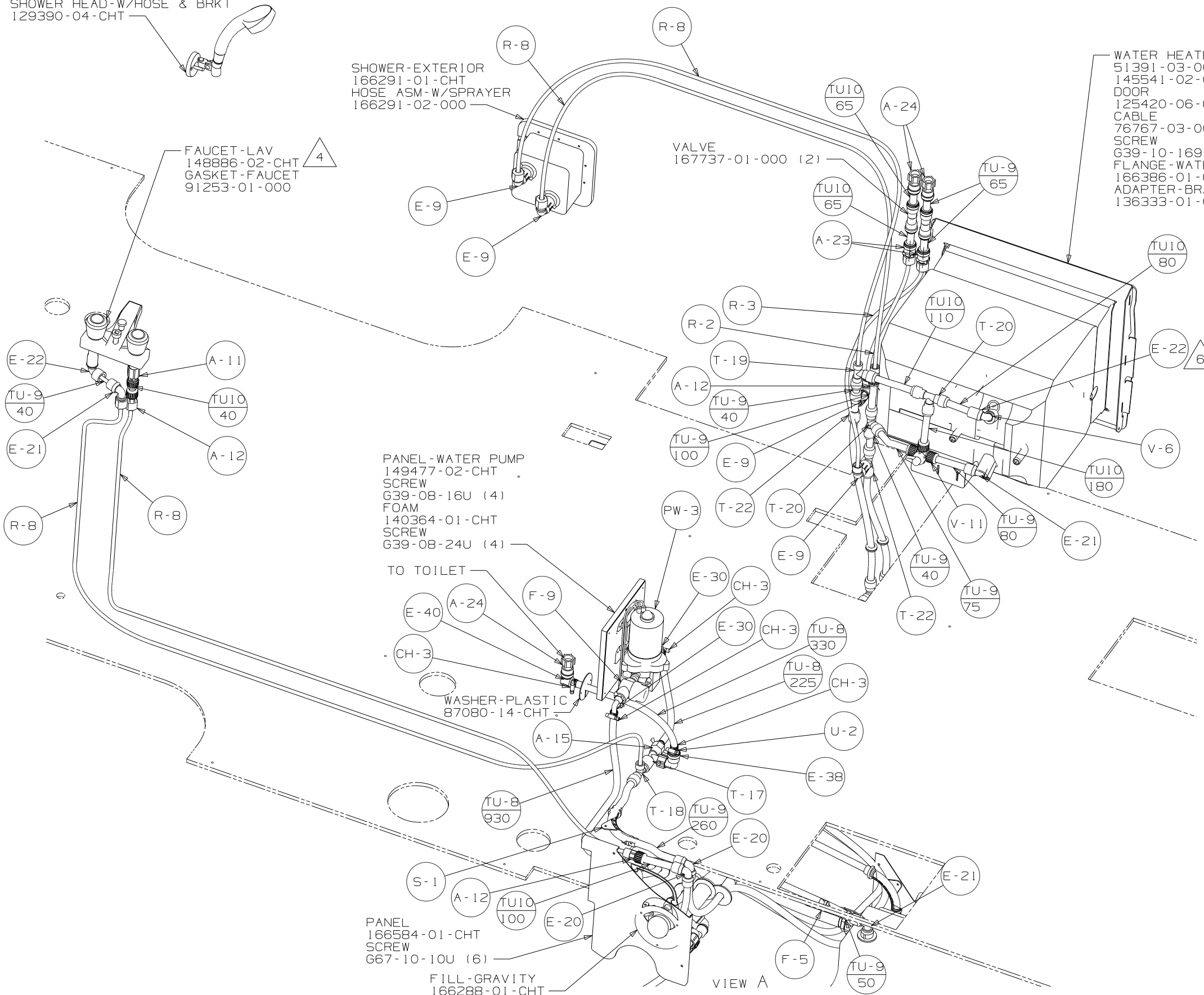


VIEW B  
(501)

FILTER KIT KIT  
160946-03-000  
SCREW  
G37-10-12U (2)

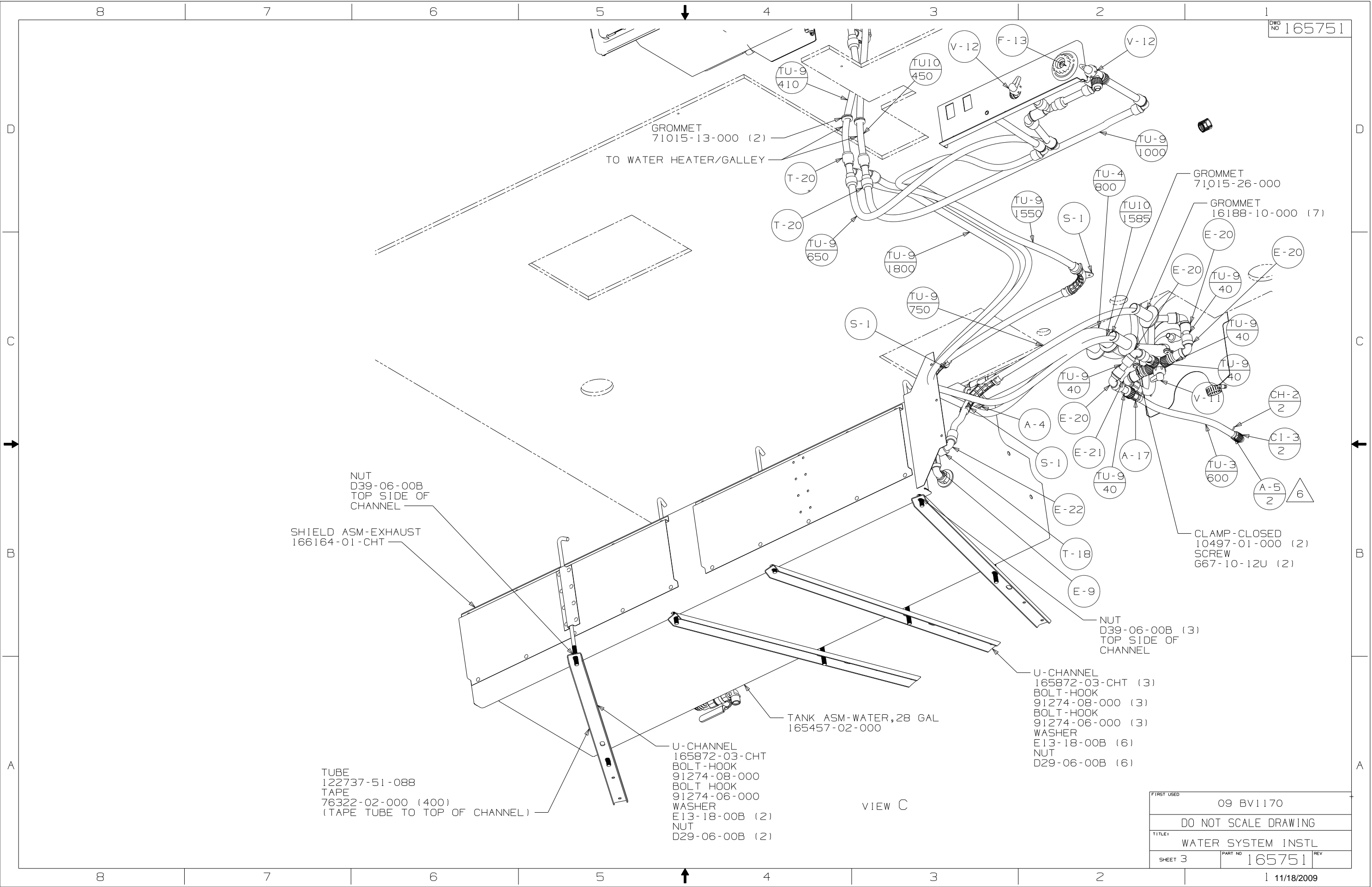


VIEW B  
(29B)



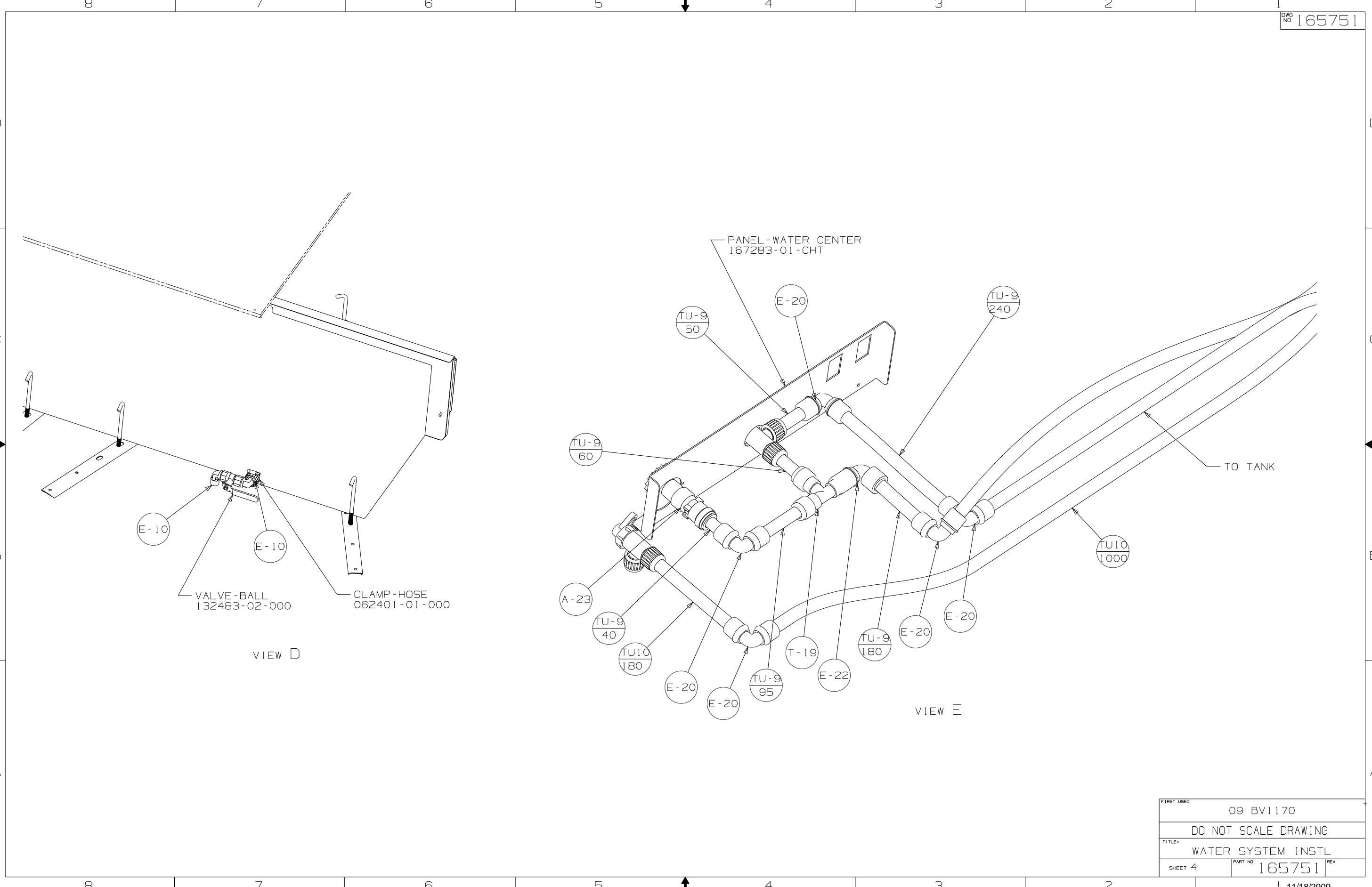
VIEW A

FIRST USED	09 BV1170
TITLE	DO NOT SCALE DRAWING
TITLE	WATER SYSTEM INSTL
SHEET 2	PART NO 165751 REV
	11/18/2009



FIRST USED	09 BV1170	
TITLE:	DO NOT SCALE DRAWING	
TITLE:	WATER SYSTEM INSTL	
SHEET 3	PART NO	165751
REV		





VIEW D

VIEW E

FIRST USED	09 BV1170		
TITLE:	DO NOT SCALE DRAWING		
	WATER SYSTEM INSTL		
SHEET 4	PART NO	165751	REV