

FRONT  
OF  
COACH

- (1B1) CODES/STANDARDS USA
- (265) CODES/STDS-CSA, CMVSS
- (54E) WASHER DRYER
- (21M) WASHER/DRYER PREP
- (214) DISHWASHER DRAWER STYLE
- (215) DISHWASHER WITHOUT

- NOTES:
- 6 USE SMOOTH PLUMBERS PUTTY 167459-01-000 TO SEAL STRAINER (0.2 PER STRAINER).
  - 5. SEAL AROUND SHOWER WITH SILICONE.
  - 4 VENT PIPE MUST PROJECT 51 MIN AND 64 MAX ABOVE ROOF FOR PROPER FIT AND FUNCTION.
  - 3. ALL PIPE AND FITTINGS TO BE ASSEMBLED WITH SOLVENT 4020-01-000 (US), 4020-02-000 (CAN).
  - 2. SLOPE OF TRAP ARM MUST BE 6 PER 305 mm.
  - 1. SLOPE OF HORIZONTAL PIPING TO BE MIN 3 PER 305 mm.

(X-X)  
FOR  
DRAINAGE  
CALLOUTS  
SEE DWG NO  
116229-01-000

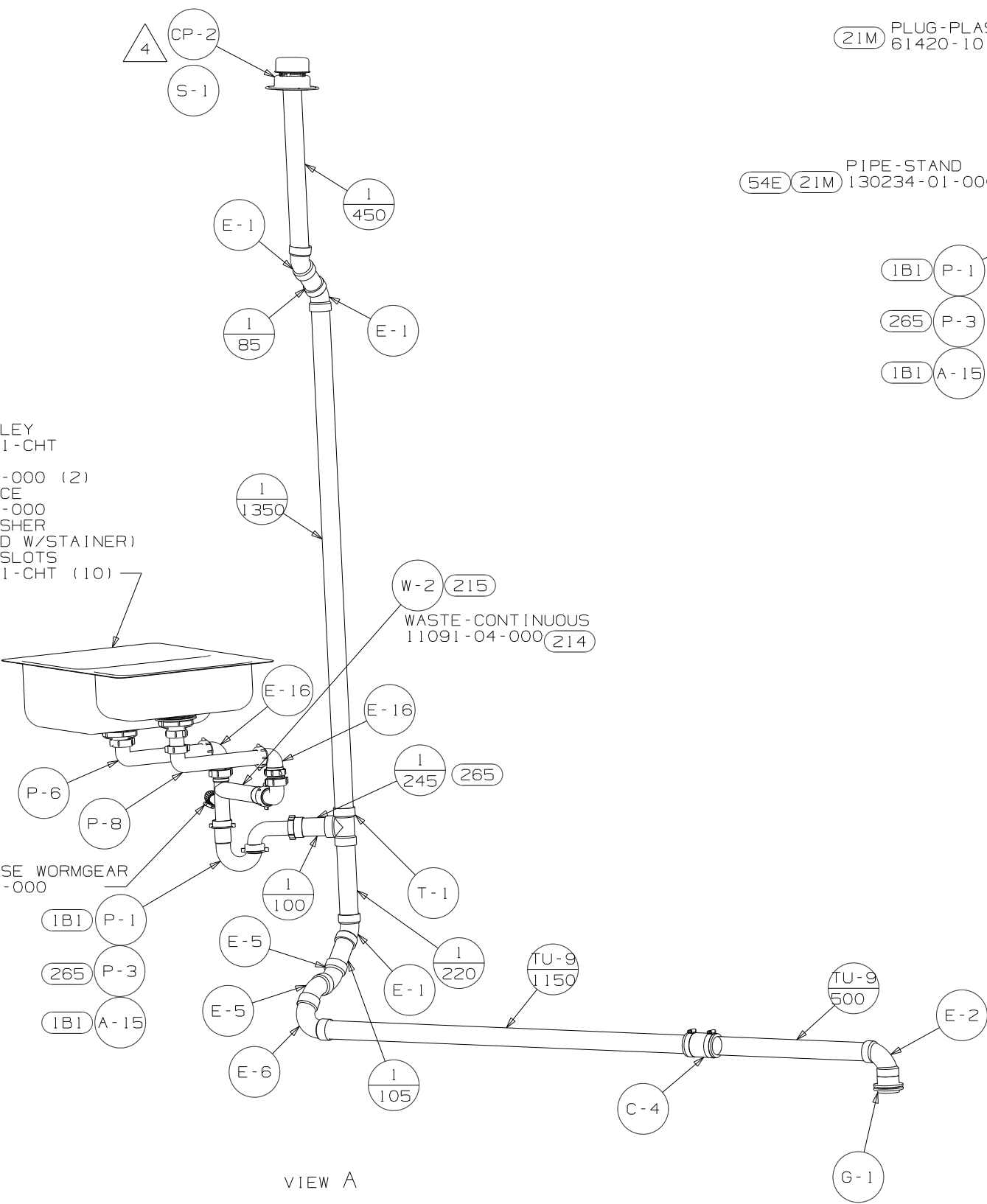
<b>WINNEBAGO</b>		COPYRIGHT 2008 WINNEBAGO INDUSTRIES, INC.	
DFTB	ORIG. DATE	ALL DIMENSIONS ARE IN MILLIMETERS	
CHKR		FIRST USED	
P.E.		09 S40TD	
M.E.		UNSPECIFIED TOLERANCES ARE:	
DSNR		MATERIAL:	
		WHOLE DIM (X)	: 3
		ONE-PLACE (X.X)	: 1.5
		TWO-PLACE (X.XX)	: 0.50
		ANGLE	: 1°
THIRD ANGLE PROJECTION		DO NOT SCALE DRAWING	
TITLE: DRAINAGE SYSTEM INSTL			
SHEET 1 OF 4	PART NO	166975	REV
REF:	12/5/2008		

SINK-GALLEY  
 144445-01-CHT  
 STRAINER  
 92303-01-000 (2)  
 TAIL PIECE  
 11069-03-000  
 NUT & WASHER  
 (SUPPLIED W/STAINER)  
 ANGLE-W/SLOTS  
 140002-01-CHT (10)

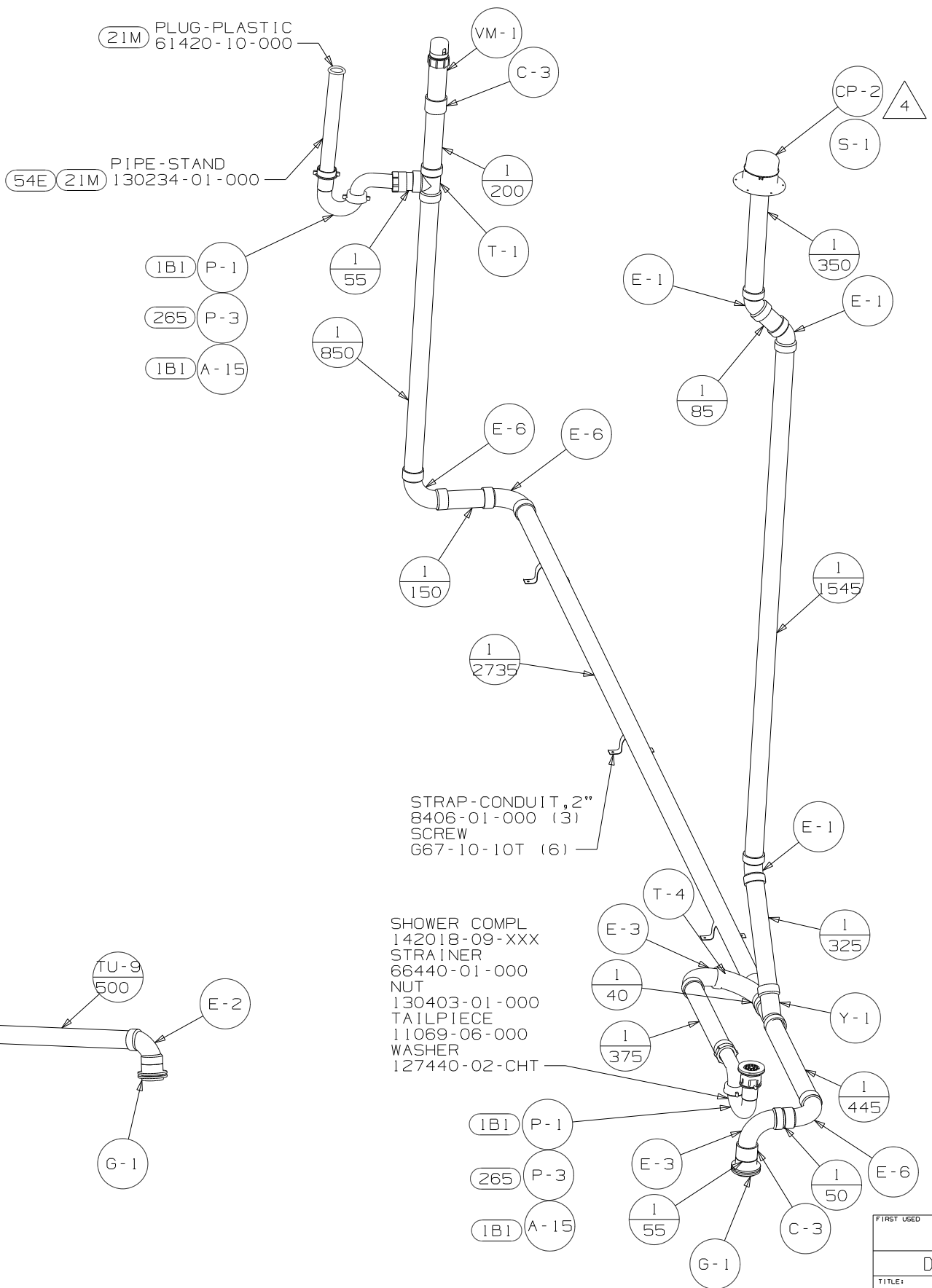
WASTE-CONTINUOUS  
 11091-04-000 (214)

STRAP-CONDUIT, 2"  
 8406-01-000 (3)  
 SCREW  
 667-10-10T (6)

SHOWER COMPL  
 142018-09-XXX  
 STRAINER  
 66440-01-000  
 NUT  
 130403-01-000  
 TAILPIECE  
 11069-06-000  
 WASHER  
 127440-02-CHT



VIEW A

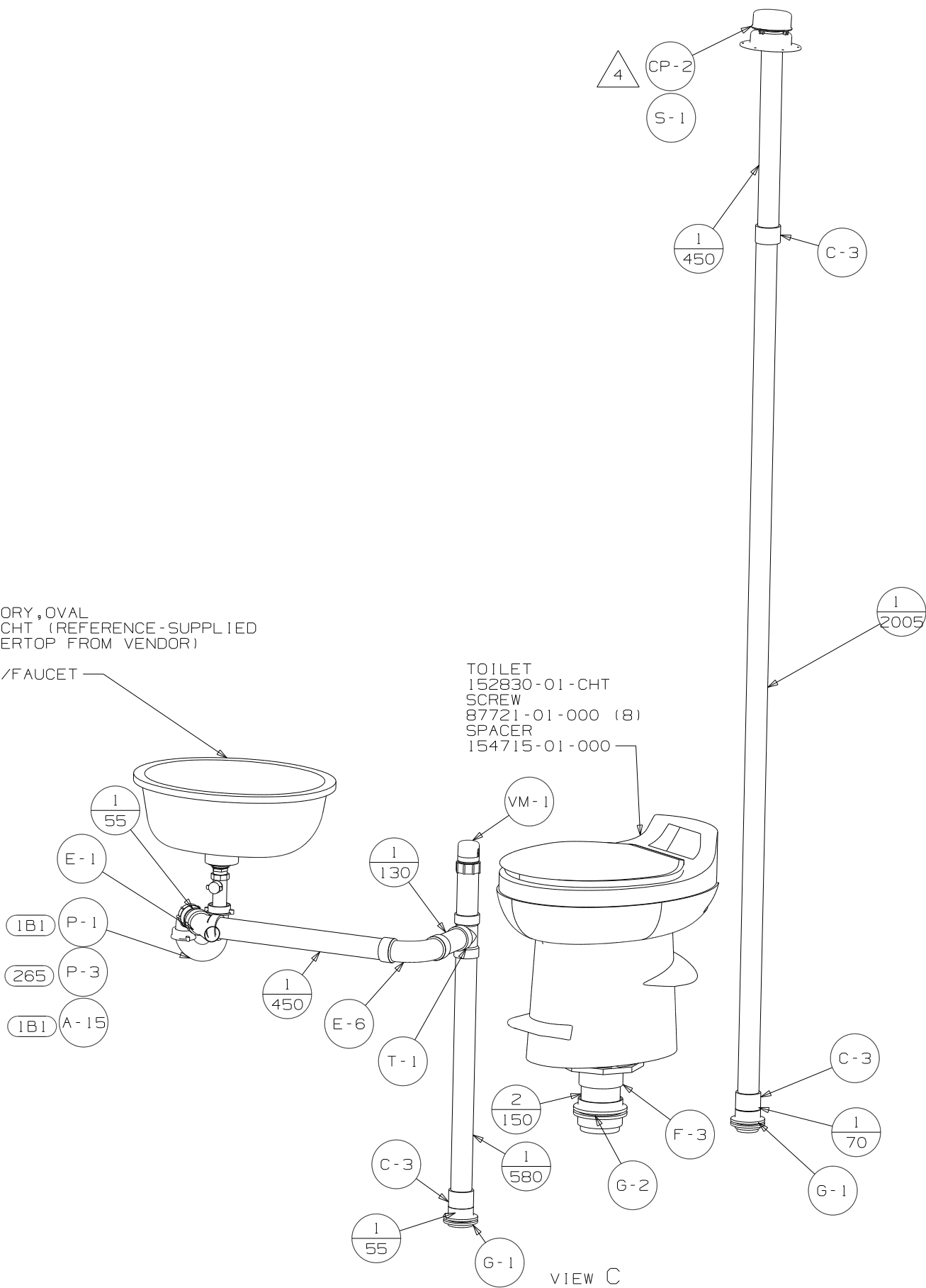


VIEW B

FIRST USED	09 S40TD	
DO NOT SCALE DRAWING		
TITLE:	DRAINAGE SYSTEM INSTL	
SHEET 2	PART NO	166975
REV		

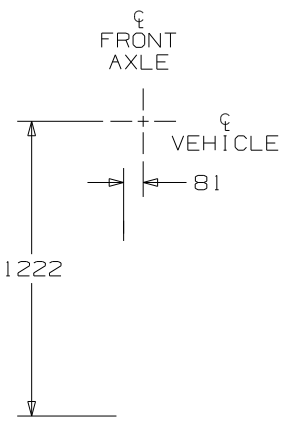
SINK - LAVATORY, OVAL  
113539-02-CHT (REFERENCE - SUPPLIED  
WITH COUNTERTOP FROM VENDOR)  
WASTE ASM  
SUPPLIED W/FAUCET

TOILET  
152830-01-CHT  
SCREW  
87721-01-000 (8)  
SPACER  
154715-01-000



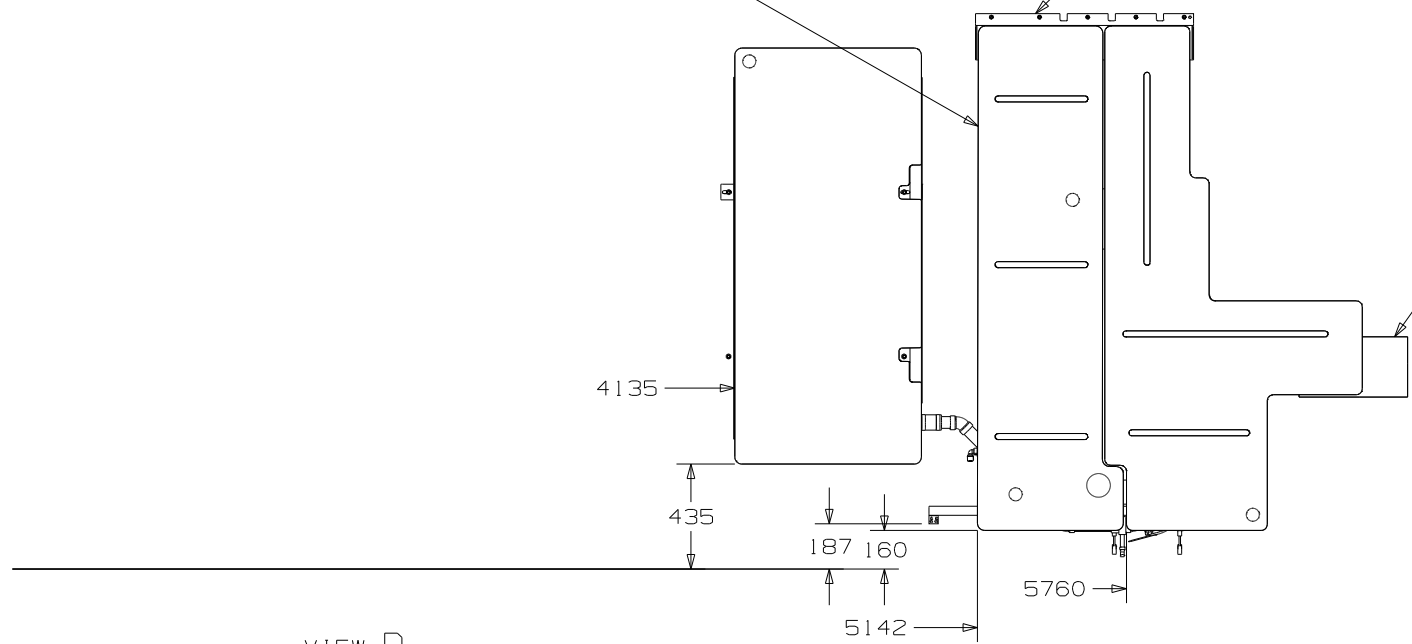
VIEW C

FIRST USED	09 S40TD	
TITLE:	DO NOT SCALE DRAWING	
SHEET 3	PART NO	166975
	REV	12/5/2008



TANK-HOLDING, 52 GAL, BLK, FRT 163062-02-000  
BRACKET-ASM TANK 158968-02-CHT

PLATFORM-HOLDING TANK 126714-10-000



VIEW D

FITTING-HUB, 3" CAP 155752-01-000

SUPPORT ASM-HOLDING TANK 163110-01-CHT

TANK-HOLDING, 67 GAL, GRAY, RR 163063-02-000

TANK ASM-HOLDING 163061-02-000

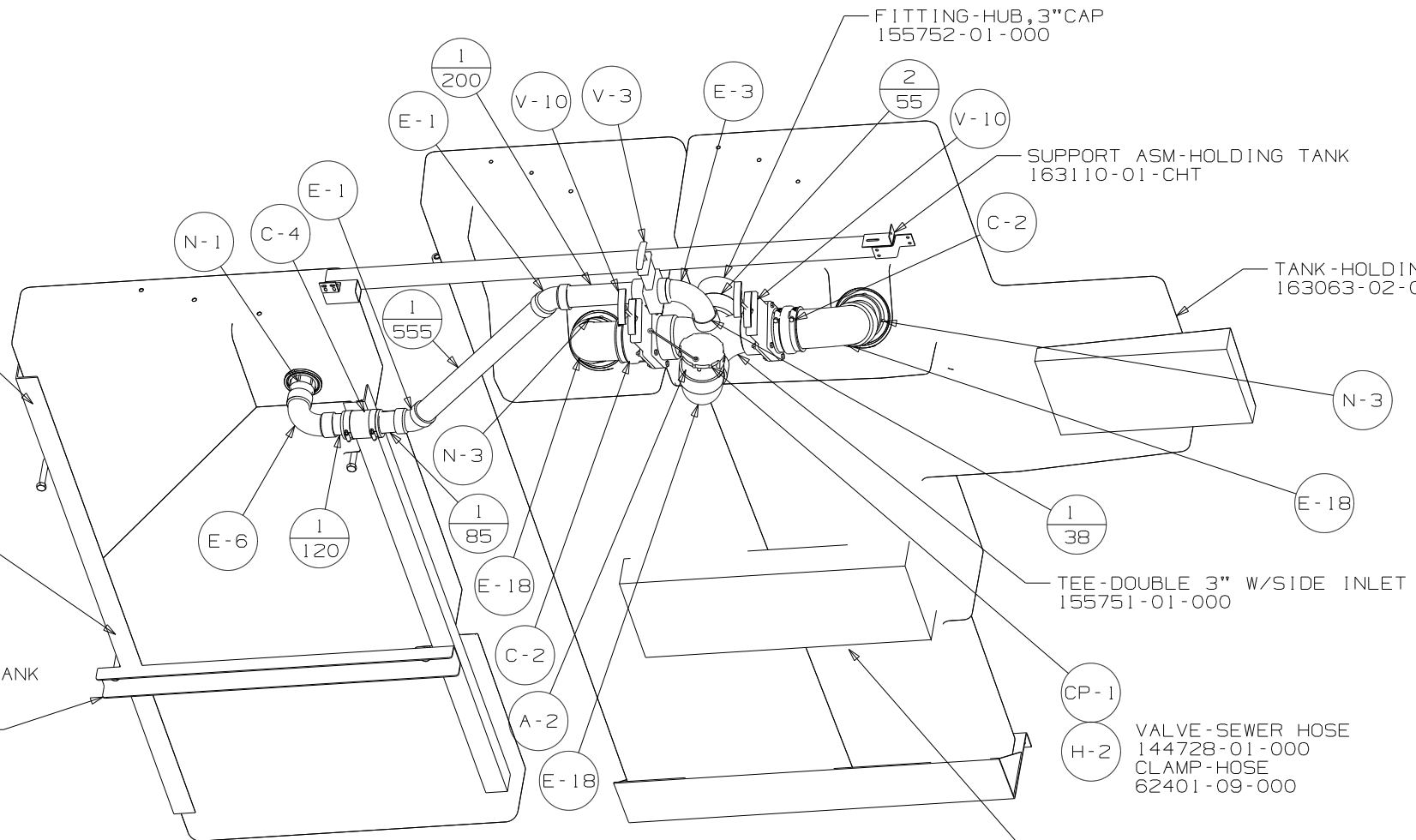
STL-ANGLE 130923-01-500

FRAME-ASM-SUPPORT, TANK 166601-01-CHT  
BOLT 106956-03-000 (4)

TEE-DOUBLE 3" W/SIDE INLET 155751-01-000

CP-1 VALVE-SEWER HOSE 144728-01-000  
H-2 CLAMP-HOSE 62401-09-000

PLATFORM-HOLDING TANK 126714-49-000

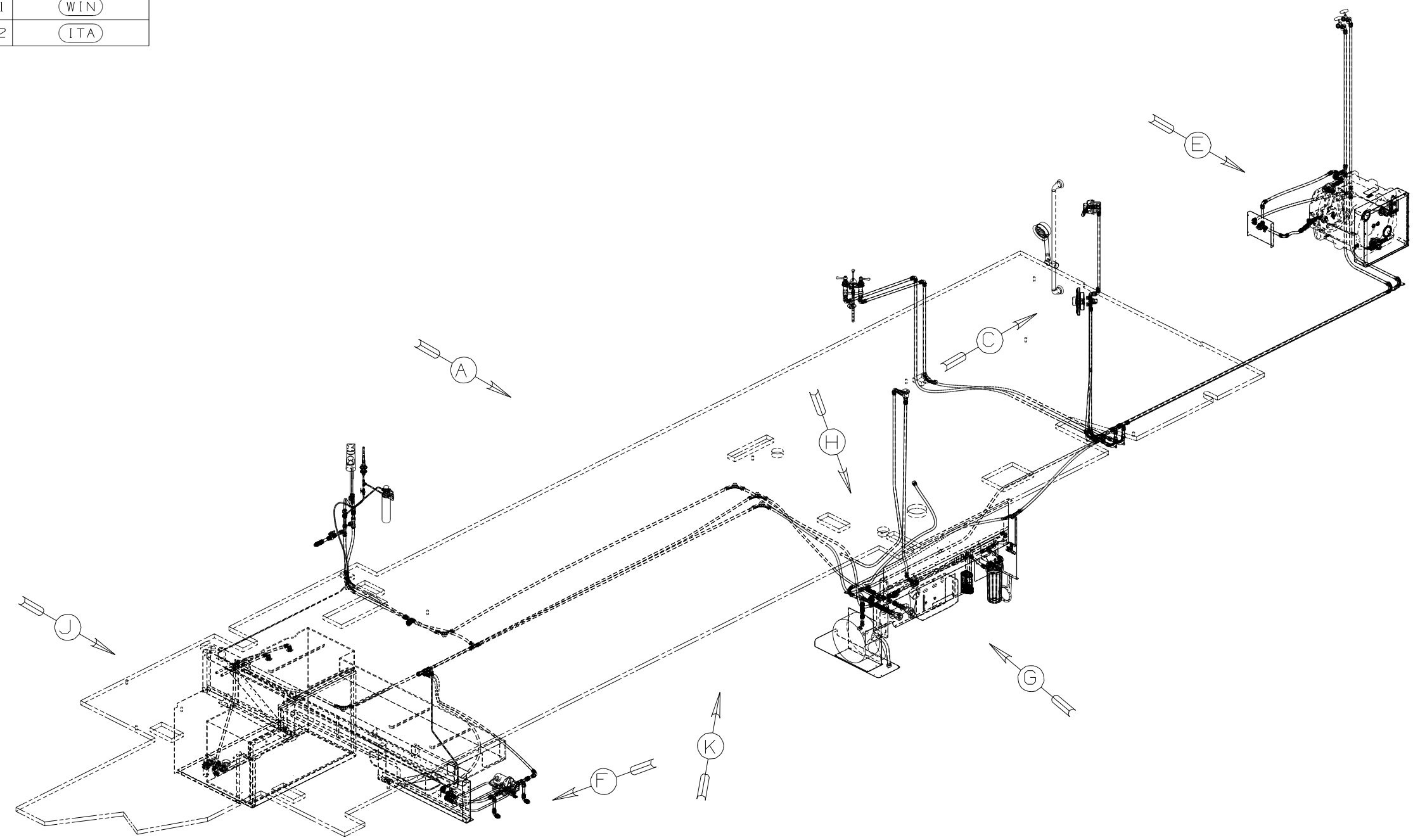


VIEW E

FIRST USED	09 S40TD	
TITLE:	DO NOT SCALE DRAWING	
	DRAINAGE SYSTEM INSTL	
SHEET 4	PART NO 166975	REV

DWG NO	--
166978-01	(WIN)
166978-02	(ITA)

RELEASE	REV DATE	DWG NO
A		166978
REV ZONE	REVISION RECORD	DATE
		DFTR-ORIG

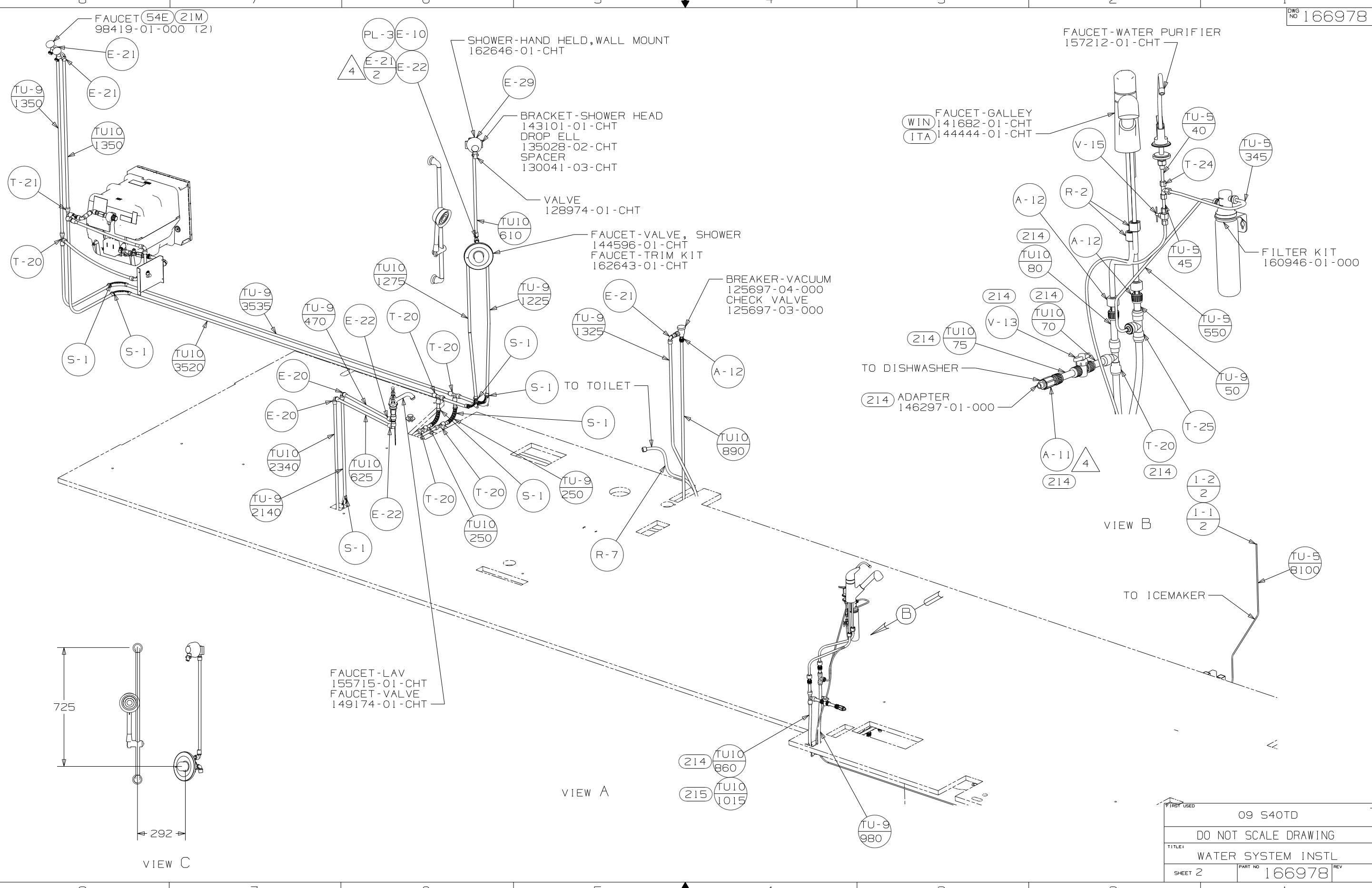


- (WIN) WINNEABAGO ONLY
- (ITA) ITASCA ONLY
- (54E) WASHER/DRYER
- (21M) WASHER/DRYER PREP
- (214) DISHWASHER-DRAWER STYLE
- (215) DISHWASHER WITHOUT
- (505) HOSE REEL - WATER, POWERED

- NOTES:
7. ADD PIPE WRAP (LADDER SCRAP 110157-02-000) INSULATION.
  6. ADD TEFLON TAPE 10405-03-000.
  5. ADD TEFLON TAPE 10405-02-000.
  4. ADD TEFLON TAPE 10405-01-000.
3. ALL TUBING TO BE SECURED AT 1200 INTERVALS MAXIMUM WITH CLAMP 10495-01-000 AND SCREW G67-10-12B OR EQUIVALENT.
  2. TUBING TO BE INSTALLED WITH SUFFICIENT SLOPE TO PROVIDE DRAINAGE TO NEAREST VALVE.
  1. PLASTIC FITTINGS TO BE SEALED WITH SEALANT 84456-01-000.

(X-X)  
FOR  
WATER  
CALLOUTS  
SEE DWG NO  
116230-01-000

<b>WINNEBAGO</b>		COPYRIGHT 2008 WINNEBAGO INDUSTRIES, INC.	
DFTR	ORIG. DATE	ALL DIMENSIONS ARE IN MILLIMETERS	
CHKR		FIRST USED	
P.E.		09 S40TD	
M.E.		UNSPECIFIED TOLERANCES ARE:	
DSNR		MATERIAL:	
		WHOLE DIM (X)	: 3
		ONE-PLACE (X.X)	: 1.5
		TWO-PLACE (X.XX)	: 0.50
		ANGLE	: 1°
THIRD ANGLE PROJECTION		DO NOT SCALE DRAWING	
TITLE: WATER SYSTEM INSTL			
SHEET 1 OF 5	PART NO	166978	REV
REF	1 4/25/2008		



FAUCET (54E) (21M)  
98419-01-000 (2)

PL-3E-10  
E-21  
E-22  
4  
2

SHOWER-HAND HELD, WALL MOUNT  
162646-01-CHT

FAUCET-WATER PURIFIER  
157212-01-CHT

BRACKET-SHOWER HEAD  
143101-01-CHT  
DROP ELL  
135028-02-CHT  
SPACER  
130041-03-CHT

FAUCET-GALLEY  
WIN 141682-01-CHT  
ITA 144444-01-CHT

VALVE  
128974-01-CHT

FAUCET-VALVE, SHOWER  
144596-01-CHT  
FAUCET-TRIM KIT  
162643-01-CHT

BREAKER-VACUUM  
125697-04-000  
CHECK VALVE  
125697-03-000

FILTER KIT  
160946-01-000

TO DISHWASHER

(214) ADAPTER  
146297-01-000

VIEW B

TO ICEMAKER

FAUCET-LAV  
155715-01-CHT  
FAUCET-VALVE  
149174-01-CHT

VIEW A

VIEW C

FIRST USED		09 S40TD	
DO NOT SCALE DRAWING			
TITLE: WATER SYSTEM INSTL			
SHEET 2	PART NO	166978	REV

- WATER-HTR  
145541-03-000
- DOOR  
125420-05-CHT
- SCREW  
G39-10-10U (16)
- CABLE ASM  
76767-03-000
- SCREW  
113563-01-CHT
- AL EXTR  
135959-51-002 (2)
- 165959-51-003 (2)
- FLANGE-WATER HEATER  
152239-02-CHT

COVER-VALVE, BYPASS  
138618-03-CHT

VIEW F

VIEW E

CLAMP-CLOSED  
10497-01-000

BRACKET-VALVE, BYPASS, HEATER  
159640-01-CHT

FIRST USED	09 S40TD
DO NOT SCALE DRAWING	
TITLE:	WATER SYSTEM INSTL
SHEET 3	PART NO 166978 REV

FLUSHING SYSTEM  
125697-05-000

SERVICE CENTER ASM  
163268-01-XXX

CLAMP - CLOSED  
10497-01-000

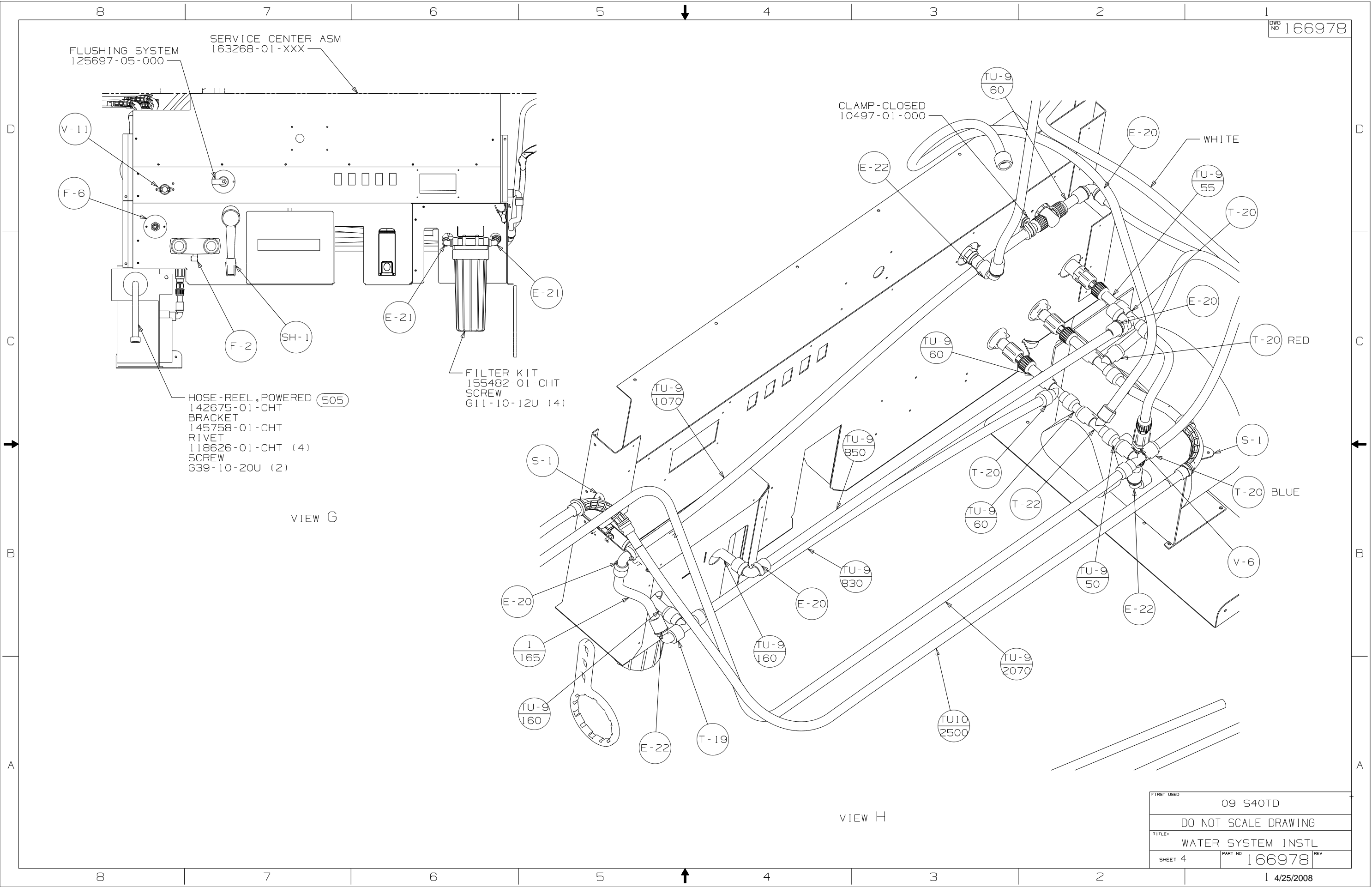
FILTER KIT  
155482-01-CHT  
SCREW  
G11-10-12U (4)

HOSE - REEL, POWERED (505)  
142675-01-CHT  
BRACKET  
145758-01-CHT  
RIVET  
118626-01-CHT (4)  
SCREW  
G39-10-20U (2)

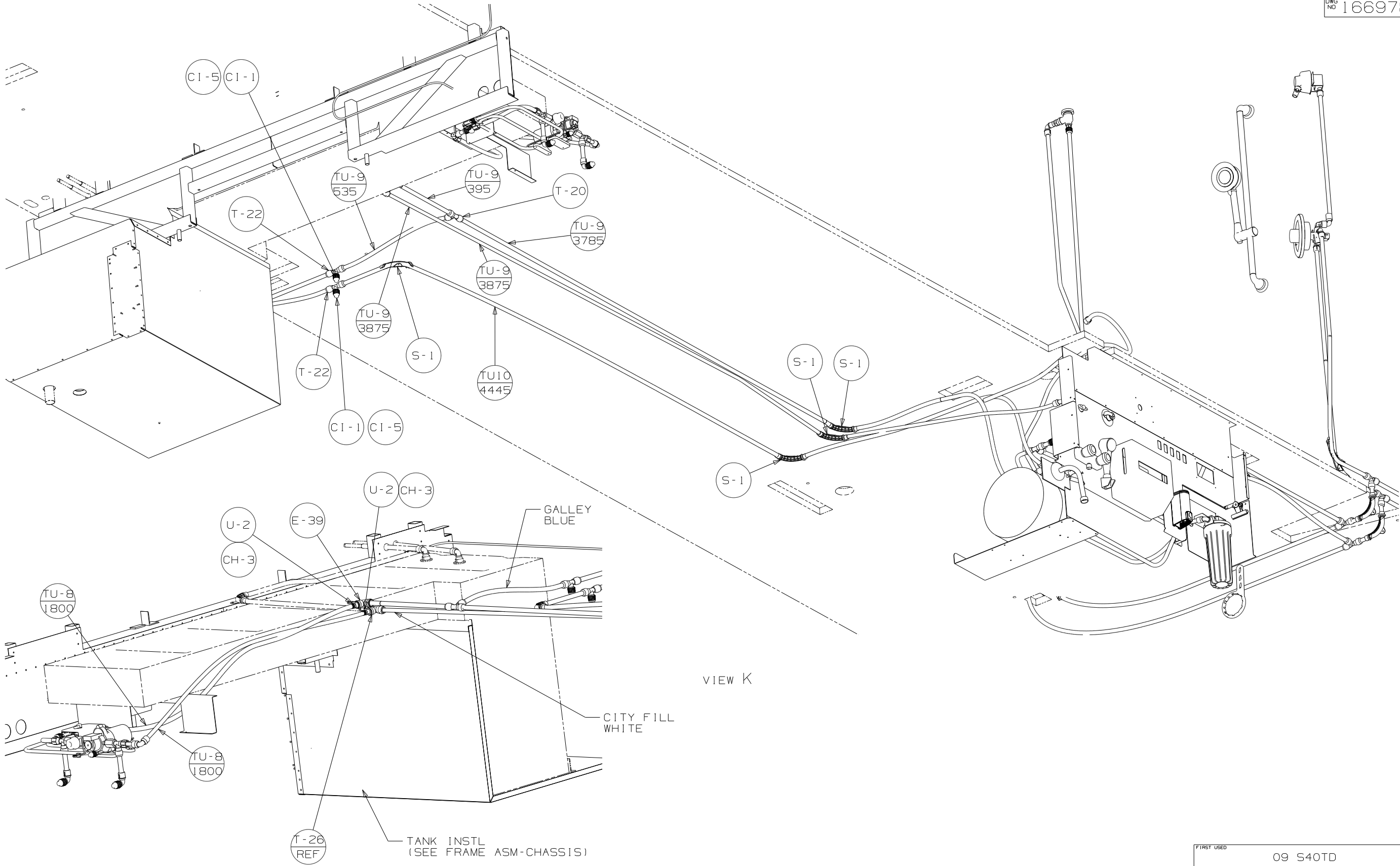
VIEW G

VIEW H

FIRST USED	09 S40TD
TITLE	DO NOT SCALE DRAWING
TITLE	WATER SYSTEM INSTL
SHEET 4	PART NO 166978
	REV 1 4/25/2008







VIEW J

VIEW K

FIRST USED	09 S40TD
TITLE	DO NOT SCALE DRAWING
SHEET 5	PART NO 166978
	REV