



**DANGER**

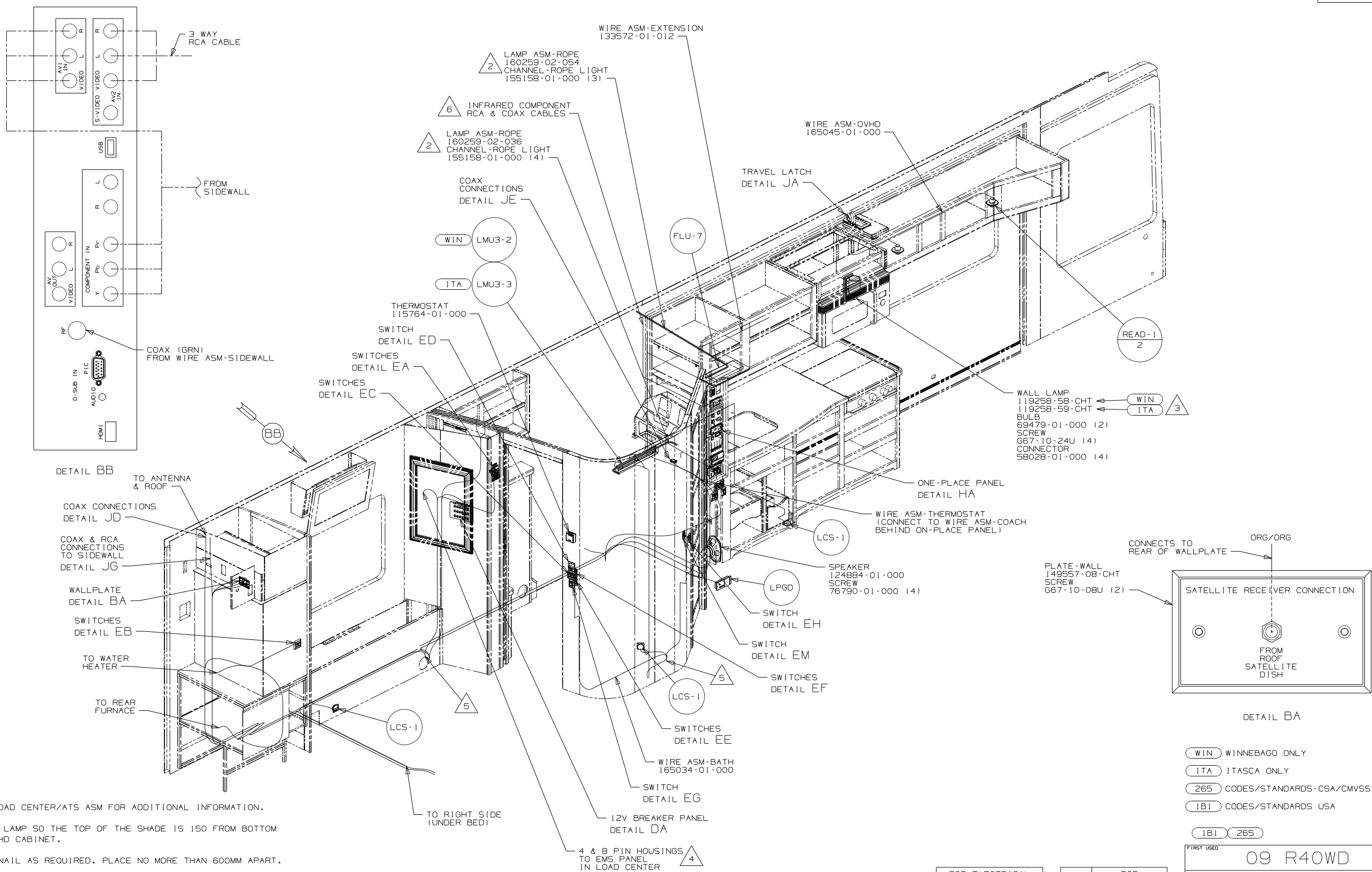
**Danger of electrical shock, burns or death.** Always remove all power sources before attempting any repair, service or diagnostic work. Power can be present from shore power, generator, inverter or battery. All power sources must be disabled and secured before performing any service.



**CAUTION**

If you lack the skills, tools or equipment to perform diagnostic or repair work leave such work to an authorized Winnebago Industries dealer or other qualified shop.





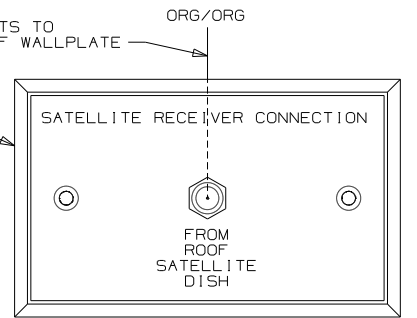
- 4 SEE LOAD CENTER/ATS ASM FOR ADDITIONAL INFORMATION.
- 3 MOUNT LAMP SO THE TOP OF THE SHADE IS 150 FROM BOTTOM OF OVHD CABINET.
- 2 SPOT NAIL AS REQUIRED. PLACE NO MORE THAN 600MM APART.

1. ALL WIRES TO BE SECURED WITH CLAMP 10495 OR 10497 OR WIRE TIE 8343 OR 108046 EVERY 600MM, USE SCREW G67-XX-XXX OR G56-XX-XXX AS APPROPRIATE FOR INSTALLATION.

- 6 SEE WIRING INSTL-TV/DVD FOR ADDITIONAL INFORMATION.
- 5 WIRES PASS UP THRU FLOOR IN THIS AREA.

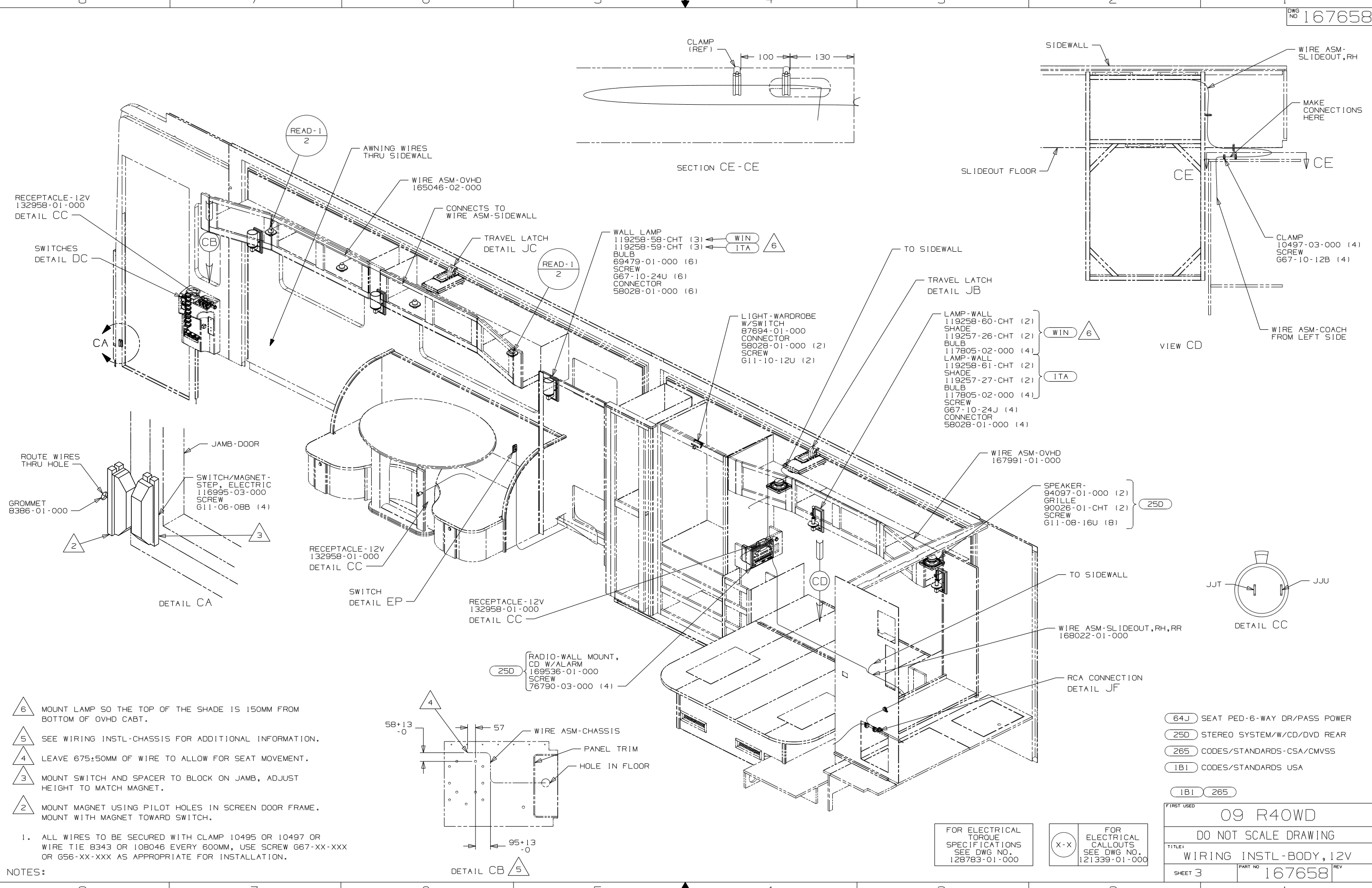
FOR ELECTRICAL TORQUE SPECIFICATIONS SEE DWG NO. 128783-01-000

FOR ELECTRICAL CALLOUTS SEE DWG NO. 121339-01-000



- WIN WINNEBAGO ONLY
- ITA ITASCA ONLY
- 265 CODES/STANDARDS-CSA/CMVSS
- 1B1 CODES/STANDARDS USA

FIRST USED	
09 R40WD	
DO NOT SCALE DRAWING	
TITLE:	
WIRING INSTL-BODY, 12V	
SHEET 2	PART NO 167658



RECEPTACLE-12V  
132958-01-000  
DETAIL CC

SWITCHES  
DETAIL DC

READ-1  
2

AWNING WIRES  
THRU SIDEWALL

WIRE ASM-OVHD  
165046-02-000

CONNECTS TO  
WIRE ASM-SIDEWALL

TRAVEL LATCH  
DETAIL JC

READ-1  
2

WALL LAMP  
119258-58-CHT (3)  
119258-59-CHT (3)  
BULB  
69479-01-000 (6)  
SCREW  
667-10-24U (6)  
CONNECTOR  
58028-01-000 (6)

WIN  
ITA 6

TO SIDEWALL

TRAVEL LATCH  
DETAIL JB

LAMP-WALL  
119258-60-CHT (2)  
SHADE  
119257-26-CHT (2)  
BULB  
117805-02-000 (4)  
LAMP-WALL  
119258-61-CHT (2)  
SHADE  
119257-27-CHT (2)  
BULB  
117805-02-000 (4)  
SCREW  
667-10-24J (4)  
CONNECTOR  
58028-01-000 (4)

WIN  
ITA 6

ITA

WIRE ASM-OVHD  
167991-01-000

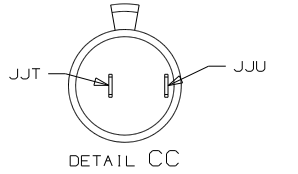
SPEAKER-  
94097-01-000 (2)  
GRILLE  
90026-01-CHT (2)  
SCREW  
G11-08-16U (8)

25D

TO SIDEWALL

WIRE ASM-SLIDEOUT,RH,RR  
168022-01-000

RCA CONNECTION  
DETAIL JF



DETAIL CC

ROUTE WIRES  
THRU HOLE

GROMMET  
8386-01-000

JAMB-DOOR

SWITCH/MAGNET-  
STEP, ELECTRIC  
116995-03-000  
SCREW  
G11-06-08B (4)

DETAIL CA

RECEPTACLE-12V  
132958-01-000  
DETAIL CC

SWITCH  
DETAIL EP

RECEPTACLE-12V  
132958-01-000  
DETAIL CC

RADIO-WALL MOUNT,  
CD W/ALARM  
169536-01-000  
SCREW  
76790-03-000 (4)

25D

58+13  
-0

WIRE ASM-CHASSIS

PANEL TRIM

HOLE IN FLOOR

95+13  
-0

DETAIL CB

- 6 MOUNT LAMP SO THE TOP OF THE SHADE IS 150MM FROM BOTTOM OF OVHD CABT.
- 5 SEE WIRING INSTL-CHASSIS FOR ADDITIONAL INFORMATION.
- 4 LEAVE 675+50MM OF WIRE TO ALLOW FOR SEAT MOVEMENT.
- 3 MOUNT SWITCH AND SPACER TO BLOCK ON JAMB, ADJUST HEIGHT TO MATCH MAGNET.
- 2 MOUNT MAGNET USING PILOT HOLES IN SCREEN DOOR FRAME. MOUNT WITH MAGNET TOWARD SWITCH.

1. ALL WIRES TO BE SECURED WITH CLAMP 10495 OR 10497 OR WIRE TIE 8343 OR 108046 EVERY 600MM, USE SCREW G67-XX-XXX OR G56-XX-XXX AS APPROPRIATE FOR INSTALLATION.

NOTES:

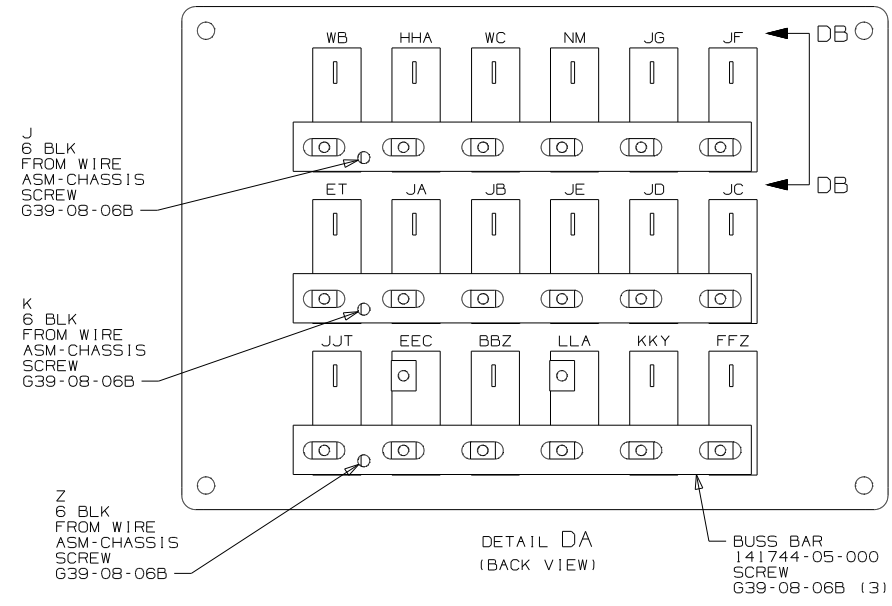
FOR ELECTRICAL  
TORQUE  
SPECIFICATIONS  
SEE DWG NO.  
128783-01-000

FOR  
ELECTRICAL  
CALLOUTS  
SEE DWG NO.  
121339-01-000

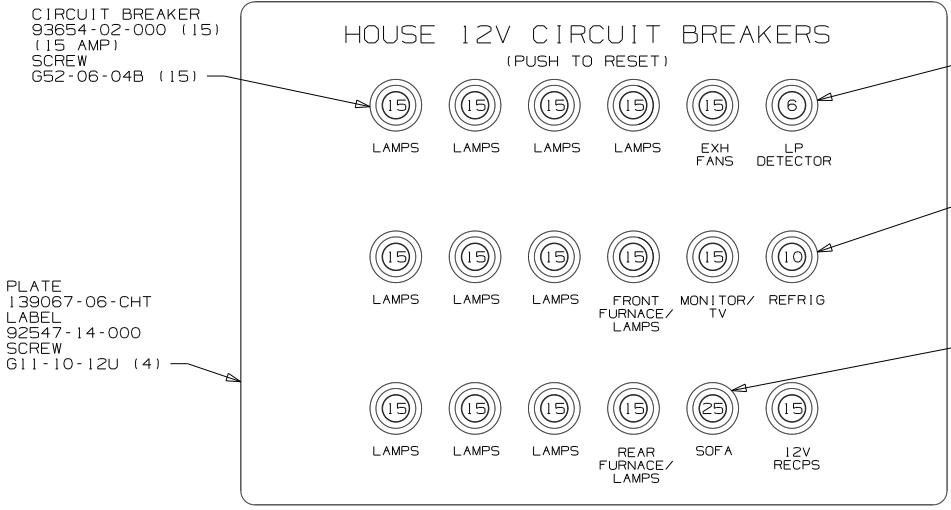
- 64J SEAT PED-6-WAY DR/PASS POWER
- 25D STEREO SYSTEM/W/CD/DVD REAR
- 265 CODES/STANDARDS-CSA/CMVSS
- 1B1 CODES/STANDARDS USA

1B1 265

FIRST USED	
09 R40WD	
DO NOT SCALE DRAWING	
TITLE: WIRING INSTL-BODY,12V	
SHEET 3	PART NO 167658



BUSS BAR  
141744-05-000 (3)  
SCREW  
G39-08-06B (3)



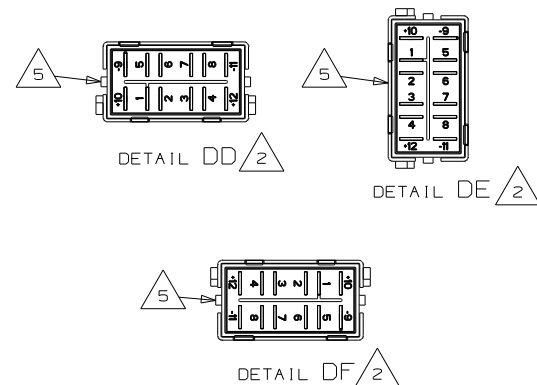
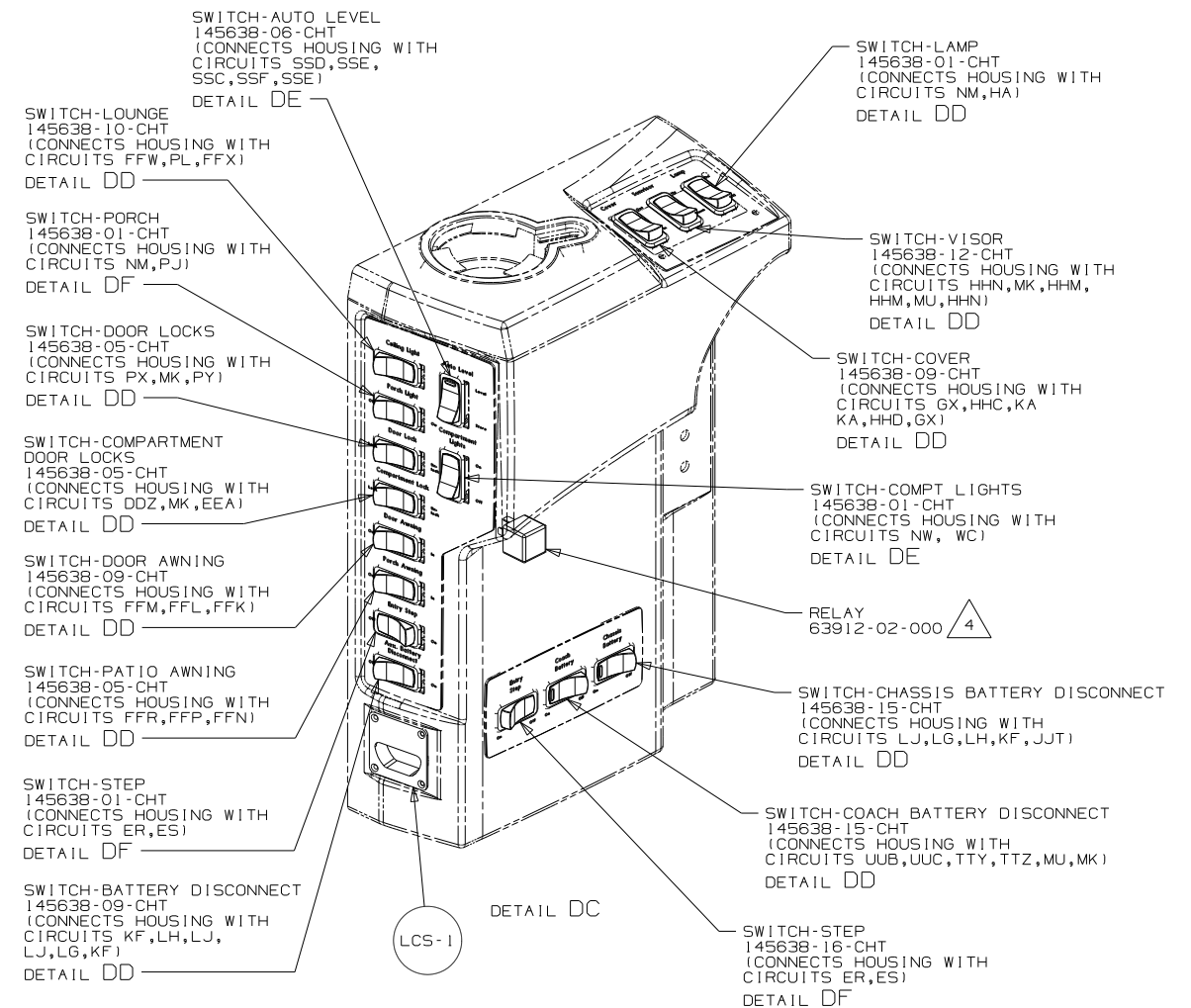
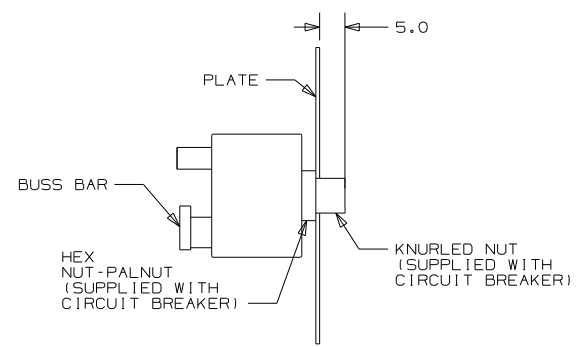
CIRCUIT BREAKER  
93654-01-000 (2)  
(6 AMP)  
SCREW  
G52-06-04B (2)

CIRCUIT BREAKER  
93654-05-000  
(10 AMP)  
SCREW  
G52-06-04B

CIRCUIT BREAKER  
93655-01-000  
(25 AMP)  
SCREW  
G52-06-04B  
WASHER  
OME02B

DETAIL DA (FRONT VIEW)

PLATE  
139067-06-CHT  
LABEL  
92547-14-000  
SCREW  
G11-10-12U (4)



- 4 SCREW RELAY HOUSING TO SIDEWALL WITH SCREW G11-10-12U.
- 3 WITH SWITCH INSTALLED, THIS SIDE OF SWITCH WILL FACE LEFT SIDEWALL.
- 2 DETAIL IS LOOKING AT SWITCH FROM THE BACKSIDE OF SWITCH WHEN IT IS INSTALLED.

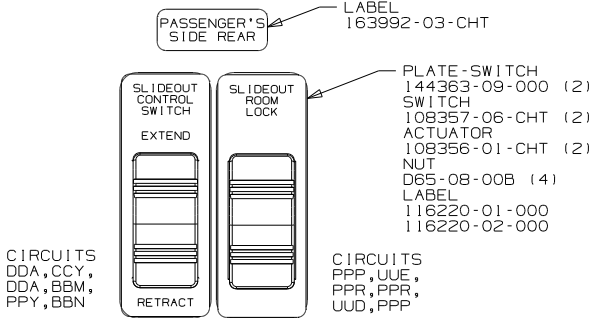
NOTES:  
1. ALL WIRES TO BE SECURED WITH CLAMP 10495 OR 10497 OR WIRE TIE 8343 OR 108046 EVERY 600MM, USE SCREW G67-XX-XXX OR G56-XX-XXX AS APPROPRIATE FOR INTALLATION.

FOR ELECTRICAL TORQUE SPECIFICATIONS SEE DWG NO. 128783-01-000

X-X FOR ELECTRICAL CALLOUTS SEE DWG NO. 121339-01-000

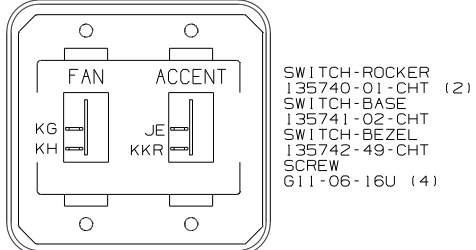
265 CODES/STANDARDS-CSA/CMVSS  
1B1 CODES/STANDARDS USA  
1B1 265

FIRST USED	
09 R40WD	
DO NOT SCALE DRAWING	
TITLE: WIRING INSTL-BODY, 12V	
SHEET 4	PART NO 167658 REV

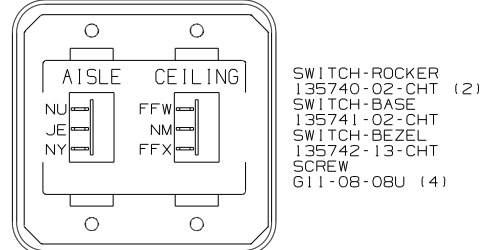


**WARNING**  
 CRUSH HAZARD. Keep people and objects clear of the inside and outside of the slideout room when operating. Failure to comply could result in death or serious injury.

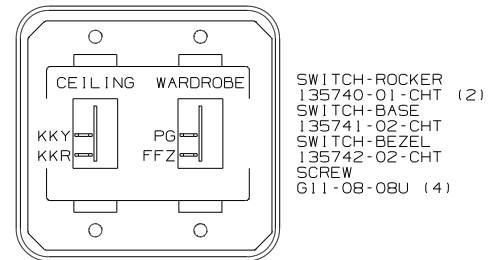
DETAIL EA



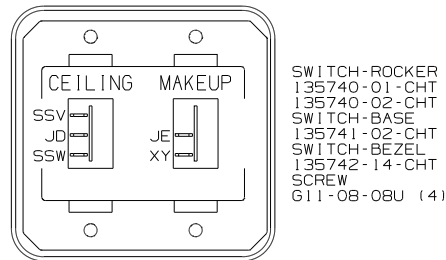
DETAIL EE



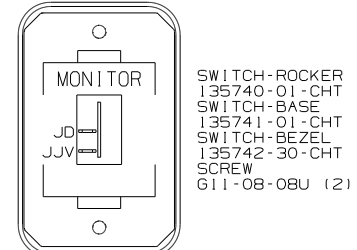
DETAIL EJ



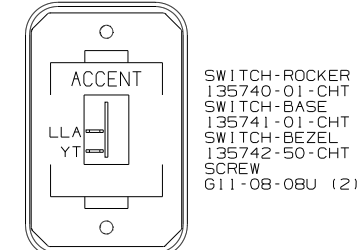
DETAIL EB



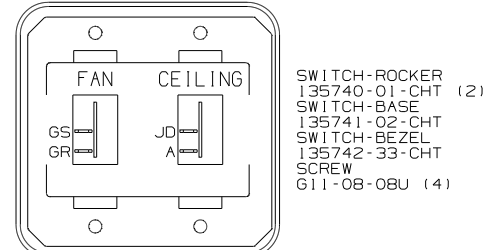
DETAIL EF



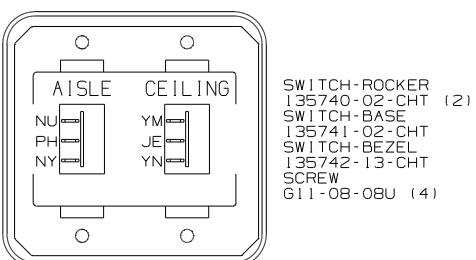
DETAIL EK



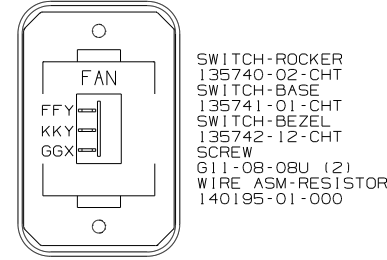
DETAIL EN



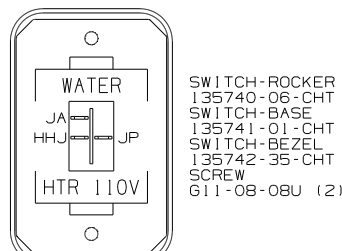
DETAIL EN



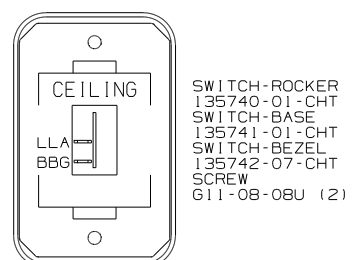
DETAIL EC



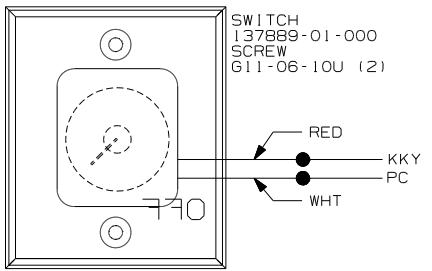
DETAIL EG (41Y)



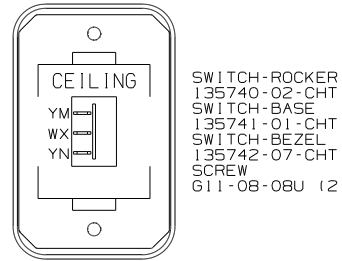
DETAIL EL



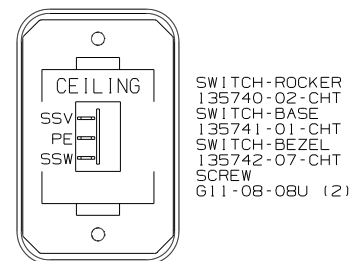
DETAIL EP



DETAIL ED



DETAIL EH



DETAIL EM

- (41Y) FAN - CEILING\_BEDROOM
- (265) CODES/STANDARDS-CSA/CMVSS
- (1B1) CODES/STANDARDS USA

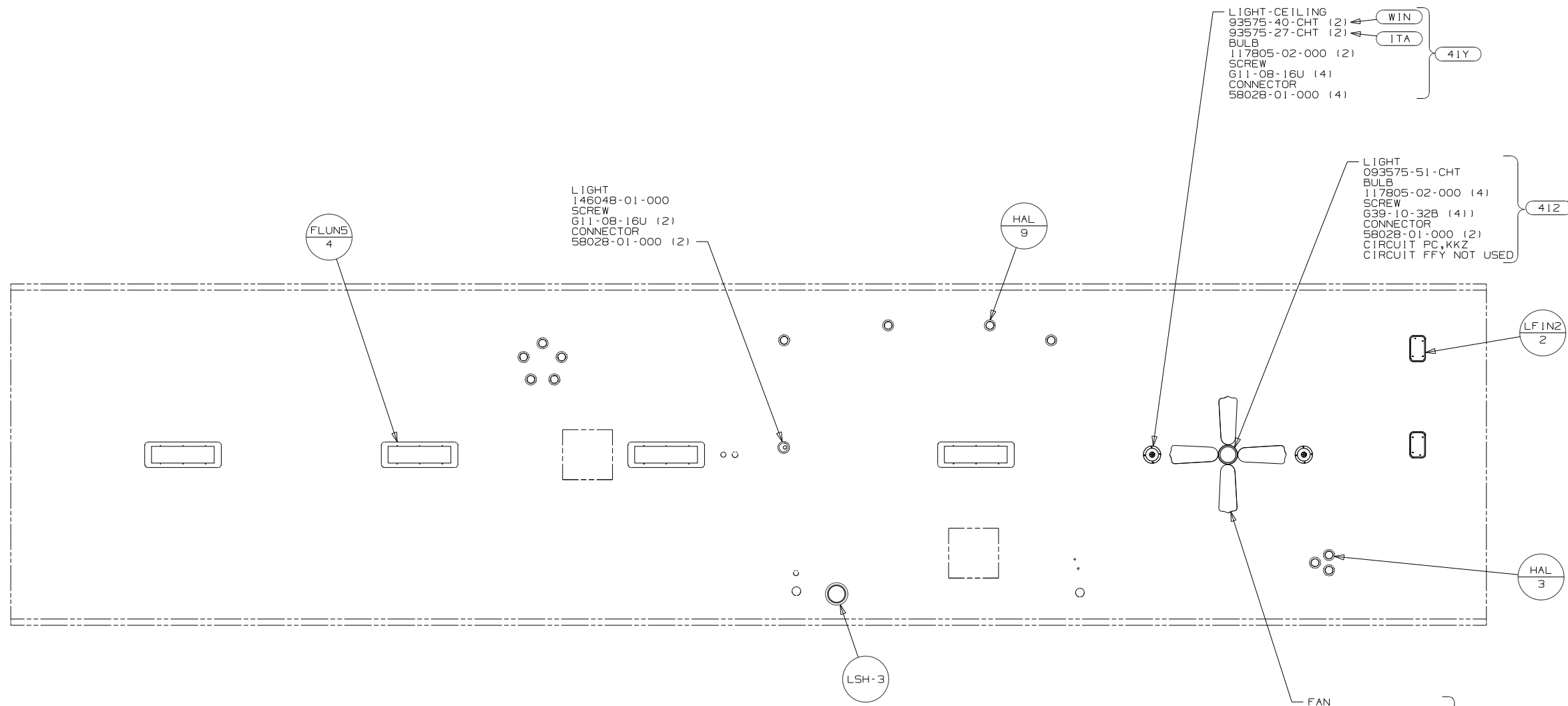
FIRST USED	09 R40WD
TITLE:	DO NOT SCALE DRAWING
	WIRING INSTL-BODY, 12V
SHEET 5	PART NO 167658 REV

CONNECT WIRE ASM-RESISTOR, FAN TO 2-PIN HOUSING LOCATED BY THE SWITCH WIRES.

NOTES:

FOR ELECTRICAL TORQUE SPECIFICATIONS SEE DWG NO. 128783-01-000

FOR ELECTRICAL CALLOUTS SEE DWG NO. 121339-01-000



LIGHT-CEILING  
 93575-40-CHT (2) WIN  
 93575-27-CHT (2) ITA  
 BULB  
 117805-02-000 (2)  
 SCREW  
 G11-08-16U (4)  
 CONNECTOR  
 58028-01-000 (4) 41Y

LIGHT  
 093575-51-CHT  
 BULB  
 117805-02-000 (4)  
 SCREW  
 G39-10-32B (4)  
 CONNECTOR  
 58028-01-000 (2)  
 CIRCUIT PC, KKZ  
 CIRCUIT FFY NOT USED 412

FAN  
 139134-01-CHT  
 SCREW  
 G11-10-16B (3)  
 CONNECTOR  
 58028-01-000 (2)  
 DETAIL HD  
 CIRCUIT PC NOT USED 41Y 2 1

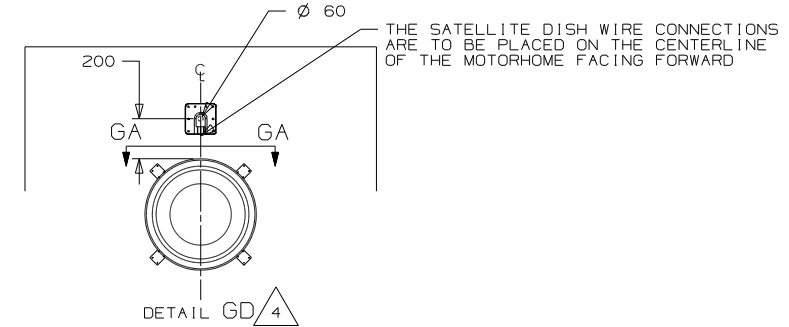
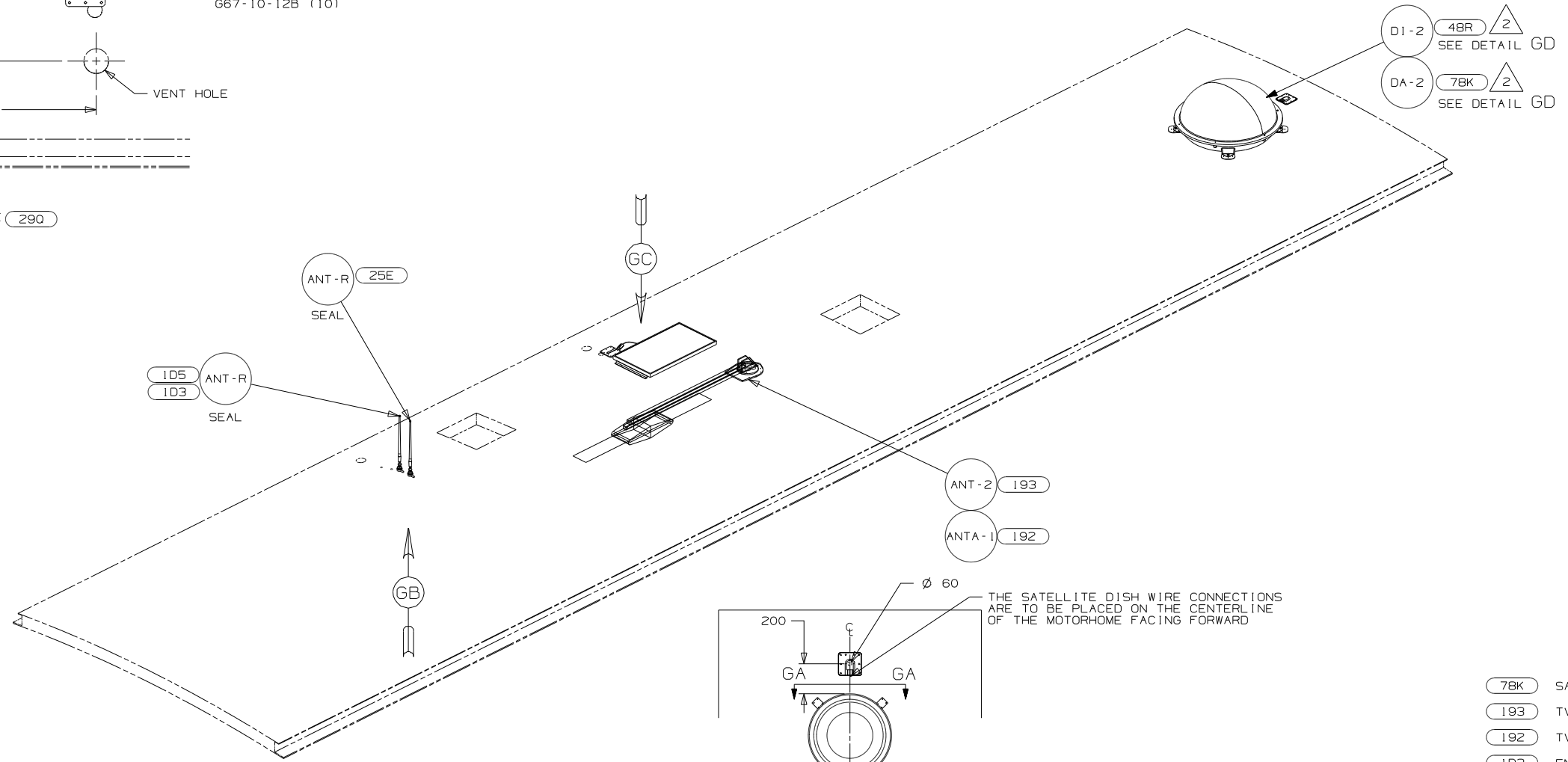
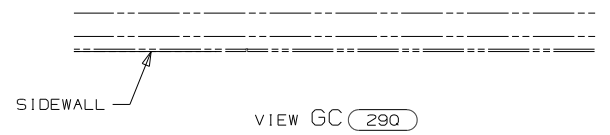
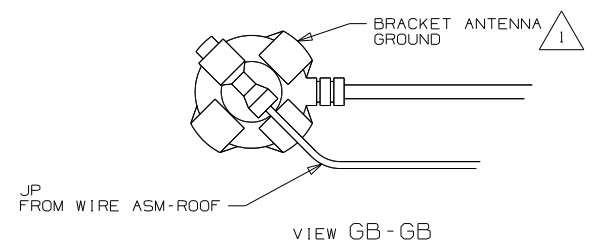
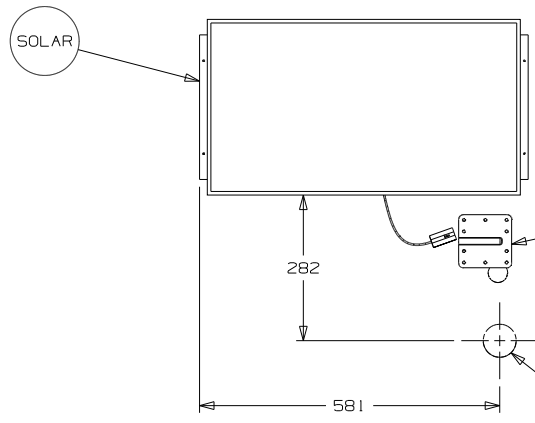
- (WIN) WINNEBAGO ONLY
- (ITA) ITASCA ONLY
- (412) DECORATIVE LIGHT - CEILING
- (41Y) FAN - CEILING\_BEDROOM
- (265) CODES/STANDARDS-CSA/CMVSS
- (1B1) CODES/STANDARDS USA

FIRST USED	09 R40WD
DO NOT SCALE DRAWING	
TITLE:	WIRING INSTL-BODY, 12V
SHEET 6	PART NO 167658 REV

FOR ELECTRICAL TORQUE SPECIFICATIONS SEE DWG NO. 128783-01-000

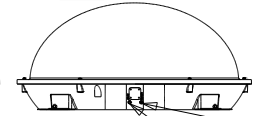
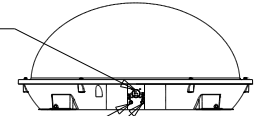
(X-X) FOR ELECTRICAL CALLOUTS SEE DWG NO. 121339-01-000

- NOTES:
- (2) CENTER FAN OVER 25MM HOLE IN ROOF.
  - (1) APPLY LOCTITE P/N 62917-06-000 TO FAN BLADE MOUNTING NUT THREADS.



CONNECT CABLE ASM SATELLITE CONTROL FROM ROOF ASM TO SATELLITE DISH HERE

CONNECT 9" CABLE ASM COAX (REAR TV ORG/ORG) FROM ROOF ASM TO AUX INPUT ON SATELLITE DISH  
 CONNECT 8" CABLE ASM COAX (FRONT TV ORG) FROM ROOF ASM TO MAIN INPUT ON SATELLITE DISH



CONNECT 8" CABLE ASM COAX (FRONT TV ORG) FROM ROOF ASM TO MAIN INPUT ON SATELLITE DISH  
 CONNECT 9" CABLE ASM COAX (REAR TV ORG/ORG) FROM ROOF ASM TO AUX INPUT ON SATELLITE DISH

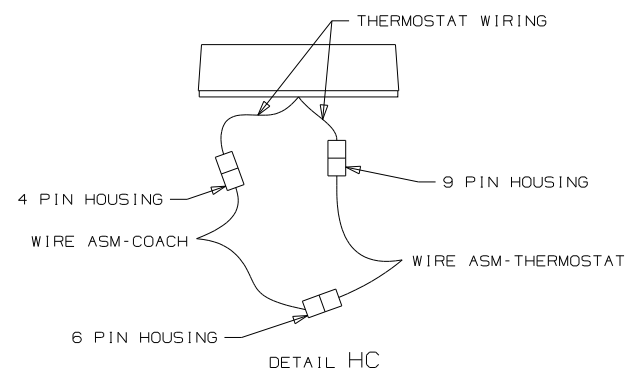
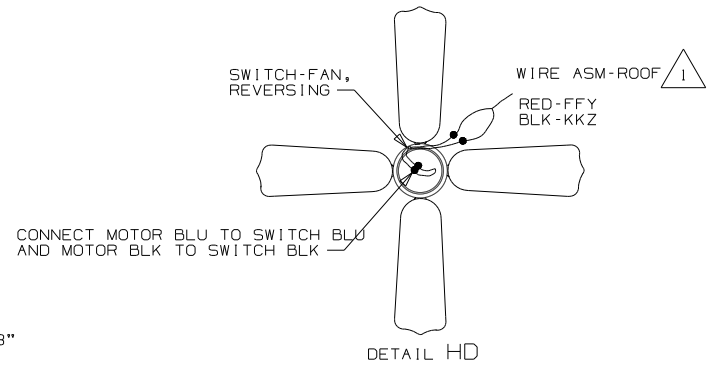
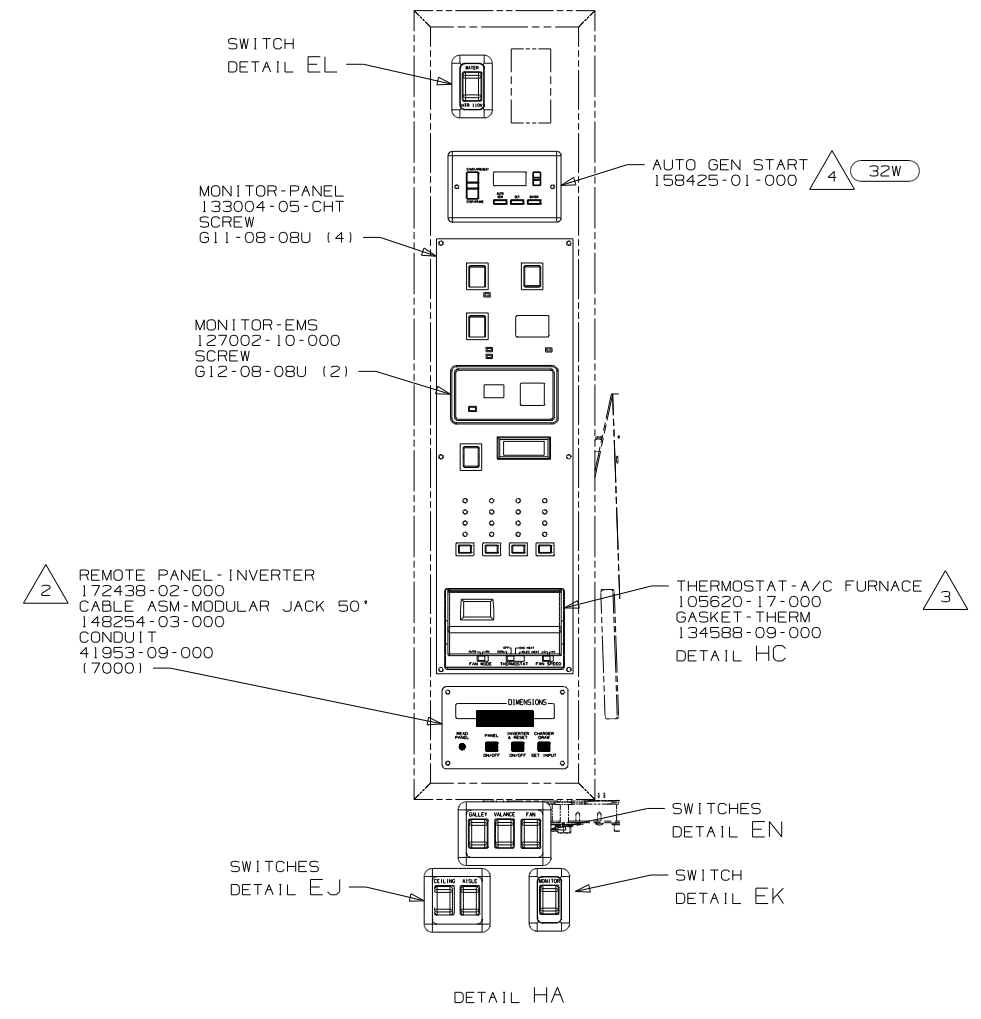
- (78K) SATELLITE DISH-AUTOMATIC
- (193) TV ANTENNA-AMPLIFIED SYSTEM
- (192) TV ANTENNA-AMPLIFIED SYS PWR
- (ID3) ENTERTAIN CTR/EXT TV-DVD
- (48R) SAT. SYS. IN-MOTION W/O RCVR.
- (290) SOLAR PANEL - 10 WATT
- (25E) REAR STEREO SYSTEM W/CD
- (ID5) ENTERTAINMENT CTR/EXT W/CD
- (265) CODES/STANDARDS-CSA/CMVSS
- (1B1) CODES/STANDARDS USA

- NOTES:
- 4 REMOVE ALL SHIPPING RESTRAINTS AND FIRMLY INSERT THE SUPPLIED PLUGS INTO THE APPROPRIATE SIZED HOLES AS SPECIFIED IN THE INSTALLATION PROCESS.
  - 3 SEAL
  - 2 SEE MANUFACTURER'S INSTALLATION FOR ADDITIONAL INFORMATION.
  - 1 WRAP BRACKET LEGS AROUND ANTENNA BASE.

FOR ELECTRICAL TORQUE SPECIFICATIONS SEE DWG NO. 128783-01-000

FOR ELECTRICAL CALLOUTS SEE DWG NO. 121339-01-000

FIRST USED	09 R40WD	
TITLE	DO NOT SCALE DRAWING	
	WIRING INSTL-BODY, 12V	
SHEET 7	PART NO	167658
	REV	



4 UPON FIRST POWER-UP, THE DISPLAY PANEL WILL PROMPT FOR "GEN TYPE". USE THE ARROW KEYS AND SCROLL TO "OD 6/8" AND PRESS ENTER. NEXT, IT WILL PROMPT FOR "SAFE TYPE". USE THE ARROW KEYS TO SCROLL TO "IGNITION" AND PRESS ENTER. SEE OWNER'S MANUAL FOR ADDITION INFORMATION.

3 INSTALL GASKET ON BACK SIDE OF ONE PLACE AFTER INSTALLATION OF THERMOSTAT, MAKING SURE THAT THE GASKET COVERS AND SEALS THE HOLE THAT THE WIRES PASS THROUGH.

2 CONNECT CIRCUIT WB FROM COACH WIRING TO RED WIRE ON REMOTE PANEL.

1 TIE BACK TO CIRCUIT JC.

NOTES:

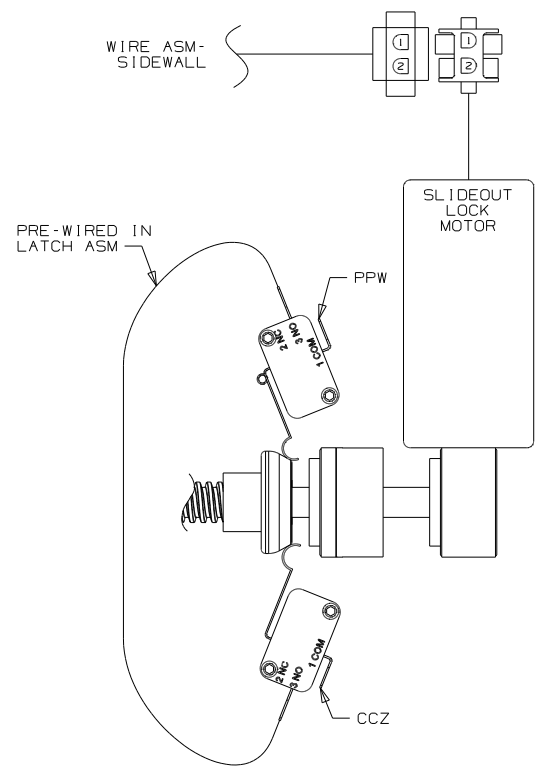
- 32W GENERATOR-START,AUTO SYSTEM
- 265 CODES/STANDARDS-CSA/CMVSS
- 1B1 CODES/STANDARDS USA

1B1 265

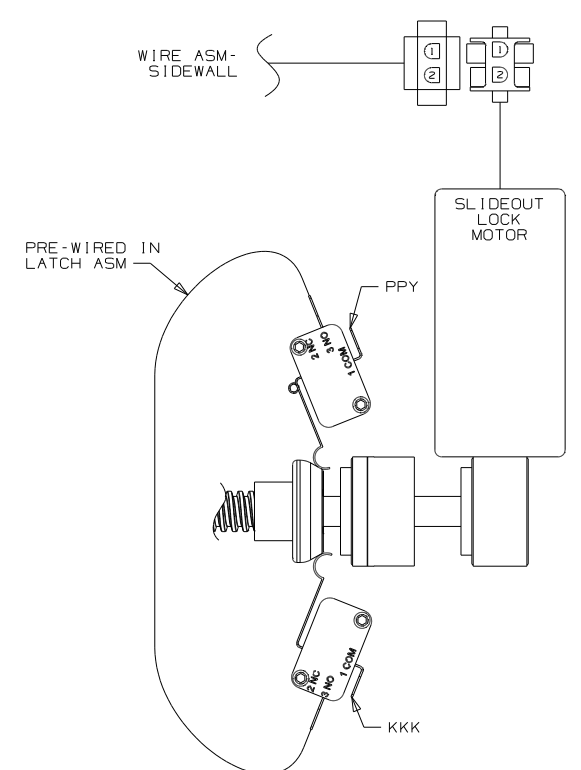
FIRST USED	09 R40WD
TITLE:	DO NOT SCALE DRAWING
	WIRING INSTL-BODY, 12V
SHEET 8	PART NO 167658 REV

FOR ELECTRICAL TORQUE SPECIFICATIONS SEE DWG NO. 128783-01-000

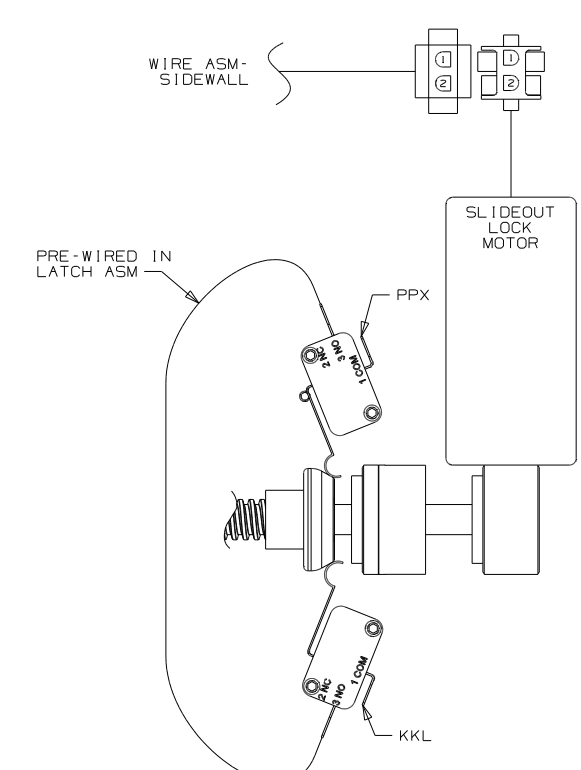
X-X FOR ELECTRICAL CALLOUTS SEE DWG NO. 121339-01-000



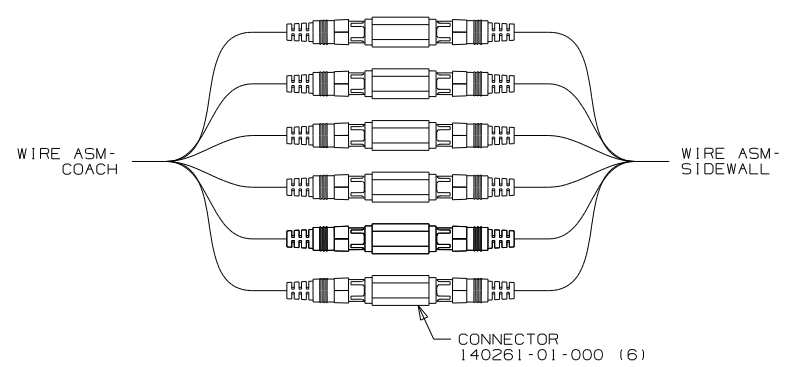
DETAIL JA



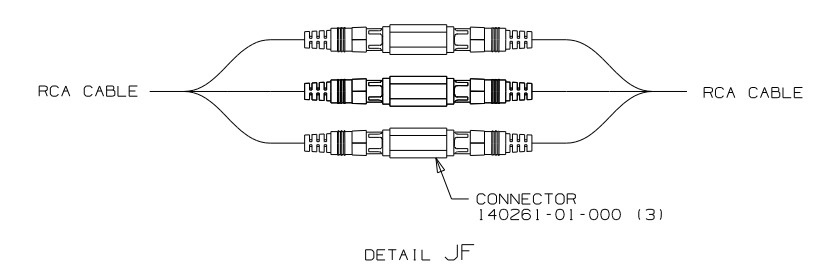
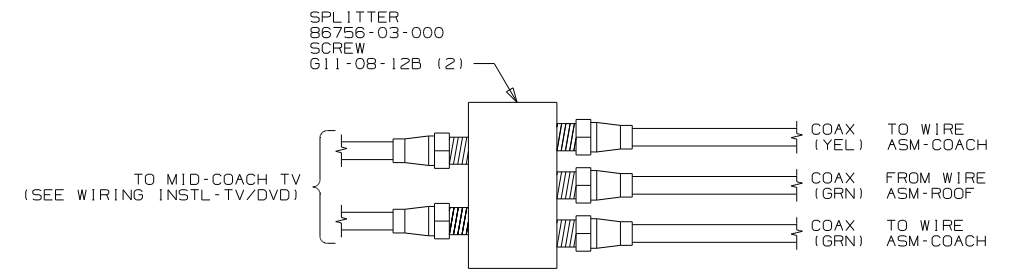
DETAIL JB (BEDROOM)



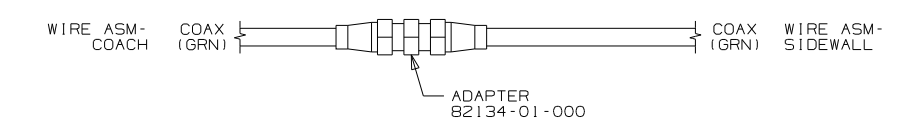
DETAIL JC (LOUNGE)



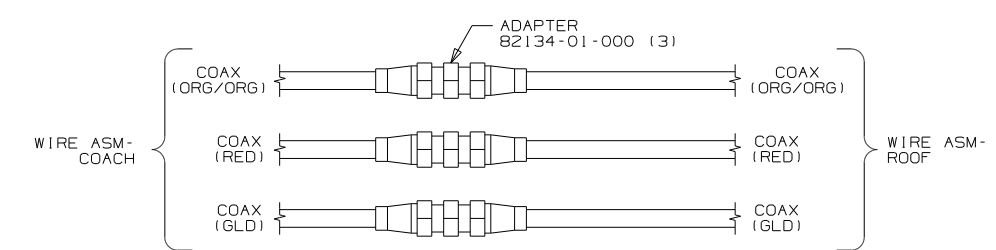
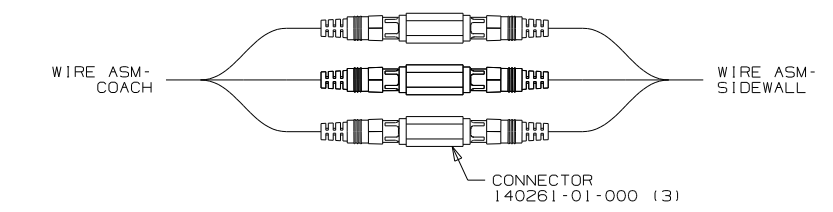
DETAIL JE



DETAIL JF



DETAIL JG



DETAIL JD

265 CODES/STANDARDS-CSA/CMVSS

1B1 CODES/STANDARDS USA

1B1		265	
FIRST USED			
09 R40WD			
DO NOT SCALE DRAWING			
TITLE:			
WIRING INSTL-BODY, 12V			
SHEET 9	PART NO	REV	
	167658		

FOR ELECTRICAL TORQUE SPECIFICATIONS SEE DWG NO. 128783-01-000

X-X FOR ELECTRICAL CALLOUTS SEE DWG NO. 121339-01-000