

FRONT  
OF  
COACH

- 10. USE WIRE TIE 8343-03-000 (3) TO CLAMP DRAINAGE PIPE IN BRACKET.
- 9. LOCATE BETWEEN DRAINAGE HOLES IN UPPER FLOOR.
- 8. SECURE DRAINAGE PIPES TO CABINET USING WIRE TIE 108046-02-000, AND SCREW G67-10-12B AT INTERVALS OF NOT MORE THAN 4 FEET APART.
- 7. SECURE VENT PIPE TO FLOOR WITH CLAMP 62401-02-000 (2), SCREW G67-10-12B (2), BRACKET 136878-01-CHT (2).
- 6. VENT PIPE MUST PROJECT 51 MIN AND 64 MAX ABOVE ROOF FOR PROPER FIT AND FUNCTION. ADD S-1 (116666-01-CHT SEAL-VENT PIPE) AROUND PIPE ON ROOF BEFORE VENT CAP IS INSTALLED.
- 5. SEAL AROUND SHOWER WITH SILICONE.
- 4. HOSE NEEDS TO BE LOOSE INSIDE OF CLAMP.
- 3. ALL PIPE AND FITTINGS TO BE ASSEMBLED WITH SOLVENT 4020-01-000 (USA), 4020-02-000 (CAN)
- 2. SLOPE OF TRAP ARM MUST BE 6 PER 305 mm.
- 1. SLOPE OF HORIZONTAL PIPING TO BE MINIMUM OF 3 PER 305 mm.

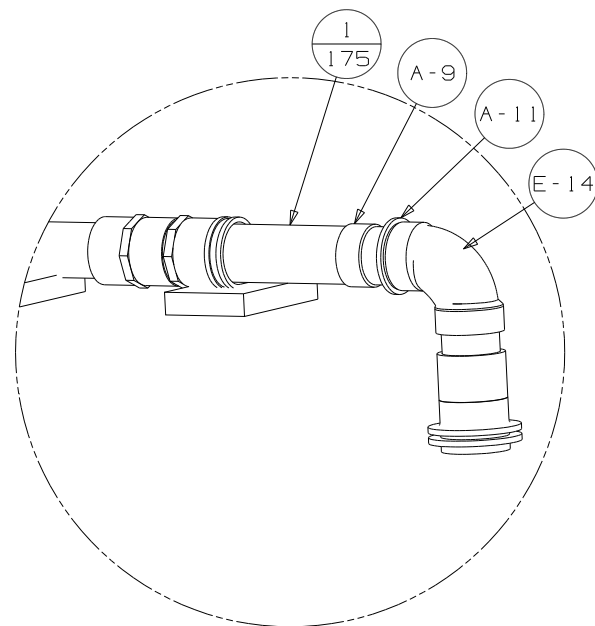
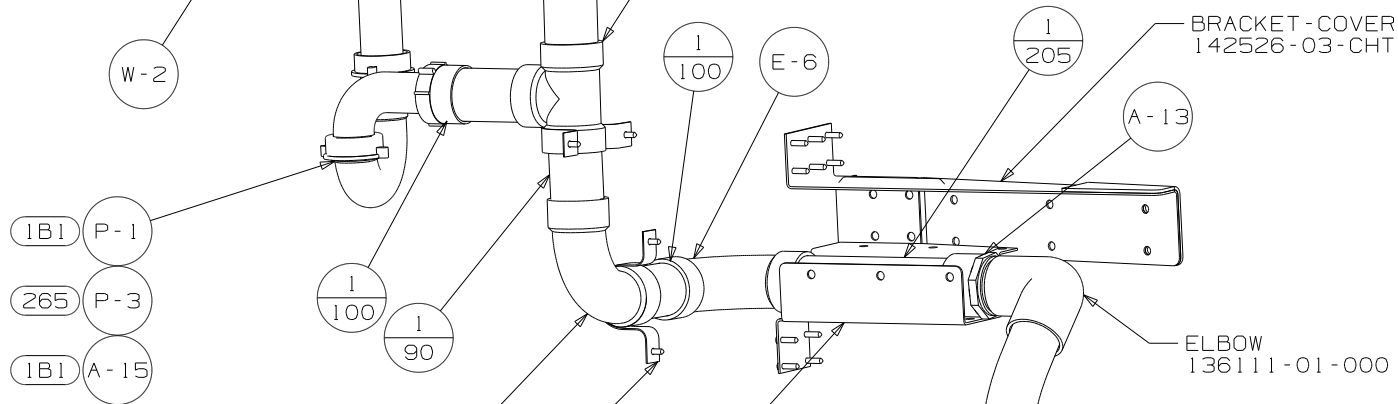
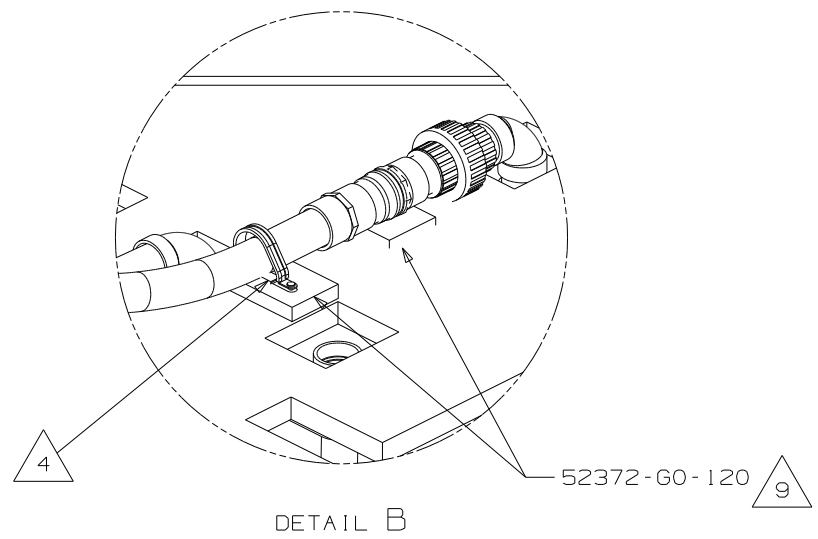
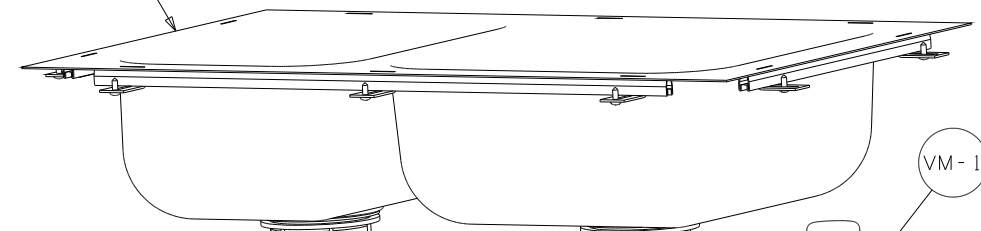
- (B1) CODES/STANDARDS USA
- (265) CODES/STDS-CSA, CMVSS
- (215) DISHWASHER WITHOUT

<b>WINNEBAGO</b>		COPYRIGHT 2009 WINNEBAGO INDUSTRIES, INC.	
DFTR	ORIG. DATE	ALL DIMENSIONS ARE IN MILLIMETERS	
CHKR		FIRST USED	
P.E.		09 R40WD	
M.E.		UNSPECIFIED TOLERANCES ARE:	
DSNR		MATERIAL:	
		WHOLE DIM (X)	: 3
		ONE-PLACE (X.X)	: 1.5
		TWO-PLACE (X.XX)	: 0.50
		ANGLE	: 1°
THIRD ANGLE PROJECTION			
DO NOT SCALE DRAWING			
TITLE: DRAINAGE SYSTEM INSTL			
SHEET 1 OF 5	PART NO	166345	REV
REF:	1 3/10/2009		

(X-X)  
FOR  
DRAINAGE  
CALLOUTS  
SEE DWG NO  
116229-01-000

NOTES:

- SINK - GALLEY  
110654-01-000
- STRAINER  
92303-01-000 (2)
- NUT  
130403-01-000
- WASHER - RUBBER  
127440-02-CHT
- ANGLE - W/SLOTS  
140002-01-CHT (10)



STRAP-CONDUIT, 2"  
8406-01-000 (2)  
SCREW  
G67-10-10T (4)

BRACKET-CARRIER  
142527-03-CHT

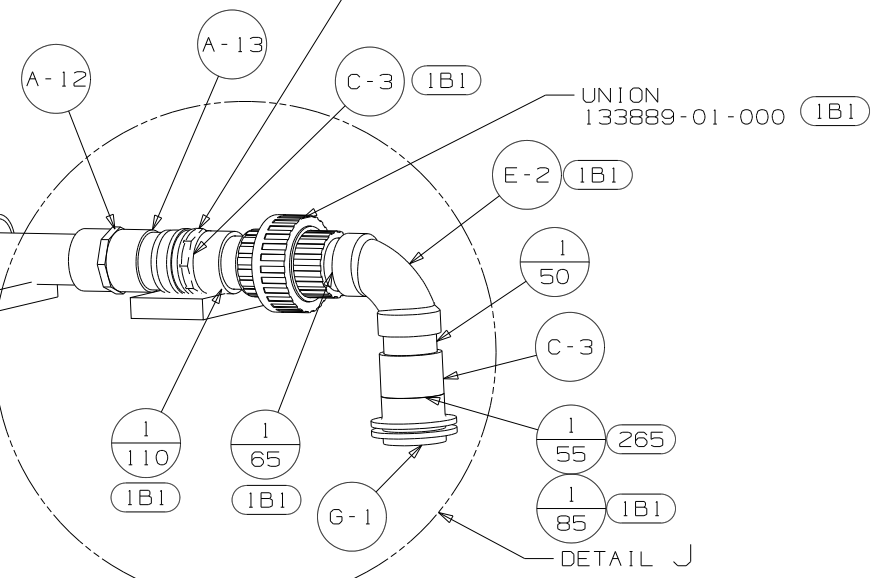
PRIMER  
126427-02-000  
CEMENT  
126427-01-000  
126427-03-000

BRACKET-COVER  
142526-03-CHT

ELBOW  
136111-01-000

CLAMP  
083610-02-000 (2)  
SCREW  
G39-10-12U (2)

UNION  
133889-01-000 (1B1)

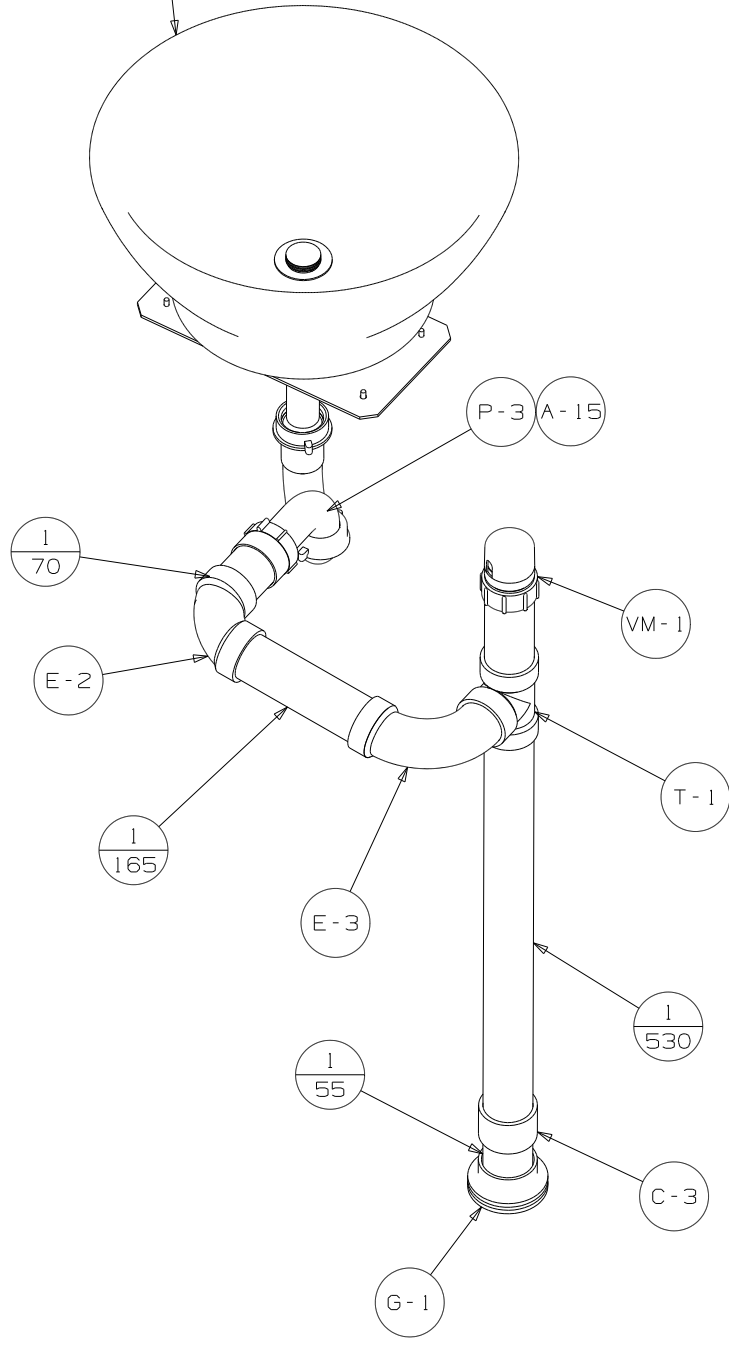


VIEW A

FIRST USED	09 R40WD		
TITLE	DO NOT SCALE DRAWING		
	DRAINAGE SYSTEM INSTL		
SHEET 2	PART NO	166345	REV
			1 3/10/2009

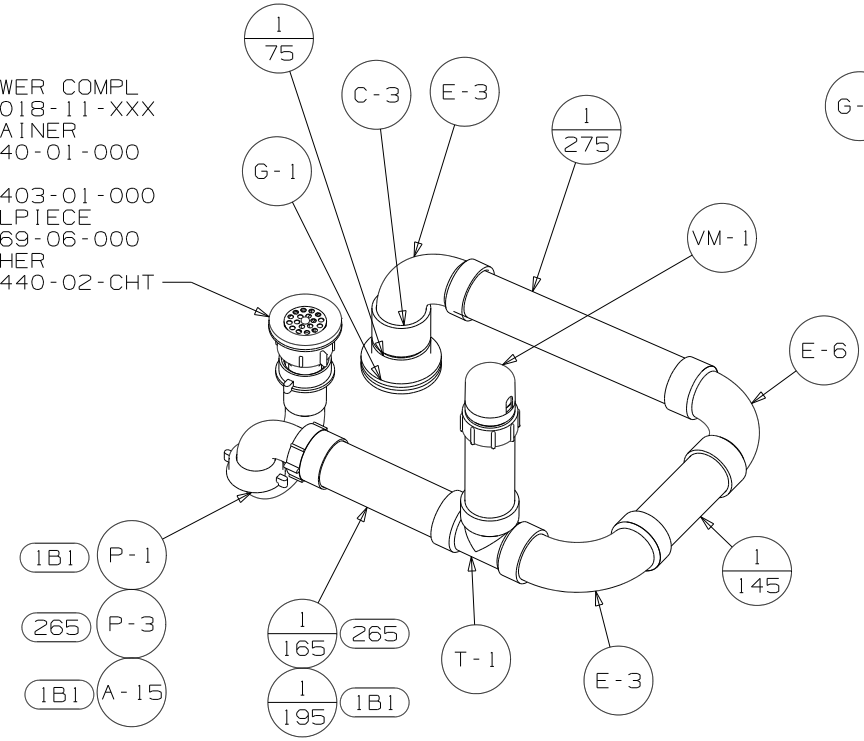
SINK - LAVATORY, VESSEL  
 165310-01-CHT  
 WASTE ASM-LAV, W/POP-UP  
 165753-01-CHT  
 PLATE  
 165361-01-CHT  
 SCREW  
 G67-10-08B (4)  
 NUT-DRAINAGE, SINK, 1 1/2-28  
 167042-01-CHT

SINK - LAVATORY, VESSEL  
 165310-01-CHT  
 WASTE ASM-LAV, W/POP-UP  
 165753-01-CHT  
 PLATE  
 165361-01-CHT  
 SCREW  
 G67-10-08B (4)  
 NUT-DRAINAGE, SINK  
 167042-01-CHT

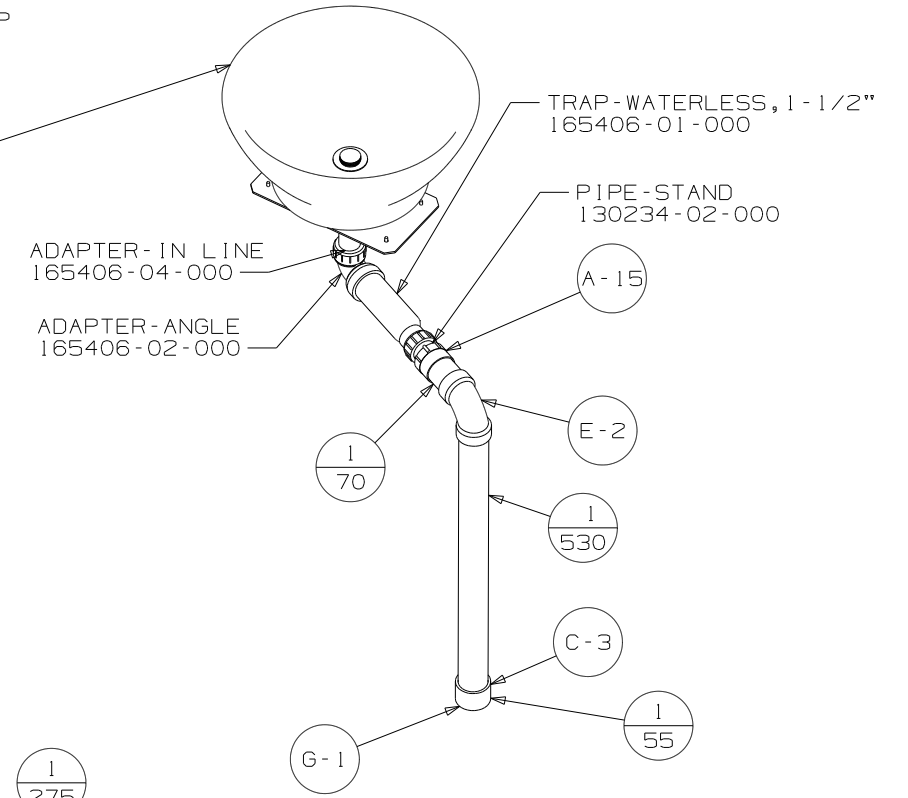


VIEW C  
 (265)

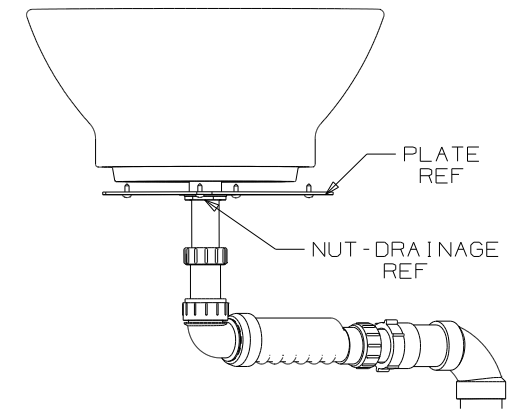
SHOWER COMPL  
 142018-11-XXX  
 STRAINER  
 66440-01-000  
 NUT  
 130403-01-000  
 TAILPIECE  
 11069-06-000  
 WASHER  
 127440-02-CHT



VIEW C  
 (1B1)  
 (265)

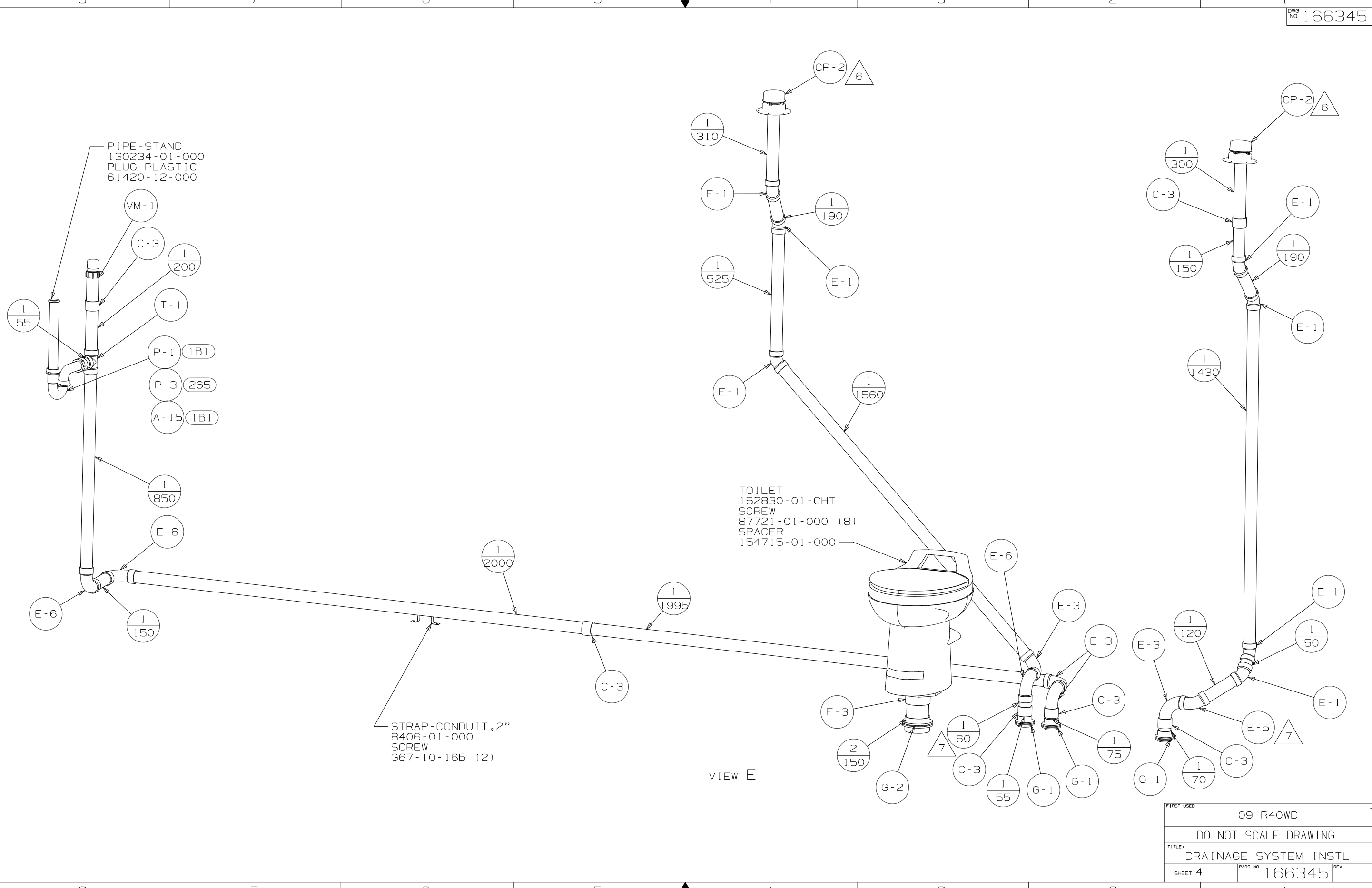


VIEW C  
 (1B1)

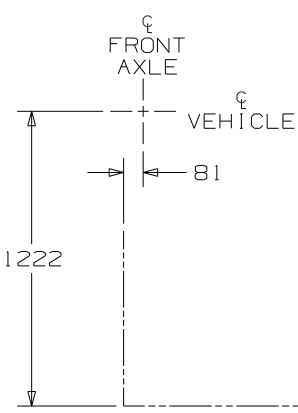


VIEW D

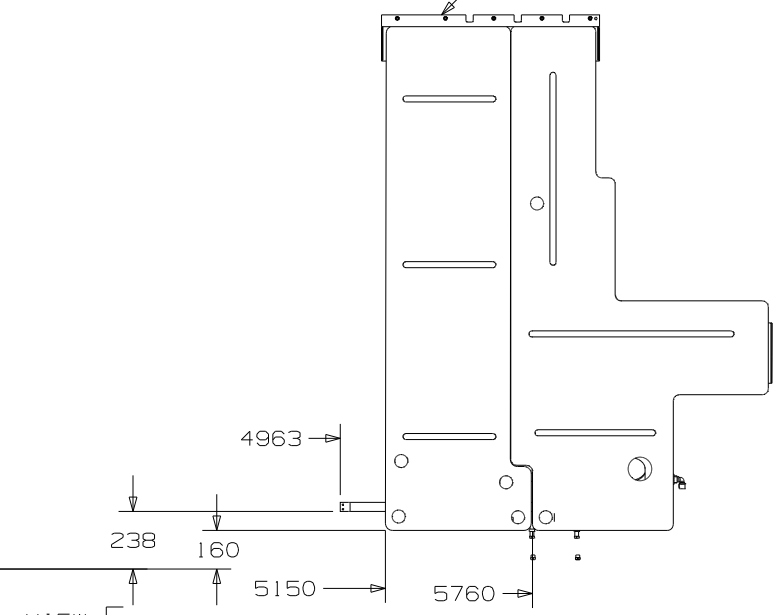
FIRST USED	09 R40WD		
TITLE	DO NOT SCALE DRAWING		
	DRAINAGE SYSTEM INSTL		
SHEET 3	PART NO	166345	REV
			1 3/10/2009



FIRST USED	09 R40WD	
TITLE	DO NOT SCALE DRAWING	
	DRAINAGE SYSTEM INSTL	
SHEET 4	PART NO	166345 REV
	1 3/10/2009	



BRACKET-ASM TANK  
158968-02-CHT



BRACKET-DRAINAGE TANK  
146080-02-CHT (2)

H-2 VALVE-SEWER  
144728-01-000  
V-11 CLAMP-HOSE  
62401-09-000

2/60 C-2

SUPPORT ASM-HOLDING TANK  
161762-02-CHT  
SCREW  
G39-10-20T (4)

2/95

E-18

N-3

TANK-HOLDING, 67 GAL, GRY, RR  
163063-03-000

N-3

PLATFORM-HOLDING TANK  
126714-10-000

E-18

C-2

PLATFORM-HOLDING TANK  
126714-49-000

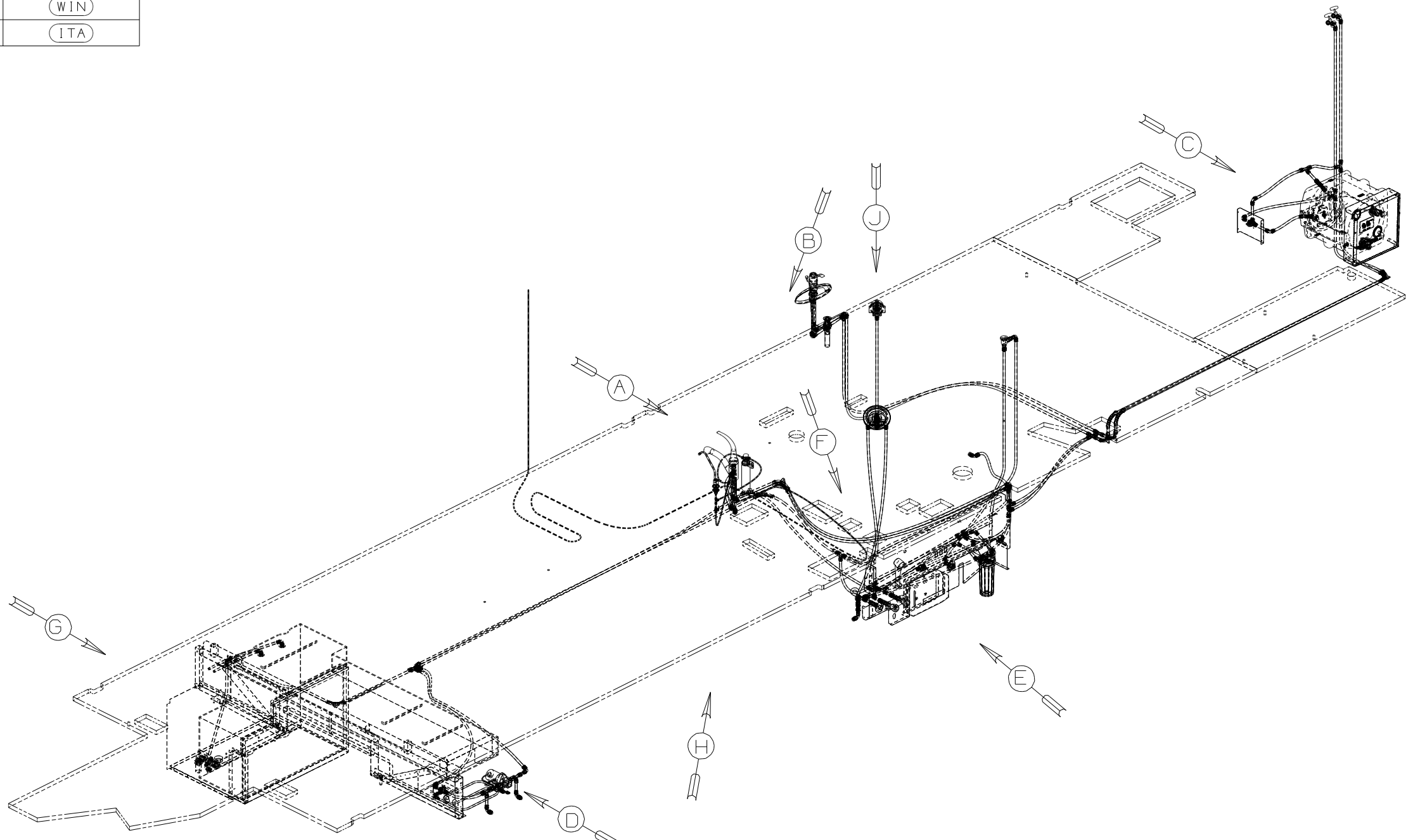
TANK-HOLDING, 54 GAL  
163062-03-000

VIEW G

FIRST USED	09 R40WD	
TITLE	DO NOT SCALE DRAWING	
	DRAINAGE SYSTEM INSTL	
SHEET 5	PART NO 166345	REV

DWG NO	--
166344-01	(WIN)
166344-02	(ITA)

RELEASE	REV DATE	DWG NO
A		166344
REV ZONE	REVISION RECORD	DATE DFR-0R16



- (WIN) WINNEABAGO ONLY
- (ITA) ITASCA ONLY
- (54E) WASHER/DRYER
- (21M) WASHER/DRYER PREP

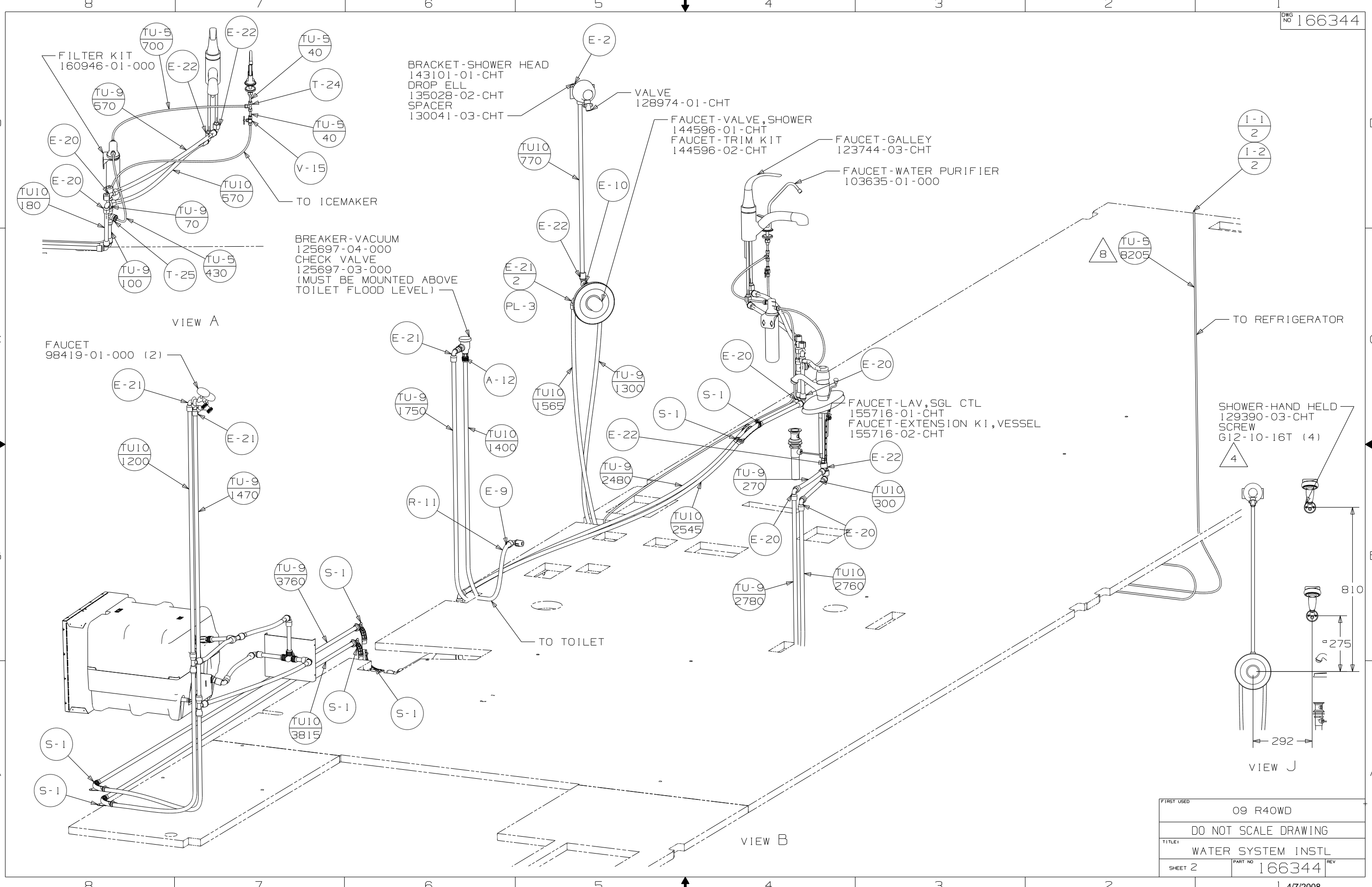
- △ 8 CLAMP ICEMAKER LINE TO SIDEWALL, AWAY FROM BURNER BOX ON REFRIGERATOR.
- △ 7 ADD PIPE WRAP (LADDER SCRAP 110157-02-000) INSULATION.
- △ 6 ADD TEFLON TAPE 10405-03-000.
- △ 5 ADD TEFLON TAPE 10405-02-000.
- △ 4 ADD TEFLON TAPE 10405-01-000.

3. ALL TUBING TO BE SECURED AT 1200 INTERVALS MAXIMUM WITH CLAMP 10495-01-000 AND SCREW G67-10-12B OR EQUIVALENT.
2. TUBING TO BE INSTALLED WITH SUFFICIENT SLOPE TO PROVIDE DRAINAGE TO NEAREST VALVE.
1. PLASTIC FITTINGS TO BE SEALED WITH SEALANT 84456-01-000.

NOTES:

(X-X)  
FOR  
WATER  
CALLOUTS  
SEE DWG NO  
116230-01-000

<b>WINNEBAGO</b>		COPYRIGHT 2008 WINNEBAGO INDUSTRIES, INC.	
D/FR	ORIG. DATE	ALL DIMENSIONS ARE IN MILLIMETERS	
CHKR		FIRST USED	
P.E.		09 R40WD	
M.E.		UNSPECIFIED TOLERANCES ARE:	
DSNR		MATERIAL:	
		WHOLE DIM (X)	: 3
		ONE-PLACE (X.X)	: 1.5
		TWO-PLACE (X.XX)	: 0.50
		ANGLE	: 1°
THIRD ANGLE PROJECTION		DO NOT SCALE DRAWING	
TITLE: WATER SYSTEM INSTL			
SHEET 1 OF 5	PART NO	166344	REV
REF:	1 4/7/2008		



BRACKET-SHOWER HEAD  
143101-01-CHT  
DROP ELL  
135028-02-CHT  
SPACER  
130041-03-CHT

VALVE  
128974-01-CHT

FAUCET-VALVE, SHOWER  
144596-01-CHT  
FAUCET-TRIM KIT  
144596-02-CHT

FAUCET-GALLEY  
123744-03-CHT

FAUCET-WATER PURIFIER  
103635-01-000

BREAKER-VACUUM  
125697-04-000  
CHECK VALVE  
125697-03-000  
(MUST BE MOUNTED ABOVE  
TOILET FLOOD LEVEL)

FAUCET-LAV, SGL CTL  
155716-01-CHT  
FAUCET-EXTENSION K1, VESSEL  
155716-02-CHT

SHOWER-HAND HELD  
129390-03-CHT  
SCREW  
G12-10-16T (4)

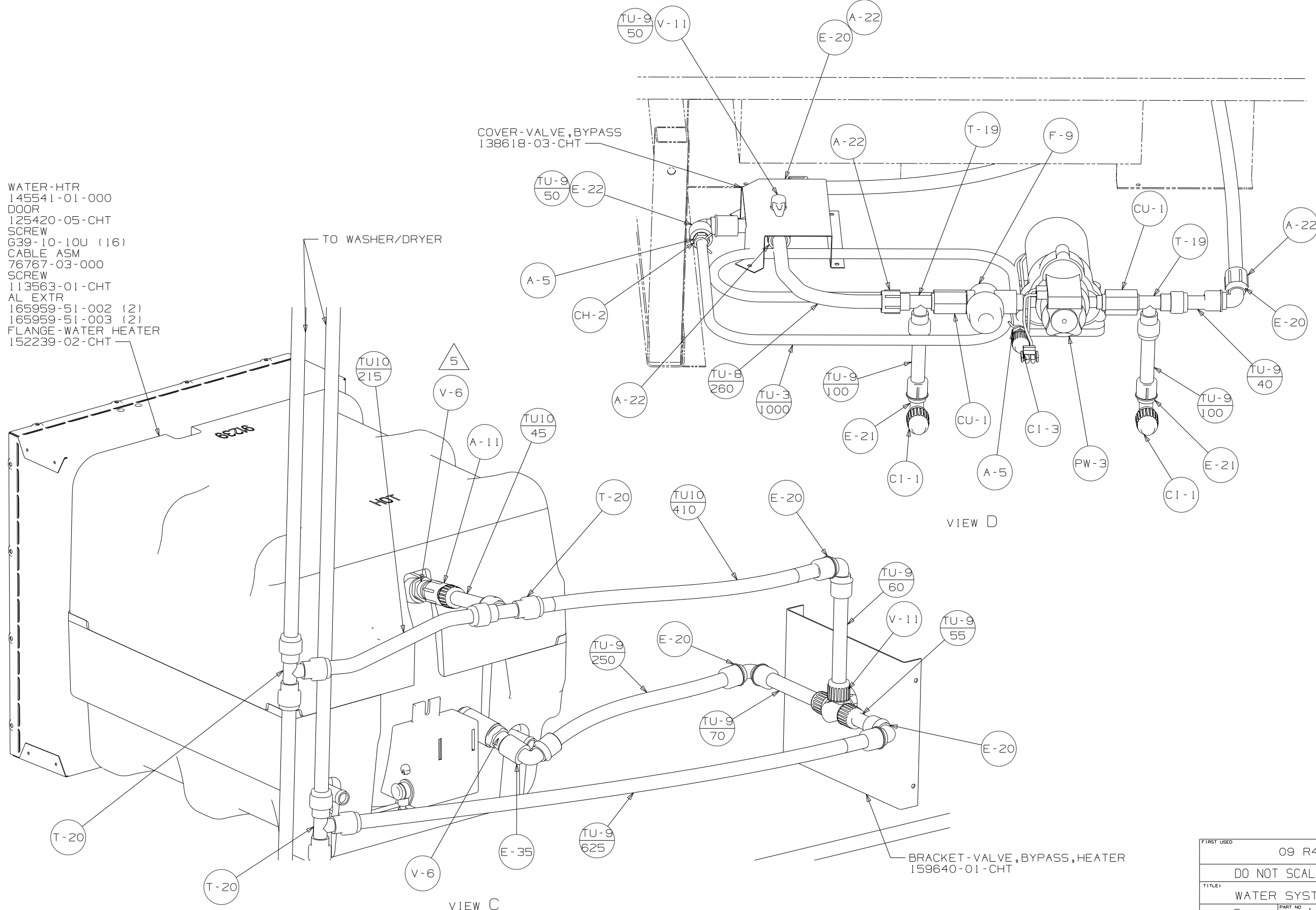
VIEW A

VIEW B

VIEW J

FIRST USED	09 R40WD	
TITLE	DO NOT SCALE DRAWING	
TITLE	WATER SYSTEM INSTL	
SHEET 2	PART NO	REV
	166344	

- WATER-HTR  
145541-01-000
- DOOR  
125420-05-CHT
- SCREW  
G39-10-10U (16)
- CABLE ASM  
76767-03-000
- SCREW  
113563-01-CHT
- AL EXTR
- 165959-51-002 (2)
- 165959-51-003 (2)
- FLANGE-WATER HEATER  
152239-02-CHT



FIRST USED	09 R40WD		
TITLE:	DO NOT SCALE DRAWING		
	WATER SYSTEM INSTL		
SHEET 3	PART NO	166344	REV



SERVICE CENTER ASM  
145207-14-XXX

SERVICE CENTER ASM  
157511-02-XXX

TO TOILET

VIEW E

VIEW F

E-20  
E-20  
TU-9  
100  
TU10  
100

TU10  
1240

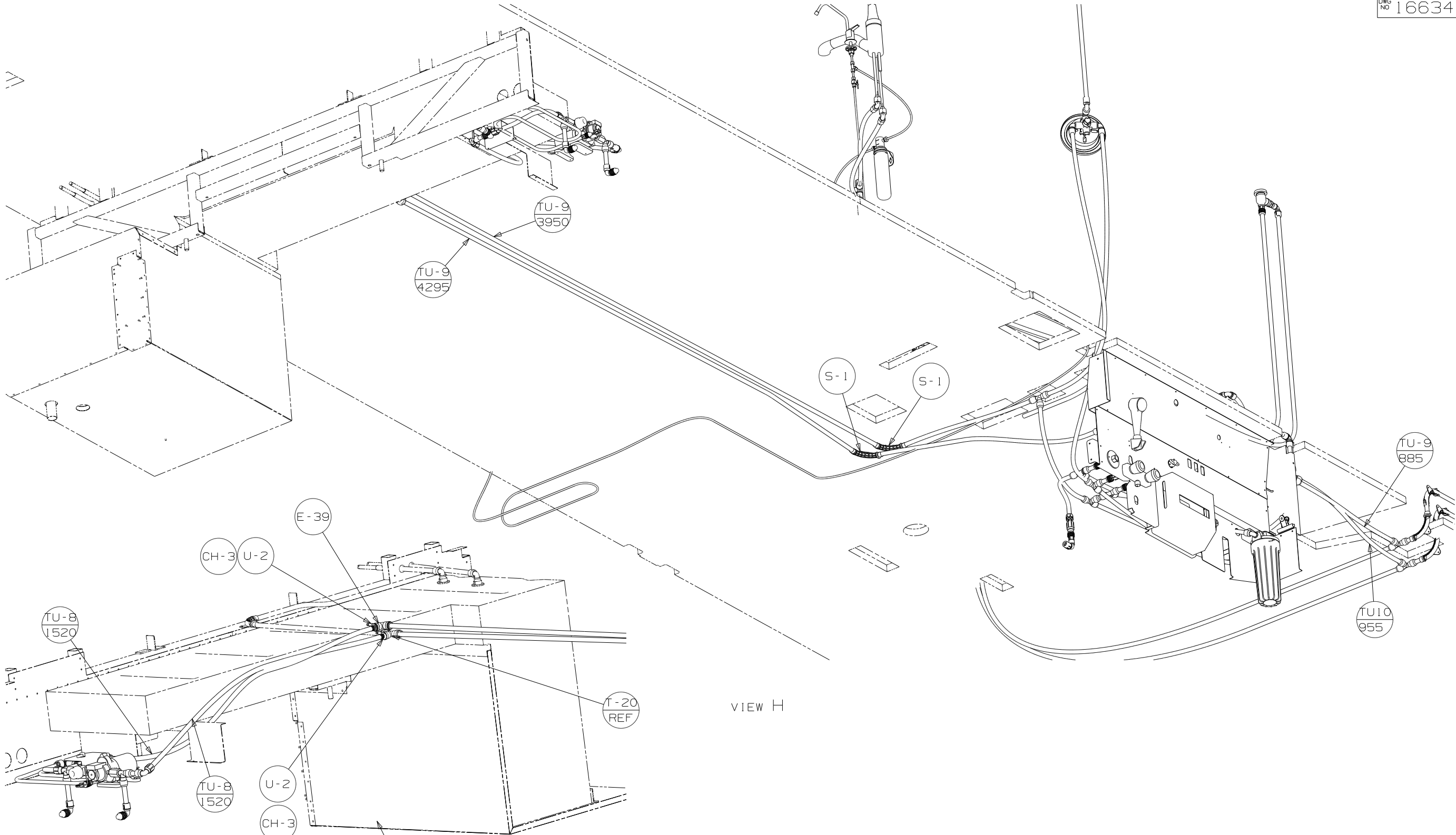
TU-9  
1000

T-20

TU-9  
180

T-19

FIRST USED	09 R40WD	
TITLE	DO NOT SCALE DRAWING	
TITLE	WATER SYSTEM INSTL	
SHEET 4	PART NO 166344	REV



VIEW G

VIEW H

TANK INSTL  
(SEE FRAME ASM-CHASSIS)

FIRST USED	09 R40WD	
TITLE	DO NOT SCALE DRAWING	
	WATER SYSTEM INSTL	
SHEET 5	PART NO 166344	REV