

FRONT
OF
COACH

- (1B1) CODES/STANDARDS USA
- (265) CODES/STDS-CSA,CMVSS
- (54E) WASHER DRYER
- (21M) WASHER/DRYER PREP
- (214) DISHWASHER DRAWER STYLE
- (215) DISHWASHER WITHOUT

- 8 USE SMOOTH PLUMBERS PUTTY 167459-01-000 TO SEAL STRAINER (0.2 PER STRAINER).
- 7 SECURE VENT PIPE TO FLOOR WITH CLAMP 62401-02-000 (2), SCREW G67-10-12B (2), BRACKET 136878-01-CHT (2).
- 6 VENT PIPE MUST PROJECT 51 MIN AND 64 MAX ABOVE ROOF FOR PROPER FIT AND FUNCTION.
- 5. SEAL AROUND SHOWER WITH SILICONE.
- 4. SECURE DRAINAGE PIPES TO CABINET USING WIRE TIE 108046-02-000, AND SCREW G67-10-12B AT INTERVALS OF NOT MORE THAN 4 FEET APART.
- 3. ALL PIPE AND FITTINGS TO BE ASSEMBLED WITH SOLVENT 4020-01-000 (USA), 4020-02-000 (CAN)
- 2. SLOPE OF TRAP ARM MUST BE 6 PER 305 mm.
- 1. SLOPE OF HORIZONTAL PIPING TO BE MINIMUM OF 3 PER 305mm.

NOTES:

WINNEBAGO		COPYRIGHT 2008 WINNEBAGO INDUSTRIES, INC.	
DFTR	ORIG. DATE	ALL DIMENSIONS ARE IN MILLIMETERS	
CHKR		FIRST USED	
P.E.		09 R40TD	
M.E.		UNSPECIFIED TOLERANCES ARE:	
DSNR		MATERIAL:	
		WHOLE DIM (X)	: 3
		ONE-PLACE (X.X)	: 1.5
		TWO-PLACE (X.XX)	: 0.50
		ANGLE	: 1°
THIRD ANGLE PROJECTION		DO NOT SCALE DRAWING	
FOR DRAINAGE CALLOUTS SEE DWG NO 116229-01-000		TITLE: DRAINAGE SYSTEM INSTL	
SHEET 1 OF 4	PART NO 165001	REV	
REF:	12/8/2008		

FOR
DRAINAGE
CALLOUTS
SEE DWG NO
116229-01-000

DO NOT SCALE DRAWING

TITLE:
DRAINAGE SYSTEM INSTL

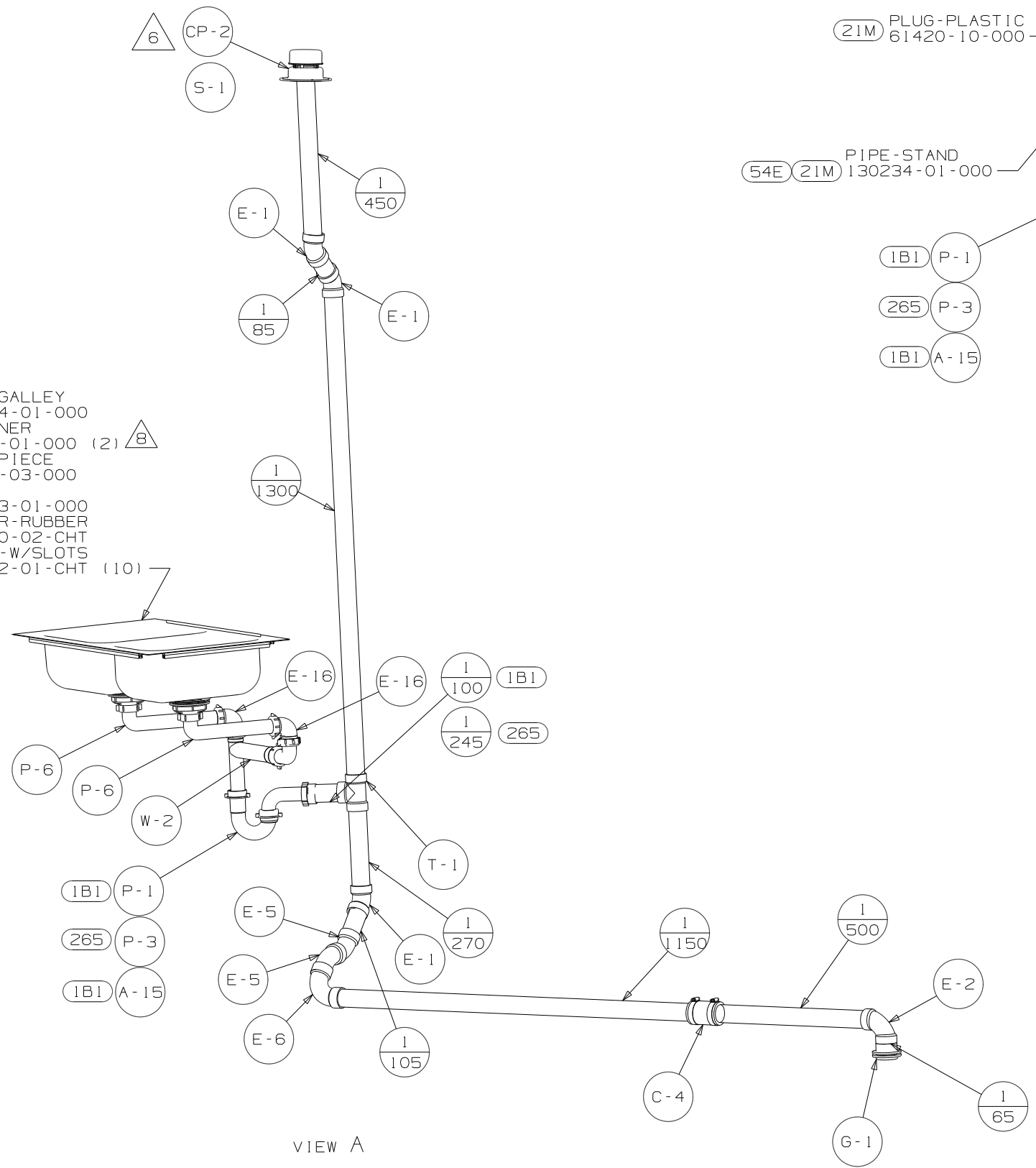
SHEET 1 OF 4 PART NO 165001 REV

SINK-GALLEY
 110654-01-000
 STRAINER
 92303-01-000 (2) 8
 TAIL PIECE
 11069-03-000
 NUT
 130403-01-000
 WASHER-RUBBER
 127440-02-CHT
 ANGLE-W/SLOTS
 140002-01-CHT (10)

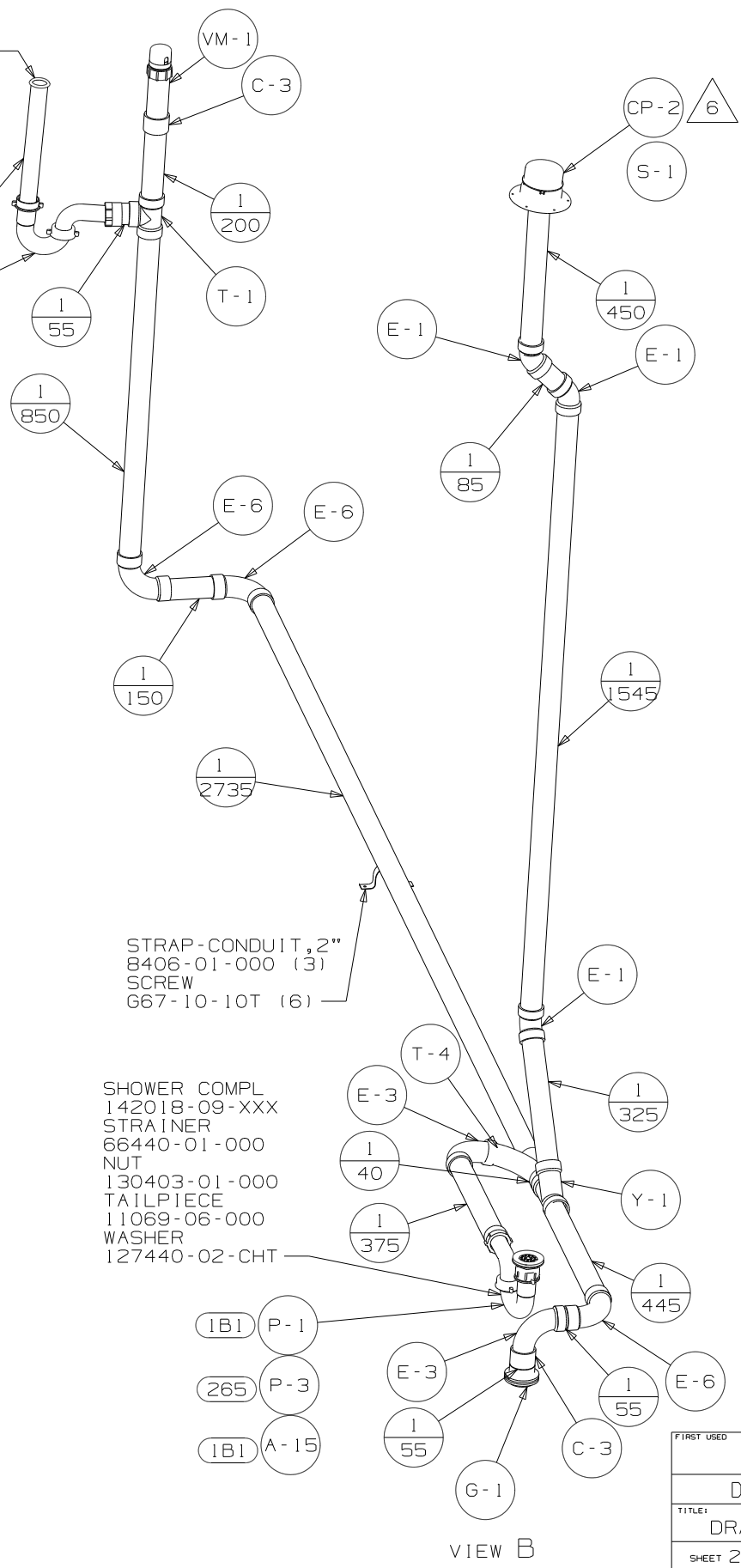
(21M) PLUG-PLASTIC
 61420-10-000
 (54E) (21M) PIPE-STAND
 130234-01-000
 (1B1) P-1
 (265) P-3
 (1B1) A-15

STRAP-CONDUIT, 2"
 8406-01-000 (3)
 SCREW
 G67-10-10T (6)

SHOWER COMPL
 142018-09-XXX
 STRAINER
 66440-01-000
 NUT
 130403-01-000
 TAILPIECE
 11069-06-000
 WASHER
 127440-02-CHT



VIEW A

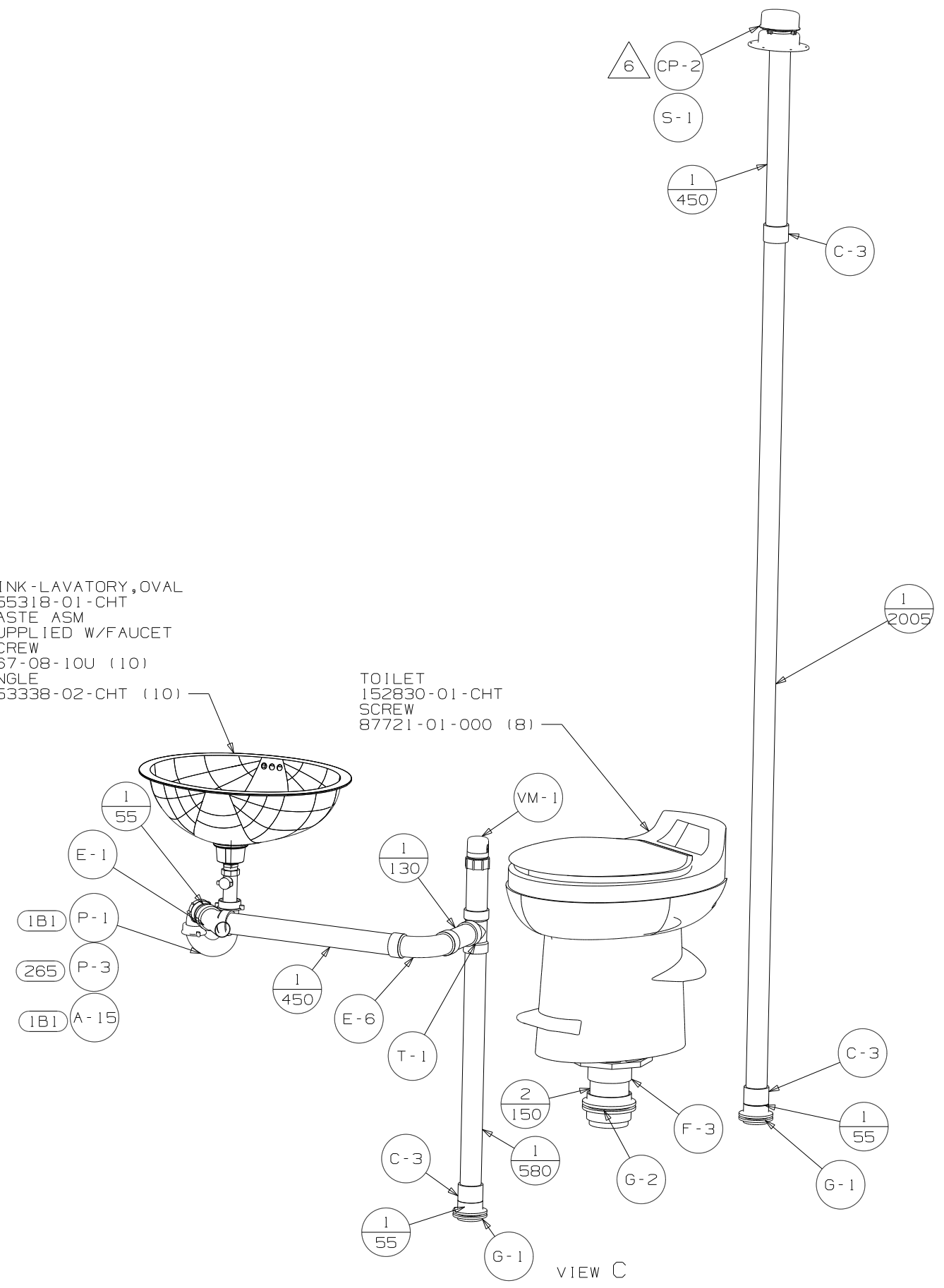


VIEW B

FIRST USED	09 R40TD	
DO NOT SCALE DRAWING		
TITLE:	DRAINAGE SYSTEM INSTL	
SHEET 2	PART NO	165001
REV		

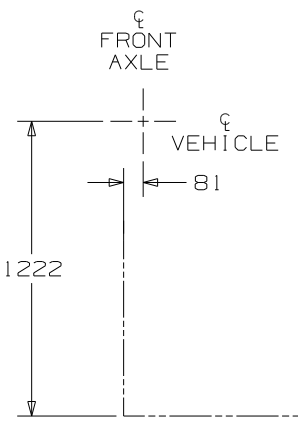
SINK - LAVATORY, OVAL
155318-01-CHT
WASTE ASM
SUPPLIED W/FAUCET
SCREW
G67-08-10U (10)
ANGLE
153338-02-CHT (10)

TOILET
152830-01-CHT
SCREW
87721-01-000 (8)



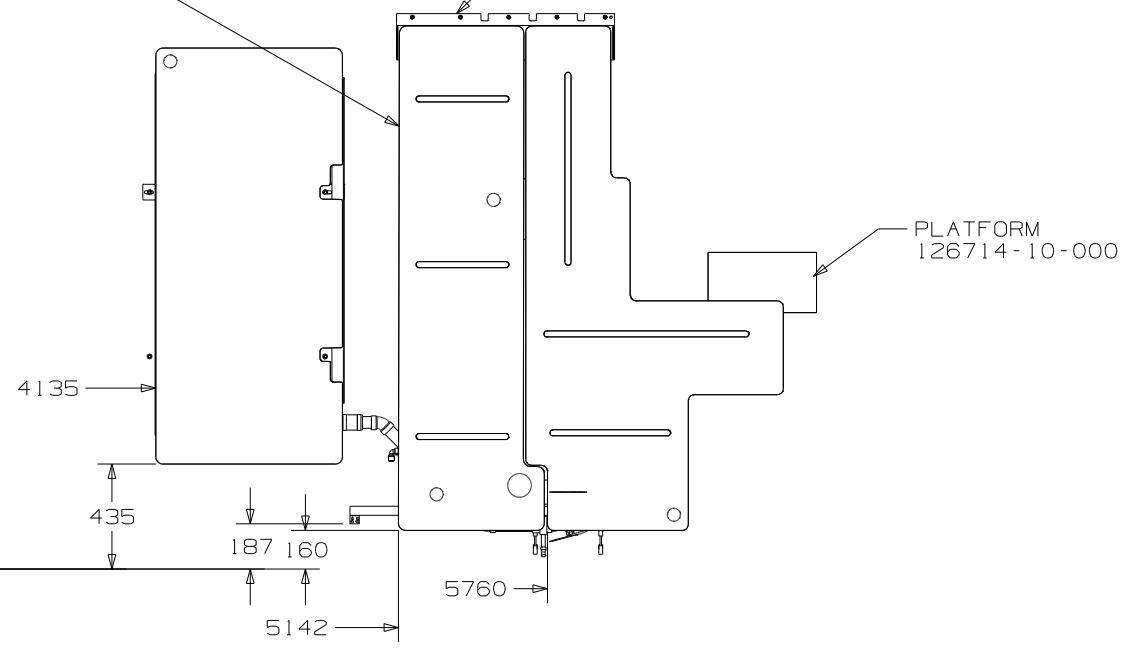
VIEW C

FIRST USED	09 R40TD	
TITLE	DO NOT SCALE DRAWING	
	DRAINAGE SYSTEM INSTL	
SHEET 3	PART NO 165001	REV

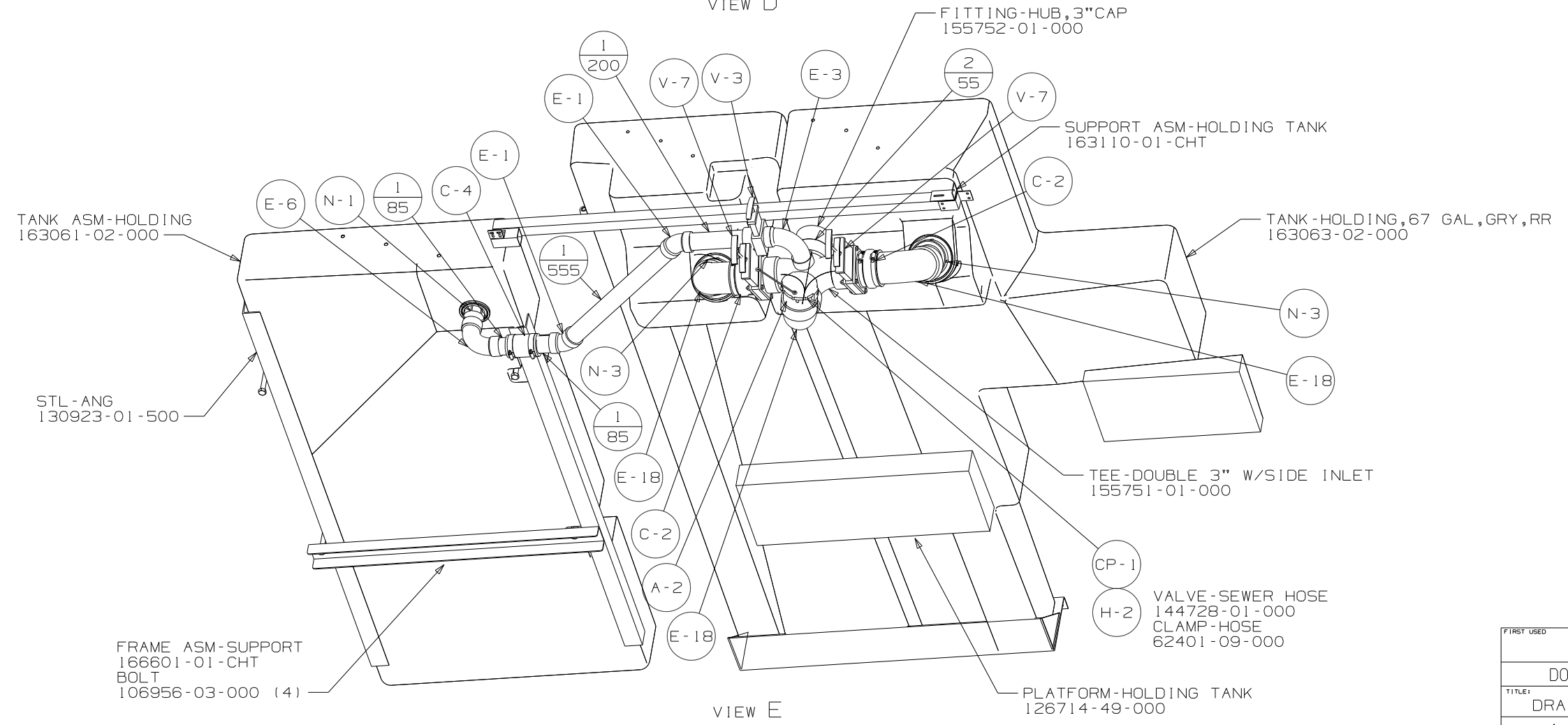


TANK-HOLDING, 52 GAL, BLK, FRT
163062-02-000

BRACKET-ASM TANK
158968-02-CHT



VIEW D

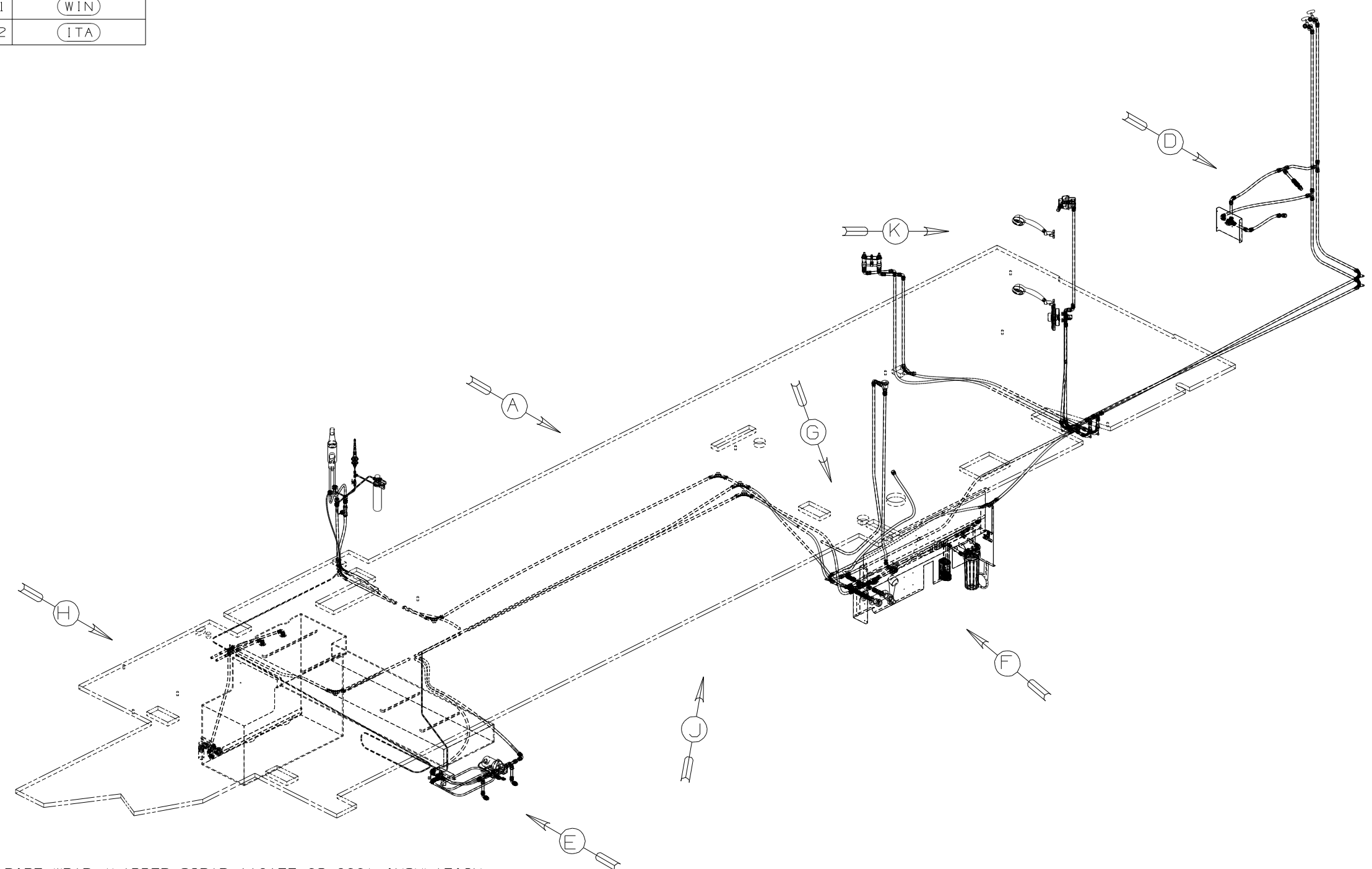


VIEW E

FIRST USED	09 R40TD	
DO NOT SCALE DRAWING		
TITLE	DRAINAGE SYSTEM INSTL	
SHEET 4	PART NO 165001	REV

DWG NO	--
165002-01	(WIN)
165002-02	(ITA)

RELEASE	REV DATE	DWG NO
A		165002
REV ZONE	REVISION RECORD	DATE

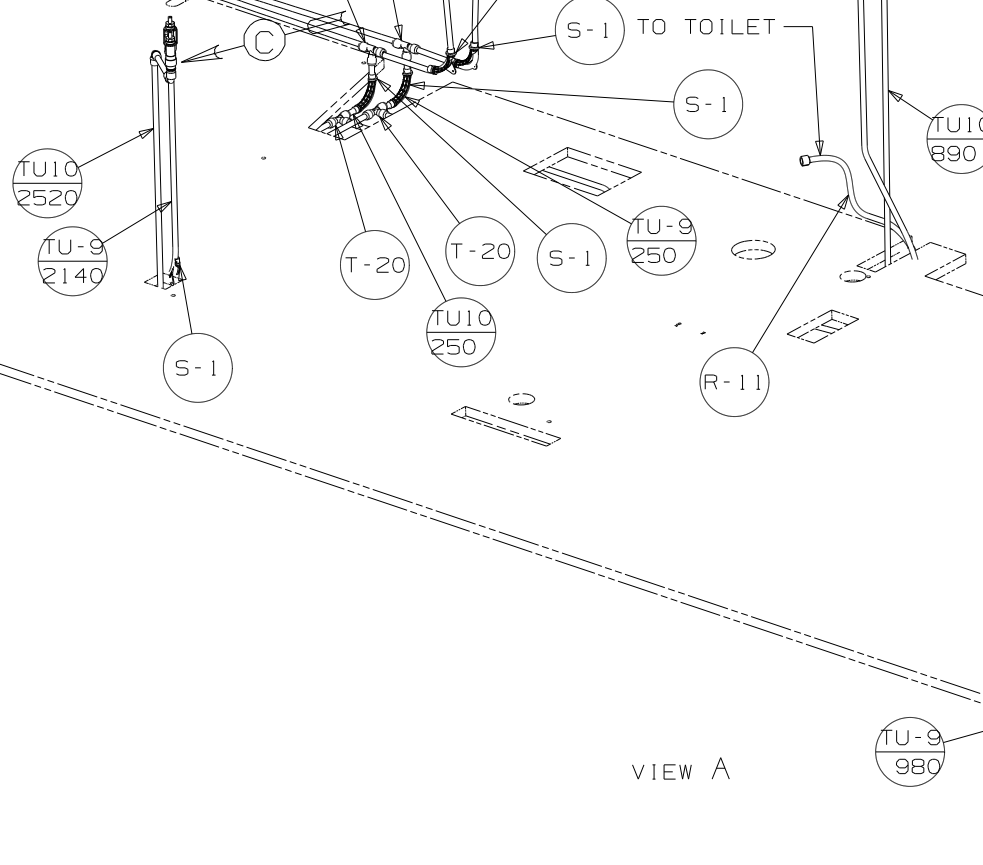
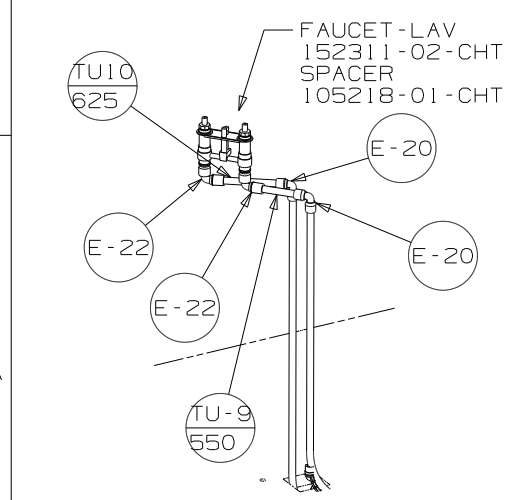
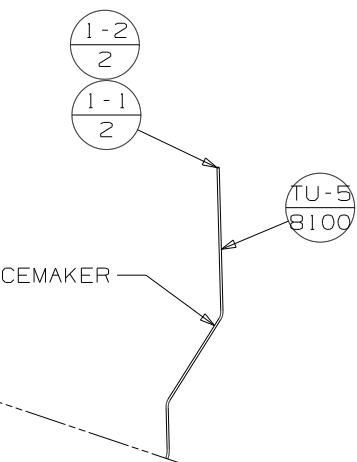
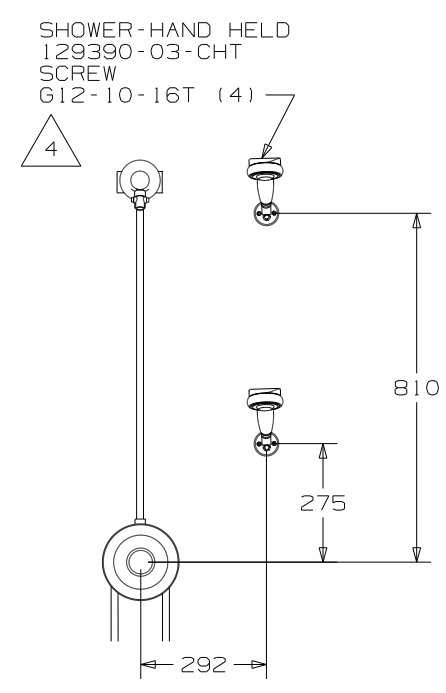
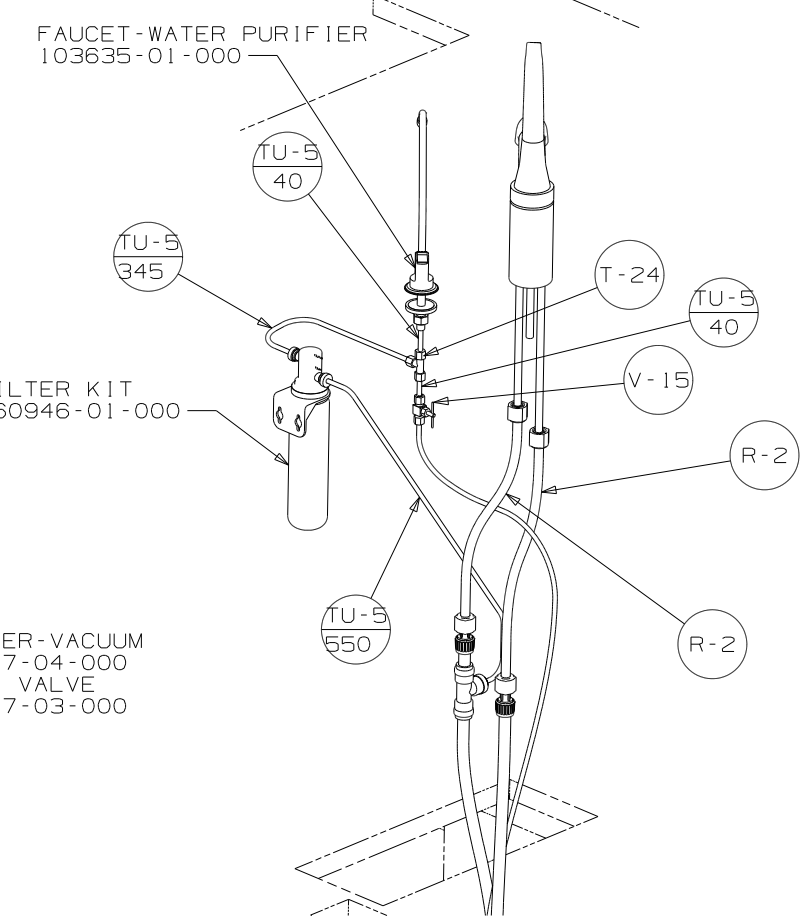
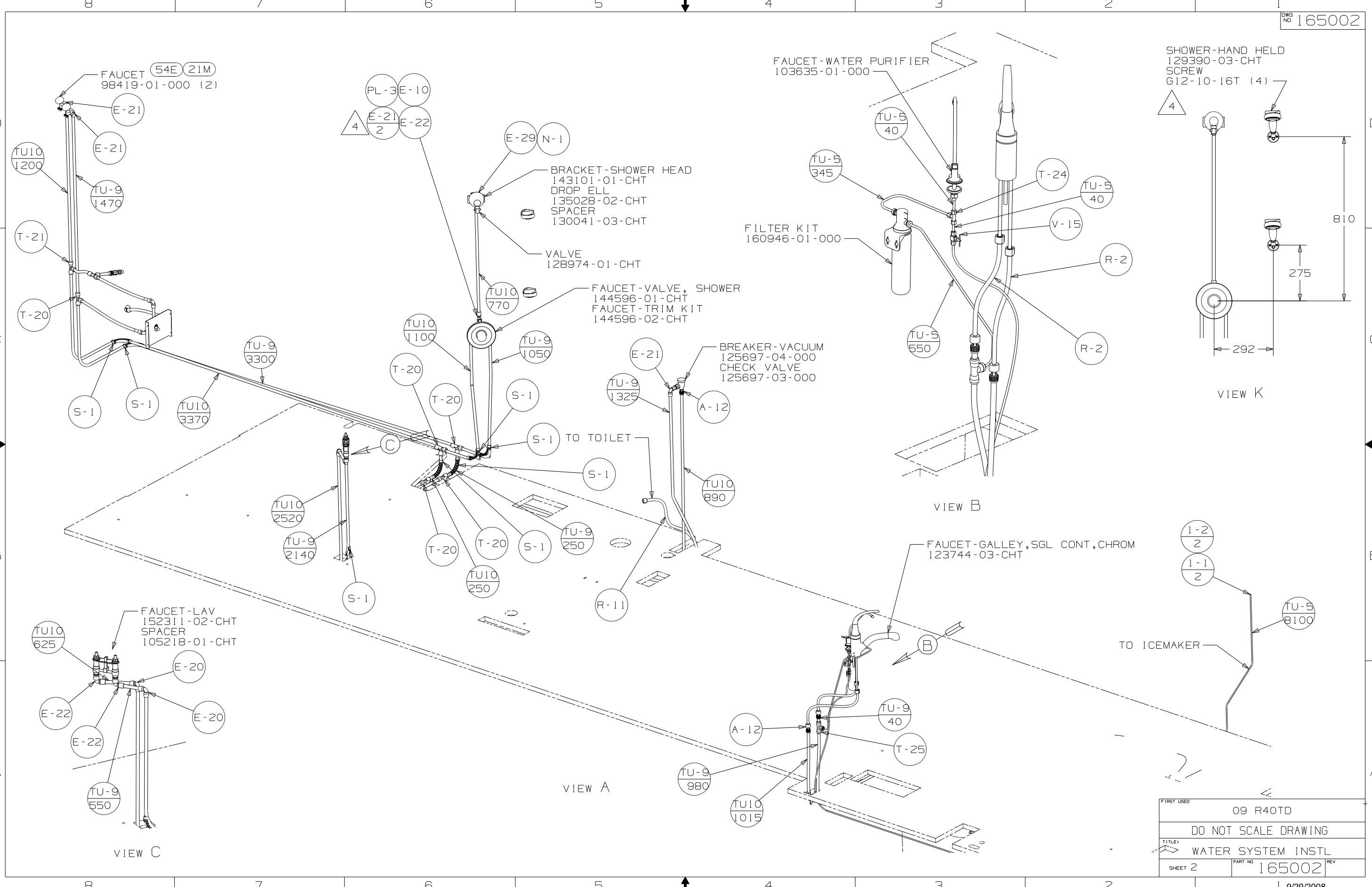


- (WIN) WINNEABAGO ONLY
- (ITA) ITASCA ONLY
- (54E) WASHER/DRYER
- (21M) WASHER/DRYER PREP

- NOTES:
- 7. ADD PIPE WRAP (LADDER SCRAP 110157-02-000) INSULATION.
 - 6. ADD TEFLON TAPE 10405-03-000.
 - 5. ADD TEFLON TAPE 10405-02-000.
 - 4. ADD TEFLON TAPE 10405-01-000.
3. ALL TUBING TO BE SECURED AT 1200 INTERVALS MAXIMUM WITH CLAMP 10495-01-000 AND SCREW G67-10-12B OR EQUIVALENT.
 2. TUBING TO BE INSTALLED WITH SUFFICIENT SLOPE TO PROVIDE DRAINAGE TO NEAREST VALVE.
 1. PLASTIC FITTINGS TO BE SEALED WITH SEALANT 84456-01-000.

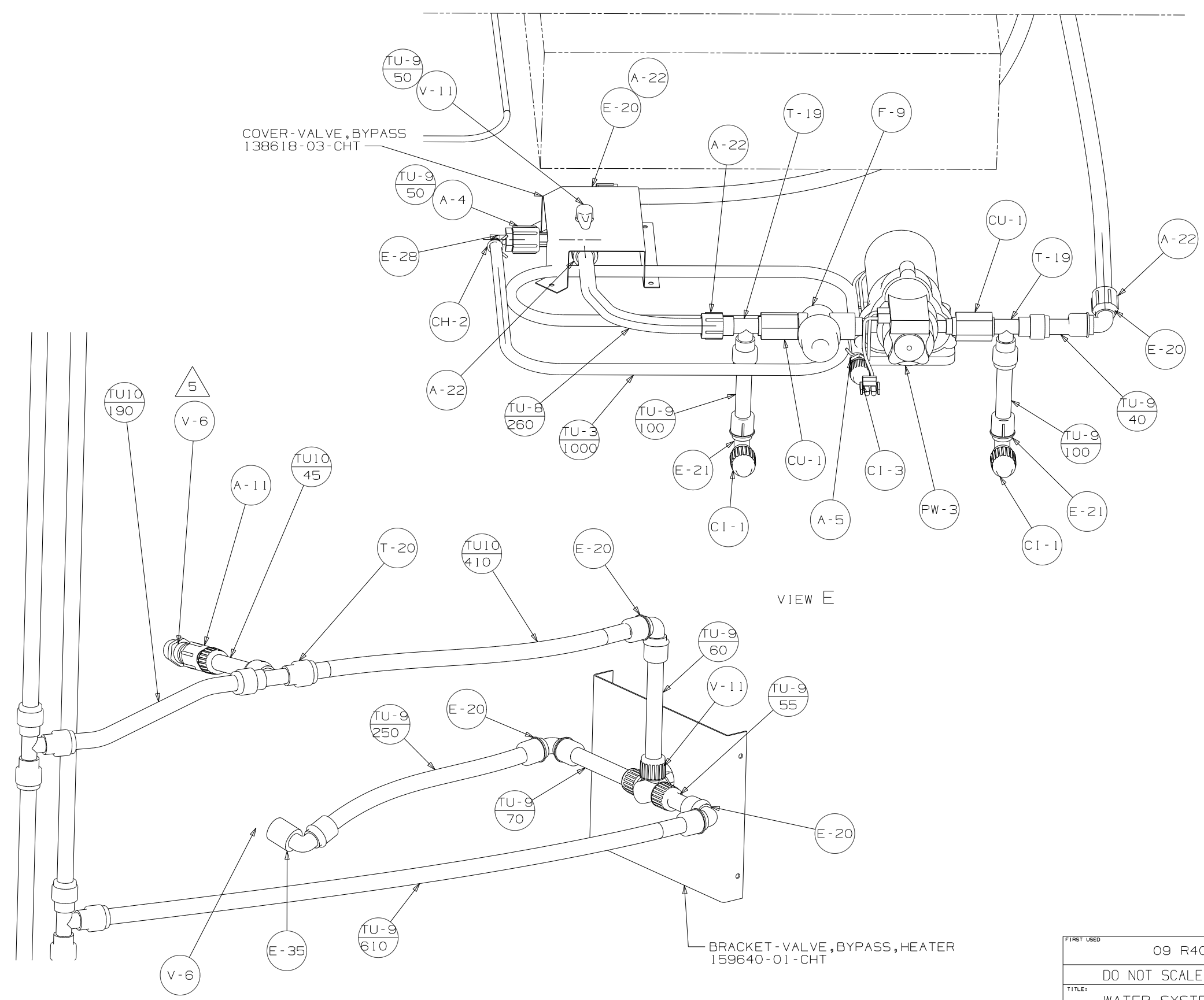
(X-X)
FOR
WATER
CALLOUTS
SEE DWG NO
116230-01-000

WINNEBAGO		COPYRIGHT 2008 WINNEBAGO INDUSTRIES, INC.	
DFT	ORIG. DATE	ALL DIMENSIONS ARE IN MILLIMETERS	
CHKR		FIRST USED	
P.E.		09 R40TD	
M.E.		UNSPECIFIED TOLERANCES ARE:	
DSNR		MATERIAL:	
		WHOLE DIM (X)	: 3
		ONE-PLACE (X.X)	: 1.5
		TWO-PLACE (X.XX)	: 0.50
		ANGLE	: 1°
THIRD ANGLE PROJECTION		DO NOT SCALE DRAWING	
TITLE: WATER SYSTEM INSTL			
SHEET 1 OF 5	PART NO	165002	REV



FIRST USED	09 R40TD	
TITLE	DO NOT SCALE DRAWING	
SHEET 2	PART NO	165002
REV		
1 9/29/2008		

- WATER-HTR
145541-01-000
- DOOR
125420-05-CHT
- SCREW
G39-10-10U (16)
- CABLE ASM
76767-03-000
- SCREW
113563-01-CHT
- AL EXTR
- 165959-51-002 (2)
- 165959-51-003 (2)
- FLANGE-WATER HEATER
152239-02-CHT

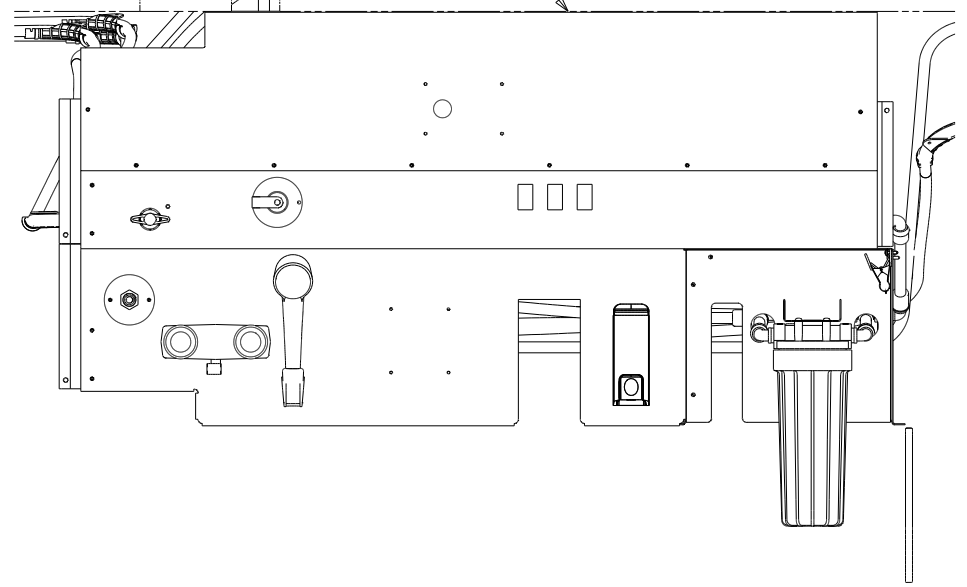


VIEW D

VIEW E

FIRST USED	09 R40TD	
TITLE:	DO NOT SCALE DRAWING	
	WATER SYSTEM INSTL	
SHEET 3	PART NO	165002
	REV	

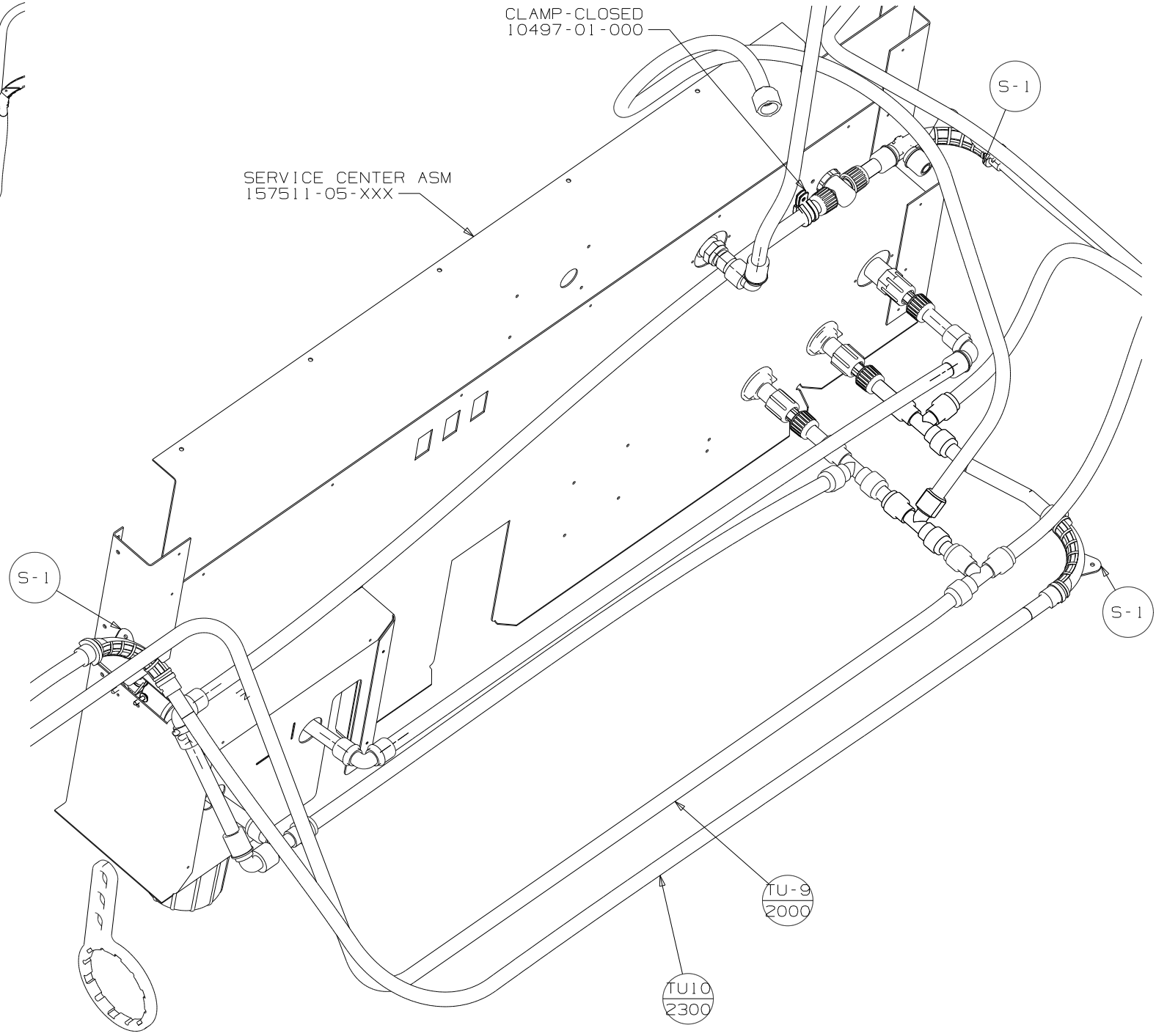
SERVICE CENTER ASM
163268-02-XXX



VIEW F

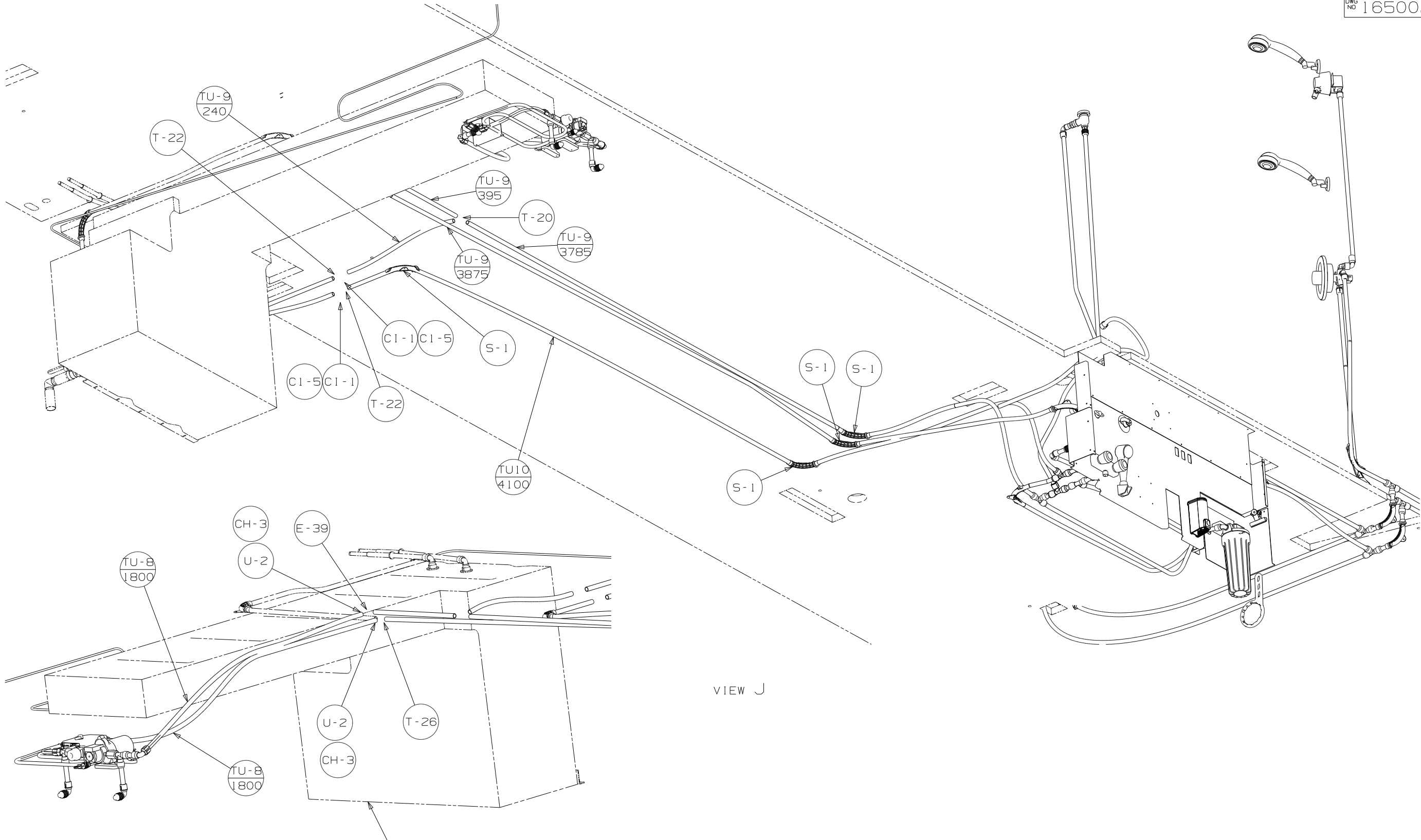
CLAMP - CLOSED
10497-01-000

SERVICE CENTER ASM
157511-05-XXX



VIEW G

FIRST USED	09 R40TD		
TITLE	DO NOT SCALE DRAWING		
TITLE	WATER SYSTEM INSTL		
SHEET 4	PART NO	165002	REV



VIEW J

VIEW H

TANK INSTL
(SEE FRAME ASM-CHASSIS)

FIRST USED	09 R40TD		
TITLE	DO NOT SCALE DRAWING		
	WATER SYSTEM INSTL		
SHEET 5	PART NO	165002	REV