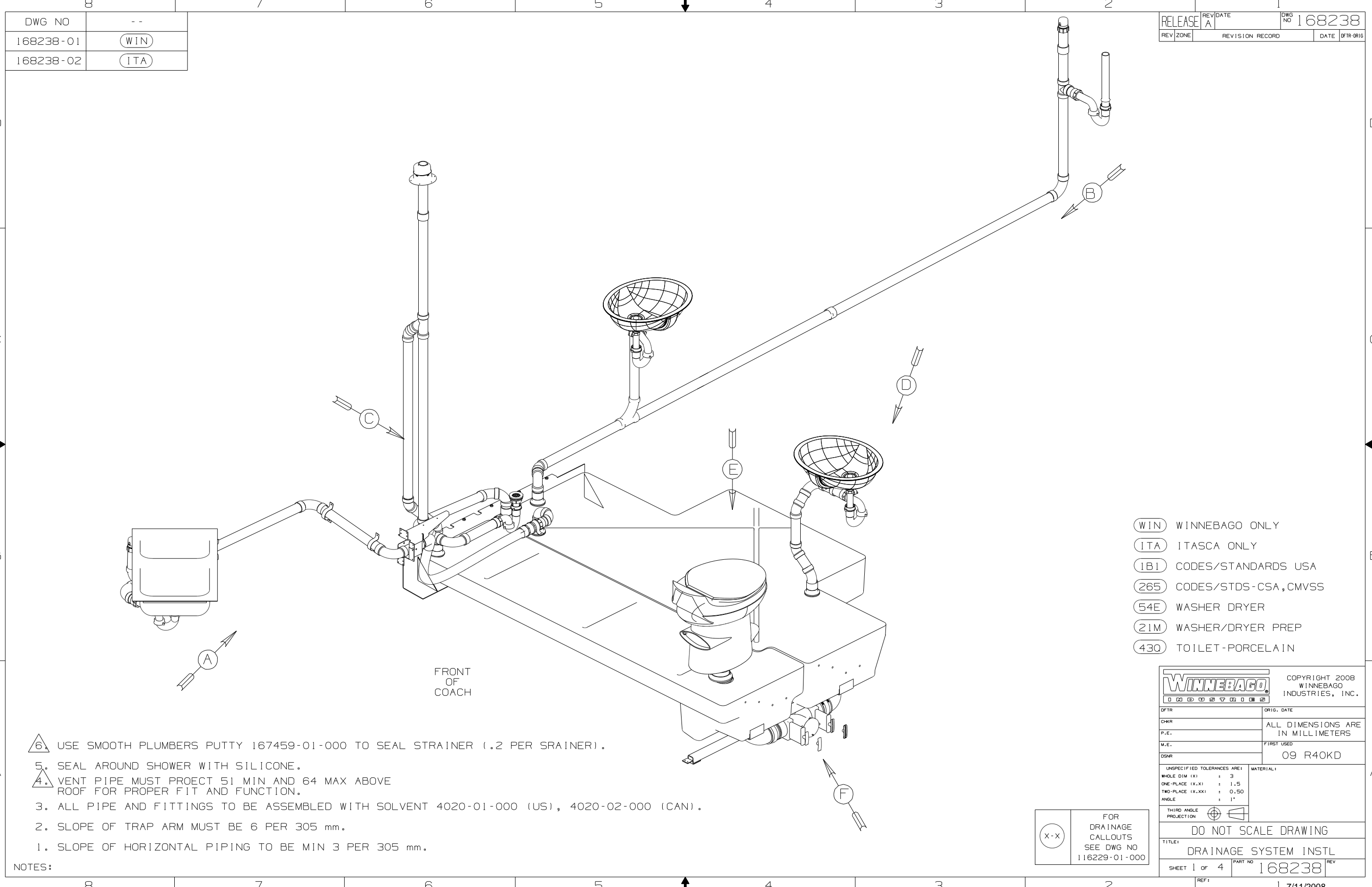


DWG NO	--
168238-01	(WIN)
168238-02	(ITA)

RELEASE	REV DATE	DWG NO
A		168238
REV ZONE	REVISION RECORD	DATE



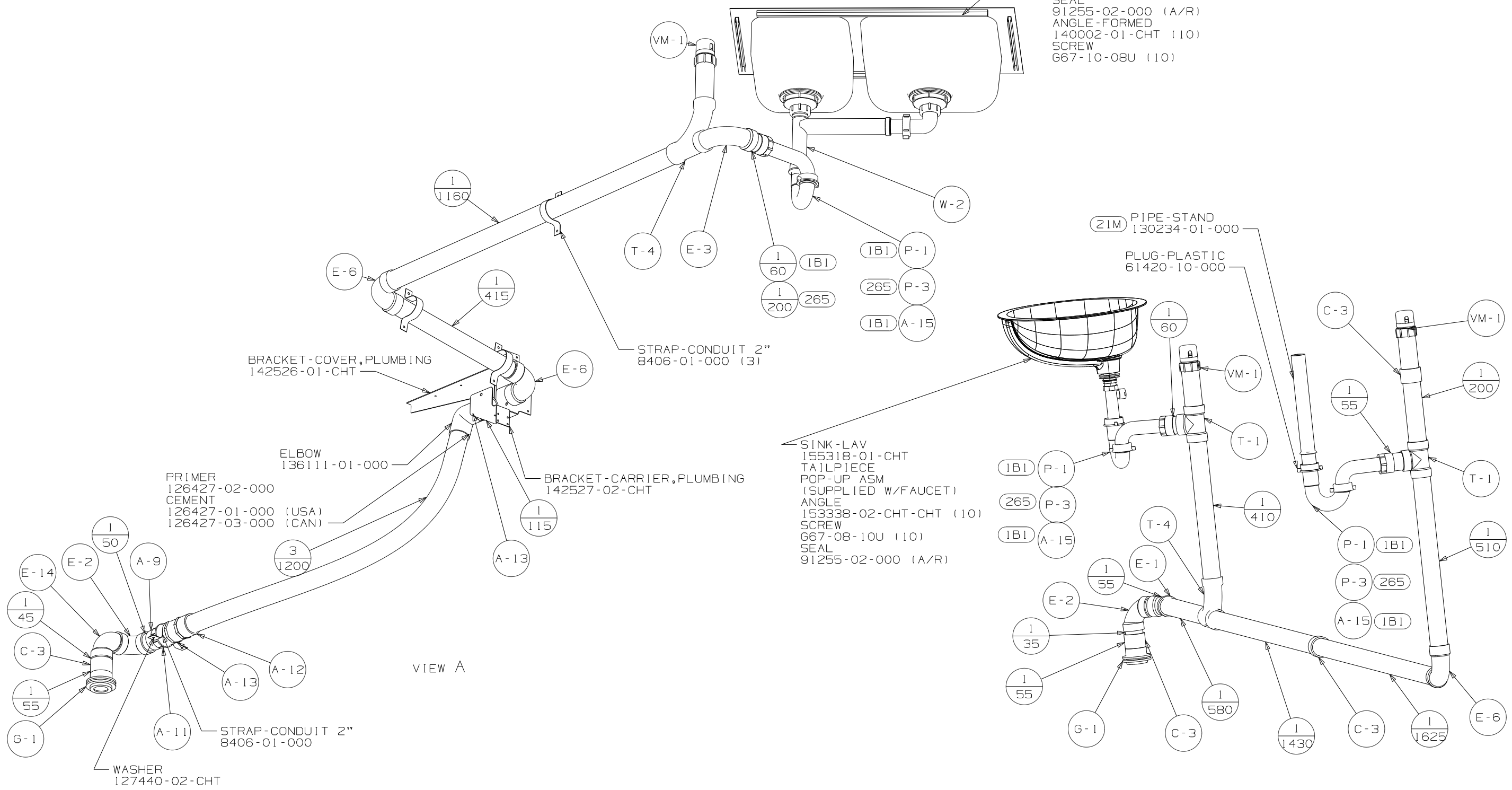
- (WIN) WINNEBAGO ONLY
- (ITA) ITASCA ONLY
- (IB1) CODES/STANDARDS USA
- (265) CODES/STDS-CSA, CMVSS
- (54E) WASHER DRYER
- (21M) WASHER/DRYER PREP
- (43Q) TOILET-PORCELAIN

- NOTES:
6. USE SMOOTH PLUMBERS PUTTY 167459-01-000 TO SEAL STRAINER (.2 PER STRAINER).
 5. SEAL AROUND SHOWER WITH SILICONE.
 4. VENT PIPE MUST PROJECT 51 MIN AND 64 MAX ABOVE ROOF FOR PROPER FIT AND FUNCTION.
 3. ALL PIPE AND FITTINGS TO BE ASSEMBLED WITH SOLVENT 4020-01-000 (US), 4020-02-000 (CAN).
 2. SLOPE OF TRAP ARM MUST BE 6 PER 305 mm.
 1. SLOPE OF HORIZONTAL PIPING TO BE MIN 3 PER 305 mm.

(X-X)
FOR DRAINAGE CALLOUTS SEE DWG NO 116229-01-000

WINNEBAGO		COPYRIGHT 2008 WINNEBAGO INDUSTRIES, INC.	
DFT	ORIG. DATE	ALL DIMENSIONS ARE IN MILLIMETERS	
CHKR		FIRST USED	
P.E.		09 R40KD	
M.E.		UNSPECIFIED TOLERANCES ARE:	
DSNR		MATERIAL:	
		WHOLE DIM (X)	: 3
		ONE-PLACE (X.X)	: 1.5
		TWO-PLACE (X.XX)	: 0.50
		ANGLE	: 1°
THIRD ANGLE PROJECTION		DO NOT SCALE DRAWING	
TITLE: DRAINAGE SYSTEM INSTL			
SHEET 1 OF 4	PART NO	168238	REV

- SINK-GALLEY
110654-01-000
- STRAINER
92303-01-000 (2) 6
- SEAL
91255-02-000 (A/R)
- ANGLE-FORMED
140002-01-CHT (10)
- SCREW
G67-10-08U (10)



- PRIMER
126427-02-000
- CEMENT
126427-01-000 (USA)
- 126427-03-000 (CAN)

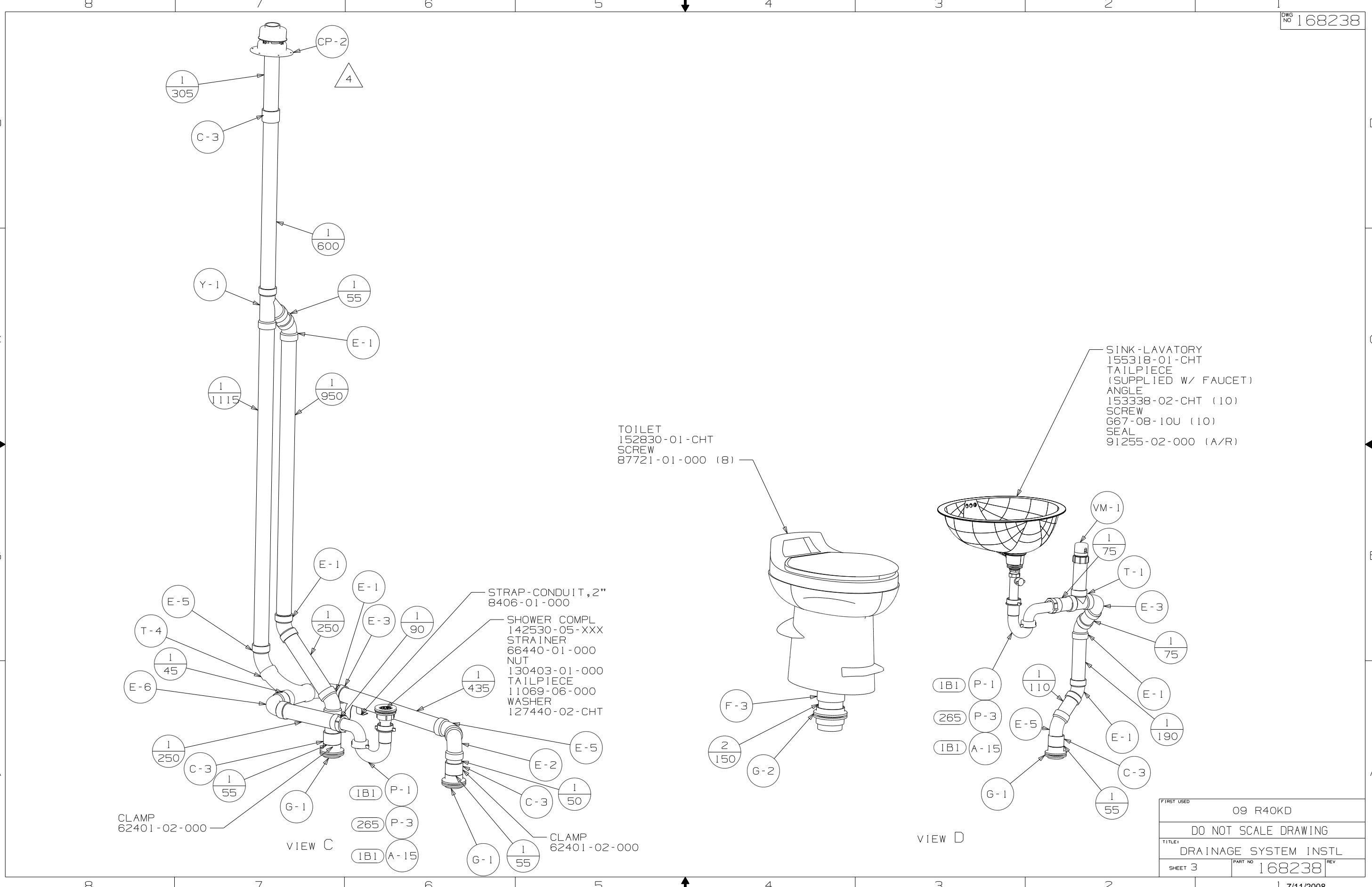
- SINK-LAV
155318-01-CHT
- TAILPIECE
POP-UP ASM
(SUPPLIED W/FAUCET)
- ANGLE
153338-02-CHT-CHT (10)
- SCREW
G67-08-10U (10)
- SEAL
91255-02-000 (A/R)

- (2IM) PIPE-STAND
130234-01-000
- PLUG-PLASTIC
61420-10-000

VIEW A

VIEW B

FIRST USED	09 R40KD		
DO NOT SCALE DRAWING			
TITLE:	DRAINAGE SYSTEM INSTL		
SHEET 2	PART NO	168238	REV



TOILET
152830-01-CHT
SCREW
87721-01-000 (8)

SINK-LAVATORY
155318-01-CHT
TAILPIECE
(SUPPLIED W/ FAUCET)
ANGLE
153338-02-CHT (10)
SCREW
G67-08-10U (10)
SEAL
91255-02-000 (A/R)

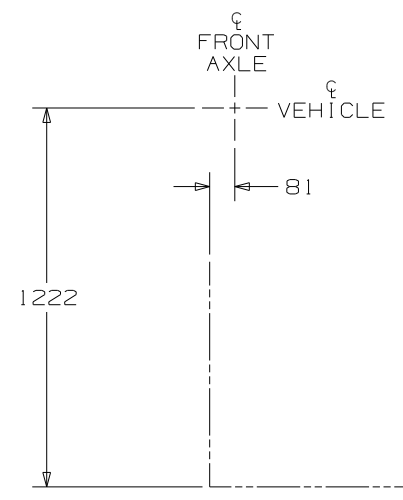
STRAP-CONDUIT, 2"
8406-01-000

SHOWER COMPL
142530-05-XXX
STRAINER
66440-01-000
NUT
130403-01-000
TAILPIECE
11069-06-000
WASHER
127440-02-CHT

CLAMP
62401-02-000

CLAMP
62401-02-000

FIRST USED	09 R40KD	
TITLE	DO NOT SCALE DRAWING	
	DRAINAGE SYSTEM INSTL	
SHEET 3	PART NO	168238
	REV	



BRACKET
161759-01-CHT
BOLT
C26-05-12B (6)

SUPPORT ASM-HOLDING TANK
161762-02-CHT
SCREW
G39-10-20T (2)

PLATFORM
126714-10-000

242 160
5760
5142

VIEW E

TANK-HOLDING
161225-03-000

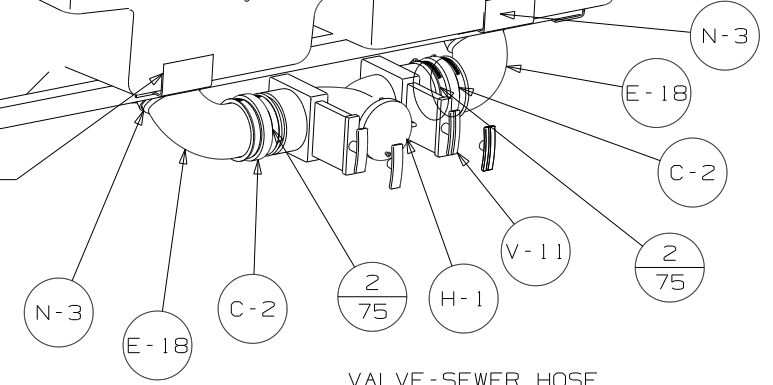
TANK-HOLDING
161224-03-000

BRACKET-DRAINAGE
146080-02-CHT (2)

PLATFORM-HOLDING TANK
126714-49-000

VIEW G

VIEW F

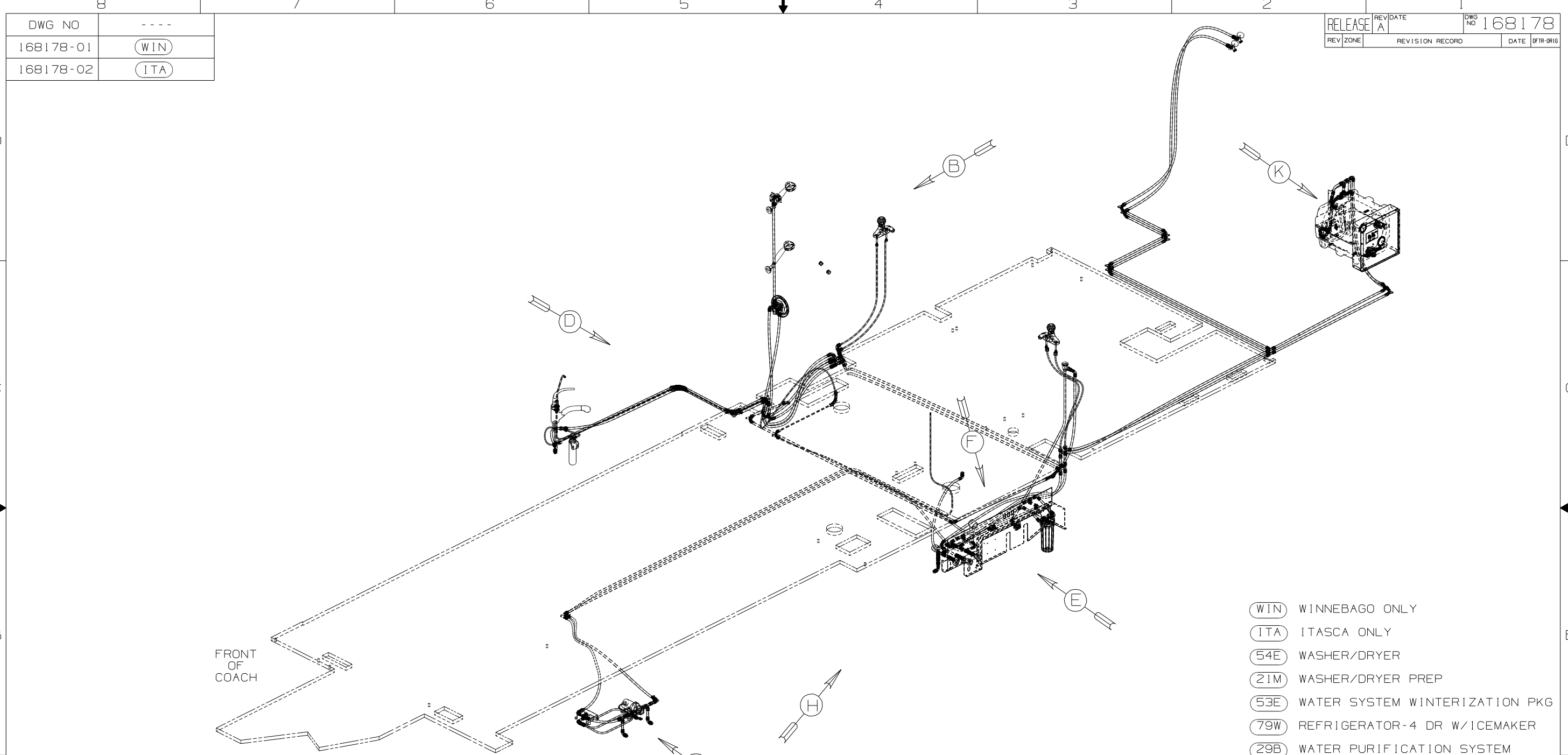


VALVE-SEWER HOSE
144728-01-000
CLAMP-HOSE
62401-09-000

FIRST USED	09 R40KD	
TITLE	DO NOT SCALE DRAWING	
	DRAINAGE SYSTEM INSTL	
SHEET 4	PART NO 168238	REV

DWG NO	----
168178-01	(WIN)
168178-02	(ITA)

RELEASE	REV DATE	DWG NO
A		168178
REV ZONE	REVISION RECORD	DATE
		DFTR-ORIG

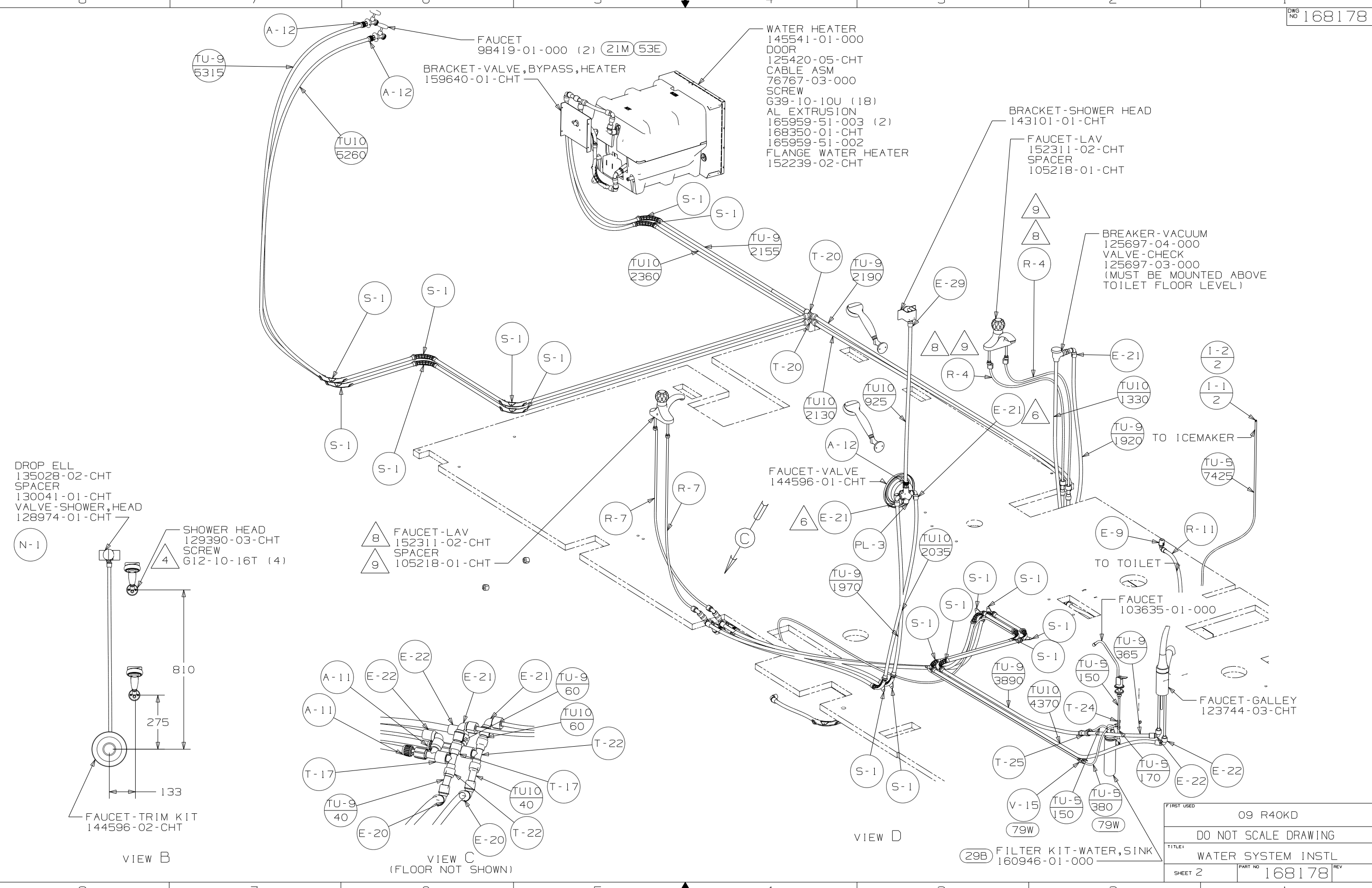


- (WIN) WINNEBAGO ONLY
- (ITA) ITASCA ONLY
- (54E) WASHER/DRYER
- (21M) WASHER/DRYER PREP
- (53E) WATER SYSTEM WINTERIZATION PKG
- (79W) REFRIGERATOR-4 DR W/ICEMAKER
- (29B) WATER PURIFICATION SYSTEM

- NOTES:
9. TAPE FITTING TO TUBE BEFORE CABINET SET TO PREVENT FITTING FROM MOVING.
 8. LABEL HOT AND COLD SUPPLY TUBES.
 7. ADD TEFLON TAPE 10405-03-000.
 6. ADD TEFLON TAPE 10405-01-000.
 5. ADD TEFLON TAPE 10405-02-000.
 4. USED IN PLACE OF SUPPLIED SCREWS TO ATTACH BRACKET TO WALL.
3. ALL TUBING TO BE SECURED AT 1200 INTERVALS MAXIMUM WITH CLAMP 10495-01-000 AND SCREW G67-10-12B OR EQUIVALENT.
2. TUBING TO BE INSTALLED WITH SUFFICIENT SLOPE TO PROVIDE DRAINAGE TO NEAREST VALVE.
1. PLASTIC FITTINGS TO BE SEALED WITH SEALANT 84456-01-000.

WINNEBAGO		COPYRIGHT 2008 WINNEBAGO INDUSTRIES, INC.	
DFTR	ORIG. DATE	ALL DIMENSIONS ARE IN MILLIMETERS	
CHKR		FIRST USED	
P.E.		09 R40KD	
M.E.		UNSPECIFIED TOLERANCES ARE:	
DSNR		MATERIAL:	
		WHOLE DIM (X)	: 3
		ONE-PLACE (X.X)	: 1.5
		TWO-PLACE (X.XX)	: 0.50
		ANGLE	: 1°
THIRD ANGLE PROJECTION		DO NOT SCALE DRAWING	
TITLE: WATER SYSTEM INSTL			
SHEET 1 OF 5	PART NO	168178	REV
REF	1 4/23/2008		

(X-X)
FOR
WATER
CALLOUTS
SEE DWG NO
116230-01-000

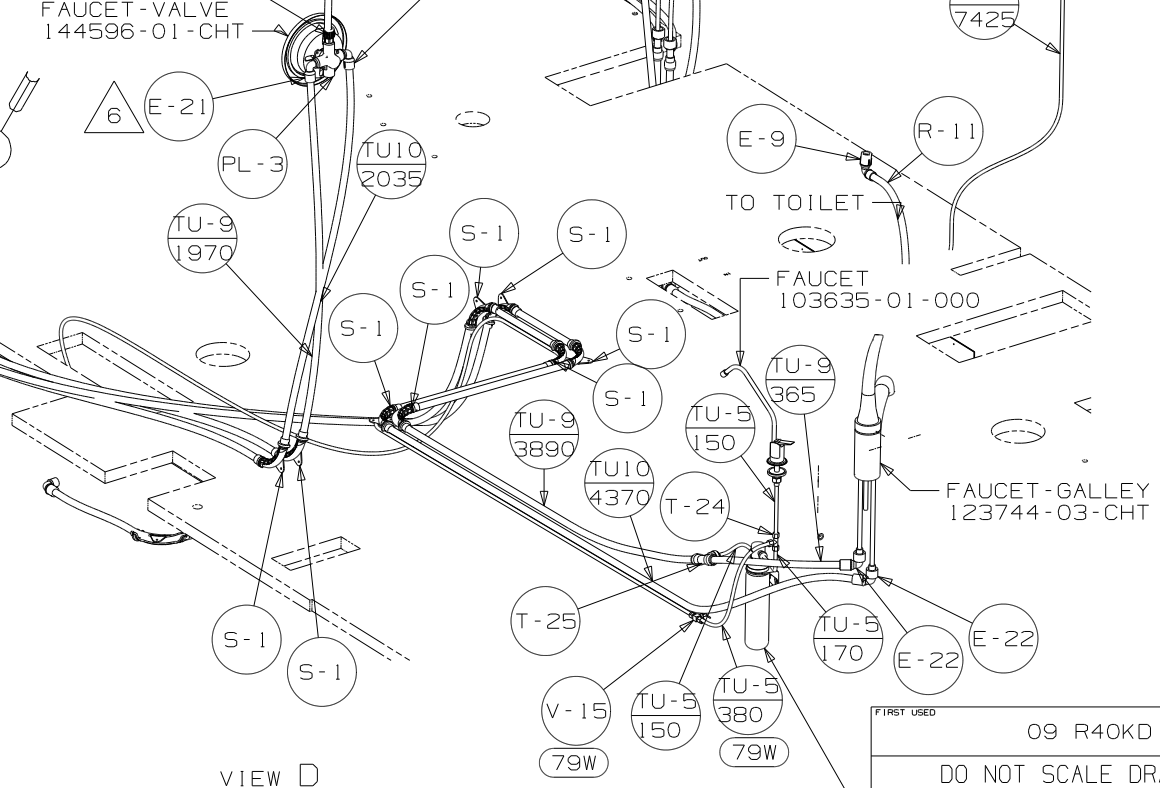
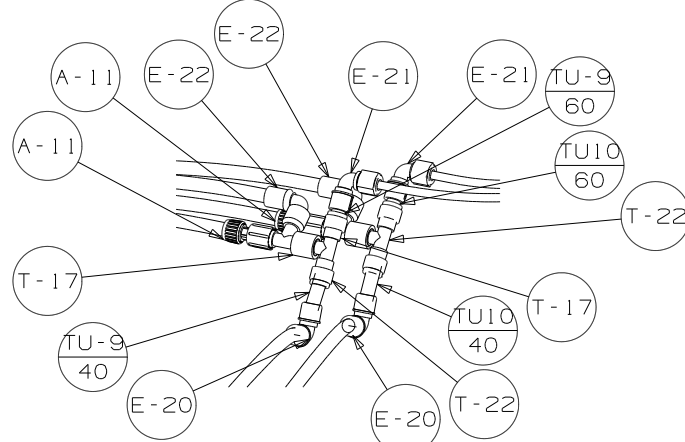
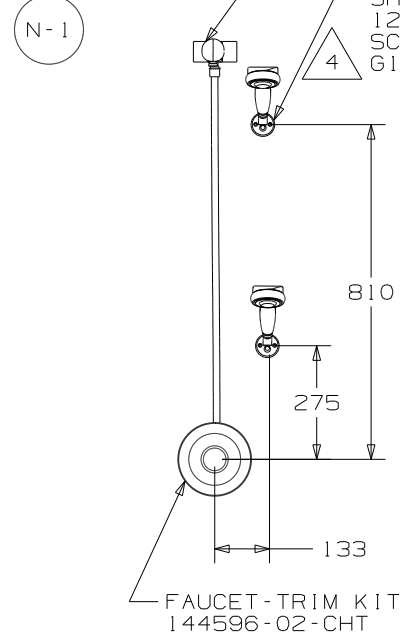


DROP ELL
 135028-02-CHT
 SPACER
 130041-01-CHT
 VALVE-SHOWER, HEAD
 128974-01-CHT

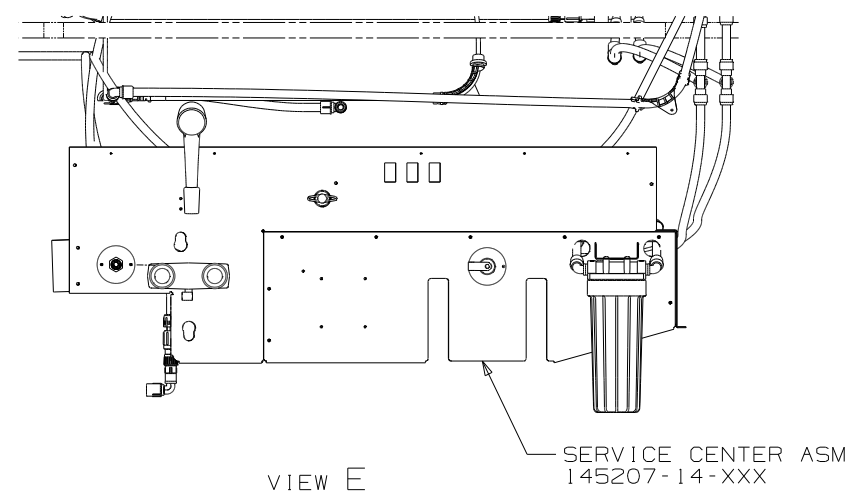
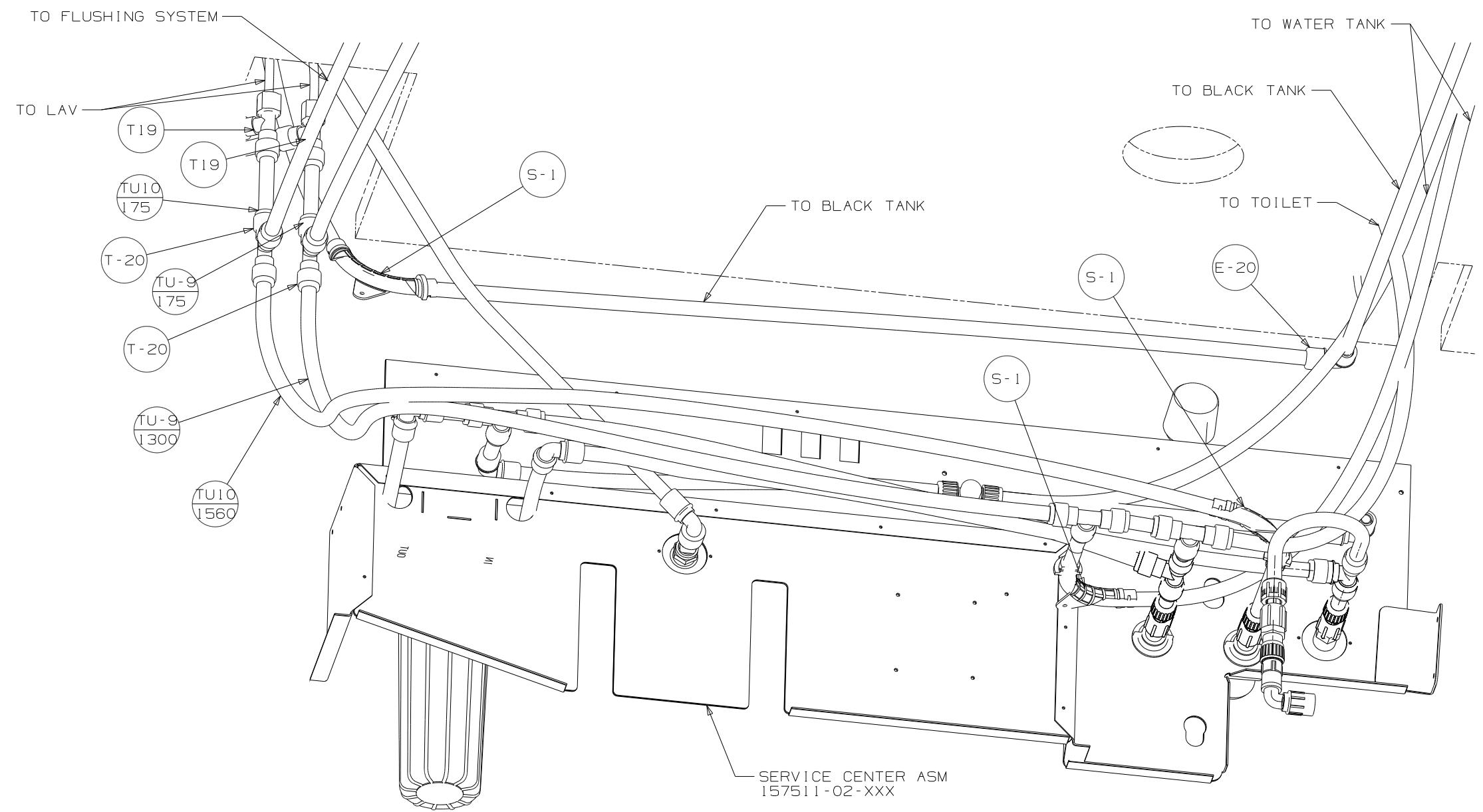
SHOWER HEAD
 129390-03-CHT
 SCREW
 G12-10-16T (4)

FAUCET-LAV
 152311-02-CHT
 SPACER
 105218-01-CHT

FAUCET-VALVE
 144596-01-CHT



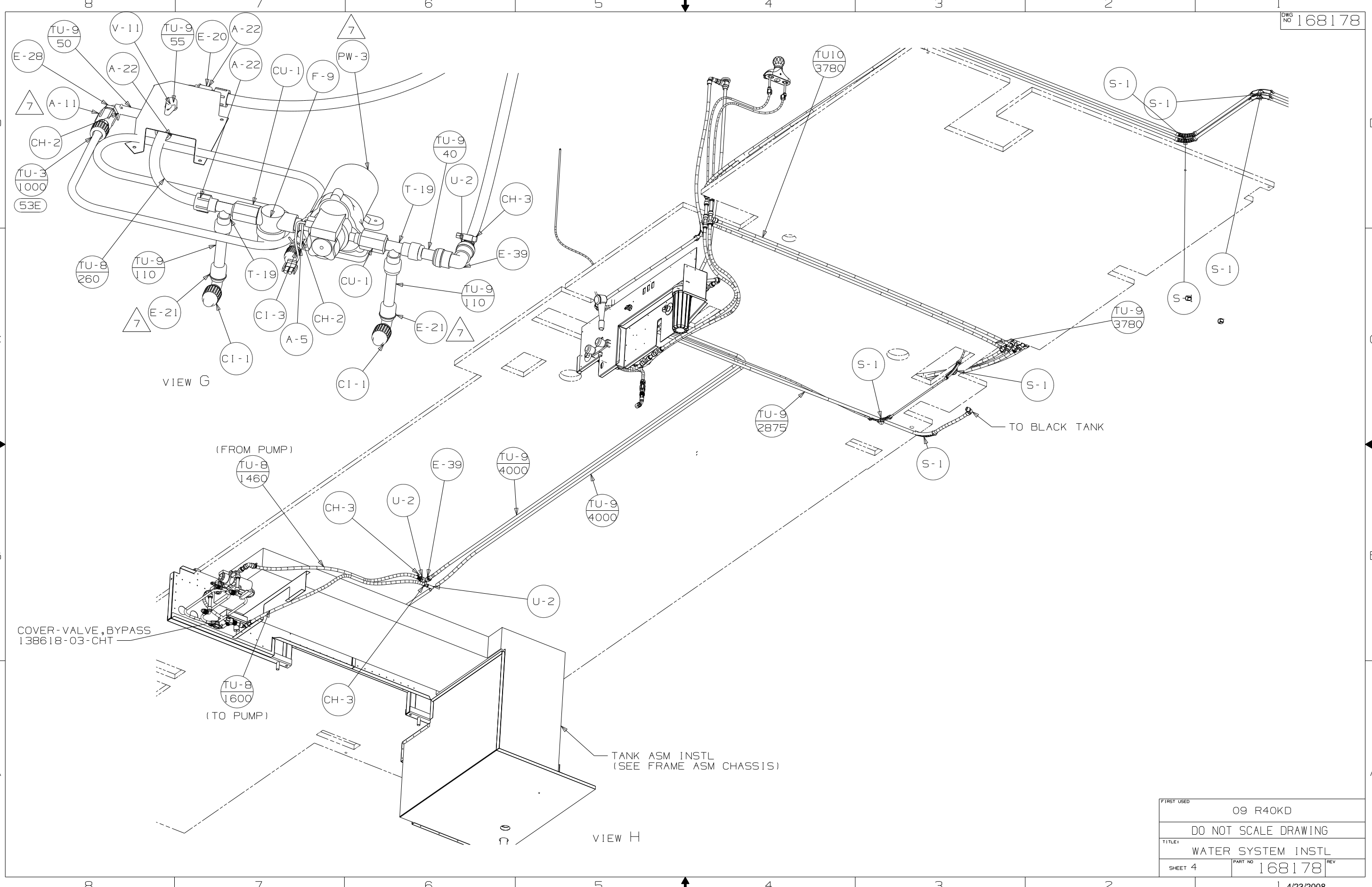
FIRST USED	09 R40KD
DO NOT SCALE DRAWING	
TITLE:	WATER SYSTEM INSTL
SHEET 2	PART NO 168178 REV



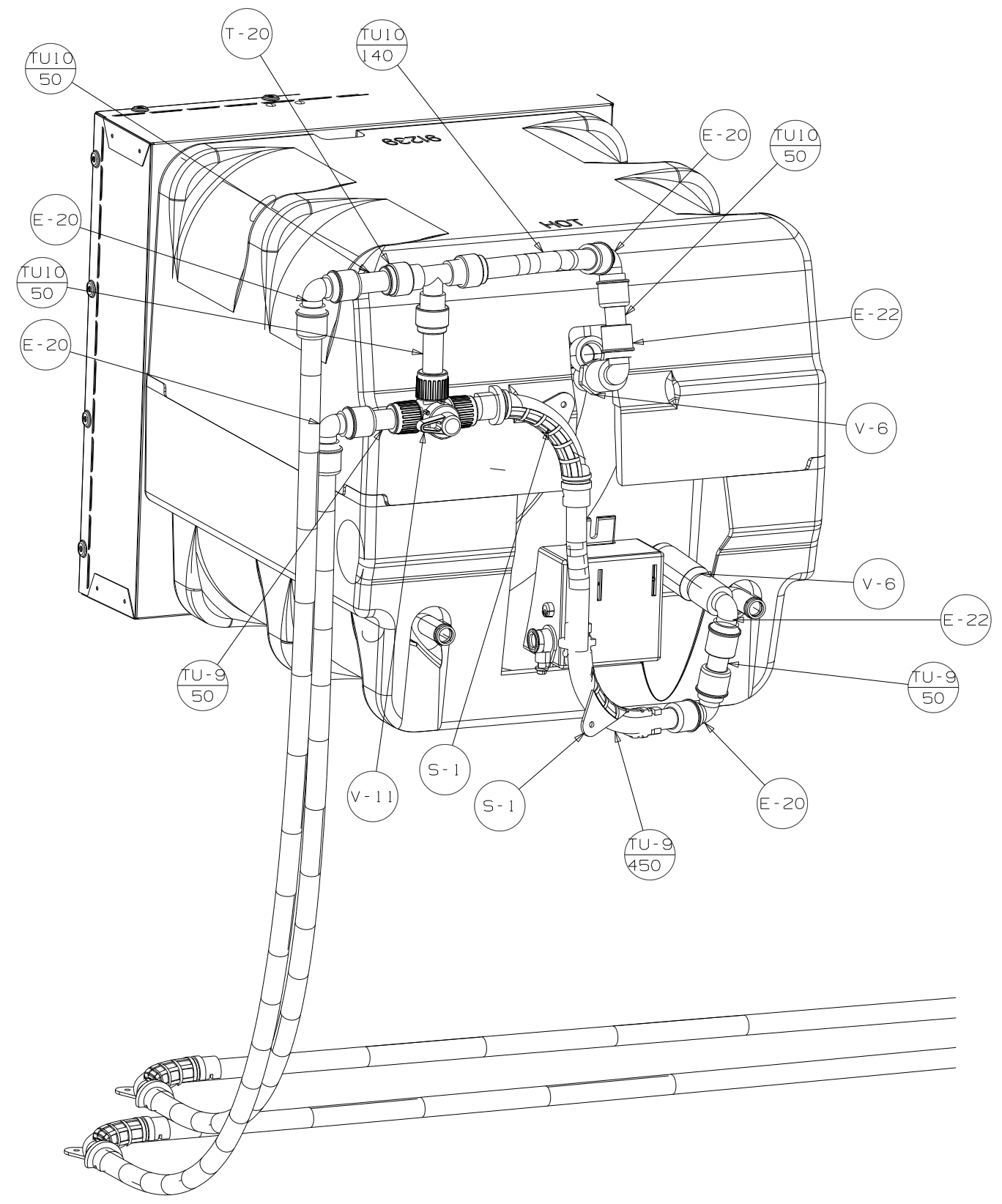
VIEW F

VIEW E

FIRST USED	09 R40KD		
TITLE	DO NOT SCALE DRAWING		
TITLE	WATER SYSTEM INSTL		
SHEET 3	PART NO	168178	REV



FIRST USED	09 R40KD
TITLE	DO NOT SCALE DRAWING
TITLE	WATER SYSTEM INSTL
SHEET 4	PART NO 168178 REV



VIEW K

53E

FIRST USED	09 R40KD	
TITLE	DO NOT SCALE DRAWING	
SHEET 5	PART NO	168178
	REV	1