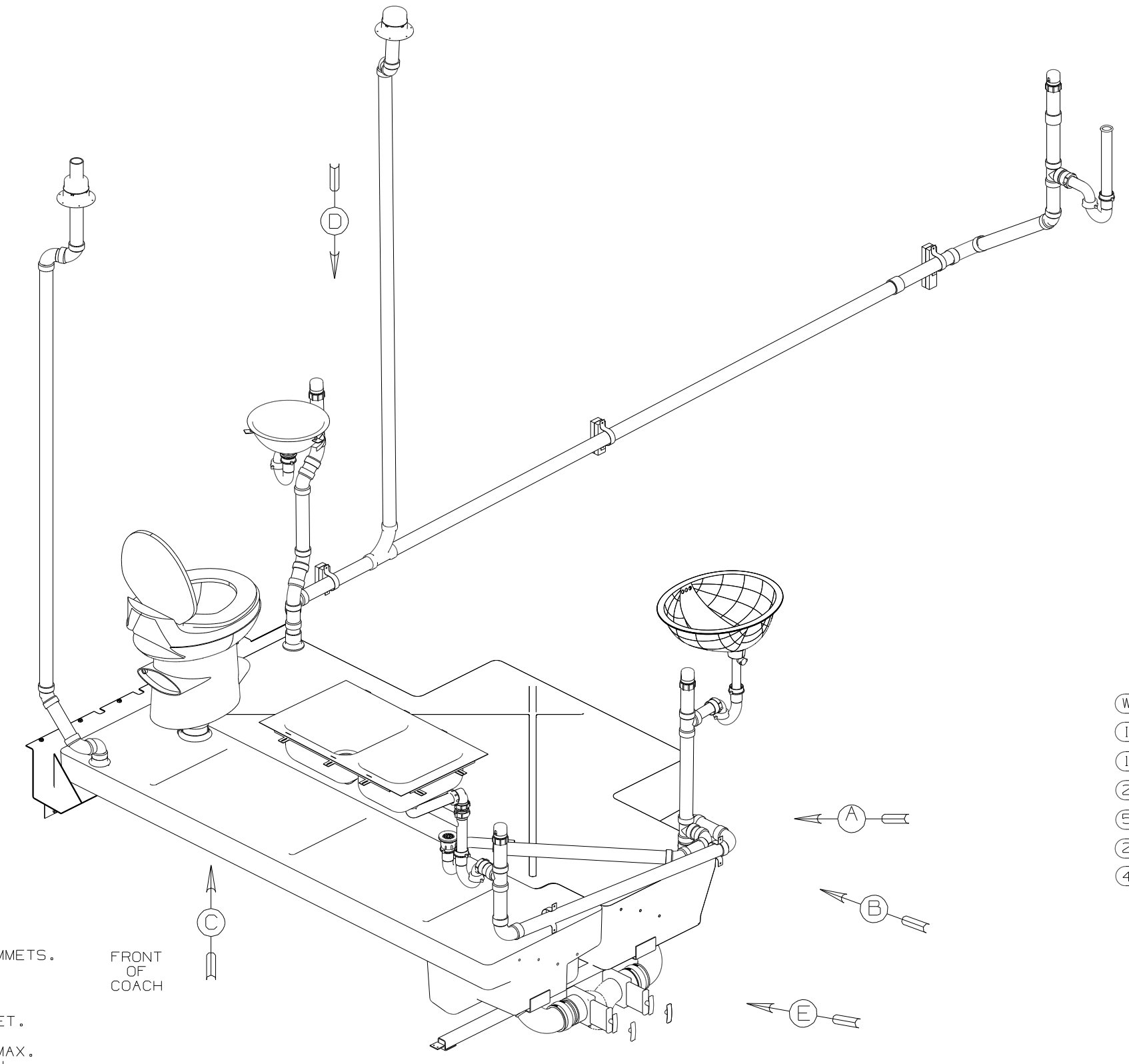


DWG NO	----
166925-01	(WIN)
166925-02	(ITA)

RELEASE	REV DATE	DWG NO
A		166925
REV ZONE	REVISION RECORD	DATE
		DFTR-016



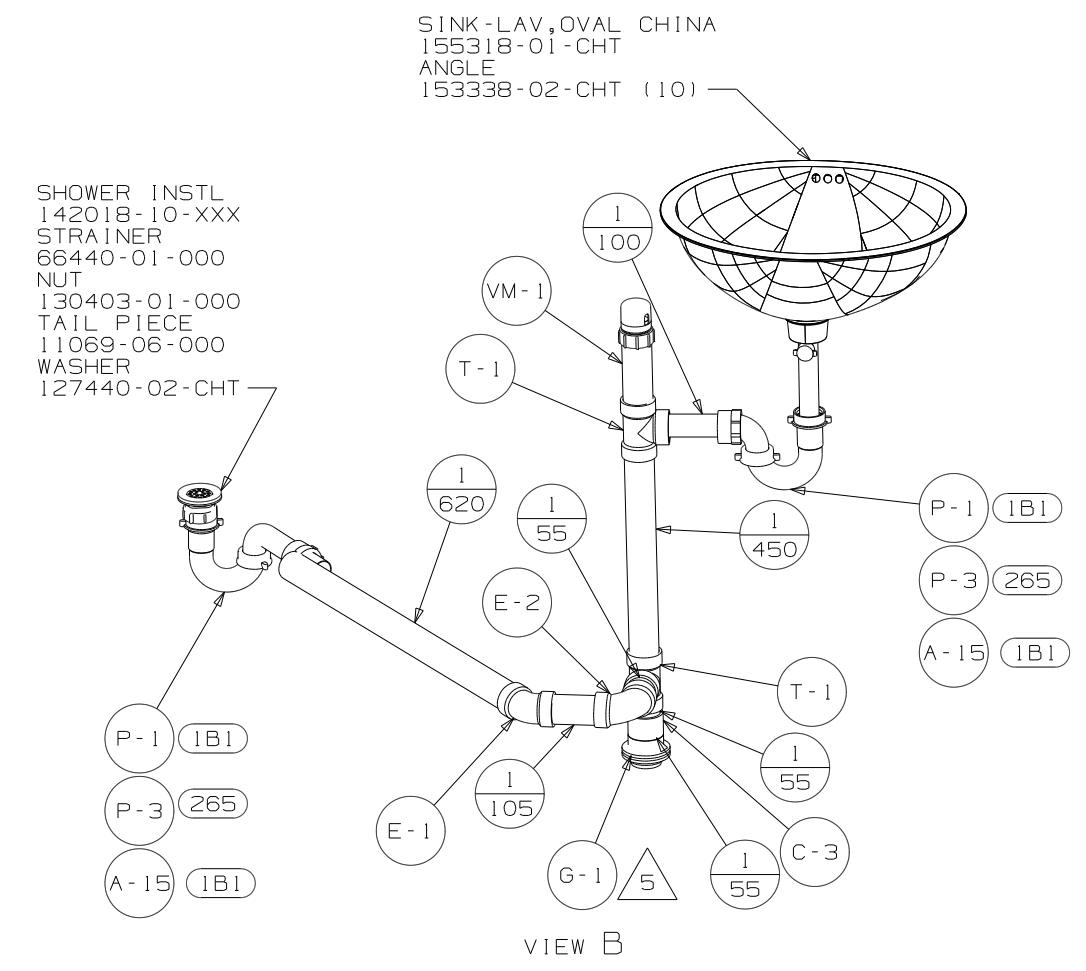
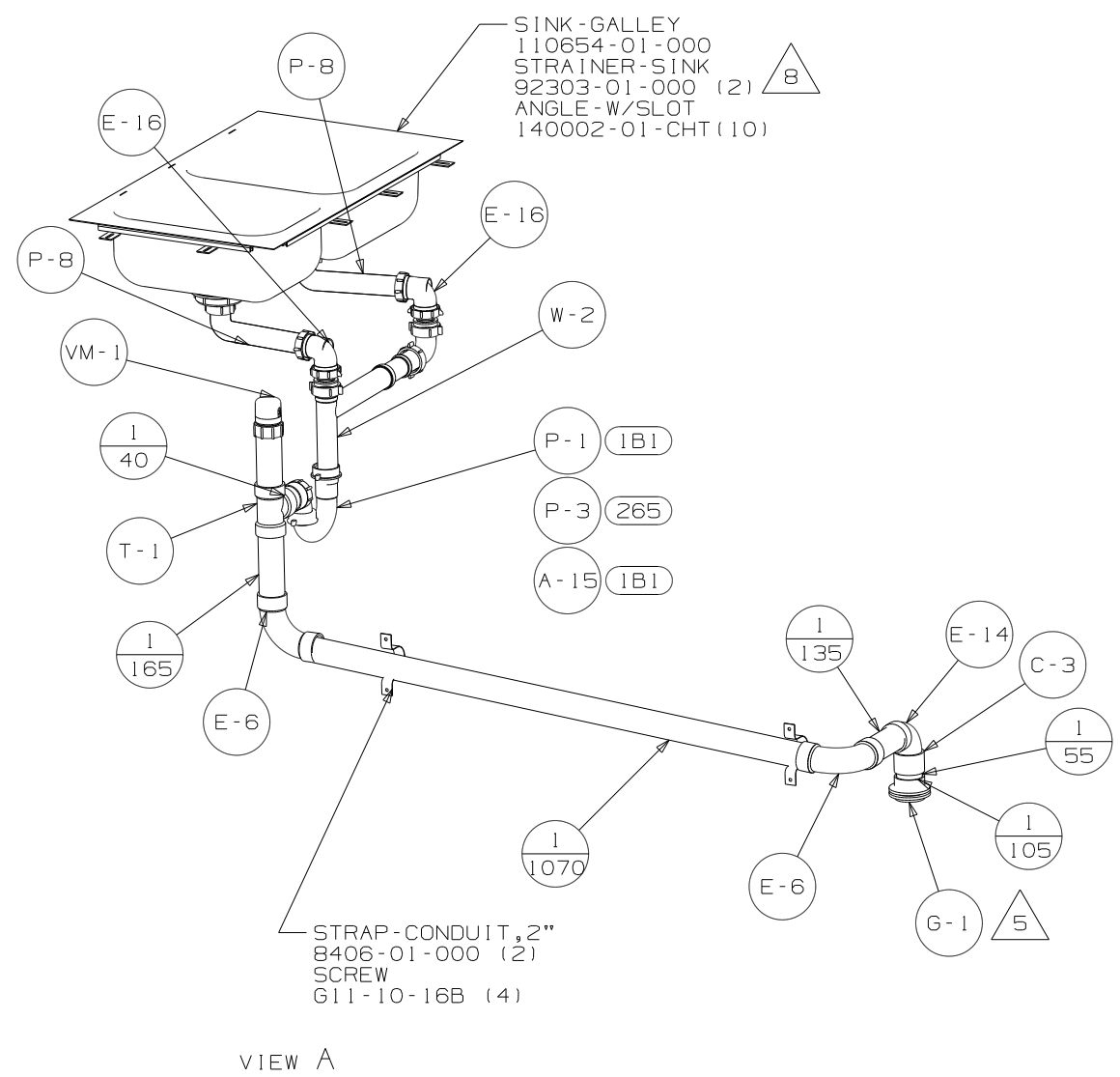
- (WIN) WINNEBAGO ONLY
- (ITA) ITASCA ONLY
- (IB1) CODES/STANDARDS-USA
- (265) CODES/STDS-CSA/CMVSS
- (54E) WASHER/DRYER
- (21M) WASHER/DRYER PREP
- (43Q) TOILET-PORCELAIN

- NOTES:
1. SLOPE OF HORIZONTAL PIPING TO BE 6 PER 305 mm.
 2. SLOPE OF TRAP ARM MUST BE 6 PER 305.
 3. ALL PIPE AND FITTINGS TO BE ASSEMBLED WITH SOLVENT 4020-01-000.
 4. VENT PIPE MUST PROJECT 51 MIN AND 64 MAX. ABOVE ROOF FOR PROPER FIT AND FUNCTION.
 5. SECURE VENT TUBES TO FLOOR WITH BRACKET.
 6. SEAL ALL AROUND SHOWER WITH SILICONE.
 7. SEE DWG 61607-01-000 FOR INSTL OF GROMMETS.

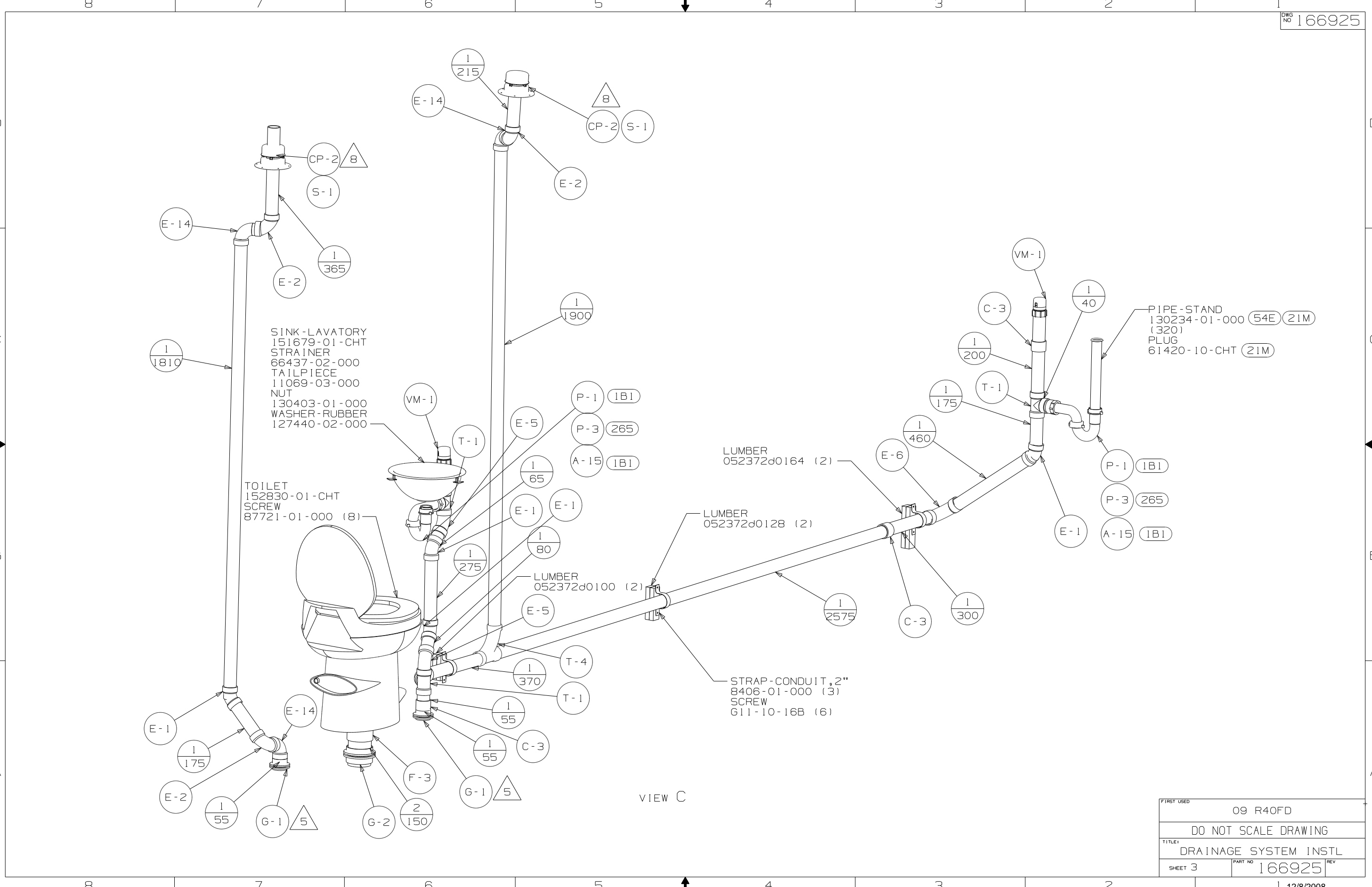
8. USE SMOOTH PLUMBERS PUTTY 167459-01-000 TO SEAL STRAINER (.2 PER STRAINER)

(X-X)
FOR DRAINAGE CALLOUTS SEE DWG NO 116229-01-000

WINNEBAGO		COPYRIGHT 2008 WINNEBAGO INDUSTRIES, INC.	
DFTR	ORIG. DATE	ALL DIMENSIONS ARE IN MILLIMETERS	
CHKR		FIRST USED	
P.E.		09 R40FD	
M.E.		UNSPECIFIED TOLERANCES ARE:	
DSNR		MATERIAL:	
		WHOLE DIM (X) :	3
		ONE-PLACE (X.X) :	
		TWO-PLACE (X.XX) :	
		ANGLE :	
THIRD ANGLE PROJECTION		DO NOT SCALE DRAWING	
TITLE: DRAINAGE SYSTEM INSTL			
SHEET 1 OF 4	PART NO	166925	REV
REF:	12/8/2008		

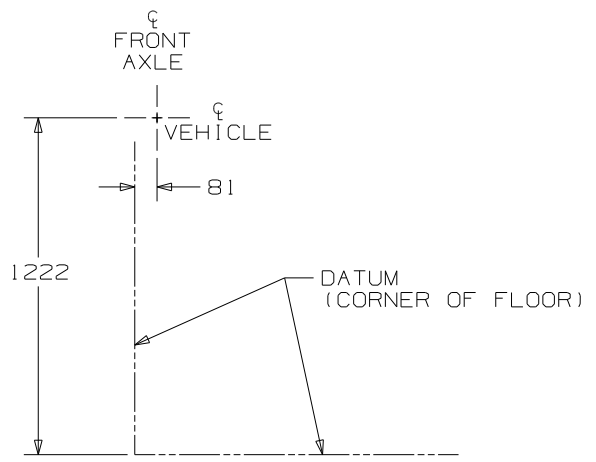


FIRST USED	09 R40FD		
TITLE	DO NOT SCALE DRAWING		
	DRAINAGE SYSTEM INSTL		
SHEET 2	PART NO	166925	REV
			12/8/2008

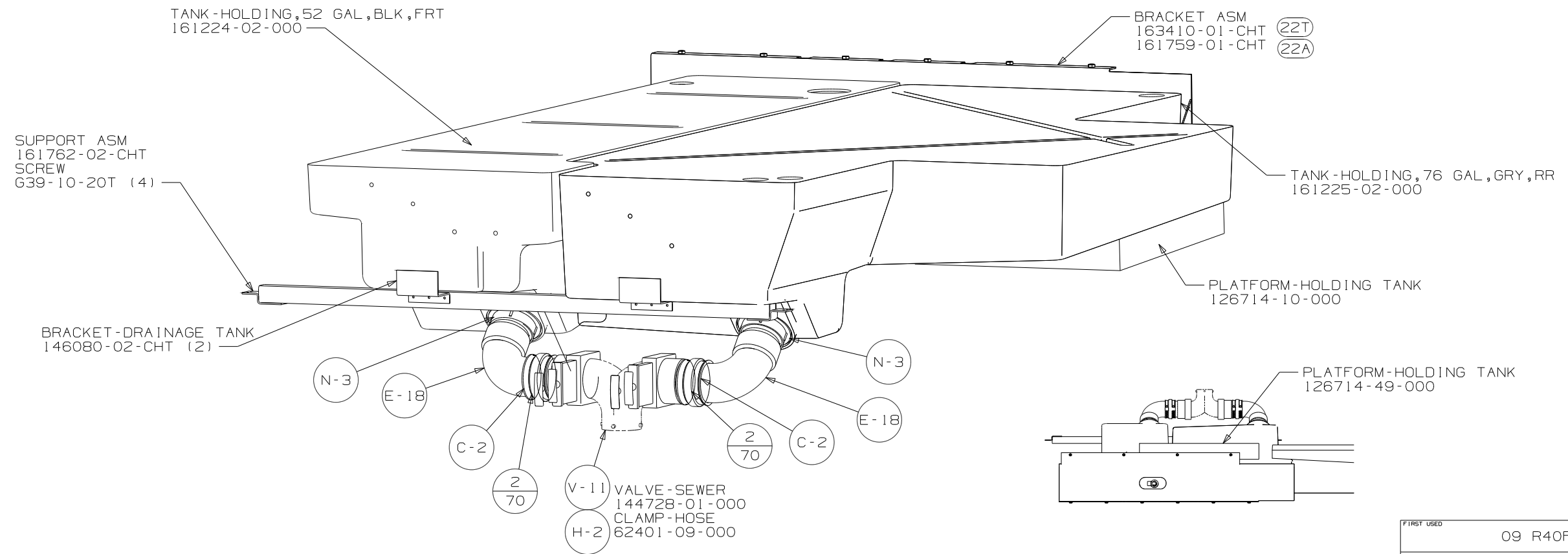
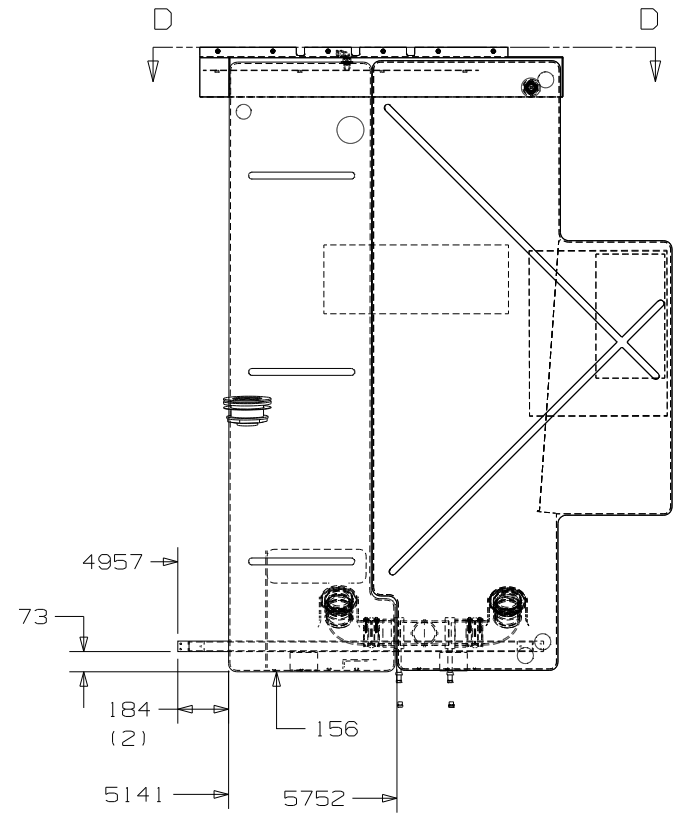


VIEW C

FIRST USED	09 R40FD	
TITLE	DO NOT SCALE DRAWING	
	DRAINAGE SYSTEM INSTL	
SHEET 3	PART NO 166925	REV



VIEW D

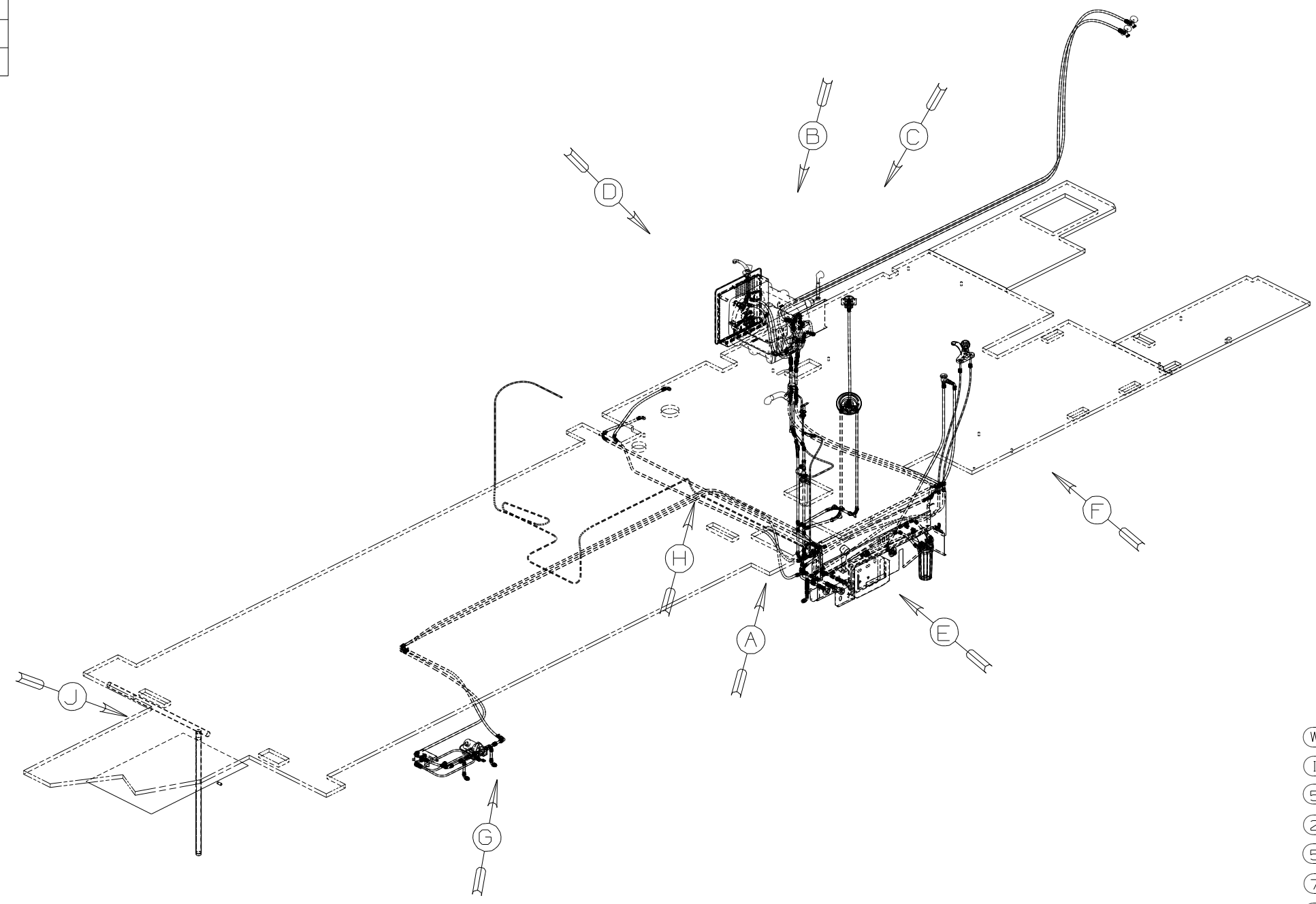


VIEW E

FIRST USED	09 R40FD	
TITLE	DO NOT SCALE DRAWING	
	DRAINAGE SYSTEM INSTL	
SHEET 4	PART NO	166925 REV

DWG NO	--
166924-01	(WIN)
166924-02	(ITA)

RELEASE	REV DATE	DWG NO
A		166924
REV ZONE	REVISION RECORD	DATE



- (WIN) WINNEBAGO ONLY
- (ITA) ITASCA ONLY
- (54E) WASHER/DRYER
- (21M) WASHER/DRYER PREP
- (53E) WATER SYSTEM WINTERIZATION PKG
- (79W) REFRIGERATOR-4 DR W/ICEMAKER
- (29B) WATER PURIFICATION SYSTEM

- 9. TAPE FITTING TO TUBE BEFORE CABINET SET TO PREVENT FITTING FROM MOVING.
 - 8. LABEL HOT AND COLD SUPPLY TUBES.
 - 7. ADD PIPE WRAP (LADDER SCRAP 110157-02-000) INSULATION.
 - 6. ADD TEFLON TAPE 10405-03-000.
 - 5. ADD TEFLON TAPE 10405-02-000.
 - 4. ADD TEFLON TAPE 10405-01-000.
3. ALL TUBING TO BE SECURED AT 1200 INTERVALS MAXIMUM WITH CLAMP 10495-01-000 AND SCREW G67-10-12B OR EQUIVALENT.
 2. TUBING TO BE INSTALLED WITH SUFFICIENT SLOPE TO PROVIDE DRAINAGE TO NEAREST VALVE.
 1. PLASTIC FITTINGS TO BE SEALED WITH SEALANT 84456-01-000.

NOTES:

(X-X)
FOR
WATER
CALLOUTS
SEE DWG NO
116230-01-000

WINNEBAGO		COPYRIGHT 2008 WINNEBAGO INDUSTRIES, INC.	
DFT	ORIG. DATE	ALL DIMENSIONS ARE IN MILLIMETERS	
CHKR		FIRST USED	
P.E.		09 R40FD	
M.E.		UNSPECIFIED TOLERANCES ARE:	
DSNR		MATERIAL:	
		WHOLE DIM (X)	: 3
		ONE-PLACE (X.X)	: 1.5
		TWO-PLACE (X.XX)	: 0.50
		ANGLE	: 1°
THIRD ANGLE PROJECTION		DO NOT SCALE DRAWING	
TITLE: WATER SYSTEM INSTL			
SHEET 1 OF 4	PART NO	166924	REV

FAUCET-WATER PURIFIER
103635-01-CHT

FAUCET 53E 21M
98419-01-000 (2)

SHOWER HEAD
129390-03-CHT
SCREW
C12-10-16T (4)

BRACKET
143101-01-CHT
DROP ELL
135028-02-CHT
SPACER
130041-03-CHT
VALVE-SHOWER, HEAD
128974-01-CHT

BREAKER-VACUUM
125697-04-000
VALVE-CHECK
125697-03-000
(MUST BE MOUNTED ABOVE
TOILET FLOOR LEVEL)

FAUCET-LAV
152311-02-CHT

TRIM KIT-FAUCET
144596-02-CHT

FAUCET-GALLEY
123744-03-CHT

BRACKET-VALVE, BYPASS, HEATER
151245-01-CHT
SCREW
G19-10-20B (4)

FILTER KIT-WATER, SINK
160946-01-000
29B

VIEW B

VIEW C

VIEW A

FIRST USED	09 R40FD	
TITLE:	DO NOT SCALE DRAWING	
	WATER SYSTEM INSTL	
SHEET 2	PART NO	166924
	REV	

TO LAVATORY

TO FLUSHING SYSTEM

TO WATER HEATER

WATER CENTER ASM-FILTERED
157511-02-XXX

SERVICE CENTER ASM
145207-14-XXX

VIEW D

VIEW E

T-19

T-19

TU10
3000

TU10
1300

TU-9
1300

S-1

TU-9
3000

S-1

S-1

S-1

E-20

TU10
90

T-20

T-20

T-20

T-20

T-20

TU-9
40

T-20

S-1

S-1

S-1

TU10
700

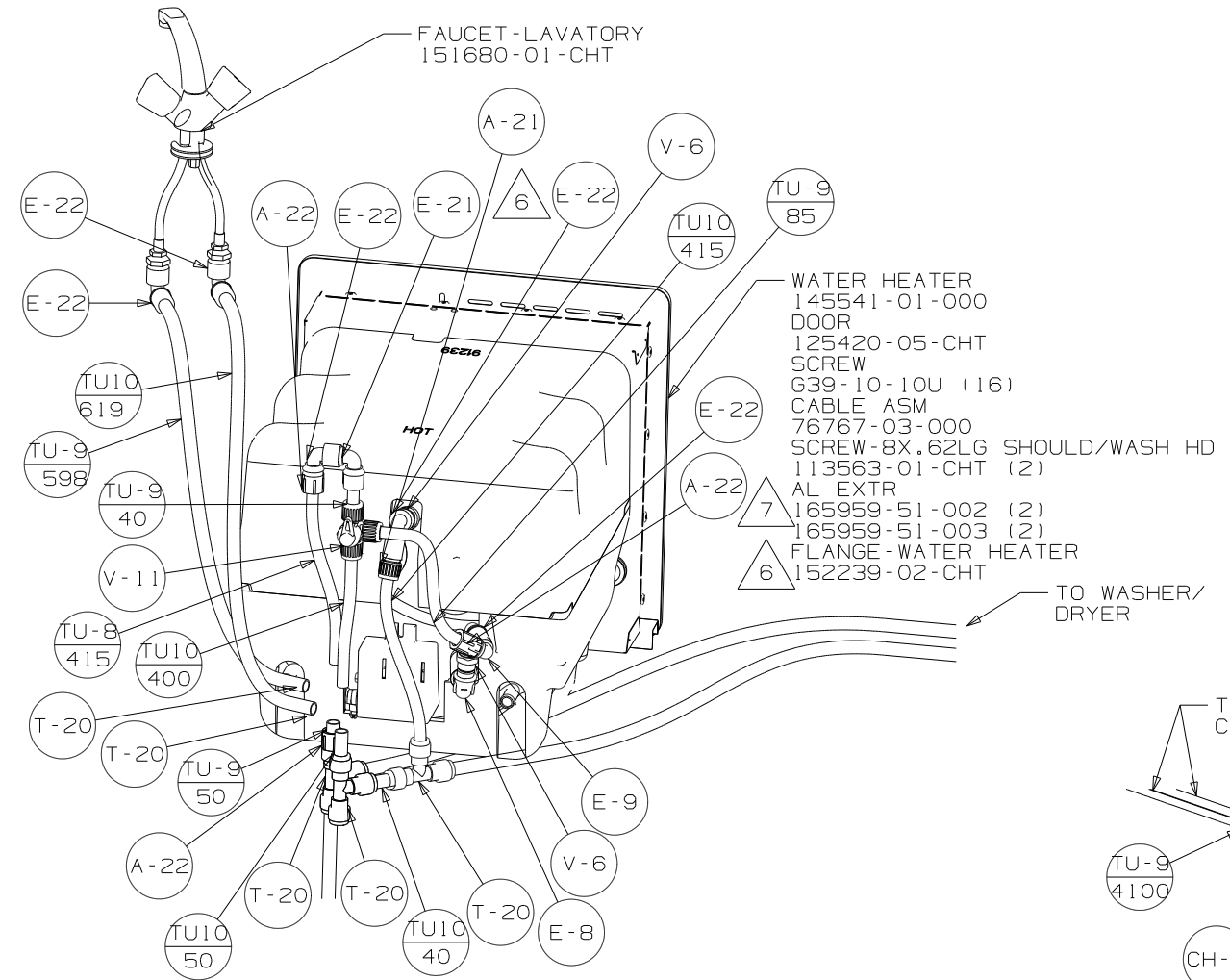
TU-9
810

TU-9
2750

TO TANK

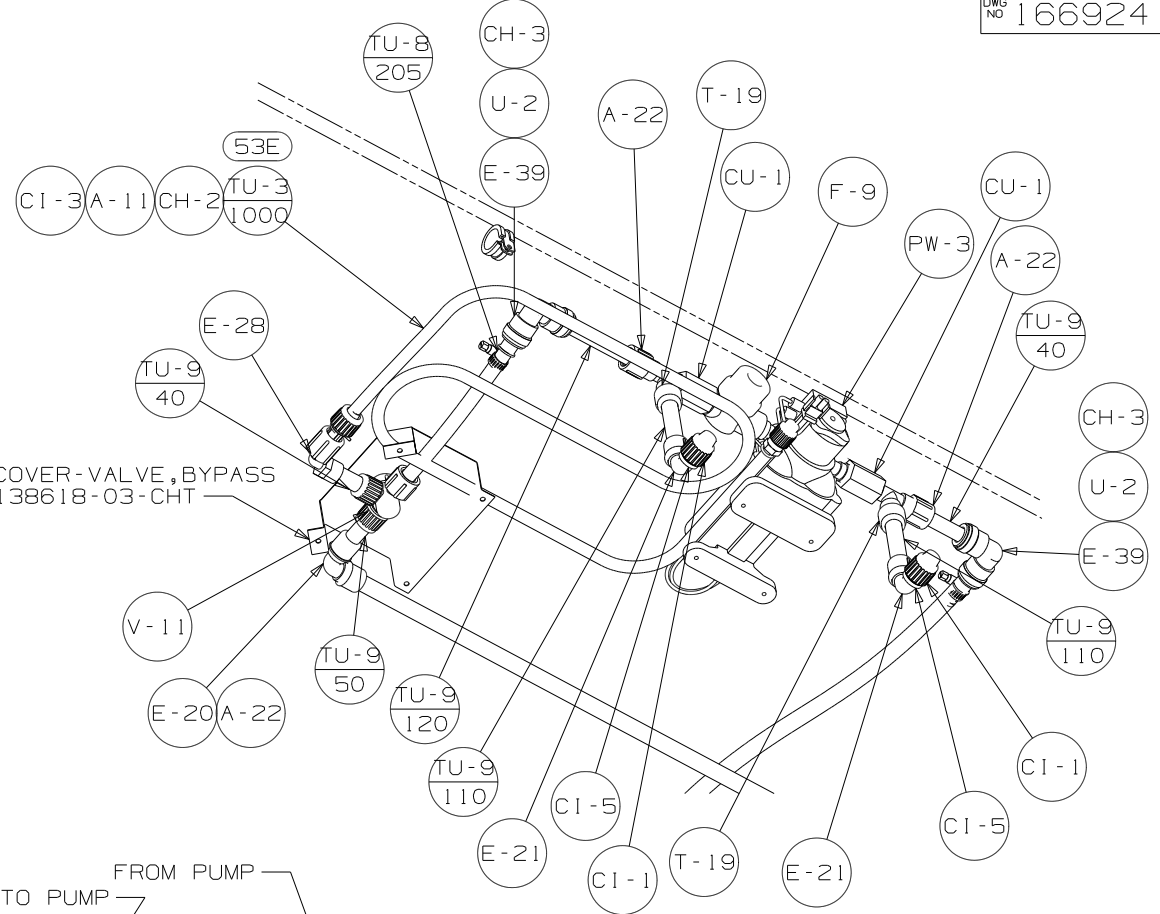
TO BLACK TANK

FIRST USED	09 R40FD
DO NOT SCALE DRAWING	
TITLE:	WATER SYSTEM INSTL
SHEET 3	PART NO 166924 REV



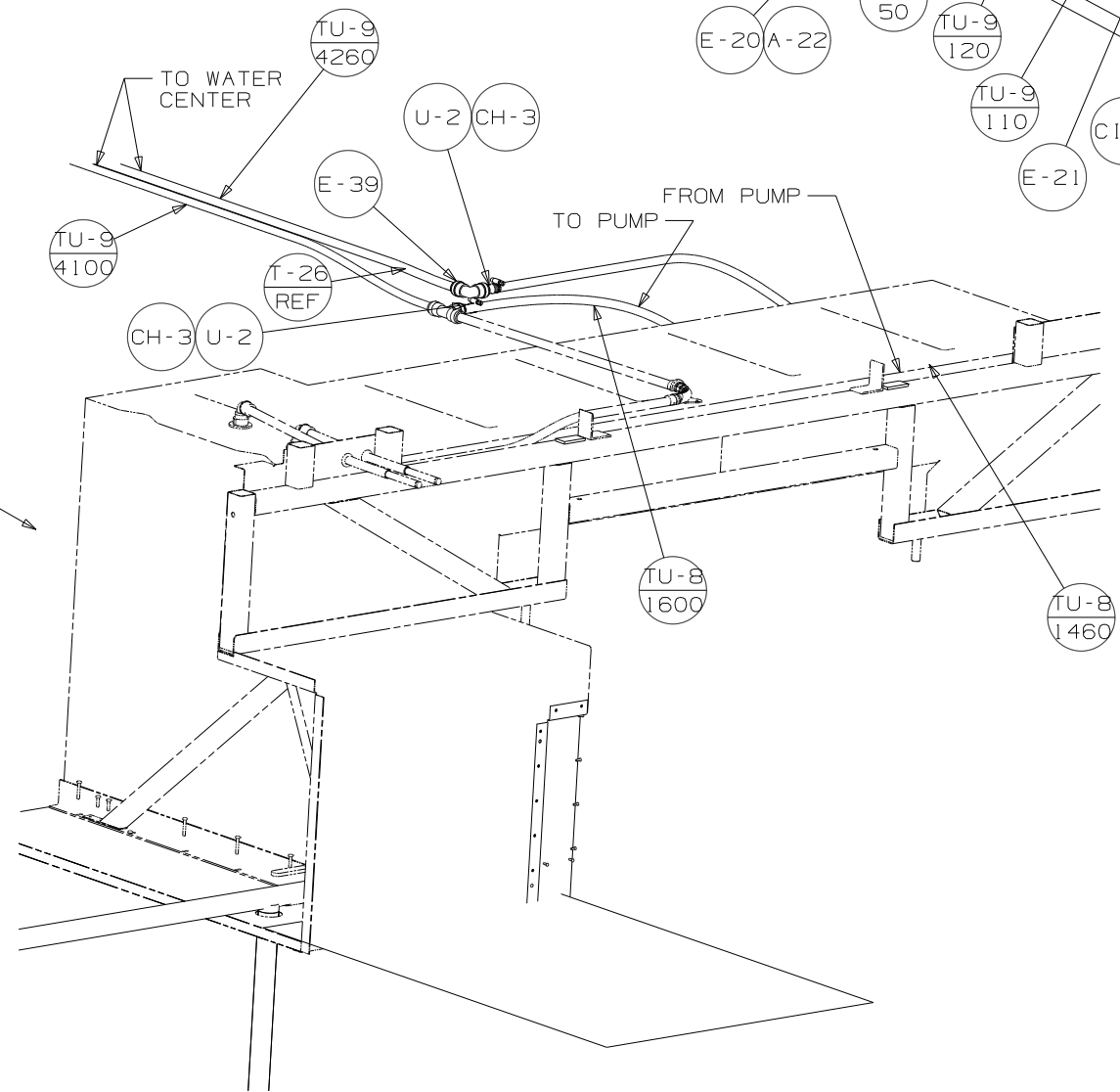
VIEW F
PANEL NOT SHOWN

COVER-VALVE, BYPASS
138618-03-CHT

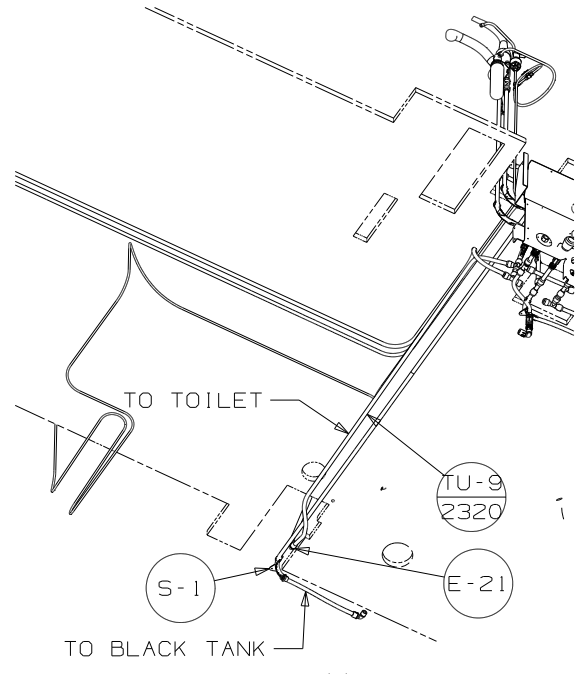


VIEW G

TANK ASM-INSTL
163674 (REF)
(SEE FRAME ASM-CHASSIS)



VIEW J



VIEW H

FIRST USED	09 R40FD	
TITLE	DO NOT SCALE DRAWING	
	WATER SYSTEM INSTL	
SHEET 4	PART NO	166924
	REV	