

2009 Tour/Ellipse R40FD Wiring Diagram Book

110 Volt Load Center/Auto Transfer Switch

AC/Heat/EMS Wiring Diagram

Antenna Installation, Radio and CB

Auto Lamps Wiring Diagram

Automotive Wiring Diagram

Backup Monitor Installation

Battery Installation

Body, 110 Volt Wiring Diagram

Body, 110 Volt Wiring Installation

Body, 12 Volt Wiring Diagram

Body, 12 Volt Wiring Installation

Chassis Wiring Installation

Dash Radio Installation

Exterior Lamps Wiring Installation

Front End Wiring Installation

GPS Wiring Installation

Holding Tank Monitor Panel

Holding Tanks Wiring Diagram

TV Coax Wiring Diagram

TV/DVD, Side Wiring Installation

Complete Wiring Diagram Book (701674-78-040)




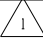
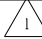
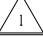
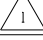




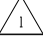
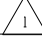
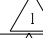
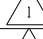
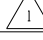

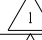
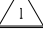
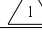


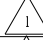
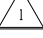
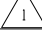

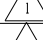
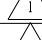
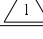
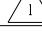
DANGER

Danger of electrical shock, burns or death. Always remove all power sources before attempting any repair, service or diagnostic work. Power can be present from shore power, generator, inverter or battery. All power sources must be disabled and secured before performing any service.



CAUTION

If you lack the skills, tools or equipment to perform diagnostic or repair work leave such work to an authorized Winnebago Industries dealer or other qualified shop.

		8	7	6	5	4	3	2	1
		R40WD	R40KD	R40FD	R40TD				
RED	12-UL	136135-07-080	136135-07-063	136135-07-063	136135-07-125				
	12-CA	136136-07-080	136136-07-063	136136-07-063	136136-07-125				
MAIN	4-3 UL	136141-01-070	136141-01-030	136141-01-032	136141-01-097				
	4-3 CA	136142-01-070	136142-01-030	136142-01-032	136142-01-097				
GRN	12-UL	136135-08-080	136135-08-063	136135-08-063	136135-08-125				
	12-CA	136136-08-080	136136-08-063	136136-08-063	136136-08-125				
INVERTER CHARGER MAIN	10-UL	136137-01-077	136137-01-035	136137-01-032	136137-01-100				
	10-CA	136138-01-077	136138-01-035	136138-01-032	136138-01-100				
YEL	14-UL	136131-05-070	136131-05-060	136131-05-055	136131-05-145	22T			
	14-CA	136134-05-070	136134-05-060	136134-05-055	136134-05-145				
YEL-2	14-UL	136131-13-077 	136131-13-074	136131-13-070 	136131-13-150 				
	14-CA	136134-13-077 	136134-13-074	136134-13-070 	136134-13-150 				
YEL-3	14-UL	136131-17-020	136131-17-020	136131-17-020	136131-17-020				
	14-CA	136134-17-020	136134-17-020	136134-17-020	136134-17-020				
GLD	12-UL	136135-10-075	136135-10-085	136135-10-075	136135-10-030	54E 21M			
	12-CA	136136-10-075	136136-10-085	136136-10-075	136136-10-030				
WHT	12 UL	136135-09-065	136135-09-052	136135-09-060	136135-09-046				
	12 CA	136136-09-065	136136-09-052	136136-09-060	136136-09-046				
INVERTER CHARGER SUB MAIN	10-UL	136137-01-077	136137-01-035	136137-01-032	136137-01-100				
	10-CA	136138-01-077	136138-01-035	136138-01-032	136138-01-100				
BLU	14-UL	136131-02-076 	136131-02-105 	136131-02-240 	136131-02-370				
	14-CA	136134-02-076 	136134-02-105 	136134-02-240 	136134-02-370				
BRN	14-UL	136131-03-081	136131-03-140	136131-03-181 	136131-03-222				
	14-CA	136134-03-081	136134-03-140	136134-03-181 	136134-03-222				
PUR	14-UL	136131-04-230 	136131-04-080	136131-04-198	136131-04-098 				
	14-CA	136134-04-230 	136134-04-080	136134-04-198	136134-04-098 				
ORG	14-UL	136131-16-165	136131-16-146	136131-16-180	136131-16-344				
	14-CA	136134-16-165	136134-16-146	136134-16-180	136134-16-344				
BLK	14-UL	136131-06-055 	136131-06-080 	136131-06-070 	136131-06-162				
	14-CA	136134-06-055 	136134-06-080 	136134-06-070 	136134-06-162				
GRY	14-UL	-----	-----	136131-15-070 	136131-15-080 	14C			
	14-CA	-----	-----	136134-15-070 	136134-15-080 				
GROUND MAIN		136145-01-072	136145-01-025	136145-01-025	136145-01-107				
GROUND SUB MAIN		136145-01-072	136145-01-025	136145-01-025	136145-01-107				
GROUND ATS		136145-01-022	136145-01-007	136145-01-007	136145-01-018				
GROUND INVERTER		136145-01-018	136145-01-018	136145-01-018	136145-01-015				
CABLE ASM. GEN.		136148-02-085	136148-02-124	136148-02-131	136148-02-085				
CONDUIT ASM-CENTRAL A/C		151704-01-028	151704-01-038	151704-01-038	151704-01-028				

22T

54E 21M

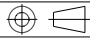
14C

- 54E WASHER/DRYER
- 22T VACUUM SYSTEM-CENTRAL
- 14C FIREPLACE-ELECTRIC
- 21M WASHER/DRYER PREP
- 265 CODES/STANDARDS-CSA/CMVSS
- 1B1 CODES/STANDARDS USA
- 1B1 265

WINNEBAGO COPYRIGHT 2008 WINNEBAGO INDUSTRIES, INC.

DFTR ORIG. DATE
 CHKR ALL DIMENSIONS ARE IN MILLIMETERS
 P.E.
 M.E. FIRST USED
 DSNR 09 R-SERIES

UNSPECIFIED TOLERANCES ARE: MATERIAL:
 HOLE DIM (X) : 3
 ONE-PLACE (X.X) : 1.5
 TWO-PLACE (X.XX) : 0.50
 ANGLE : 1°

THIRD ANGLE PROJECTION 

DO NOT SCALE DRAWING

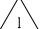
TITLE: LOAD CENTER/ATS ASM

SHEET 1 OF 3 PART NO 166277 REV

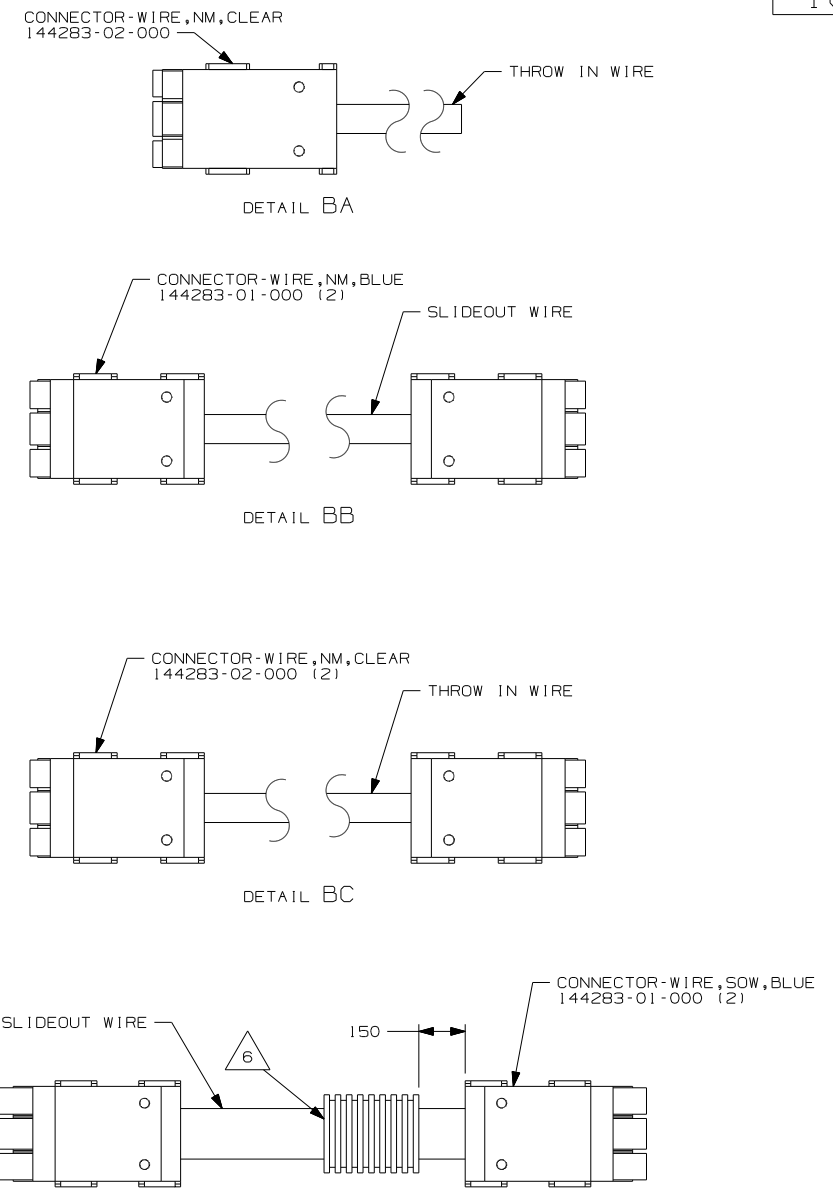
REF: 1 7/1/2008

FOR ELECTRICAL TORQUE SPECIFICATIONS SEE DWG NO. 128783-01-000

X-X FOR ELECTRICAL CALLOUTS SEE DWG NO. 121339-01-000

 SEE DETAIL BA FOR CONNECTOR INSTALLATION.
 NOTES:

	8	7	6	5	4
		R40WD	R40KD	R40FD	R40TD
SLIDEOUT #1		136151-06-022 \triangle_2	136151-03-023 \triangle_2	136151-03-023 \triangle_2	136151-03-021 \triangle_2
WIRE #1					
SLIDEOUT #1		136151-02-022 \triangle_2	-----	136151-06-023 \triangle_2	136151-13-021 \triangle_2
WIRE #2					
SLIDEOUT #1		-----	-----	-----	-----
WIRE #3					
SLIDEOUT #2		136151-04-022 \triangle_2	136151-04-017 \triangle_2	136151-04-020 \triangle_2	136151-04-022 \triangle_2
WIRE #1					
SLIDEOUT #2		-----	-----	-----	136151-15-022 \triangle_2 (14C)
WIRE #2					
SLIDEOUT #3		136151-02-022 \triangle_2	136151-02-022 \triangle_2	136151-04-014 \triangle_5	-----
WIRE #1					
SLIDEOUT #3		136151-13-022 \triangle_2	136151-06-022 \triangle_2	-----	-----
WIRE #2					
SLIDEOUT #3		-----	-----	-----	-----
WIRE #4					
SLIDEOUT #4		-----	-----	136151-02-022 \triangle_5	-----
WIRE #1					
SLIDEOUT #4		-----	-----	136151-13-027 \triangle_5	-----
WIRE #2					
SLIDEOUT #4		-----	-----	136151-15-027 \triangle_5 (14C)	-----
WIRE #3					
EXT ENT CTR SLIDEOUT WIRE		-----	136151-02-012 (1D5) \triangle_2	136151-02-012 (1D5) \triangle_2	136151-02-012 (1D5) \triangle_2
THROW IN WIRE #1	14-UL	136131-03-022	136131-02-066	136131-02-025	136131-03-080 \triangle_1
	14-CA	136134-03-022	136134-02-066	136134-02-025	136134-03-080 \triangle_1
THROW IN WIRE #2	14-UL	136131-04-042 \triangle_1	136131-02-040 \triangle_1	136131-04-035 \triangle_3	136131-04-124 \triangle_1
	14-CA	136134-04-042 \triangle_1	136134-02-040 \triangle_1	136134-04-035 \triangle_3	136134-04-124 \triangle_1
THROW IN WIRE #3	14-UL	136131-13-015	136131-02-050	136131-04-060 \triangle_1	136131-13-015 \triangle_1
	14-CA	136134-13-015	136134-02-050	136134-04-060 \triangle_1	136134-13-015 \triangle_1
THROW IN WIRE #4	14-UL	136131-02-114 \triangle_1	136131-04-003 \triangle_1		136131-15-049 \triangle_1 (14C)
	14-CA	136134-02-114 \triangle_1	136134-04-003 \triangle_1		136134-15-049 \triangle_1 (14C)
THROW IN WIRE #5	14-UL	136131-02-017 \triangle_1	136131-04-055 \triangle_1	136131-15-010 (14C)	136131-02-030 (527)
	14-CA	136134-02-017 \triangle_1	136134-04-055 \triangle_1	136134-15-010 (14C)	136134-02-030 (527)
THROW IN WIRE #6	14-UL	-----	136131-03-070 \triangle_1	136131-04-038 \triangle_1	-----
	14-CA	-----	136134-03-070 \triangle_1	136134-04-038 \triangle_1	-----
THROW IN WIRE #7	14-UL	-----	----	136131-13-010 \triangle_1	-----
	14-CA	-----	----	136134-13-010 \triangle_1	-----
THROW IN WIRE #8	14-UL	-----	136131-02-005 (1D5)	136131-02-005 (1D5)	136131-02-005 \triangle_1 (1D5)
	14-CA	-----	136134-02-005 (1D5)	136134-02-005 (1D5)	136134-02-005 \triangle_1 (1D5)
THROW IN FRONT TV	14-UL	-----	136131-03-006	-----	-----
	14-CA	-----	136134-03-006	-----	-----



- (527) AWNING-PATIO ELECTRIC 110V
- (11C) BREAKFAST BAR
- (14J) LOUNGE CHAIR-EURO ULTRALTHR
- (14D) LOUNGE CHAIR-EURO LEATHER
- (440) LOUNGE CHAIR WITH CABINET
- (1D5) ENTERTAINMENT CENTR/EXT W/CD
- (1D3) ENTERTAIN CENTR/EXT TV-DVD
- (14C) FIREPLACE-ELECTRIC
- (265) CODES/STANDARDS-CSA/CMVSS
- (1B1) CODES/STANDARDS USA

NOTES:

\triangle_2 SEE DETAIL BB FOR CONNECTOR INSTALLATION.

\triangle_1 SEE DETAIL BA FOR CONNECTOR INSTALLATION.

\triangle_6 APPLY 300MM OF CONDUIT-CONVOLUTE 41953-05-000 OVER WIRE AT DIMENSION SHOWN AND SECURE BOTH ENDS OF TUBING TO WIRE WITH TAPE 8363-01-000.

\triangle_3 SEE DETAIL BC FOR CONNECTOR INSTALLATION.

\triangle_5 SEE DETAIL BD FOR CONNECTOR INSTALLATION.

FOR ELECTRICAL TORQUE SPECIFICATIONS SEE DWG NO. 128783-01-000

FOR ELECTRICAL CALLOUTS SEE DWG NO. 121339-01-000

FIRST USED

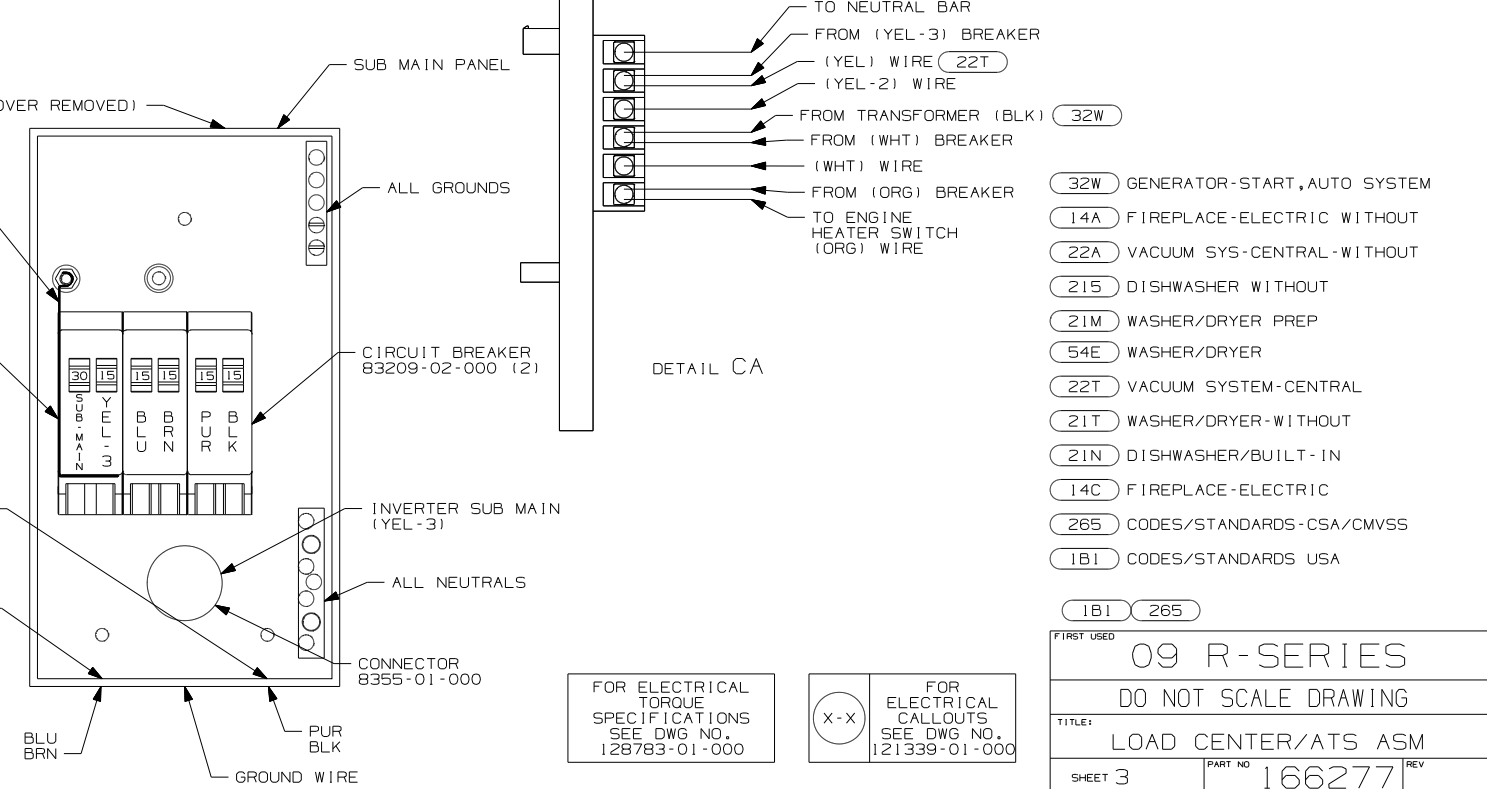
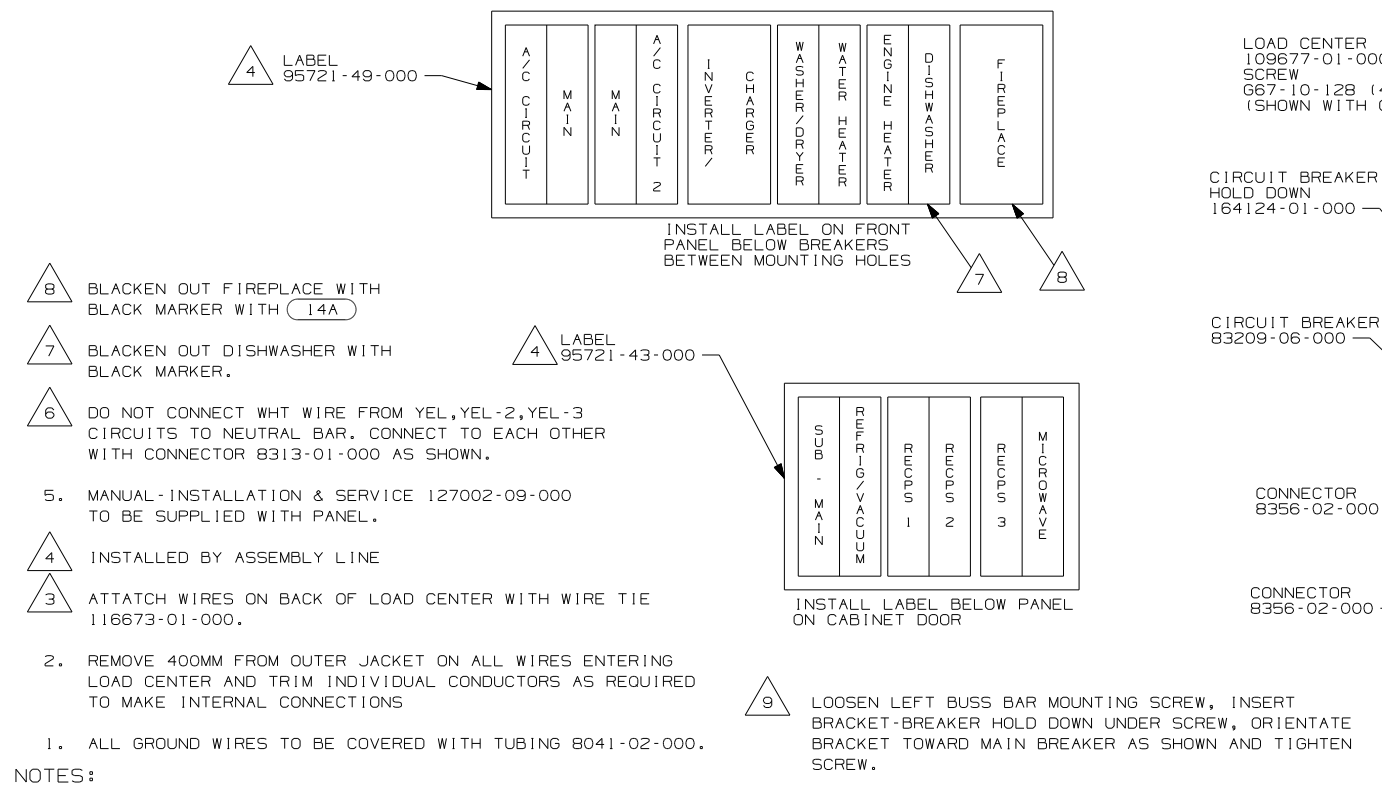
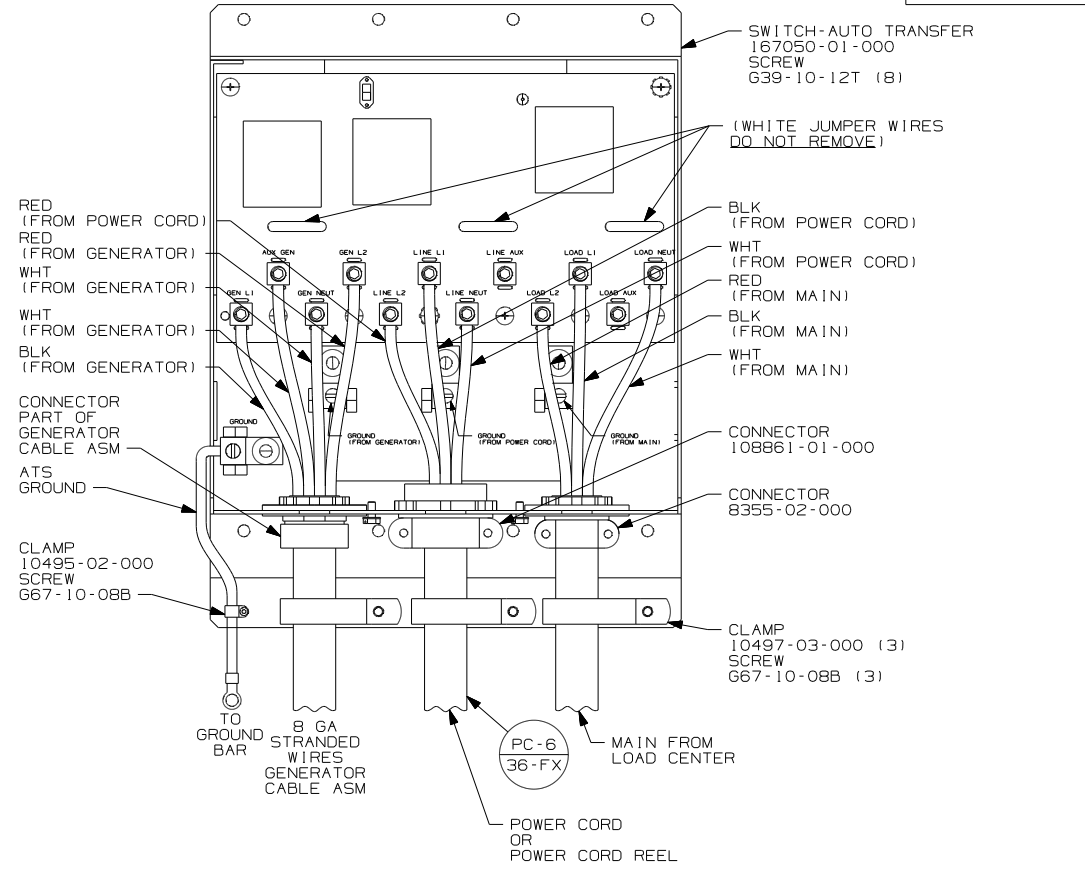
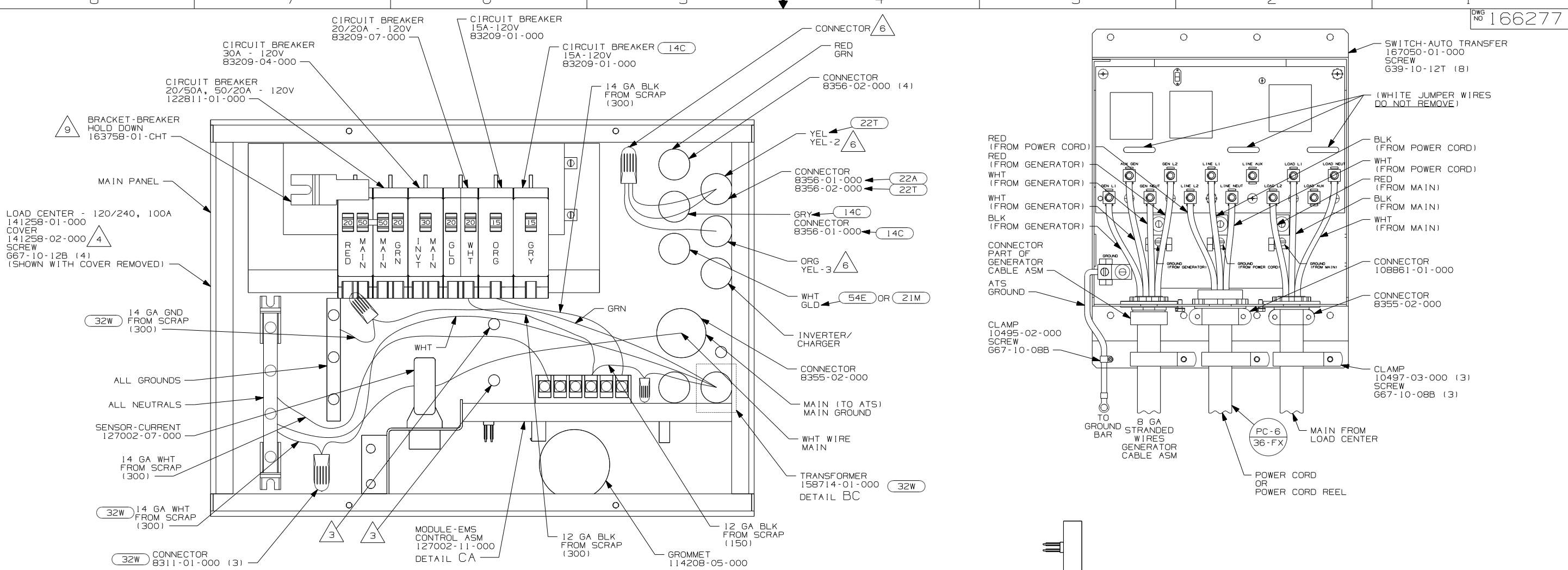
09 R-SERIES

DO NOT SCALE DRAWING

TITLE: **LOAD CENTER/ATS ASM**

SHEET 2 PART NO **166277** REV

1 7/1/2008



FOR ELECTRICAL TORQUE SPECIFICATIONS SEE DWG NO. 128783-01-000

FOR ELECTRICAL CALLOUTS SEE DWG NO. 121339-01-000

FIRST USED	
09 R-SERIES	
DO NOT SCALE DRAWING	
TITLE: LOAD CENTER/ATS ASM	
SHEET 3	PART NO 166277 REV

WITHOUT HEAT PUMP

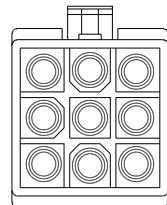
VENDOR SUPPLIED HARNESS

WINNEBAGO SUPPLIED HARNESS

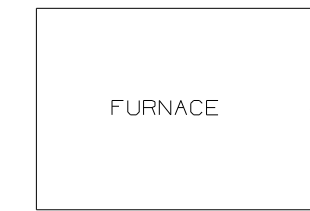
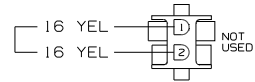
THERMOSTAT

- 1-GRY (FREEZE SWITCH & EXCLUSION RELAY)
- 2-RED (+12VDC)
- 3-GRY (FREEZE SWITCH & EXCLUSION RELAY)
- 4-BLU (-12VDC)
- 5-YEL (COOLING COMPRESSOR #1)
- 6-ORG (COOLING COMPRESSOR #2)
- 7-BLK (FAN HIGH)
- 8-WHT (HEAT PUMP)
- 9-PUR (FAN LOW)

CONNECTS TO AIR CONDITIONER

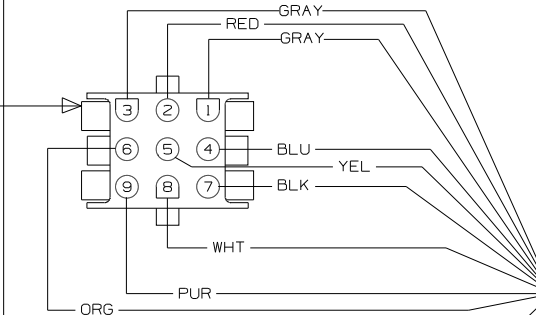
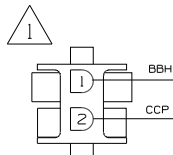
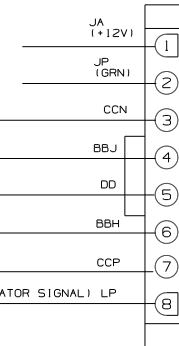
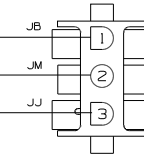
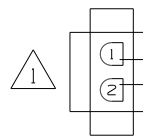
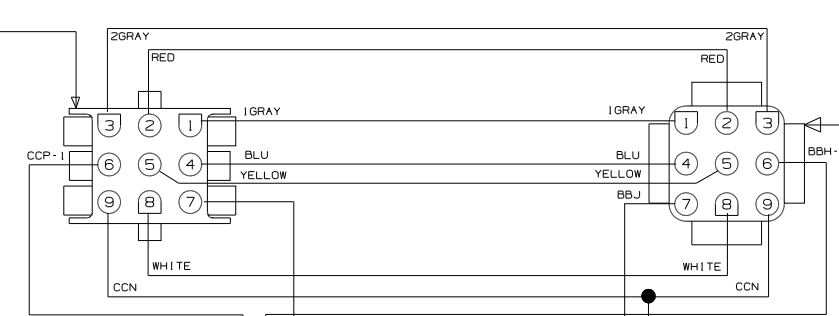


- 1 - GREEN
- 2 - RED
- 3 - BLUE/BLACK
- 4 - BLUE
- 5 - GREEN/BLACK
- 6 - ORANGE
- 7 - BLACK
- 8 - WHITE
- 9 - BLACK/WHITE



- 1 - YEL (12VDC NEGATIVE)
- 2 - BLU (FROM T-STAT)
- 3 - RED (12VDC POSITIVE)
- 4 - BLU

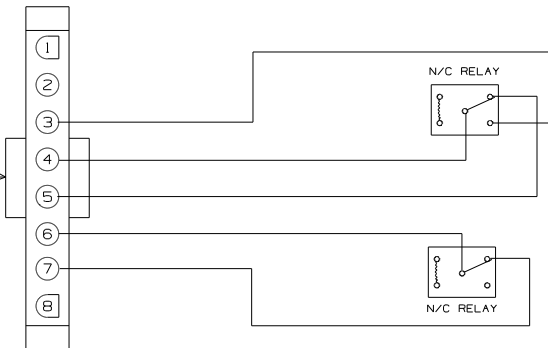
FURNACE



THERMOSTAT

- 1-RED (12VDC POSITIVE)
- 2-BLU (12VDC NEGATIVE)
- 3-WHT (GAS FURNACE)

LOAD SHEDDER BOARD



WIRING DIAGRAM-THERMOSTAT,EXT
(WIRE ASM 135131
WITHOUT HEAT PUMP)

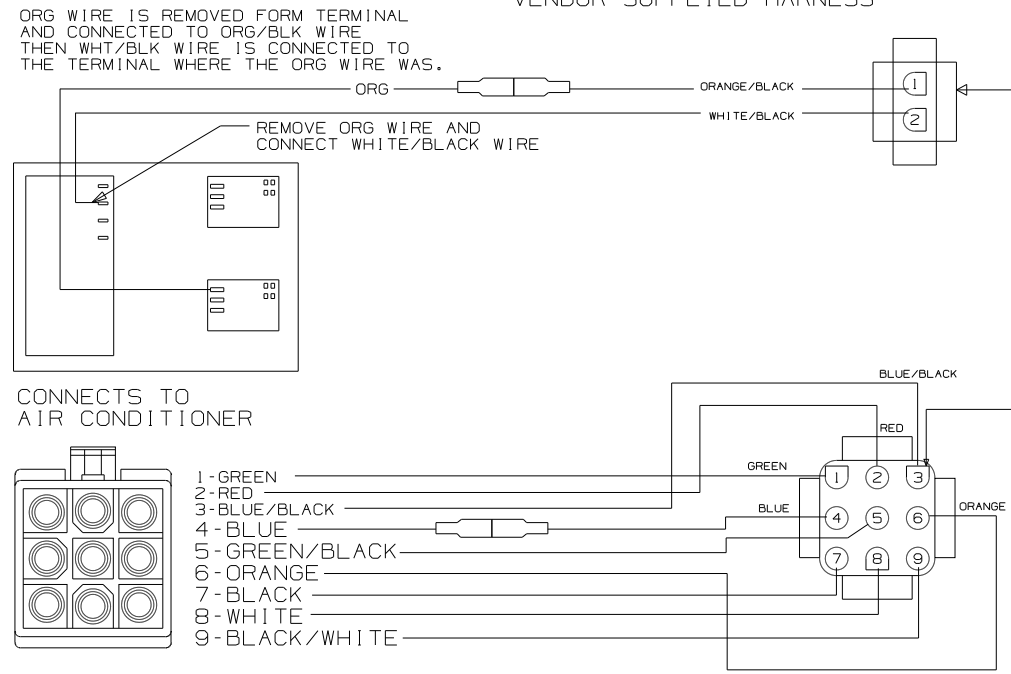
1. CONNECT HOUSING TOGETHER.

NOTES:

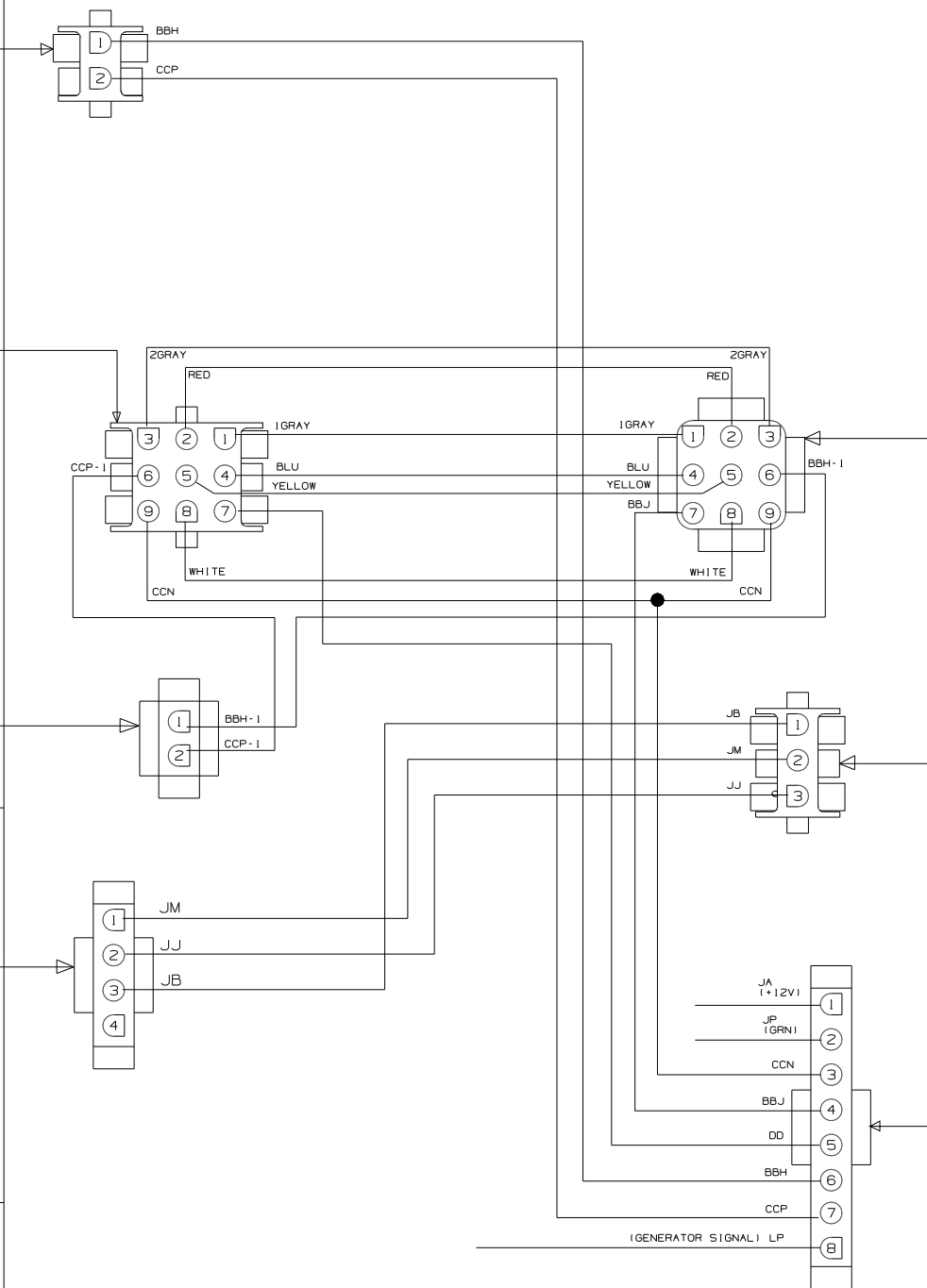
WINNEBAGO		COPYRIGHT 2006 WINNEBAGO INDUSTRIES, INC.	
DFTD	ORIG. DATE		
CHKR	P.E.	ALL DIMENSIONS ARE IN MILLIMETERS	
M.E.	DSNR	FIRST USED	03 SERIES
UNSPECIFIED TOLERANCES ARE:		MATERIAL:	
WHOLE DIM (X)	:		
ONE-PLACE (X.X)	:		
TWO-PLACE (X.XX)	:		
ANGLE	:		
THIRD ANGLE PROJECTION			
DO NOT SCALE DRAWING			
TITLE: WIRING DIAGRAM-AC/HEAT/EMS			
SHEET 1 OF 2	PART NO	138913	
REF:		1 12/11/2007	

WITH HEAT PUMP

VENDOR SUPPLIED HARNESS

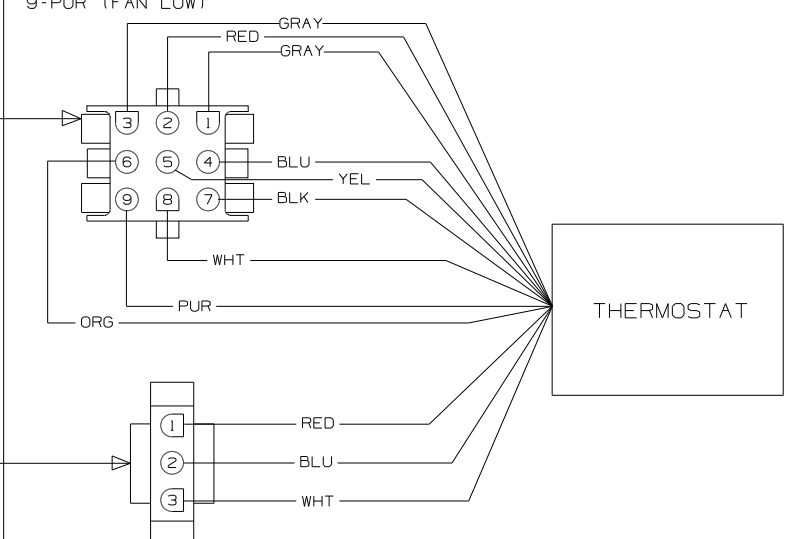


WINNEBAGO SUPPLIED HARNESS

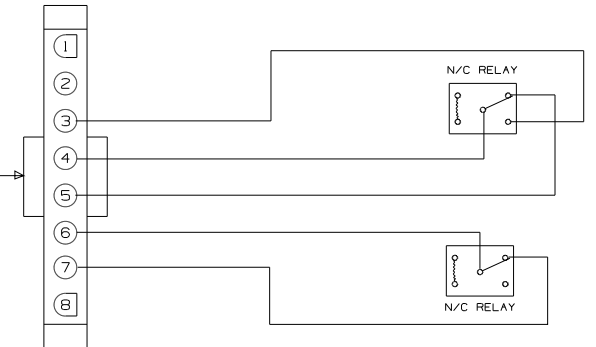


THERMOSTAT

- 1-GRY (FREEZE SWITCH & EXCLUSION RELAY)
- 2-RED (+12VDC)
- 3-GRY (FREEZE SWITCH & EXCLUSION RELAY)
- 4-BLU (-12VDC)
- 5-YEL (COOLING COMPRESSOR #1)
- 6-ORG (COOLING COMPRESSOR #2)
- 7-BLK (FAN HIGH)
- 8-WHT (HEAT PUMP)
- 9-PUR (FAN LOW)



LOAD SHEDDER BOARD



WIRING DIAGRAM-THERMOSTAT,EXT
(WIRE ASM 135131
WITH HEAT PUMP)

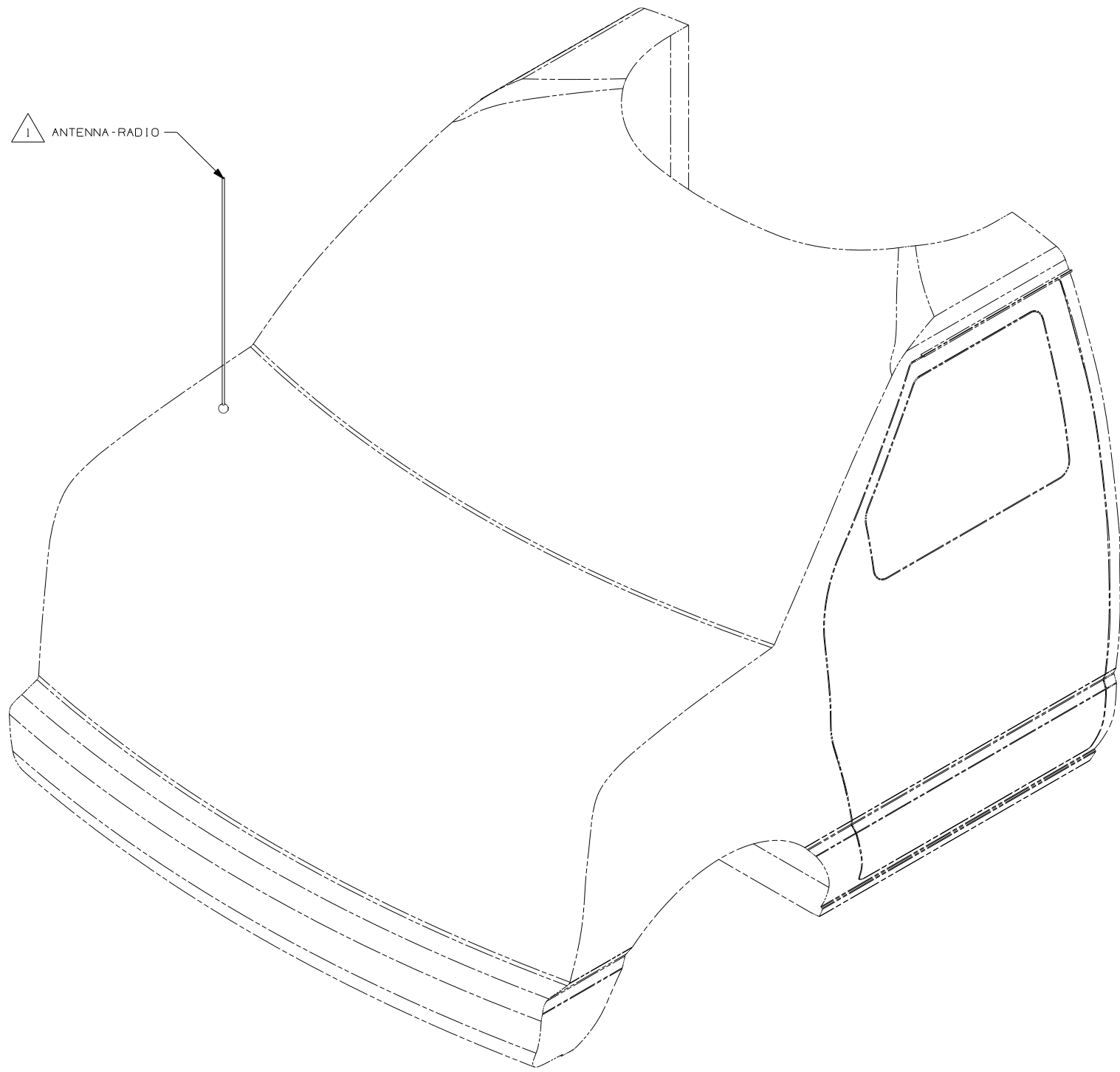
1. RLC FOR 2001 THIS RESET WAS DELETED.

NOTES:

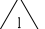
FIRST USED	03 SERIES	
DO NOT SCALE DRAWING		
TITLE:	WIRING DIAGRAM-AC/HEAT/EMS	
SHEET 2	PART NO	138913

DRAWING NO.	SHEET	SERIES
166025-01	1	200
166025-02	2	300
166025-03	3	500
166025-04	4	700
166025-05	5	D, E, J, K
166025-06	6	M, P, R, S
166025-07	7	B-VAN


RELEASE	REV DATE	DWG NO
A		166025
REV ZONE	REVISION RECORD	DATE DFTR-ORIG



1 ANTENNA-RADIO

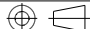
NOTES:  SUPPLIED WITH CHASSIS. USE SHORTEST SUPPLIED ANTENNA.

FOR ELECTRICAL TORQUE SPECIFICATIONS SEE DWG NO. 128783-01-000

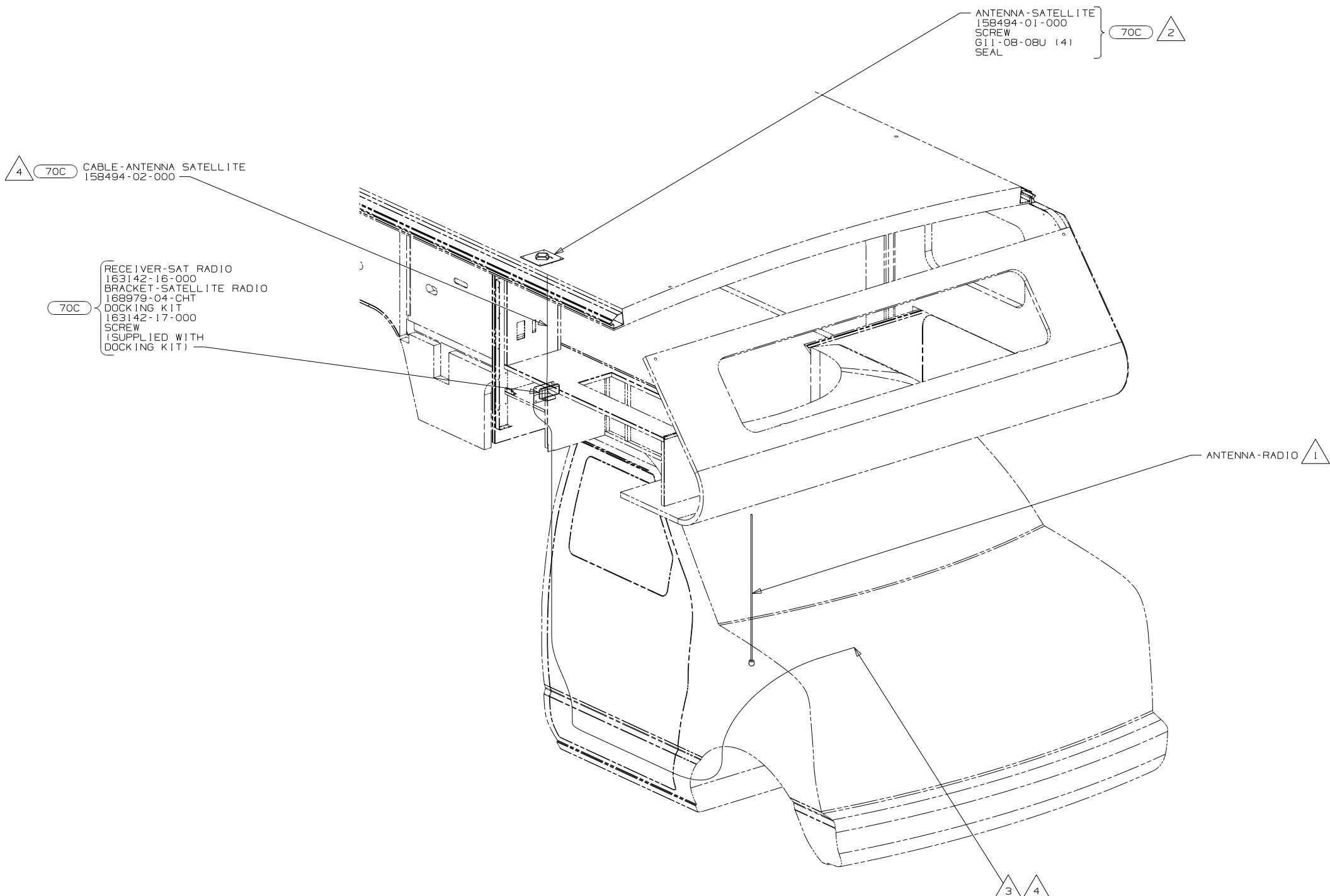
 FOR ELECTRICAL CALLOUTS SEE DWG NO. 121339-01-000

- 265 CODES/STANDARDS-CSA/CMVSS
- 1B1 CODES/STANDARDS USA
- 1B1 265



DFTR	ORIG. DATE
CHKR	ALL DIMENSIONS ARE IN MILLIMETERS
P.E.	
M.E.	FIRST USED
DSNR	09 MOTORHOMES
UNSPECIFIED TOLERANCES ARE:	MATERIAL:
HOLE DIM (X)	: 3
ONE-PLACE (X.X)	: 1.5
TWO-PLACE (X.XX)	: 0.50
ANGLE	: 1°
THIRD ANGLE PROJECTION	

DO NOT SCALE DRAWING	
TITLE:	ANTENNA INSTL-RADIO AND CB
SHEET 1 of 7	PART NO 166025 REV
REF:	1 3/16/2009



- 4 ON 300-SER ROUTE ANTENNA CABLE FROM RADIO TO PASSENGER'S STEPWALL AREA, UP B-POST, INTO WINGWALL, THROUGH SLEEP BOARD ASM TO ENTERTAINMENT CENTER.
- 3 RECEIVER CABLE SUPPLIED WITH RECEIVER.
- 2 MOUNT ANTENNA SUCH THAT BASE IS SQUARE WITH ROOF AND HOLE IS DIRECTLY OVER HOLE IN ROOF. SEAL BOTH THE HOLE IN THE ROOF AND ANTENNA BASE AT SCREWS.
- 1 SUPPLIED WITH CHASSIS. USE SHORTEST SUPPLIED ANTENNA.

NOTES:

- 70C RADIO - SATELLITE
- 265 CODES/STANDARDS-CSA/CMVSS
- 1B1 CODES/STANDARDS USA

1B1 265

09 MOTORHOMES

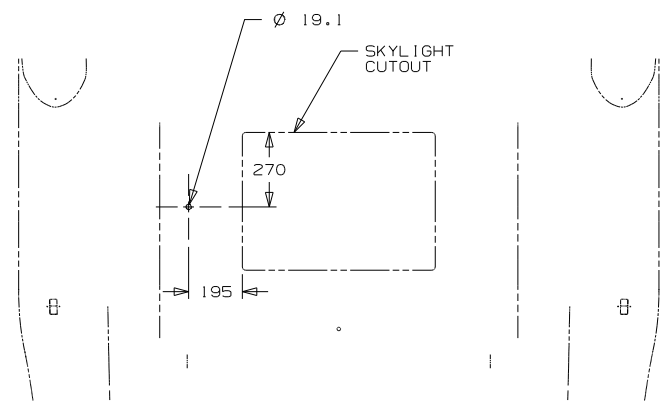
DO NOT SCALE DRAWING

TITLE: ANTENNA INSTL-RADIO AND CB

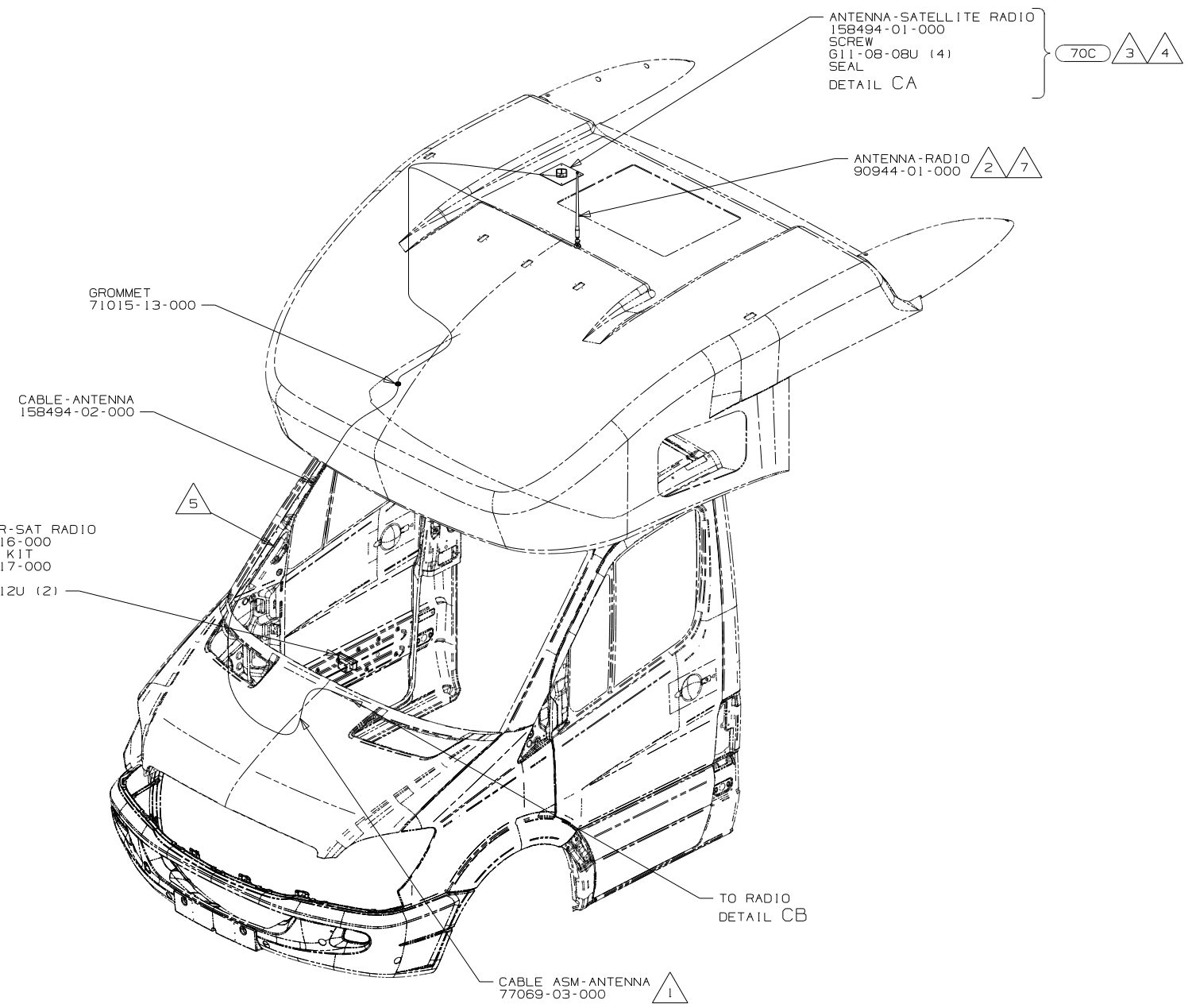
SHEET 2 PART NO 166025 REV

FOR ELECTRICAL
TORQUE
SPECIFICATIONS
SEE DWG NO.
128783-01-000

(X-X)
FOR
ELECTRICAL
CALLOUTS
SEE DWG NO.
121339-01-000



DETAIL CA 70C



- 10 SEE RADIO INSTL FOR ADDITIONAL INFORMATION.
- 9 SUPPLIED WITH SATELLITE RADIO RECEIVER.
- 8 CONNECT UNILINK CABLE SUPPLIED WITH SATELLITE RECEIVER BETWEEN DASH RADIO AND SATELLITE RECEIVER DOCKING KIT. ROUTE UNILINK CABLE ALONG WITH RADIO I-POD CABLE TO TRAY ABOVE DASH RADIO.
- 7 CUT AND REMOVE A 75MM X 75MM AREA OF THE ALUMINUM INSULATION, CENTERED ABOUT THE RADIO ANTENNA ROOF CAP.
- 6 MOUNT SATELLITE RECEIVER DOCKING KIT PEDESTAL MOUNT TO TRAY ABOVE DASH RADIO TOWARDS PASSENGER SIDE.
- 5 ROUTE SATELLITE RADIO ANTENNA CABLE FROM THE DASH UP A-PILLAR TO ROOF CAP.
- 4 SEE WIRING INSTL-CHASSIS FOR ADDITIONAL INFORMATION.
- 3 MOUNT ANTENNA SUCH THAT BASE IS SQUARE W/REAR OF ROOF CAP & CENTER HOLE OF ANTENNA DIRECTLY OVER HOLE IN FIBERGLASS. SEAL HOLE, BASE, AND SCREWS.
- 2 SEAL AROUND ANTENNA BASE.
- 1 ROUTE RADIO ANTENNA CABLE FROM DASH RADIO UNDER DASH UP PASSENGER SIDE A-PILLAR TO ROOF CAP.

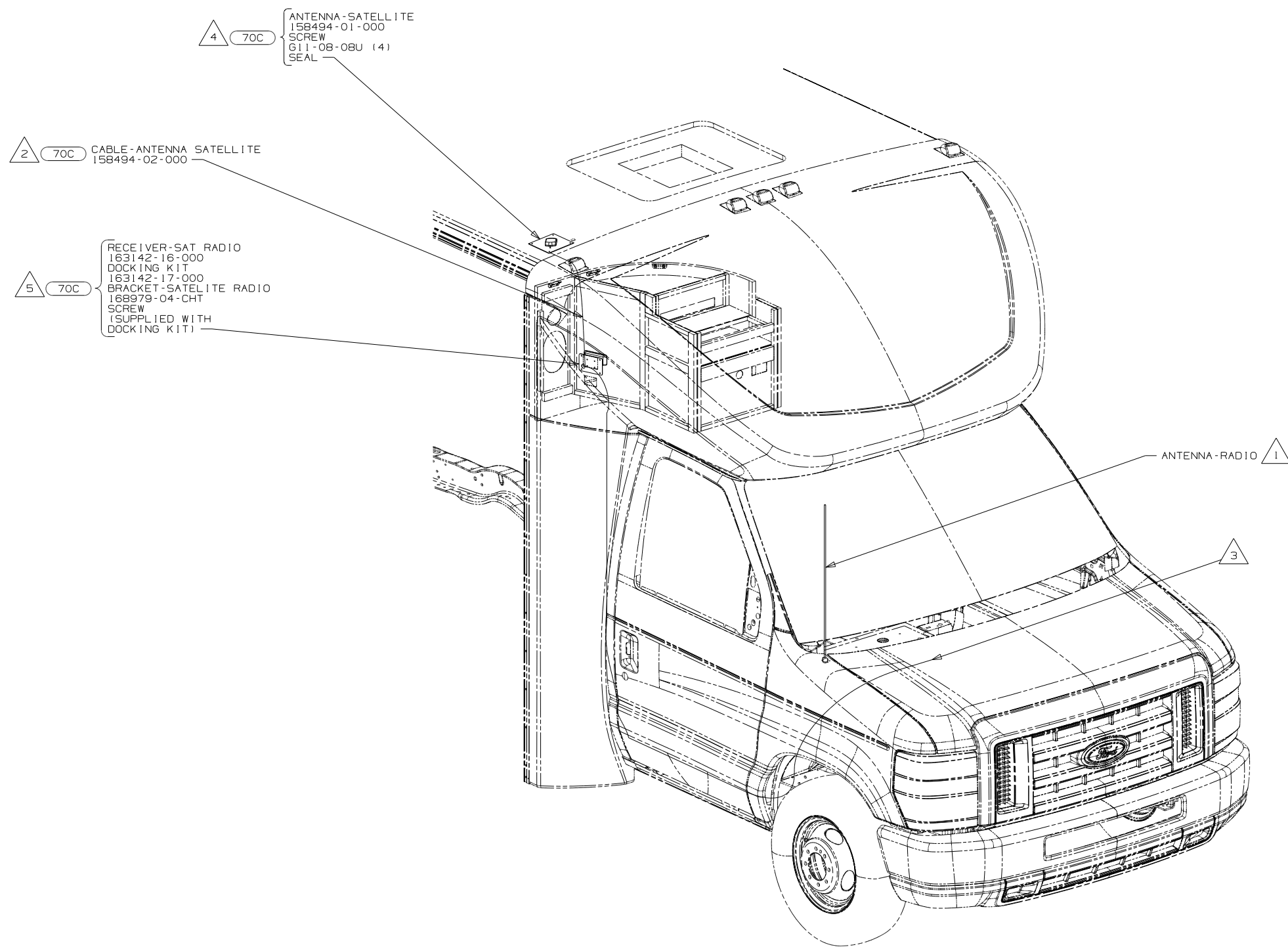
NOTES:

- 70C RADIO - SATELLITE
- 265 CODES/STANDARDS-CSA/CMVSS
- 1B1 CODES/STANDARDS USA

FIRST USED	
09 MOTORHOMES	
DO NOT SCALE DRAWING	
TITLE: ANTENNA INSTL-RADIO AND CB	
SHEET 3	PART NO 166025 REV

FOR ELECTRICAL TORQUE SPECIFICATIONS SEE DWG NO. 128783-01-000

FOR ELECTRICAL CALLOUTS SEE DWG NO. 121339-01-000



- 5 MOUNT SATELLITE RECEIVER DOCKING KIT IN CUTOUT PROVIDED IN THE FRONT ENTERTAINMENT CENTER.
- 4 MOUNT ANTENNA SUCH THAT BASE IS SQUARE WITH ROOF AND HOLE IS DIRECTLY OVER HOLE IN ROOF. SEAL BOTH THE HOLE IN THE ROOF AND ANTENNA BASE AT SCREWS.
- 3 RECEIVER CABLE SUPPLIED WITH RECEIVER.
- 2 ROUTE ANTENNA CABLE FROM UNDER PASSENGER'S SEAT UP B-POST, INTO WINGWALL, UP THROUGH ENTERTAINMENT CENTER BEHIND SPEAKER, ROUTE CABLE THROUGH ROUTED PATH IN ROOF ASM.
- 1 SUPPLIED WITH CHASSIS. USE SHORTEST ANTENNA.

NOTES:

- 70C RADIO - SATELLITE
- 265 CODES/STANDARDS - CSA/CMVSS
- 1B1 CODES/STANDARDS USA

FIRST USED	
09 MOTORHOMES	
DO NOT SCALE DRAWING	
TITLE: ANTENNA INSTL-RADIO AND CB	
SHEET 4	PART NO 166025 REV

FOR ELECTRICAL TORQUE SPECIFICATIONS SEE DWG NO. 128783-01-000

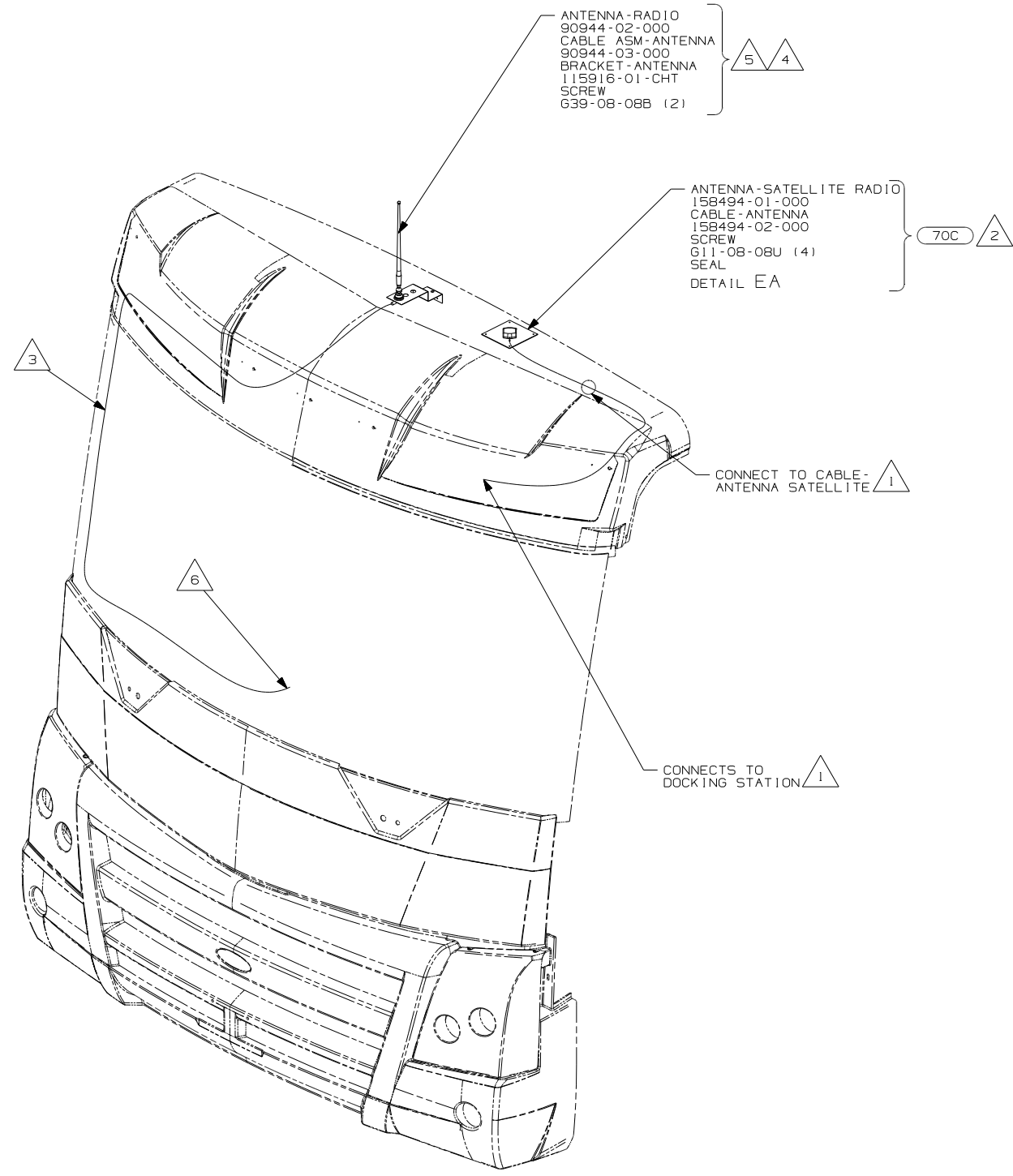
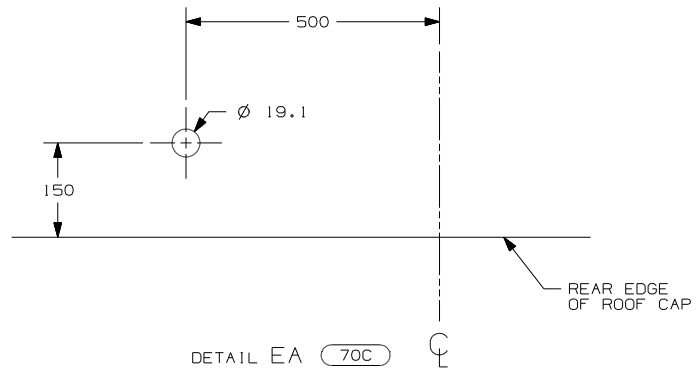
FOR ELECTRICAL CALLOUTS SEE DWG NO. 121339-01-000

8 7 6 5 4 3 2 1

8 7 6 5 4 3 2 1

D C B A

D C B A



- NOTES:
- 6 TO RADIO.
 - 5 USE HOLE IN BRACKET AS GUIDE TO DRILL 13 DIAMETER HOLE IN FIBERGLASS.
 - 4 SEAL AROUND ANTENNA BASE.
 - 3 ROUTE CABLE ALONG A-POST, UNDER TRIM COVER.
 - 2 MOUNT ANTENNA SUCH THAT BASE IS SQUARE W/REAR OF ROOF CAP & HOLE IS DIRECTLY OVER HOLE IN FIBERGLASS. SEAL HOLE IN ROOF CAP, BASE AT SCREWS.
 - 1 SEE WIRING INSTL-FRONT END FOR ADDITIONAL INFORMATION.

70C RADIO - SATELLITE

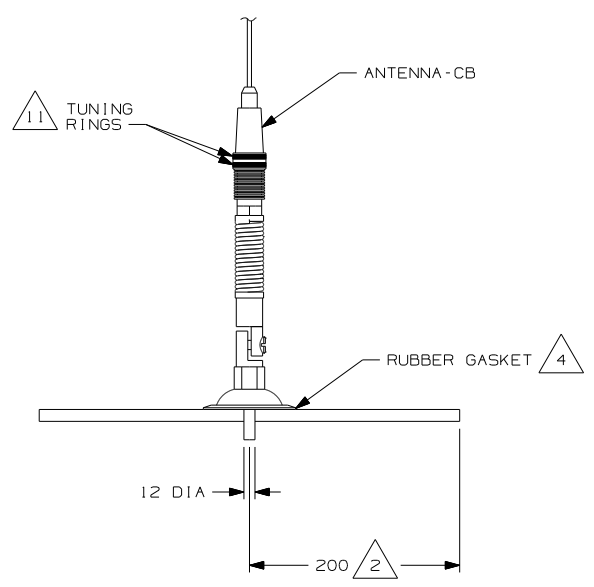
265 CODES/STANDARDS-CSA/CMVSS

1B1 CODES/STANDARDS USA

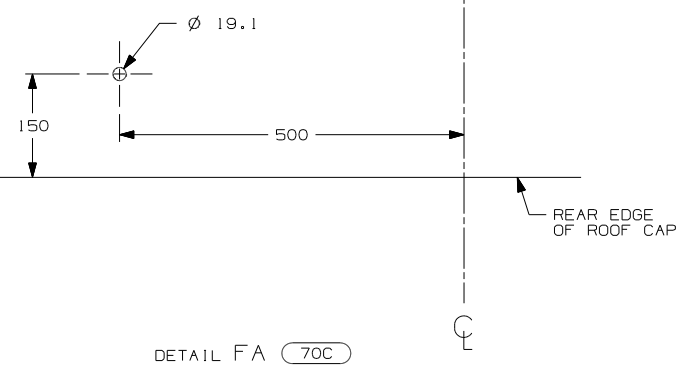
FIRST USED	
09 MOTORHOMES	
DO NOT SCALE DRAWING	
TITLE: ANTENNA INSTL-RADIO AND CB	
SHEET 5	PART NO 166025 REV

FOR ELECTRICAL TORQUE SPECIFICATIONS SEE DWG NO. 128783-01-000

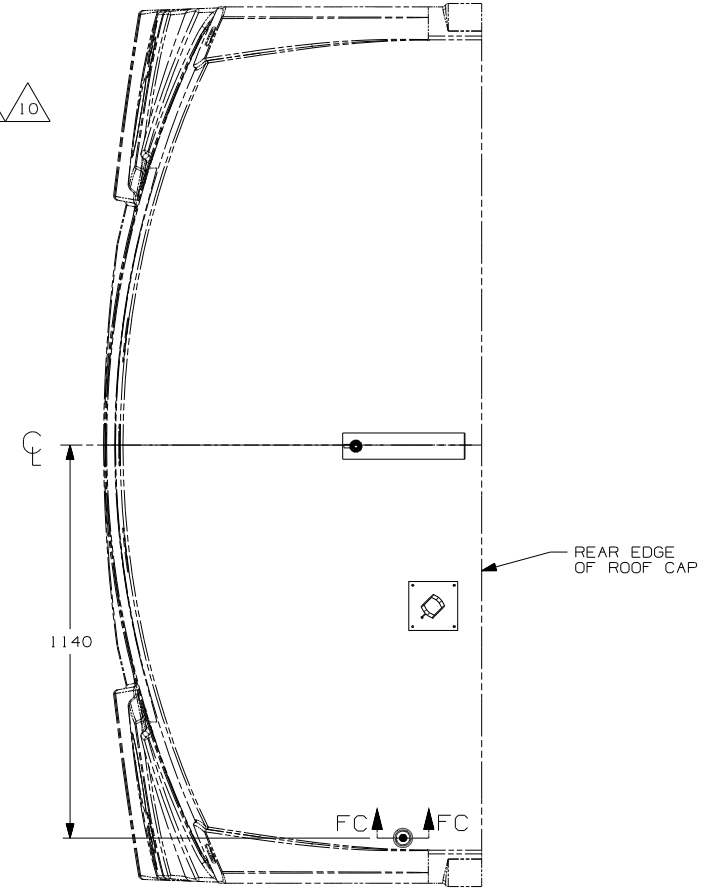
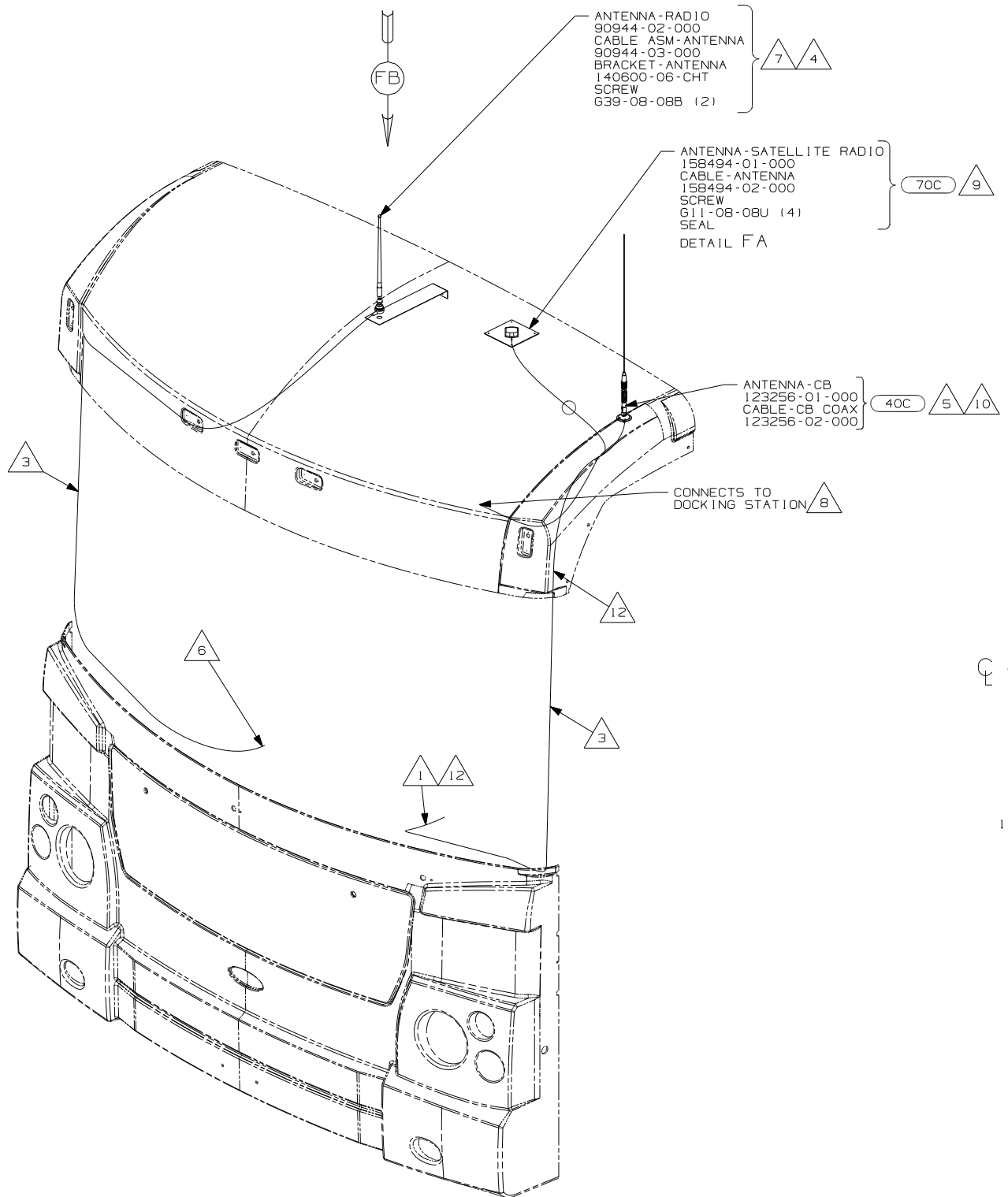
FOR ELECTRICAL CALLOUTS SEE DWG NO. 121339-01-000



VIEW FC-FC (40C)



DETAIL FA (70C)



VIEW FB (40C)

- 12 PROVIDE A 1000 MM DROP OF CB ANTENNA CABLE FROM THE TOP OF THE A-PILLAR TO CONNECT TO THE ANTENNA AND PLACE THE EXCESS CABLE IN THE CB PREP BAG LOCATED UNDER THE DASH.
- 11 TUNING RINGS ARE TO BE BOTH ADJUSTED TO THE TOP OF THEIR TRAVEL AND TIGHTENED AGAINST EACH OTHER.
- 10 TIGHTEN JOINTS BETWEEN ANTENNA BASE AND ANTENNA PIVOT AND ALSO THE MAST AND ANTENNA PLATE.
- 9 MOUNT ANTENNA SUCH THAT BASE IS SQUARE W/REAR OF ROOF CAP & HOLE IS DIRECTLY OVER HOLE IN FIBERGLASS. SEAL HOLE IN ROOF CAP, BASE AT SCREWS.
- 8 SEE WIRING INSTL-FRONT END FOR ADDITIONAL INFORMATION.
- 7 USE HOLE IN BRACKET AS GUIDE TO DRILL 13 DIAMETER HOLE IN FIBERGLASS.
- 6 TO RADIO.
- 5 ATTACH ANTENNA-CB GROUND WIRE TO CAB FRAME, USE SCREW G39-08-08B.
- 4 SEAL AROUND ANTENNA BASE.
- 3 ROUTE CABLE ALONG A-POST, UNDER TRIM COVER.
- 2 MEASURED FROM REAR EDGE OF FIBERGLASS CAP.
- 1 SEE WIRING INSTL-FRONT END FOR LOCATION OF COAX END AND LABEL.

NOTES:

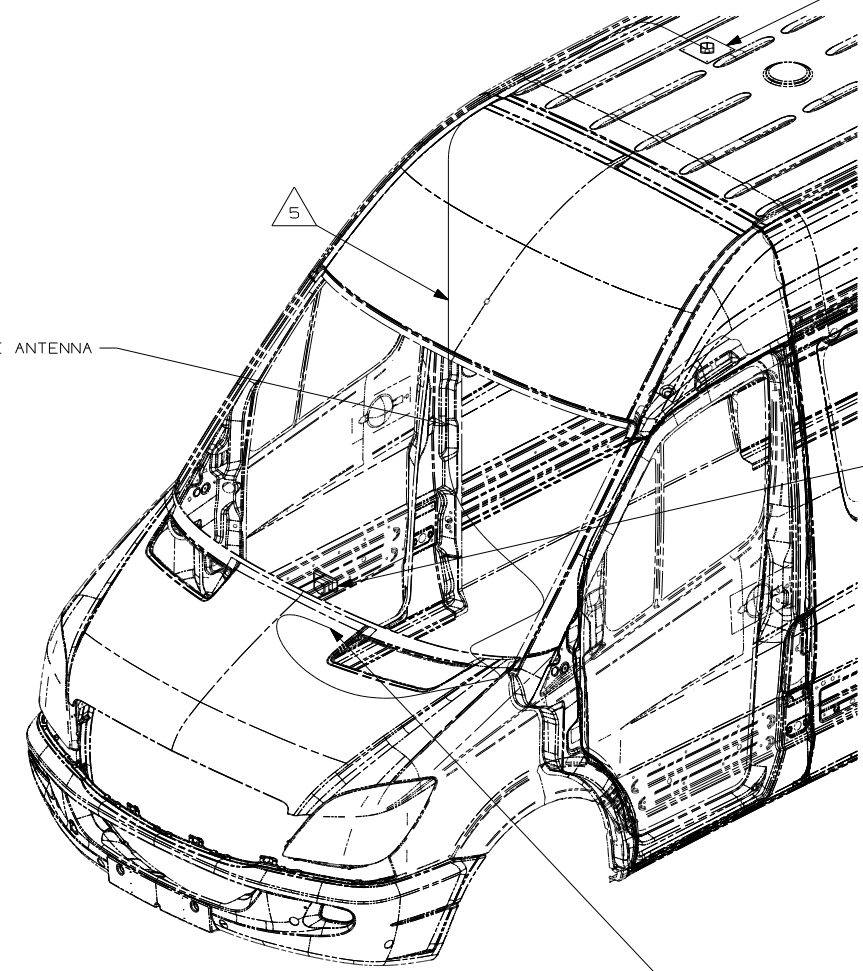
- (70C) RADIO - SATELLITE
- (40C) RADIO - CB
- (265) CODES/STANDARDS-CSA/CMVSS
- (1B1) CODES/STANDARDS USA

(1B1) (265)

FOR ELECTRICAL TORQUE SPECIFICATIONS SEE DWG NO. 128783-01-000

(X-X) FOR ELECTRICAL CALLOUTS SEE DWG NO. 121339-01-000

FIRST USED	
09 MOTORHOMES	
DO NOT SCALE DRAWING	
TITLE: ANTENNA INSTL-RADIO AND CB	
SHEET 6	PART NO 166025 REV



ANTENNA-SATELLITE RADIO
158494-01-000
SCREW
639-08-08U (4)
SEAL

5 70C { CABLE-SATELLITE ANTENNA
158494-02-000

RECEIVER-SAT RADIO
163142-16-000
DOCKING KIT
163142-17-000
SCREW
611-08-12U (2)

- 8 CONNECT UNILINK CABLE SUPPLIED WITH SATELLITE RECEIVER BETWEEN DASH RADIO AND SATELLITE RECEIVER DOCKING KIT. ROUTE UNILINK CABLE ALONG WITH RADIO I-POD CABLE TO TRAY ABOVE DASH RADIO.
- 7 SEE CHASSIS-MODIFIED FOR HOLE LOCATION.
- 6 MOUNT SATELLITE RECEIVER DOCKING KIT PEDESTAL MOUNT TO TRAY ABOVE RADIO TOWARDS PASSENGER SIDE.
- 5 ROUTE SATELLITE RADIO ANTENNA CABLE FROM DOCKING KIT MOUNTED IN TRAY ABOVE DASH RADIO DOWN DASH TO WIRE CHANNEL IN CAB FLOOR. ROUTE ANTENNA CABLE TO PASSENGER SIDE SEAT PEDESTAL THEN UP B-PILLAR TO THE ROOF.
- 4 SEE WIRING INSTL-CHASSIS FOR ADDITIONAL INFORMATION.
- 3 MOUNT ANTENNA SUCH THAT BASE IS SQUARE WITH ROOF & CENTER HOLE OF ANTENNA DIRECTLY OVER HOLE IN ROOF. SEAL HOLE, BASE, AND SCREWS.
- 2 SUPPLIED WITH SATELLITE RADIO RECEIVER.
- 1 SEE RADIO INSTL FOR ADDITIONAL INFORMATION.

NOTES:

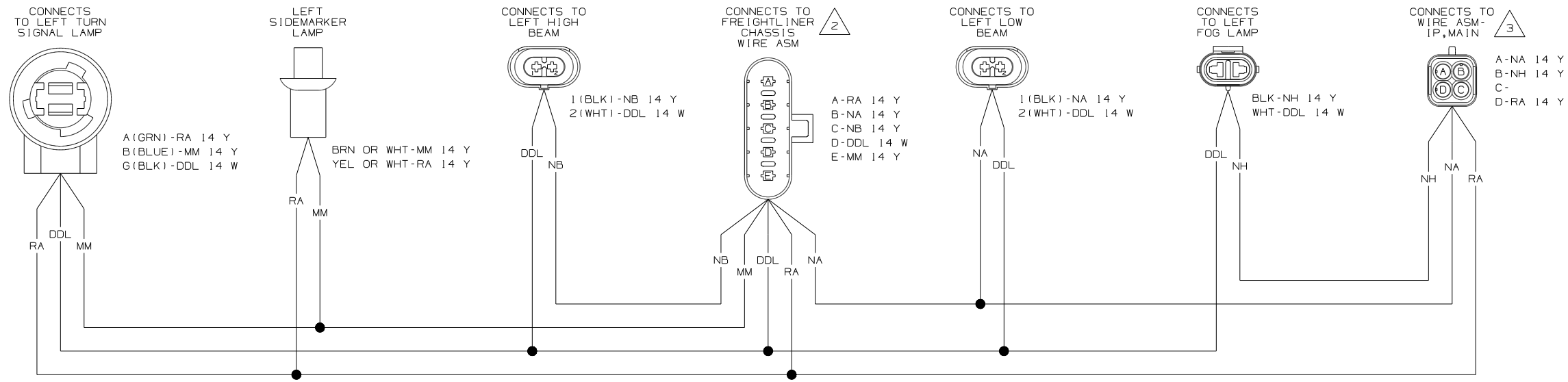
70C RADIO - SATELLITE
265 CODES/STANDARDS-CSA/CMVSS
1B1 CODES/STANDARDS USA

1B1 265

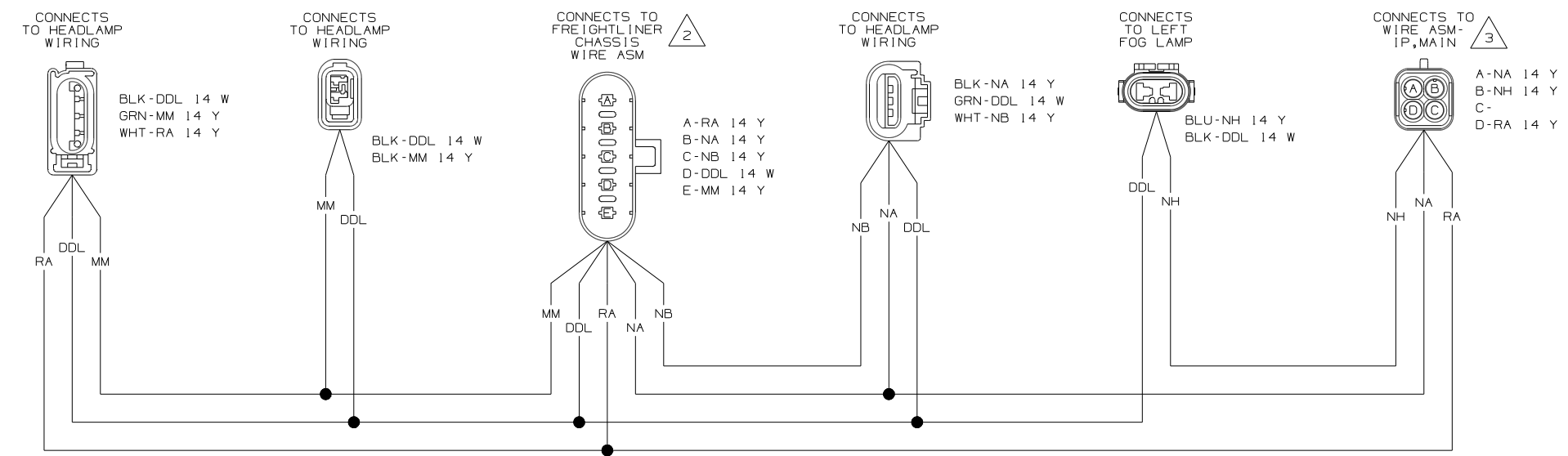
FOR ELECTRICAL TORQUE SPECIFICATIONS SEE DWG NO. 128783-01-000

FOR ELECTRICAL CALLOUTS SEE DWG NO. 121339-01-000

FIRST USED	
09 MOTORHOMES	
DO NOT SCALE DRAWING	
TITLE: ANTENNA INSTL-RADIO AND CB	
SHEET 7	PART NO 166025 REV



WIRING DIAGRAM-HEADLAMP
(WIRE ASM 146086-09 REV-T)
(WINNEBAGO)

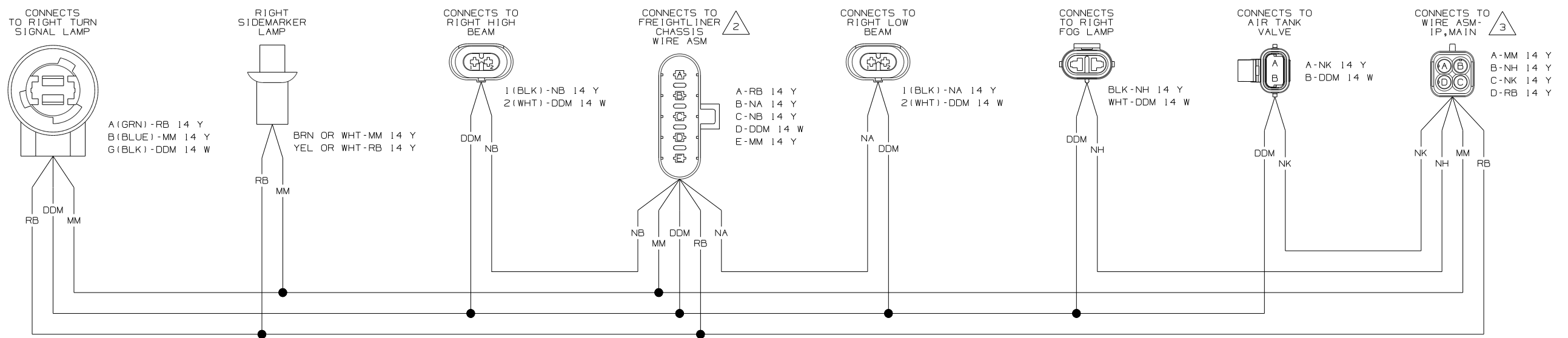


WIRING DIAGRAM-HEADLAMP
(WIRE ASM 146086-11 REV-T)
(ITASCA)

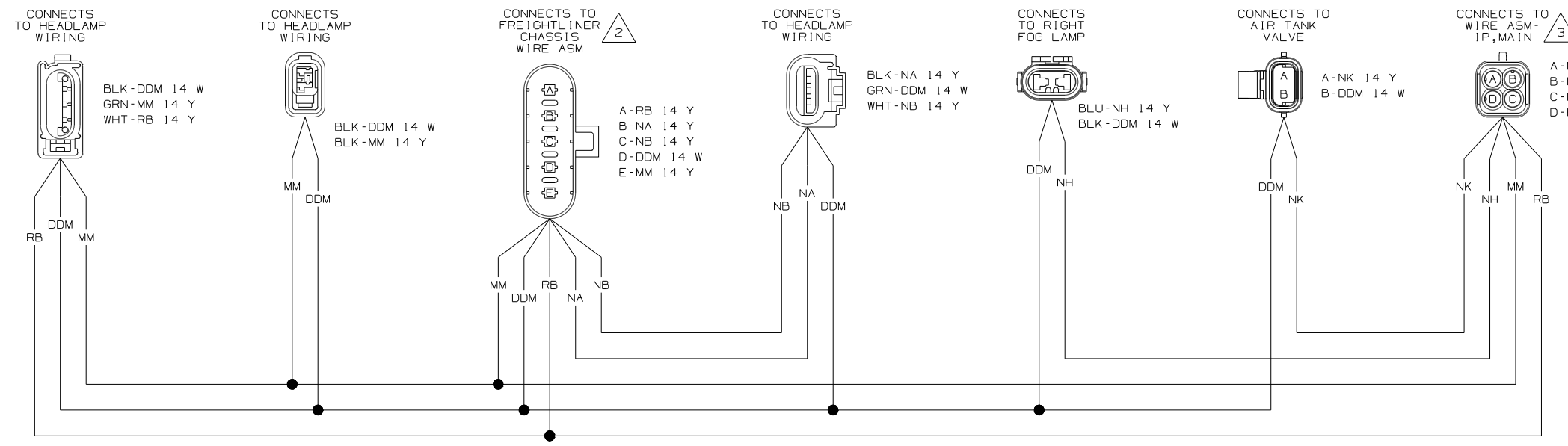
- ³ SEE WIRING DIAGRAM-AUTO FOR ADDITIONAL INFORMATION.
- ² SEE MANUFACTURERS DIAGRAM FOR ADDITIONAL INFORMATION.
1. SPLICES ARE THEORETICAL AND MAY DIFFER IN THE HARNESS.

NOTES:

WINNEBAGO		COPYRIGHT 2006 WINNEBAGO INDUSTRIES, INC.	
DFT	ORIG. DATE	ALL DIMENSIONS ARE IN MILLIMETERS	
CHKR		FIRST USED	
P.E.		09 R-SERIES	
M.E.		UNSPECIFIED TOLERANCES ARE:	
DSNR		MATERIAL:	
		WHOLE DIM (X) :	
		ONE-PLACE (X.X) :	
		TWO-PLACE (X.XX) :	
		ANGLE :	
		THIRD ANGLE PROJECTION	
DO NOT SCALE DRAWING			
TITLE: WIRING DIAGRAM-AUTO LAMPS			
SHEET 1 OF 3	PART NO	166423	REV
REF:	1 1/14/2008		



WIRING DIAGRAM-HEADLAMP
(WIRE ASM 146086-10 REV-T)
(WINNEBAGO)

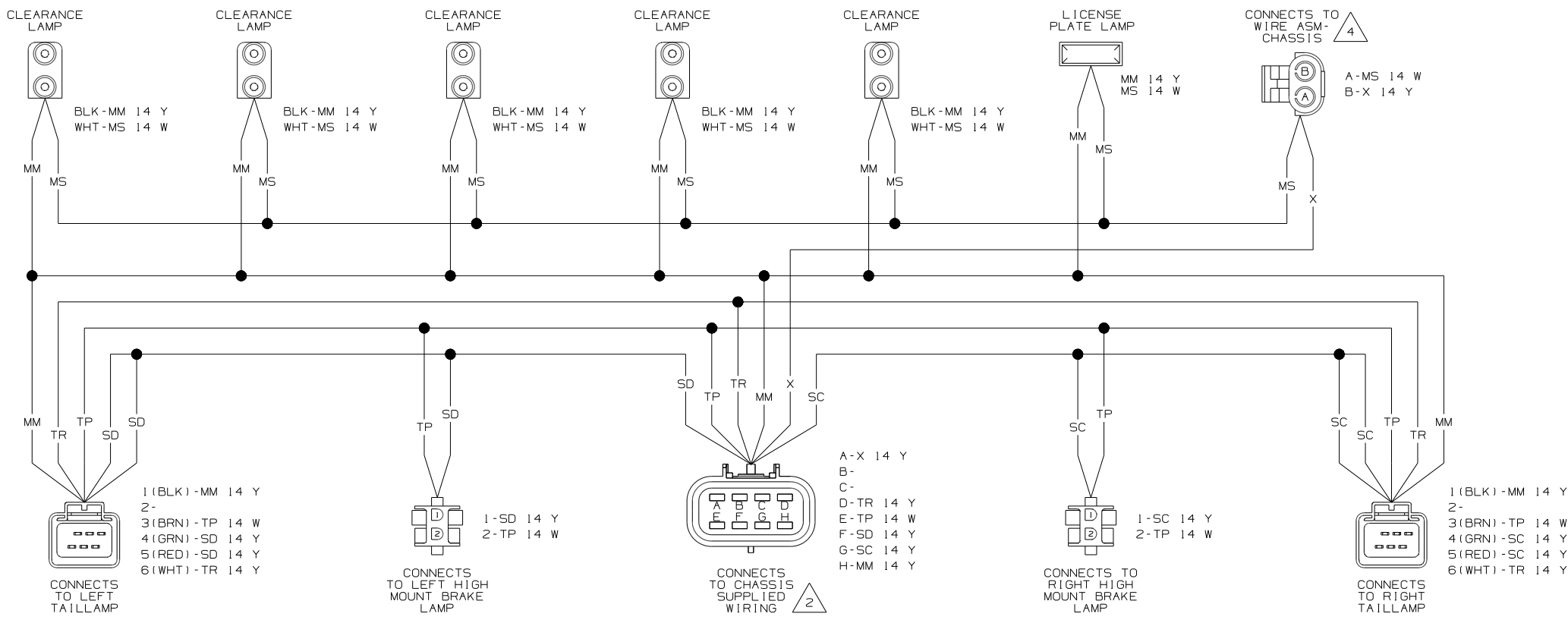


WIRING DIAGRAM-HEADLAMP
(WIRE ASM 146086-12 REV-T)
(ITASCA)

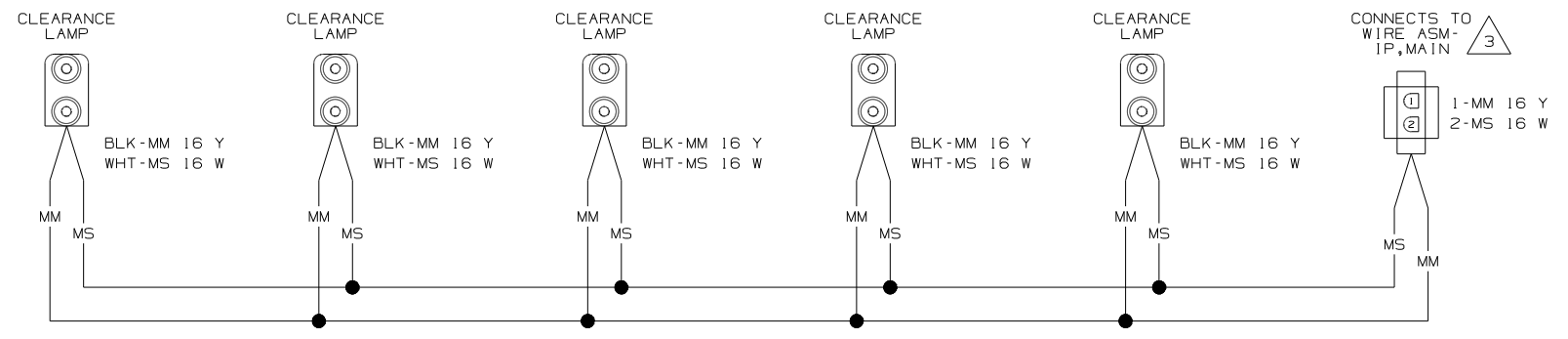
- ³ SEE WIRING DIAGRAM-AUTO FOR ADDITIONAL INFORMATION.
 - ² SEE MANUFACTURERS DIAGRAM FOR ADDITIONAL INFORMATION.
1. SPLICES ARE THEORETICAL AND MAY DIFFER IN THE HARNESS.

NOTES:

FIRST USED	09 R-SERIES		
TITLE:	DO NOT SCALE DRAWING		
	WIRING DIAGRAM-AUTO LAMPS		
SHEET 2	PART NO	166423	REV



WIRING DIAGRAM-BACKWALL, FL
(WIRE ASM 146221-08 REV-S)
(WINNEBAGO & ITASCA)



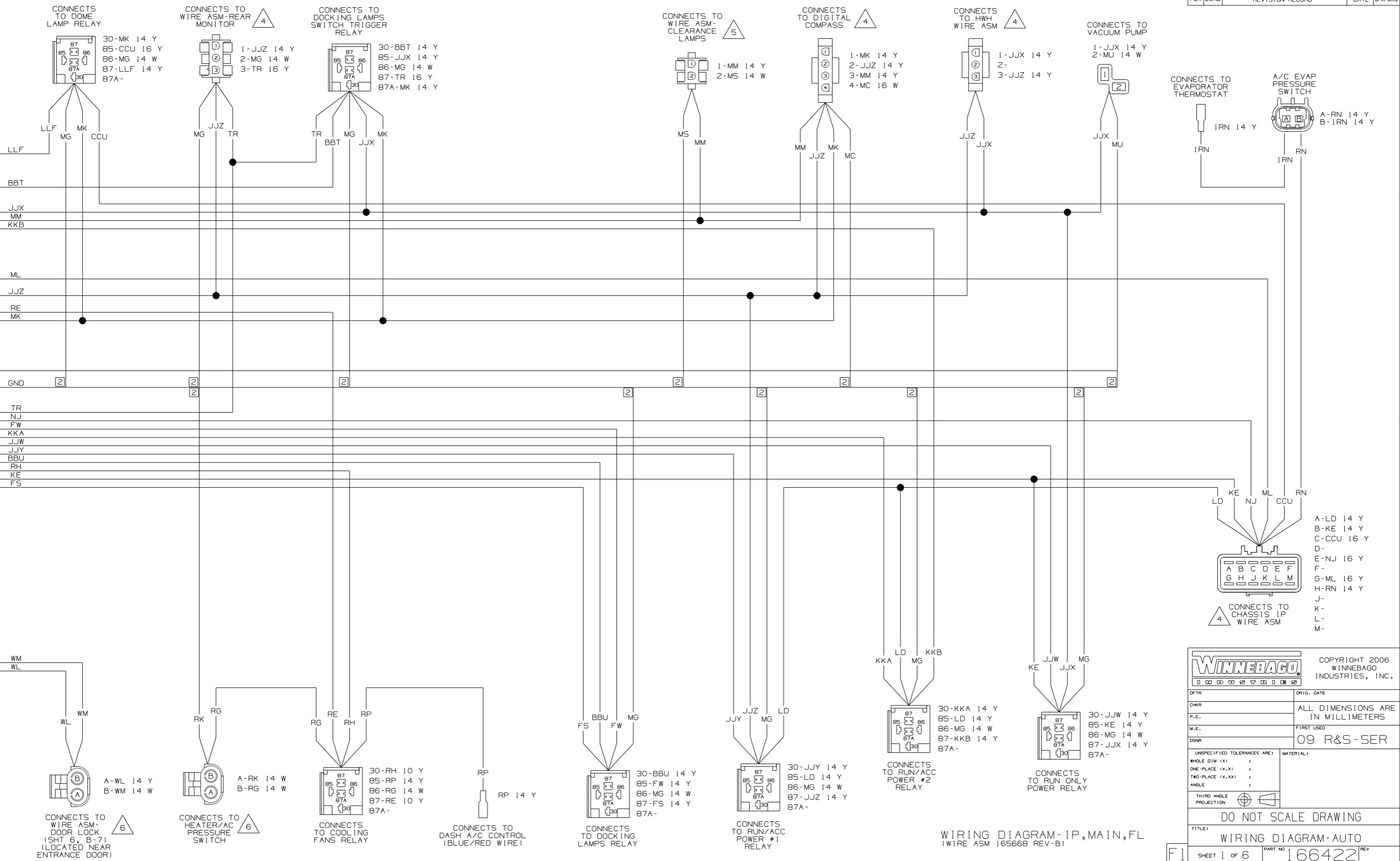
WIRING DIAGRAM-CLEARANCE LAMPS
(WIRE ASM 126486-04 REV-F)
(WINNEBAGO & ITASCA)

- △ 4 SEE WIRING DIAGRAM-BODY, 12V FOR ADDITIONAL INFORMATION.
- △ 3 SEE WIRING DIAGRAM-AUTO FOR ADDITIONAL INFORMATION.
- △ 2 SEE MANUFACTURERS DIAGRAM FOR ADDITIONAL INFORMATION.

1. SPLICES ARE THEORETICAL AND MAY DIFFER IN THE HARNESS.

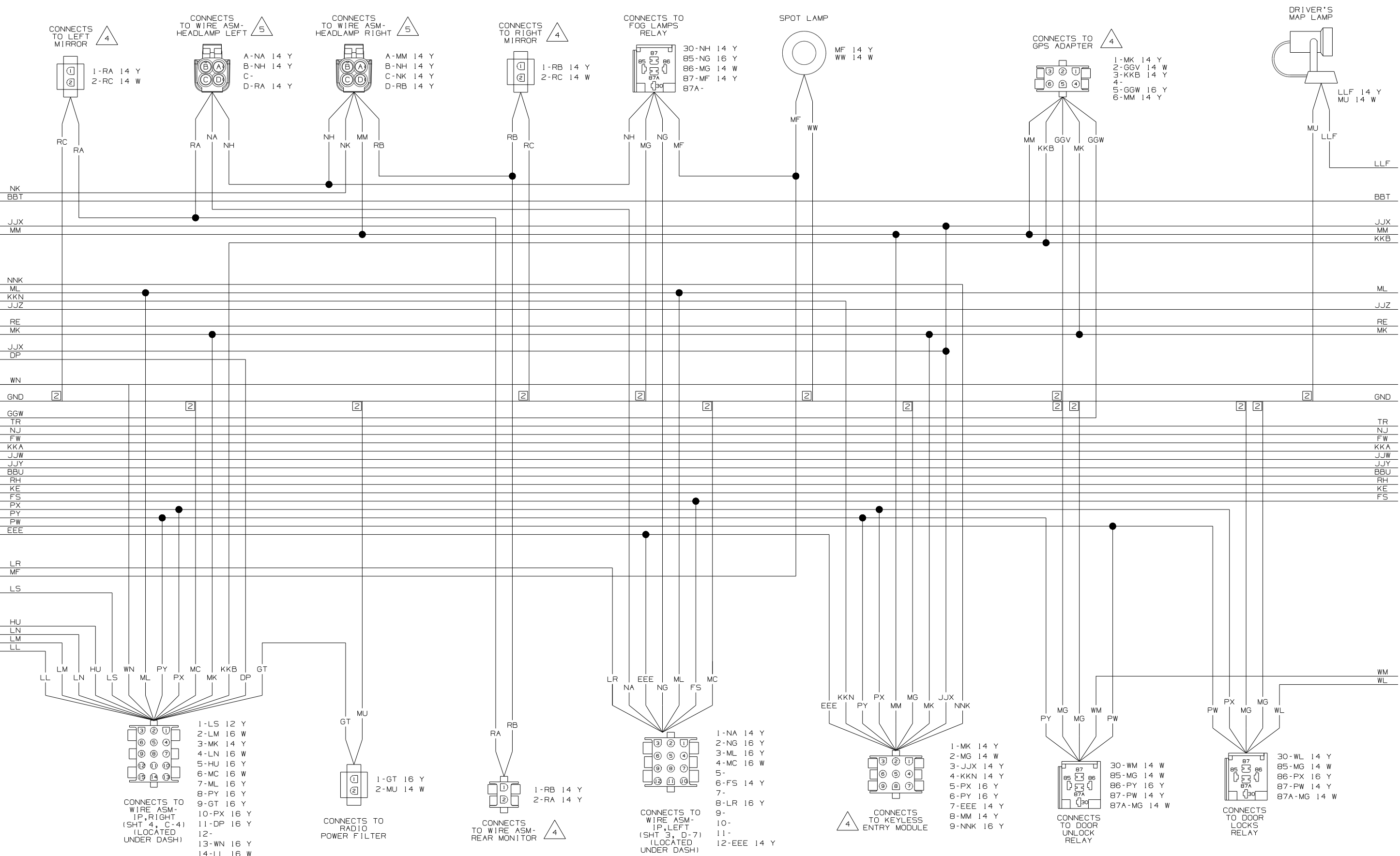
NOTES:

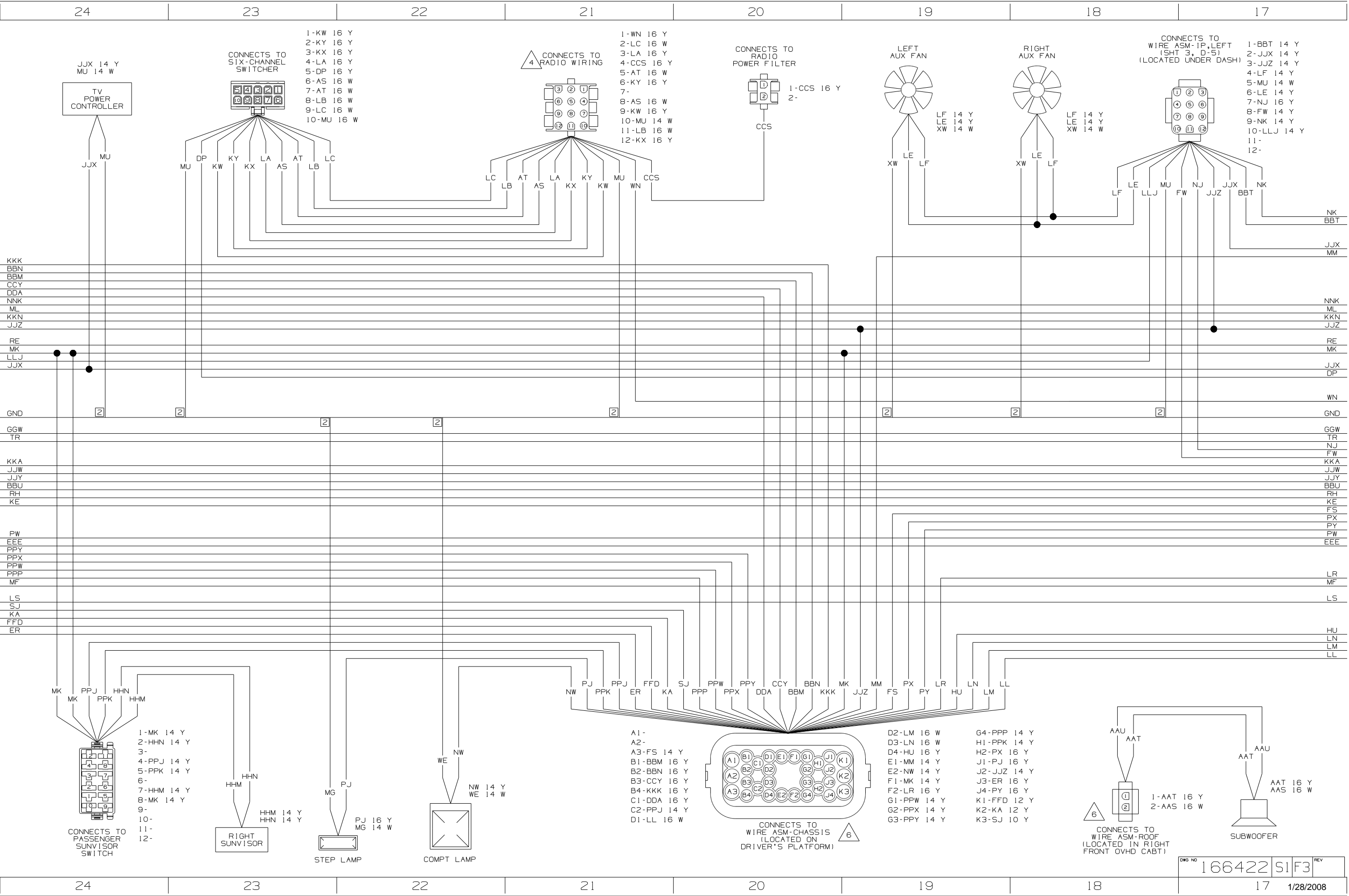
FIRST USED	09 R-SERIES	
TITLE:	DO NOT SCALE DRAWING	
	WIRING DIAGRAM-AUTO LAMPS	
SHEET 3	PART NO	166423

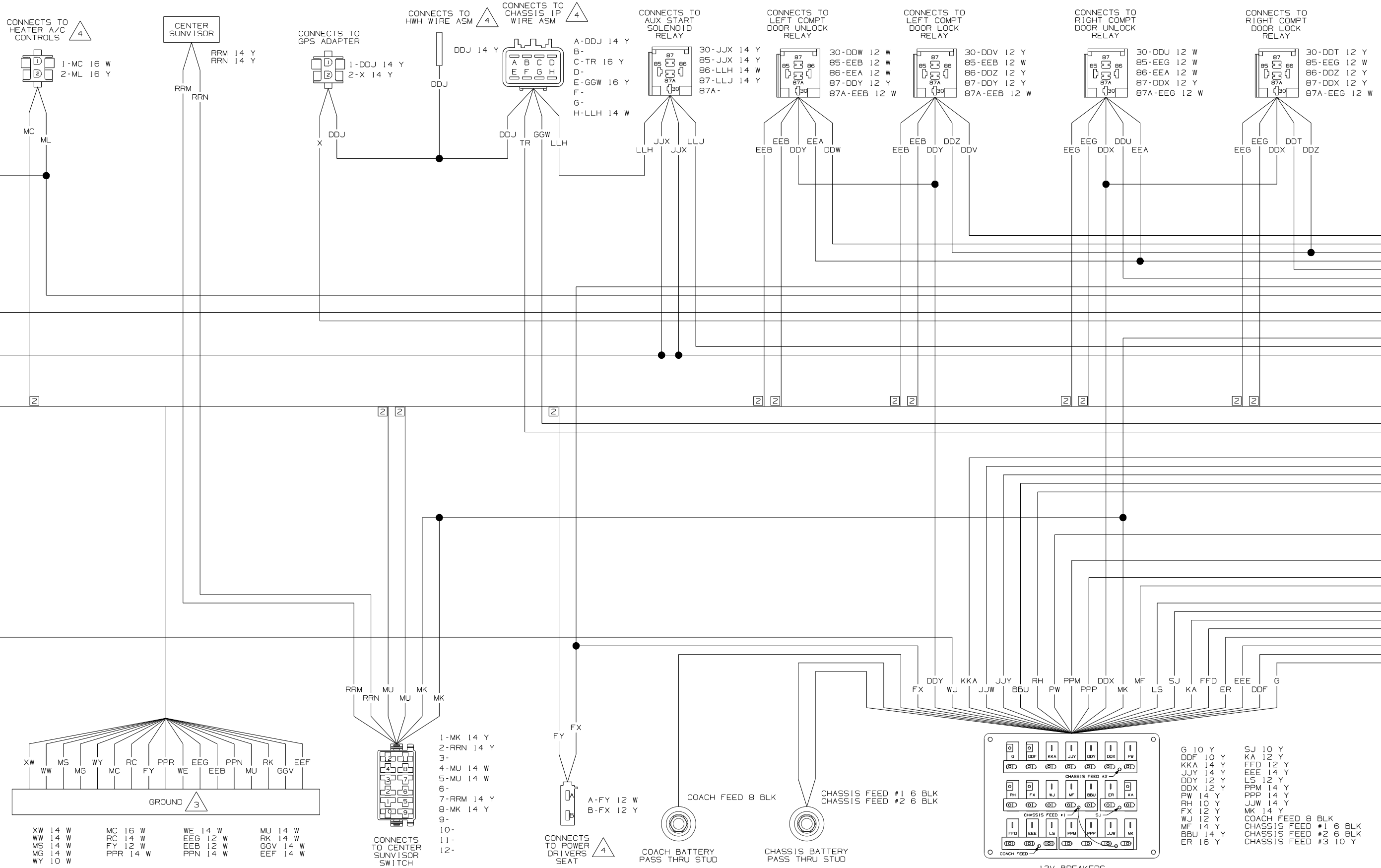


WIRING DIAGRAM-IP,MAIN,FL
(WIRE ASM 165668 REV-B)

WINNEBAGO		COPYRIGHT 2006 WINNEBAGO INDUSTRIES, INC.	
DFTR	ORIG. DATE	ALL DIMENSIONS ARE IN MILLIMETERS	
CHR		FIRST USED	
P.E.		09 R&S-SER	
M.E.		UNSPECIFIED TOLERANCES ARE:	
DSNR		MATERIAL:	
		WHOLE DIM (X)	:
		ONE-PLACE (X.X)	:
		TWO-PLACE (X.XX)	:
		ANGLE	:
		THIRD ANGLE PROJECTION	
DO NOT SCALE DRAWING			
TITLE: WIRING DIAGRAM-AUTO			
SHEET 1 of 6	PART NO	166422	REV
REF:	1	1/28/2008	

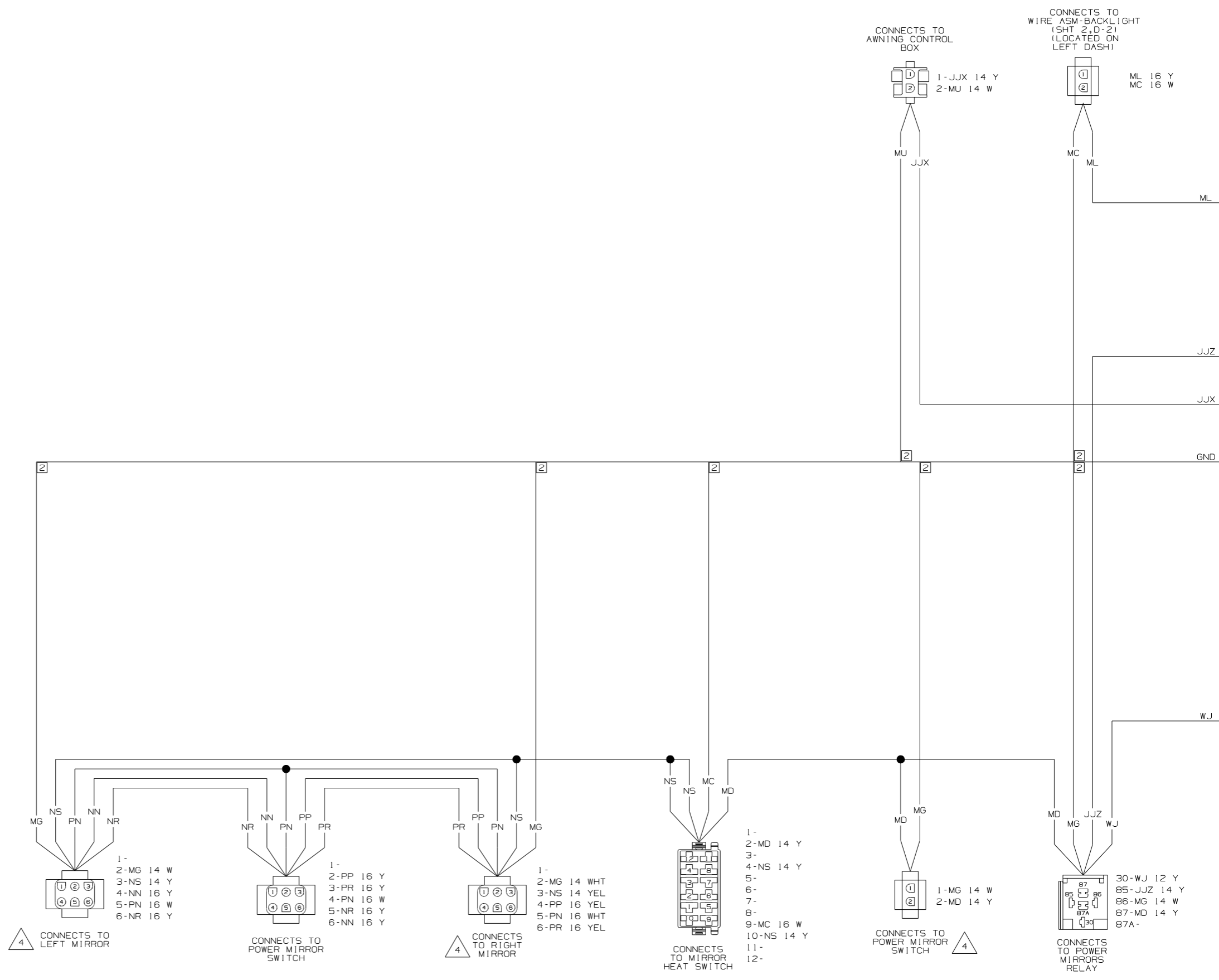


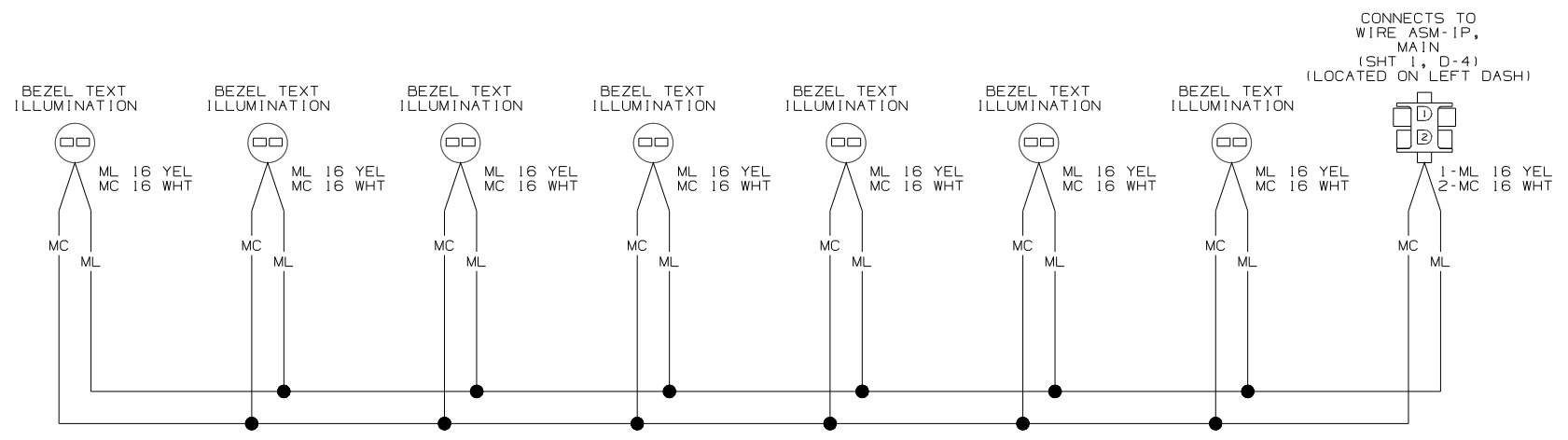




D
C
B
A

- 6 SEE WIRING DIAGRAM-BODY,12V FOR ADDITIONAL INFORMATION.
 - 5 SEE WIRING DIAGRAM-AUTO LAMPS FOR ADDITIONAL INFORMATION.
 - 4 SEE MANUFACTURERS DIAGRAM FOR ADDITIONAL INFORMATION.
 - 3 GROUNDS ARE SHOWN AS A SINGLE LINE FOR EASE IN TRACING. EACH GROUND CIRCUIT IS SEPERATE IN THE HARNESS.
 - 2 NOT A SPLICE POINT. INDICATES ENTRY INTO WIRING HARNESS.
- NOTES:
1. SPLICES ARE THEORETICAL AND MAY DIFFER IN THE HARNESS.



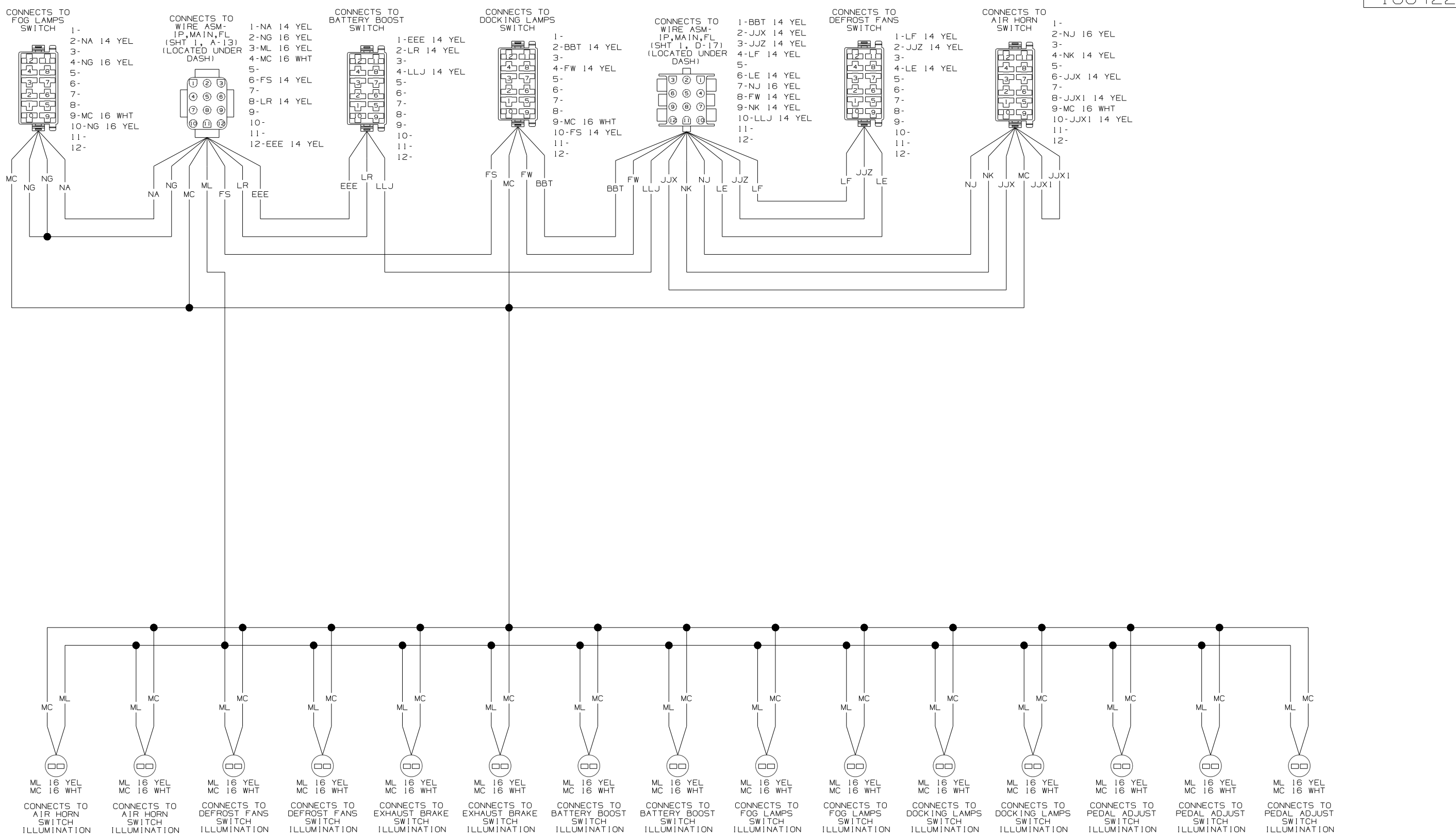


WIRING DIAGRAM-BACKLIGHT
(WIRE ASM 161572 REV-B)

1. SPLICES ARE THEORETICAL AND MAY DIFFER IN THE HARNESS.

NOTES:

FIRST USED	09 R&S-SER	
TITLE	DO NOT SCALE DRAWING	
	WIRING DIAGRAM-AUTO	
SHEET 2	PART NO 166422	REV

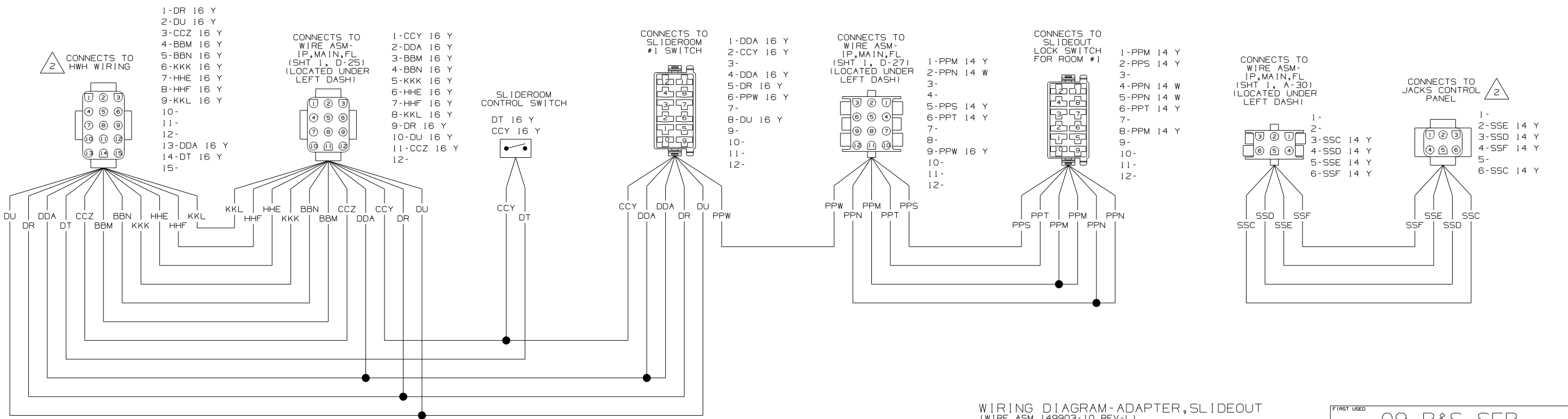
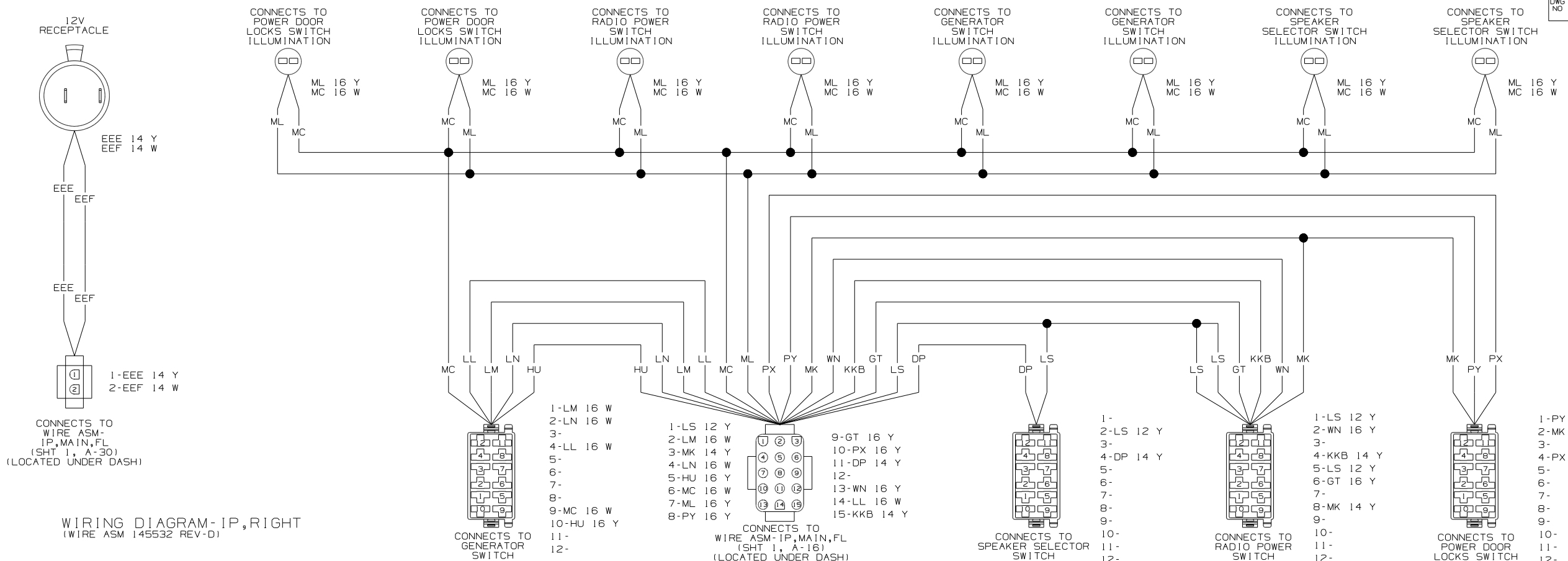


1. SPLICES ARE THEORETICAL AND MAY DIFFER IN THE HARNESS.

NOTES:

WIRING DIAGRAM-IP,LEFT (WIRE ASM 145533-07 REV-S)

FIRST USED	09 R&S-SER	
TITLE	DO NOT SCALE DRAWING	
	WIRING DIAGRAM-AUTO	
SHEET 3	PART NO	166422
	REV	

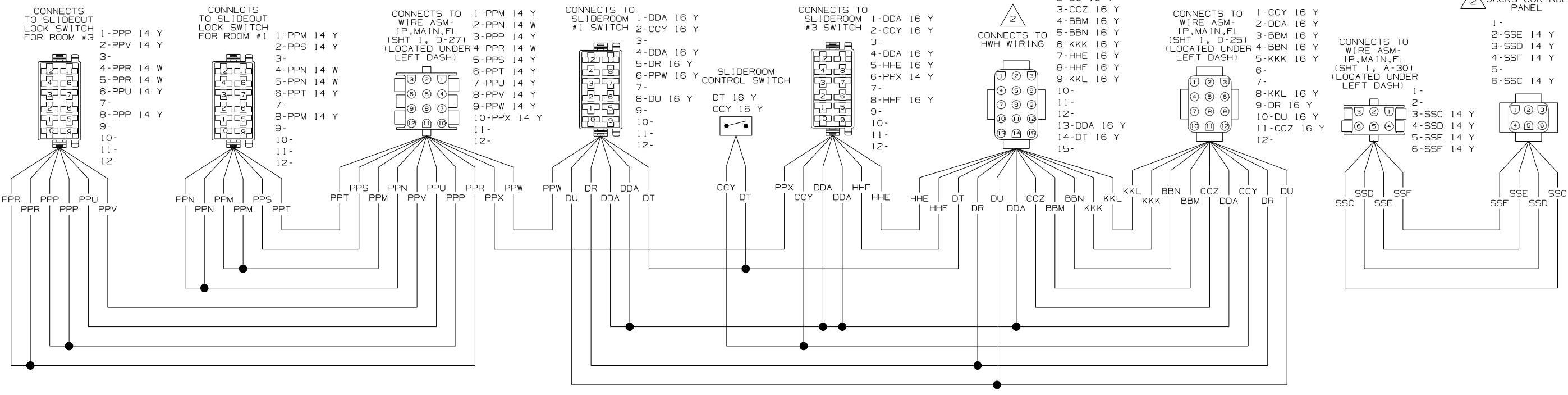


SEE MANUFACTURER'S DIAGRAM FOR ADDITIONAL INFORMATION.

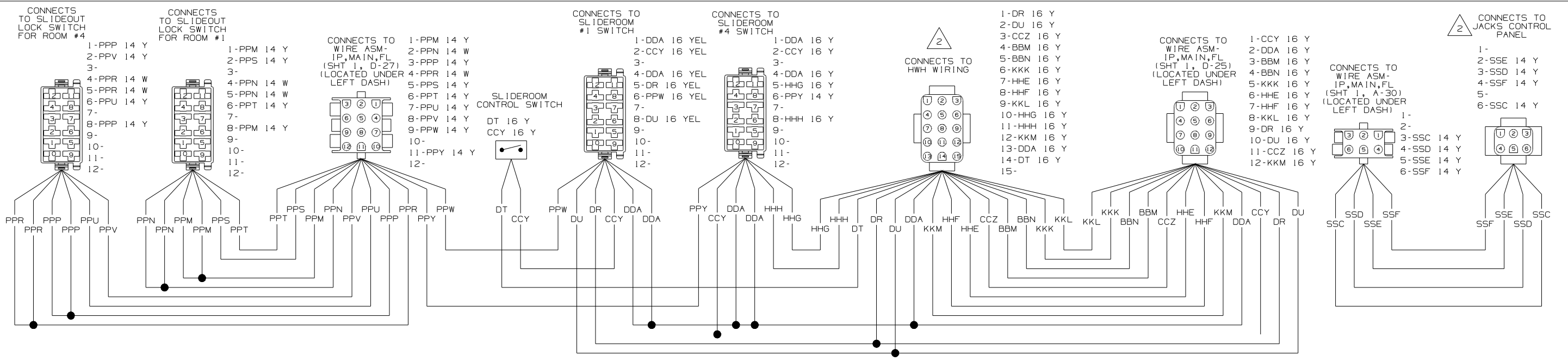
1. SPLICES ARE THEORETICAL AND MAY DIFFER IN THE HARNESS.

NOTES:

FIRST USED	09 R&S-SER		
TITLE:	DO NOT SCALE DRAWING		
	WIRING DIAGRAM-AUTO		
SHEET 4	PART NO	166422	REV



WIRING DIAGRAM-ADAPTER,SLIDEOUT (WIRE ASM 149903-11 REV-L1)



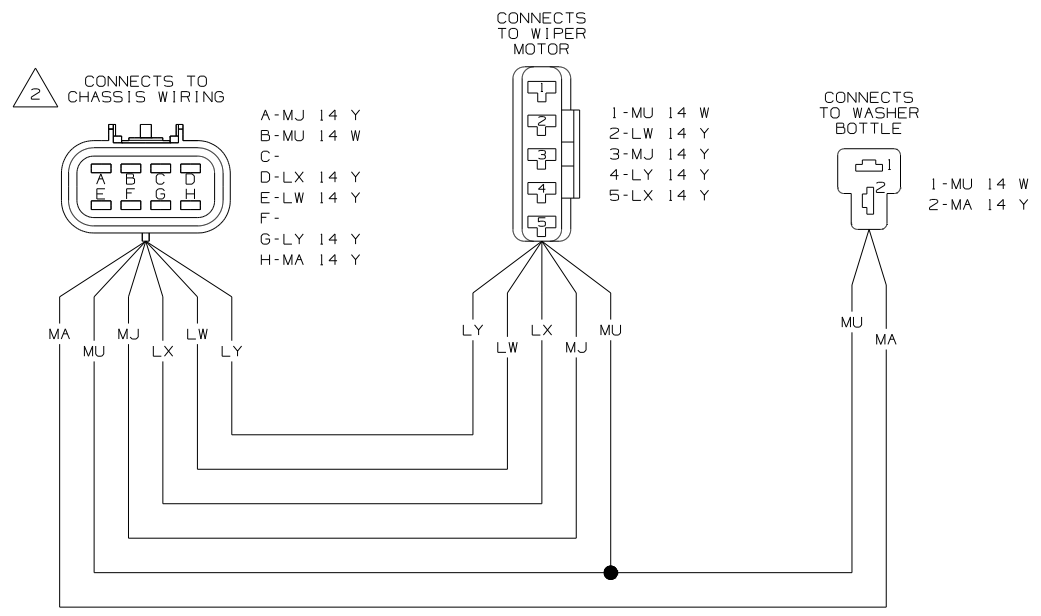
WIRING DIAGRAM-ADAPTER,SLIDEOUT (WIRE ASM 149903-12 REV-L1)

SEE MANUFACTURERS DIAGRAM FOR ADDITIONAL INFORMATION.

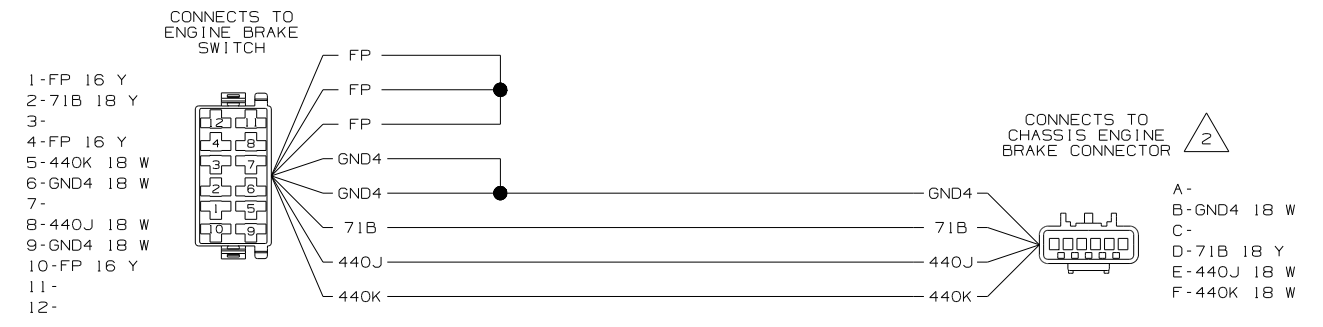
1. SPLICES ARE THEORETICAL AND MAY DIFFER IN THE HARNESS.

NOTES:

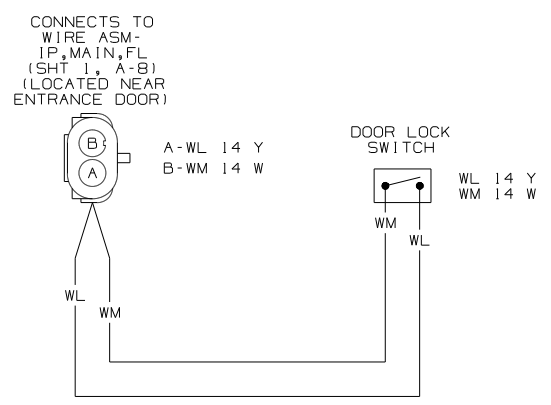
FIRST USED	09 R&S-SER	
TITLE:	DO NOT SCALE DRAWING	
	WIRING DIAGRAM-AUTO	
SHEET 5	PART NO	166422
	REV	



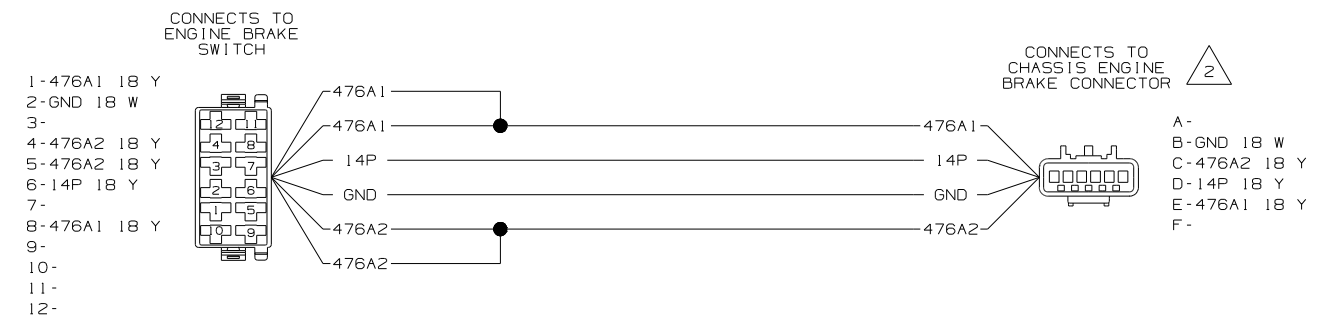
WIRING DIAGRAM-WIPER/WASHER
(WIRE ASM 149214-02 REV-G)



WIRING DIAGRAM-ENGINE BRAKE SWITCH
(WIRE ASM 157534-01 REV-E)



WIRING DIAGRAM-DOOR LOCK
(WIRE ASM 132267 REV-C)

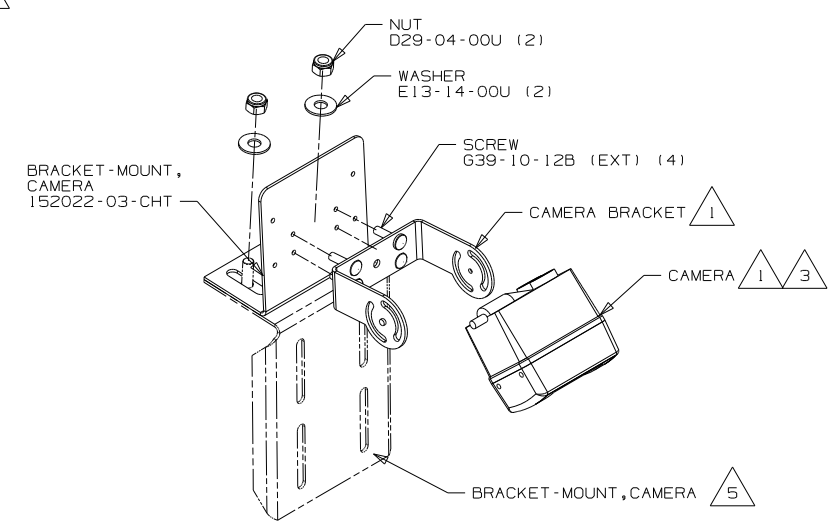
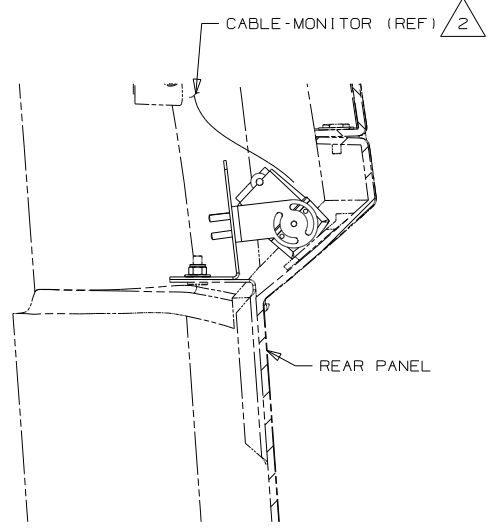
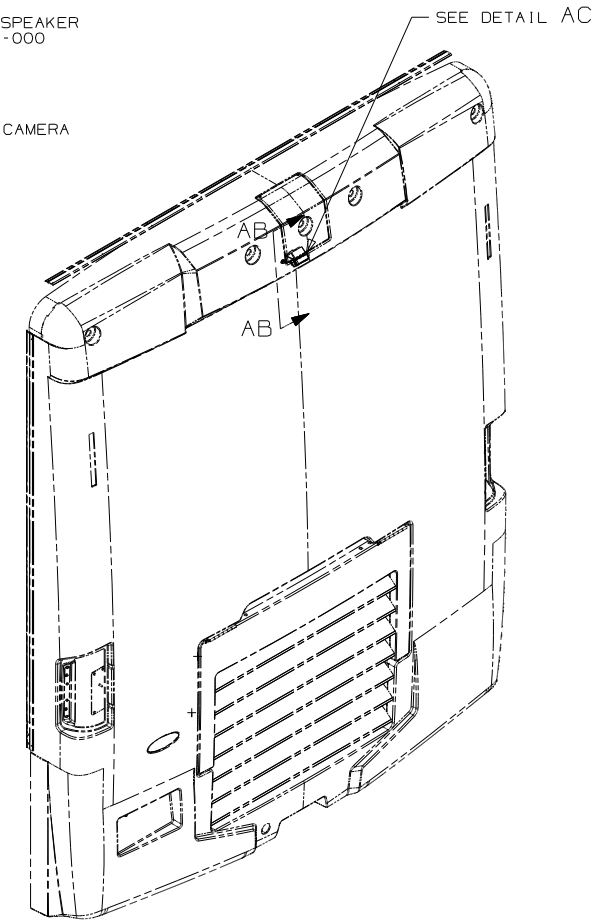
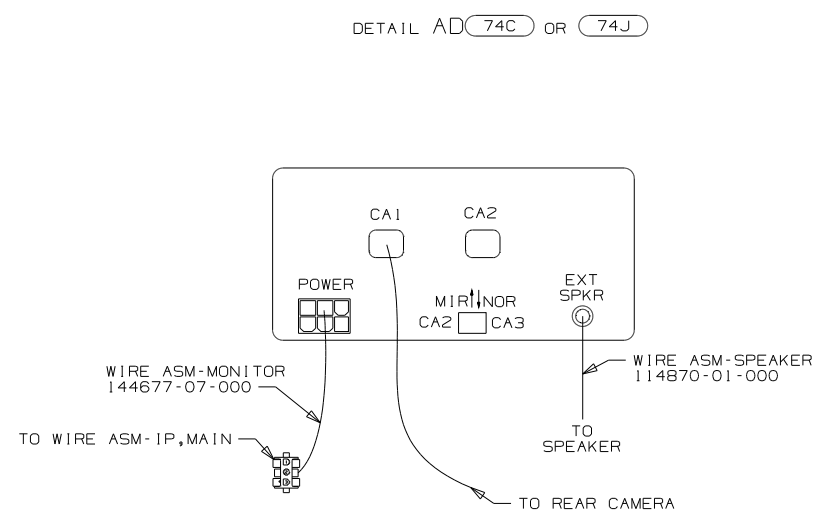
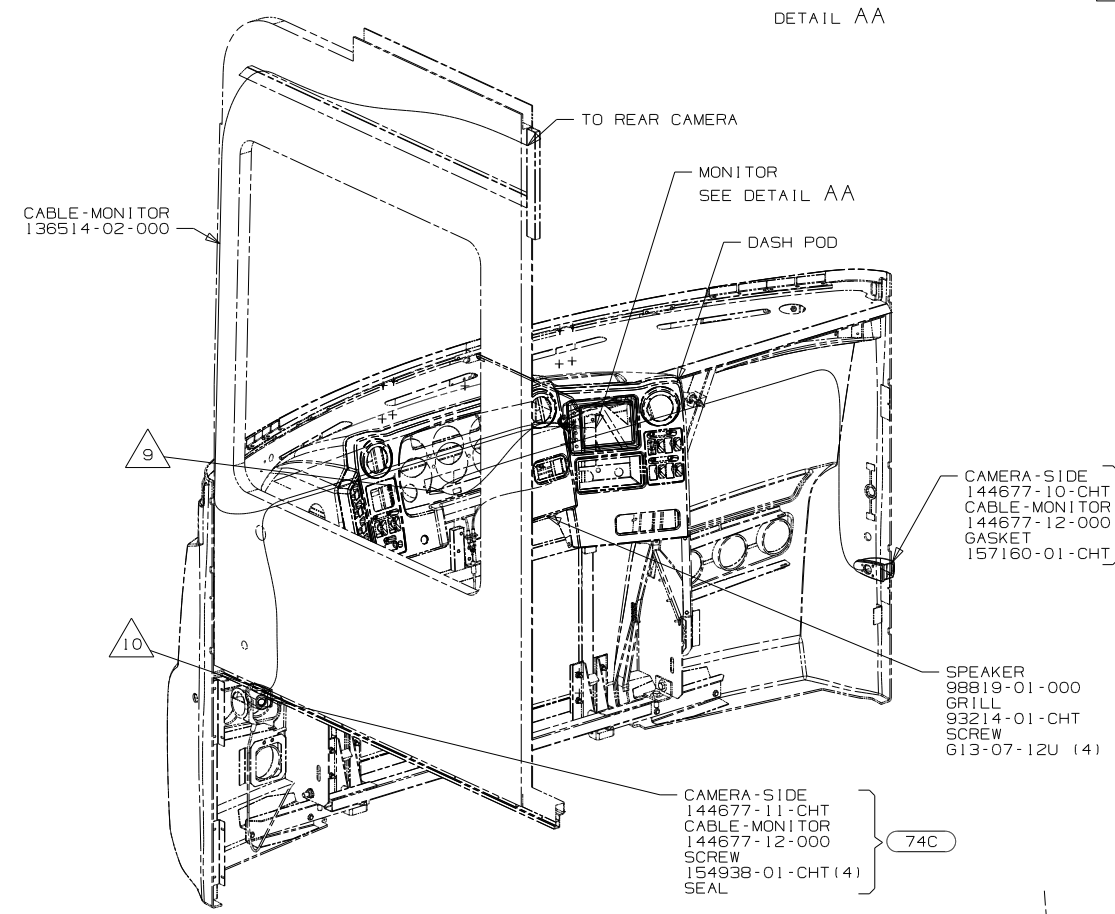
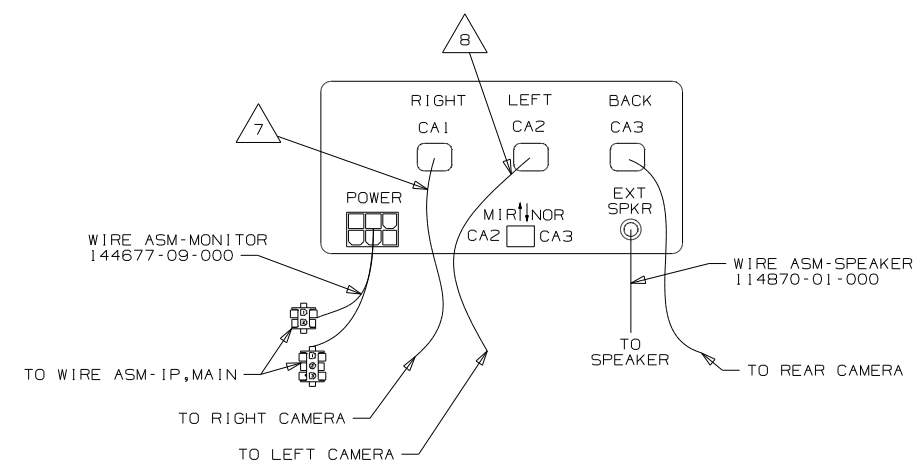
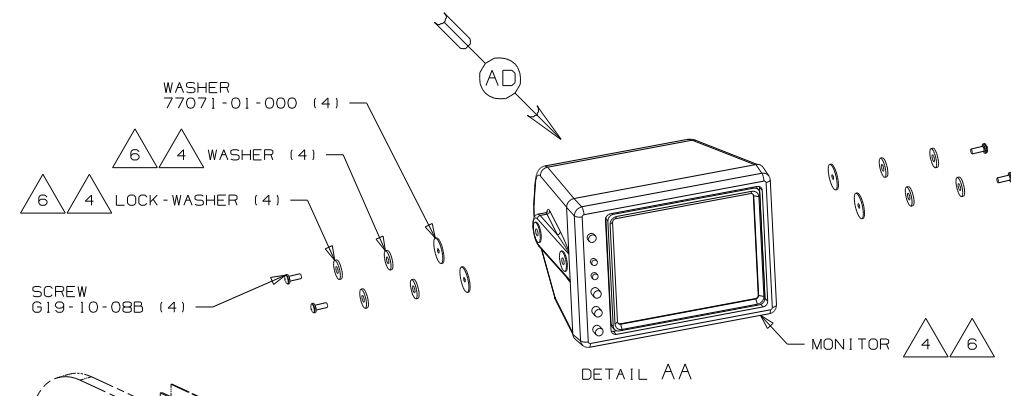


WIRING DIAGRAM-PEDAL ADJUST SWITCH
(WIRE ASM 157534-03 REV-E)

△ SEE MANUFACTURERS DIAGRAM FOR ADDITIONAL INFORMATION.
1. SPLICES ARE THEORETICAL AND MAY DIFFER IN THE HARNESS.

NOTES:

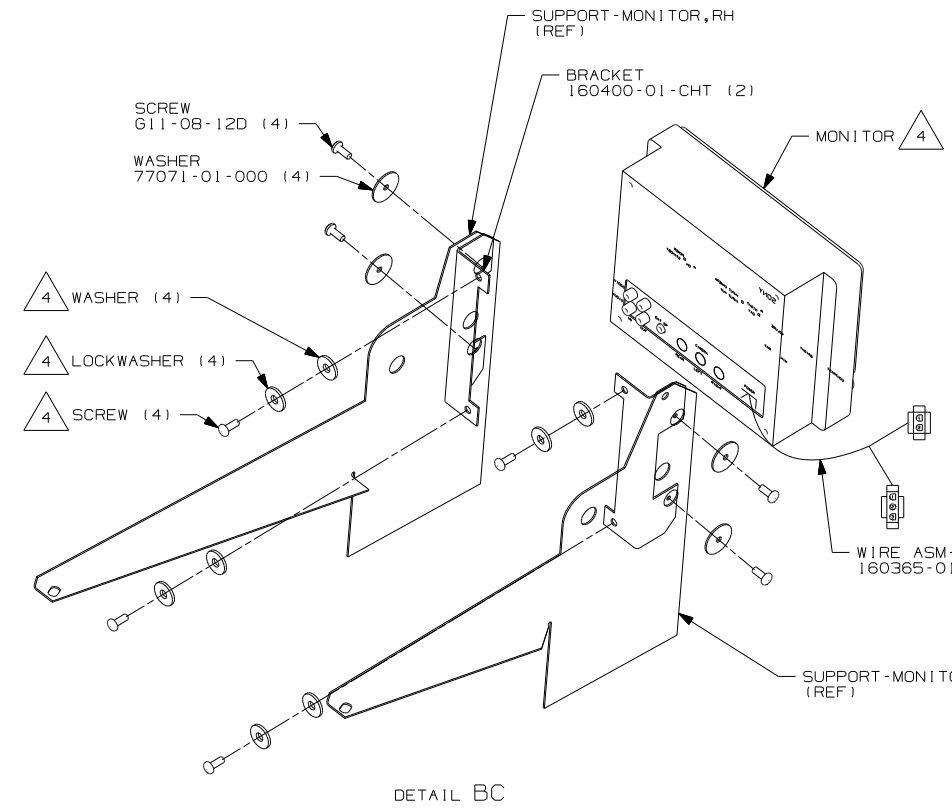
FIRST USED	09 R&S-SER	
TITLE:	DO NOT SCALE DRAWING	
	WIRING DIAGRAM-AUTO	
SHEET 6	PART NO	166422
	REV	1 1/28/2008



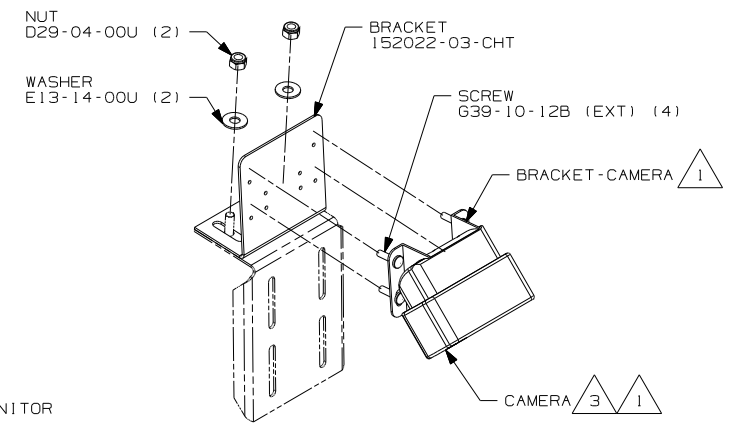
- (74C) VIDEO CAMERA SYSTEM
- (74J) REARVIEW MONITOR SYSTEM
- (265) CODES/STANDARDS-CSA/CMVSS
- (1B1) CODES/STANDARDS USA

WINNEBAGO		COPYRIGHT 2009 WINNEBAGO INDUSTRIES, INC.	
DFTR	ORIG. DATE		
CHKR	ALL DIMENSIONS ARE IN MILLIMETERS		
P.E.	FIRST USED		
M.E.	09 R-SERIES		
DSNR	UNSPECIFIED TOLERANCES ARE:	MATERIAL:	
	WHOLE DIM (X) :	1	
	ONE-PLACE (X.X) :		
	TWO-PLACE (X.XX) :		
	ANGLE :		
	THIRD ANGLE PROJECTION		
DO NOT SCALE DRAWING			
TITLE: MONITOR INSTL			
SHEET 1 of 2	PART NO	166420	REV
REF:	1 3/26/2009		

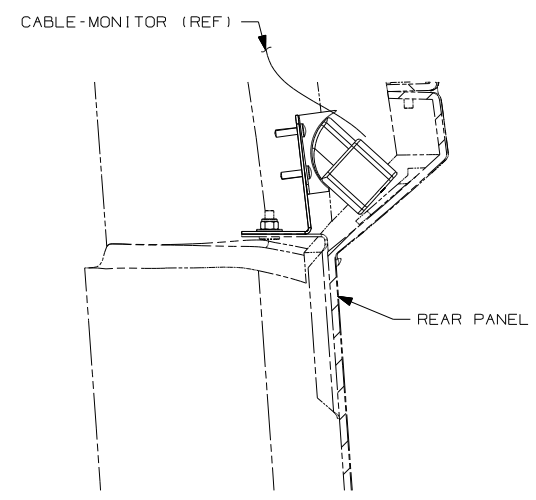
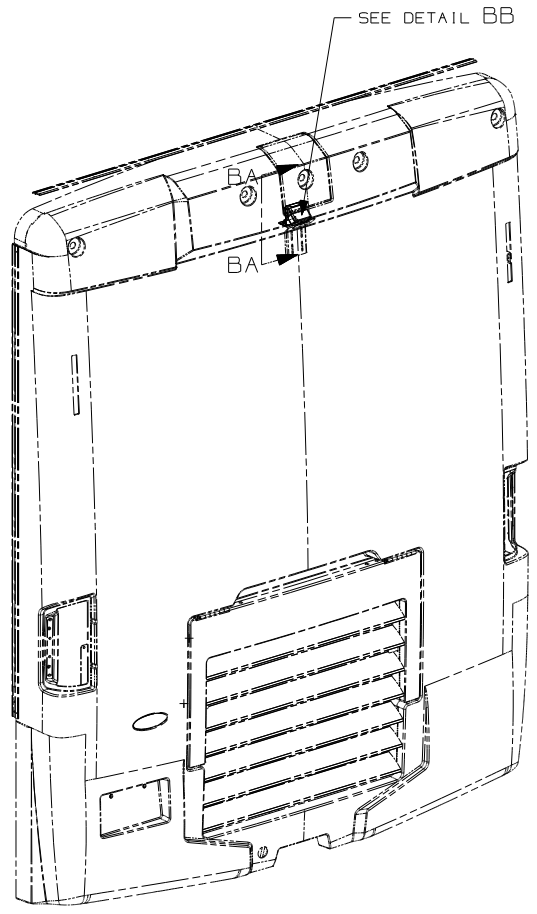
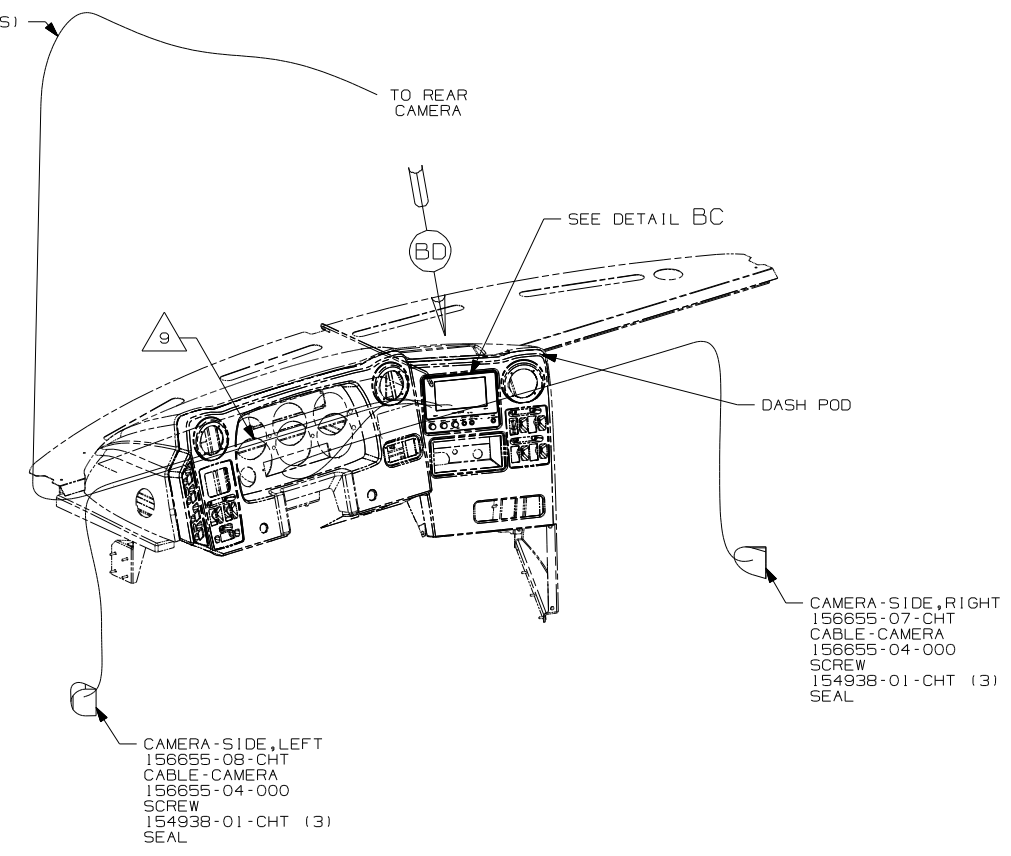
- NOTES:
- 10 CONNECT CAMERA THRU HOLE IN SIDEWALL, PUSH CONNECTOR BACK THRU SIDEWALL & SEAL HOLE.
 - 9 ROUTE CABLE TO EXTERIOR THRU HOLE IN PANEL ALONG WITH HEATER WIRING TO RIGHT CAMERA.
 - 8 MARK LEFT CABLE WITH YELLOW TAPE 900000-07-000 NEXT TO CONNECTOR.
 - 7 MARK RIGHT CABLE WITH WHITE TAPE 900000-08-000 NEXT TO CONNECTOR.
 - 6 PARTS SUPPLIED WITH MONITOR P/N 144677-08-000 (74C) & (74J).
 - 5 BRACKET IS PART OF PANEL-REAR CAP.
 - 4 PARTS SUPPLIED WITH MONITOR P/N: 144677-06-000 (74J) ONLY.
 - 3 ALIGN CAMERA IN CENTER OF SHROUD OPENING AND ADJUST SO BACKWALL IS JUST VISABLE.
 - 2 RUN CABLE THRU LEFT HAND COVE TO FRONT OF UNIT AND DOWN LEFT A-PILLAR TO MONITOR.
 - 1 PARTS SUPPLIED WITH REAR CAMERA P/N: 144677-14-CHT. (74J)



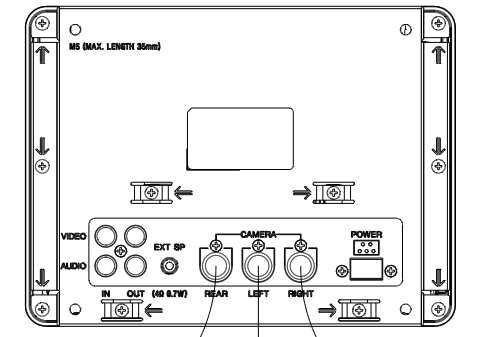
DETAIL BC



DETAIL BB



SECTION BA-BA



VIEW BD

- 9 ROUTE LEFT & REAR CAMERA CABLES UNDER DASH & TIE TO WIRE ASM-1P,MAIN.
- 8 ROUTE CABLE TO EXTERIOR THRU HOLE IN PANEL ALONG WITH HEATER WIRING TO RIGHT CAMERA.
- 7 MARK LEFT CAMERA WITH YELLOW TAPE 900000-07-000 NEXT TO CONNECTOR.
- 6 MARK RIGHT CABLE WITH WHITE TAPE 900000-08-000 NEXT TO CONNECTOR.
- 5 SEE PANEL-REAR CAP FOR LOCATION.
- 4 PARTS SUPPLIED WITH MONITOR P/N: 160313-01-000.
- 3 ALIGN CAMERA IN CENTER OF SHROUD OPENING AND ADJUST SO BACKWALL IS JUST VISIBLE.
- 2 RUN CABLE THRU LEFT HAND COVE TO FRONT OF UNIT AND DOWN LEFT A-PILLAR TO MONITOR. CONNECT TO "INPUT A" ON MONITOR.
- 1 PARTS SUPPLIED WITH REAR CAMERA P/N: 160313-03-000.

NOTES:

- 74L VIDEO CAMERA SYS W/COLOR MON
- 265 CODES/STANDARDS-CSA/CMVSS
- 1B1 CODES/STANDARDS USA

FIRST USED	
09 R-SERIES	
DO NOT SCALE DRAWING	
TITLE: MONITOR INSTL	
SHEET 2	PART NO 166420 REV

8

7

6

5

4

3

2

1

RELEASE	REV DATE	DWG NO	165714
REV ZONE	REVISION RECORD	DATE	DFTR-ORIG

R-SERIES

	R40FD	R40KD	R40TD/R40WD
CABLE ASM (YEL) FROM BATTERY TO COACH SIDE OF AUX START SOLENOID	141417-52-046	141417-52-046	141417-52-046
CABLE ASM (ORG) FROM COACH BATTERY TO INVERTER FUSE	141416-62-042	141416-62-042	141416-62-042
CABLE ASM (ORG) FROM INVERTER FUSE TO INVERTER	141416-61-035	141416-61-035	141416-61-057
CABLE ASM (BLK) FROM BATTERY TO INVERTER	133567-14-045	133567-14-045	133567-14-070
CABLE ASM (BLK) FROM COACH BATTERY TO FRAME RAIL GND	133568-11-039	133568-11-039	133568-11-039
CABLE ASM (BLK) FROM CHASSIS BATTERY TO FRAME RAIL GND	133568-11-013	133568-11-013	133568-11-013
CABLE ASM (PUR) FROM BATTERY TO CHASSIS SIDE OF AUX START SOLENOID	141417-15-030	141417-15-030	141417-15-025
CABLE ASM (BLU) FROM AUX START SOLENOID TO LEVELING SYSTEM POWER	141416-25-113	141416-25-113	141416-25-113
CABLE ASM (GRN) FROM BAT DISC RELAY TO PASS THRU STUD	141416-42-120	141416-42-120	141416-42-120
CABLE ASM (GRN) FROM PASS THRU STUD TO GENERATOR	141416-42-021	141416-42-021	141416-42-021
CABLE ASM (BLK) FROM GENERATOR TO FRAME RAIL GROUND	133566-12-020	133566-12-020	133566-12-020
CABLE ASM (RED) JUMPER BETWEEN POSITIVE POSTS ON COACH BATTERY	133568-01-003 (3)	133568-01-003 (3)	133568-01-003 (3)
CABLE ASM (BLK) JUMPER BETWEEN NEGATIVE POSTS ON COACH BATTERY	133568-11-003 (3)	133568-11-003 (3)	133568-11-003 (3)
CABLE ASM (RED) JUMPER BETWEEN POSITIVE POSTS IN LEFT FRONT COMPT	133568-01-002	133568-01-002	133568-01-002
CABLE ASM-TEMPERATURE,BATTERY	172438-03-000	172438-03-000	172438-04-000

1

2

3

2

3

S-SERIES

	S40TD/WD
CABLE ASM (YEL) FROM BATTERY TO COACH SIDE OF AUX START SOLENOID	141417-52-046
CABLE ASM (ORG) FROM COACH BATTERY TO INVERTER FUSE	141416-62-042
CABLE ASM (ORG) FROM INVERTER FUSE TO INVERTER	141416-61-057
CABLE ASM (BLK) FROM BATTERY TO INVERTER	133567-14-067
CABLE ASM (BLK) FROM COACH BATTERY TO FRAME RAIL GND	133568-11-039
CABLE ASM (BLK) FROM CHASSIS BATTERY TO FRAME RAIL GND	133568-11-013
CABLE ASM (PUR) FROM BATTERY TO CHASSIS SIDE OF AUX START SOLENOID	141417-15-025
CABLE ASM (BLU) FROM AUX START SOLENOID TO LEVELING SYSTEM POWER	141416-25-113
CABLE ASM (GRN) FROM BAT DISC RELAY TO PASS THRU STUD	141416-42-120
CABLE ASM (GRN) FROM PASS THRU STUD TO GENERATOR	141416-42-025
CABLE ASM (BLK) FROM GENERATOR TO FRAME RAIL GROUND	133566-12-012
CABLE ASM (RED) JUMPER BETWEEN POSITIVE POSTS ON COACH BATTERY	133568-01-003 (3)
CABLE ASM (BLK) JUMPER BETWEEN NEGATIVE POSTS ON COACH BATTERY	133568-11-003 (3)
CABLE ASM (RED) JUMPER BETWEEN POSITIVE POSTS IN LEFT FRONT COMPT	133568-01-002
CABLE ASM-TEMPERATURE,BATTERY	172438-04-000

1

2

3

2

3

265 CODES/STANDARDS-CSA/CMVSS

1B1 CODES/STANDARDS USA

1B1 265



COPYRIGHT 2008 WINNEBAGO INDUSTRIES, INC.

DFTR	ORIG. DATE
CHKR	ALL DIMENSIONS ARE IN MILLIMETERS
P.E.	
M.E.	FIRST USED
DSNR	09 R&S-SERIES
UNSPECIFIED TOLERANCES ARE:	MATERIAL:
HOLE DIM (X)	: 3
ONE-PLACE (X.X)	: 1.5
TWO-PLACE (X.XX)	: 0.50
ANGLE	: 1°
THIRD ANGLE PROJECTION	

DO NOT SCALE DRAWING

TITLE:	BATTERY INSTL
SHEET 1 of 4	PART NO 165714

FOR ELECTRICAL TORQUE SPECIFICATIONS SEE DWG NO. 128783-01-000

FOR ELECTRICAL CALLOUTS SEE DWG NO. 121339-01-000

- 3 SEE WIRING INSTL-FRONT END FOR ADDITIONAL INFORMATION.
- 2 SEE WIRING INSTL-CHASSIS FOR ADDITIONAL INFORMATION.
- 1 SEE LEVELING SYSTEM INSTL FOR ADDITIONAL INFORMATION.

NOTES:

8

7

6

5

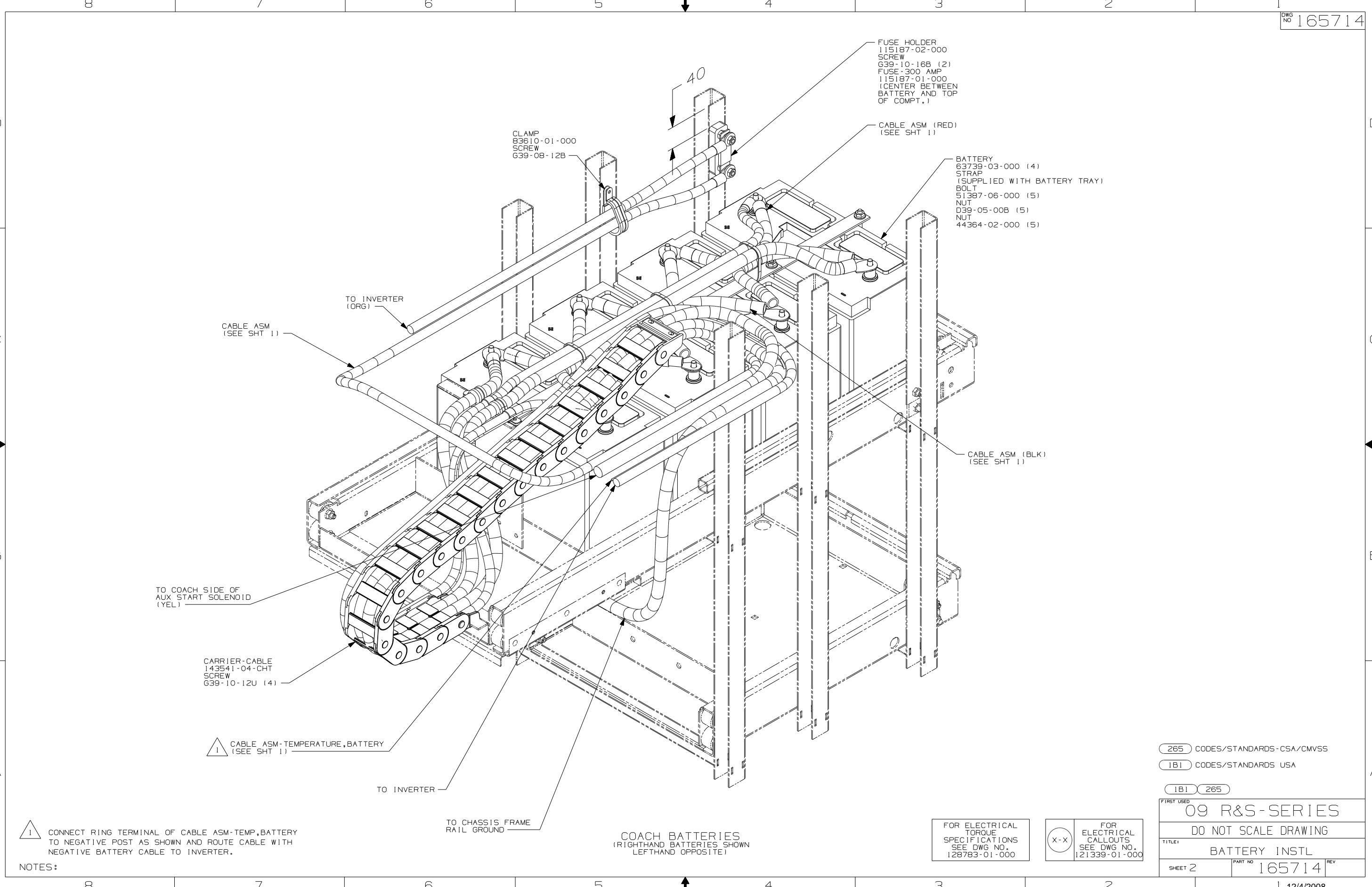
4

3

2

1

REF: 1 12/4/2008



FUSE HOLDER
115187-02-000
SCREW
G39-10-16B (2)
FUSE-300 AMP
115187-01-000
(CENTER BETWEEN
BATTERY AND TOP
OF COMPT.)

CLAMP
83610-01-000
SCREW
G39-08-12B

BATTERY
63739-03-000 (4)
STRAP
(SUPPLIED WITH BATTERY TRAY)
BOLT
51387-06-000 (5)
NUT
D39-05-00B (5)
NUT
44364-02-000 (5)

CABLE ASM (RED)
(SEE SHT 1)

CABLE ASM
(SEE SHT 1)

TO INVERTER
(ORG)

CABLE ASM (BLK)
(SEE SHT 1)

TO COACH SIDE OF
AUX START SOLENOID
(YEL)

CARRIER-CABLE
143541-04-CHT
SCREW
G39-10-12U (4)

1 CABLE ASM-TEMPERATURE, BATTERY
(SEE SHT 1)

TO INVERTER

TO CHASSIS FRAME
RAIL GROUND

COACH BATTERIES
(RIGHTHAND BATTERIES SHOWN
LEFTHAND OPPOSITE)

FOR ELECTRICAL
TORQUE
SPECIFICATIONS
SEE DWG NO.
128783-01-000

X-X
FOR
ELECTRICAL
CALLOUTS
SEE DWG NO.
121339-01-000

265 CODES/STANDARDS-CSA/CMVSS

1B1 CODES/STANDARDS USA

1B1 265

FIRST USED
09 R&S-SERIES

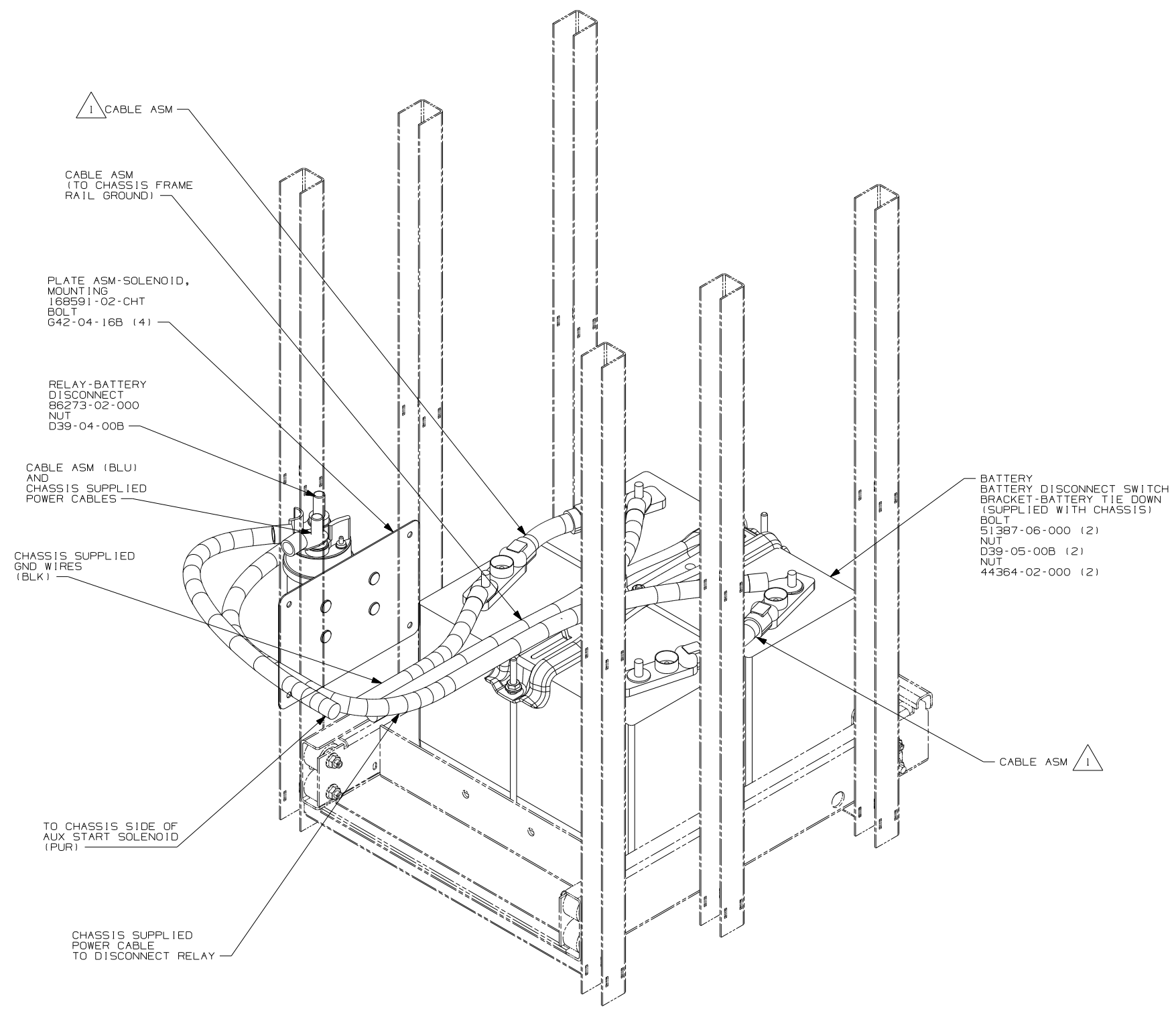
DO NOT SCALE DRAWING

TITLE:
BATTERY INSTL

SHEET 2 PART NO 165714 REV

1 CONNECT RING TERMINAL OF CABLE ASM-TEMP, BATTERY TO NEGATIVE POST AS SHOWN AND ROUTE CABLE WITH NEGATIVE BATTERY CABLE TO INVERTER.

NOTES:



1 CABLE ASM

CABLE ASM
(TO CHASSIS FRAME
RAIL GROUND)

PLATE ASM-SOLENOID,
MOUNTING
188591-02-CHT
BOLT
G42-04-16B (4)

RELAY-BATTERY
DISCONNECT
86273-02-000
NUT
D39-04-00B

CABLE ASM (BLU)
AND
CHASSIS SUPPLIED
POWER CABLES

CHASSIS SUPPLIED
GND WIRES
(BLK)

TO CHASSIS SIDE OF
AUX START SOLENOID
(PUR)

CHASSIS SUPPLIED
POWER CABLE
TO DISCONNECT RELAY

BATTERY
DISCONNECT SWITCH
BRACKET-BATTERY TIE DOWN
(SUPPLIED WITH CHASSIS)
BOLT
51387-06-000 (2)
NUT
D39-05-00B (2)
NUT
44364-02-000 (2)

CABLE ASM 1

CHASSIS BATTERIES
(RIGHTHAND BATTERIES SHOWN
LEFTHAND OPPOSITE)

265 CODES/STANDARDS-CSA/CMVSS

1B1 CODES/STANDARDS USA

1B1 265

FIRST USED
09 R&S-SERIES

DO NOT SCALE DRAWING

TITLE:
BATTERY INSTL

SHEET 3 PART NO 165714 REV

12/4/2008

FOR ELECTRICAL
TORQUE
SPECIFICATIONS
SEE DWG NO.
128783-01-000

X-X
FOR
ELECTRICAL
CALLOUTS
SEE DWG NO.
121339-01-000

NOTES:
1 SUPPLIED WITH CHASSIS.

FUSE HOLDER AND FUSE (REF)

CABLE ASM (YEL) (REF)

TO INVERTER (REF)

2 CLAMP 10497-01-000 (2) SCREW 639-10-12U (2)

CLAMP 10497-12-000 (2) SCREW 639-10-12U (2)

TO INVERTER (REF)

TO CHASSIS FRAME GROUND (REF)

2 ALLOW 775MM OF 1/0 ORG & 3/0 BLK CABLES AND 200MM OF 3/0 YEL & 1/0 BLK CABLES AFTER CLAMPING TO CONNECT BATTERIES.
1 ROUTE CABLES SO BATTERY CAPS CAN BE REMOVED FOR SERVICE. USE WIRE TIE 008343-02-000 AS SHOWN AND AS NEEDED.

COACH BATTERIES (TOP VIEW) (RIGHTHAND BATTERIES SHOWN LEFTHAND OPPOSITE)

FOR ELECTRICAL TORQUE SPECIFICATIONS SEE DWG NO. 128783-01-000

X-X FOR ELECTRICAL CALLOUTS SEE DWG NO. 121339-01-000

265 CODES/STANDARDS -CSA/CMVSS

1B1 CODES/STANDARDS USA

1B1 265

FIRST USED 09 R&S-SERIES

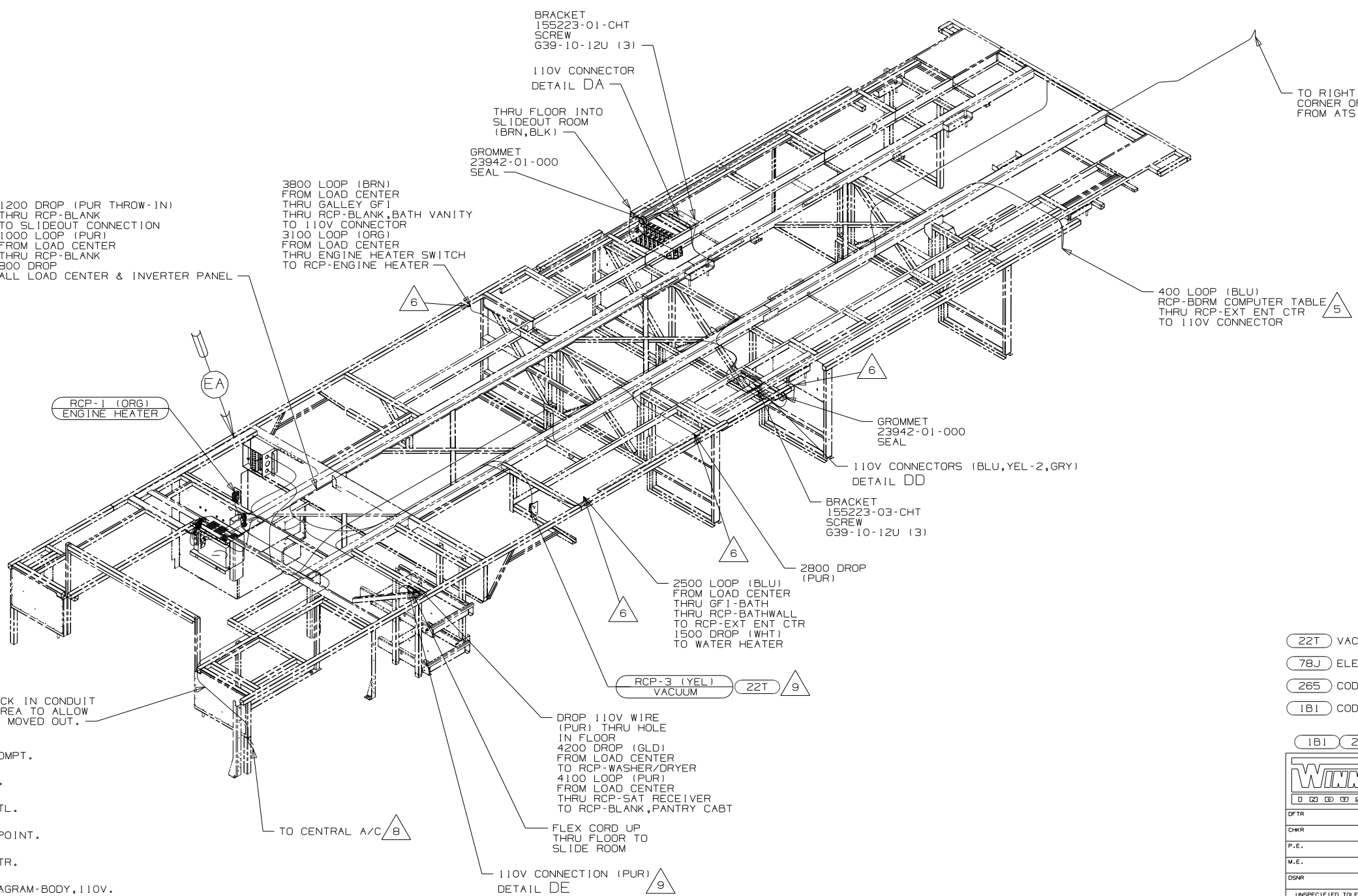
DO NOT SCALE DRAWING

TITLE: BATTERY INSTL

SHEET 4 PART NO 165714 REV

DRAWING NO.	FEATURE
166774-01	-----
166774-14	(1B1) (78J) (13X)
166774-18	(265) (78J) (13X)

RELEASE	REV/DATE	DWG NO
A		166774
REV ZONE	REVISION RECORD	DATE



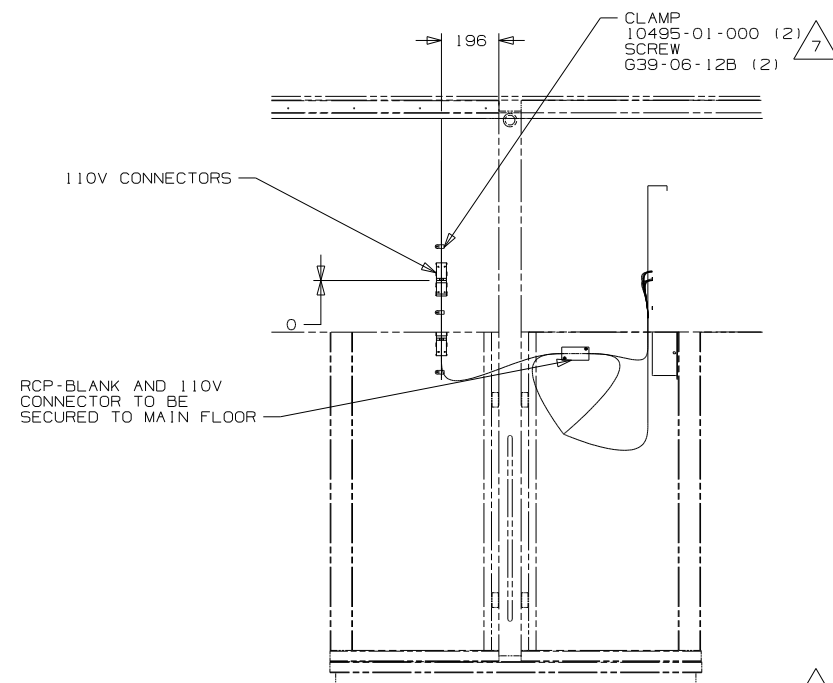
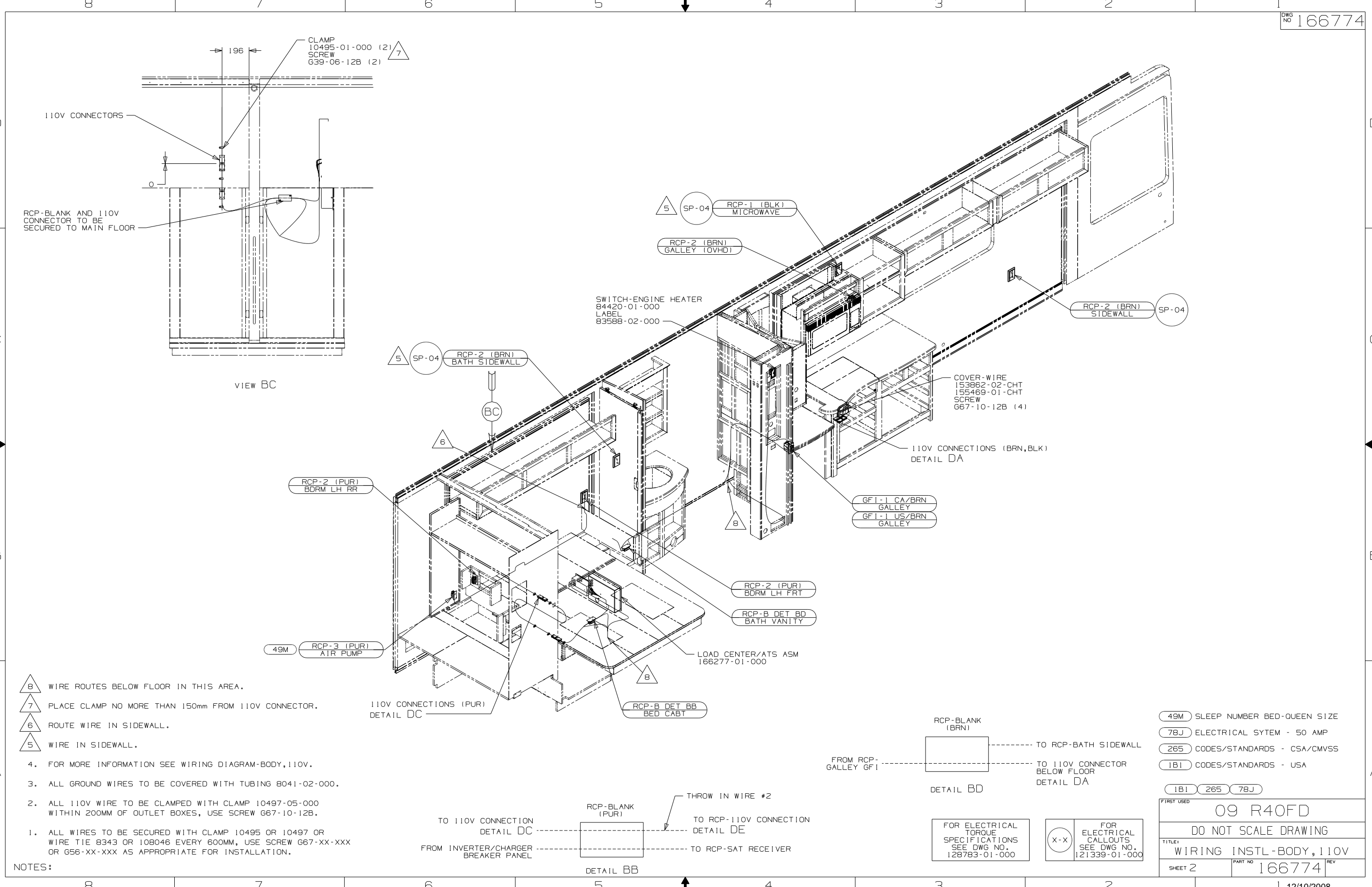
- 9 MOUNT 110V CONNECTORS TO SIDE OF COMPT.
- 8 FOR MORE INFORMATION SEE A/C INSTL.
- 7 FOR MORE INFORMATION, SEE GEN. INSTL.
- 6 WIRE PASSES THROUGH FLOOR AT THIS POINT.
- 5 FOR MORE INFORMATION SEE EXT ENT CTR.
4. FOR MORE INFORMATION SEE WIRING DIAGRAM-BODY, 110V.
3. ALL GROUND WIRE TO BE COVERED WITH TUBING 8041-02-000.
2. ALL 110V WIRE TO BE CLAMPED WITH CLAMP 10497-05-000 WITHIN 200MM OF OUTLET BOXES, USE SCREW G67-10-12B.
1. ALL WIRES TO BE SECURED WITH CLAMP 10495 OR 10497 OR WIRE TIE 8343 OR 108046 EVERY 600MM, USE SCREW G67-XX-XXX OR G56-XX-XXX AS APPROPRIATE FOR INSTALLATION.

- (22T) VACUUM SYSTEM-CENTRAL
- (78J) ELECTRICAL SYSTEM - 50 AMP
- (265) CODES/STANDARDS - CSA/CMVSS
- (1B1) CODES/STANDARDS - USA
- (1B1) (265) (78J)

		COPYRIGHT 2008 WINNEBAGO INDUSTRIES, INC.
DFT	ORIG. DATE	
CHKR	ALL DIMENSIONS ARE IN MILLIMETERS	
P.E.		
M.E.	FIRST USED	
DSNR		09 R40FD
UNSPECIFIED TOLERANCES ARE:	MATERIAL:	
WHOLE DIM (X)	: 3	
ONE-PLACE (X.X)	: 1.5	
TWO-PLACE (X.XX)	: 0.50	
ANGLE	: 1°	
THIRD ANGLE PROJECTION		

FOR ELECTRICAL TORQUE SPECIFICATIONS SEE DWG NO. 128783-01-000

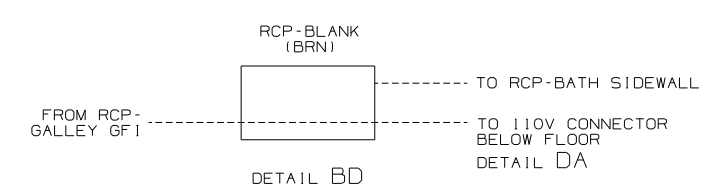
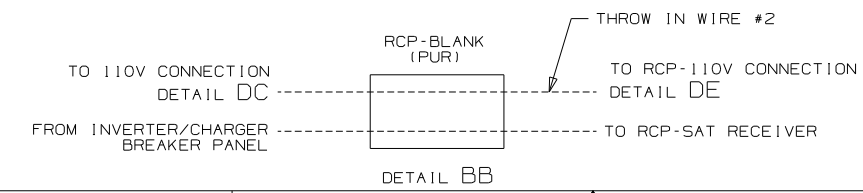
(X-X) FOR ELECTRICAL CALLOUTS SEE DWG NO. 121339-01-000



VIEW BC

- NOTES:
- 1. ALL WIRES TO BE SECURED WITH CLAMP 10495 OR 10497 OR WIRE TIE 8343 OR 108046 EVERY 600MM, USE SCREW G67-XX-XXX OR G56-XX-XXX AS APPROPRIATE FOR INSTALLATION.
 - 2. ALL 110V WIRE TO BE CLAMPED WITH CLAMP 10497-05-000 WITHIN 200MM OF OUTLET BOXES, USE SCREW G67-10-12B.
 - 3. ALL GROUND WIRES TO BE COVERED WITH TUBING 8041-02-000.
 - 4. FOR MORE INFORMATION SEE WIRING DIAGRAM-BODY,110V.

- 8 WIRE ROUTES BELOW FLOOR IN THIS AREA.
- 7 PLACE CLAMP NO MORE THAN 150mm FROM 110V CONNECTOR.
- 6 ROUTE WIRE IN SIDEWALL.
- 5 WIRE IN SIDEWALL.

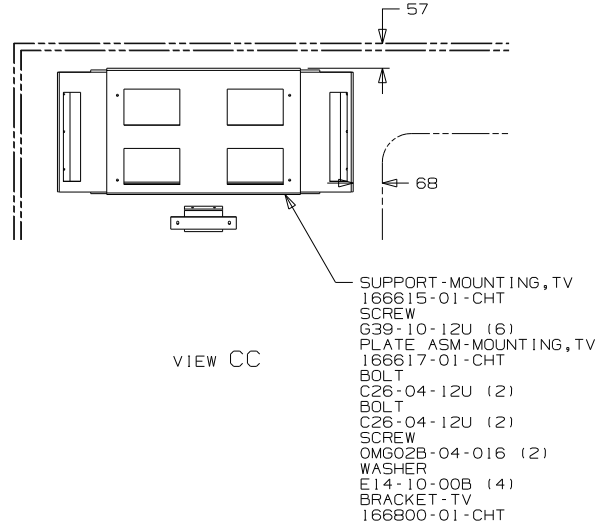
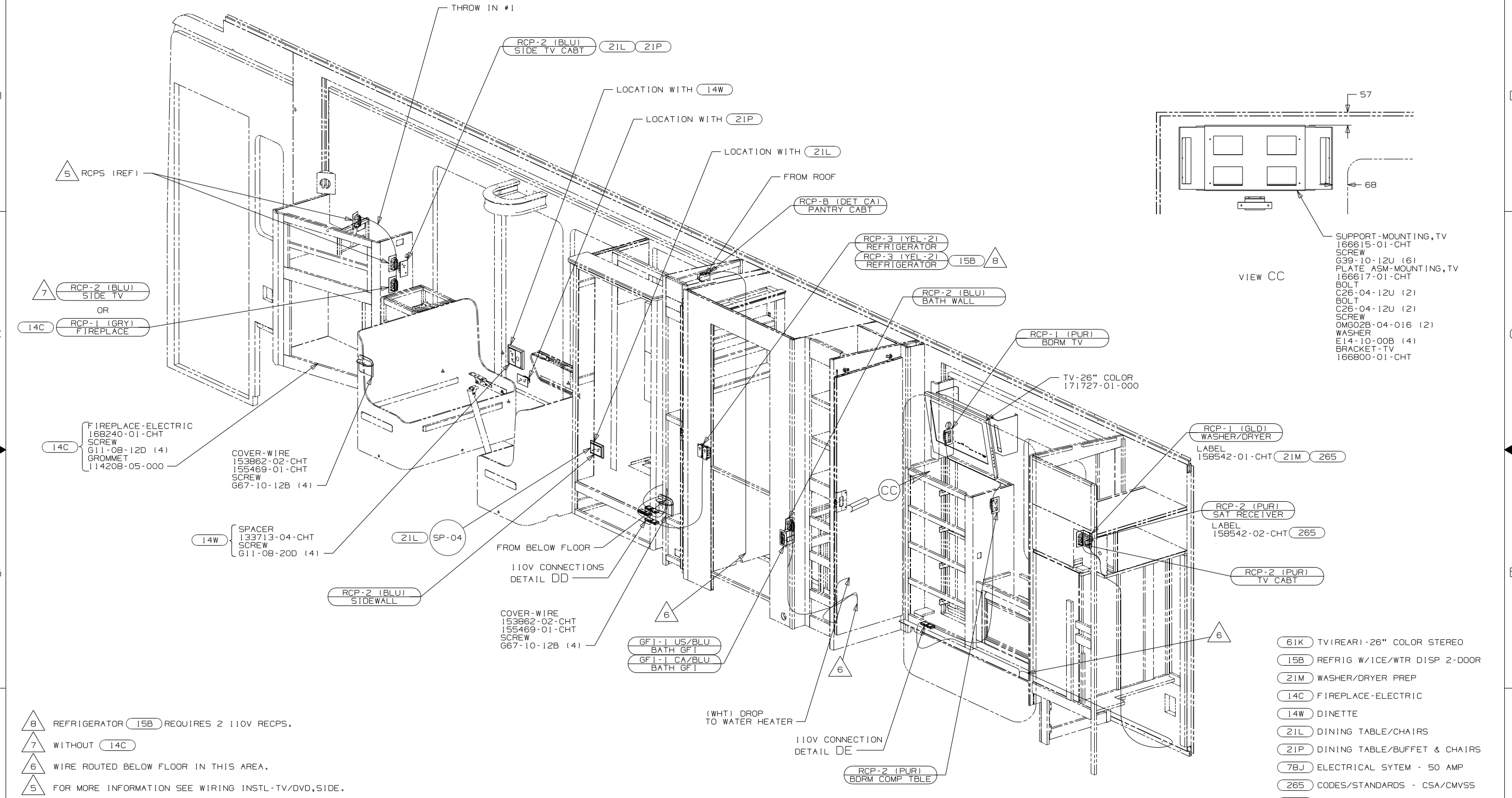


FOR ELECTRICAL TORQUE SPECIFICATIONS SEE DWG NO. 128783-01-000

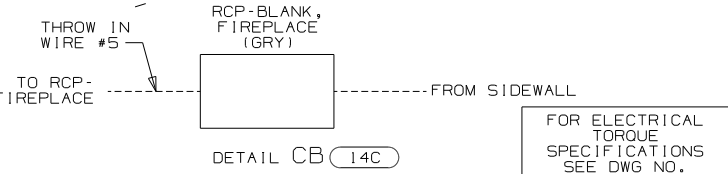
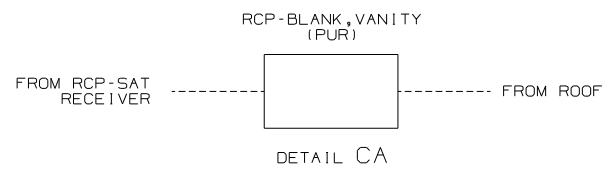
FOR ELECTRICAL CALLOUTS SEE DWG NO. 121339-01-000

- 49M SLEEP NUMBER BED-QUEEN SIZE
- 78J ELECTRICAL SYTEM - 50 AMP
- 265 CODES/STANDARDS - CSA/CMVSS
- 1B1 CODES/STANDARDS - USA

FIRST USED	
09 R40FD	
DO NOT SCALE DRAWING	
TITLE: WIRING INSTL-BODY, 110V	
SHEET 2	PART NO 166774



- NOTES:
- 1. ALL WIRES TO BE SECURED WITH CLAMP 10495 OR 10497 OR WIRE TIE 8343 OR 108046 EVERY 600MM, USE SCREW G67-XX-XXX OR G56-XX-XXX AS APPROPRIATE FOR INSTALLATION.
 - 2. ALL 110V WIRE TO BE CLAMPED WITH CLAMP 10497-05-000 WITHIN 200MM OF OUTLET BOXES, USE SCREW G67-10-12B.
 - 3. ALL GROUND WIRES TO BE COVERED WITH TUBING 8041-02-000.
 - 4. FOR MORE INFORMATION SEE WIRING DIAGRAM-BODY, 110V.

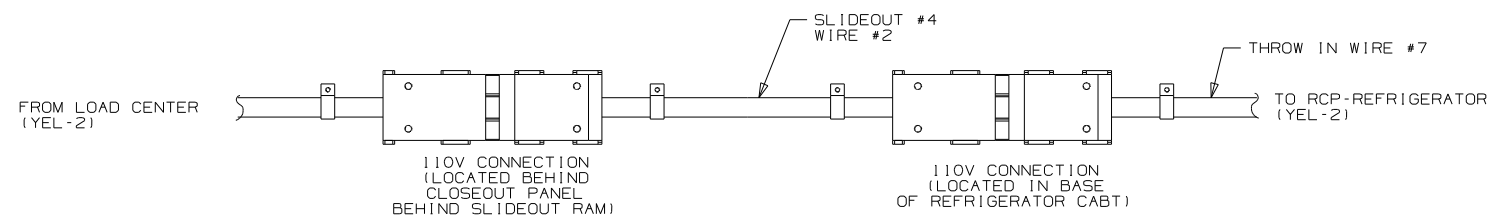
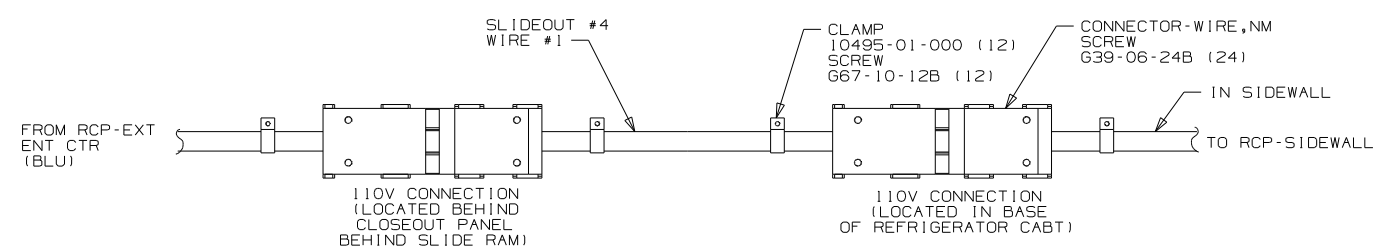


FOR ELECTRICAL TORQUE SPECIFICATIONS SEE DWG NO. 128783-01-000

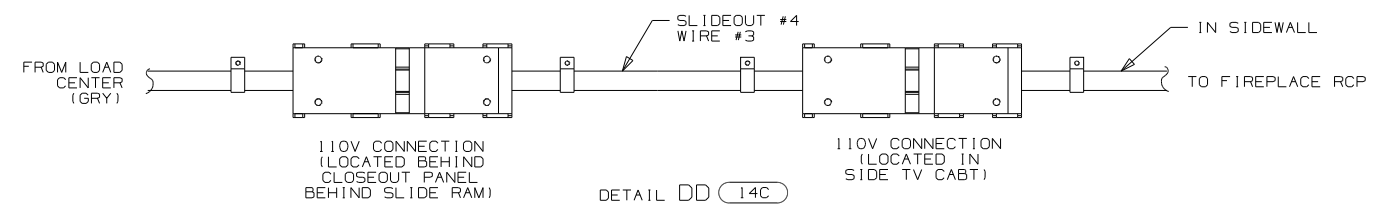
FOR ELECTRICAL CALLOUTS SEE DWG NO. 121339-01-000

- 61K TV (REAR)-26" COLOR STEREO
- 15B REFRIG W/ICE/WTR DISP 2-DOOR
- 21M WASHER/DRYER PREP
- 14C FIREPLACE-ELECTRIC
- 14W DINETTE
- 21L DINING TABLE/CHAIRS
- 21P DINING TABLE/BUFFET & CHAIRS
- 78J ELECTRICAL SYTEM - 50 AMP
- 265 CODES/STANDARDS - CSA/CMVSS
- 1B1 CODES/STANDARDS - USA

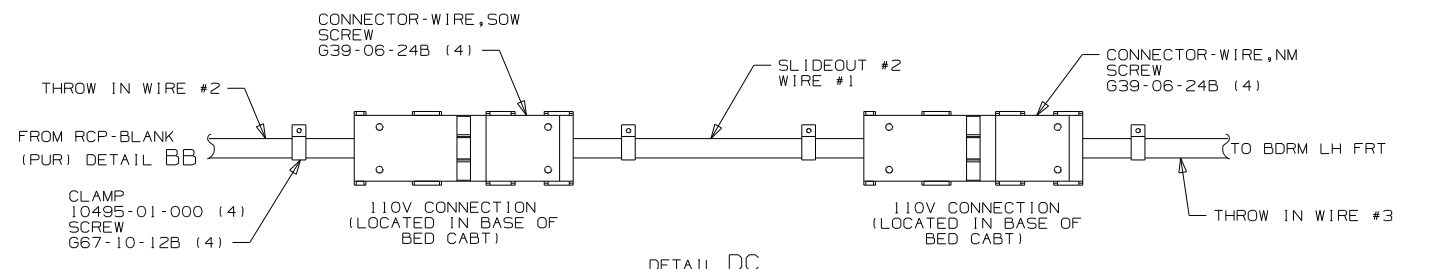
FIRST USED	
09 R40FD	
DO NOT SCALE DRAWING	
TITLE: WIRING INSTL-BODY, 110V	
SHEET 3	PART NO 166774



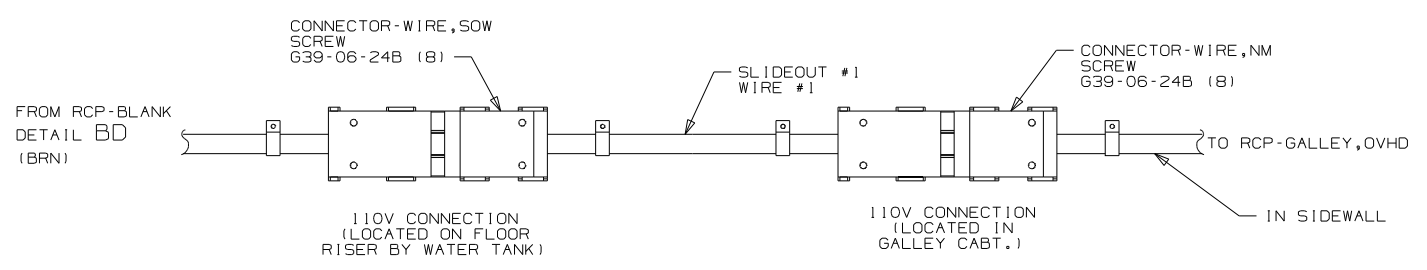
DETAIL DD



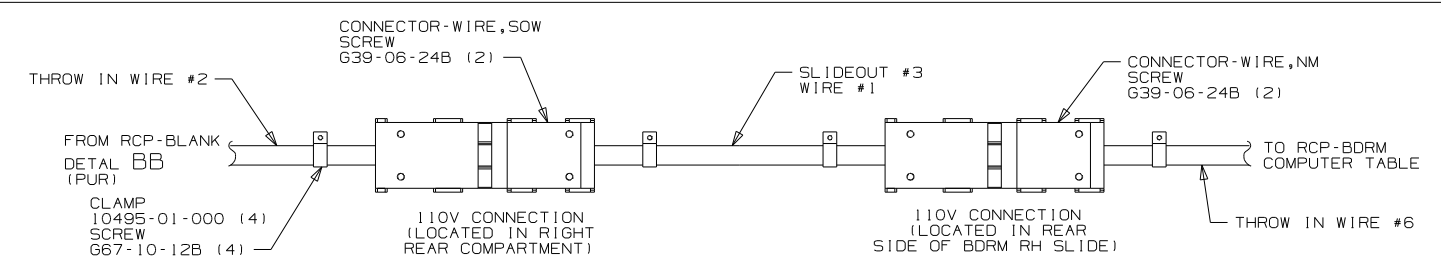
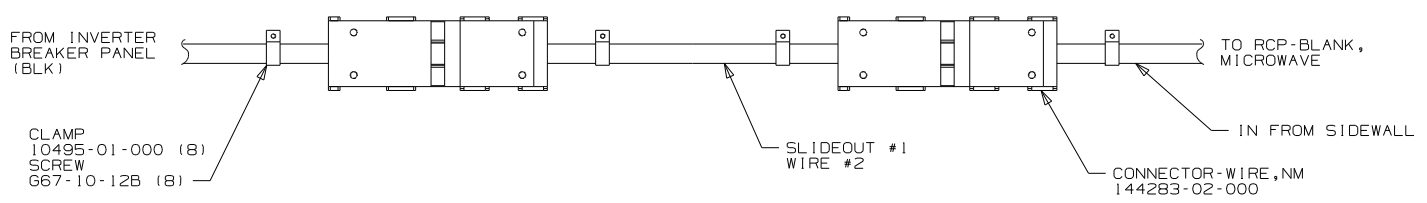
DETAIL DD 14C



DETAIL DC



DETAIL DA



DETAIL DE

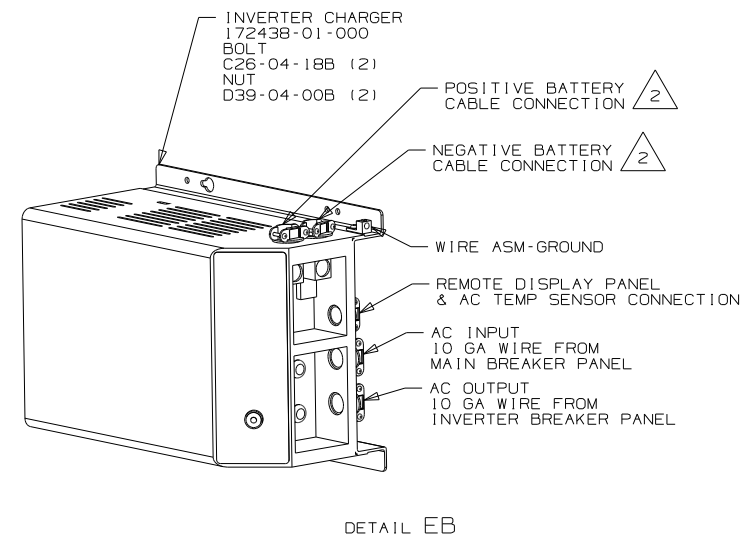
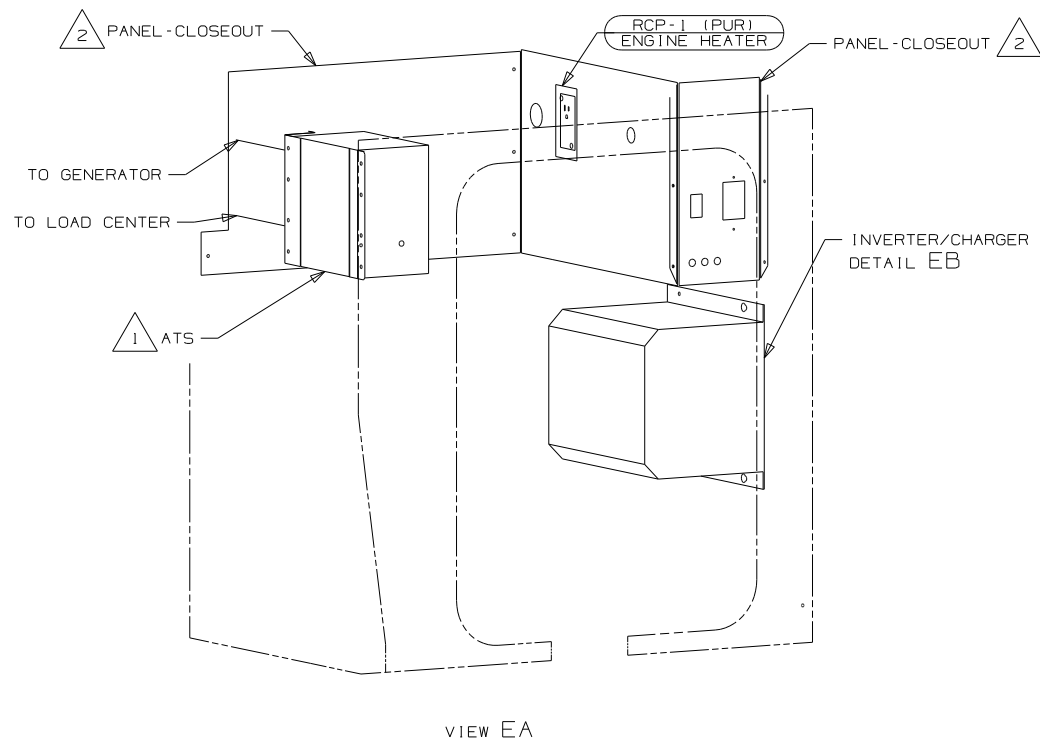
- 14C FIREPLACE-ELECTRIC
- 1D5 ENTERTAINMENT CENTR/EXT W/CD
- 1D3 ENTERTAIN CENTR/EXT TV-DVD
- 265 CODES/STANDARDS-CSA/CMVSS
- 1B1 CODES/STANDARDS USA

1B1 265

FOR ELECTRICAL TORQUE SPECIFICATIONS SEE DWG NO. 128783-01-000

X-X FOR ELECTRICAL CALLOUTS SEE DWG NO. 121339-01-000

FIRST USED	09 R40FD	
TITLE	DO NOT SCALE DRAWING	
	WIRING INSTL-BODY, 110V	
SHEET 4	PART NO	REV
	166774	



- NOTES:
- 5 FASTEN CLIP TO INSIDE LEFT COMPARTMENT WALL.
 - 4 PLUG POWER CORD REEL MOUNTING HOLES WITH PLUG-PLASTIC 81211-01-000 (4).
 - 3 INSERT BOLT FROM BOTTOM OF COMPT.
 - 2 SEE WIRING INSTL-CHASSIS FOR ADDITIONAL INFORMATION.
 - 1 SEE LOAD CENTER/ATS ASM FOR ADDITIONAL INFORMATION.

265 CODES/STANDARDS-CSA/CMVSS

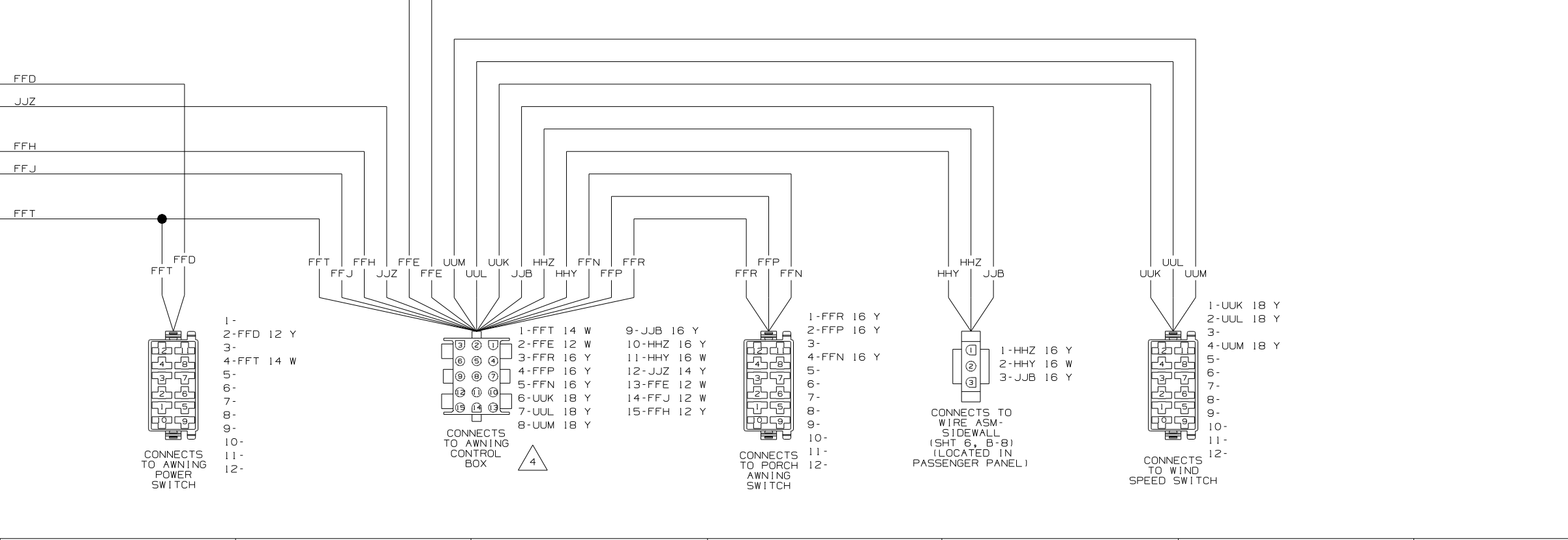
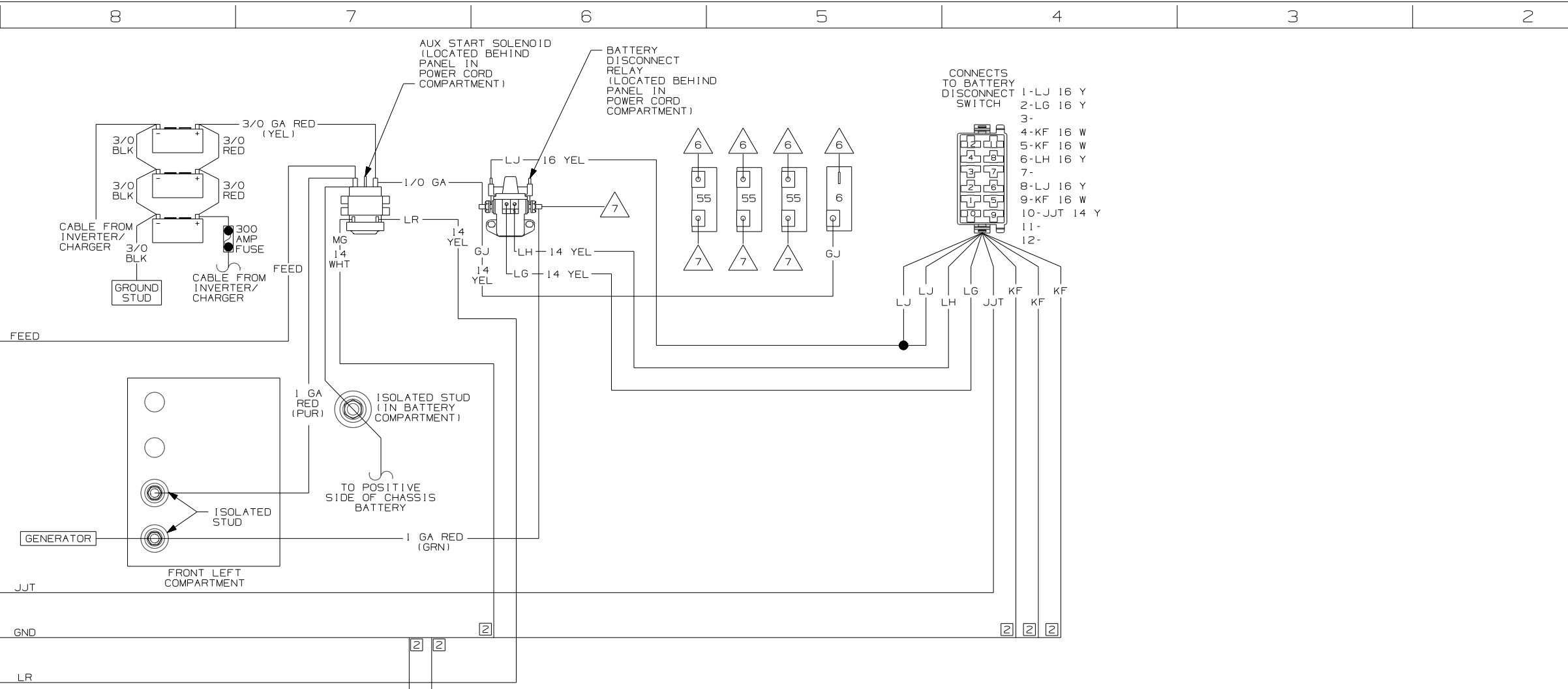
1B1 CODES/STANDARDS USA

1B1 265

FOR ELECTRICAL TORQUE SPECIFICATIONS SEE DWG NO. 128783-01-000

(X-X) FOR ELECTRICAL CALLOUTS SEE DWG NO. 121339-01-000

FIRST USED		09 R40FD	
DO NOT SCALE DRAWING			
TITLE: WIRING INSTL-BODY, 110V			
SHEET 5	PART NO	166774	REV

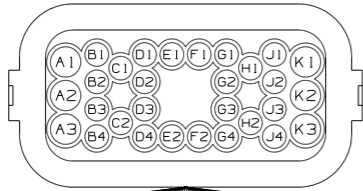


WIRING DIAGRAM-CHASSIS
(WIRE ASM 166780 REV-D)

		COPYRIGHT 2006 WINNEBAGO INDUSTRIES, INC.
DFT#	ORIG. DATE	
CHR#	ALL DIMENSIONS ARE IN MILLIMETERS	
P.E.		
M.E.	FIRST USED	
DSNR	09 R40FD	
UNSPECIFIED TOLERANCES ARE:		MATERIAL:
WHOLE DIM (X)	:	
ONE-PLACE (X.X)	:	
TWO-PLACE (X.XX)	:	
ANGLE	:	
THIRD ANGLE PROJECTION		
DO NOT SCALE DRAWING		
TITLE: WIRING DIAGRAM-BODY, 12V		
SHEET 1 of 7	PART NO	REV
	166775	

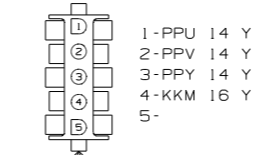
CONNECTS TO WIRE ASM-IP,MAIN (LOCATED ON FRONT LEFT COMPT) 5

- A1-DDT 12 Y
- A2-DDU 12 W
- A3-DDV 12 Y
- B1-CCZ 16 Y
- B2-
- B3-
- B4-RE 12 Y
- C1-DDZ 12 Y
- C2-EEA 12 W
- D1-PPS 14 Y



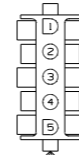
- D2-PPT 14 Y
- D3-PPU 14 Y
- D4-PPV 14 Y
- E1-NNK 16 Y
- E2-KKL 16 Y
- F1-HHE 16 Y
- F2-HHF 16 Y
- G1-X 14 Y
- G2-SSC 14 Y
- G3-SSD 14 Y
- G4-SSE 14 Y
- H1-LP 16 Y
- H2-SSF 14 Y
- J1-
- J2-
- J3-KKM 16 Y
- J4-KKN 16 Y
- K1-DDW 12 W
- K2-HHD 12 Y
- K3-FX 12 Y

CONNECTS TO WIRE ASM-COACH (SHT 2, D-20) (LOCATED IN BASE OF BED CABT)



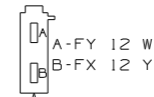
- 1-PPU 14 Y
- 2-PPV 14 Y
- 3-PPY 14 Y
- 4-KKM 16 Y
- 5-

CONNECTS TO WIRE ASM-COACH (SHT 2, D-3) (LOCATED IN BASE OF BED CABT)



- 1-PPS 14 Y
- 2-PPT 14 Y
- 3-PPW 14 Y
- 4-CCZ 16 Y
- 5-

CONNECTS TO POWER PASSENGER SEAT (LOCATED IN SEAT BASE) 4



- A-FY 12 W
- B-FX 12 Y

CONNECTS TO COOLING FAN



- A-RK 12 W
- B-RE 12 Y

CONNECTS TO WIRE ASM-BACKWALL (LOCATED NEAR LEFT CHASSIS RAIL) 8

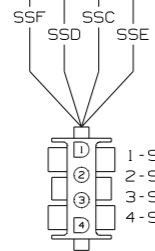
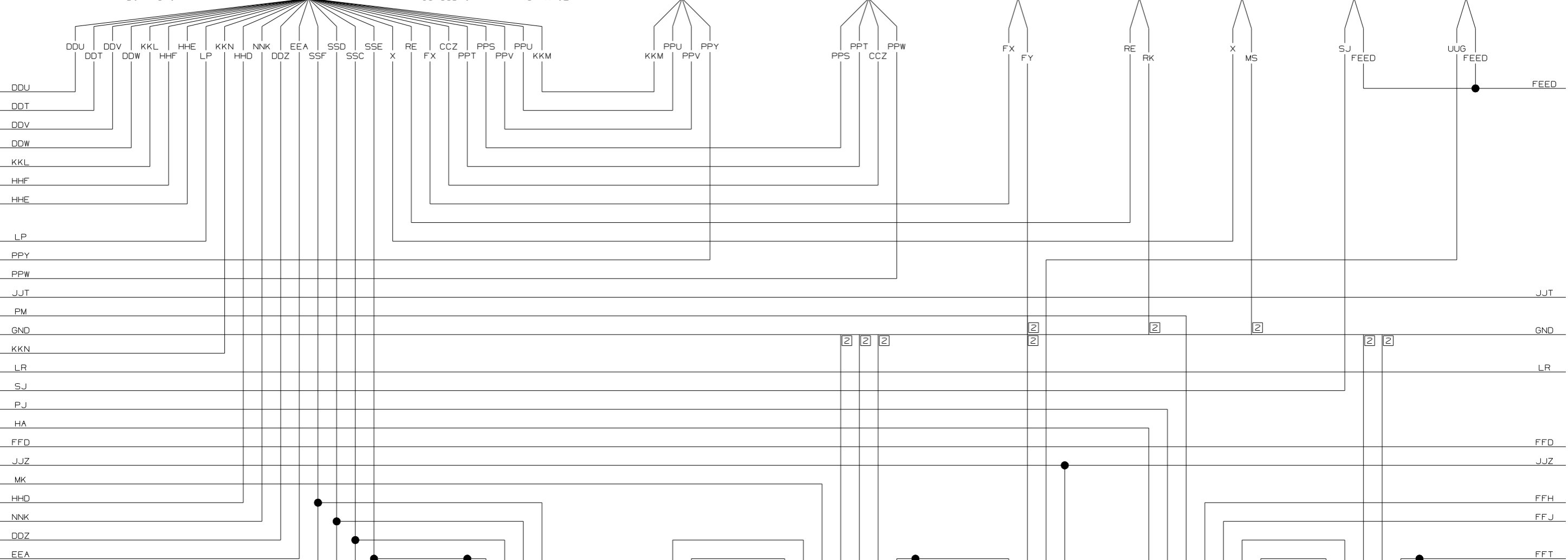


- A-MS 14 W
- B-X 14 Y

STEP POWER FUSE
A-FEED 10 Y
B-SJ 10 Y

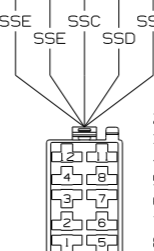


CHASSIS DISCONNECT FUSE
A-FEED 10 Y
B-UUG 18 Y



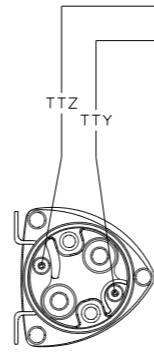
- 1-SSD 14 Y
- 2-SSE 14 Y
- 3-
- 4-SSC 14 Y
- 5-
- 6-
- 7-
- 8-
- 9-SSF 14 Y
- 10-SSD 14 Y
- 11-
- 12-

CONNECTS TO WIRE ASM-COACH (SHT 2, D-4) (LOCATE IN BED BASE)



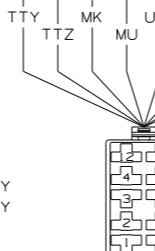
- 1-SSD 14 Y
- 2-SSE 14 Y
- 3-
- 4-SSC 14 Y
- 5-
- 6-
- 7-
- 8-
- 9-SSF 14 Y
- 10-SSD 14 Y
- 11-
- 12-

CONNECTS TO AUTO LEVEL SWITCH



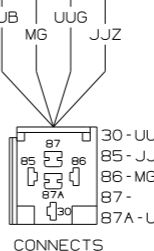
- TTZ 18 Y
- TTY 18 Y

CONNECTS TO CHASSIS BATTERY DISCONNECT SOLENOID



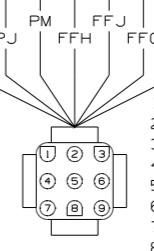
- 1-UUB 18 Y
- 2-TTY 18 Y
- 3-
- 4-UUC 18 W
- 5-UUC 18 W
- 6-TTZ 18 Y
- 7-
- 8-UUB 18 Y
- 9-MU 14 W
- 10-MK 16 Y
- 11-
- 12-

CONNECTS TO CHASSIS BATTERY DISCONNECT SWITCH



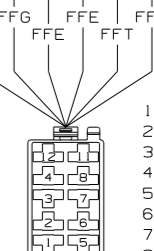
- 30-UUG 18 Y
- 85-JJZ 14 Y
- 86-MG 14 W
- 87-
- 87A-UUB 18 Y

CONNECTS TO CHASSIS BATTERY DISCONNECT LOCKOUT RELAY



- 1-PJ 16 Y
- 2-PM 14 W
- 3-FFF 12 Y
- 4-FFG 12 W
- 5-FFH 12 Y
- 6-FFJ 12 W
- 7-
- 8-HA 14 Y
- 9-

CONNECTS TO WIRE ASM-SIDEWALL (SHT 6, D-8) (LOCATED IN PASSENGERS CONSOLE)

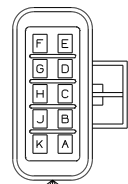


- 1-FFE 12 W
- 2-FFF 12 Y
- 3-
- 4-FFT 14 W
- 5-FFT 14 W
- 6-FFG 12 W
- 7-
- 8-FFE 12 W
- 9-
- 10-
- 11-
- 12-

CONNECTS TO DOOR AWNING SWITCH

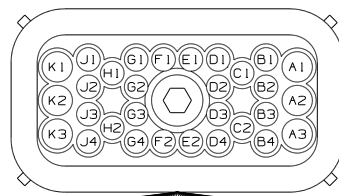
CONNECTS TO GENERATOR 

- A-LN 16 W
- B-HU 16 Y
- C-LL 16 W
- D-
- E-LM 16 W
- F-LP 16 Y
- G-
- H-
- J-
- K-



- A1-
- A2-
- A3-FS 14 Y
- B1-BBM 16 Y
- B2-BBN 16 Y
- B3-CCY 16 Y
- B4-KKK 16 Y
- C1-DDA 16 Y
- C2-PPJ 14 Y
- D1-LL 16 W

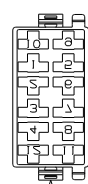
CONNECTS TO WIRE ASM-IP, MAIN (LOCATED ON FRONT LEFT COMPT)



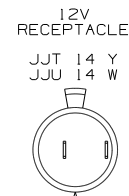
- D2-LM 16 W
- D3-LN 16 W
- D4-HU 16 Y
- E1-MM 14 Y
- E2-NW 14 Y
- F1-MK 16 Y
- F2-LR 14 Y
- G1-PPW 14 Y
- G2-
- G3-PPY 14 Y

- G4-
- H1-PPK 14 Y
- H2-PX 16 Y
- J1-PJ 16 Y
- J2-JJZ 14 Y
- J3-ER 16 Y
- J4-PY 16 Y
- K1-FFD 12 Y
- K2-KA 12 Y
- K3-SJ 10 Y

CONNECTS TO COMPARTMENT LAMPS SWITCH

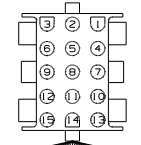


- 1-
- 2-WC 16 Y
- 3-
- 4-NW 14 Y
- 5-
- 6-
- 7-
- 8-
- 9-
- 10-
- 11-
- 12-



12V RECEPTACLE
JJT 14 Y
JJU 14 W

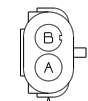
CONNECTS TO WIRE ASM-COACH (SHT 2, A-27) (LOCATED IN BED BASE)



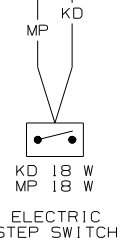
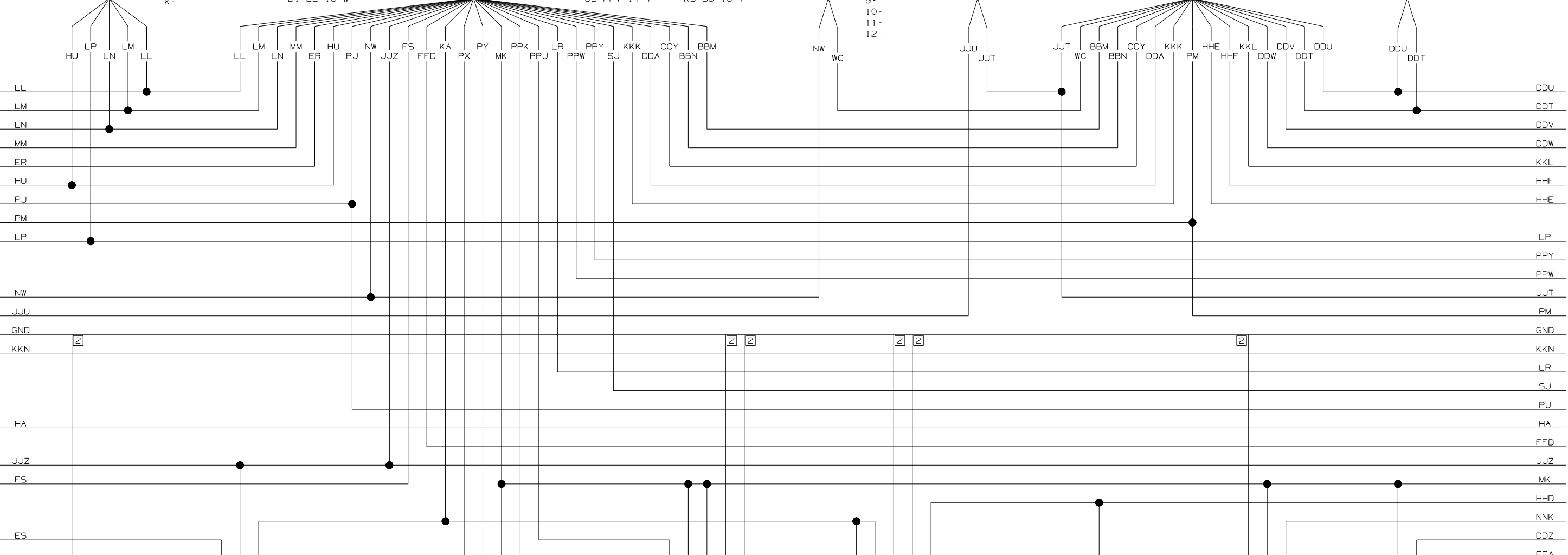
- 1-BBM 16 Y
- 2-BBN 16 Y
- 3-DDA 16 Y
- 4-CCY 16 Y
- 5-KKK 16 Y
- 6-HHF 16 Y
- 7-HHF 16 Y
- 8-KKL 16 Y

- 9-WC 16 Y
- 10-PM 14 W
- 11-DDT 12 Y
- 12-DDU 12 W
- 13-DDV 12 Y
- 14-DDW 12 W
- 15-JJT 14 Y

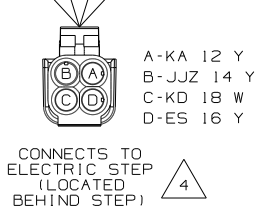
CONNECTS TO WIRE ASM-LOCKS COMPT DOOR (SHT 5, A-6) (LOCATED ON COMPT DOOR)

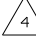


- A-DDT 12 Y
- B-DDU 12 W

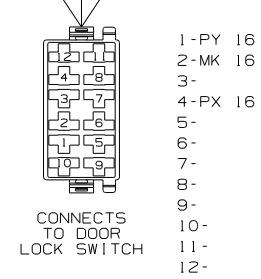


KD 18 W
MP 18 W
ELECTRIC STEP SWITCH



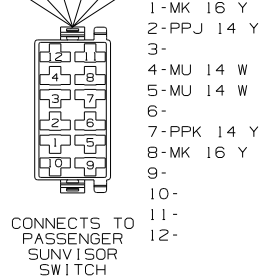
CONNECTS TO ELECTRIC STEP (LOCATED BEHIND STEP) 

- A-KA 12 Y
- B-JJZ 14 Y
- C-KD 18 W
- D-ES 16 Y



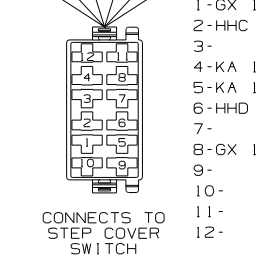
CONNECTS TO DOOR LOCK SWITCH

- 1-PY 16 Y
- 2-MK 16 Y
- 3-
- 4-PX 16 Y
- 5-
- 6-
- 7-
- 8-
- 9-
- 10-
- 11-
- 12-



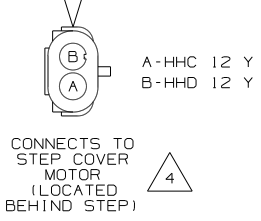
CONNECTS TO PASSENGER SUNVISOR SWITCH


- 1-MK 16 Y
- 2-PPJ 14 Y
- 3-
- 4-MU 14 W
- 5-MU 14 W
- 6-
- 7-PPK 14 Y
- 8-MK 16 Y
- 9-
- 10-
- 11-
- 12-



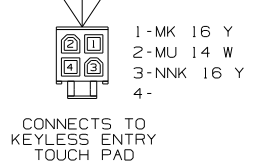
CONNECTS TO STEP COVER SWITCH

- 1-GX 12 W
- 2-HHC 12 Y
- 3-
- 4-KA 12 Y
- 5-KA 12 Y
- 6-HHD 12 Y
- 7-
- 8-GX 12 W
- 9-
- 10-
- 11-
- 12-



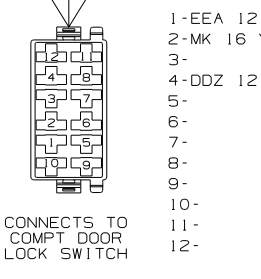
CONNECTS TO STEP COVER MOTOR (LOCATED BEHIND STEP) 

- A-HHC 12 Y
- B-HHD 12 Y



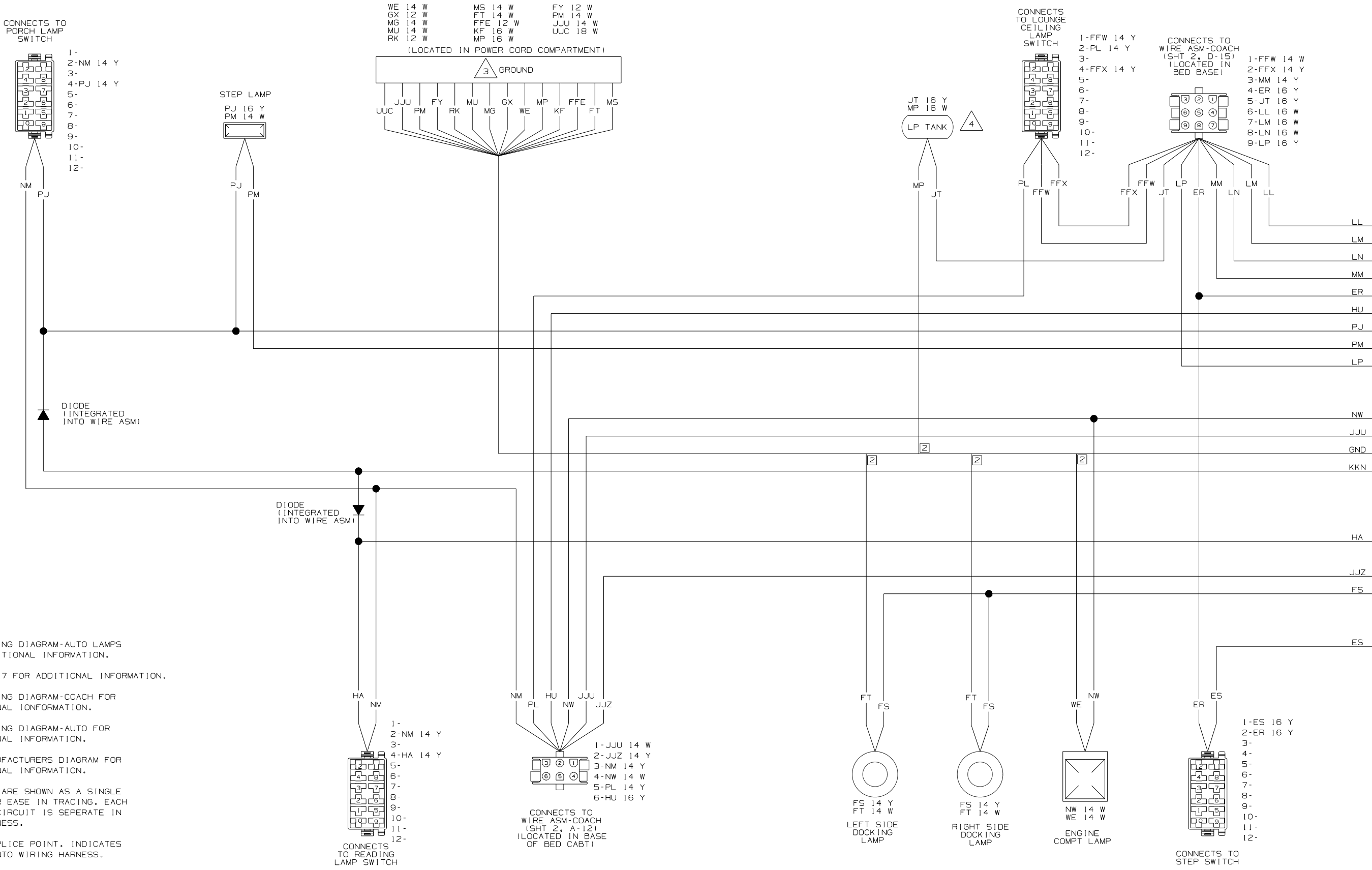
CONNECTS TO KEYLESS ENTRY TOUCH PAD

- 1-MK 16 Y
- 2-MU 14 W
- 3-NNK 16 Y
- 4-

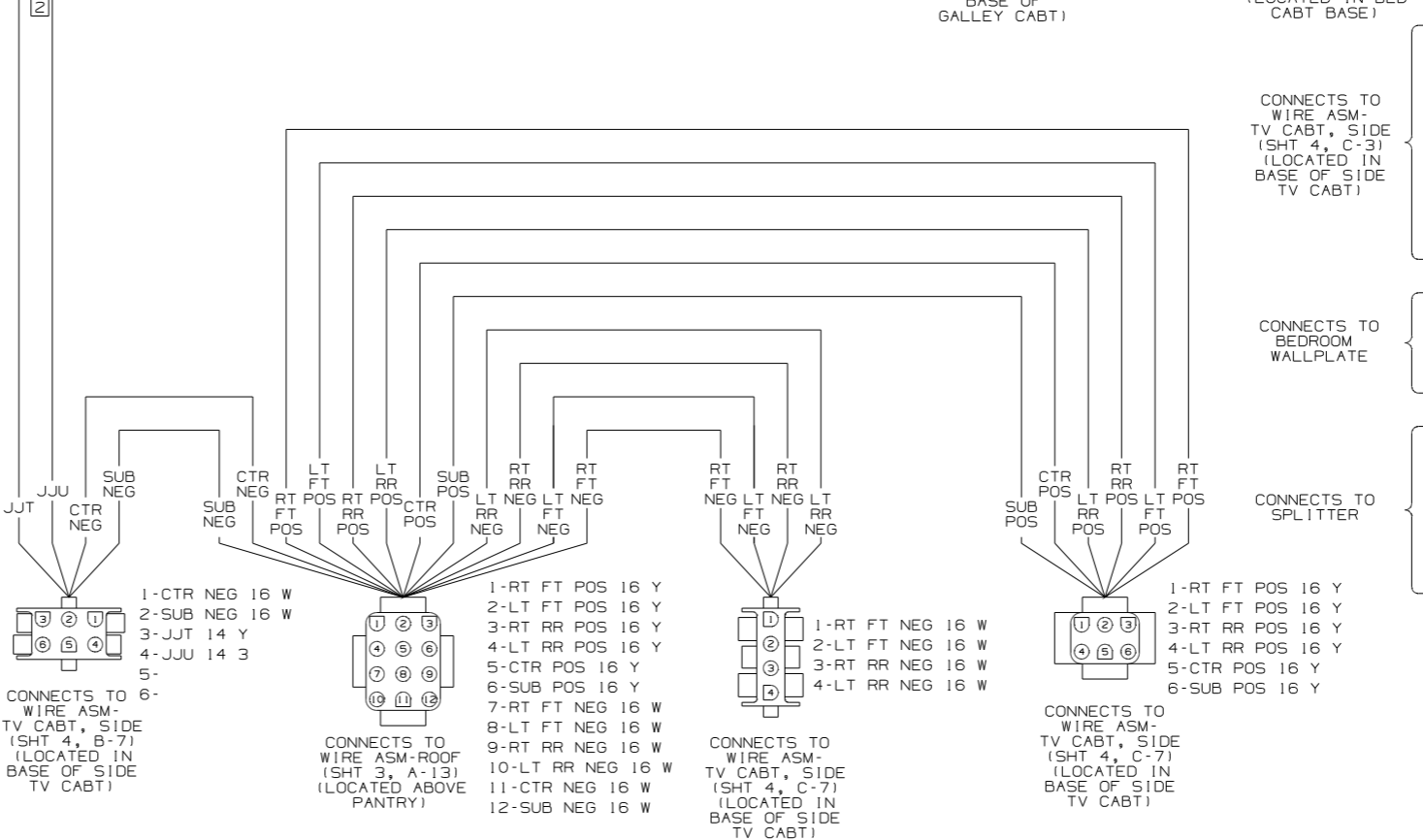
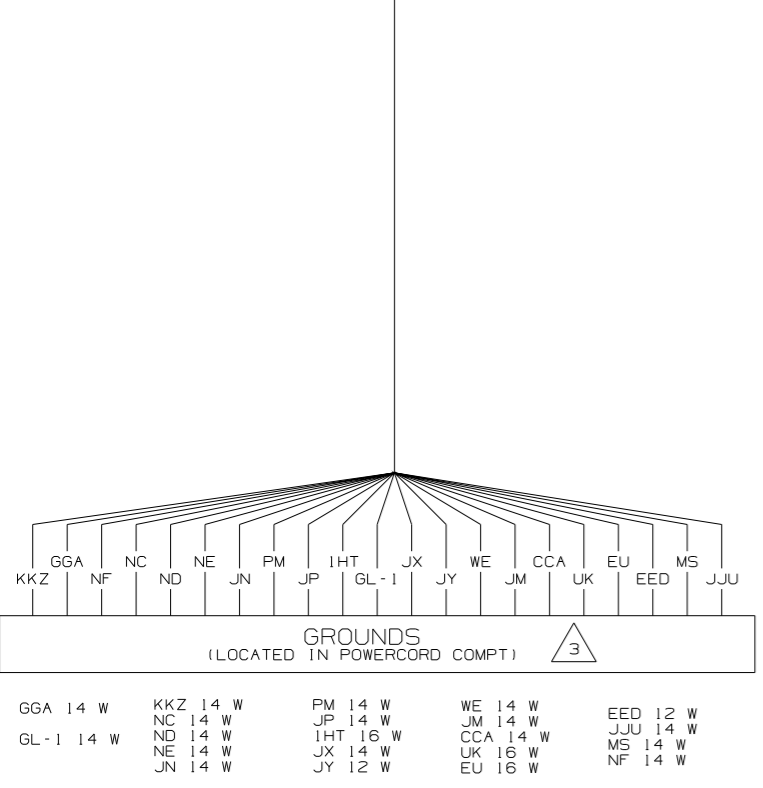
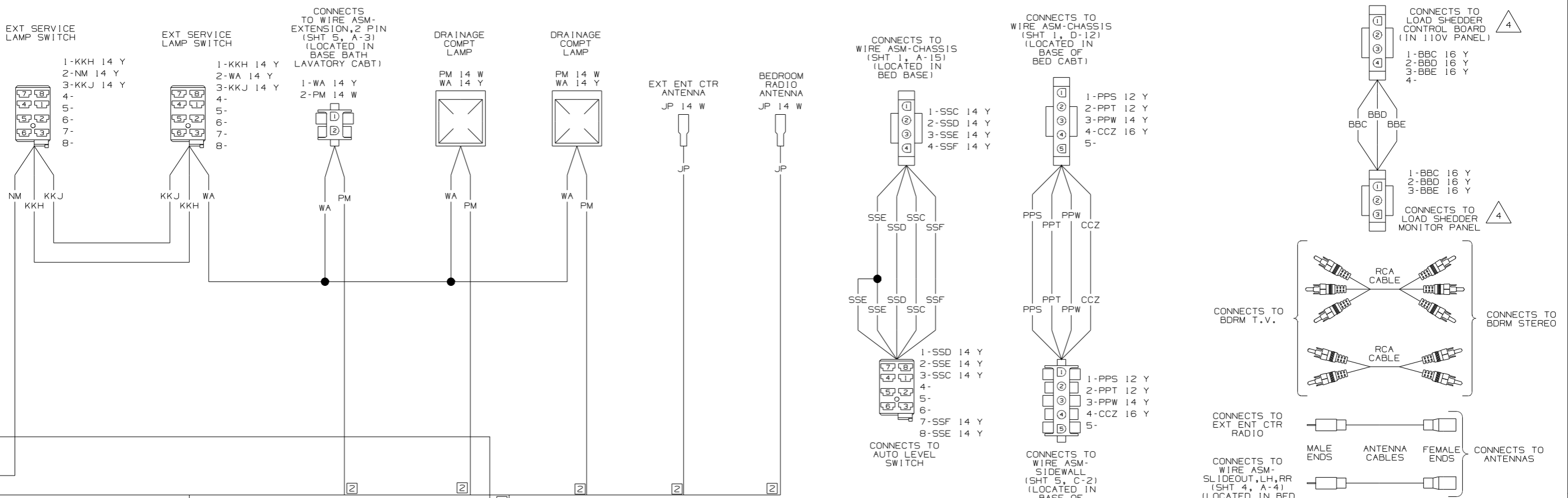


CONNECTS TO COMPT DOOR LOCK SWITCH

- 1-EEA 12 W
- 2-MK 16 Y
- 3-
- 4-DDZ 12 Y
- 5-
- 6-
- 7-
- 8-
- 9-
- 10-
- 11-
- 12-



- 8 SEE WIRING DIAGRAM-AUTO LAMPS FOR ADDITIONAL INFORMATION.
 - 7 SEE SHT 7 FOR ADDITIONAL INFORMATION.
 - 6 SEE WIRING DIAGRAM-COACH FOR ADDITIONAL INFORMATION.
 - 5 SEE WIRING DIAGRAM-AUTO FOR ADDITIONAL INFORMATION.
 - 4 SEE MANUFACTURERS DIAGRAM FOR ADDITIONAL INFORMATION.
 - 3 GROUNDS ARE SHOWN AS A SINGLE LINE FOR EASE IN TRACING. EACH GROUND CIRCUIT IS SEPERATE IN THE HARNESS.
 - 2 NOT A SPLICE POINT. INDICATES ENTRY INTO WIRING HARNESS.
1. SPLICES ARE THEORETICAL AND MAY DIFFER IN THE HARNESS.



WIRING DIAGRAM-COACH
 (WIRE ASM 166781 REV-C)

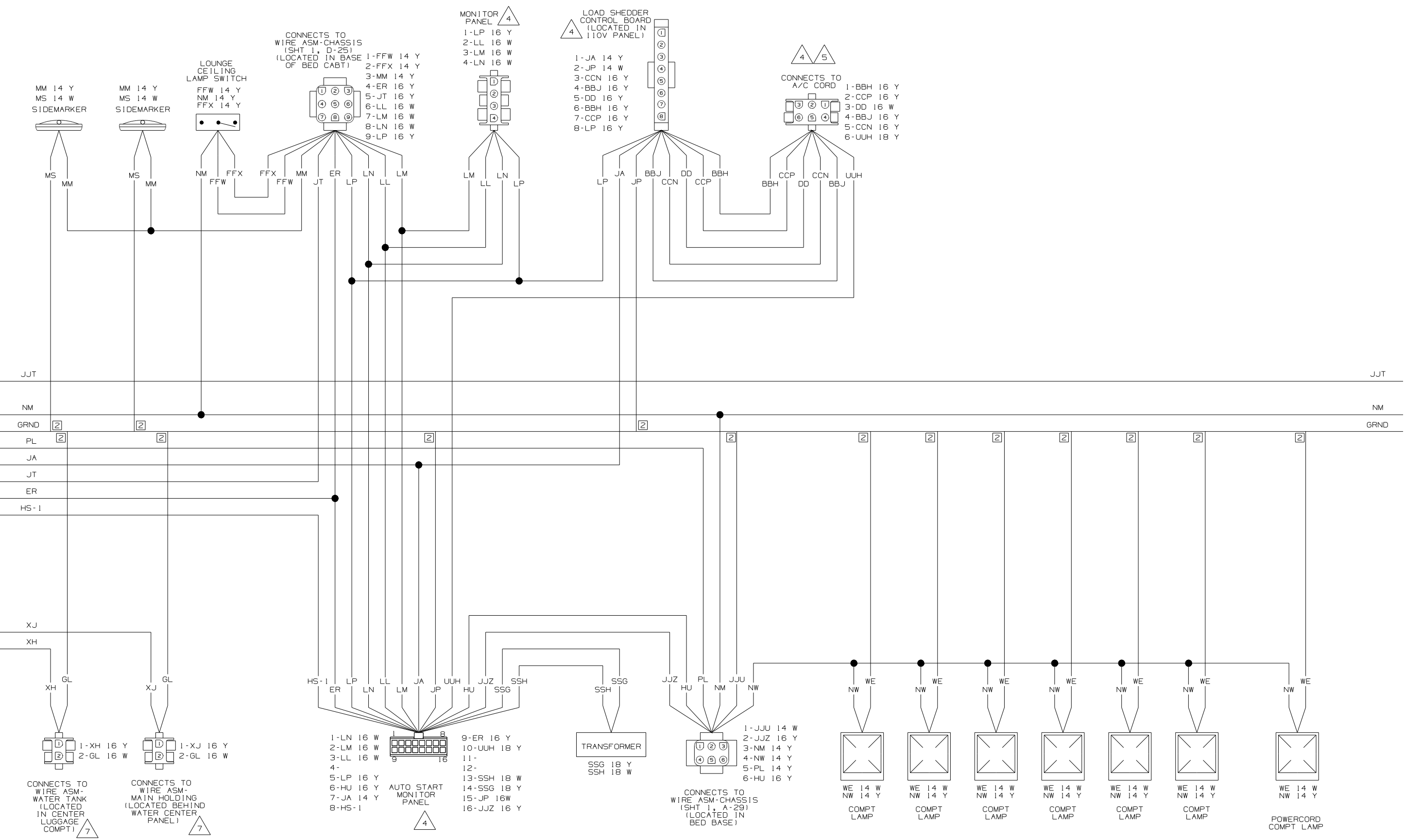
FIRST USED
 09 R40FD

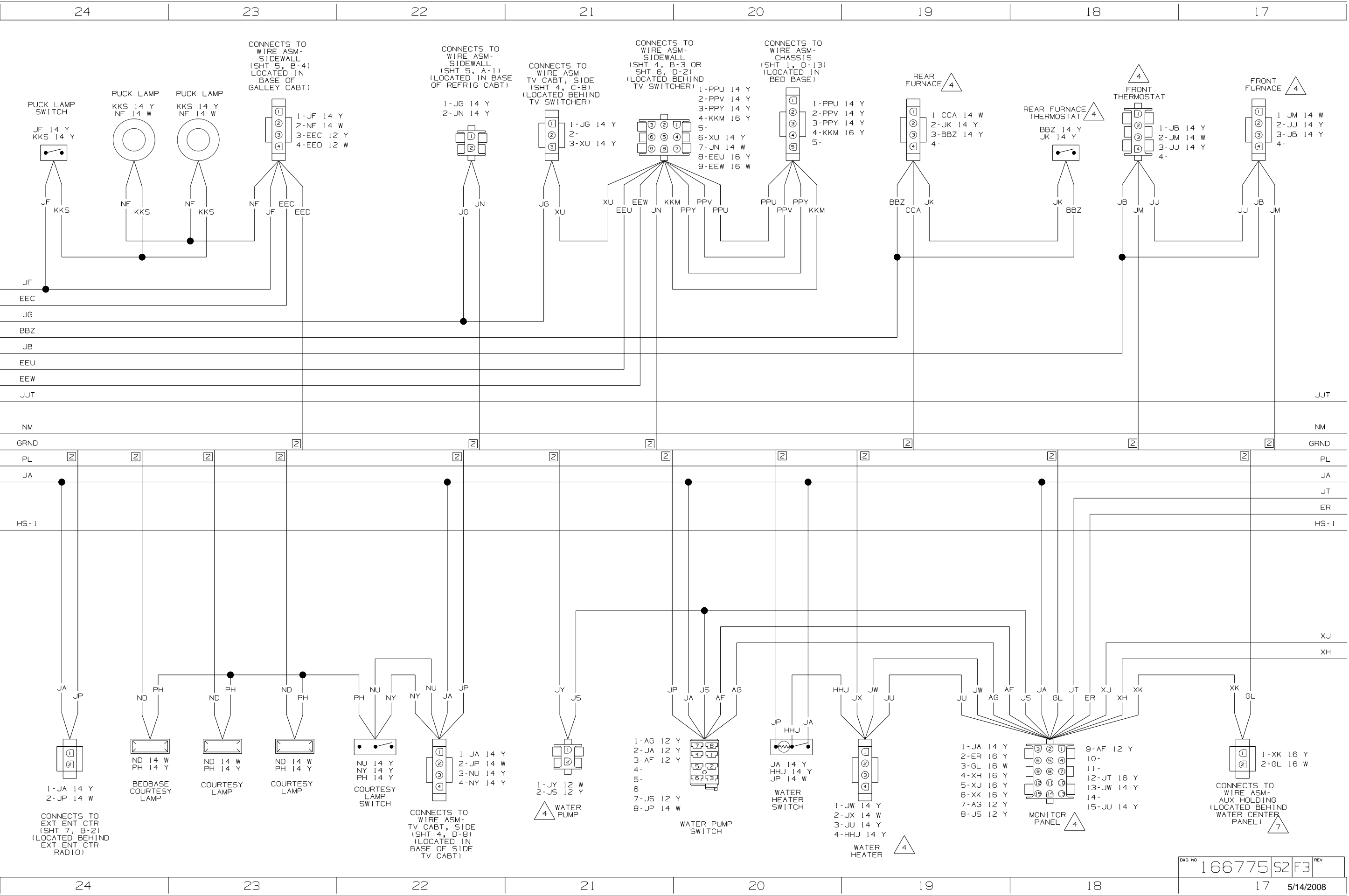
DO NOT SCALE DRAWING

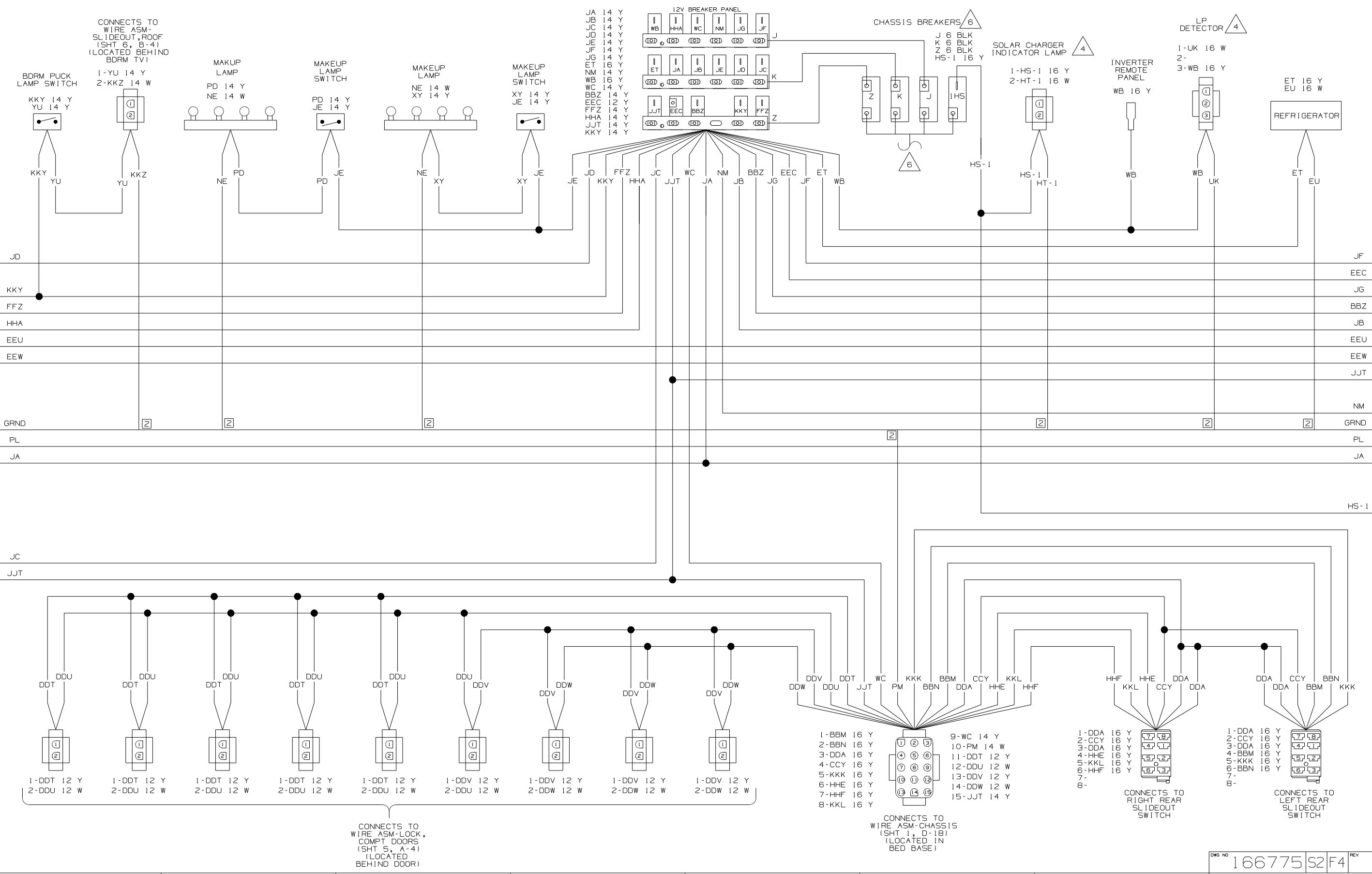
TITLE:
 WIRING DIAGRAM BODY, 12V

F1 SHEET 2 PART NO 166775 REV

5/14/2008







- JA 14 Y
- JB 14 Y
- JC 14 Y
- JD 14 Y
- JE 14 Y
- JF 14 Y
- JG 14 Y
- JH 16 Y
- JJ 14 Y
- JK 16 Y
- JL 14 Y
- JM 14 Y
- JN 14 Y
- JO 16 Y
- JP 16 Y
- JQ 14 Y
- JR 14 Y
- JS 14 Y
- JT 14 Y
- JU 14 Y
- JV 14 Y
- JW 14 Y
- JX 14 Y
- JY 14 Y
- JZ 14 Y

- 1-BBM 16 Y
- 2-BBN 16 Y
- 3-DDA 16 Y
- 4-CCY 16 Y
- 5-KKL 16 Y
- 6-HHE 16 Y
- 7-HHF 16 Y
- 8-KKL 16 Y
- 9-WC 14 Y
- 10-PM 14 W
- 11-DDT 12 Y
- 12-DDU 12 W
- 13-DDV 12 Y
- 14-DDW 12 W
- 15-JJT 14 Y

- 1-DDA 16 Y
- 2-CCY 16 Y
- 3-DDA 16 Y
- 4-HHE 16 Y
- 5-KKL 16 Y
- 6-HHF 16 Y
- 7-
- 8-

- 1-DDA 16 Y
- 2-CCY 16 Y
- 3-DDA 16 Y
- 4-BBM 16 Y
- 5-KKL 16 Y
- 6-BBN 16 Y
- 7-
- 8-

CONNECTS TO WIRE ASM-LOCK, COMPT DOORS (SHT 5, A-4) (LOCATED BEHIND DOOR)

CONNECTS TO WIRE ASM-CHASSIS (SHT 1, D-18) (LOCATED IN BED BASE)

CONNECTS TO RIGHT REAR SLIDEOUT SWITCH

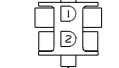
CONNECTS TO LEFT REAR SLIDEOUT SWITCH

CONNECTS TO
WIRE ASM-ROOF
(SHT 3, D-10)
(LOCATED ABOVE
PANTRY)

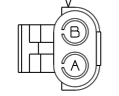
CONNECTS TO
WIRE ASM-
(SHT-5, A-8)
BDRM CEILING
FAN RESISTOR

SOLAR CHARGER
INDICATOR LAMP

- 1-HS 16 Y
- 2-HT 16 W



HS HT



A-HS 16 Y
B-HT 16 W



- 1-JA 14 Y
- 2-PC 14 Y
- 3-JC 14 Y
- 4-PG 14 Y
- 5-WX 14 Y
- 6-HHA 14 Y
- 7-KH 14 Y
- 8-KG 14 Y
- 9-JJV 14 Y
- 10-FFY 14 Y
- 11-KKZ 14 W
- 12-A 14 Y
- 13-PL 14 Y
- 14-GR 14 Y
- 15-GS 14 Y

VENT
SWITCH

- KG 14 Y
- KH 14 Y



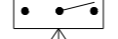
HALL LAMP
SWITCH

- YN 14 Y
- WX 14 Y
- YM 14 Y



HALL LAMP
SWITCH

- YN 14 Y
- JD 14 Y
- YM 14 Y



ONE PLACE
LAMP
SWITCH

- JD 14 Y
- JJV 14 Y



BDRM
DIMMER
SWITCH

- KKY 14 Y
- PC 14 Y

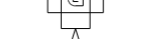


BEDROOM
CEILING
FAN SWITCH

- FFY 14 Y
- GGX 14 Y
- KKY 14 Y



- 1-FFY 14 W
- 2-GGX 14 Y



GALLEY
CEILING
LAMP
SWITCH

- A 14 Y
- JD 14 Y



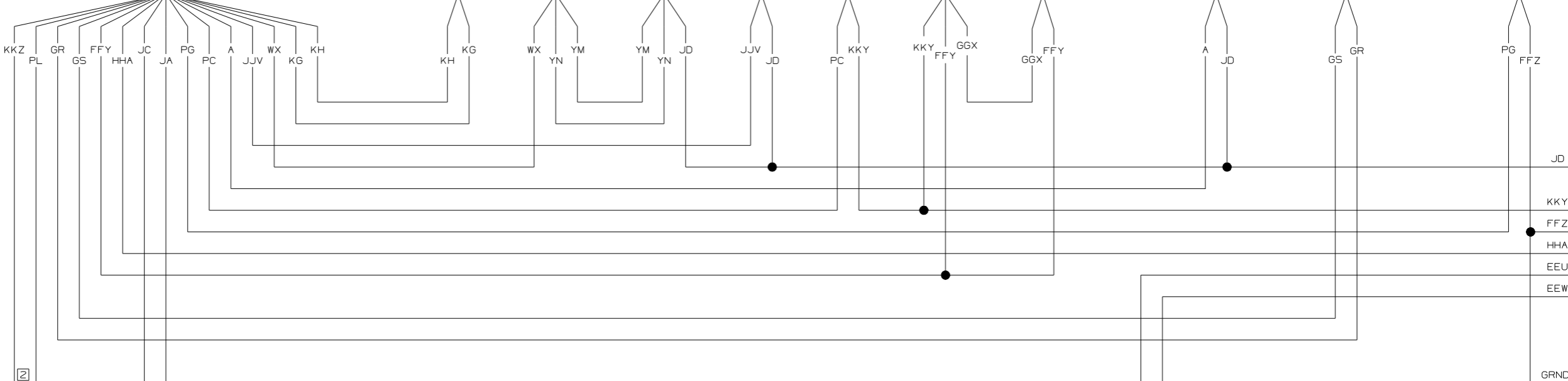
GALLEY VENT
SWITCH

- GR 14 Y
- GS 14 Y

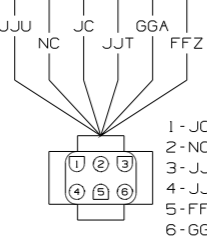


WARDROBE
SWITCH

- PG 14 Y
- FFZ 14 Y

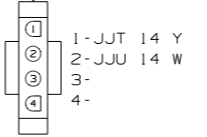


- 7 SEE WIRING DIAGRAM-HOLDING TANKS FOR ADDITIONAL INFORMATION.
 - 6 SEE WIRING INSTL-BODY 12V OR WIRING DIAGRAM-CHASSIS FOR ADDITIONAL INFORMATION. (BREAKERS ARE PART OF CHASSIS WIRING.)
 - 5 SEE WIRING DIAGRAM-AC/HEAT/EMS FOR ADDITIONAL INFORMATION.
 - 4 SEE MANUFACTURERS DIAGRAM FOR ADDITIONAL INFORMATION.
 - 3 GROUNDS ARE SHOWN AS A SINGLE LINE FOR EASE IN TRACING. EACH GROUND CIRCUIT IS SEPERATE IN THE HARNESS.
 - 2 NOT A SPLICE POINT. INDICATES ENTRY INTO WIRING HARNESS.
- NOTES:
1. SPLICES ARE THEORETICAL AND MAY DIFFER IN THE HARNESS.



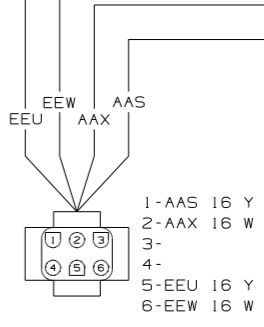
- 1-JC 14 Y
- 2-NC 14 W
- 3-JJT 14 Y
- 4-JJU 14 W
- 5-FFZ 14 Y
- 6-GGA 14 W

CONNECTS TO
WIRE ASM-
SLIDEOUT LH,RR
(SHT 4, A-6)
(LOCATED IN
BASE OF
BED CABT)



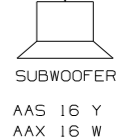
- 1-JJT 14 Y
- 2-JJU 14 W
- 3-
- 4-

CONNECTS TO
WIRE ASM-
SIDEWALL
(SHT 6, B-3)
(LOCATED IN
BASE OF SIDE
TV CABT)

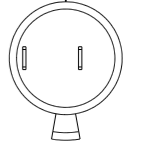


- 1-AAS 16 Y
- 2-AAX 16 W
- 3-
- 4-
- 5-EEU 16 Y
- 6-EEW 16 W

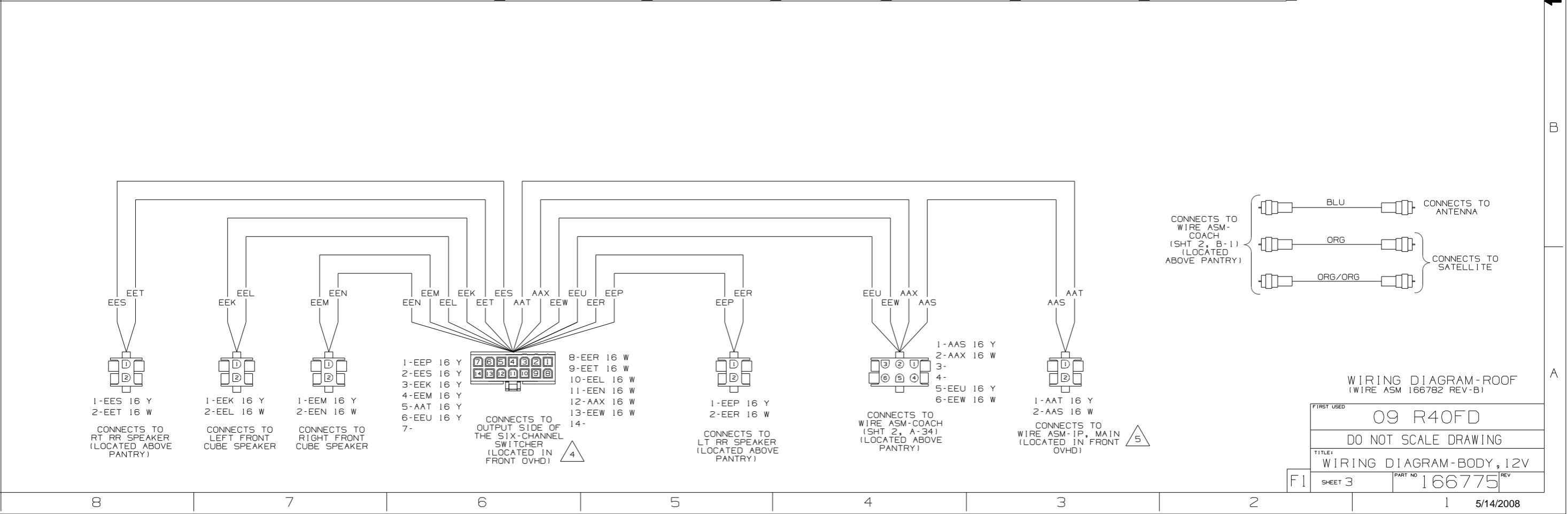
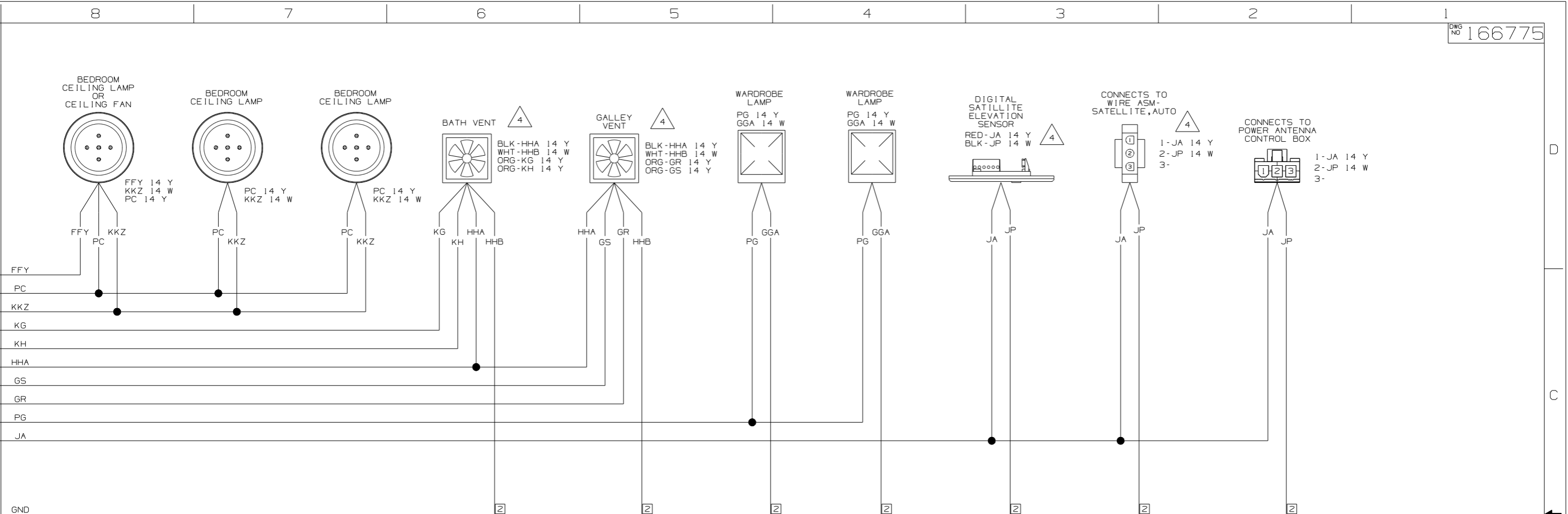
CONNECTS TO
WIRE ASM-ROOF
(SHT 3, A-4)
(LOCATED ABOVE
PANTRY)

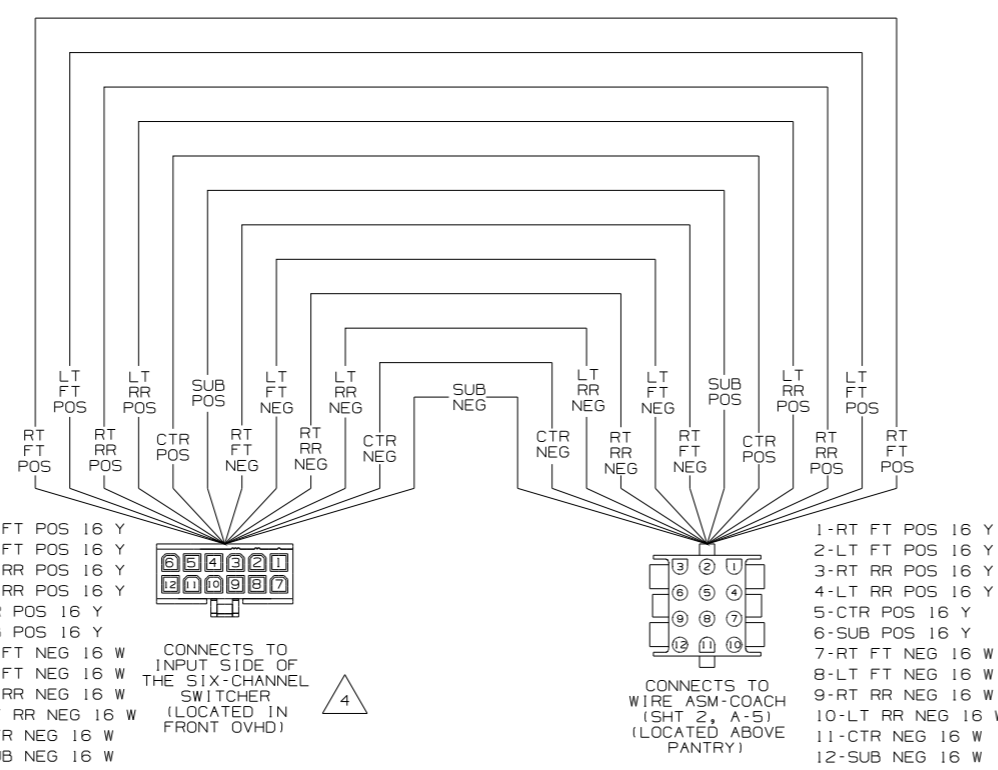
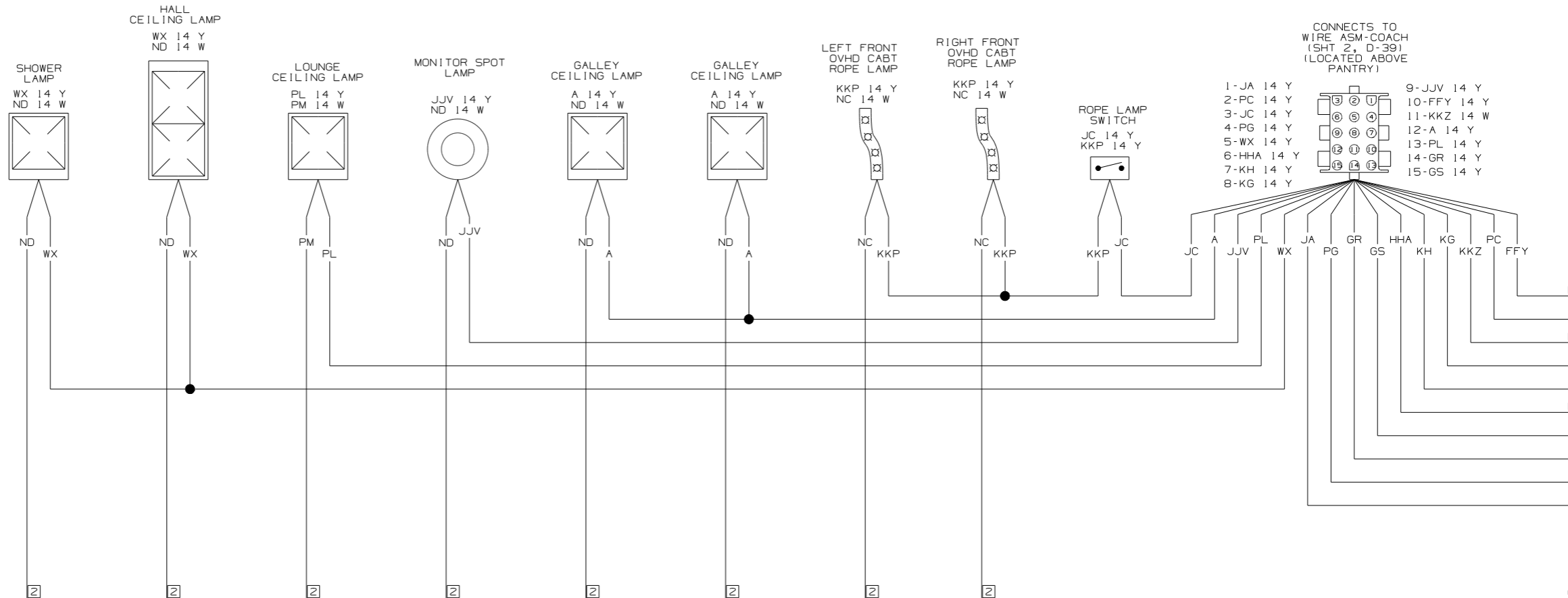


AAS 16 Y
AAX 16 W



JJT 14 Y
JJU 14 W
12V RCP
(LOCATED IN
BEDROOM)

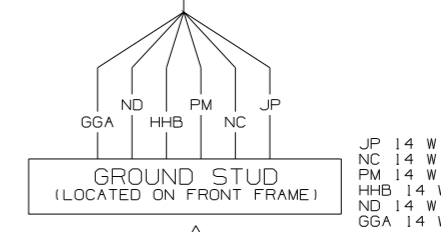


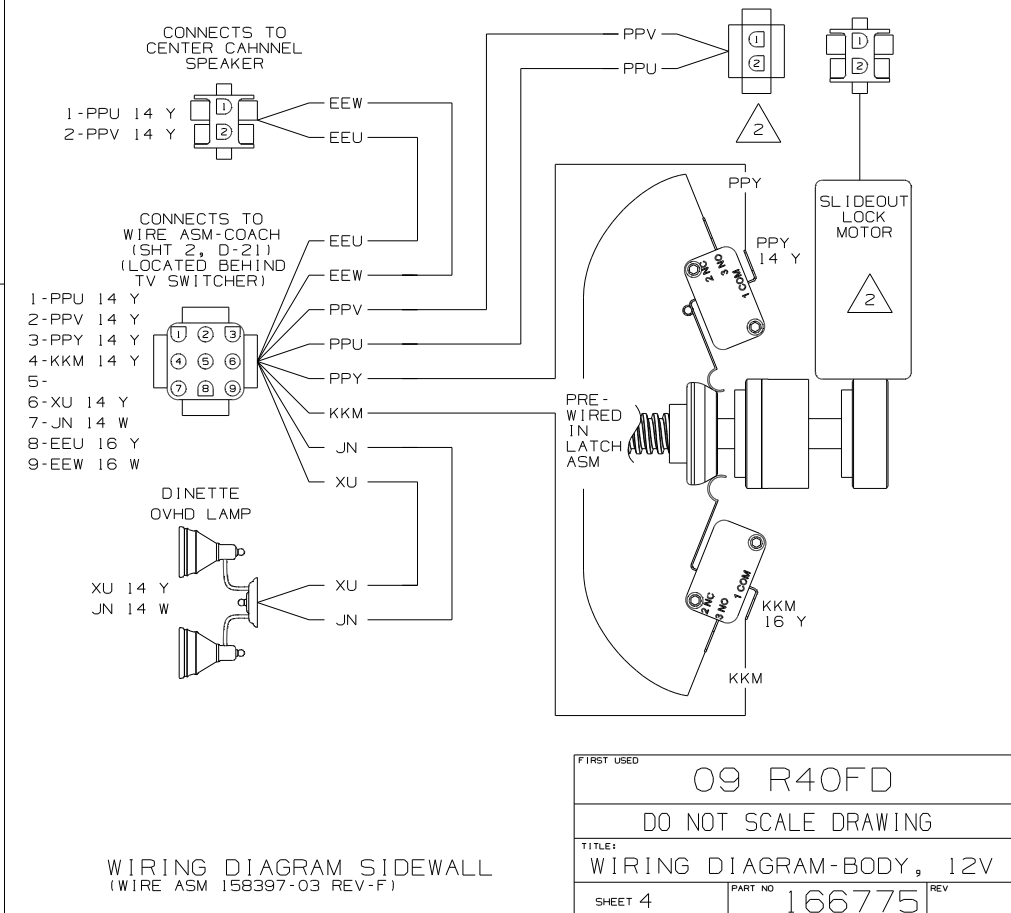
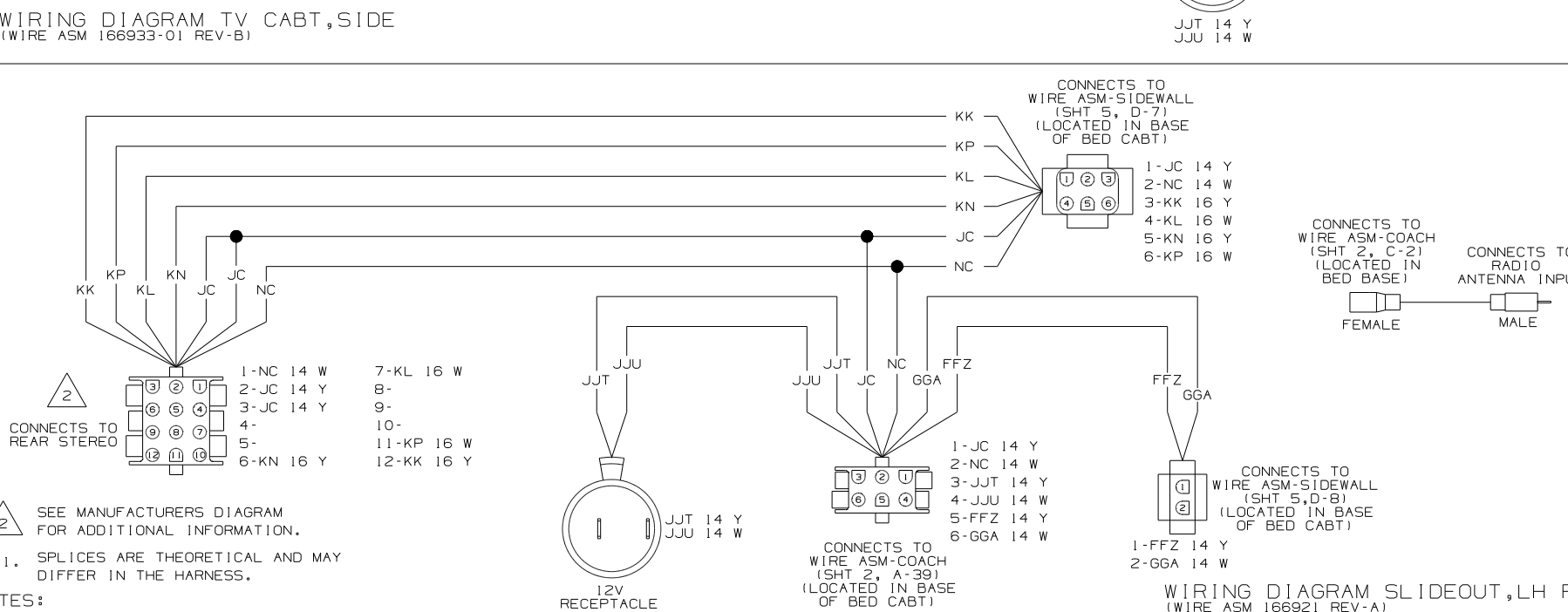
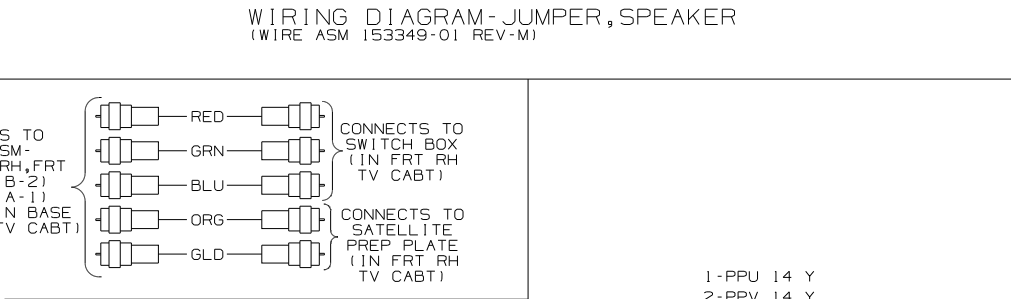
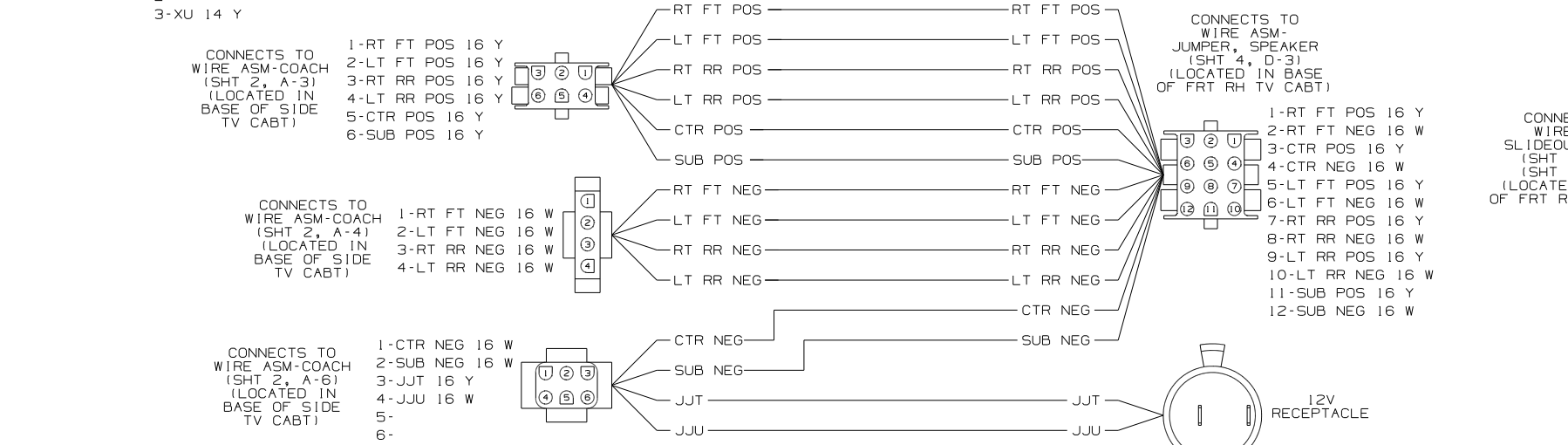
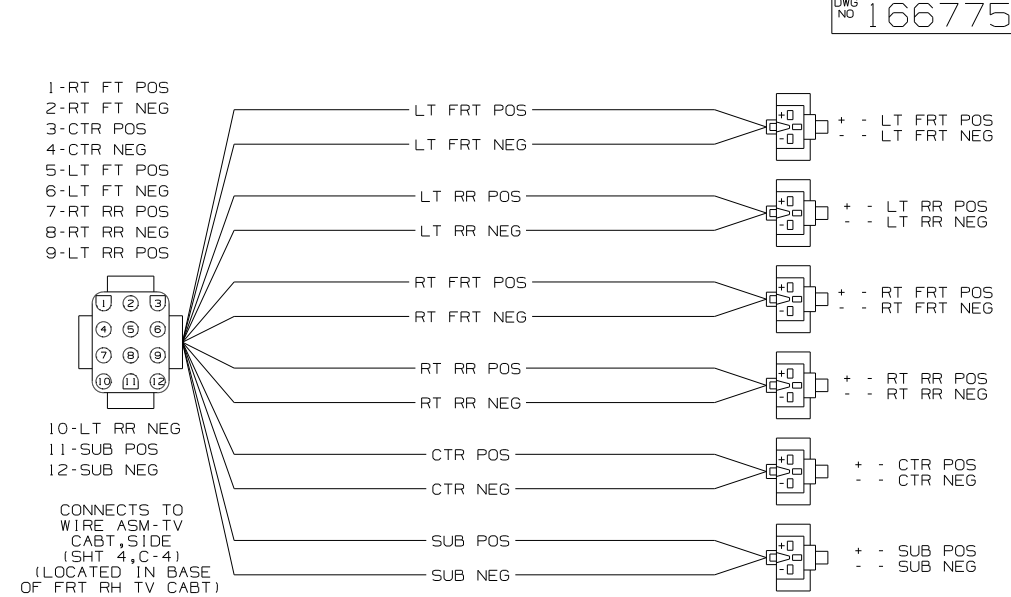
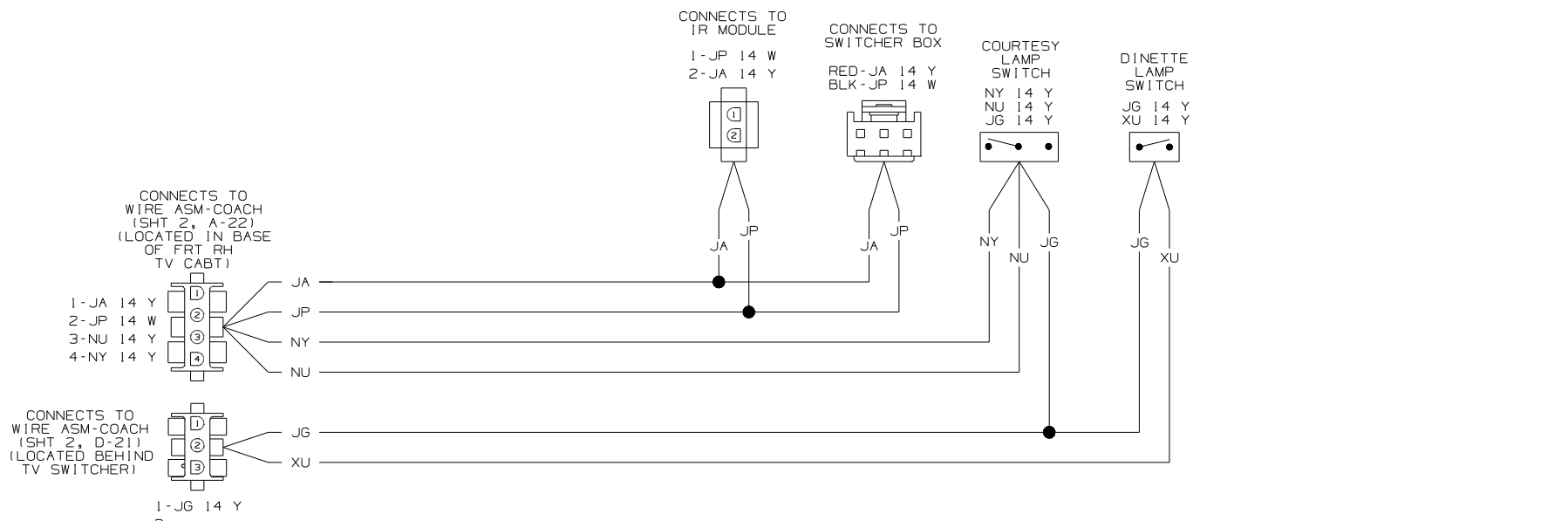


- 5 SEE WIRING DIAGRAM AUTO FOR ADDITIONAL INFORMATION.
 - 4 SEE MANUFACTURER'S DIAGRAM FOR ADDITIONAL INFORMATION.
 - 3 GROUNDS ARE SHOWN AS A SINGLE LINE FOR EASE IN TRACING. EACH GROUND CIRCUIT IS SEPERATE IN THE HARNESS.
 - 2 NOT A SPLICE POINT. INDICATES ENTRY INTO WIRING HARNESS.
- NOTES:
1. SPLICES ARE THEORETICAL AND MAY DIFFER IN THE HARNESS.

CONNECTS TO WIRE ASM-COACH (SHT 2, D-39) (LOCATED ABOVE PANTRY)

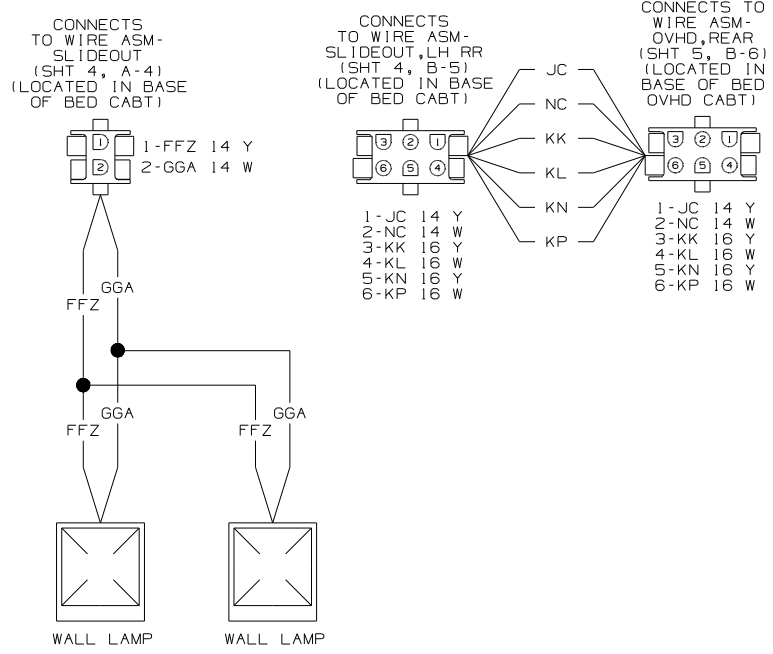
1-JA 14 Y	9-JJV 14 Y
2-PC 14 Y	10-FFY 14 Y
3-JC 14 Y	11-KKZ 14 W
4-PG 14 Y	12-A 14 Y
5-WX 14 Y	13-PL 14 Y
6-HHA 14 Y	14-GR 14 Y
7-KH 14 Y	15-GS 14 Y
8-KG 14 Y	



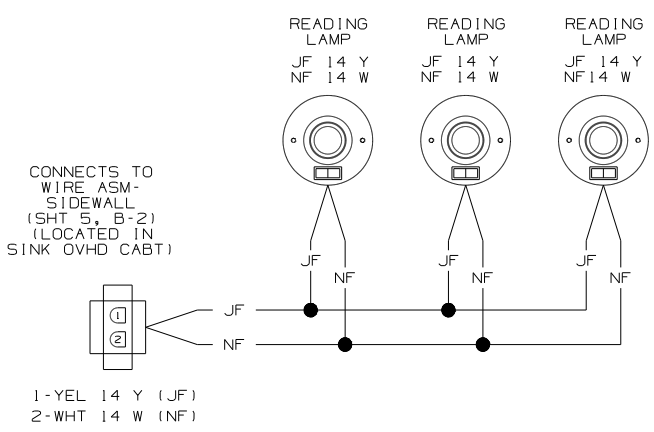


NOTES:
1. SPLICES ARE THEORETICAL AND MAY DIFFER IN THE HARNESS.

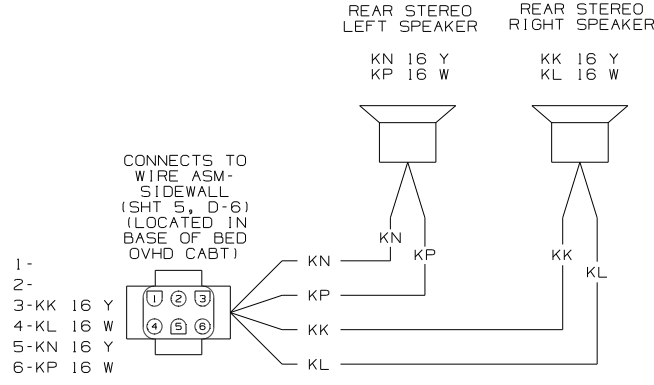
FIRST USED	09 R40FD
TITLE:	DO NOT SCALE DRAWING
TITLE:	WIRING DIAGRAM-BODY, 12V
SHEET 4	PART NO 166775



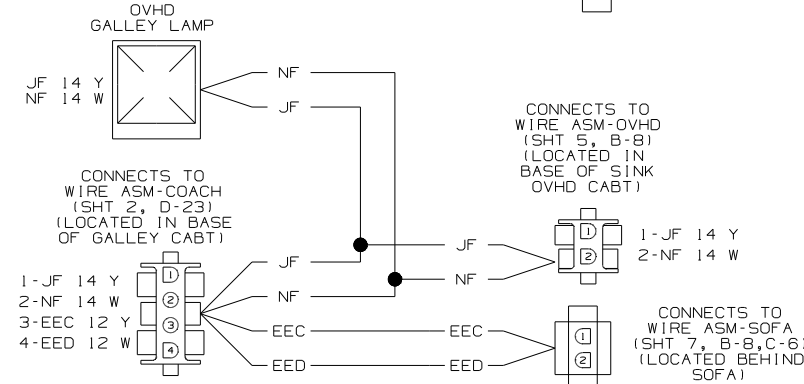
WIRING DIAGRAM SIDEWALL (WIRE ASM 166922 REV-A)



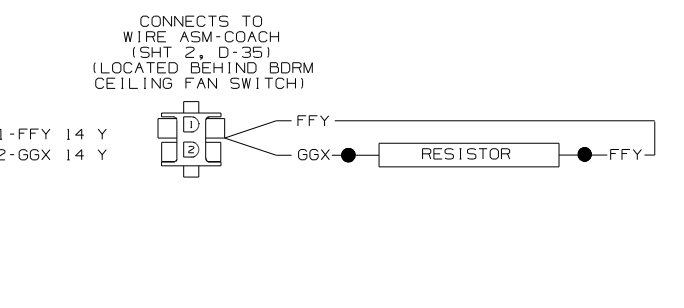
WIRING DIAGRAM-OVHD (WIRE ASM 139779-05 REV-A)



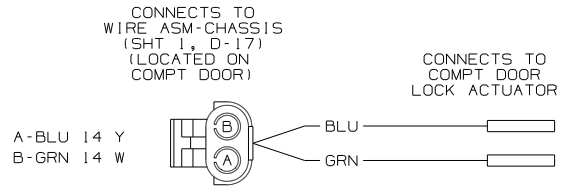
WIRING DIAGRAM-OVHD, REAR (WIRE ASM 167991 REV-B)



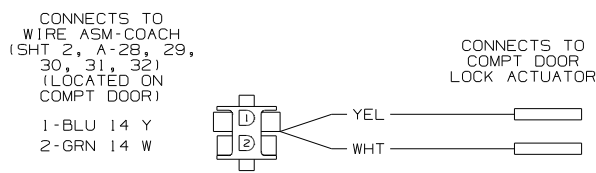
WIRING DIAGRAM SIDEWALL (WIRE ASM 162574 REV-D)



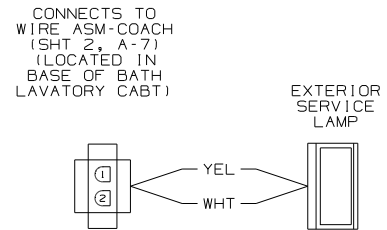
WIRING DIAGRAM-RESISTOR, FAN (WIRE ASM 140195 REV-A)



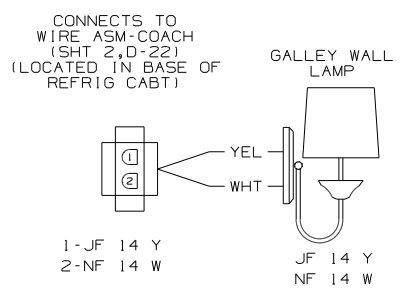
WIRING DIAGRAM-LOCK, COMPT DOORS (WIRE ASM 135834-03 REV-J)



WIRING DIAGRAM-LOCK, COMPT DOORS (WIRE ASM 135834-02 REV-J)



WIRING DIAGRAM-EXTENSION, 2 PIN (WIRE ASM 133572-01 REV-G)



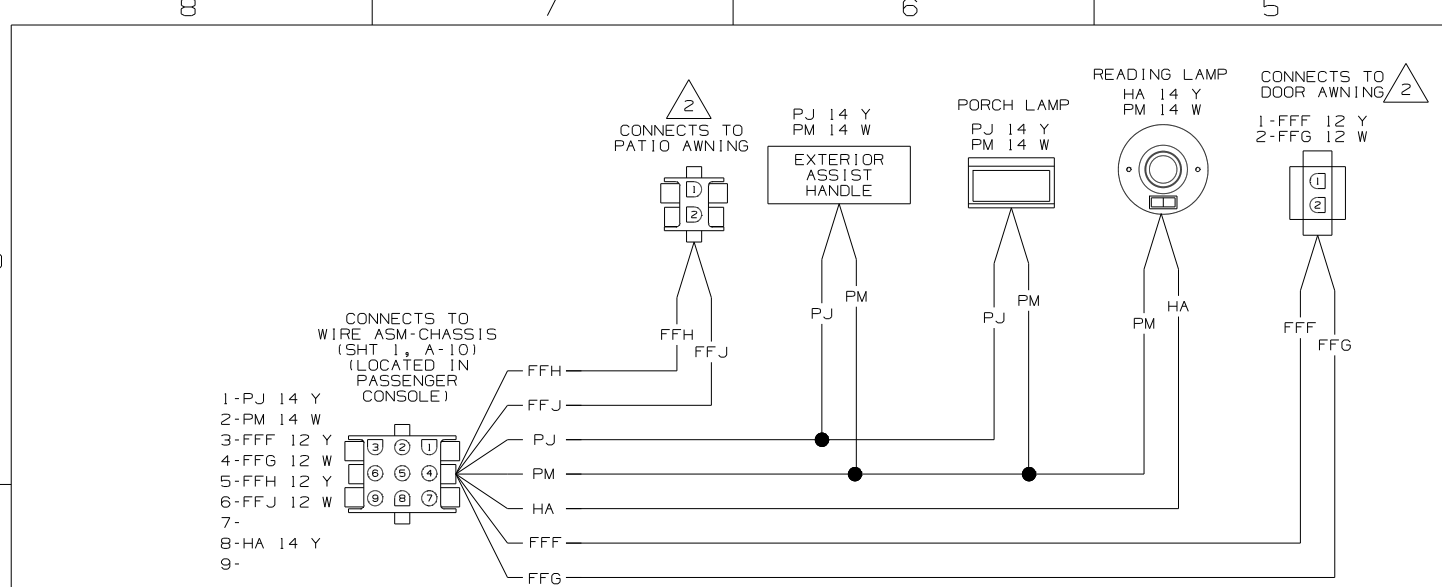
WIRING DIAGRAM-EXTENSION, 2 PIN (WIRE ASM 133572-01 REV-G)

SEE MANUFACTURERS DIAGRAM FOR ADDITIONAL INFORMATION.

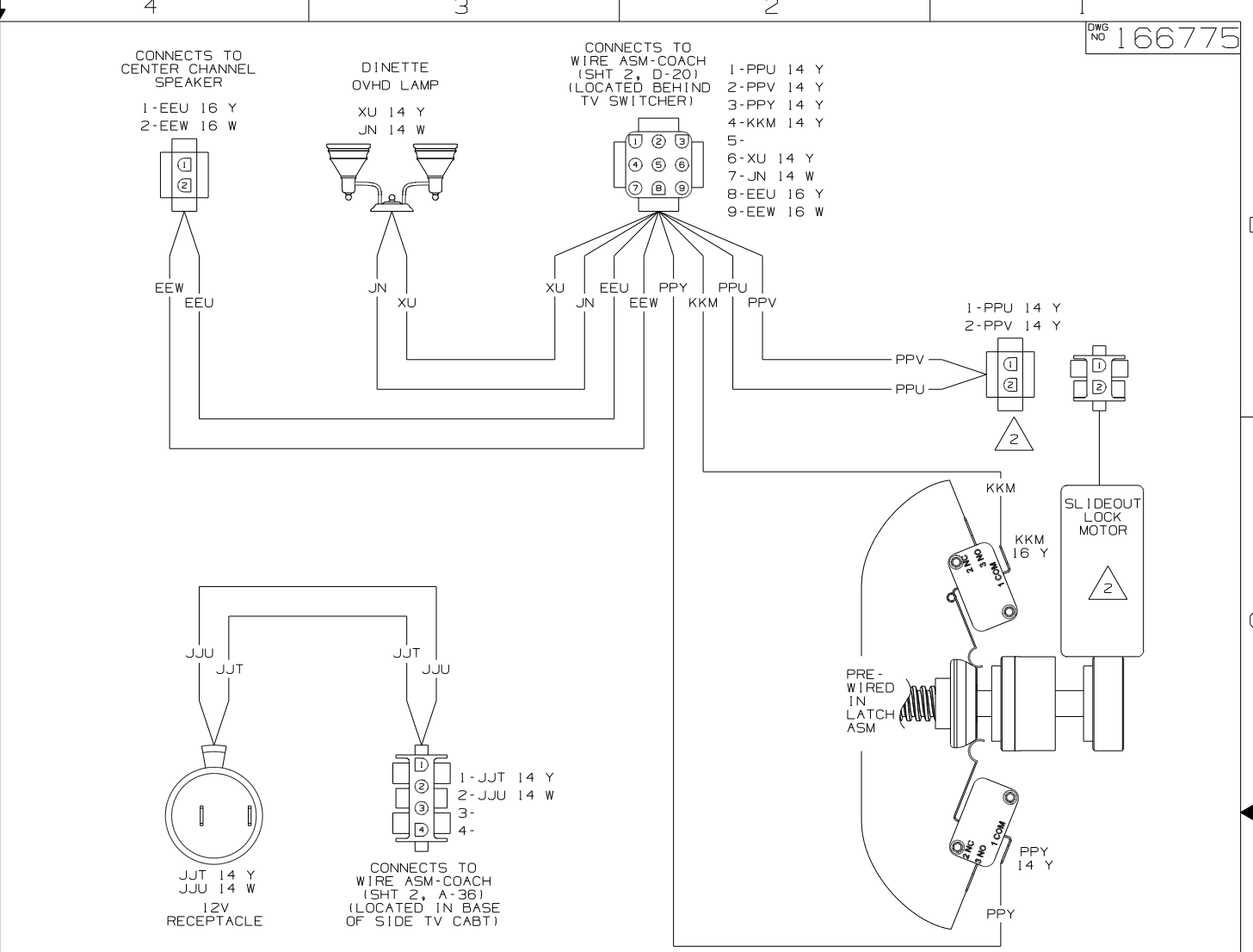
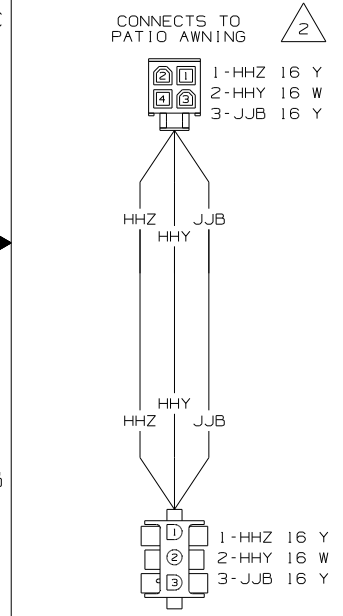
1. SPLICES ARE THEORETICAL AND MAY DIFFER IN THE HARNESS.

NOTES:

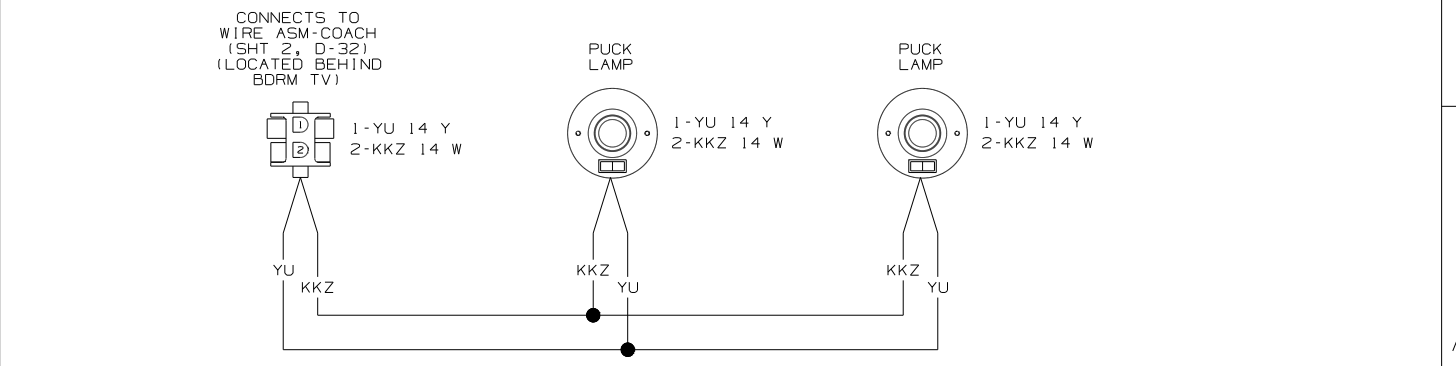
FIRST USED	
09 R40FD	
DO NOT SCALE DRAWING	
TITLE: WIRING DIAGRAM-BODY, 12V	
SHEET 5	PART NO 166775 REV



WIRING DIAGRAM SIDEWALL
(WIRE ASM 166864-02 REV-F)



WIRING DIAGRAM SIDEWALL
(WIRE ASM 166932 REV-A)

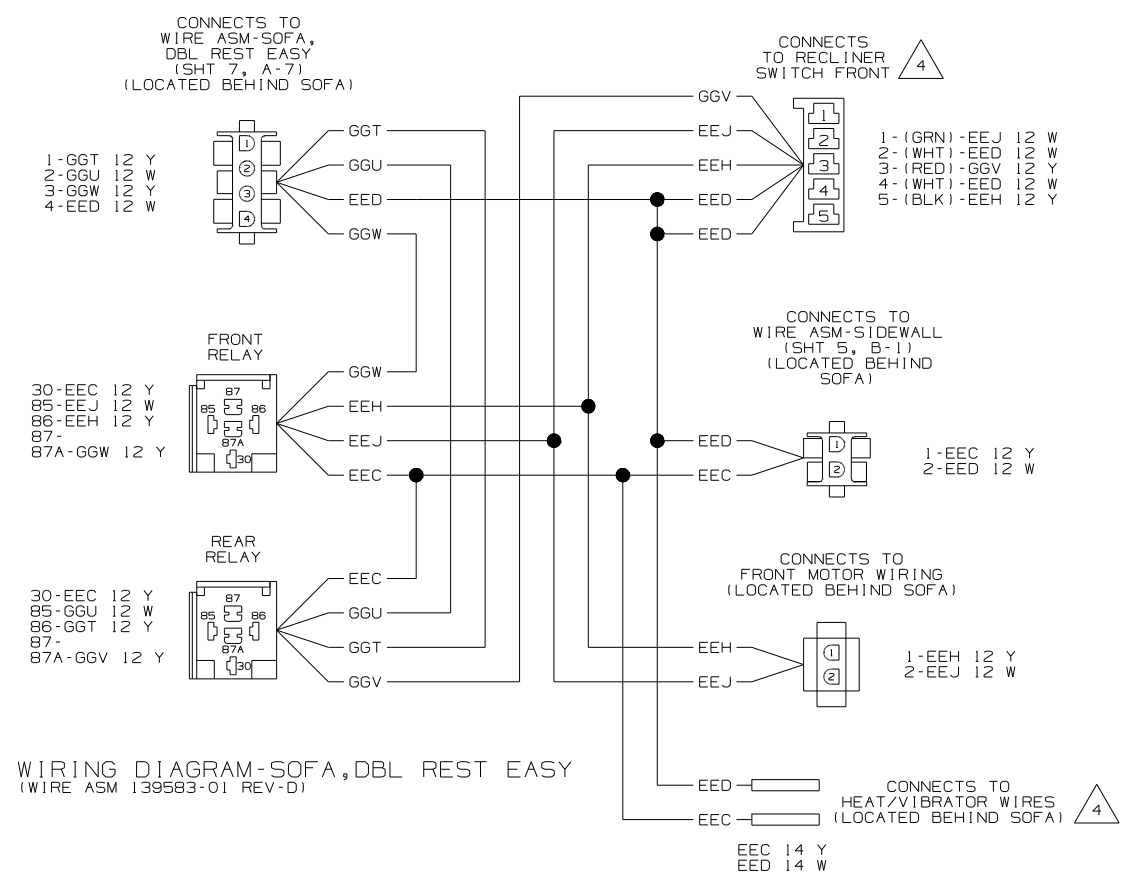


WIRING DIAGRAM-SLIDEOUT ROOF
(WIRE ASM 155317-01 REV-C)

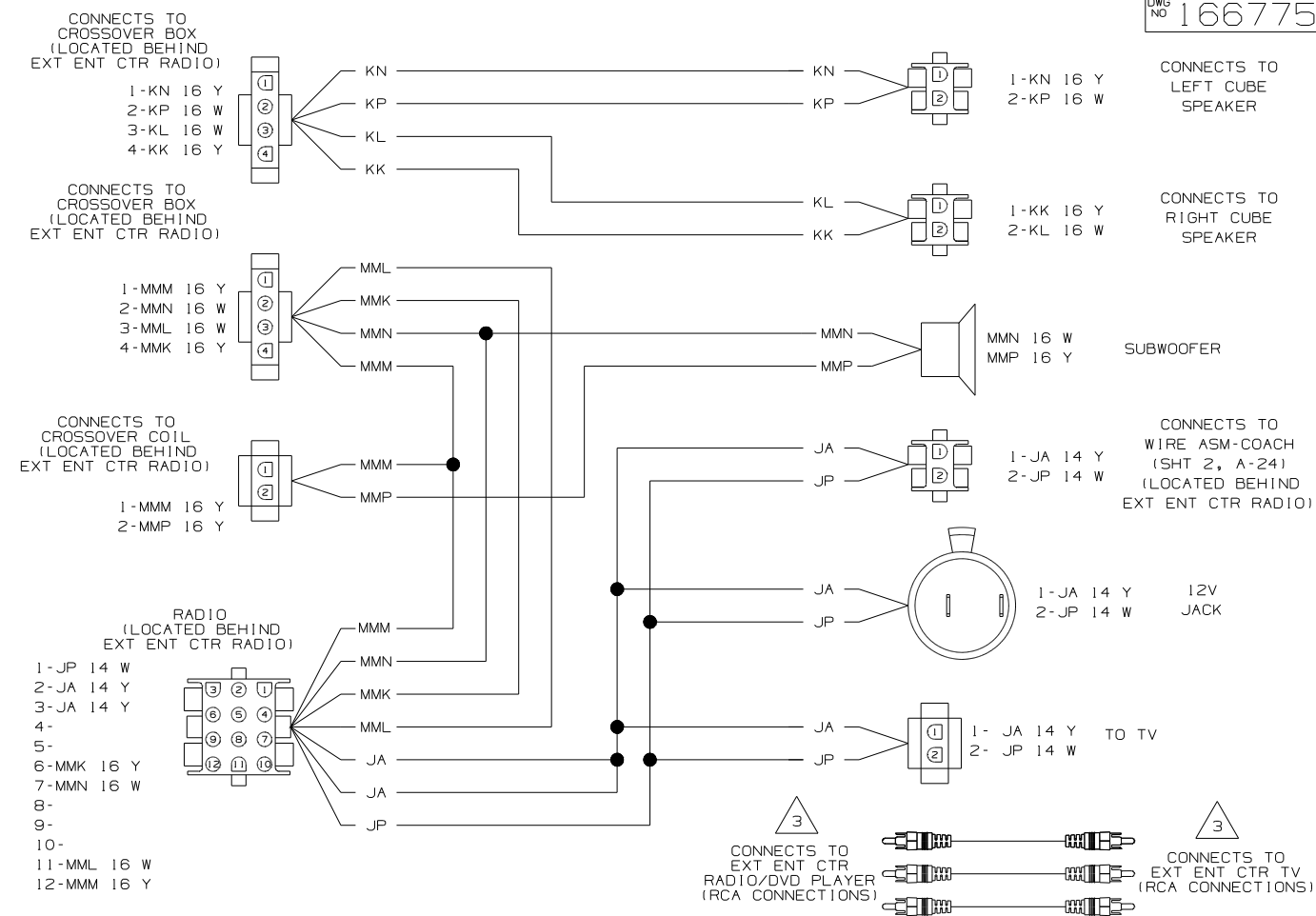
SEE MANUFACTURERS DIAGRAM FOR ADDITIONAL INFORMATION.

1. SPLICES ARE THEORETICAL AND MAY DIFFER IN THE HARNESS.

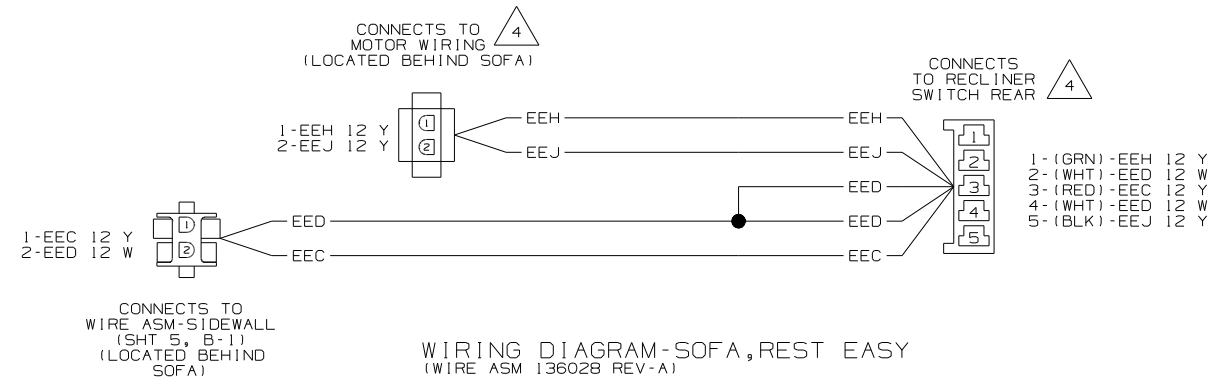
FIRST USED	09 R40FD		
TITLE	DO NOT SCALE DRAWING		
	WIRING DIAGRAM-BODY, 12V		
SHEET 6	PART NO	166775	REV



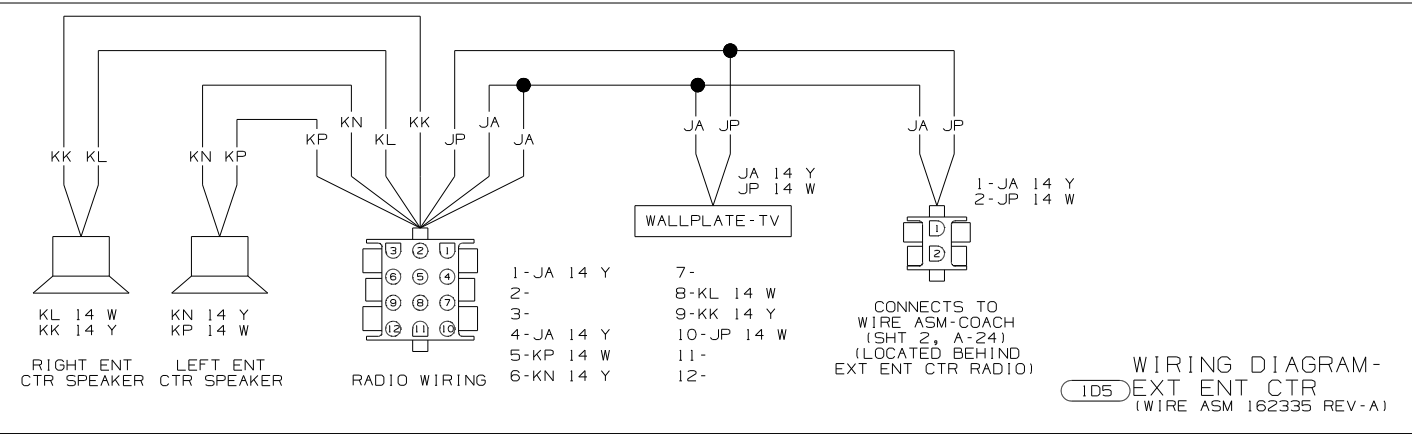
WIRING DIAGRAM-SOFA, DBL REST EASY (WIRE ASM 139583-01 REV-D)



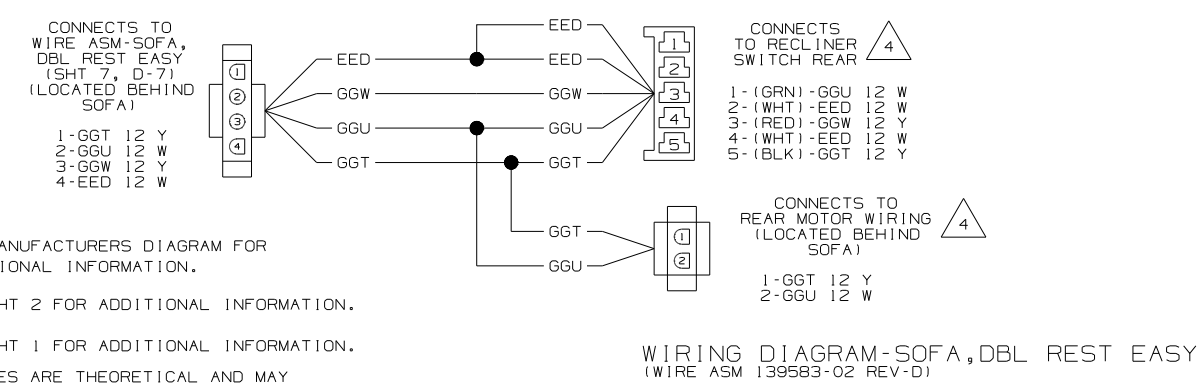
WIRING DIAGRAM-ENTERTAINMENT CENTER (WIRE ASM 159059-01 REV-J)



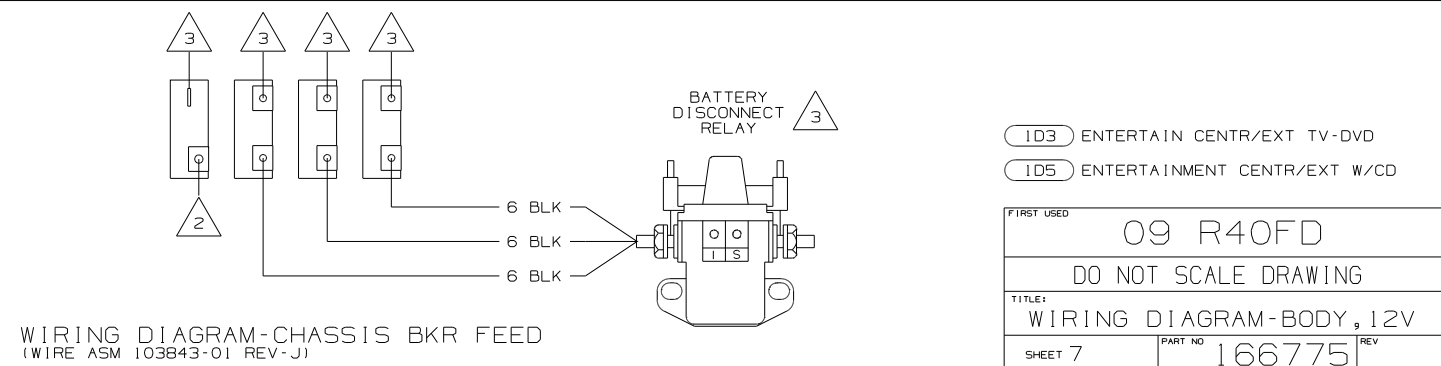
WIRING DIAGRAM-SOFA, REST EASY (WIRE ASM 136028 REV-A)



WIRING DIAGRAM-EXT ENT CTR (WIRE ASM 162335 REV-A)



WIRING DIAGRAM-SOFA, DBL REST EASY (WIRE ASM 139583-02 REV-D)



WIRING DIAGRAM-CHASSIS BKR FEED (WIRE ASM 103843-01 REV-J)

1D3	ENTERTAIN CTR/EXT TV-DVD
1D5	ENTERTAINMENT CTR/EXT W/CD
FIRST USED	
09 R40FD	
DO NOT SCALE DRAWING	
TITLE:	
WIRING DIAGRAM-BODY, 12V	
SHEET 7	PART NO 166775 REV

NOTES:

4 SEE MANUFACTURERS DIAGRAM FOR ADDITIONAL INFORMATION.

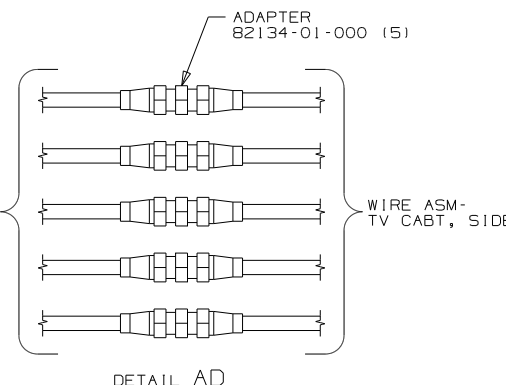
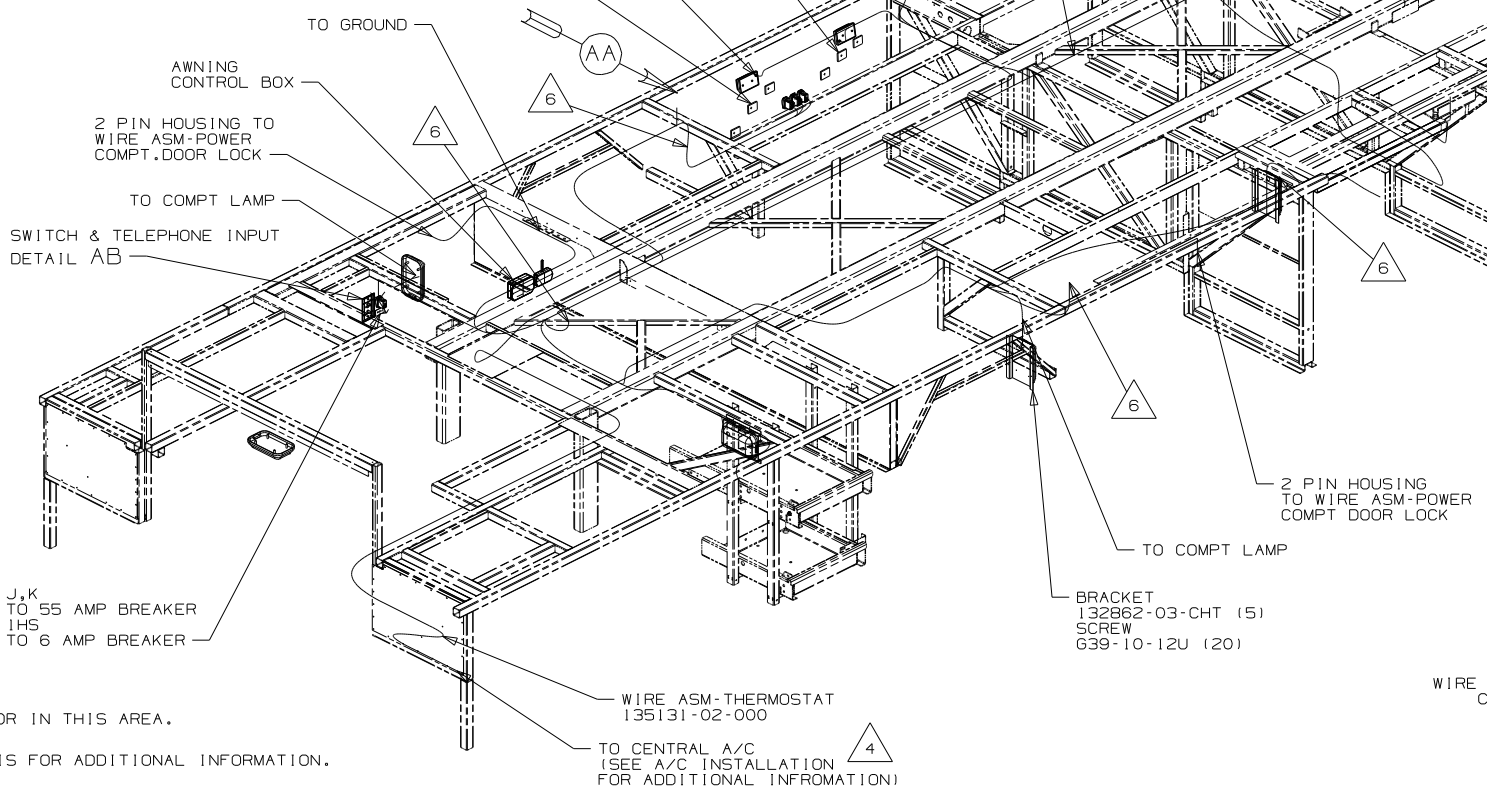
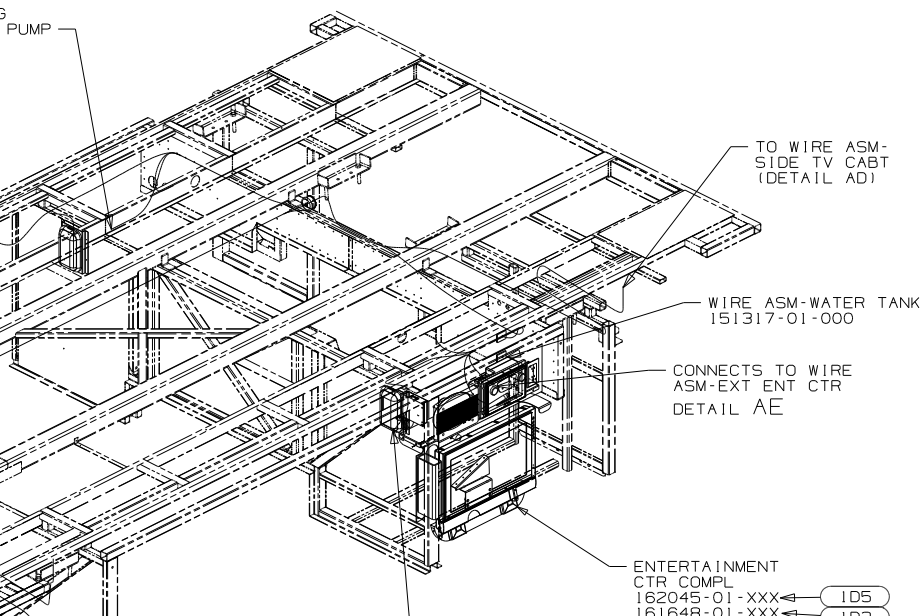
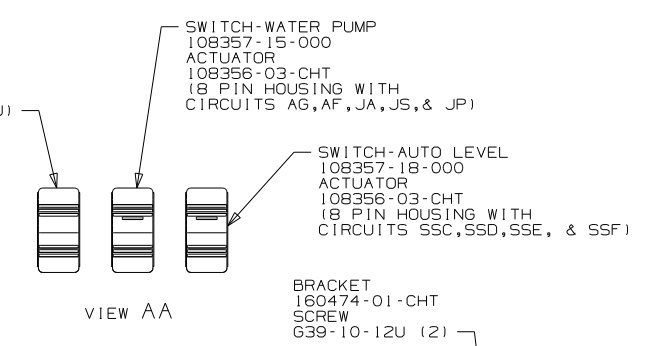
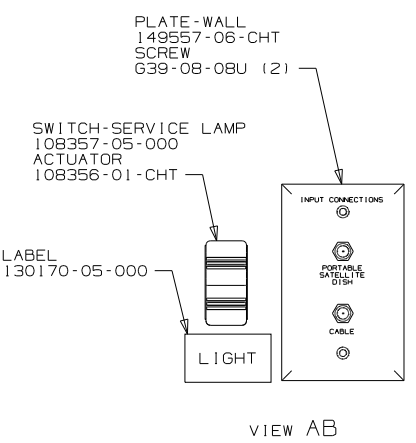
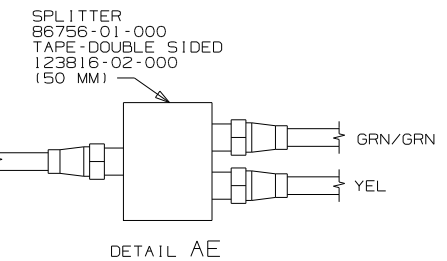
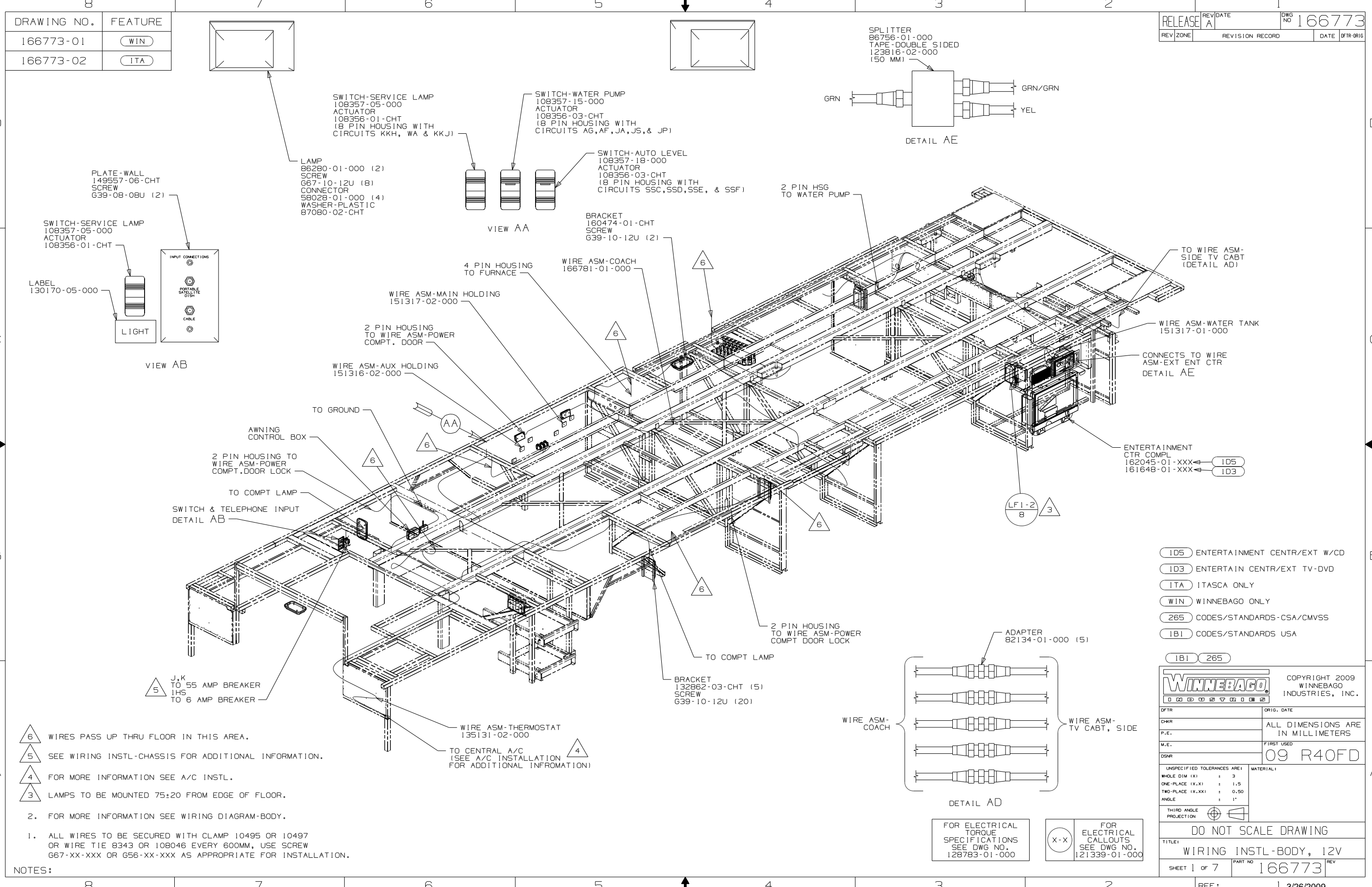
3 SEE SHT 2 FOR ADDITIONAL INFORMATION.

2 SEE SHT 1 FOR ADDITIONAL INFORMATION.

1. SPLICES ARE THEORETICAL AND MAY DIFFER IN THE HARNESS.

DRAWING NO.	FEATURE
166773-01	(WIN)
166773-02	(ITA)

RELEASE	REV/DATE	DWG NO
	A	166773
REV ZONE	REVISION RECORD	DATE
		DFTR-016

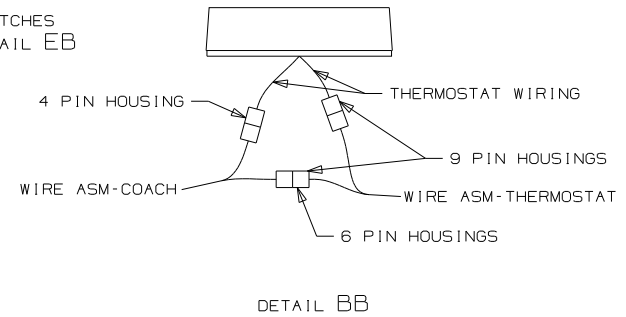
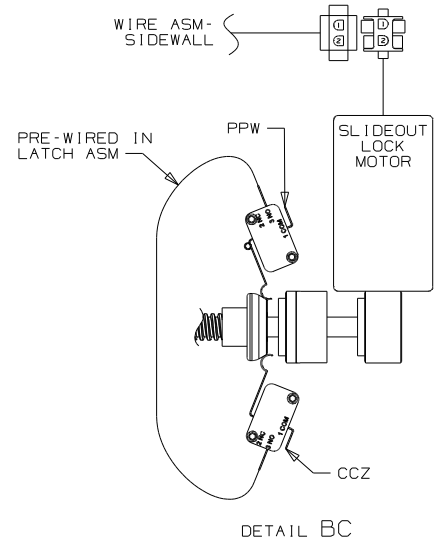
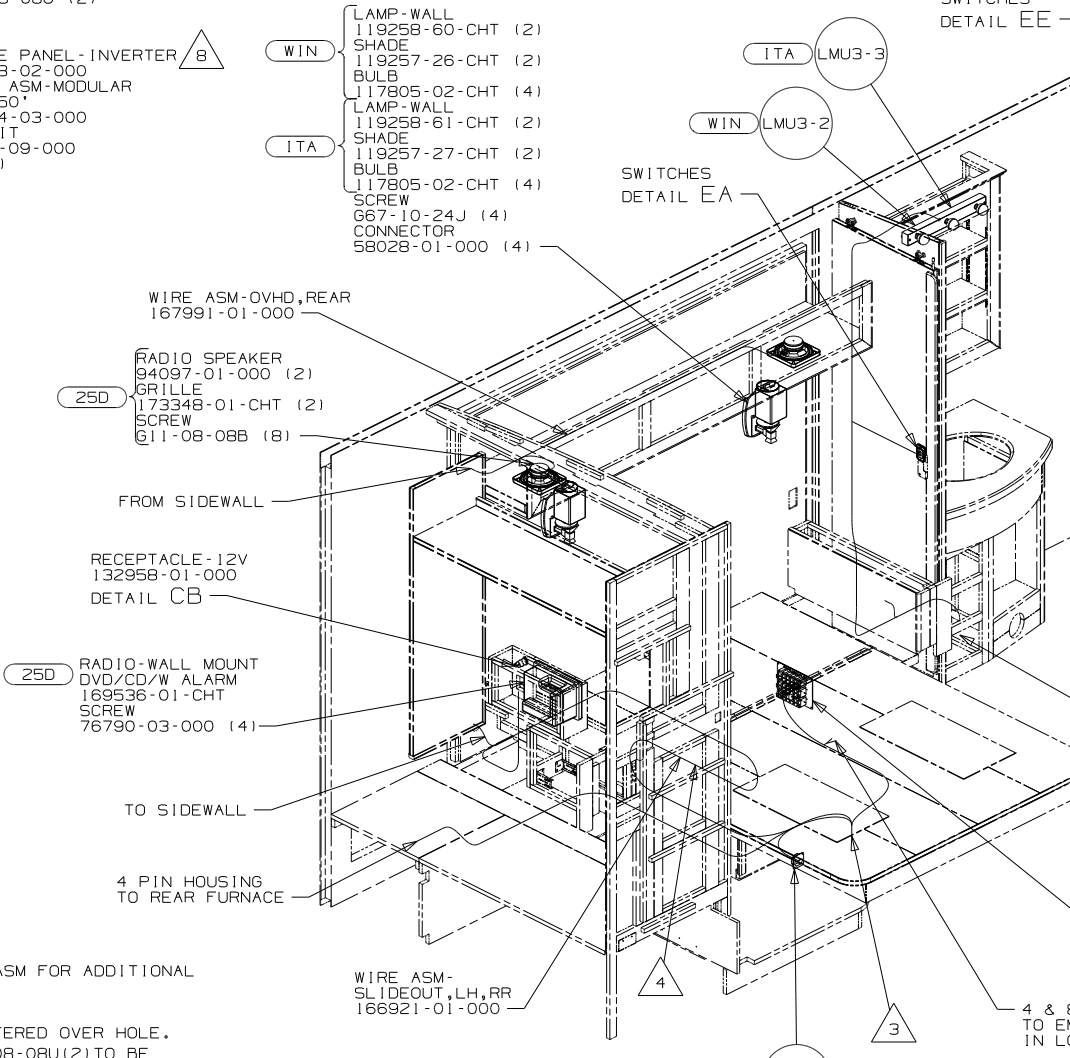
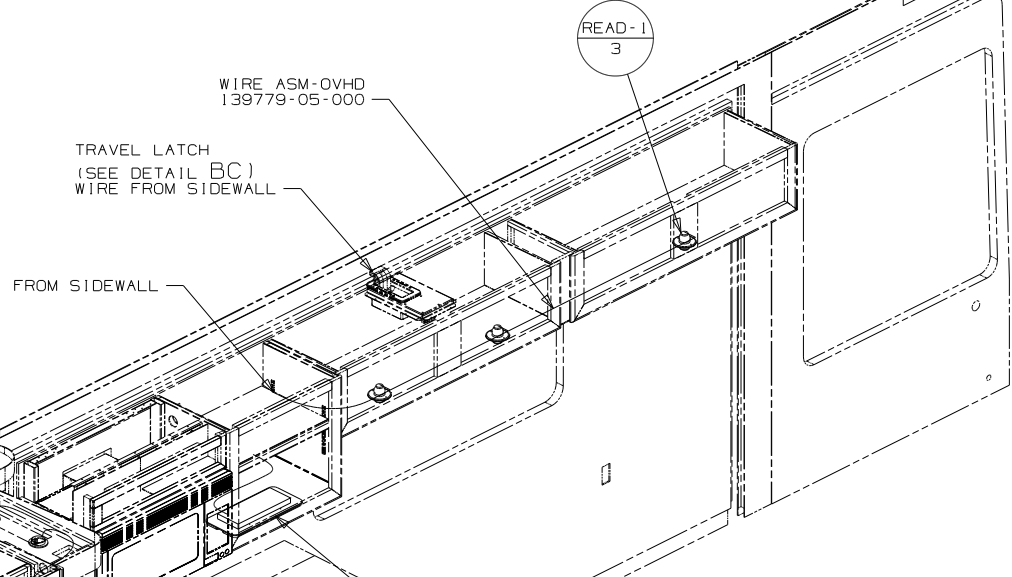
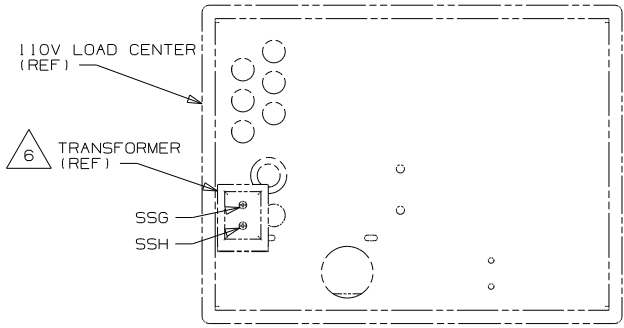
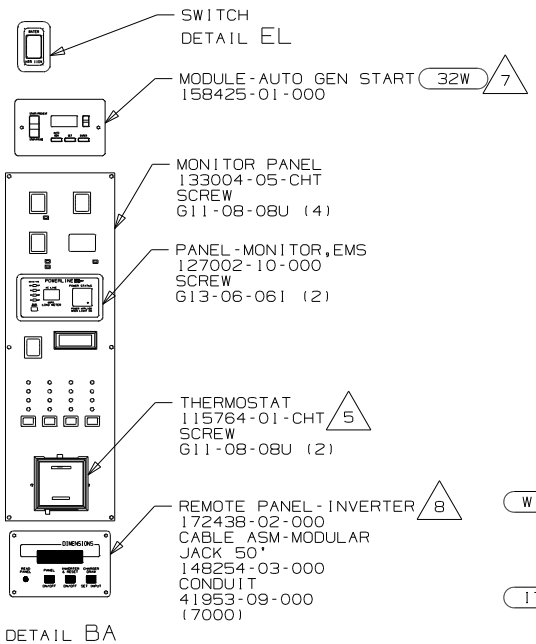


- (ID5) ENTERTAINMENT CENTR/EXT W/CD
- (ID3) ENTERTAINMENT CENTR/EXT TV-DVD
- (ITA) ITASCA ONLY
- (WIN) WINNEBAGO ONLY
- (265) CODES/STANDARDS-CSA/CMVSS
- (1B1) CODES/STANDARDS USA

WINNEBAGO		COPYRIGHT 2009 WINNEBAGO INDUSTRIES, INC.	
DFTR	ORIG. DATE	ALL DIMENSIONS ARE IN MILLIMETERS	
CHKR		FIRST USED	
P.E.		09 R40FD	
M.E.		UNSPECIFIED TOLERANCES ARE:	
DSNR		MATERIAL:	
		WHOLE DIM (X)	: 3
		ONE-PLACE (X.X)	: 1.5
		TWO-PLACE (X.XX)	: 0.50
		ANGLE	: 1°
THIRD ANGLE PROJECTION			
DO NOT SCALE DRAWING			
TITLE: WIRING INSTL-BODY, 12V			
SHEET 1 OF 7	PART NO	166773	
REF:	1 3/26/2009		

- 6 WIRES PASS UP THRU FLOOR IN THIS AREA.
 - 5 SEE WIRING INSTL-CHASSIS FOR ADDITIONAL INFORMATION.
 - 4 FOR MORE INFORMATION SEE A/C INSTL.
 - 3 LAMPS TO BE MOUNTED 75±20 FROM EDGE OF FLOOR.
2. FOR MORE INFORMATION SEE WIRING DIAGRAM-BODY.
1. ALL WIRES TO BE SECURED WITH CLAMP 10495 OR 10497 OR WIRE TIE 8343 OR 108046 EVERY 600MM, USE SCREW 667-XX-XXX OR 656-XX-XXX AS APPROPRIATE FOR INSTALLATION.

NOTES:



- 6 SEE LOAD CENTER/ATS ASM FOR ADDITIONAL INFORMATION
- 5 THERMOSTAT TO BE CENTERED OVER HOLE. BLACK SCREW P/N G11-08-08U(2) TO BE PLACED IN BOTH HOLES.
- 4 SEE WIRING INSTL-BODY,110V FOR ROUTING AND CLAMPING INFORMATION.
- 3 WIRES PASS UP THRU FLOOR IN THIS AREA.
2. SEE WIRING DIAGRAM-BODY FOR ADDITIONAL INFORMATION.
1. ALL WIRES TO BE SECURED WITH CLAMP 10495 OR 10497 OR WIRE TIE 8343 OR 108046 EVERY 600MM, USE SCREW G67-XX-XXX OR G56-XX-XXX AS APPROPRIATE FOR INSTALLATION.

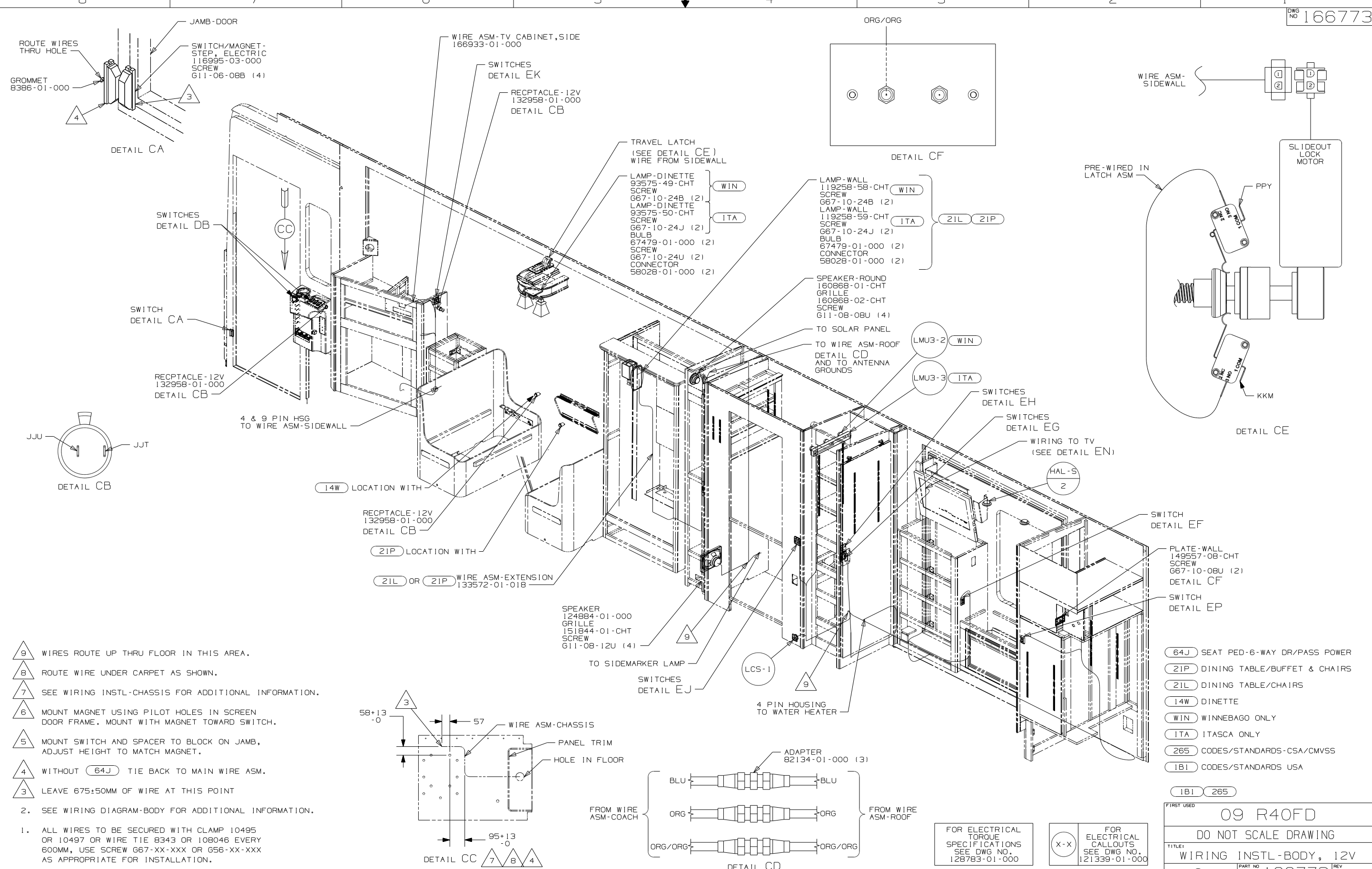
- 7 UPON FIRST POWER-UP, THE DISPLAY PANEL WILL PROMPT FOR "GEN TYPE". USE THE ARROW KEYS AND SCROLL TO "OD 6/8" AND PRESS ENTER. NEXT, IT WILL PROMPT FOR "SAFE TYPE". USE THE ARROW KEYS TO SCROLL TO "IGNITION" AND PRESS ENTER. SEE OWNER'S MANUAL FOR ADDITION INFORMATION.
- 9 INSTALL GASKET ON BACK SIDE OF ONE PLACE AFTER INSTALLATION OF THERMOSTAT, MAKING SURE THAT THE GASKET COVERS AND SEALS THE HOLE THAT THE WIRES PASS THROUGH
- 8 CONNECT CIRCUIT WB FROM COACH WIRING TO RED WIRE ON REMOTE PANEL.

FOR ELECTRICAL TORQUE SPECIFICATIONS SEE DWG NO. 128783-01-000

FOR ELECTRICAL CALLOUTS SEE DWG NO. 121339-01-000

- 32W GENERATOR-START,AUTO SYSTEM
- 25D STEREO SYSTEM/W/CD/DVD REAR
- WIN WINNEBAGO ONLY
- ITA ITASCA ONLY
- 265 CODES/STANDARDS-CSA/CMVSS
- 1B1 CODES/STANDARDS USA

FIRST USED	09 R40FD
DO NOT SCALE DRAWING	
TITLE:	WIRING INSTL-BODY, 12V
SHEET 2	PART NO 166773
REV	



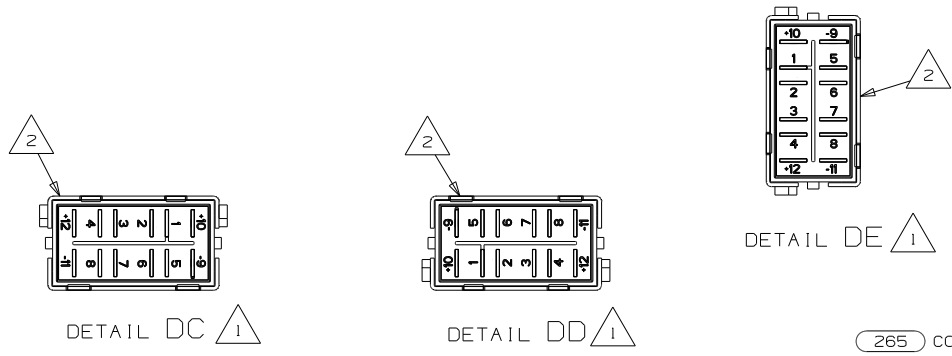
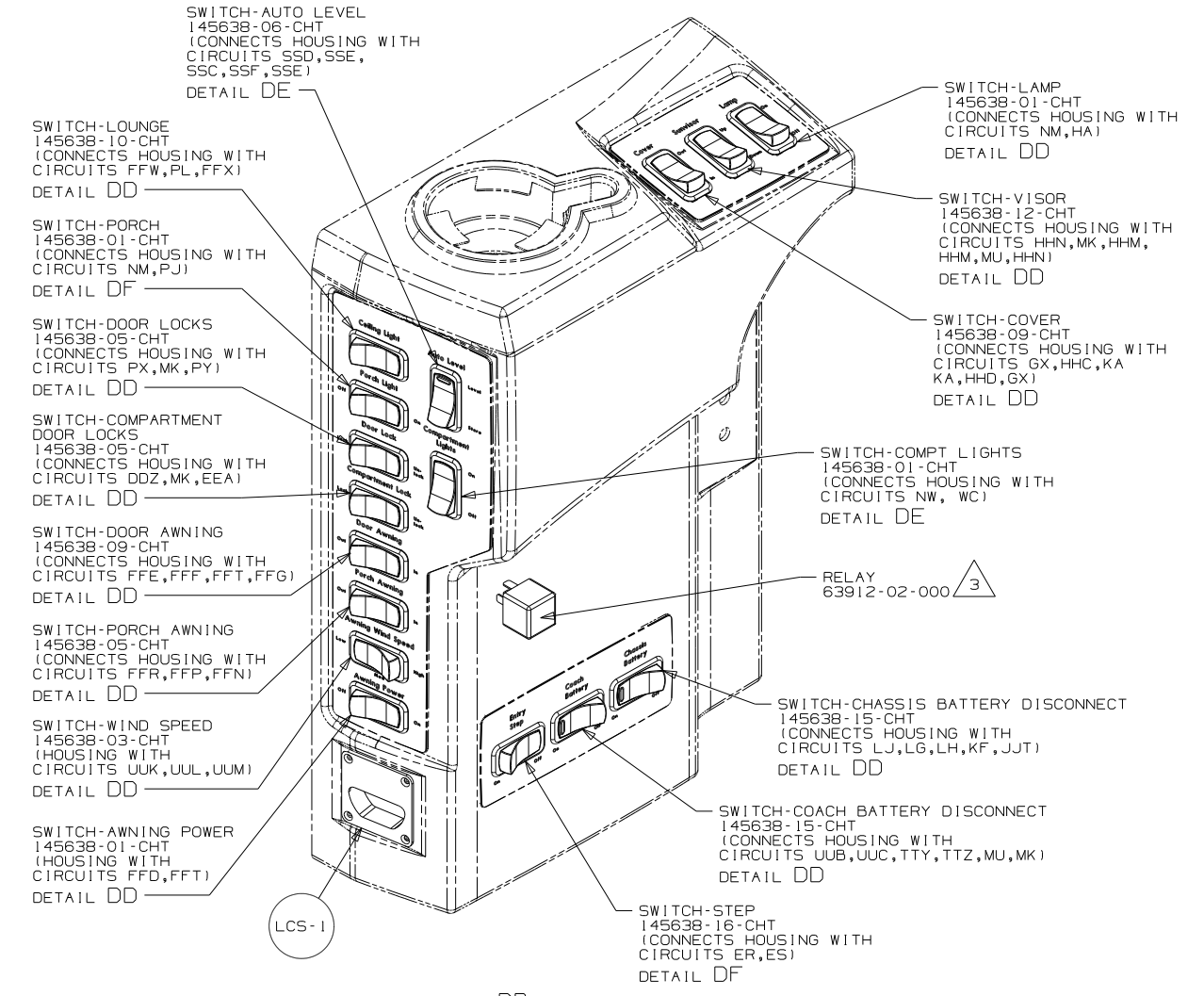
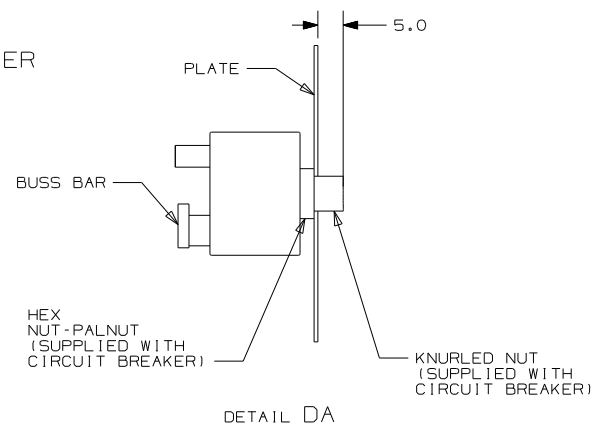
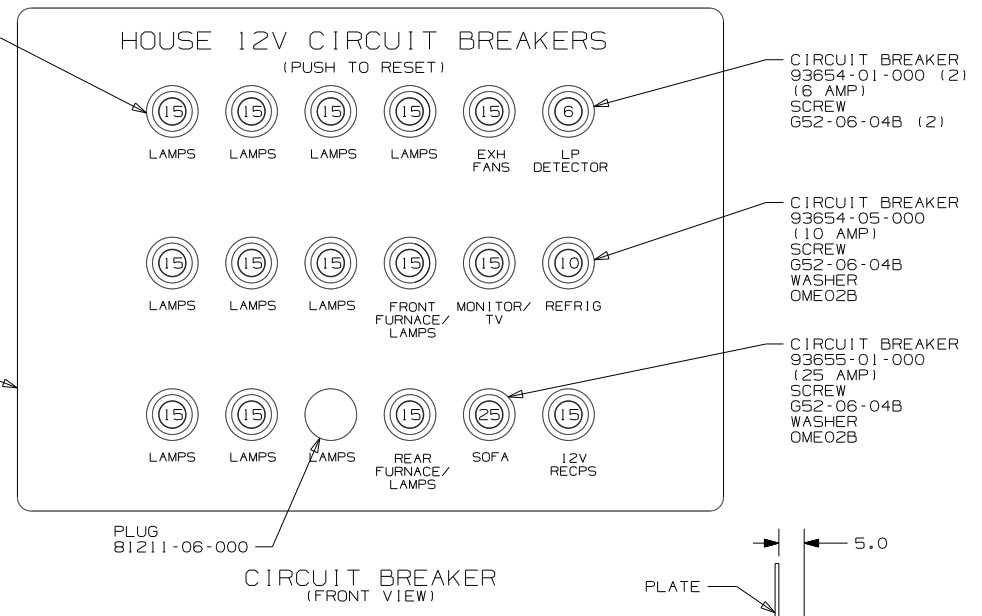
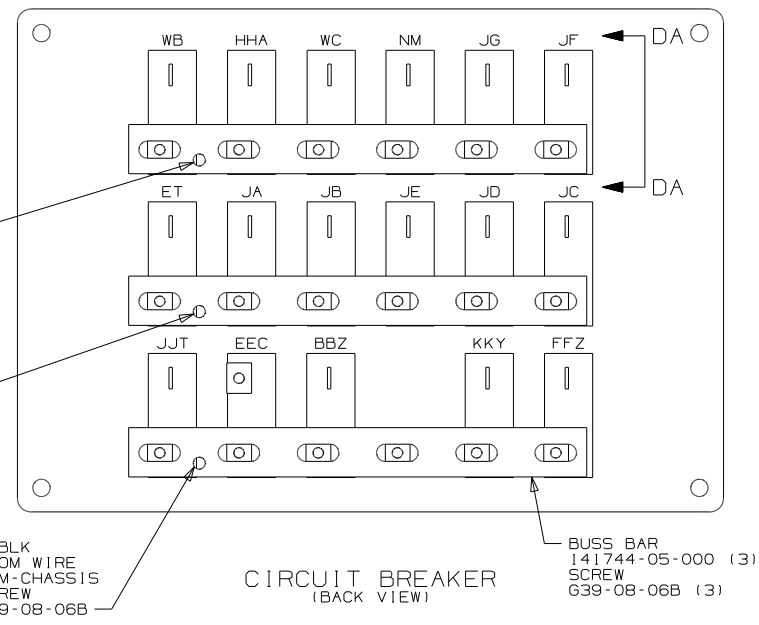
- NOTES:
1. ALL WIRES TO BE SECURED WITH CLAMP 10495 OR 10497 OR WIRE TIE 8343 OR 108046 EVERY 600MM, USE SCREW G67-XX-XXX OR G56-XX-XXX AS APPROPRIATE FOR INSTALLATION.
 2. SEE WIRING DIAGRAM-BODY FOR ADDITIONAL INFORMATION.
 3. LEAVE 675±50MM OF WIRE AT THIS POINT
 4. WITHOUT (64J) TIE BACK TO MAIN WIRE ASM.
 5. MOUNT SWITCH AND SPACER TO BLOCK ON JAMB, ADJUST HEIGHT TO MATCH MAGNET.
 6. MOUNT MAGNET USING PILOT HOLES IN SCREEN DOOR FRAME. MOUNT WITH MAGNET TOWARD SWITCH.
 7. SEE WIRING INSTL-CHASSIS FOR ADDITIONAL INFORMATION.
 8. ROUTE WIRE UNDER CARPET AS SHOWN.
 9. WIRES ROUTE UP THRU FLOOR IN THIS AREA.

- (64J) SEAT PED-6-WAY DR/PASS POWER
- (2IP) DINING TABLE/BUFFET & CHAIRS
- (2IL) DINING TABLE/CHAIRS
- (14W) DINETTE
- (WIN) WINNEBAGO ONLY
- (ITA) ITASCA ONLY
- (265) CODES/STANDARDS-CSA/CMVSS
- (IB1) CODES/STANDARDS USA

FIRST USED	
09 R40FD	
DO NOT SCALE DRAWING	
TITLE: WIRING INSTL-BODY, 12V	
SHEET 3	PART NO 166773

FOR ELECTRICAL TORQUE SPECIFICATIONS SEE DWG NO. 128783-01-000

FOR ELECTRICAL CALLOUTS SEE DWG NO. 121339-01-000

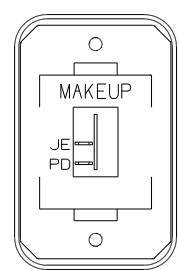


- NOTES:**
- 3 SCREW RELAY HOUSING TO SIDEWALL WITH SCREW G11-10-12U.
 - 2 WITH SWITCH INSTALLED, THIS SIDE OF SWITCH WILL FACE THE SIDEWALL
 - 1 DETAIL IS LOOKING AT SWITCH FROM THE BACKSIDE OF THE SWITCH.

FOR ELECTRICAL TORQUE SPECIFICATIONS SEE DWG NO. 128783-01-000

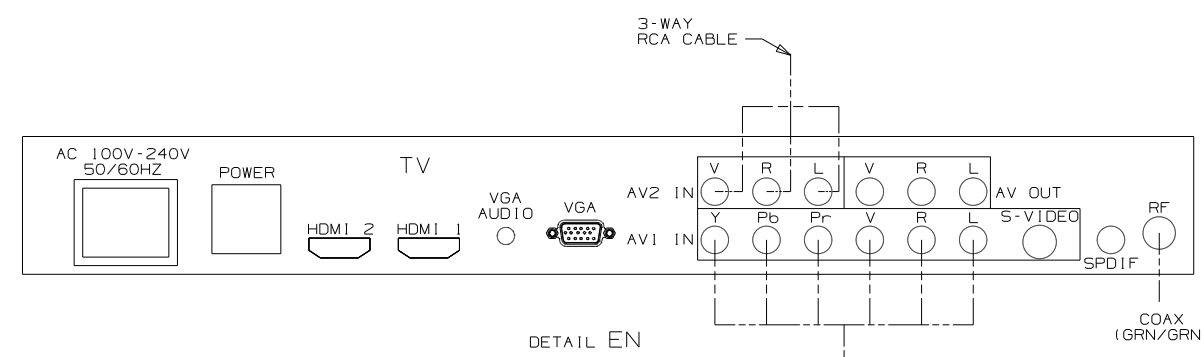
X-X FOR ELECTRICAL CALLOUTS SEE DWG NO. 121339-01-000

265	CODES/STANDARDS-CSA/CMVSS
1B1	CODES/STANDARDS USA
1B1	265
FIRST USED	09 R40FD
TITLE:	DO NOT SCALE DRAWING
	WIRING INSTL-BODY, 12V
SHEET 4	PART NO 166773 REV

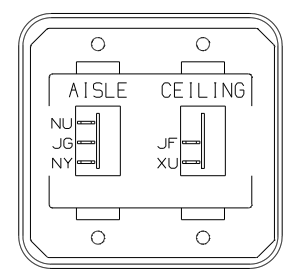


SWITCH-ROCKER
135740-01-CHT
SWITCH-BASE
135741-01-CHT
SWITCH-BEZEL
135742-08-CHT
SCREW
G11-08-08U (2)

DETAIL EA

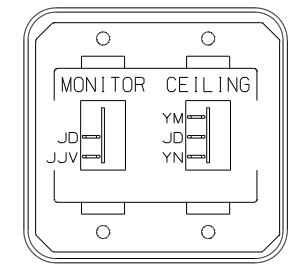


DETAIL EN



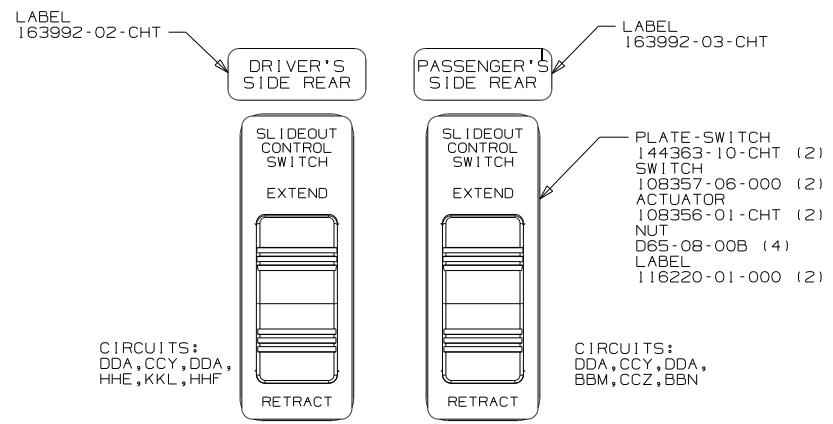
SWITCH-ROCKER
135740-01-CHT
135740-02-CHT
SWITCH-BASE
135741-02-CHT
SWITCH-BEZEL
135742-13-CHT
SCREW
G11-08-08U (4)

DETAIL EK

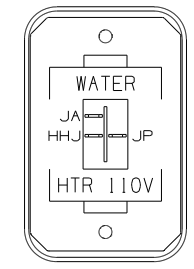


SWITCH-ROCKER
135740-01-CHT
135740-02-CHT
SWITCH-BASE
135741-02-CHT
SWITCH-BEZEL
135742-31-CHT
SCREW
G11-08-08U (4)

DETAIL EB

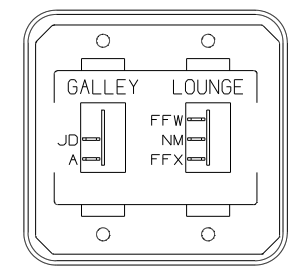


DETAIL EE



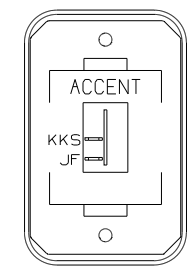
SWITCH-ROCKER
135740-06-CHT
SWITCH-BASE
135741-01-CHT
SWITCH-BEZEL
135742-35-CHT
SCREW
G11-08-08U (2)

DETAIL EL



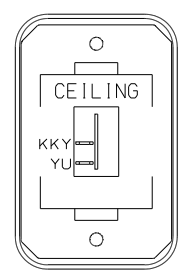
SWITCH-ROCKER
135740-01-CHT
135740-02-CHT
SWITCH-BASE
135741-02-CHT
SWITCH-BEZEL
135742-18-CHT
SCREW
G11-08-08U (4)

DETAIL EC



SWITCH-ROCKER
135740-01-CHT
SWITCH-BASE
135741-01-CHT
SWITCH-BEZEL
135742-50-CHT
SCREW
G11-08-08U (2)

DETAIL EM

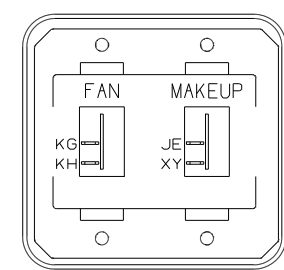


SWITCH-ROCKER
135740-01-CHT
SWITCH-BASE
135741-01-CHT
SWITCH-BEZEL
135742-07-CHT
SCREW
G11-08-08U (2)

DETAIL EF

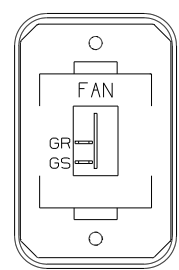
WARNING
CRUSH HAZARD. Keep people and objects clear of the inside and outside of the slideout room when operating. Failure to comply could result in death or serious injury.

LABEL-WARNING
116549-02-000



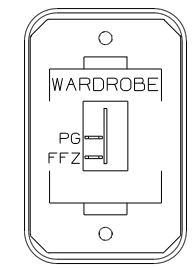
SWITCH-ROCKER
135740-01-CHT (2)
SWITCH-BASE
135741-02-CHT
SWITCH-BEZEL
135742-38-CHT
SCREW
G11-08-08U (4)

DETAIL EJ



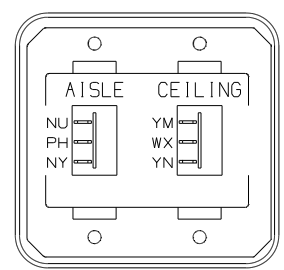
SWITCH-ROCKER
135740-01-CHT
SWITCH-BASE
135741-01-CHT
SWITCH-BEZEL
135742-12-CHT
SCREW
G11-08-08U (2)

DETAIL ED



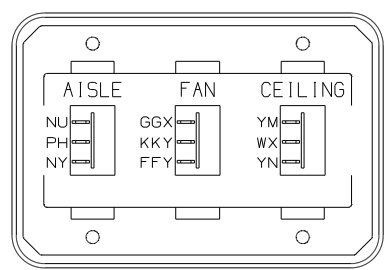
SWITCH-ROCKER
135740-01-CHT
SWITCH-BASE
135741-01-CHT
SWITCH-BEZEL
135742-01-CHT
SCREW
G11-08-08U (2)

DETAIL EP



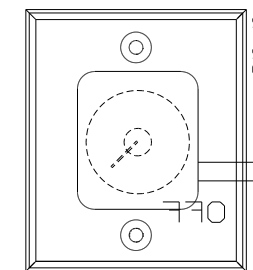
SWITCH-ROCKER
135740-02-CHT (2)
SWITCH-BASE
135741-02-CHT
SWITCH-BEZEL
135742-13-CHT
SCREW
G11-08-08U (4)

DETAIL EG (412)



SWITCH-ROCKER
135740-02-CHT (2)
135740-04-CHT
SWITCH-BASE
135741-03-CHT
SWITCH-BEZEL
135742-23-CHT
SCREW
G11-08-08U (4)
WIRE ASM-RESISTOR
140195-01-000

DETAIL EG (41Y)



SWITCH
137889-01-000
SCREW
G11-06-10U (2)

DETAIL EH

FOR ELECTRICAL TORQUE SPECIFICATIONS SEE DWG NO. 128783-01-000

FOR ELECTRICAL CALLOUTS SEE DWG NO. 121339-01-000

- (41Y) FAN - CEILING_BEDROOM
- (412) DECORATIVE LIGHT - CEILING
- (265) CODES/STANDARDS-CSA/CMVSS
- (1B1) CODES/STANDARDS USA

FIRST USED	
09 R40FD	
DO NOT SCALE DRAWING	
TITLE: WIRING INSTL-BODY, 12V	
SHEET 5	PART NO 166773

CONNECT WIRE ASM-RESISTOR, FAN TO 2-PIN HOUSING LOCATED BY THE SWITCH WIRES.

NOTES:

8

7

6

5

4

3

2

1

D

D

C

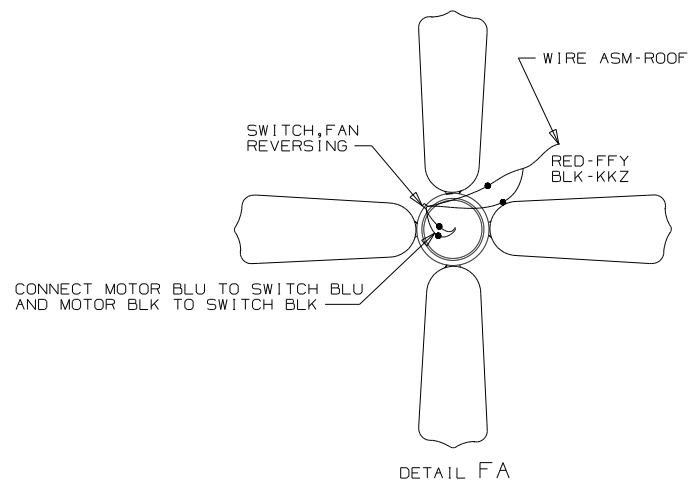
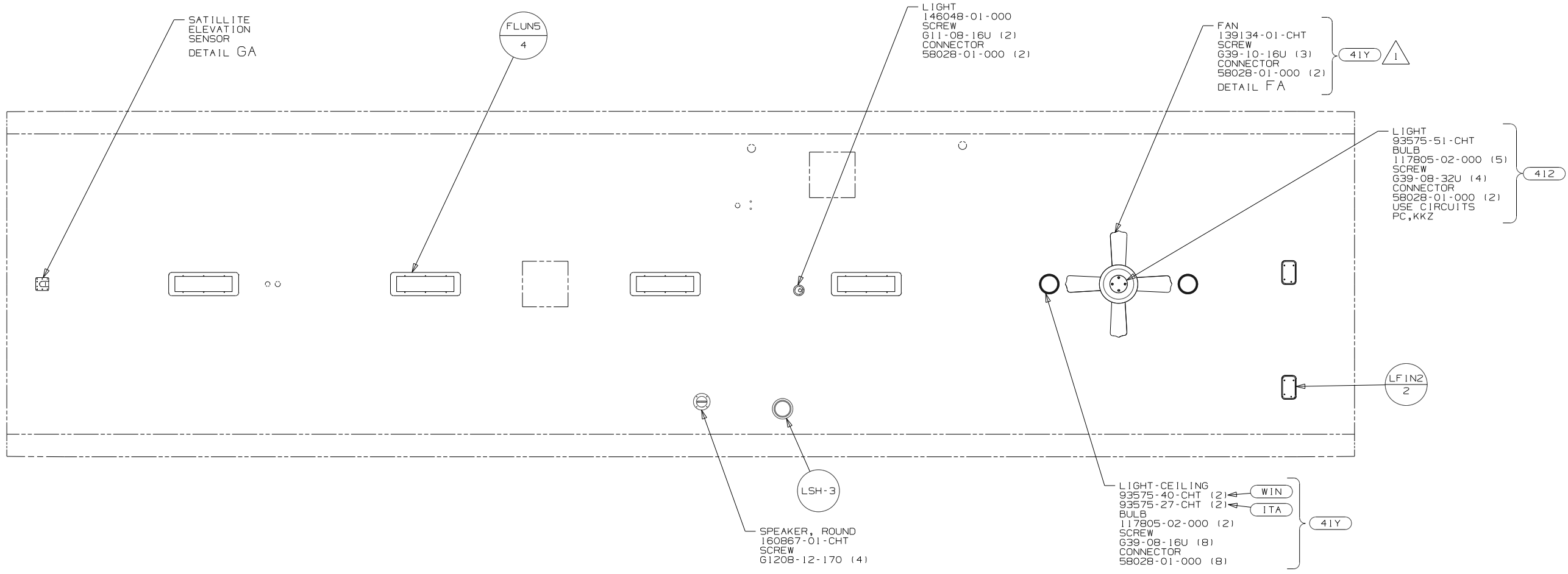
C

B

B

A

A



NOTES:

1 APPLY LOCTITE P/N 62917-06-000 TO FAN BLADE MOUNTING NUT THREADS.

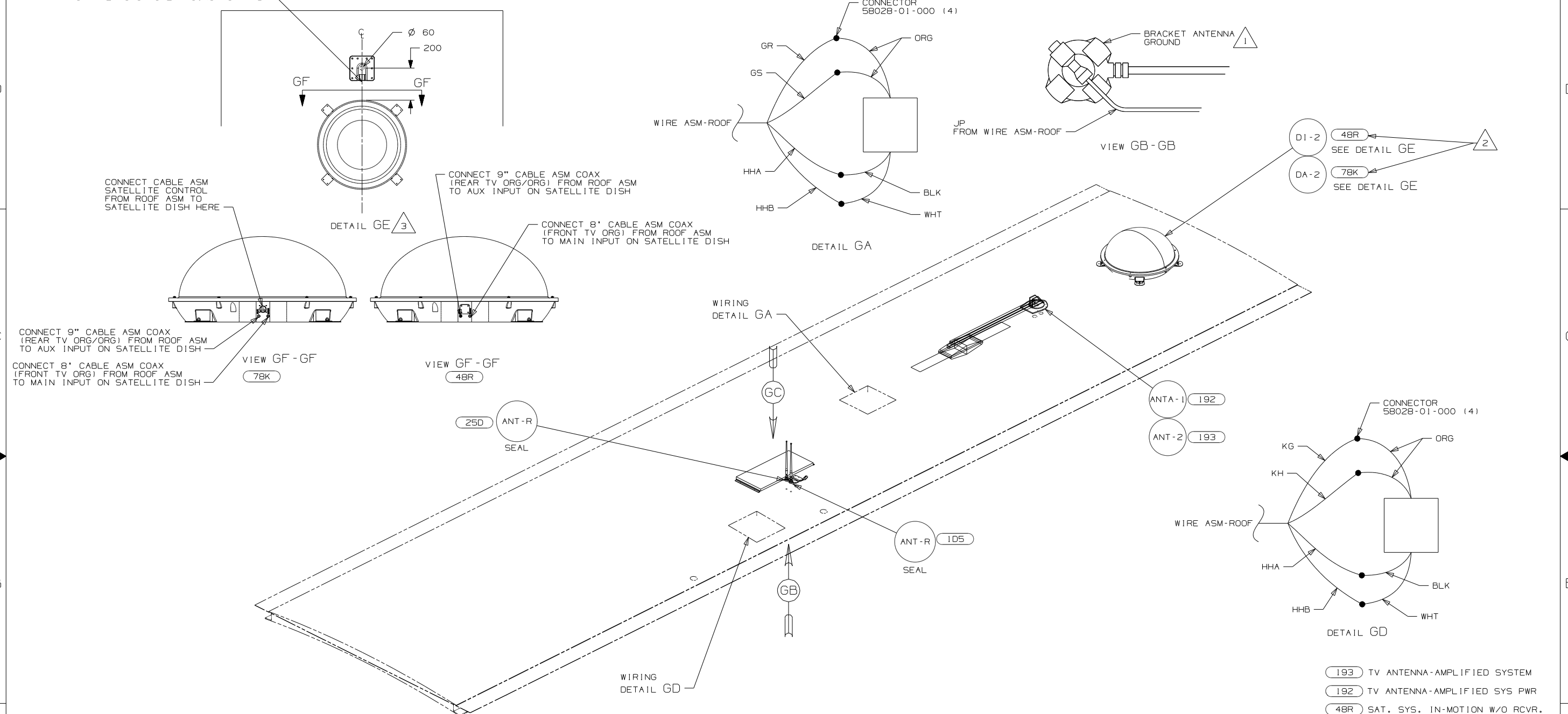
FOR ELECTRICAL TORQUE SPECIFICATIONS SEE DWG NO. 128783-01-000

FOR ELECTRICAL CALLOUTS SEE DWG NO. 121339-01-000

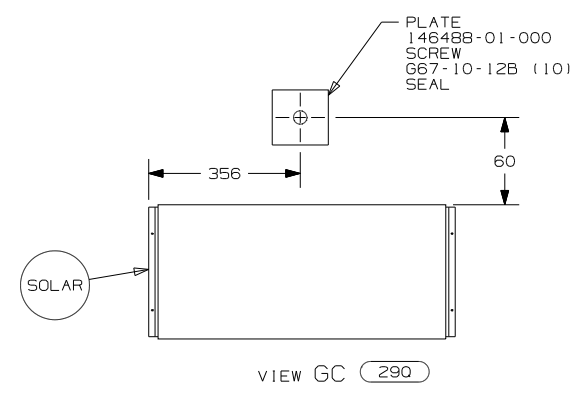
- 412 DECORATIVE LIGHT - CEILING
- 41Y FAN - CEILING_BEDROOM
- 265 CODES/STANDARDS-CSA/CMVSS
- 1B1 CODES/STANDARDS USA

FIRST USED	09 R40FD	
TITLE	DO NOT SCALE DRAWING	
TITLE	WIRING INSTL-BODY, 12V	
SHEET 6	PART NO	166773
	REV	

THE SATELLITE DISH WIRE CONNECTIONS ARE TO BE PLACED ON THE CENTERLINE OF THE MOTORHOME FACING FORWARD



- NOTES:
- 3 REMOVE ALL SHIPPING RESTRAINTS AND FIRMLY INSERT THE SUPPLIED PLUGS INTO THE APPROPRIATE SIZED HOLES AS SPECIFIED IN THE INSTALLATION PROCESS.
 - 2 SEE MANUFACTURER'S INSTALLATION FOR ADDITIONAL INFORMATION.
 - 1 WRAP BRACKET LEGS AROUND ANTENNA BASE.

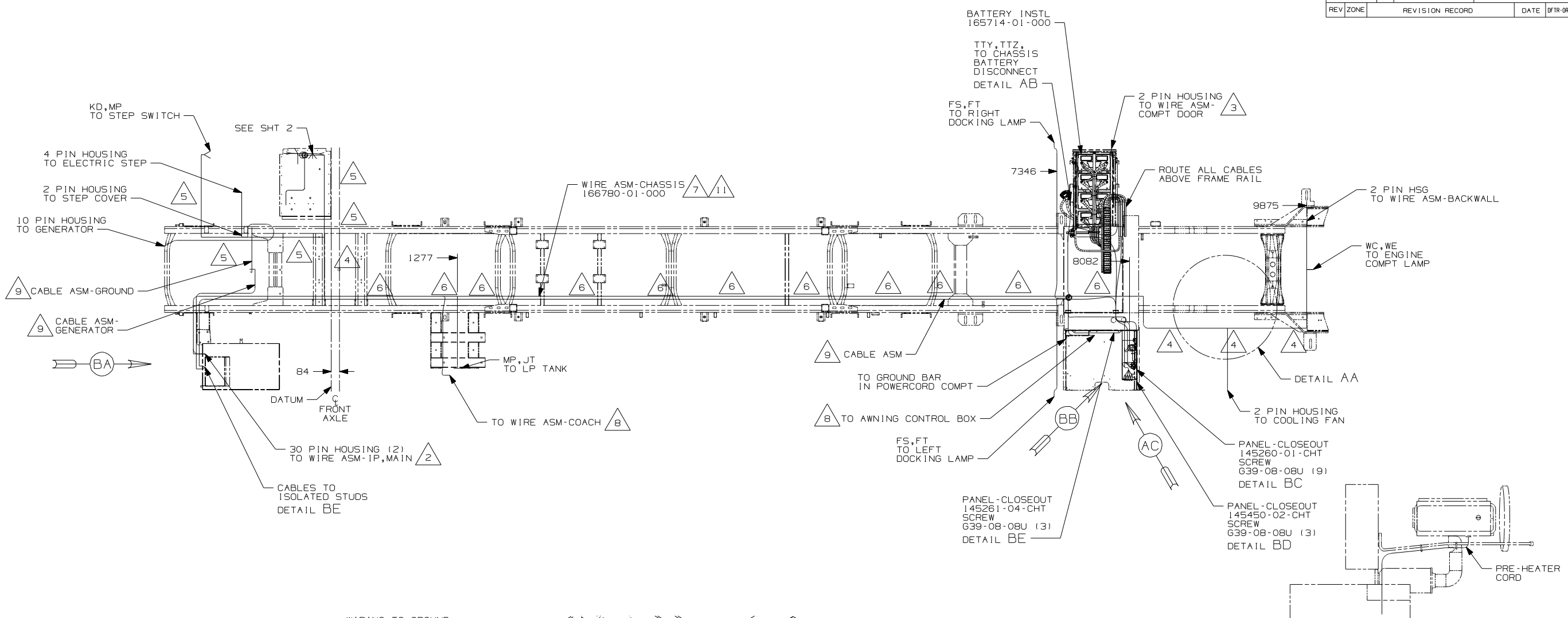


FOR ELECTRICAL TORQUE SPECIFICATIONS SEE DWG NO. 128783-01-000

FOR ELECTRICAL CALLOUTS SEE DWG NO. 121339-01-000

- 193 TV ANTENNA-AMPLIFIED SYSTEM
- 192 TV ANTENNA-AMPLIFIED SYS PWR
- 48R SAT. SYS. IN-MOTION W/O RCVR.
- 290 SOLAR PANEL - 10 WATT
- 25D STEREO SYSTEM/W/CD/DVD REAR
- 105 ENTERTAINMENT CTR/EXT W/CD
- 78K SATELLITE DISH-AUTOMATIC
- 265 CODES/STANDARDS-CSA/CMVSS
- 1B1 CODES/STANDARDS USA

FIRST USED	
09 R40FD	
DO NOT SCALE DRAWING	
TITLE: WIRING INSTL-BODY, 12V	
SHEET 7	PART NO 166773



- 12 SEE BATTERY INSTL FOR ADDITIONAL INFORMATION.
- 11 SAME LOOM USED ON BOTH R40FD & R40KD.
- 10 SECURE CORD AWAY FROM ALL MOVING PARTS AND EXHAUST WITH WIRE-TIE 93147-01-000 AS REQUIRED
- 9 SEE BATTERY INST FOR ADDITIONAL INFORMATION
- 8 SEE WIRE ASM-CHASSIS FOR ADDITIONAL INFORMATION
- 7 REST WIRE IN FRAME RAIL WHEN APPLICABLE.
- 6 CLAMP 83610-01-000, SCREW G39-08-12B
- 5 CLAMP 10497-03-000, SCREW G39-08-12B
- 4 USE TIE-WIRE 8343-04-000 TO SECURE WIRES TO FLOOR SUPPORT FRAME AT LEAST ONCE EVERY 600MM.
- 3 ROUTE AND CLAMP WIRE ALONG UPPER TUBE IN BATTERY COMPT.
- 2 SEE WIRING INSTL-FRONT END FOR ADDITIONAL INFORMATION.

1. LEGEND: — WINNEBAGO: - - - - - CABLE: - - - - - CHASSIS SUPPLIED WIRING.

NOTES:

265 CODES/STANDARDS-CSA/CMVSS
 1B1 CODES/STANDARDS USA
 1B1 265

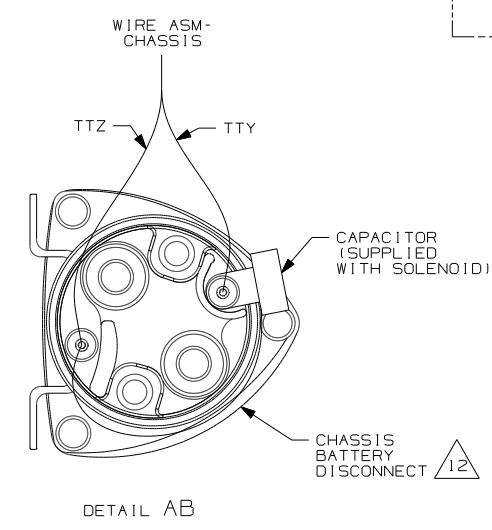
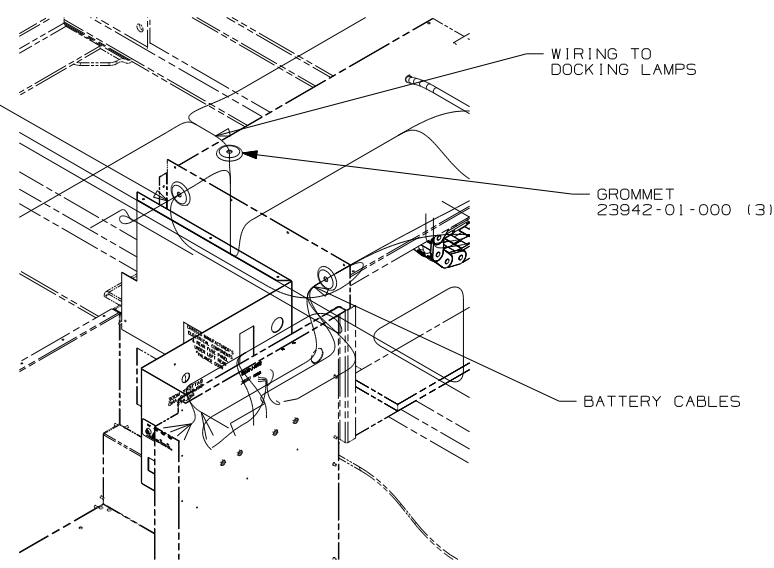
WINNEBAGO COPYRIGHT 2008 WINNEBAGO INDUSTRIES, INC.

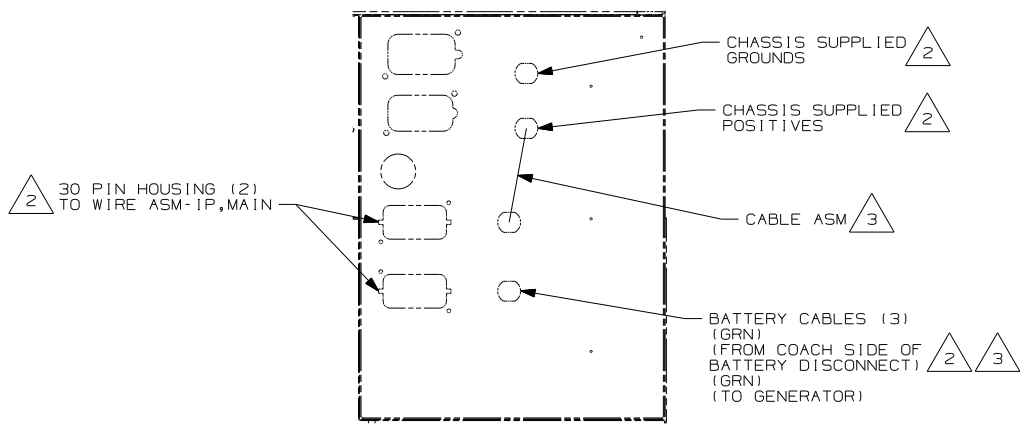
DFTR	ORIG. DATE
CHKR	ALL DIMENSIONS ARE IN MILLIMETERS
P.E.	FIRST USED
M.E.	09 R40FD/KD
DSNR	

UNSPECIFIED TOLERANCES ARE: MATERIAL:
 HOLE DIM (X) : 3
 ONE-PLACE (X, X) : 1.5
 TWO-PLACE (X, XX) : 0.50
 ANGLE : 1°
 THIRD ANGLE PROJECTION

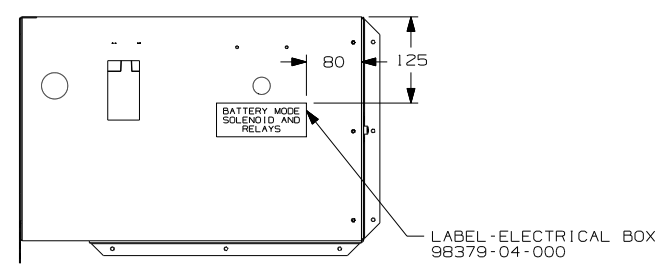
DO NOT SCALE DRAWING

TITLE: WIRING INSTL-CHASSIS
 SHEET 1 OF 2 PART NO 166772 REV
 REF: 1 9/5/2008

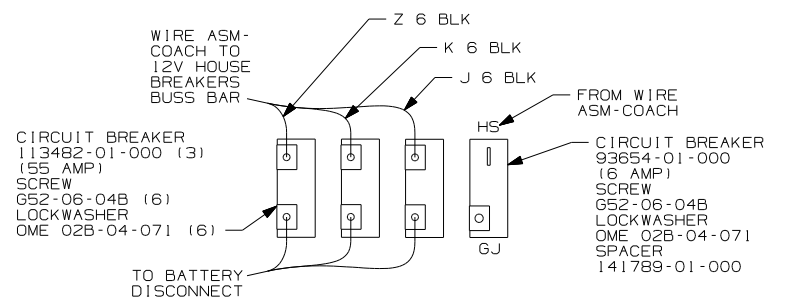




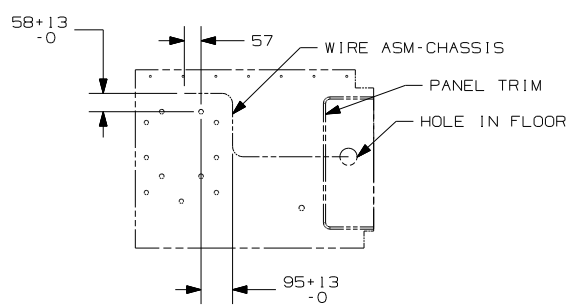
DETAIL BA



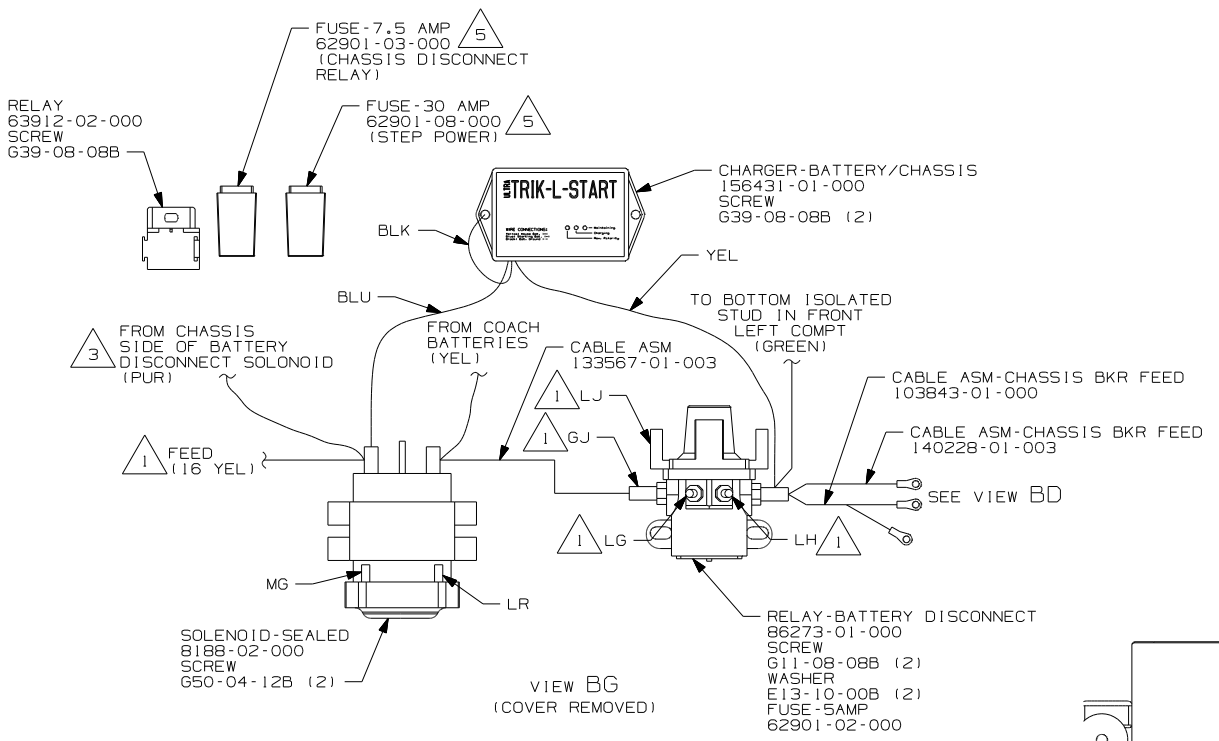
DETAIL BC



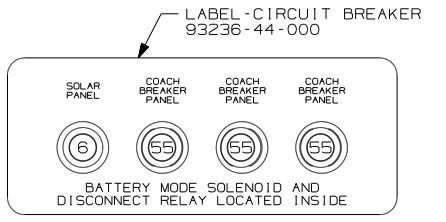
VIEW BD (BACK VIEW-COMPONENTS)



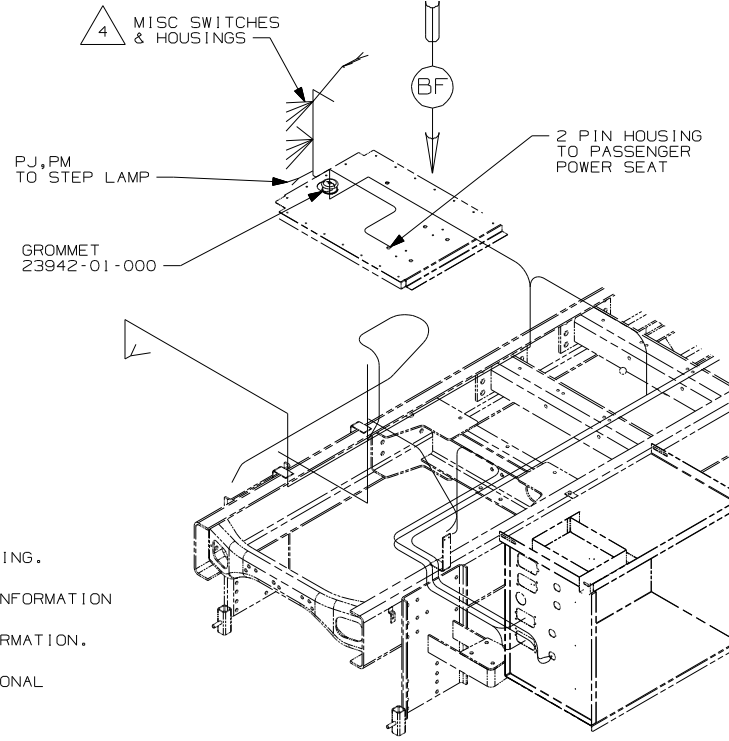
DETAIL BF



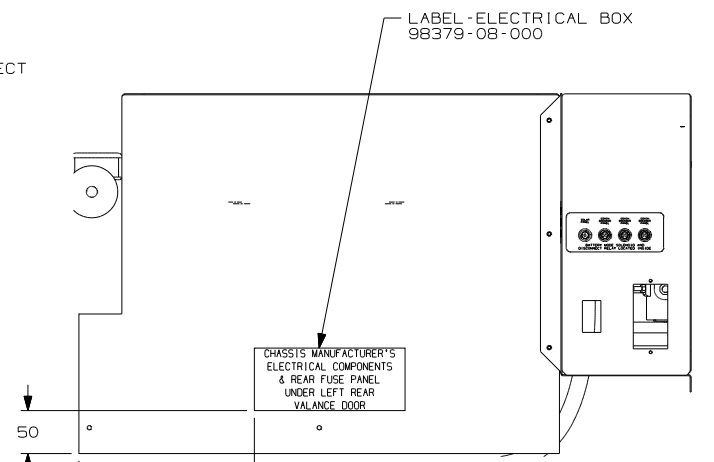
VIEW BG (COVER REMOVED)



VIEW BD



VIEW BB



VIEW BE

- NOTES:
- 5 WIRE TIE THE FUSE WIRING TO RELAY WIRING.
 - 4 SEE WIRE ASM-CHASSIS FOR ADDITIONAL INFORMATION
 - 3 SEE BATTERY INSTL FOR ADDITIONAL INFORMATION.
 - 2 SEE WIRING INSTL-FRONT END FOR ADDITIONAL INFORMATION.
 - 1 CIRCUITS BRANCH FROM WIRE ASM-CHASSIS.

FOR ELECTRICAL TORQUE SPECIFICATIONS SEE DWG NO. 128783-01-000

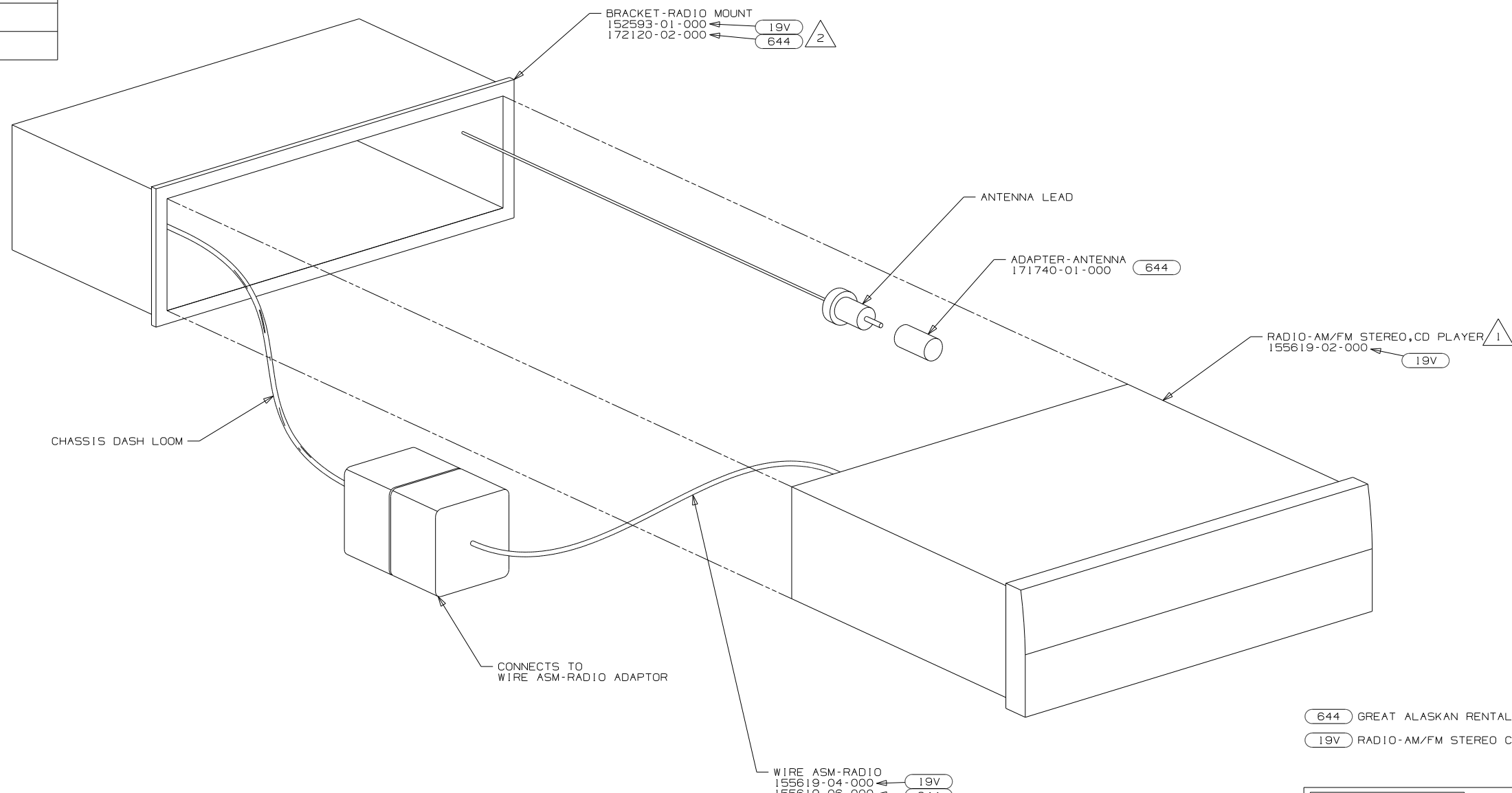
X-X FOR ELECTRICAL CALLOUTS SEE DWG NO. 121339-01-000

265 CODES/STANDARDS-CSA/CMVSS
1B1 CODES/STANDARDS USA

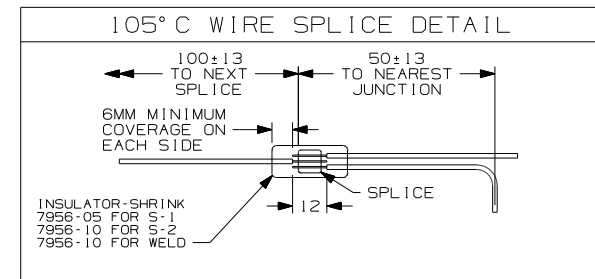
FIRST USED	09 R40FD/KD
TITLE:	DO NOT SCALE DRAWING
	WIRING INSTL-CHASSIS
SHEET 2	PART NO 166772 REV

DRAWING NO.	SHEET	SERIES
166027-01	1	200
166027-02	2	300 & 700
166027-03	3	500
166027-04	4	J, K, M, P, R, S-SERIES
166027-05	5	E-SERIES
166027-06	6	D-SERIES
166027-07	7	B-VAN

RELEASE	REV DATE	DWG NO
A		166027
REV ZONE	REVISION RECORD	DATE DFR-ORIG



- 644 GREAT ALASKAN RENTAL PACKAGE
- 19V RADIO-AM/FM STEREO CD PLAYER



X-X FOR ELECTRICAL CALLOUTS SEE DWG NO. 121339-01-000

- 2 INSTALL REAR RADIO SUPPORT BRACKET, ENGAGING T-RAIL ON BOTTOM OF RADIO UNTIL LOCKED IN PLACE.
- 1 BEND TABS ON ALL 4 SIDES TO SECURE RADIO MOUNTING BRACKET TO DASH MOUNTING BRACKET.

WINNEBAGO COPYRIGHT 2009 WINNEBAGO INDUSTRIES, INC.

DFTR	ORIG. DATE
CHKR	ALL DIMENSIONS ARE IN MILLIMETERS
P.E.	FIRST USED
M.E.	09 MOTORHOMES
DSNR	

UNSPECIFIED TOLERANCES ARE: MATERIAL:

WHOLE DIM (X) :
ONE-PLACE (X.X) :
TWO-PLACE (X.XX) :
ANGLE :

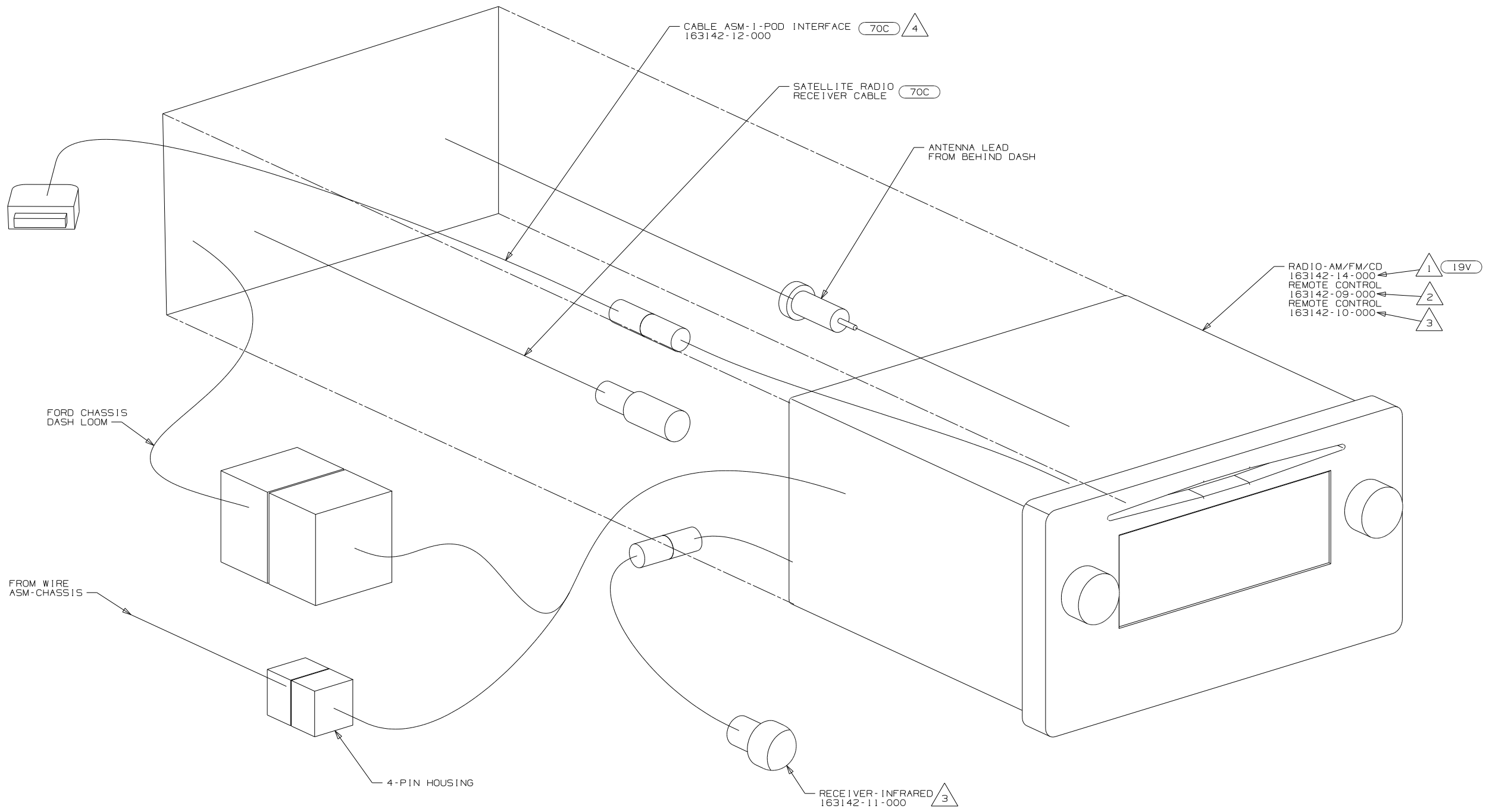
THIRD ANGLE PROJECTION

DO NOT SCALE DRAWING

TITLE: RADIO INSTL

SHEET 1 of 7 PART NO 166027 REV

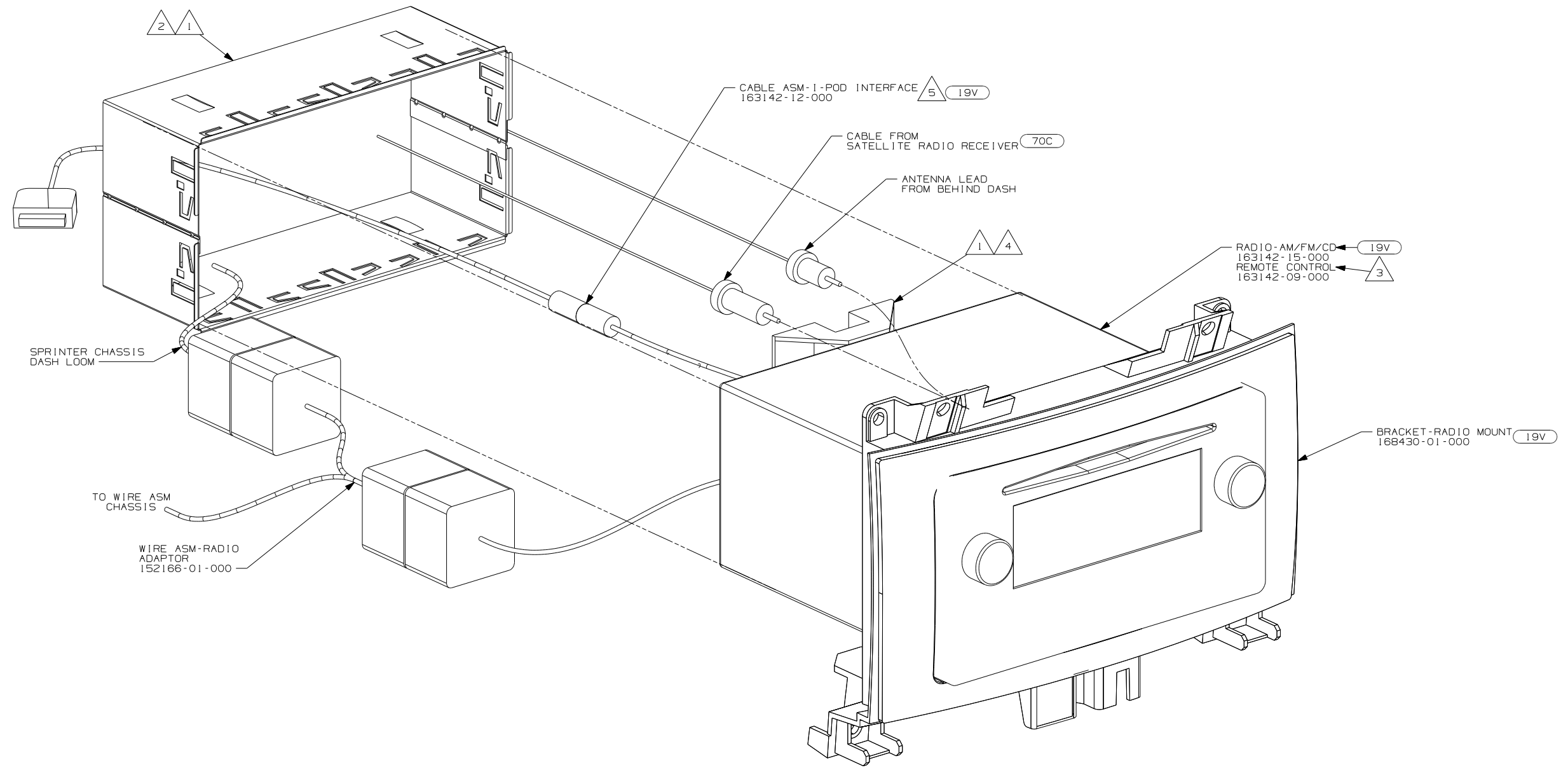
REF: 1 4/3/2009



- 4 PLUG 1-POD CABLE INTO LEAD ON BACK OF RADIO MARKED '1-POD'. ROUTE CABLE TO THE LEFT OF RADIO. WIRE TIE EXCESS CABLE UNDER DASH IN THE AREA LEFT OF THE RADIO. LEAVE 200 MM OF CABLE IN THE MOTOR COVER BEVERAGE TRAY. MAKE SURE CABLE DOES NOT GET PINCHED BY MOTOR COVER.
 3 INSTALL PER DRAWING 170205.
 2 TO BE SUPPLIED IN WINNEBAGOS OWNERS CASE.
 1 ENGAGE T-RAIL ON BOTTOM OF RADIO UNTIL LOCKED IN PLACE.

NOTES:

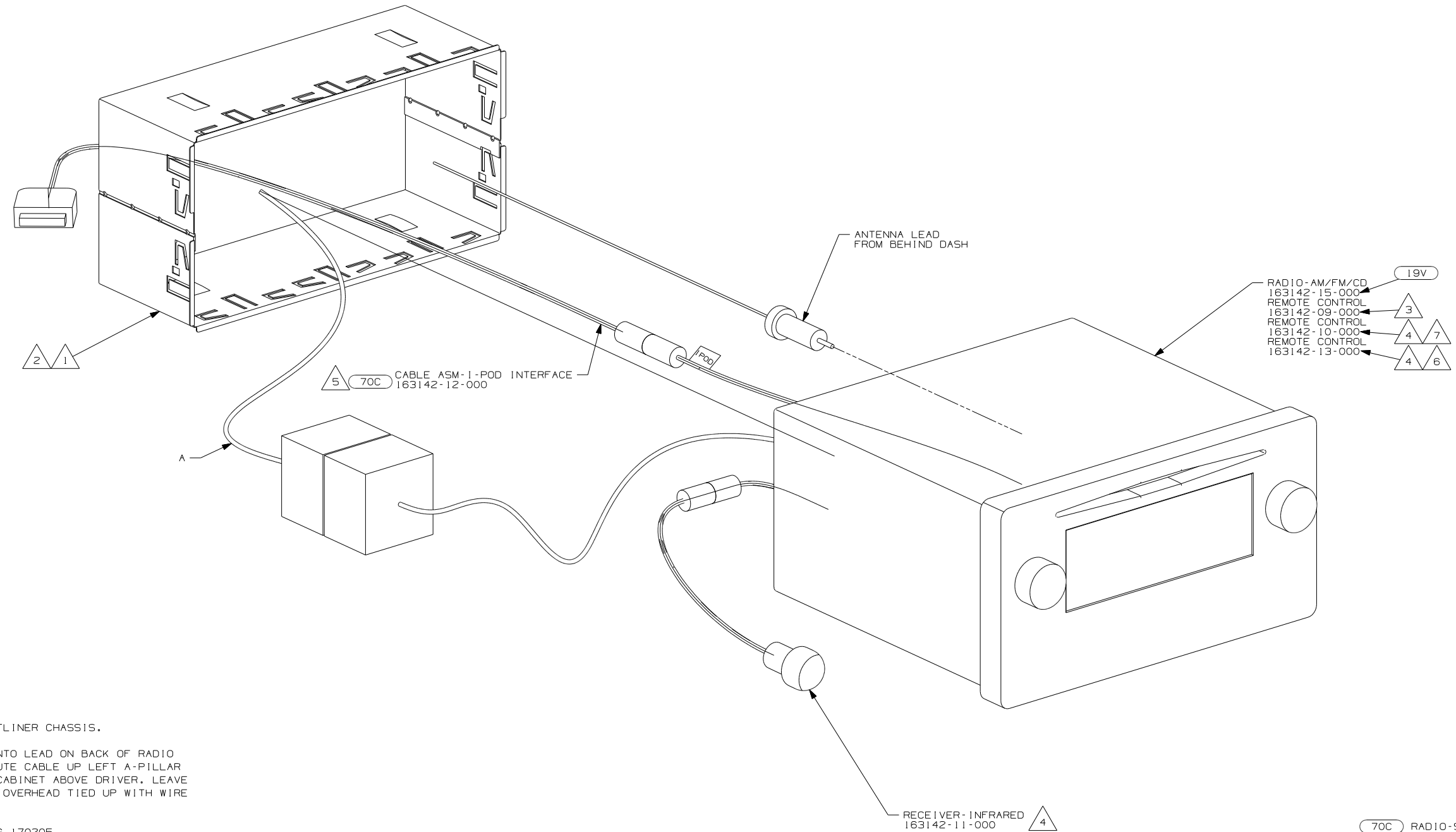
70C	RADIO - SATELLITE
19V	RADIO-AM/FM STEREO CD PLAYER (FORD CHASSIS ONLY)
FIRST USED	
09 MOTORHOMES	
DO NOT SCALE DRAWING	
TITLE:	
RADIO INSTL	
SHEET 2	PART NO 166027 REV



- 5 PLUG I-POD CABLE INTO LEAD ON BACK OF RADIO MARKED I-POD. DRILL 16 MM DIAMETER HOLE IN THE TRAY ABOVE THE RADIO. THE HOLE IS TO BE LOCATED ON THE PASSENGER SIDE OF THE TRAY 50 MM FROM THE END NEAREST THE WINDSHIELD. ROUTE I-POD CABLE INTO THE TRAY AND LEAVE 200 MM OF WIRE IN THE TRAY.
- 4 INSTALL REAR SUPPORT TO TOP EDGE OF RADIO.
- 3 TO BE SUPPLIED IN WINNEBAGOS OWNERS CASE
- 2 BEND TABS ON ALL 4 SIDES TO SECURE MOUNTING BRACKET TO DASH OPENING.
- 1 SUPPLIED WITH RADIO.

NOTES:

70C	RADIO-SATELLITE
19V	RADIO-AM/FM STEREO CD PLAYER
FIRST USED	
09 MOTORHOMES	
DO NOT SCALE DRAWING	
TITLE:	
RADIO INSTL	
SHEET 3	PART NO 166027 REV



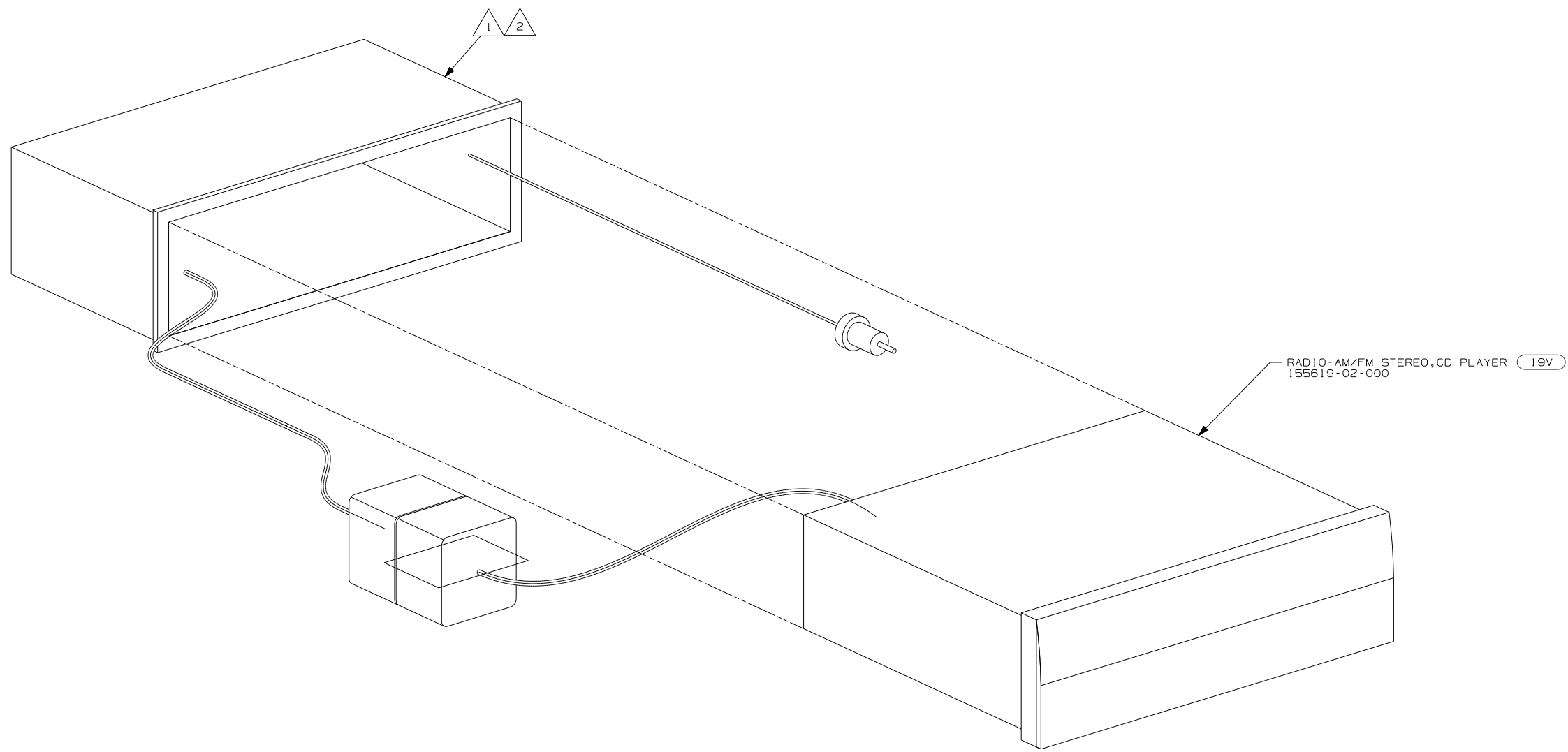
- 7 FORD CHASSIS.
- 6 WORKHORSE & FREIGHTLINER CHASSIS.
- 5 PLUG I-POD CABLE INTO LEAD ON BACK OF RADIO MARKED 'I-POD'. ROUTE CABLE UP LEFT A-PILLAR AND INTO OVERHEAD CABINET ABOVE DRIVER. LEAVE 600 MM OF CABLE IN OVERHEAD TIED UP WITH WIRE TIE 8343-01-000.
- 4 INSTALL PER DRAWING 170205.
- 3 TO BE SUPPLIED IN WINNEBAGOS OWNERS CASE
- 2 BEND TABS ON ALL 4 SIDES TO SECURE MOUNTING BRACKET TO DASH OPENING.
- 1 SUPPLIED WITH RADIO.

NOTES:

- 19V RADIO-AM/FM/CD 163142-15-000
- 3 REMOTE CONTROL 163142-09-000
- 4 7 REMOTE CONTROL 163142-10-000
- 4 6 REMOTE CONTROL 163142-13-000

- 70C RADIO-SATELLITE
- 19V RADIO-AM/FM STEREO CD PLAYER

FIRST USED	
09 MOTORHOMES	
DO NOT SCALE DRAWING	
TITLE: RADIO INSTL	
SHEET 4	PART NO 166027 REV



RADIO-AM/FM STEREO, CD PLAYER (19V)
155619-02-000

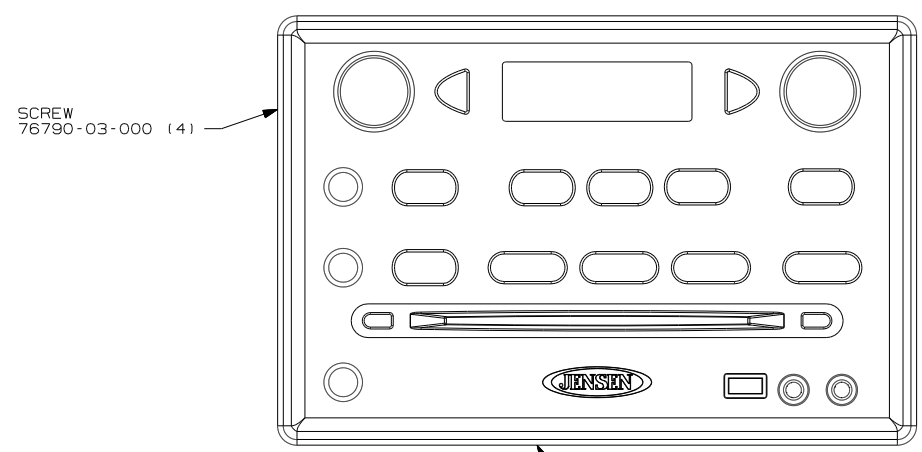
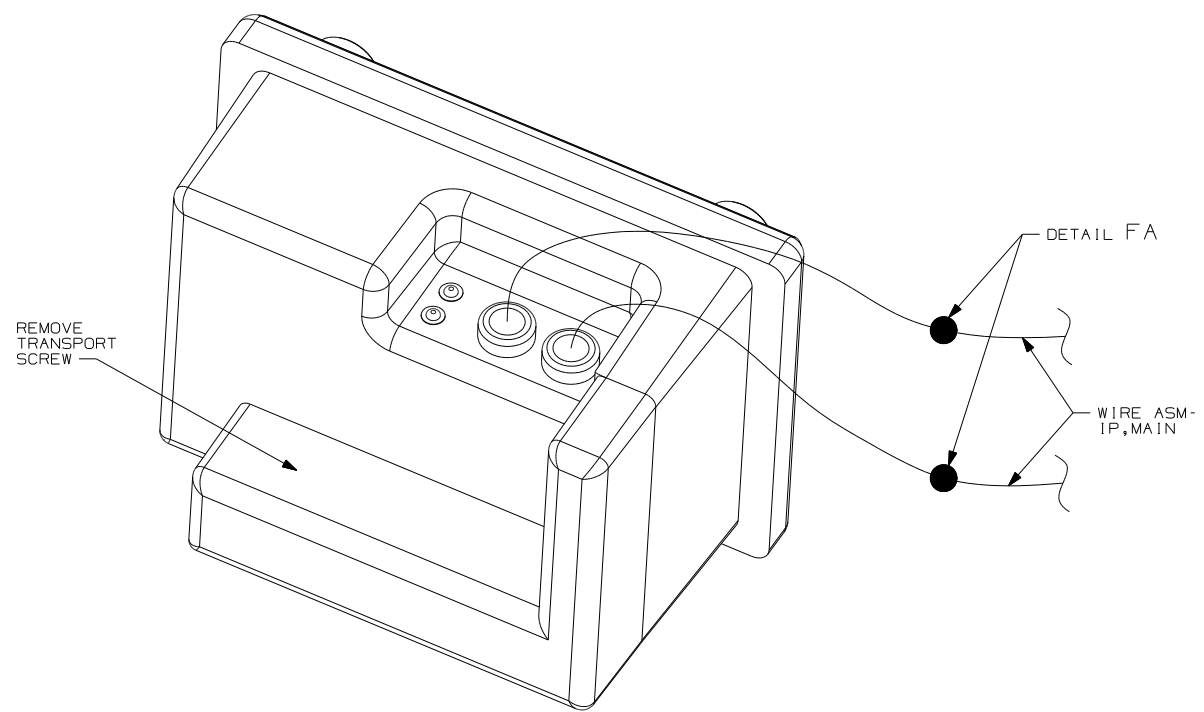
2 BEND TABS ON ALL 4 SIDES TO SECURE MOUNTING BRACKET TO DASH OPENING.

1 SUPPLIED WITH RADIO

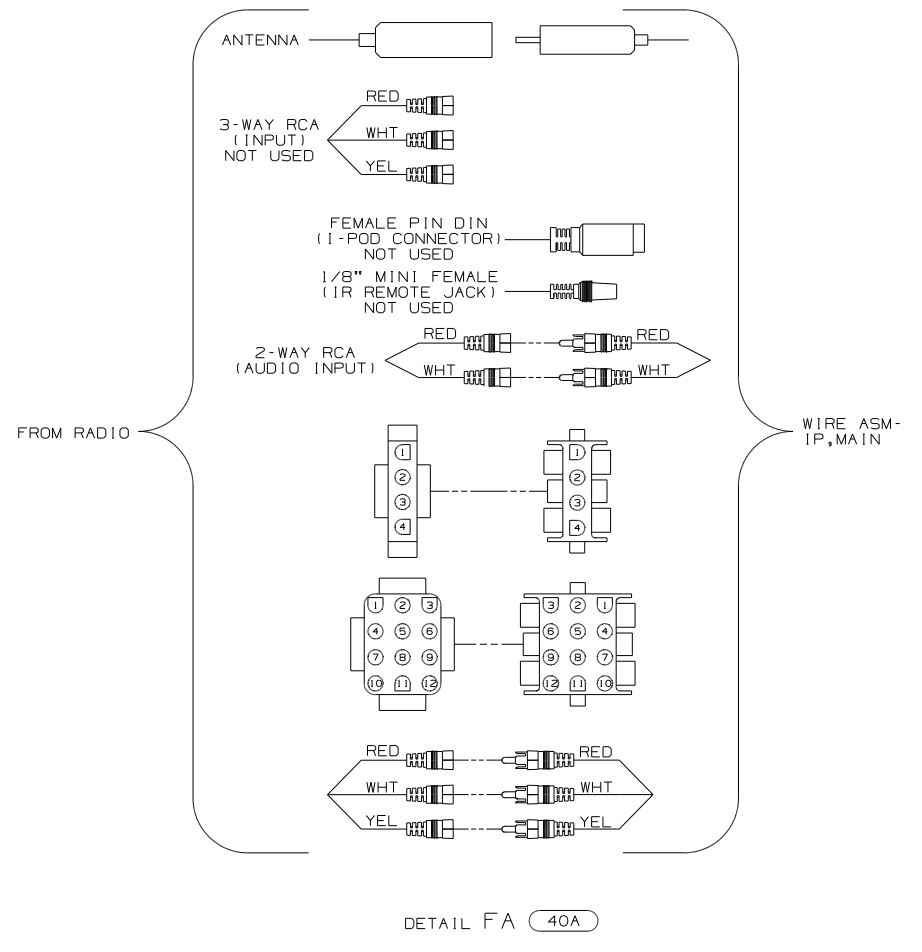
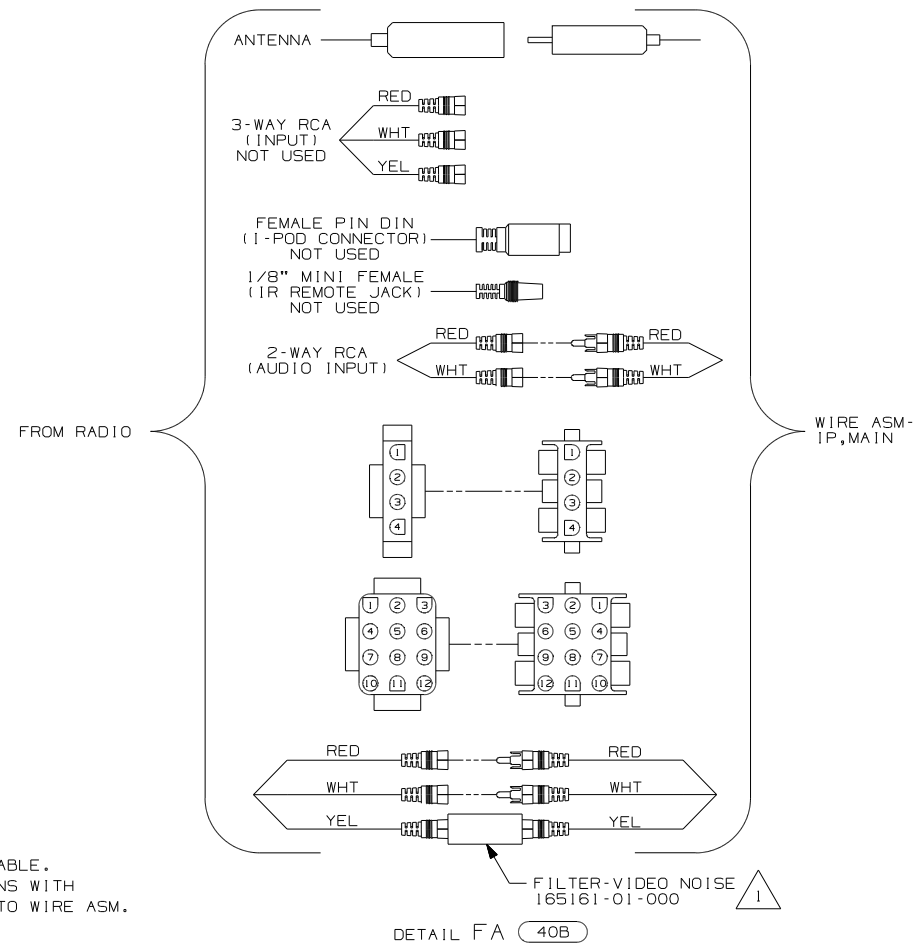
NOTES:

(19V) RADIO-AM/FM STEREO CD PLAYER

FIRST USED	09 MOTORHOMES	
TITLE:	DO NOT SCALE DRAWING	
SHEET	PART NO	REV
	166027	



RADIO-WALL MT,DVD/CD/W ALARM
169536-01-CHT

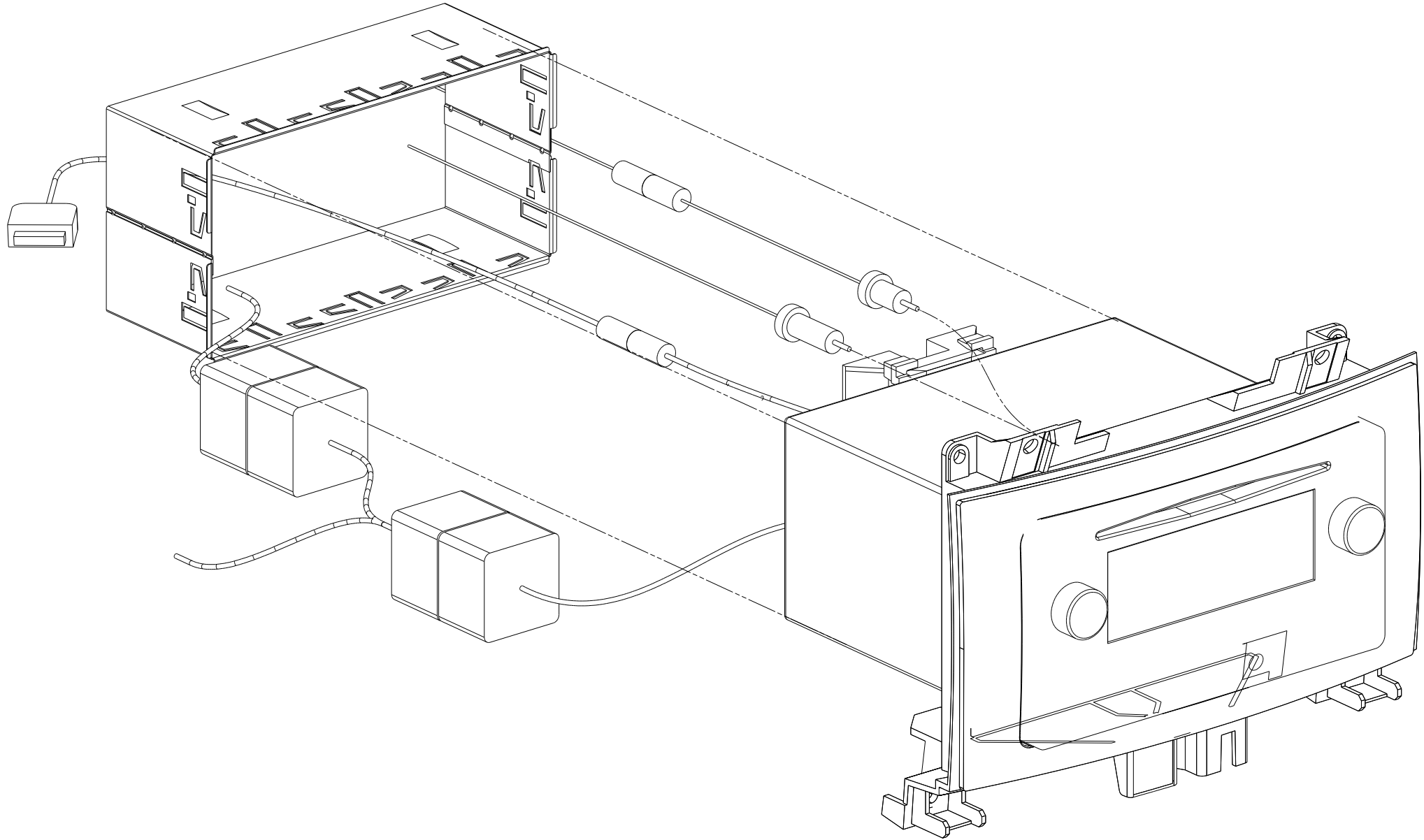


- 40B INVERTER-DC/AC, 300 WATT
- 40A INVERTER-DC/AC WITHOUT
- 255 RADIO/AM/FM/CD/DVD PLAYER

NOTES:

1 CONNECTS IN-LINE OF YELLOW VIDEO CABLE.
WRAP BOTH ENDS OF FILTER CONNECTIONS WITH
TAPE 8363-01-000 TO SECURE FILTER TO WIRE ASM.

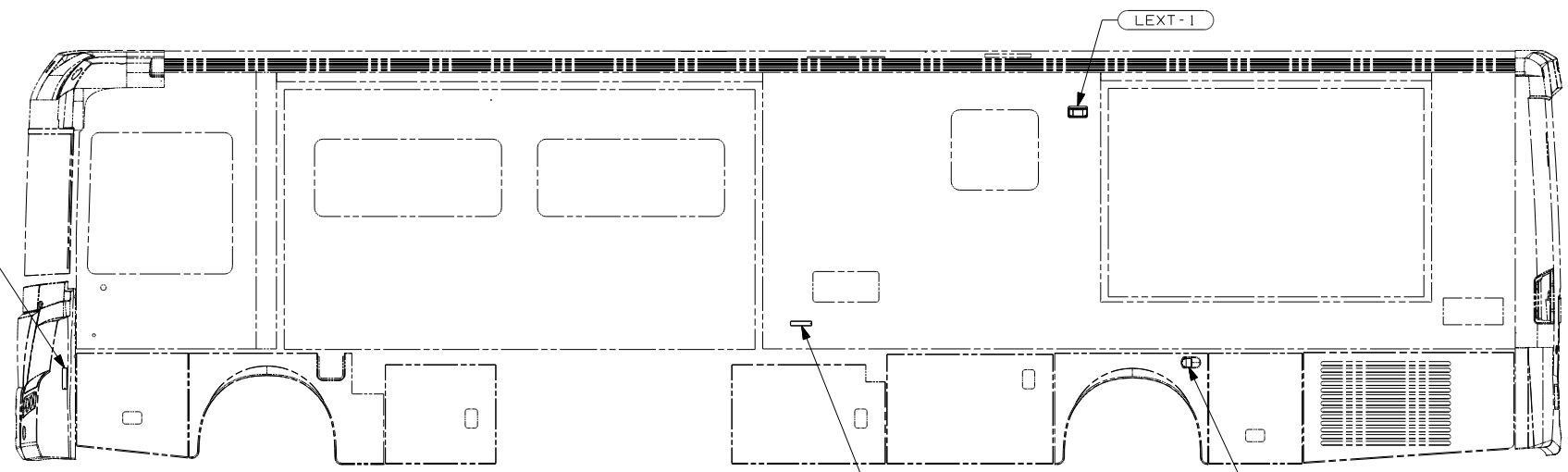
FIRST USED	09 D-SERIES	
TITLE:	DO NOT SCALE DRAWING	
	RADIO INSTL	
SHEET 6	PART NO	166027 REV



FIRST USED	09 MOTORHOMES		
TITLE:	DO NOT SCALE DRAWING		
SHEET 7	PART NO	166027	REV

DRAWING NO.	FEATURES
166246-01	(WIN)
166246-02	(ITA)

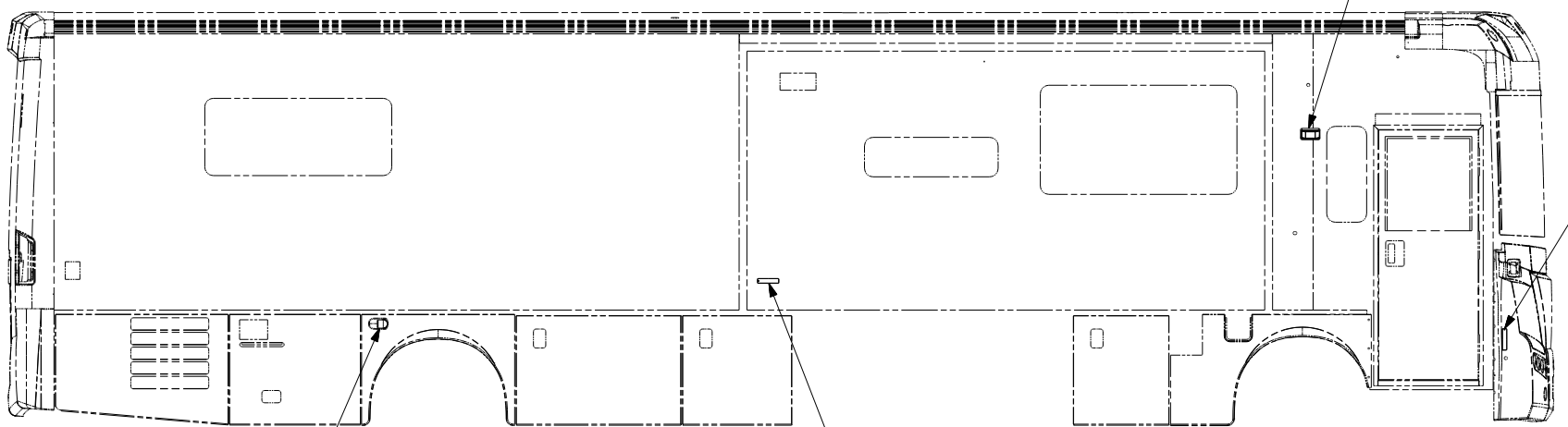
RELEASE	REV/DATE A	DWG NO 166246
REV ZONE	REVISION RECORD	DATE DFR-0R16



(WIN) LAMP-MARKER, AMBER
117826-02-000
GASKET-MARKER LIGHT
117826-03-000
BULB
36196-01-000
SCREW
G11-08-12U (EXT) (2)

LAMP-MARKER, BASE
111102-01-000
LAMP-MARKER, LENS, AMBER
111102-02-000
SCREW
G11-08-12U (EXT) (2)
CONNECTOR
58028-01-000 (4)

LAMP ASM-AUXILLARY
129746-01-000
NUT
40921-05-000 (2)
SCREW
G39-08-10U (EXT) (3)
SHIM-STRIKER
120494-03-CHT (A/R)



(WIN) LAMP-MARKER, AMBER
117826-02-000
GASKET-MARKER LIGHT
117826-03-000
BULB
36196-01-000
SCREW
G11-08-12U (EXT) (2)

LAMP ASM-AUXILLARY
129746-01-000
NUT
40921-05-000 (2)
SCREW
G39-08-10U (EXT) (3)
SHIM-STRIKER
120494-03-CHT (A/R)

LAMP-MARKER, BASE
111102-01-000
LAMP-MARKER, LENS, AMBER
111102-02-000
SCREW
G11-08-12U (EXT) (2)
CONNECTOR
58028-01-000 (4)

- (ITA) ITASCA ONLY
 - (WIN) WINNEBAGO ONLY
 - (265) CODES/STANDARDS-CSA/CMVSS
 - (1B1) CODES/STANDARDS USA
- (1B1) (265)



DFTR	ORIG. DATE
CHKR	ALL DIMENSIONS ARE IN MILLIMETERS
P.E.	
M.E.	FIRST USED
DSNR	09 R-SERIES
UNSPECIFIED TOLERANCES ARE:	MATERIAL:
HOLE DIM (X)	: 3
ONE-PLACE (X.X)	: 1.5
TWO-PLACE (X.XX)	: 0.50
ANGLE	: 1°
THIRD ANGLE PROJECTION	

FOR ELECTRICAL TORQUE SPECIFICATIONS SEE DWG NO. 128783-01-000

(X-X) FOR ELECTRICAL CALLOUTS SEE DWG NO. 121339-01-000

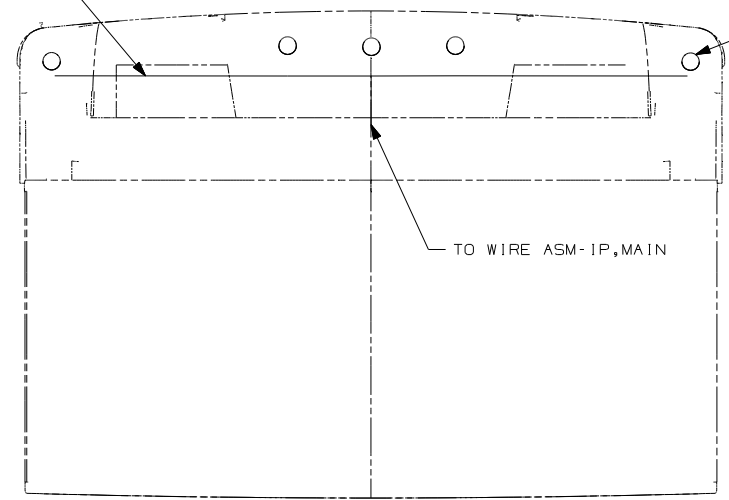
DO NOT SCALE DRAWING

TITLE: WIRING INSTL-EXTERIOR LAMPS

SHEET 1 OF 3 PART NO 166246 REV

WIRE ASM-CLEARANCE LAMPS
126486-04-000

LAMP ASM-CLEARANCE, AMBER
138996-01-000 (5)
BRACKET-LAMP CLEARANCE
138996-03-000 (5)
SCREW
G39-08-16T (10)



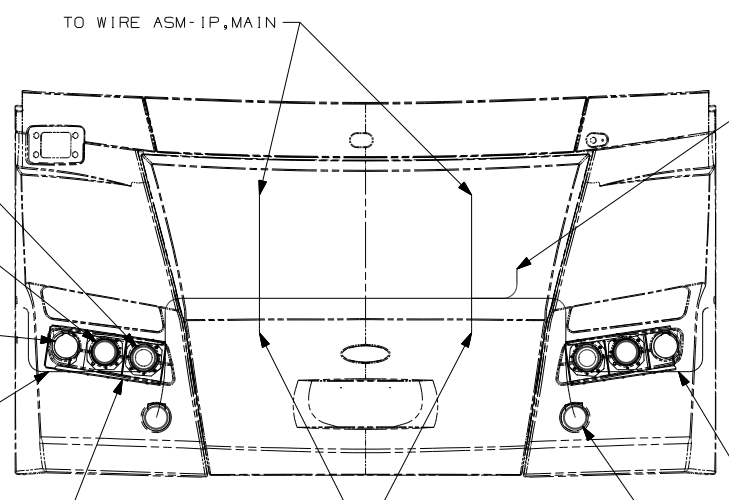
2 HEADLAMP ASM-HIGH
146527-02-000 (2)
SCREW
G11-08-06B (8)

1 HEADLAMP ASM-LOW
146527-01-000 (2)
SCREW
G11-08-06B (8)

HEADLAMP ASM-PARK/TURN
146560-01-000 (2)
BULB
112708-02-000 (2)
NUT
76327-01-000 (6)

WIRE ASM-HEADLAMP, RIGHT
146086-10-000

SUPPORT ASM-HEADLAMP
152430-01-000
152430-02-000
BOLT
C26-04-08B (8)



TO AIR TANK VALVE

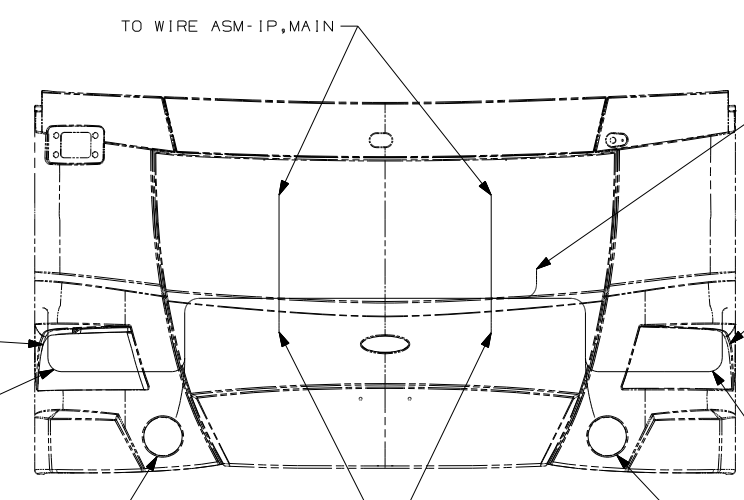
WIRE ASM-HEADLAMP, LEFT
146086-09-000

LAMP ASM-FOG
151421-01-000 (2)
BOLT
C26-14-18B (4)
NUT
D39-04-00B (4)
ANGLE-MOUNT
139686-01-CHT
(2)
BOLT
C26-04-18B (4)

HEADLAMP ASM-PARK/TURN
153171-01-000
BOLT
C26-06-12U (3)

WIRE ASM-HEADLAMP
146086-12-000

LAMP ASM-FOG, RIGHT
153193-01-000



TO AIR TANK VALVE

HEADLAMP ASM-PARK/TURN
153171-02-000
BOLT
C26-06-12U (3)

WIRE ASM-HEADLAMP
146086-11-000

LAMP ASM-FOG, LEFT
153193-02-000

ITA ITASCA ONLY

WIN WINNEBAGO ONLY

265 CODES/STANDARDS-CSA/CMVSS

1B1 CODES/STANDARDS USA

1B1 265

2 THE 2 PIN HOUSING WITH CIRCUITS NB & DDM, FOR THE RIGHT SIDE, AND NB & DDL FOR THE LEFT SIDE IS TO BE PLUGGED INTO THE INBOARD HIGH BEAM HEADLAMP.

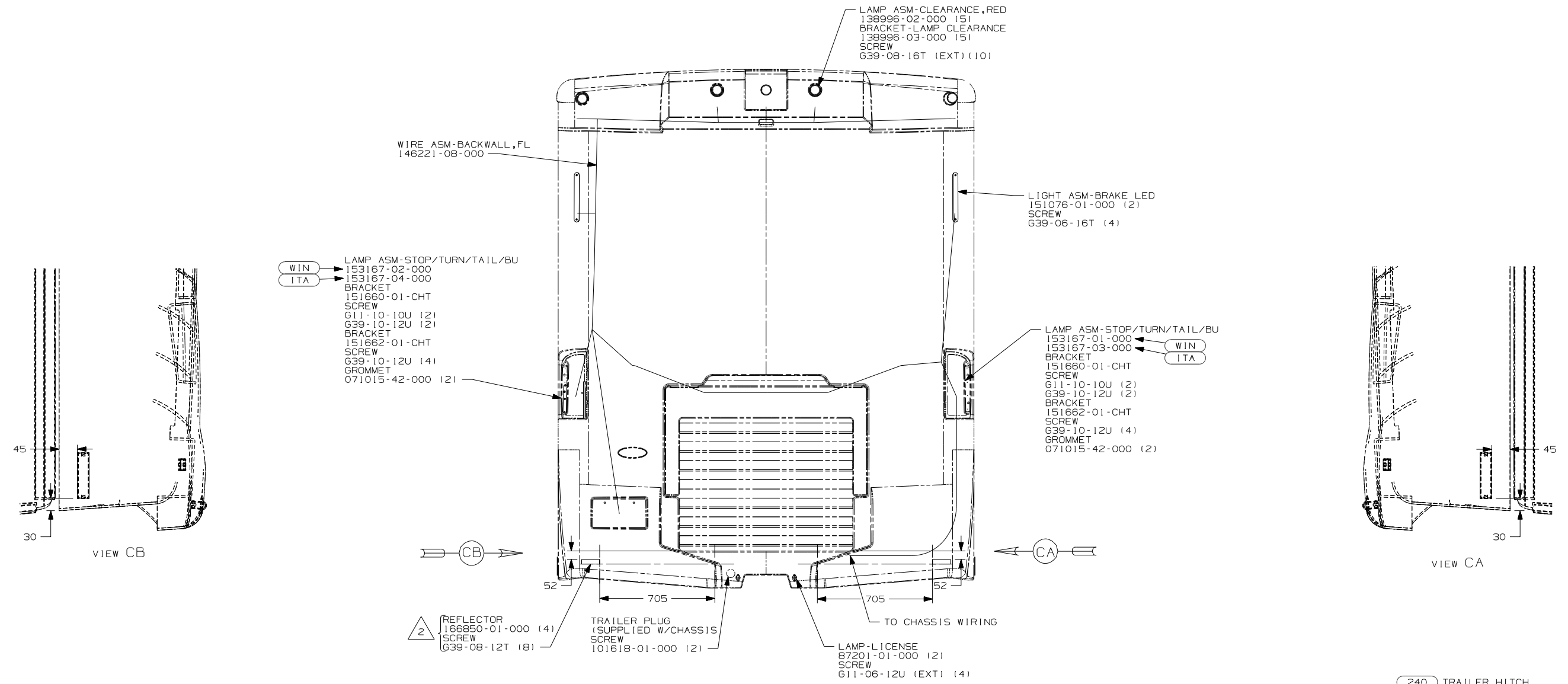
1 THE 2 PIN HOUSING WITH CIRCUITS NA & DDM, FOR THE RIGHT SIDE, AND NA & DDL FOR THE LEFT SIDE IS TO BE PLUGGED INTO THE OUTBOARD LOW BEAM HEADLAMP.

NOTES:

FOR ELECTRICAL TORQUE SPECIFICATIONS SEE DWG NO. 128783-01-000

X-X FOR ELECTRICAL CALLOUTS SEE DWG NO. 121339-01-000

FIRST USED	09 R-SERIES	
TITLE:	DO NOT SCALE DRAWING	
	WIRING INSTL-EXTERIOR LAMPS	
SHEET 2	PART NO	166246
	REV	



△ REMOVE PAPER BACKING FROM REFLECTOR AND PREP APPLICATION SURFACE WITH ISOPROPYL ALCOHOL WIPE BEFORE INSTALLATION.

- CONNECTOR-PLUG, TRAILER (146246-01-000) TO BE SUPPLIED IN COACH WITH (240)

NOTES:

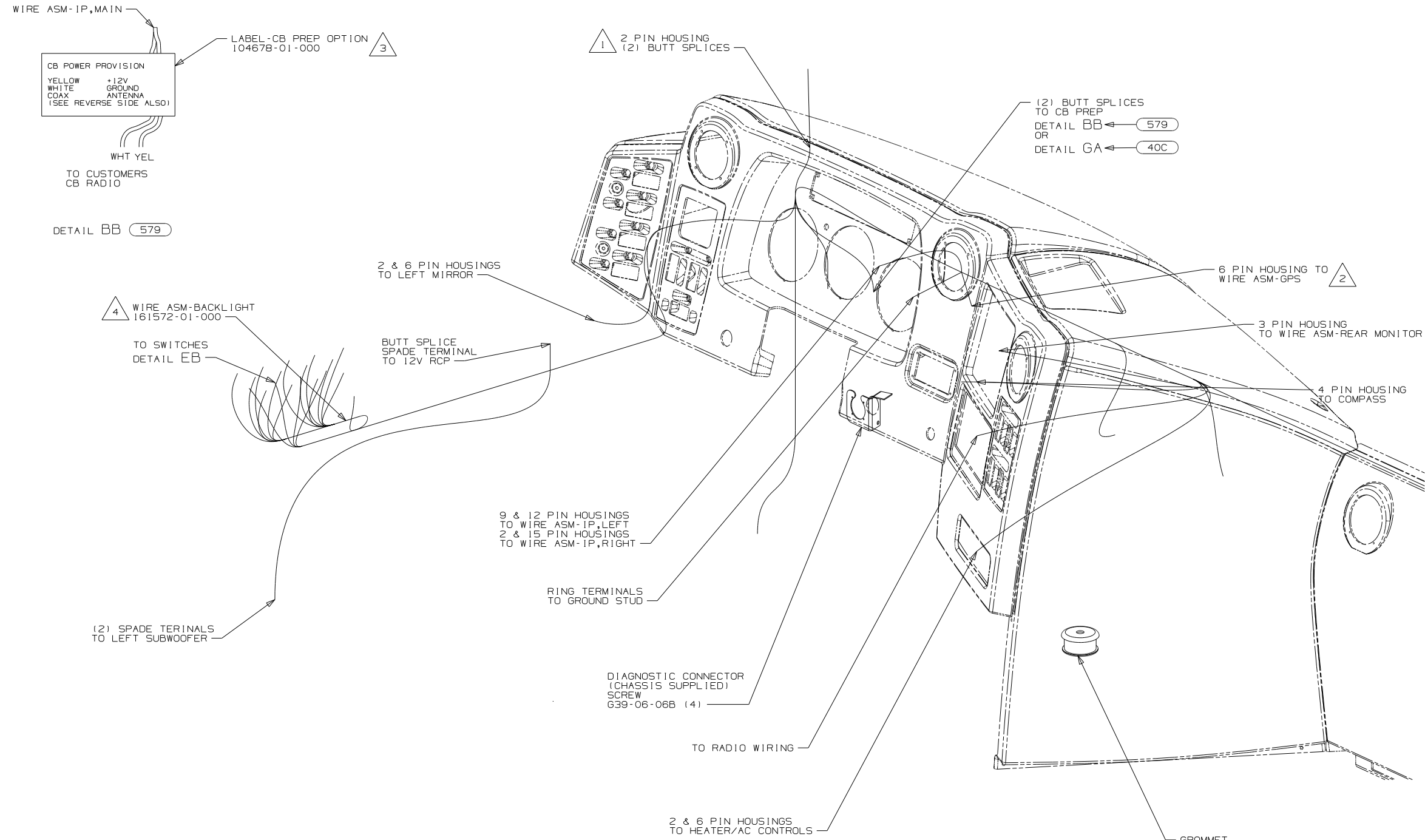
- (240) TRAILER HITCH
- (ITA) ITASCA ONLY
- (WIN) WINNEBAGO ONLY
- (265) CODES/STANDARDS-CSA/CMVSS
- (1B1) CODES/STANDARDS USA

(1B1) (265)

FOR ELECTRICAL TORQUE SPECIFICATIONS SEE DWG NO. 128783-01-000

(X-X) FOR ELECTRICAL CALLOUTS SEE DWG NO. 121339-01-000

FIRST USED	
09 R-SERIES	
DO NOT SCALE DRAWING	
TITLE:	
WIRING INSTL-EXTERIOR LAMPS	
SHEET 3	PART NO 166246 REV



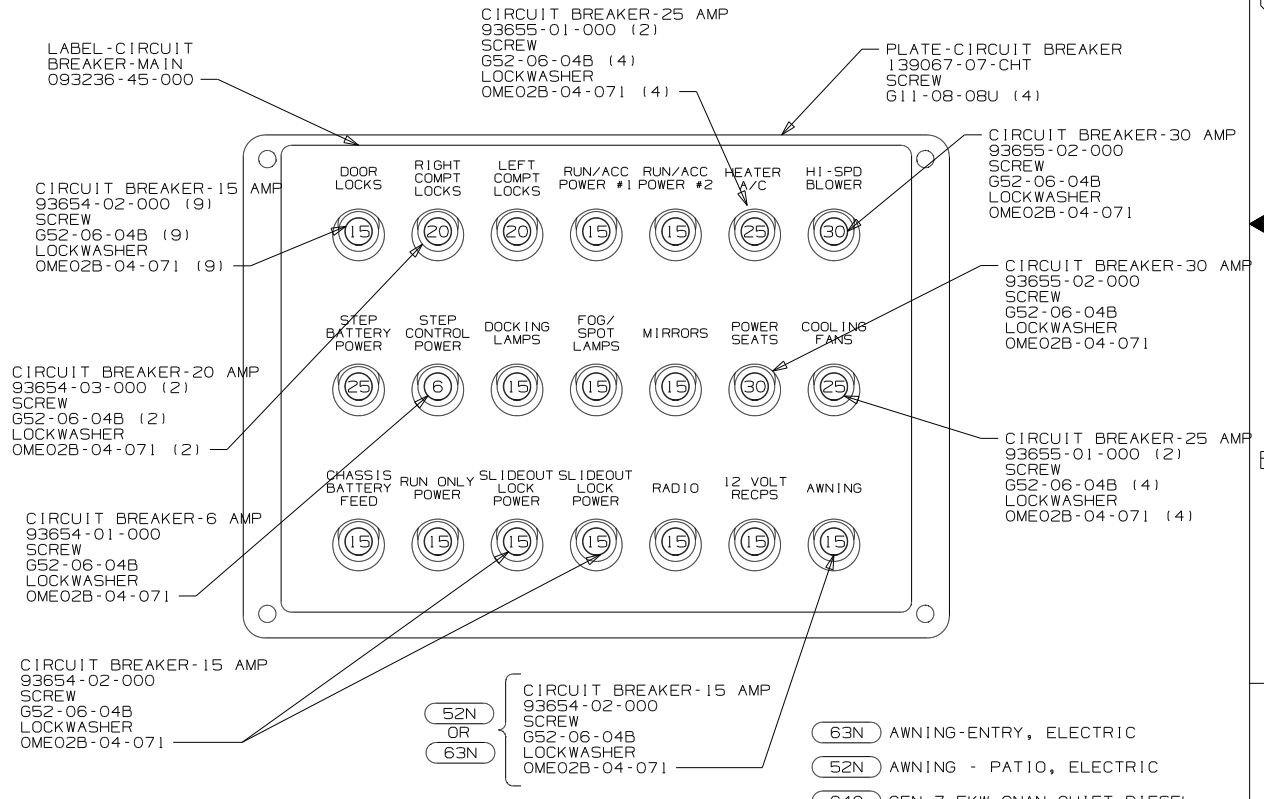
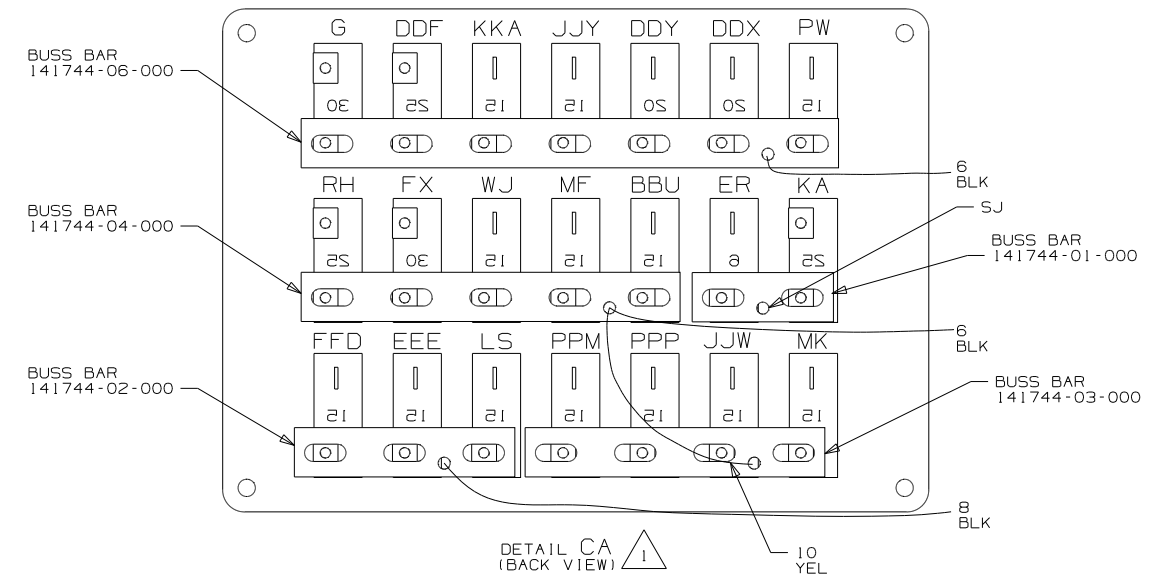
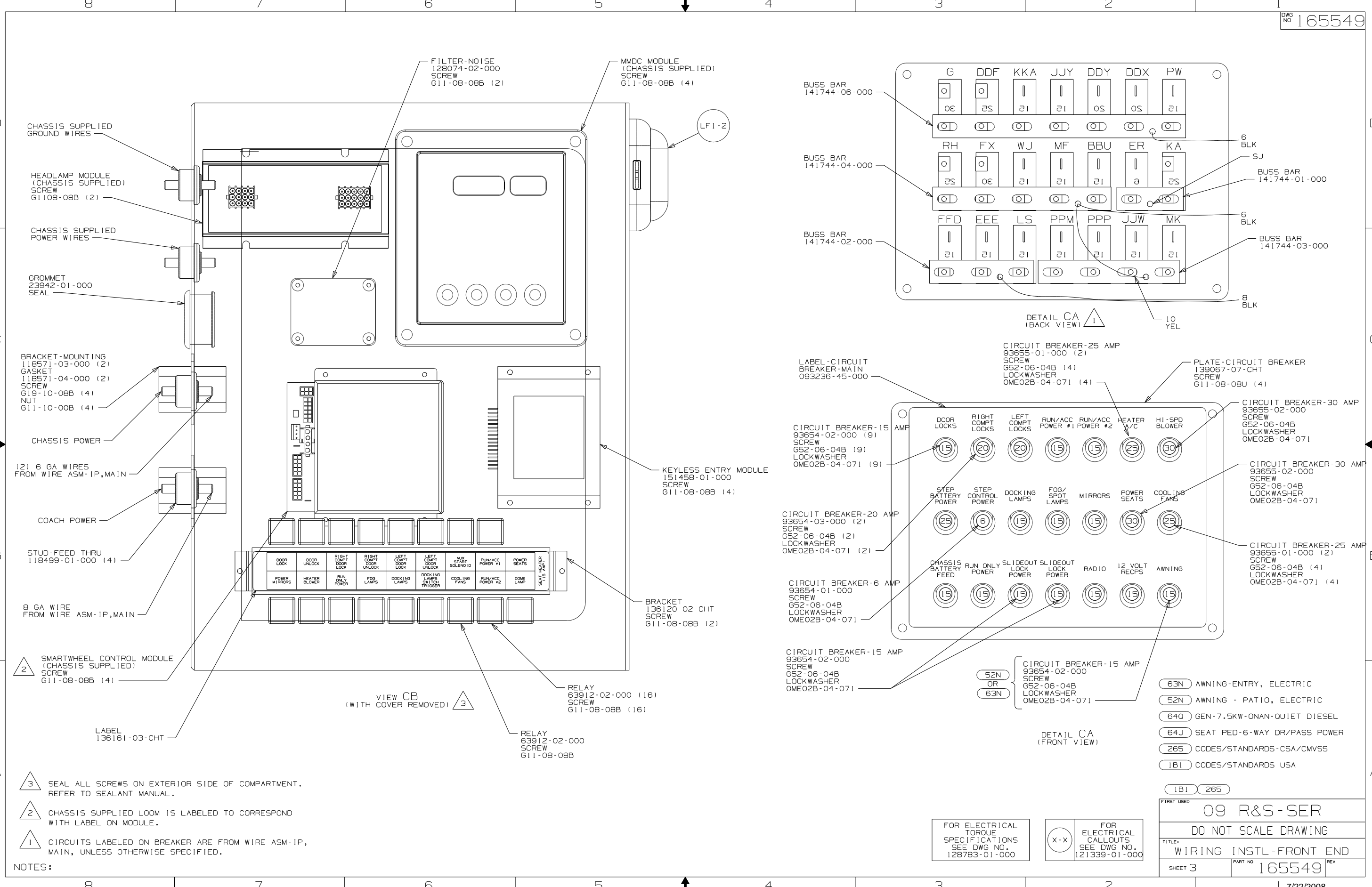
- NOTES:
- 4 S-SERIES ONLY
 - 3 EDGE OF LABEL TO HANG JUST BELOW BOTTOM OF DASH.
 - 2 SEE WIRING INSTL-GPS FOR ADDITIONAL INFORMATION, TIE BACK INTO MAIN LOOM WITHOUT (15D)
 - 1 ROUTE WIRES UP LEFT A-PILLAR.

- (579) RADIO - CB WIRE PREP
- (40C) RADIO - CB
- (15D) GPS-NAVIGATION SYSTEM
- (265) CODES/STANDARDS-CSA/CMVSS
- (1B1) CODES/STANDARDS USA

FIRST USED	
09 R&S-SER	
DO NOT SCALE DRAWING	
TITLE: WIRING INSTL-FRONT END	
SHEET 2	PART NO 165549 REV

FOR ELECTRICAL
TORQUE
SPECIFICATIONS
SEE DWG NO.
128783-01-000

(X-X)
FOR
ELECTRICAL
CALLOUTS
SEE DWG NO.
121339-01-000

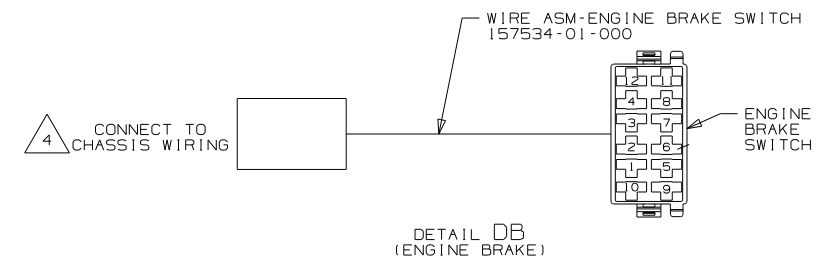
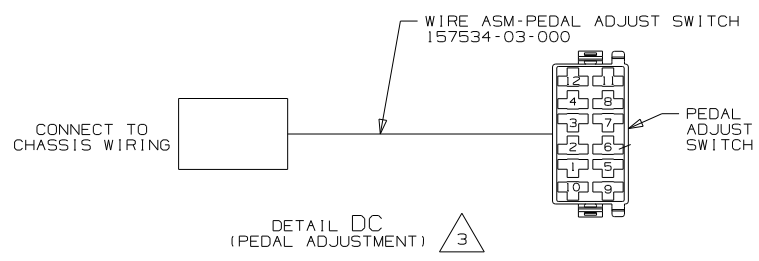
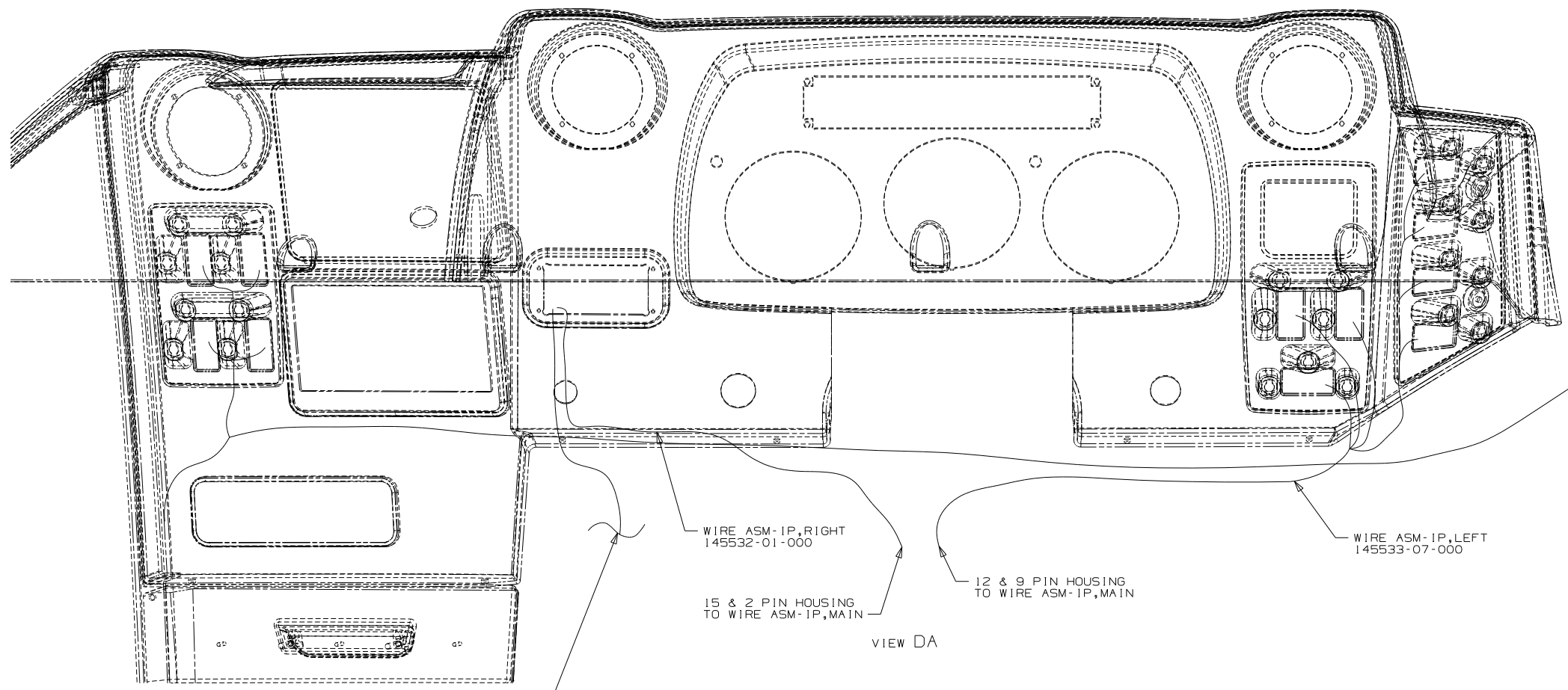


- NOTES:
- 3 SEAL ALL SCREWS ON EXTERIOR SIDE OF COMPARTMENT. REFER TO SEALANT MANUAL.
 - 2 CHASSIS SUPPLIED LOOM IS LABELED TO CORRESPOND WITH LABEL ON MODULE.
 - 1 CIRCUITS LABELED ON BREAKER ARE FROM WIRE ASM-1P, MAIN, UNLESS OTHERWISE SPECIFIED.

FOR ELECTRICAL TORQUE SPECIFICATIONS SEE DWG NO. 128783-01-000

X-X FOR ELECTRICAL CALLOUTS SEE DWG NO. 121339-01-000

FIRST USED	09 R&S-SER
TITLE	DO NOT SCALE DRAWING
TITLE	WIRING INSTL-FRONT END
SHEET 3	PART NO 165549 REV



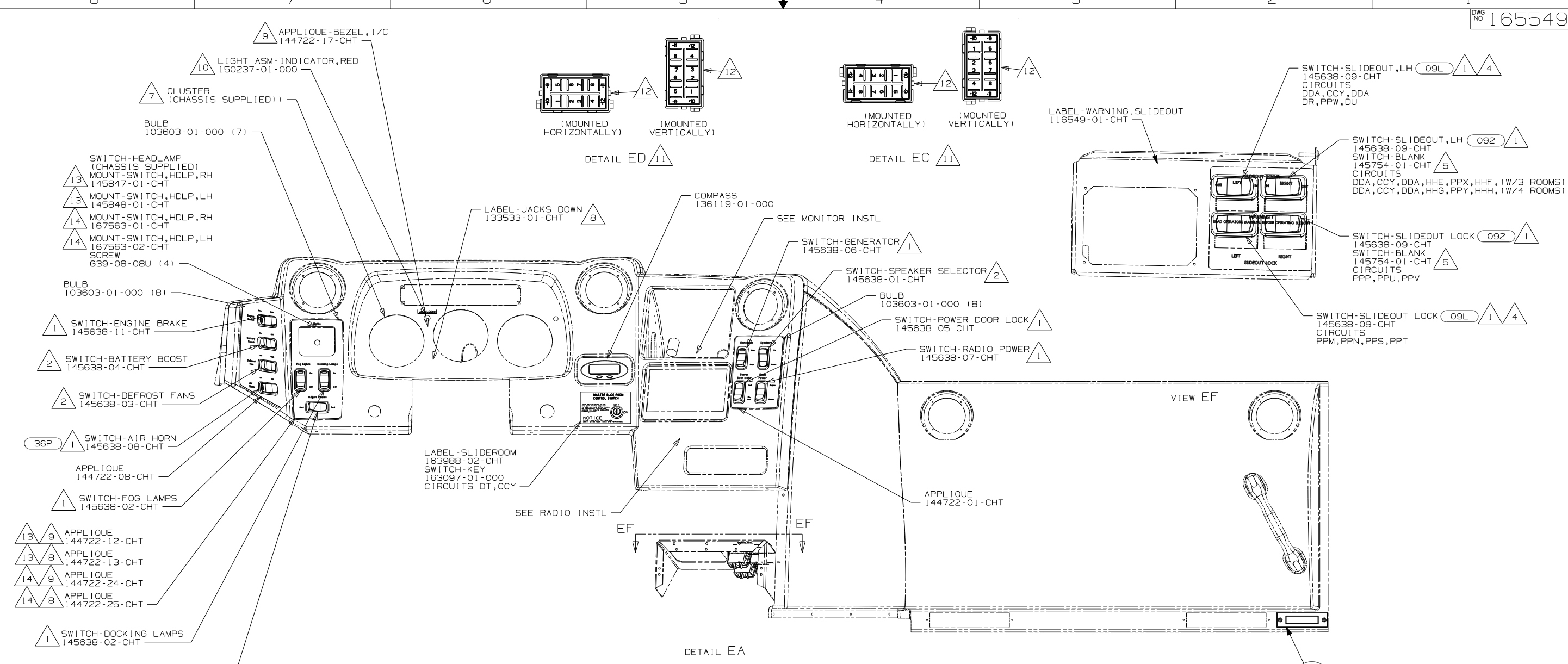
- NOTES:
- 4 CHASSIS WIRING HAS MATING CONNECTOR AND IS LABELED "ENGINE BRAKE SWITCH"
 - 3 S-SERIES ONLY
 - 2 ROUTE OUT FRONT END W/WIRE ASM-IP,MAIN.
 - 1 ROUTE UP LEFT A-PILLAR.

FOR ELECTRICAL TORQUE SPECIFICATIONS SEE DWG NO. 128783-01-000

FOR ELECTRICAL CALLOUTS SEE DWG NO. 121339-01-000

265 CODES/STANDARDS-CSA/CMVSS
1B1 CODES/STANDARDS USA

FIRST USED	09 R&S-SER
TITLE	DO NOT SCALE DRAWING
TITLE	WIRING INSTL-FRONT END
SHEET 4	PART NO 165549 REV



NOTES:

- 10 CONNECT POSITIVE WIRE TO TERMINAL MARKED WITH A "+", YEL-WINNEBAGO WIRING RED-HWH WIRING
- 9 S-SERIES ONLY
- 8 R-SERIES ONLY
- 7 SEE SHEET 7 FOR GAUGE PLACEMENT.
- 6 MOUNT SWITCH SO WHEN ACTUATOR IS PUSHED LEFT, THE LETTER L IS SHOWING. DETAIL EE.
- 5 WITHOUT 092
- 4 HOUSING ON WIRE ASM IS MARKED WITH YELLOW TAPE.
- 3 FOR SWITCH WIRING SEE DETAIL DC.
- 2 FOR SWITCH ORIENTATION SEE DETAIL ED.
- 1 FOR SWITCH ORIENTATION SEE DETAIL EC.

DETAIL EB

DETAIL EE

DETAIL EA

DETAIL ED

DETAIL EC

LEGEND:

- 14 2009 FREIGHTLINER CHASSIS.
- 13 2008 FREIGHTLINER CHASSIS.
- 12 WITH SWITCH INSTALLED, THIS SIDE OF SWITCH WILL FACE LEFT SIDEWALL.
- 11 DETAIL IS LOOKING AT SWITCH FROM THE BACK SIDE OF SWITCH AS IT IS INSTALLED.

COMPONENTS:

- 28L SUNVISORS - POWERED (3)
- 28J SUNVISORS - POWERED (2)
- 36P AIR HORNS
- 09L SLIDEOUT ROOM FRONT LEFT
- 092 SLIDEOUT ROOM - FRONT RIGHT
- 265 CODES/STANDARDS-CSA/CMVSS
- 1B1 CODES/STANDARDS USA

FOR ELECTRICAL TORQUE SPECIFICATIONS SEE DWG NO. 128783-01-000

FOR ELECTRICAL CALLOUTS SEE DWG NO. 121339-01-000

PROPERTY:

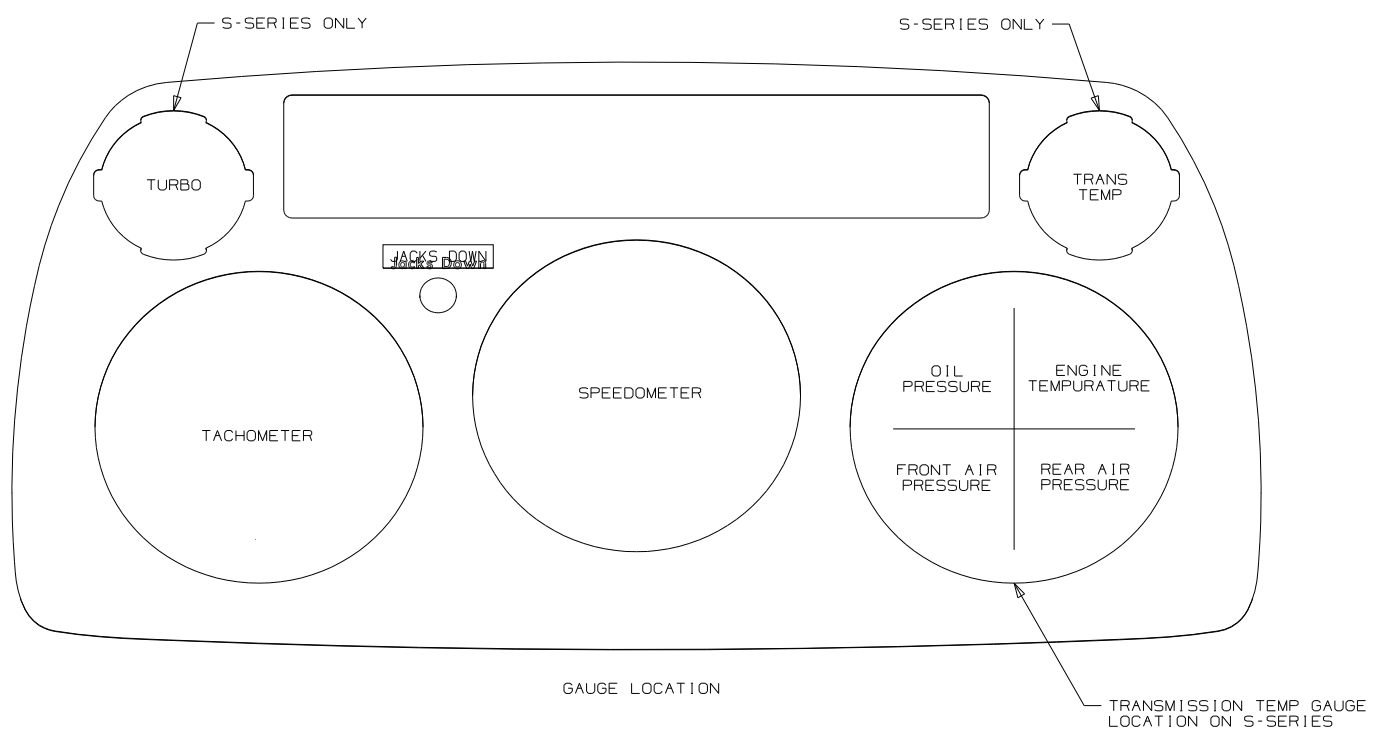
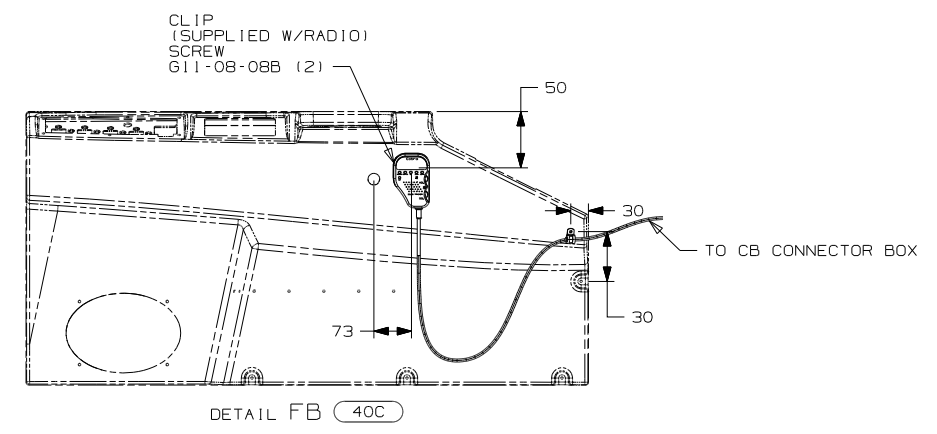
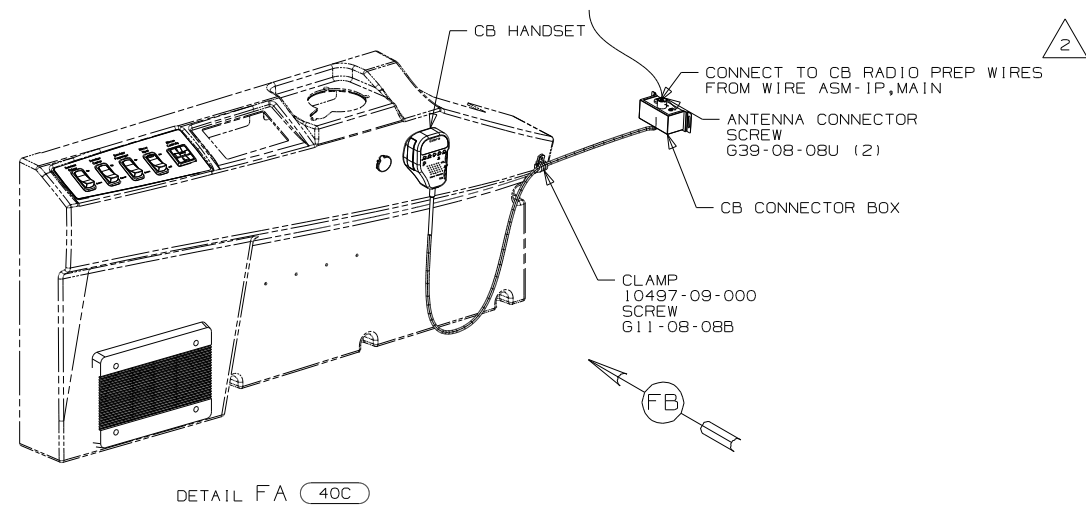
FIRST USED: 09 R&S-SER

TITLE: DO NOT SCALE DRAWING

WIRING INSTL-FRONT END

SHEET 5 PART NO 165549 REV

DATE: 7/22/2008



2 CONNECT RED FROM CONNECTOR BOX TO YELLOW IN IP,MAIN AND BLK/RED TO WHITE.

1. ALL STANDARD GAUGES, RETAINER CLIPS AND FASTENERS ARE CHASSIS SUPPLIED.

NOTES:

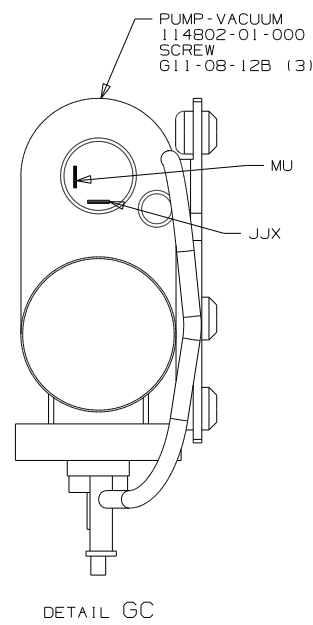
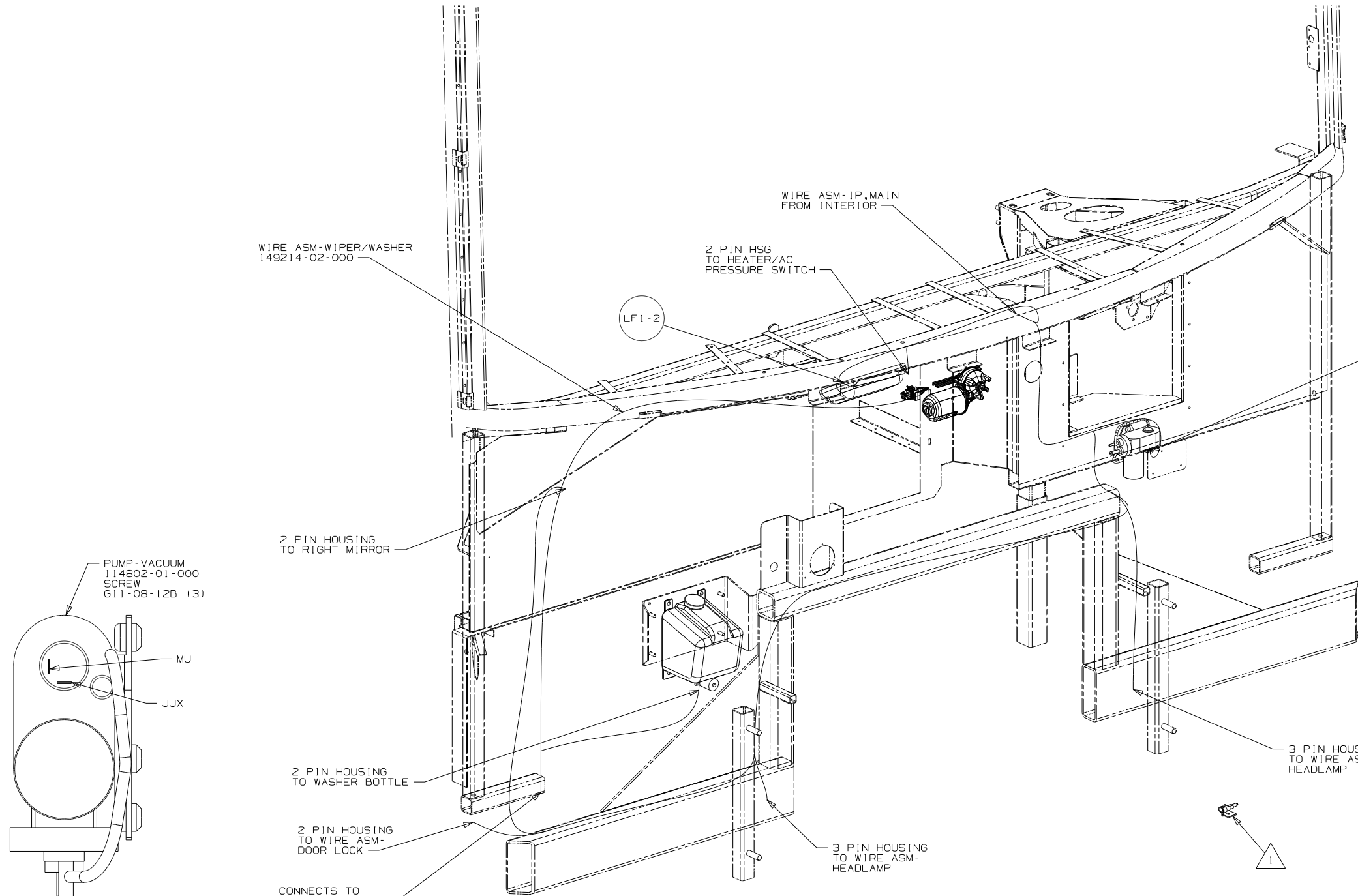
- 40C RADIO - CB
- 265 CODES/STANDARDS - CSA/CMVSS
- 1B1 CODES/STANDARDS USA

1B1 265

FIRST USED	09 R&S-SER
TITLE	DO NOT SCALE DRAWING
	WIRING INSTL-FRONT END
SHEET 6	PART NO 165549 REV

FOR ELECTRICAL TORQUE SPECIFICATIONS SEE DWG NO. 128783-01-000

FOR ELECTRICAL CALLOUTS SEE DWG NO. 121339-01-000



WIRE ASM-WIPER/WASHER
149214-02-000

LF1-2

WIRE ASM-IP, MAIN
FROM INTERIOR

2 PIN HSG
TO HEATER/AC
PRESSURE SWITCH

(2) PIN HOUSING
TO VACUUM PUMP
(DETAIL GC)

2 PIN HOUSING
TO RIGHT MIRROR

PUMP-VACUUM
114802-01-000
SCREW
611-08-12B (3)

MU

JJX

2 PIN HOUSING
TO WASHER BOTTLE

2 PIN HOUSING
TO WIRE ASM-
DOOR LOCK

CONNECTS TO
CHASSIS WIRING

3 PIN HOUSING
TO WIRE ASM-
HEADLAMP

3 PIN HOUSING
TO WIRE ASM-
HEADLAMP

VIEW GA
(CENTER PANEL REMOVED)

NOTES:
1 DRILL 5MM HOLE IN LOWER LIP OF FIBERGLASS IN AREA SHOWN.

FOR ELECTRICAL
TORQUE
SPECIFICATIONS
SEE DWG NO.
128783-01-000

FOR
ELECTRICAL
CALLOUTS
SEE DWG NO.
121339-01-000

265 CODES/STANDARDS-CSA/CMVSS

1B1 CODES/STANDARDS USA

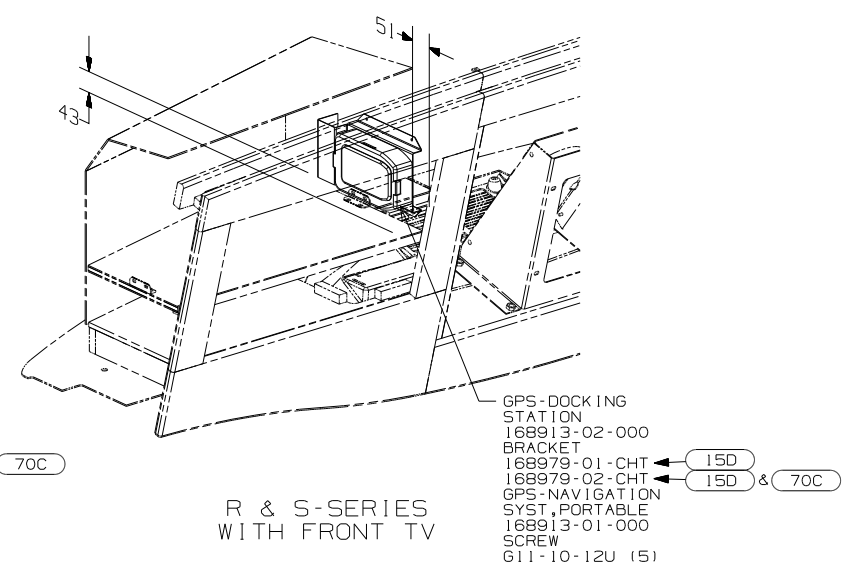
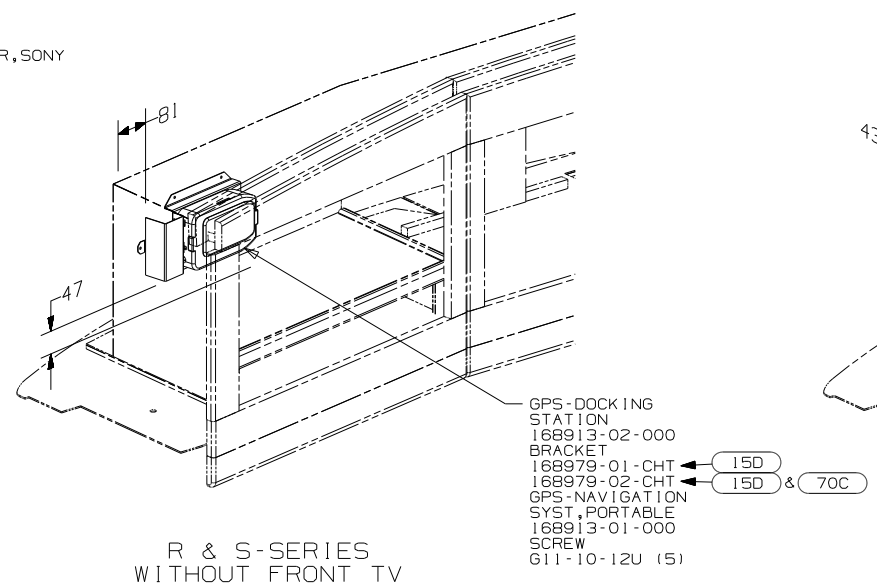
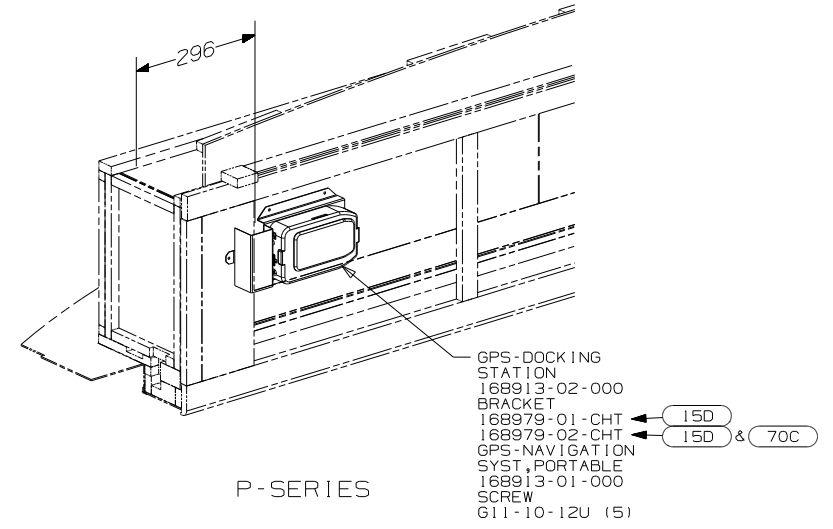
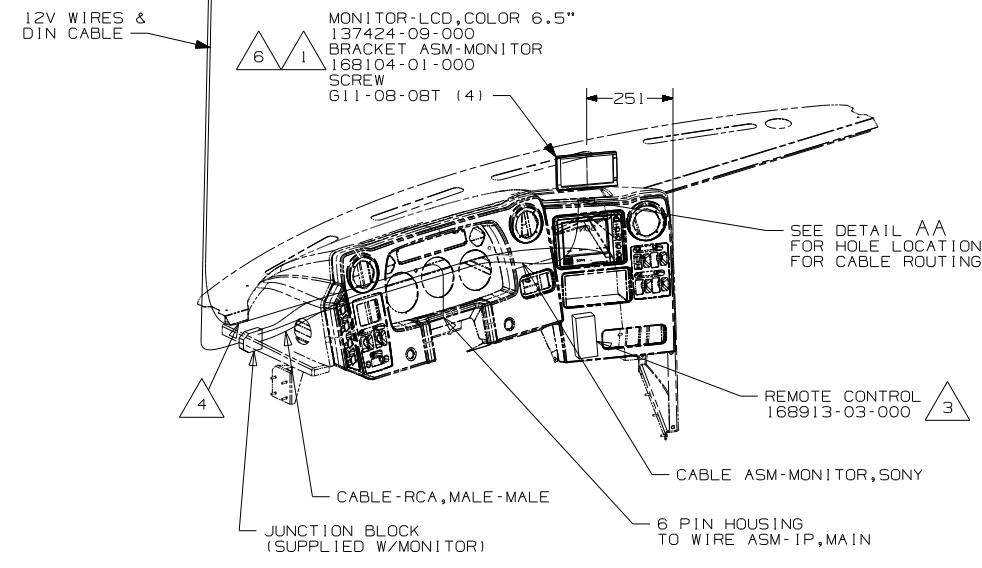
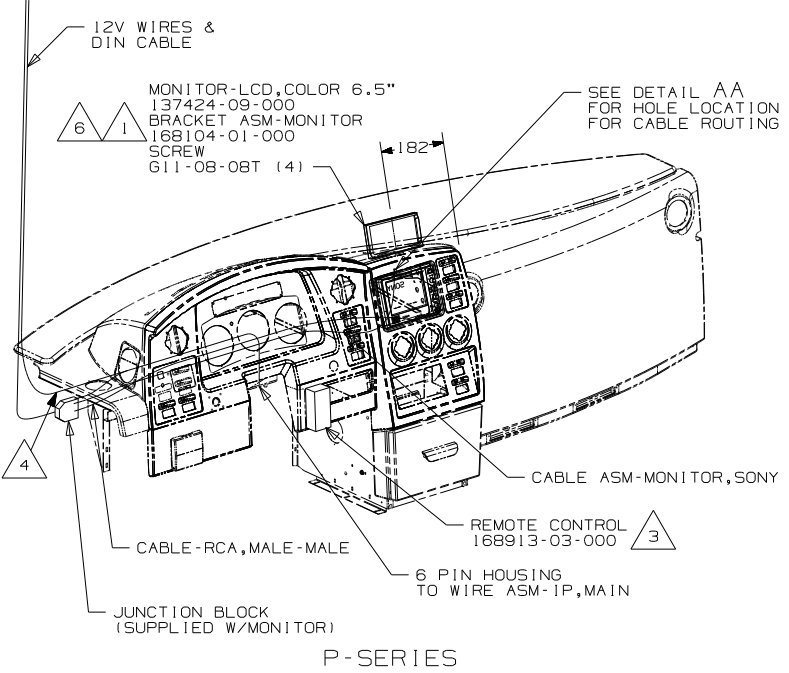
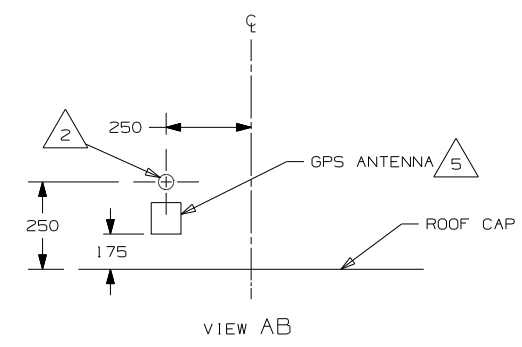
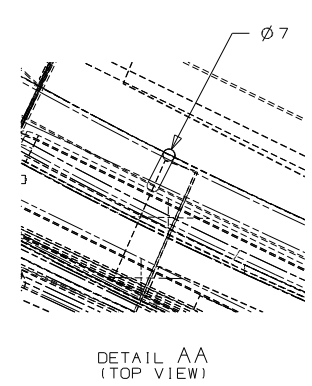
1B1 265

FIRST USED
09 R&S-SER

DO NOT SCALE DRAWING

TITLE:
WIRING INSTL-FRONT END

SHEET 7 PART NO 165549 REV

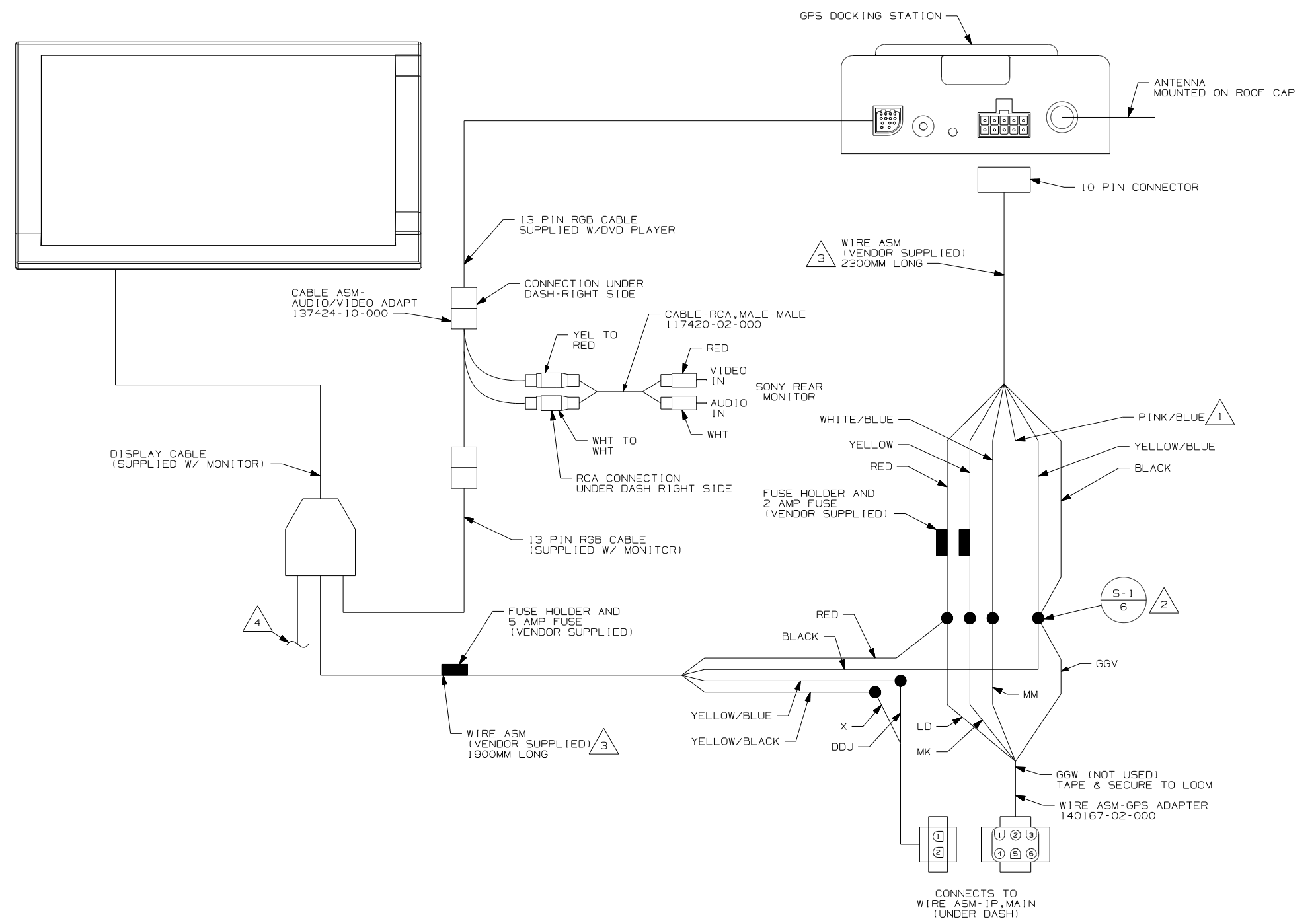


- NOTES:
- 6 MOUNT MONITOR SO IT IS CENTERED ON DASH ABOVE REAR MONITOR.
 - 5 CLEAN ROOF & ANTENNA AND USE TAPE-FOAM, DBL 076322-05 TO ATTACH ANTENNA TO ROOF.
 - 4 SEE SHEET 2 FOR SPLICING INFORMATION.
 - 3 MOUNT REMOTE WITH WITH SUPPLIED BRACKET AND SCREWS.
 - 2 DRILL 15MM HOLE IN FIBERGLASS ROOF CAP AND SLIDE ANTENNA WIRE INTO GROMMET AND SEAL.
 - 1 SAVE MICROPHONE CABLE TO BE PUT IN INFO CASE.

- 70C RADIO - SATELLITE
- 15D GPS-NAVIGATION SYSTEM
- 15D

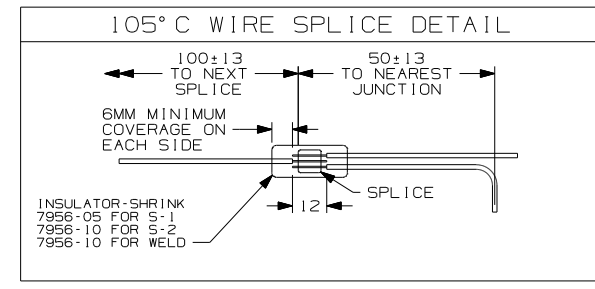
WINNEBAGO		COPYRIGHT 2008 WINNEBAGO INDUSTRIES, INC.	
DFTR	ORIG. DATE	ALL DIMENSIONS ARE IN MILLIMETERS	
CHKR		FIRST USED	
P.E.		09 P, R, S-SER	
M.E.		UNSPECIFIED TOLERANCES ARE:	
DSNR		MATERIAL:	
		WHOLE DIM (X)	: 3
		ONE-PLACE (X, X)	: 1.5
		TWO-PLACE (X, XX)	: 0.50
		ANGLE	: 1°
		THIRD ANGLE PROJECTION	
DO NOT SCALE DRAWING			
TITLE: WIRING INSTL-GPS			
SHEET 1 of 2	PART NO	166425	REV
REF:	1 7/22/2008		

GPS CIRCUIT	FUNCTION	WIN CIRCUIT
YELLOW	BATTERY (+)	MK
BLACK	GROUND	GGV
RED	IGNITION (+)	LD
WHITE/BLUE	ILLUMINATION (+)	MM
ORANGE/WHITE	REVERSE LIGHTS (+)	NOT USED
WHITE/PINK	MONITOR CONTROL	NOT USED
YELLOW/BLUE	PARKING BRAKE (-)	GGV DDJ
PINK/SKY BLUE PINK/BLACK	IN-INT INTERRUPT (-) (AUDIO MUTE)	(NOT USED)
YELLOW/BLACK	FOOT BRAKE (+)	X
WHITE/BROWN	REMOTE	(NOT USED)



- NOTES:
- △ 4 RCA CABLES ARE NOT USED
 - △ 3 CUT WIRE ASM TO AVOID EXCESS WIRE BUNDLING AND TAPE UNUSED WIRES.
 - △ 2 CUT TERMINALS FROM VENDOR SUPPLIED WIRES AND SPLICE AS SHOWN.
 - △ 1 NOT USED, CUT WIRE AND TIE BACK TO LOOM.

FOR ELECTRICAL CALLOUTS SEE DWG NO. 121339-01-000



15D GPS-NAVIGATION SYSTEM	
15D	
FIRST USED 09 P, R, S-SER	
DO NOT SCALE DRAWING	
TITLE: WIRING INSTL-GPS	
SHEET 2	PART NO 166425 REV

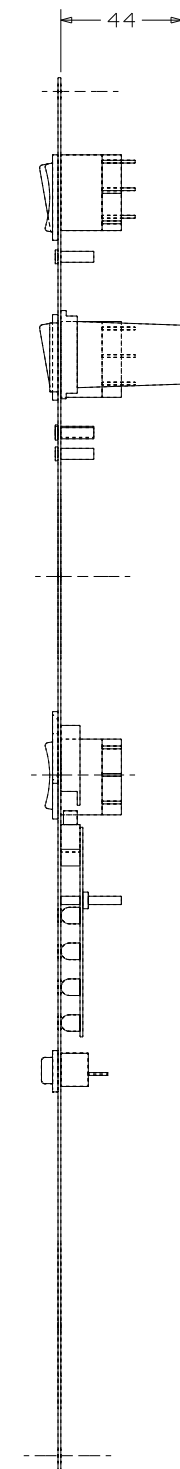
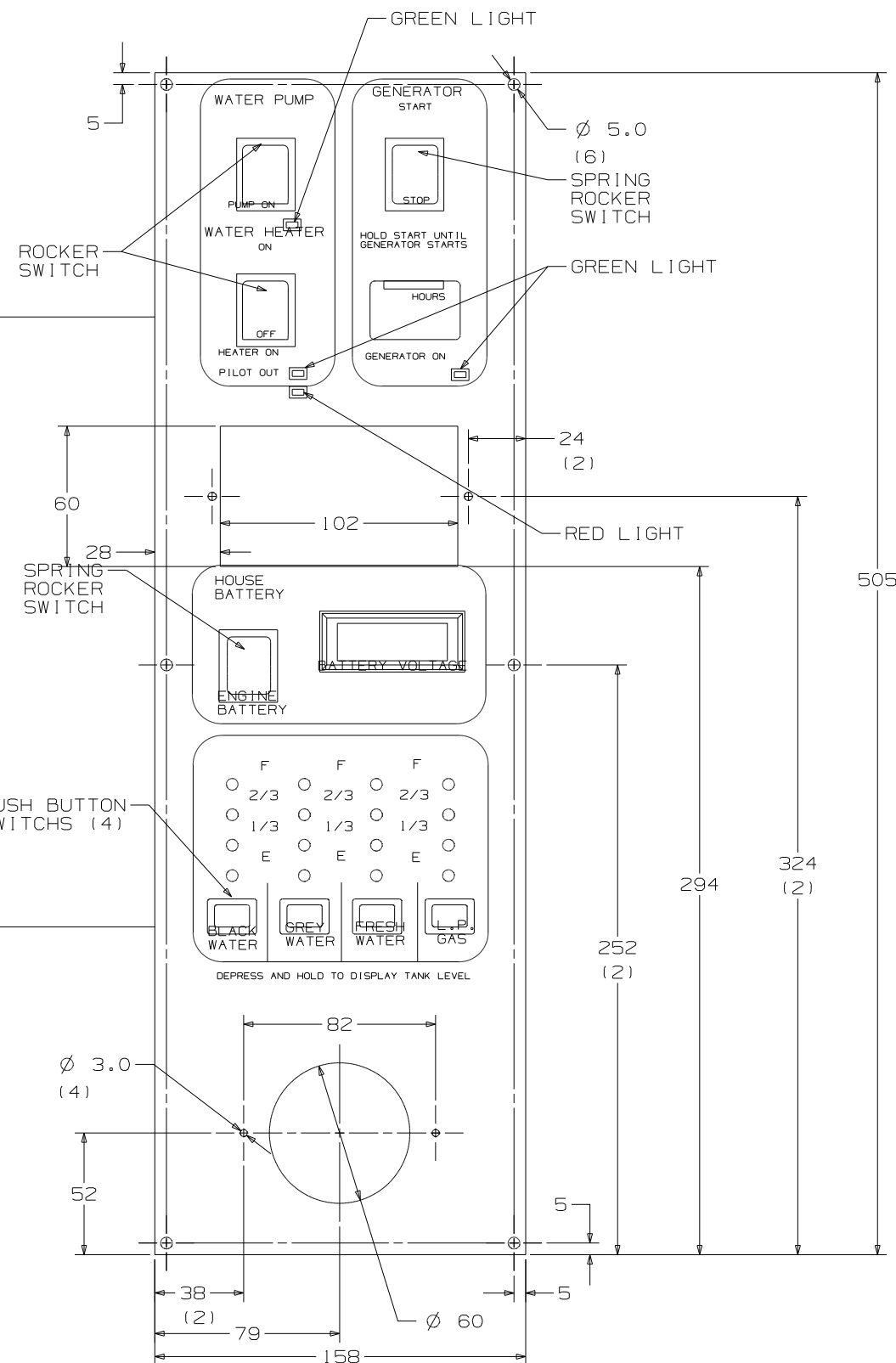
DWG NO	SHEET	DESCRIPTION
133004-01	1	2TK,DIG VOLT
133004-02	2	2T,DIG VOLT,SOLAR
133004-03	3	2TK, W/SOL & PAN
133004-04	4	2TK, W/O WAT HEAT
133004-05	5,6,7	2T,SOLAR/SENSOR
133004-06	8,9,10	2T,SOL/SENS, W/O WTR HRT
133004-07	11,12	2T,SOL/SEN, W/O WTRHTR/EMS

RELEASE	REV DATE	DWG NO	133004
REV ZONE	REVISION RECORD	DATE	DFTR-0R16

- PIN #
- 16 RED GENERATOR METER (+)
 - 16 YEL GENERATOR START
 - 16 GRN GENERATOR STOP
 - 16 BLK GENERATOR (-)
- HOUSING-AMP
(UNIVERSAL MATE-N-LOK)
1-480702-0
CONTACT-PIN
350538-1

- PIN #
- 14 BLK (HOUSE +12VDC)
 - 14 (CHASSIS +12VDC)
 - 14 WHT (GROUND)
 - 20 RED (WATER TANK)
 - 20 BRN (BLACK TANK)
 - 20 GRY (GRAY TANK)
 - 12 RED/WHT (REMOTE WATER PUMP SWITCH)
 - 12 RED (WATER PUMP SWITCH)
 - 12 WHT/RED (REMOTE WATER PUMP)
 11. BLANK
 - 20 WHT/GRN (LP TANK SENSOR)
 - 16 YEL (WATER HEATER IGNITION)
 14. BLANK
 - 20 WHT/BLU (WATER HEATER INDICATOR)
- HOUSING-AMP
(UNIVERSAL MATE-N-LOK)
1-480710-0
CONTACT-PIN
350538-1

- NOTES:
1. SUGGESTED VENDOR: VENLINE.
 2. BLACK PANEL WITH WHITE GRAPHICS.
 3. LETTERS ON MAIN HEADING TO BE 5MM HIGH.
 4. CUTOUT FOR PANEL TO BE 135 X 350 MIN/
140 X 380 MAX.
 5. SWITCH RATING SHALL BE EMBOSSED ON
THE SIDE OF THE 12V SWITCHES.



SEE CHART
FOR COLOR VARIATIONS
OF THIS PART

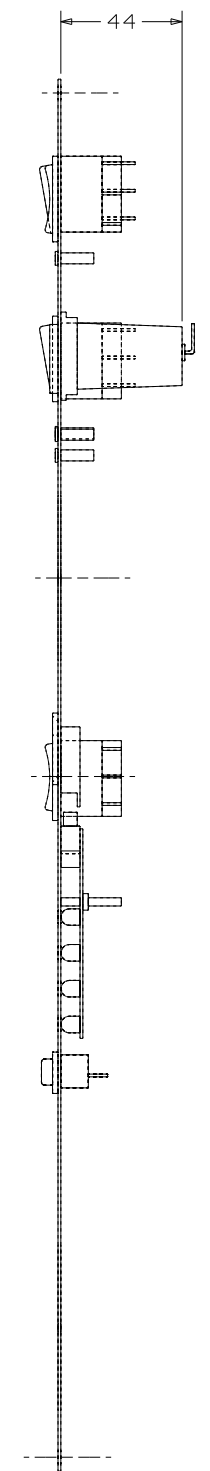
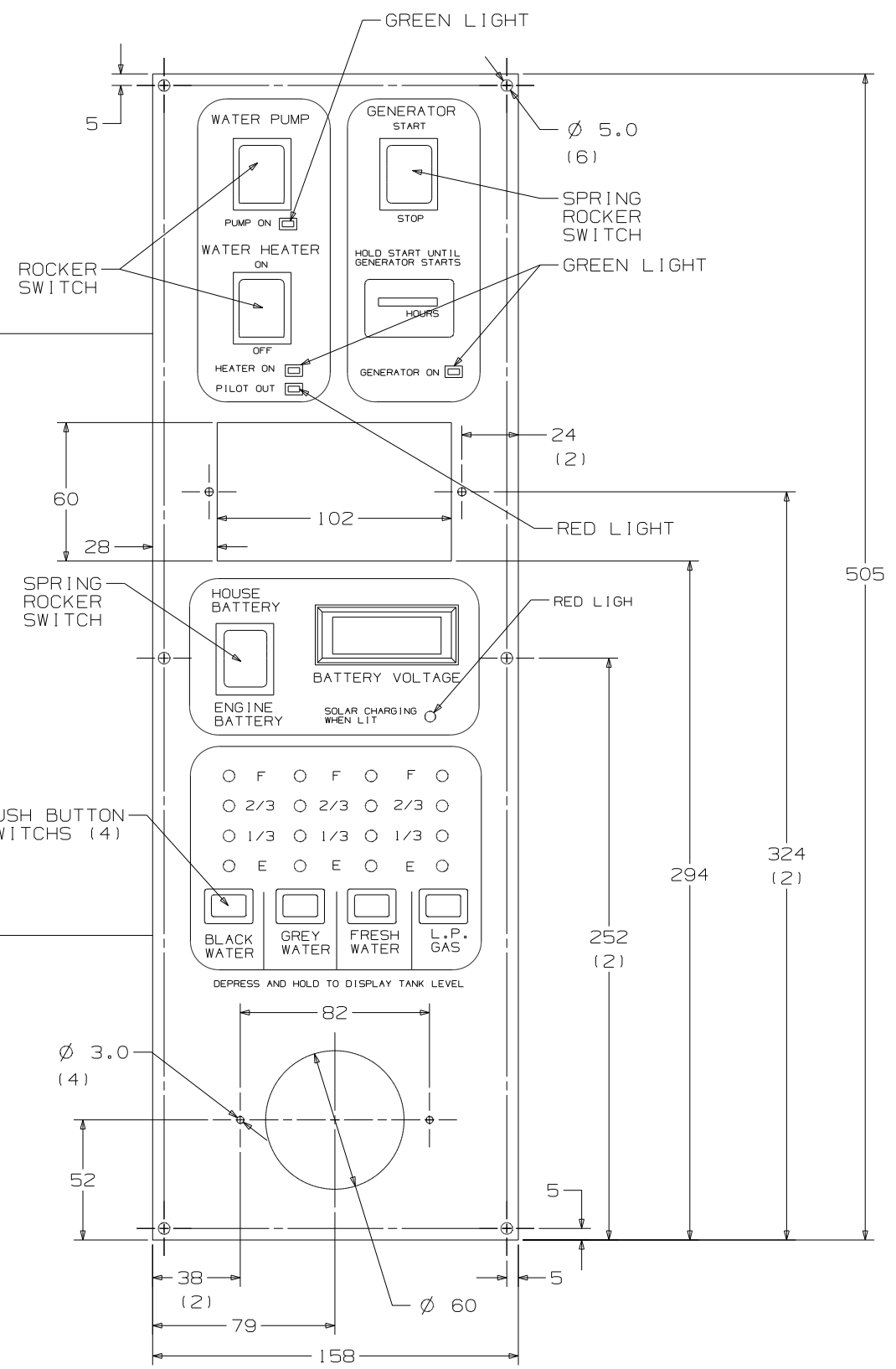
WINNEBAGO		COPYRIGHT 2009 WINNEBAGO INDUSTRIES, INC.	
DFTR	ORIG. DATE	ALL DIMENSIONS ARE IN MILLIMETERS	
CHKR		STANDARDS	
P.E.		FIRST USED	
M.E.			
DSNR			
UNSPECIFIED TOLERANCES ARE:		MATERIAL:	
WHOLE DIM (X)	: 1		
ONE-PLACE (X.X)	:		
TWO-PLACE (X.XX)	:		
ANGLE	:		
THIRD ANGLE PROJECTION			
DO NOT SCALE DRAWING			
TITLE: PANEL-MONITOR			
SHEET 1 OF 12	PART NO	133004	REV
REF:	1 4/20/2009		

- PIN #
- 1. 16 RED GENERATOR METER (+)
 - 2. 16 YEL GENERATOR START
 - 3. 16 GRN GENERATOR STOP
 - 4. 16 BLK GENERATOR (-)

HOUSING-AMP
(UNIVERSAL MATE-N-LOK)
1-480702-0
CONTACT-PIN
350538-1

- PIN #
- 1. 14 BLK (HOUSE +12VDC)
 - 2. 14 (CHASSIS +12VDC)
 - 3. 14 WHT (GROUND)
 - 4. 20 RED (WATER TANK)
 - 5. 20 BRN (BLACK TANK)
 - 6. 20 GRY (GRAY TANK)
 - 7. 12 RED/WHT (REMOTE WATER PUMP SWITCH)
 - 8. 12 RED (WATER PUMP SWITCH)
 - 9. 12 WHT/RED (REMOTE WATER PUMP)
 - 10. BLANK
 - 11. BLANK
 - 12. 20 WHT/GRN (LP TANK SENSOR)
 - 13. 16 YEL (WATER HEATER IGNITION)
 - 14. BLANK
 - 15. 20 WHT/BLU (WATER HEATER INDICATOR)

HOUSING-AMP
(UNIVERSAL MATE-N-LOK)
1-480710-0
CONTACT-PIN
350538-1



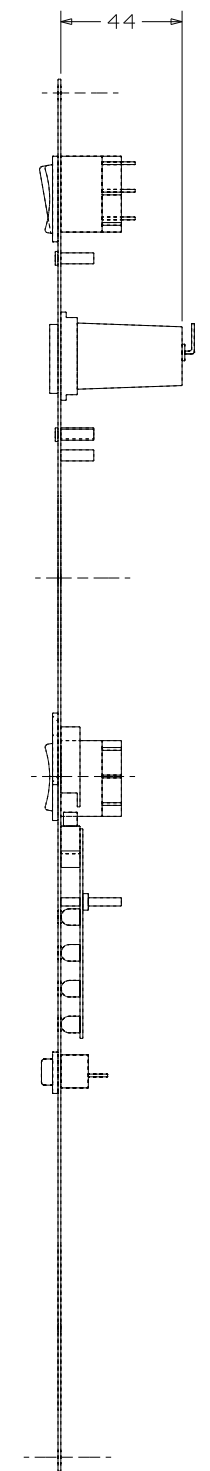
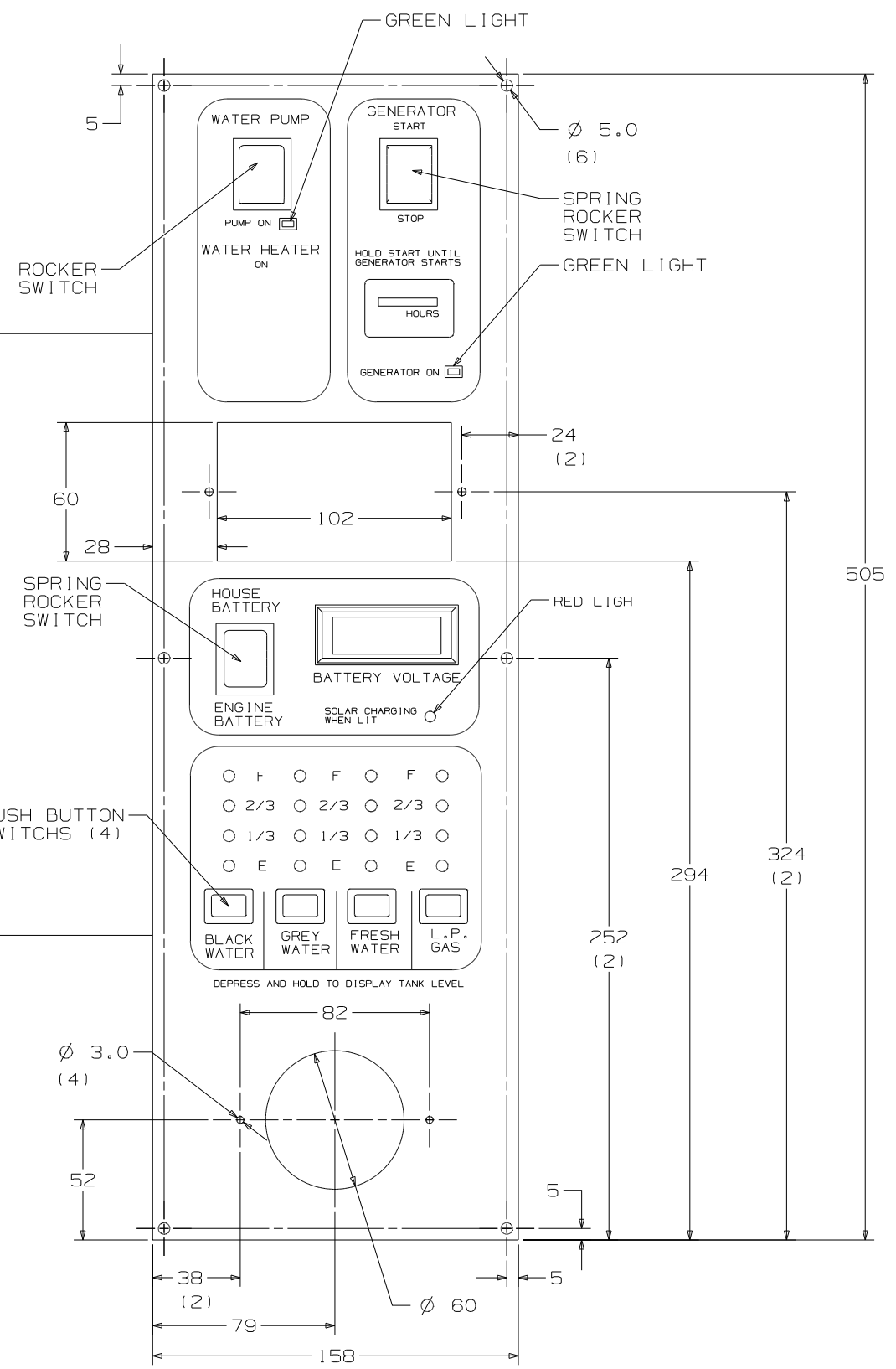
FIRST USED	STANDARDS		
TITLE:	DO NOT SCALE DRAWING		
SHEET 2	PART NO	133004	REV

PIN #
 1. 16 RED GENERATOR METER (+)
 2. 16 YEL GENERATOR START
 3. 16 GRN GENERATOR STOP
 4. 16 BLK GENERATOR (-)

HOUSING-AMP
 (UNIVERSAL MATE-N-LOK)
 1-480702-0
 CONTACT-PIN
 350538-1

PIN #
 1. 14 BLK (HOUSE +12VDC)
 2. 14 (CHASSIS +12VDC)
 3. 14 WHT (GROUND)
 4. 20 RED (WATER TANK)
 5. 20 BRN (BLACK TANK)
 6. 20 GRN (GRAY TANK)
 7. 12 RED/WHT (REMOTE WATER PUMP SWITCH)
 8. 12 RED (WATER PUMP SWITCH)
 9. 12 WHT/RED (REMOTE WATER PUMP)
 10. BLANK
 11. BLANK
 12. 20 WHT/GRN (LP TANK SENSOR)
 13. BLANK
 14. BLANK
 15. BLANK

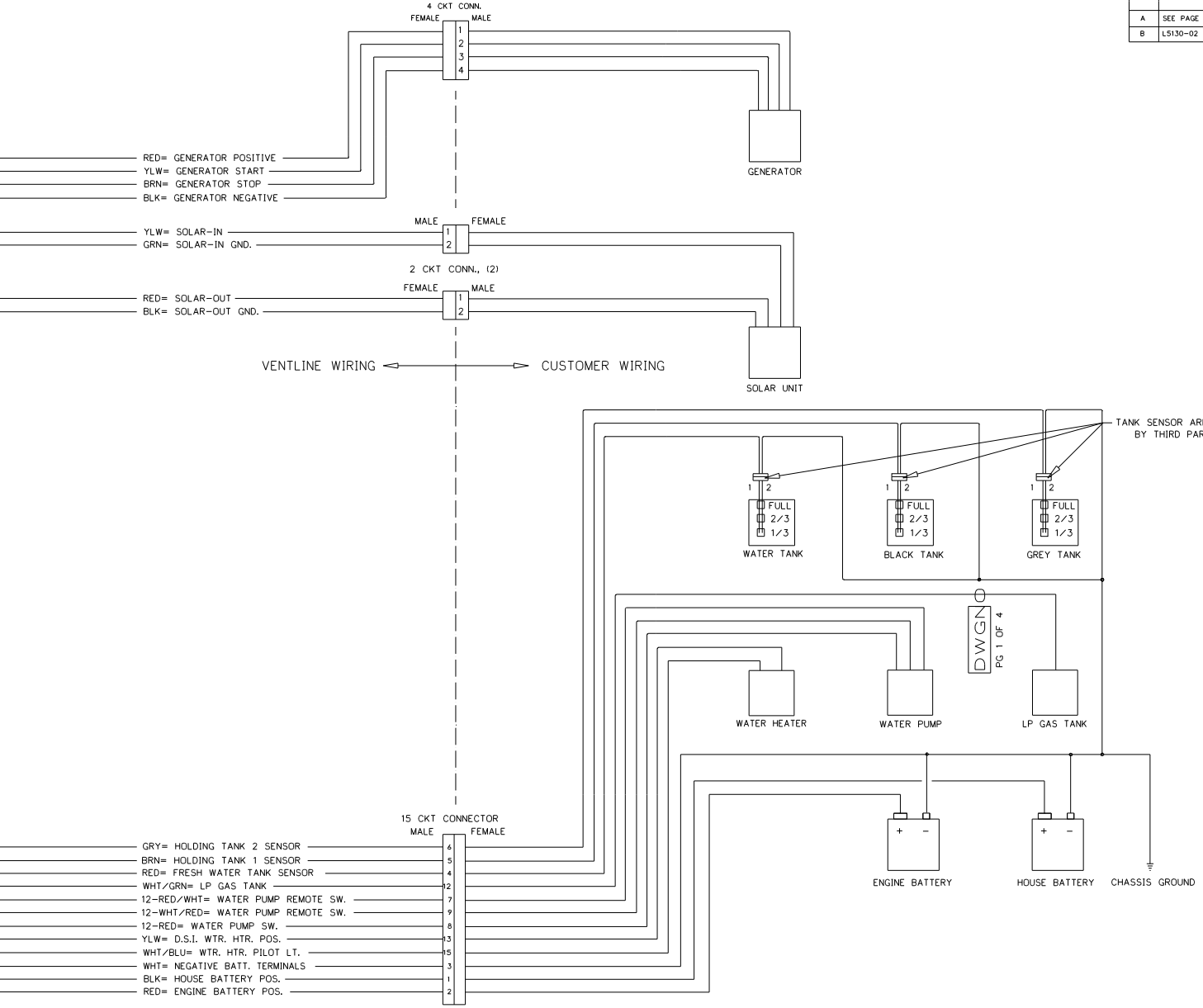
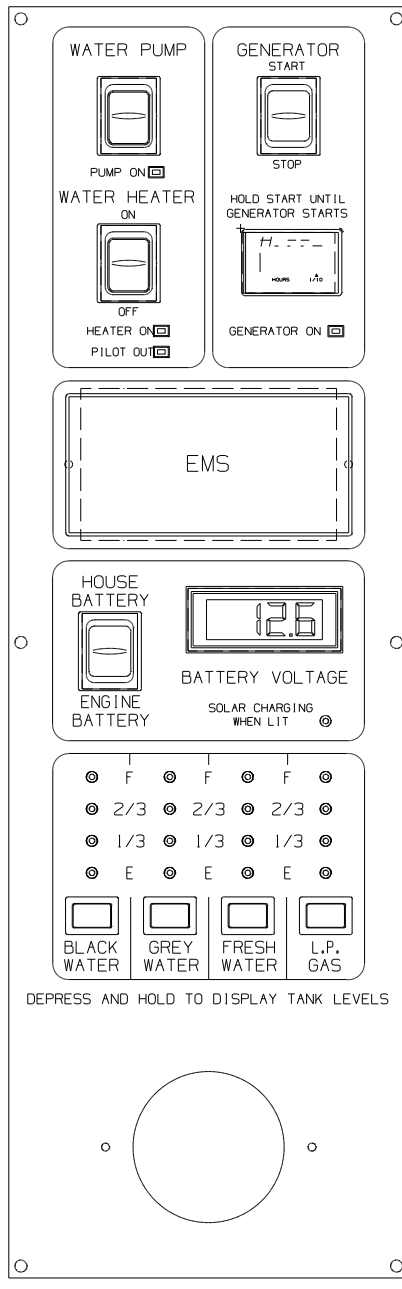
HOUSING-AMP
 (UNIVERSAL MATE-N-LOK)
 1-480710-0
 CONTACT-PIN
 350538-1



FIRST USED	STANDARDS		
TITLE	DO NOT SCALE DRAWING		
SHEET 4	PART NO	133004	REV
			1 4/20/2009

CONFIDENTIAL
THIS DOCUMENT, INCLUDING ALL INFORMATION CONTAINED HEREIN IS THE EXCLUSIVE AND CONFIDENTIAL PROPERTY OF VENTLINE DIVISION OF TOMKINS INDUSTRIES, INC. THE DOCUMENT AND INFORMATION ARE NOT TO BE COPIED, REPRODUCED OR DELIVERED TO OTHERS, IN WHOLE OR IN PART, WITHOUT THE EXPRESS WRITTEN PERMISSION OF VENTLINE. THE DOCUMENT IS TO BE RETURNED PROMPTLY TO VENTLINE AFTER HAVING SERVED THE PURPOSE FOR WHICH DELIVERED.
©1995 VENTLINE DIVISION, TOMKINS INDUSTRIES, INC.
All Rights Reserved, including the right to reproduce this document or any part thereof.

LTR.	DESCRIPTION	DATE	CHK. BY	APP. BY
A	SEE PAGE 3 ECN 16381	ECN 16261	4-6-04	R.L. R.L.
B	L5130-02 WAS L5113-04	ECN 16394	4-21-04	R.L. R.L.



- NOTES:
- UNLESS OTHERWISE SPECIFIED ALL WIRE IS 22 AWG.
 - REF. DWG.'S:
HARNESS, INTERNAL & SWITCH= L7785-01, -02
HARNESS, GEN. INTERNAL & SWITCH= L7786-00
HARNESS, SOLAR LIGHT= L7722-00
PCB= L5130-02
HARNESS, TEST= L8012-00
TEST BOX= L8504-00
 - ALL PIGTAILS TO BE SUPPLIED BY CUSTOMER.
 - BEFORE PACKING, SECURE HARNESS WITH V00169-00 TIE WRAP ON RIGHT SIDE POST.

ENGLISH (TOLERANCE UNLESS SPECIFIED)
0 PL.:.040
2 PL.:.010
FRACTIONS 1/64

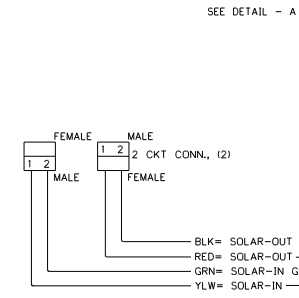
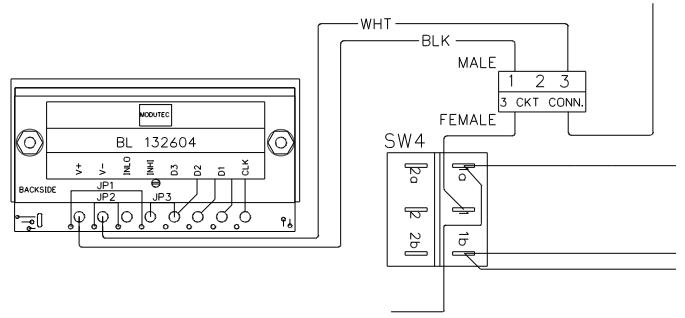
PART NO.	REV'D	MATERIAL	DESCRIPTION	DWG SIZE
BLANK	BLANK	WGT	USED	USED ON
DRAWN	DATE	MATERIAL	NAME	SCALE
DRWDATE	DATE	MATL	DWGNAME	SCALE
CHECKED	DATE	NAME	DWGNAME	DWGNO
CHECKDATE	DATE	NAME	DWGNAME	DWGNO
APPV'D	DATE	NAME	DWGNAME	DWGNO

FIRST USED	STANDARD
TITLE	DO NOT SCALE DRAWING
TITLE	PANEL - MONITOR
SHEET 5	PART NO 133004 REV

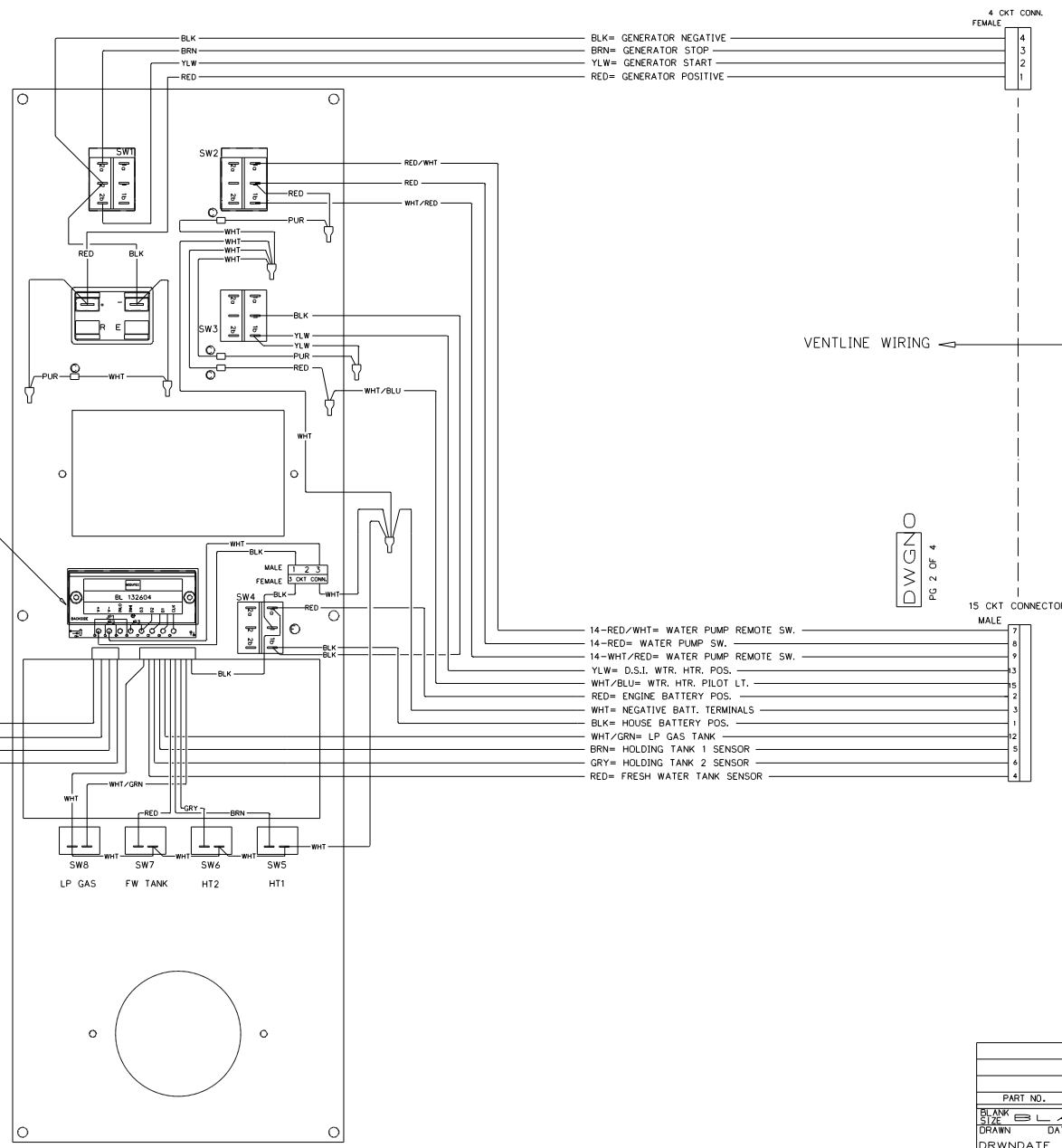
CONFIDENTIAL
 THIS DOCUMENT, INCLUDING ALL INFORMATION CONTAINED HEREIN, IS THE EXCLUSIVE AND CONFIDENTIAL PROPERTY OF VENTLINE DIVISION OF TOMKINS INDUSTRIES, INC. THE DOCUMENT AND INFORMATION HEREIN IS NOT TO BE COPIED, REPRODUCED OR DELIVERED TO OTHERS, IN WHOLE OR IN PART, WITHOUT THE EXPRESS WRITTEN PERMISSION OF VENTLINE. THE DOCUMENT IS TO BE RETURNED PROMPTLY TO VENTLINE AFTER HAVING SERVED THE PURPOSE FOR WHICH DELIVERED.
 ©1995 VENTLINE DIVISION, TOMKINS INDUSTRIES, INC.
 All Rights Reserved, including the right to reproduce this document in any part thereof.

LTR.	DESCRIPTION	DATE	CHK'D	APP'D
	ECN 16261			
A	SEE PAGE 3 ECN 16381	4-6-04	RUL	RUL
B	LS130-02 WAS LS113-04 ECN 16394	4-21-04	RUL	RUL

DETAIL - A



- NOTES:
- UNLESS OTHERWISE SPECIFIED ALL WIRE IS 22 AWG.
 - REF. DWG.'S:
 HARNESS, INTERNAL & SWITCH= L7785-01, -02
 HARNESS, GEN. INTERNAL & SWITCH= L7786-00
 HARNESS, SOLAR LIGHT= L7722-00
 PCB= L5130-02
 HARNESS, TEST= L8012-00
 TEST BOX= L8506-00
 - ALL PIGTAILS TO BE SUPPLIED BY CUSTOMER.
 - BEFORE PACKING, SECURE HARNESS WITH VDO167-00 TIE WRAP ON RIGHT SIDE POST.



BLK= GENERATOR NEGATIVE
 BRN= GENERATOR STOP
 YLW= GENERATOR START
 RED= GENERATOR POSITIVE

14-RED/WHT= WATER PUMP REMOTE SW.
 14-RED= WATER PUMP SW.
 14-WHT/RED= WATER PUMP REMOTE SW.
 YLW= D.S.I. WTR. HTR. POS.
 WHT/BLU= WTR. HTR. PILOT LT.
 RED= ENGINE BATTERY POS.
 WHT= NEGATIVE BATT. TERMINALS
 BLK= HOUSE BATTERY POS.
 WHT/GRN= LP GAS TANK
 BRN= HOLDING TANK 1 SENSOR
 GRY= HOLDING TANK 2 SENSOR
 RED= FRESH WATER TANK SENSOR

DWG NO
 PG 2 OF 4

ENGLISH (TOLERANCE UNLESS SPECIFIED)
 0 PL.: .040 1 PL.: .020
 2 PL.: .010 3 PL.: .005
 FRACTIONS: 1/64

PART NO.	REV'D	MATERIAL	DESCRIPTION	DWG SIZE
BLANK		BLANK	WGT USED	USED ON
DATE		MATERIAL		
DRWN DATE		MATL	MATL	
CHECKED DATE				
CHECKED DATE				
APPV'D DATE				

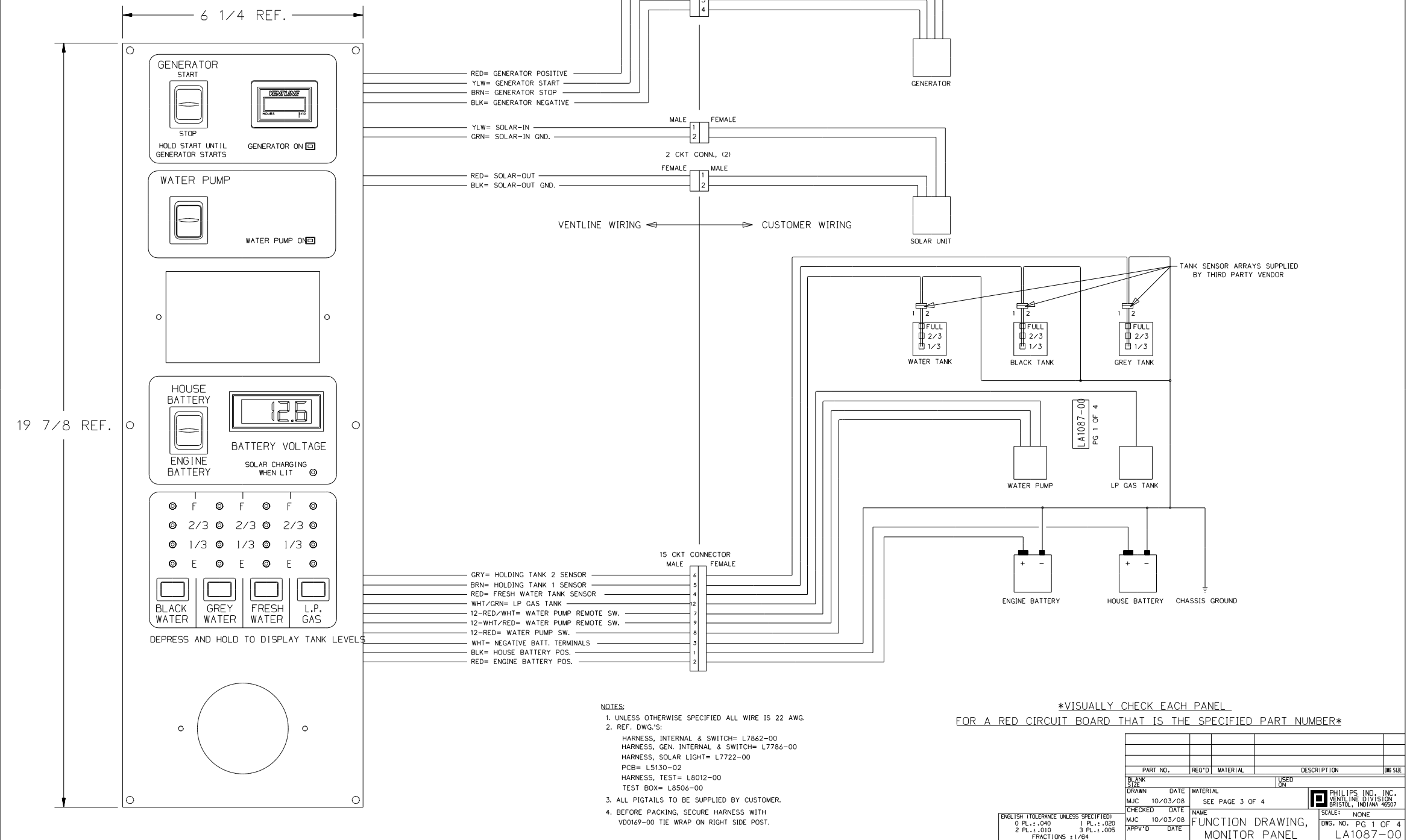
PHILIPS IND. INC.
 VENTLINE DIVISION
 BRISTOL, INDIANA 46507

SCALE: SCALE
 DWG. NO. PG 2 OF 4
 DWGNO

FIRST USED	STANDARD
TITLE	DO NOT SCALE DRAWING
TITLE	PANEL - MONITOR
SHEET 7	PART NO 133004 REV

CONFIDENTIAL
 THIS DOCUMENT, INCLUDING ALL INFORMATION CONTAINED HEREIN, IS THE EXCLUSIVE AND CONFIDENTIAL PROPERTY OF VENTLINE DIVISION OF TOMKINS INDUSTRIES, INC. THE DOCUMENT AND INFORMATION ARE NOT TO BE COPIED, REPRODUCED OR DELIVERED TO OTHERS, IN WHOLE OR IN PART, WITHOUT THE EXPRESS WRITTEN PERMISSION OF VENTLINE. THE DOCUMENT IS TO BE RETURNED PROMPTLY TO VENTLINE AFTER HAVING SERVED THE PURPOSE FOR WHICH ISSUED.
 ©1995 VENTLINE DIVISION, TOMKINS INDUSTRIES, INC.
 All Rights Reserved, including the right to reproduce this document or any part thereof.

LTR.	DESCRIPTION	DATE	CHK. BY	CHK. BY
REL	RELEASED FOR PRODUCTION. ECN 17419	10/03/08	MJC	MJC



- NOTES:
- UNLESS OTHERWISE SPECIFIED ALL WIRE IS 22 AWG.
 - REF. DWG.'S:
 HARNESS, INTERNAL & SWITCH= L7862-00
 HARNESS, GEN. INTERNAL & SWITCH= L7786-00
 HARNESS, SOLAR LIGHT= L7722-00
 PCB= L5130-02
 HARNESS, TEST= L8012-00
 TEST BOX= L8506-00
 - ALL PIGTAILS TO BE SUPPLIED BY CUSTOMER.
 - BEFORE PACKING, SECURE HARNESS WITH VD0169-00 TIE WRAP ON RIGHT SIDE POST.

VISUALLY CHECK EACH PANEL FOR A RED CIRCUIT BOARD THAT IS THE SPECIFIED PART NUMBER

ENGLISH (TOLERANCE UNLESS SPECIFIED)	
0 PL.: .040	1 PL.: .020
2 PL.: .010	3 PL.: .005
FRACTIONS: 1/64	

PART NO.	REV'D	MATERIAL	DESCRIPTION	DWG. SIZE
BLANK SIZE			USED ON	
DRAWN	DATE	MATERIAL		
MJC	10/03/08	SEE PAGE 3 OF 4		
CHECKED	DATE	NAME		
MJC	10/03/08			
APP'VD	DATE			

PHILLIPS IND. INC.
 VENTLINE DIVISION
 BRISTOL, INDIANA 46507

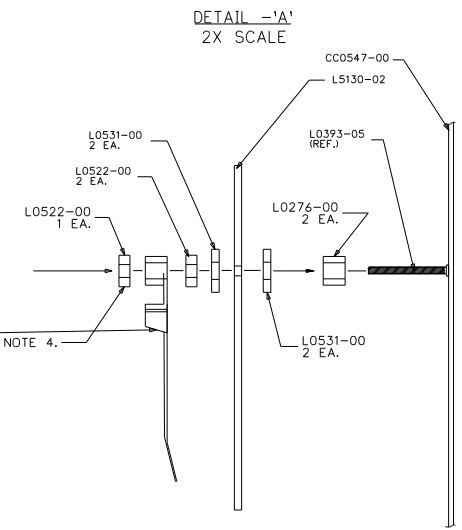
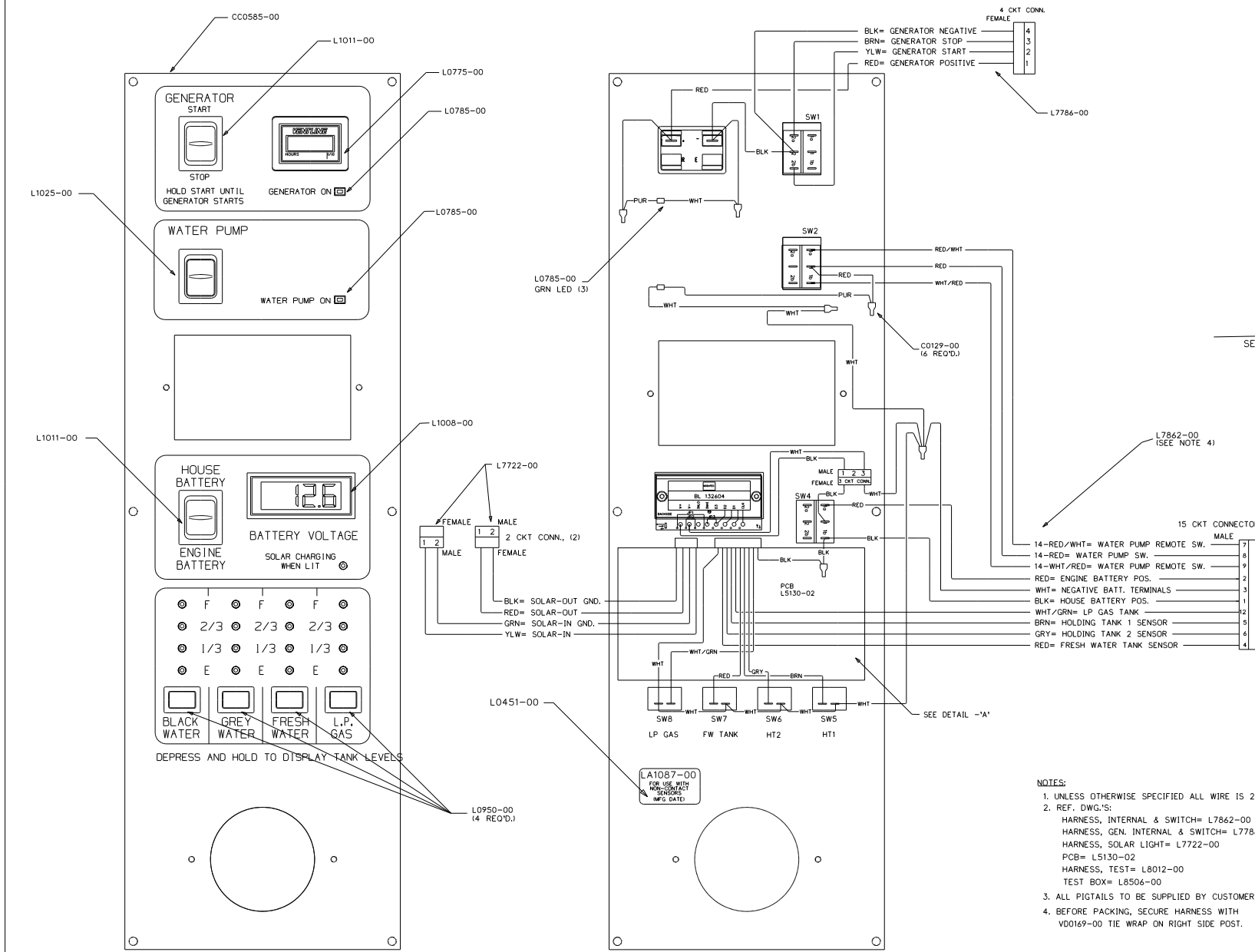
SCALE: NONE
 DWG. NO. PG 1 OF 4
 LA1087-00

FUNCTION DRAWING,
 MONITOR PANEL

FIRST USED	10 R40CD
TITLE:	DO NOT SCALE DRAWING
	PANEL - MONITOR
SHEET 8	PART NO 133004 REV

CONFIDENTIAL
THIS DOCUMENT, INCLUDING ALL INFORMATION CONTAINED HEREIN IS THE EXCLUSIVE AND CONFIDENTIAL PROPERTY OF VENTLINE DIVISION OF TOMKINS INDUSTRIES, INC. THE DOCUMENT AND INFORMATION ARE NOT TO BE COPIED, REPRODUCED, OR DISCLOSED TO OTHERS, IN WHOLE OR IN PART, WITHOUT THE EXPRESS WRITTEN PERMISSION OF VENTLINE. THE DOCUMENT IS TO BE RETURNED PROMPTLY TO VENTLINE AFTER HAVING SERVED THE PURPOSE FOR WHICH DELIVERED.
©1995 VENTLINE DIVISION, TOMKINS INDUSTRIES, INC.
All Rights Reserved, including the right to reproduce this document or any part thereof.

LTN.	DESCRIPTION	DATE	CHK'D	APP'D
REL	RELEASED FOR PRODUCTION.	ECN 17419	10/03/08	MJC MJC



LA1087-00
FOR USE WITH
NON-CONTACT
SENSORS
(MFG DATE)

PRODUCT LABEL
PRINTING DETAIL
NO SCALE

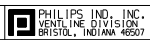
V00169-00	1	TIE WRAP		
V00478-00	.2	FOAM PAD		
L7786-00	1	HARNES, GENERATOR INT. & SW.		
L7862-00	1	HARNES, INTERNAL & SWITCH		
L7722-00	1	HARNES, SOLAR LT.		
L5130-02	1	PCB		
L1025-00	1	SWICH, DPDT, ON-ON		
L1011-00	2	SWICH, DPDT, (ON)-OFF-(ON)		
L1008-00	1	DIGITAL PANEL METER		
L0950-00	4	SW., SPND, (ON)-OFF PB		
L0785-00	2	LED, PANEL MOUNT, GRN		
L0775-00	1	HOBBS HOUR METER		
L0531-00	4	FIBER WASHER		
L0522-00	3	HEX NUT, 6-32		
L0451-00	1	LABEL		
L0276-00	2	PCB SPACER, .25"		
C0129-00	6	CONN., PARALLEL CRIMP		
C00499-00	.1	CARTON		
C00393-00	.1	CARTON LABEL		
CC0585-00	1	SCREENED CHASSIS		
CE0376-02	1	ANTI-STATIC POLY BAG		
PART NO.	REQ'D	MATERIAL	DESCRIPTION	QTY

- NOTES:
- UNLESS OTHERWISE SPECIFIED ALL WIRE IS 22 AWG.
 - REF. DWG.'S:
HARNES, INTERNAL & SWITCH= L7862-00
HARNES, GEN. INTERNAL & SWITCH= L7786-00
HARNES, SOLAR LIGHT= L7722-00
PCB= L5130-02
HARNES, TEST= L8012-00
TEST BOX= L8506-00
 - ALL PIGTAILS TO BE SUPPLIED BY CUSTOMER.
 - BEFORE PACKING, SECURE HARNES WITH V00169-00 TIE WRAP ON RIGHT SIDE POST.

*VISUALLY CHECK EACH PANEL
FOR A RED CIRCUIT BOARD THAT IS THE SPECIFIED PART NUMBER*

ENGLISH TOLERANCE (UNLESS SPECIFIED)
0 PL.: .040 1 PL.: .020
2 PL.: .010 3 PL.: .005
FRACTIONS: 1/64

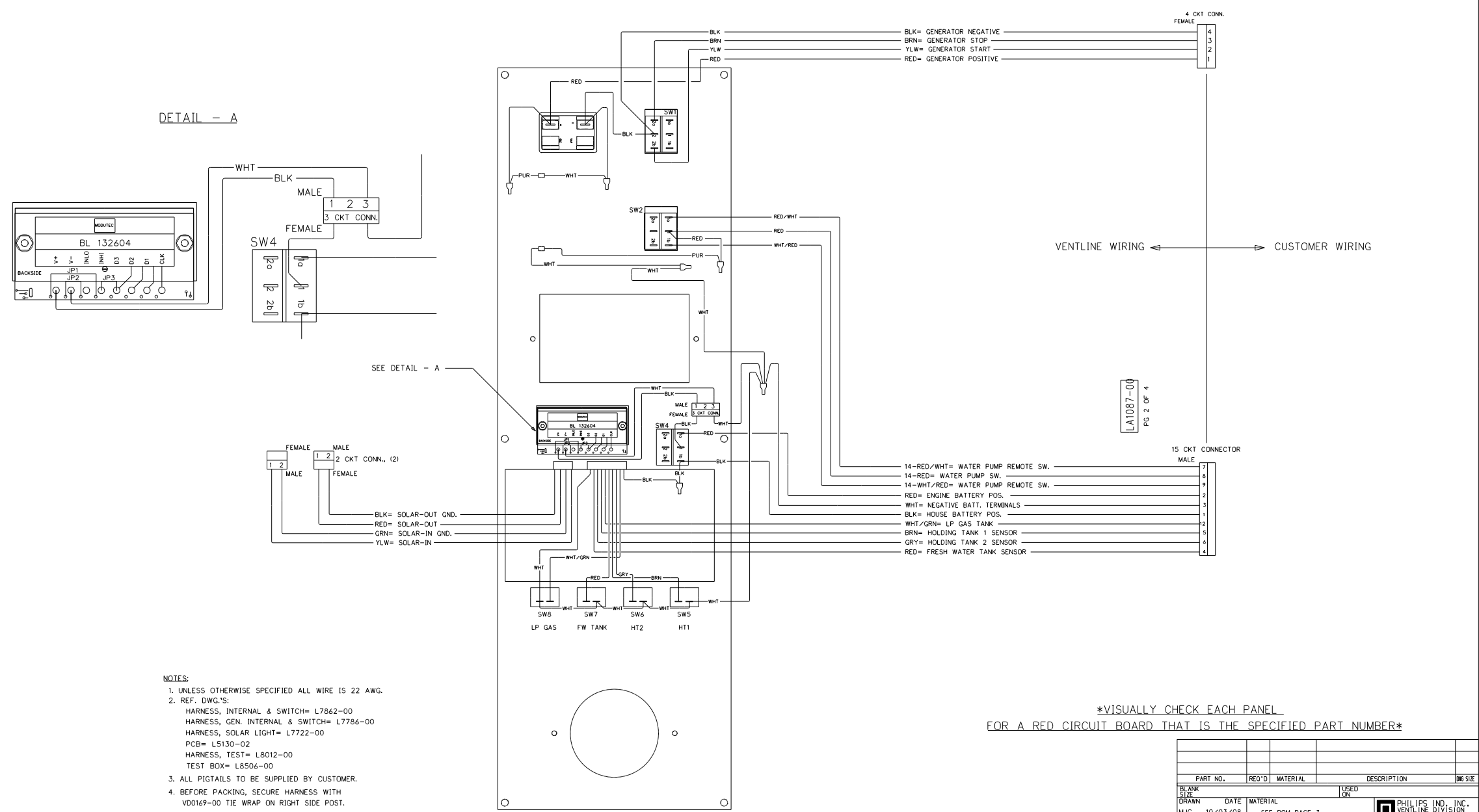
BLANK SIZE	DATE	MATERIAL	USED ON
MJC	10/03/08	SEE BOM	
CHECKED	DATE	NAME	SCALE: NONE
MJC	10/03/08	ASSEMBLY DRAWING,	DWG. NO. PG 3 OF 4
APPR'D	DATE	MONITOR PANEL	LA1087-00



FIRST USED	10 R40CD
TITLE:	DO NOT SCALE DRAWING
	PANEL - MONITOR
SHEET 9	PART NO 133004 REV

CONFIDENTIAL
 THIS DOCUMENT, INCLUDING ALL INFORMATION CONTAINED HEREIN IS THE EXCLUSIVE AND CONFIDENTIAL PROPERTY OF VENTLINE DIVISION OF TOMKINS INDUSTRIES INC. THE DOCUMENT AND INFORMATION ARE NOT TO BE COPIED, REPRODUCED OR DELIVERED TO OTHERS, IN WHOLE OR IN PART, WITHOUT THE EXPRESS WRITTEN PERMISSION OF VENTLINE. THE DOCUMENT IS TO BE RETURNED PROMPTLY TO VENTLINE AFTER HAVING SERVED THE PURPOSE FOR WHICH DELIVERED.
 ©2008 VENTLINE DIVISION, TOMKINS INDUSTRIES, INC.
 All Rights Reserved, including the right to reproduce this document or any part thereof.

LTR.	DESCRIPTION	DATE	CHK BY	DES BY
REL	RELEASED FOR PRODUCTION. ECN 17419	10/03/08	MJC	MJC



DETAIL - A

- NOTES:**
- UNLESS OTHERWISE SPECIFIED ALL WIRE IS 22 AWG.
 - REF. DWG.'S:
 HARNESS, INTERNAL & SWITCH= L7842-00
 HARNESS, GEN. INTERNAL & SWITCH= L7786-00
 HARNESS, SOLAR LIGHT= L7722-00
 PCB= L5130-02
 HARNESS, TEST= L8012-00
 TEST BOX= L8506-00
 - ALL PIGTAILS TO BE SUPPLIED BY CUSTOMER.
 - BEFORE PACKING, SECURE HARNESS WITH VD0169-00 TIE WRAP ON RIGHT SIDE POST.

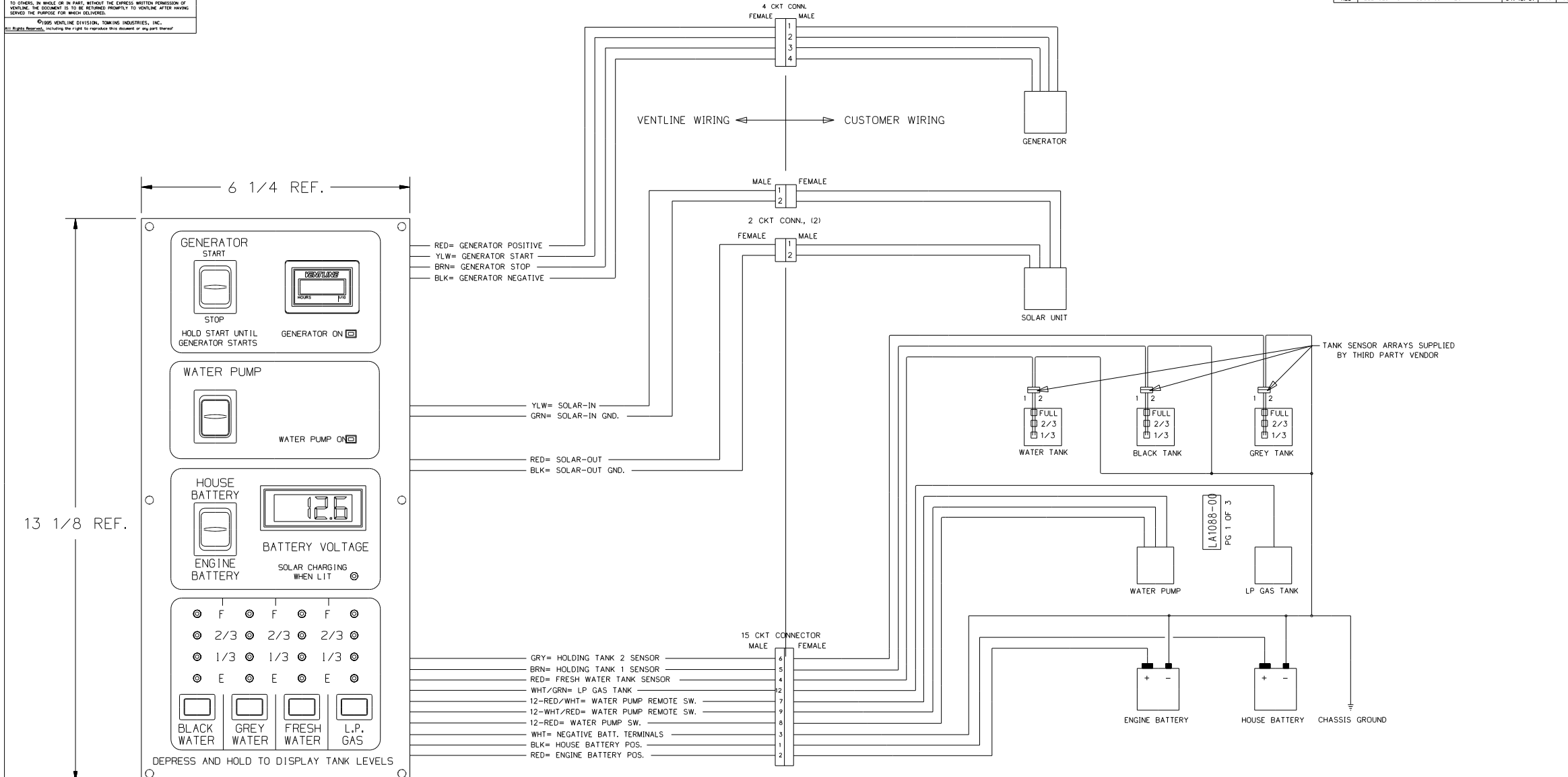
VISUALLY CHECK EACH PANEL FOR A RED CIRCUIT BOARD THAT IS THE SPECIFIED PART NUMBER

BLANK SIZE	PART NO.	REV'D	MATERIAL	DESCRIPTION	DWG SIZE
DRAWN	DATE	MATERIAL	USED	PHILIPS IND. INC.	
MJC	10/03/08	SEE BOM PAGE 3	ION	VENTLINE DIVISION	
CHECKED	DATE	NAME		BRISTOL, INDIANA 46507	
MJC	10/03/08			SCALE: NONE	
APPV'D	DATE			WIRE DRAWING, MONITOR PANEL	
				DWG. NO. PG 2 OF 4	
				LA1087-00	

FIRST USED	10 R40CD
TITLE:	DO NOT SCALE DRAWING
	PANEL - MONITOR
SHEET 10	PART NO 133004 REV

CONFIDENTIAL
 THIS DOCUMENT, INCLUDING ALL INFORMATION CONTAINED HEREIN, IS THE EXCLUSIVE AND CONFIDENTIAL PROPERTY OF VENTLINE DIVISION OF TOMING INDUSTRIES, INC. THE DOCUMENT AND INFORMATION ARE NOT TO BE COPIED, REPRODUCED OR DELIVERED TO OTHERS, IN WHOLE OR IN PART, WITHOUT THE EXPRESS WRITTEN PERMISSION OF VENTLINE. THE DOCUMENT IS TO BE RETURNED PROMPTLY TO VENTLINE AFTER HAVING SERVED THE PURPOSE FOR WHICH DELIVERED.
 ©2008 VENTLINE DIVISION, TOMING INDUSTRIES, INC.
 All Rights Reserved, including the right to reproduce this document at any time hereafter.

LT#	DESCRIPTION	DATE	DESIGN	CHK'D
REL	RELEASED FOR PRODUCTION	EON 17491	04/16/09	MJC



6 1/4 REF.

13 1/8 REF.

RED= GENERATOR POSITIVE
 YLW= GENERATOR START
 BRN= GENERATOR STOP
 BLK= GENERATOR NEGATIVE

YLW= SOLAR-IN
 GRN= SOLAR-IN GND.
 RED= SOLAR-OUT
 BLK= SOLAR-OUT GND.

GRY= HOLDING TANK 2 SENSOR
 BRN= HOLDING TANK 1 SENSOR
 RED= FRESH WATER TANK SENSOR
 WHT/GRN= LP GAS TANK
 12-RED/WHT= WATER PUMP REMOTE SW.
 12-WHT/RED= WATER PUMP REMOTE SW.
 12-RED= WATER PUMP SW.
 WHT= NEGATIVE BATT. TERMINALS
 BLK= HOUSE BATTERY POS.
 RED= ENGINE BATTERY POS.

DEPRESS AND HOLD TO DISPLAY TANK LEVELS

- NOTES:**
- UNLESS OTHERWISE SPECIFIED ALL WIRE IS 22 AWG.
 - REF. DWG.'S:
 HARNESS, INTERNAL & SWITCH= L7862-00
 HARNESS, GEN. INTERNAL & SWITCH= L7786-00
 HARNESS, SOLAR LIGHT= L7722-00
 PCB= L5130-02
 HARNESS, TEST= L8012-00
 TEST BOX= L8506-00
 - ALL PIGTAILS TO BE SUPPLIED BY CUSTOMER.
 - BEFORE PACKING, SECURE HARNESS WITH V00169-00 TIE WRAP ON RIGHT SIDE POST.
 - LA1088-00 IS IDENTICAL IN FUNCTION TO LA1087-00.

VISUALLY CHECK EACH PANEL FOR A RED CIRCUIT BOARD THAT IS THE SPECIFIED PART NUMBER

ENGLISH (TOLERANCE UNLESS SPECIFIED)
 0 PL.: .040 1 PL.: .020
 2 PL.: .010 3 PL.: .005
 FRACTIONS: 1/64

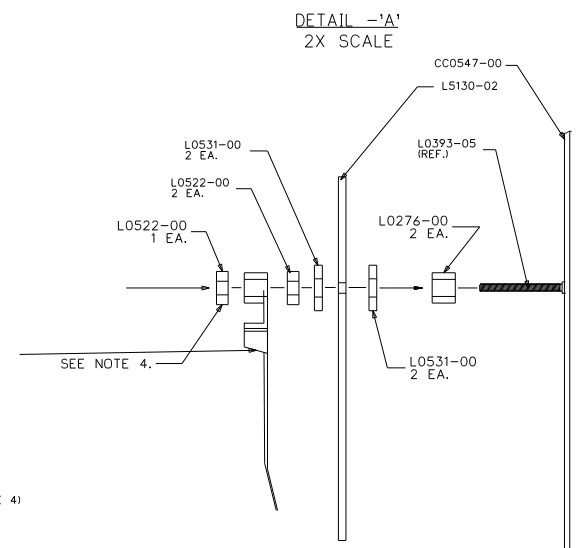
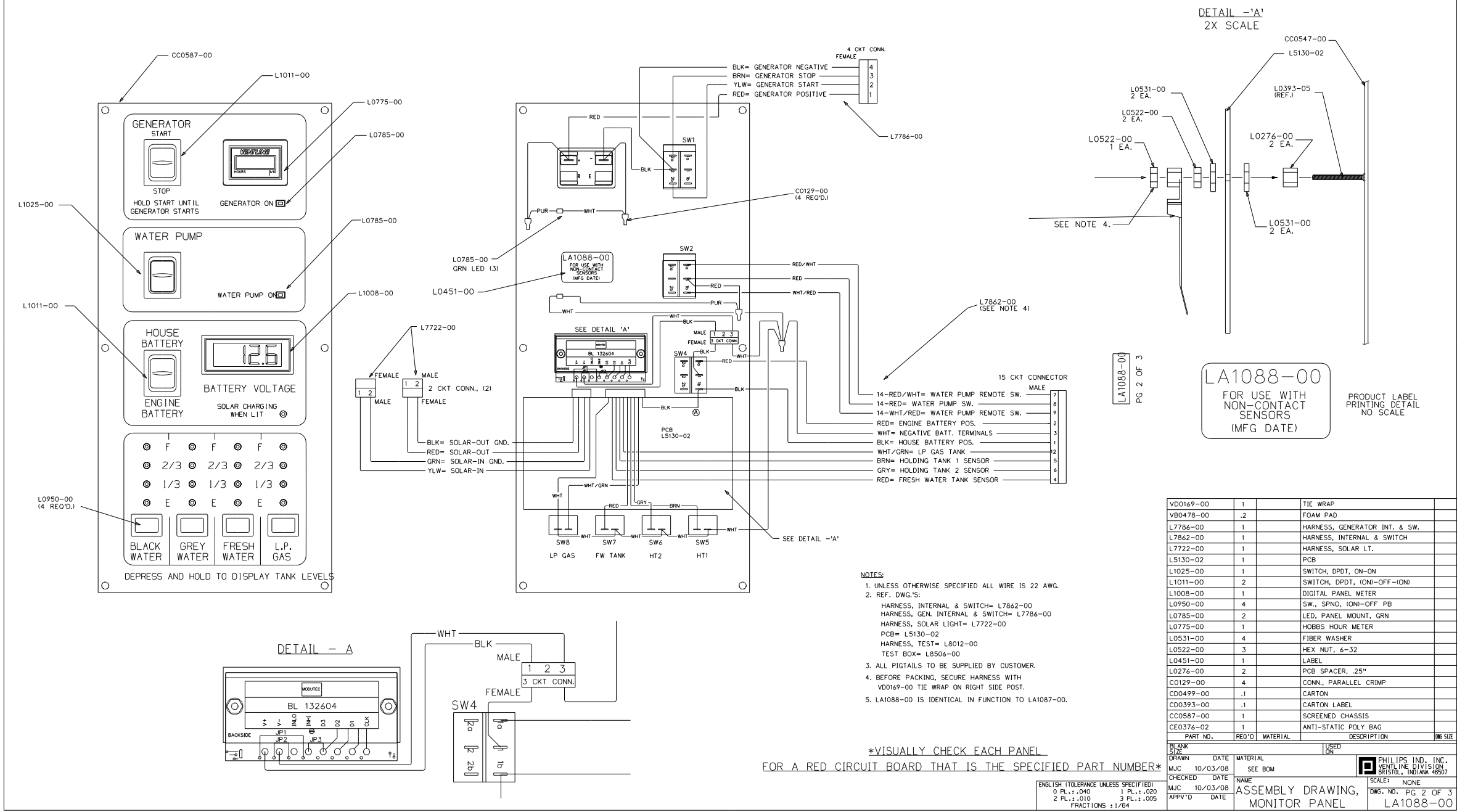
PART NO.	REV'D	MATERIAL	DESCRIPTION	DWG SIZE
LA1088-00			FUNCTION DRAWING, MONITOR PANEL	

FIRST USED	10 R40CD
TITLE	DO NOT SCALE DRAWING
TITLE	PANEL - MONITOR
SHEET 11	PART NO 133004 REV
	1 4/20/2009

THIS DOCUMENT, INCLUDING ALL INFORMATION CONTAINED HEREIN, IS THE EXCLUSIVE AND CONFIDENTIAL PROPERTY OF VENTURINE DIVISION OF TOMKINS INDUSTRIES, INC. THE DOCUMENT AND INFORMATION ARE NOT TO BE COPIED, REPRODUCED OR DELIVERED TO OTHERS, IN WHOLE OR IN PART, WITHOUT THE EXPRESS WRITTEN PERMISSION OF VENTURINE DIVISION OF TOMKINS INDUSTRIES, INC. TO BE RECEIVED PRIMARILY TO VENTURINE AFTER HAVING SERVED THE PURPOSE FOR WHICH DELIVERED.

©1995 VENTURINE DIVISION, TOMKINS INDUSTRIES, INC.
All Rights Reserved, including the right to reproduce this document by any means.

LTR.	DESCRIPTION	DATE	DES.	CHK.
REL	RELEASED FOR PRODUCTION	EON 17491	04/16/09	MJC



LA1088-00
PG 2 OF 3

LA1088-00
FOR USE WITH
NON-CONTACT
SENSORS
(MFG DATE)
PRODUCT LABEL
PRINTING DETAIL
NO SCALE

PART NO.	REQ'D	MATERIAL	DESCRIPTION	DWG SIZE
V00169-00	1		TIE WRAP	
VB0478-00	.2		FOAM PAD	
L7786-00	1		HARNES, GENERATOR INT. & SW.	
L7862-00	1		HARNES, INTERNAL & SWITCH	
L7722-00	1		HARNES, SOLAR LT.	
LS130-02	1		PCB	
L1025-00	1		SWITCH, DPDT, ON-OFF	
L1011-00	2		SWITCH, DPDT, (ON)-OFF-(ON)	
L1008-00	1		DIGITAL PANEL METER	
L0950-00	4		SW., SPNO, (ON)-OFF PB	
L0785-00	2		LED, PANEL MOUNT, GRN	
L0775-00	1		HOBB'S HOUR METER	
L0531-00	4		FIBER WASHER	
L0522-00	3		HEX NUT, 6-32	
L0451-00	1		LABEL	
L0276-00	2		PCB SPACER, .25"	
C0129-00	4		CONN., PARALLEL CRIMP	
CD0499-00	.1		CARTON	
CD0393-00	.1		CARTON LABEL	
CC0587-00	1		SCREENED CHASSIS	
CE0376-02	1		ANTI-STATIC POLY BAG	

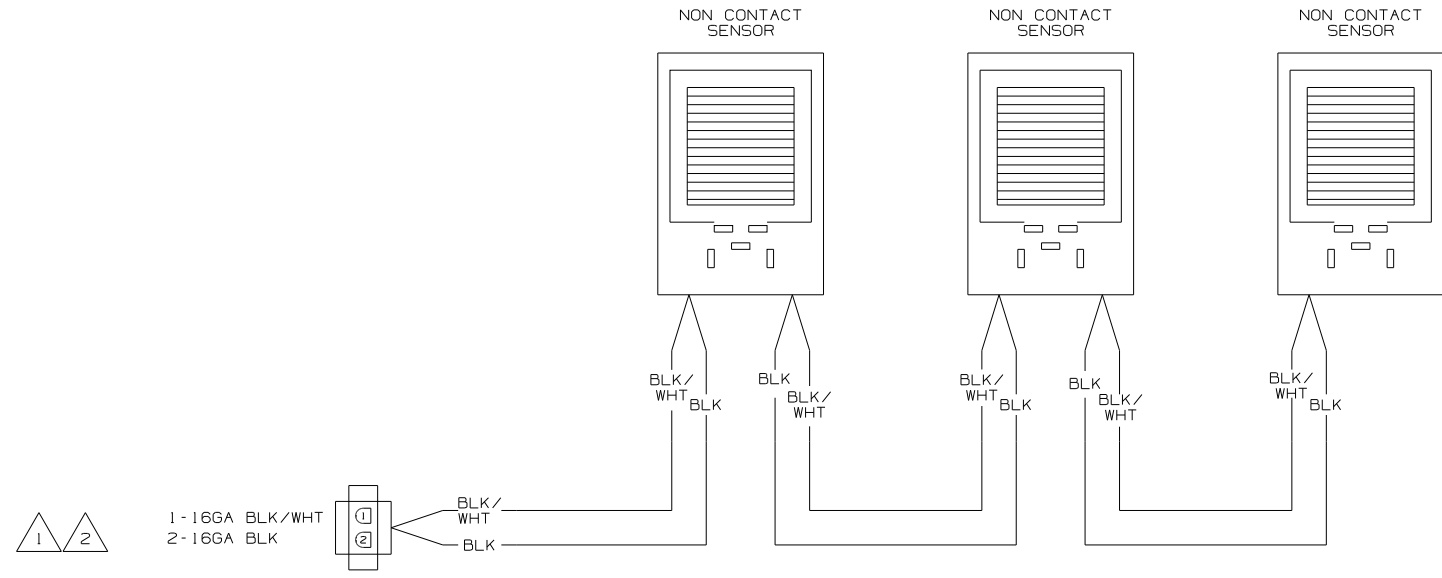
- NOTES:**
- UNLESS OTHERWISE SPECIFIED ALL WIRE IS 22 AWG.
 - REF. DWG'S:
HARNES, INTERNAL & SWITCH= L7862-00
HARNES, GEN. INTERNAL & SWITCH= L7786-00
HARNES, SOLAR LIGHT= L7722-00
PCB= LS130-02
HARNES, TEST= L8012-00
TEST BOX= L8506-00
 - ALL PIGTAILS TO BE SUPPLIED BY CUSTOMER.
 - BEFORE PACKING, SECURE HARNES WITH V00169-00 TIE WRAP ON RIGHT SIDE POST.
 - LA1088-00 IS IDENTICAL IN FUNCTION TO LA1087-00.

VISUALLY CHECK EACH PANEL FOR A RED CIRCUIT BOARD THAT IS THE SPECIFIED PART NUMBER

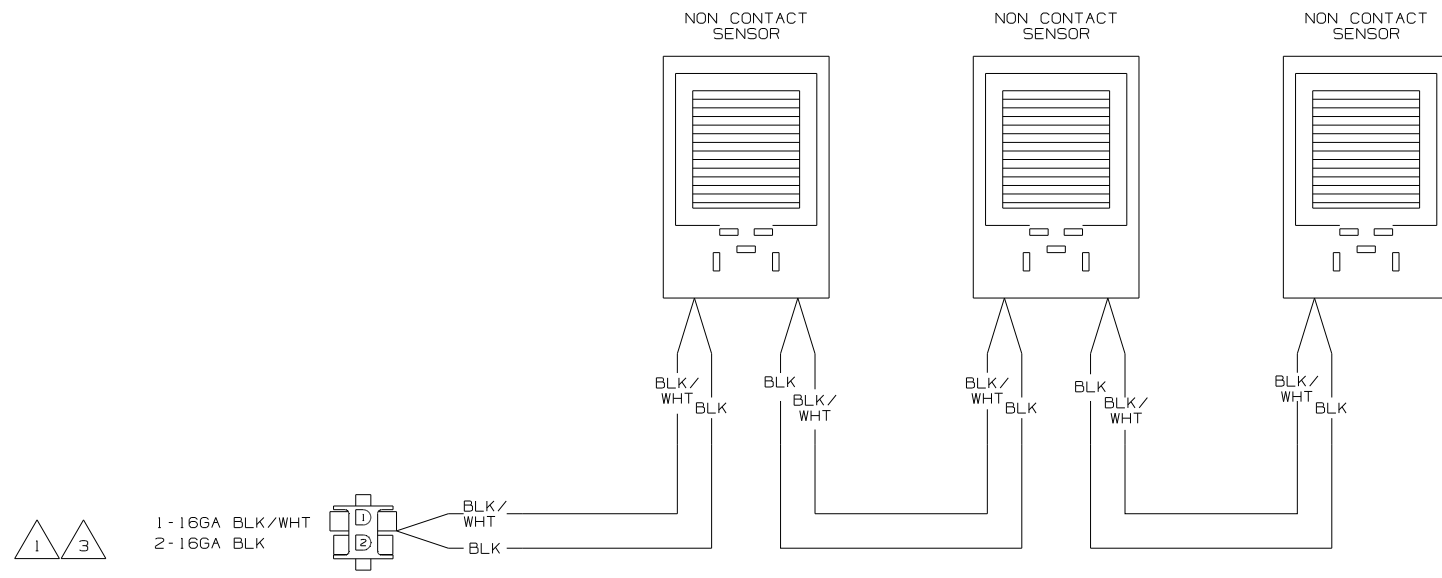
ENGLISH TOLERANCE UNLESS SPECIFIED:
0 PL.: .040 1 PL.: .020
2 PL.: .010 3 PL.: .005
FRACTIONS: 1/64

DRWN	DATE	MATERIAL	USED
MJC	10/03/08	SEE BOM	
CHECKED	DATE	NAME	SCALE: NONE
MJC	10/03/08	ASSEMBLY DRAWING,	DWG. NO. PG 2 OF 3
APPV'D	DATE	MONITOR PANEL	LA1088-00

FIRST USED	10 R40CD
TITLE:	DO NOT SCALE DRAWING
SHEET 12	PART NO 133004
	REV



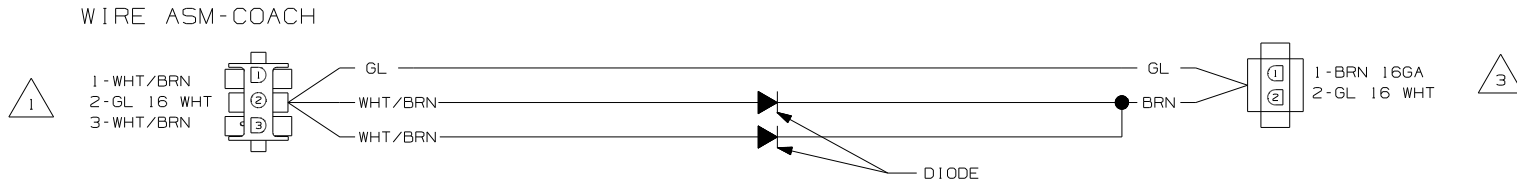
WIRING DIAGRAM-TANK, WATER
OR
WIRING DIAGRAM-TANK, MAIN
(WIRE ASM-151316 REV A)



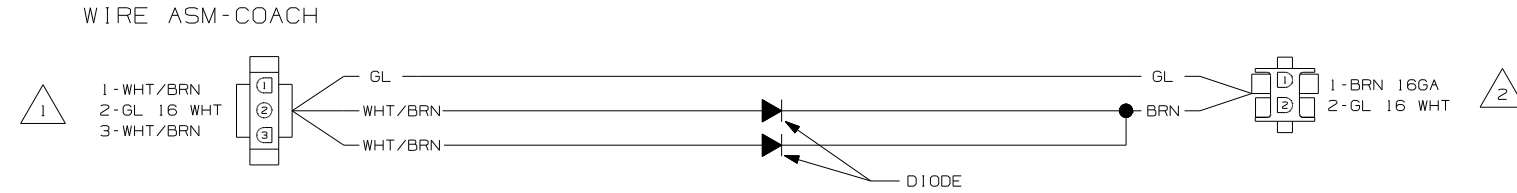
WIRING DIAGRAM-AUX HOLDING
(WIRE ASM-151317 REV A)

- NOTES:
- 3 IF TWO MONITOR PANELS ARE UTILIZED THIS WIRE ASM CONNECTS TO WIRE ASM-TANK,DIODE PACK 151808-01 SHT2.
 - 2 IF TWO MONITOR PANELS ARE UTILIZED THIS WIRE ASM CONNECTS TO WIRE ASM-TANK,DIODE PACK 151808-02 SHT2.
 - 1 IF ONLY ONE MONITOR PANEL IS USED SEE WIRING DIAGRAM-BODY FOR ADDITIONAL INFORMATION.

WINNEBAGO		COPYRIGHT 2006 WINNEBAGO INDUSTRIES, INC.	
DFTR	ORIG. DATE	ALL DIMENSIONS ARE IN MILLIMETERS	
CHKR		FIRST USED	
P.E.		05 MOTOR HOMES	
M.E.		UNSPECIFIED TOLERANCES ARE:	
DSNR		WHOLE DIM (X) :	1
		ONE-PLACE (X.X) :	
		TWO-PLACE (X.XX) :	
		ANGLE :	
		THIRD ANGLE PROJECTION	
DO NOT SCALE DRAWING			
TITLE: WIRING DIAGRAM-HOLDING TANKS			
SHEET 1 OF 2	PART NO	152594	
REF :	1 12/11/2007		



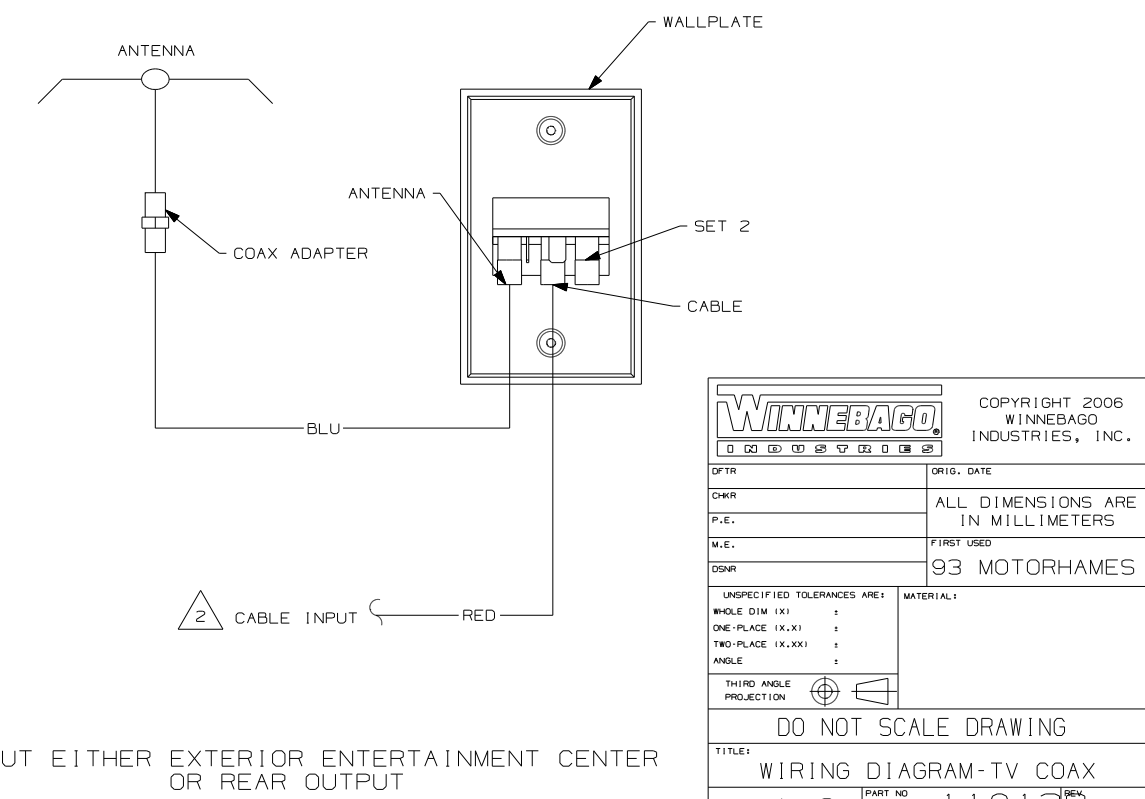
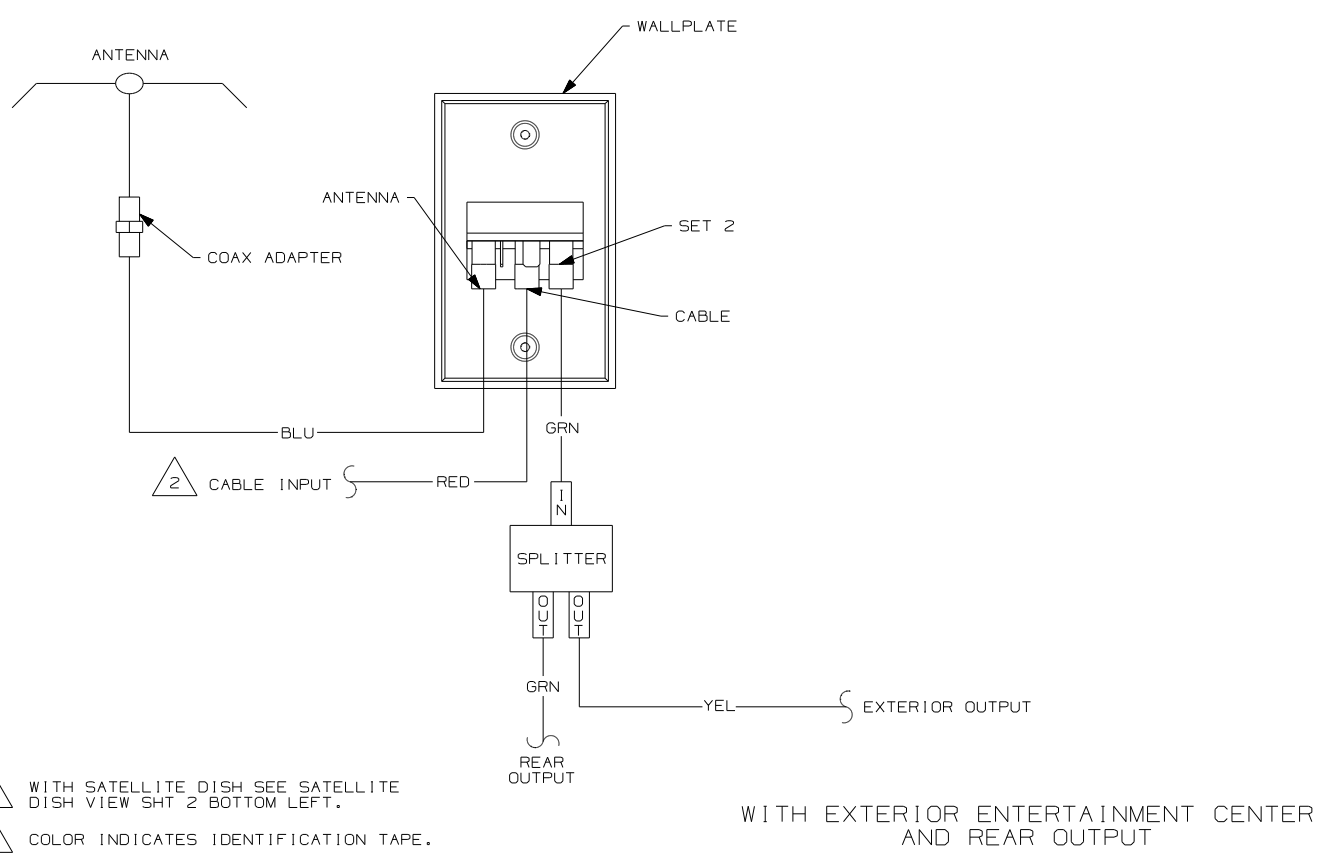
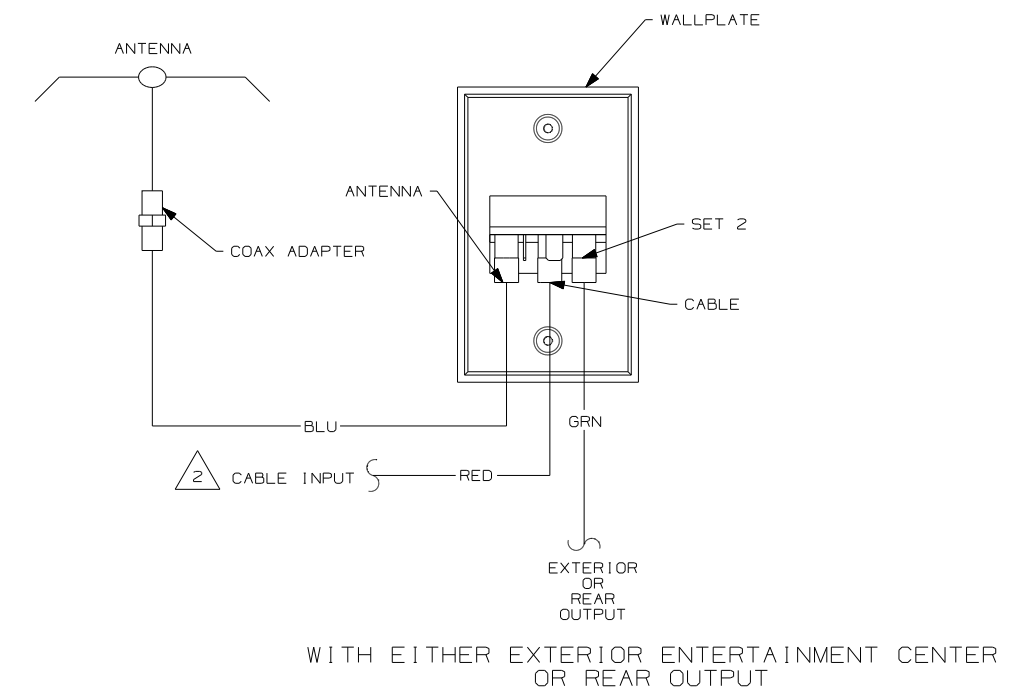
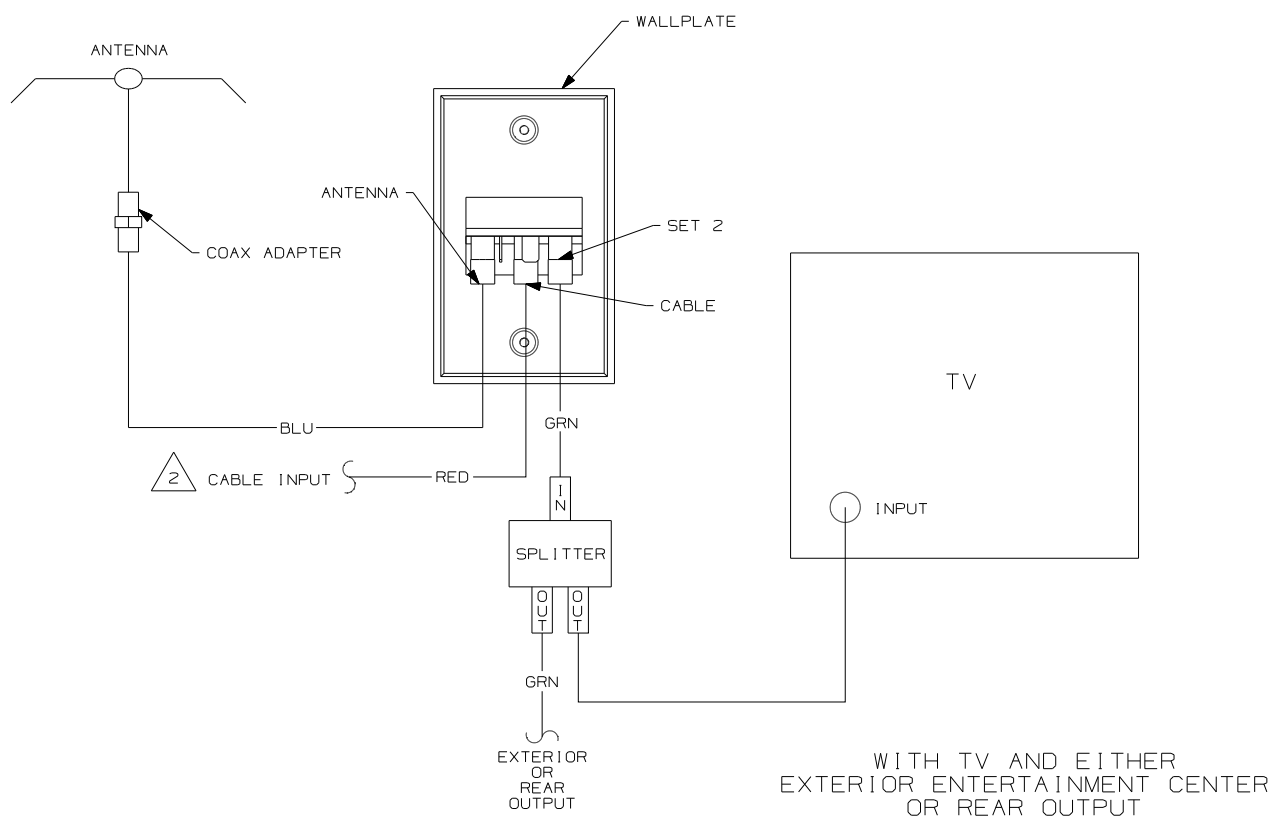
WIRING DIAGRAM-TANK,DIODE PACK
151808-01-000 REV A



WIRING DIAGRAM-TANK,DIODE PACK
151808-02-000 REV A

- NOTES:
- ③ CONNECT TO WIRE ASM-TANK,AUX. SEE SHT 1.
 - ② CONNECT WIRE ASM-TANK,WATER OR MAIN. SEE SHT 1.
 - ① SEE WIRING DIAGRAM-BODY FOR ADDITIONAL INFORMATION.

FIRST USED	05 MOTOR HOMES
TITLE:	DO NOT SCALE DRAWING
	WIRING DIAGRAM-HOLDING TANKS
SHEET 2	PART NO 152594 REV

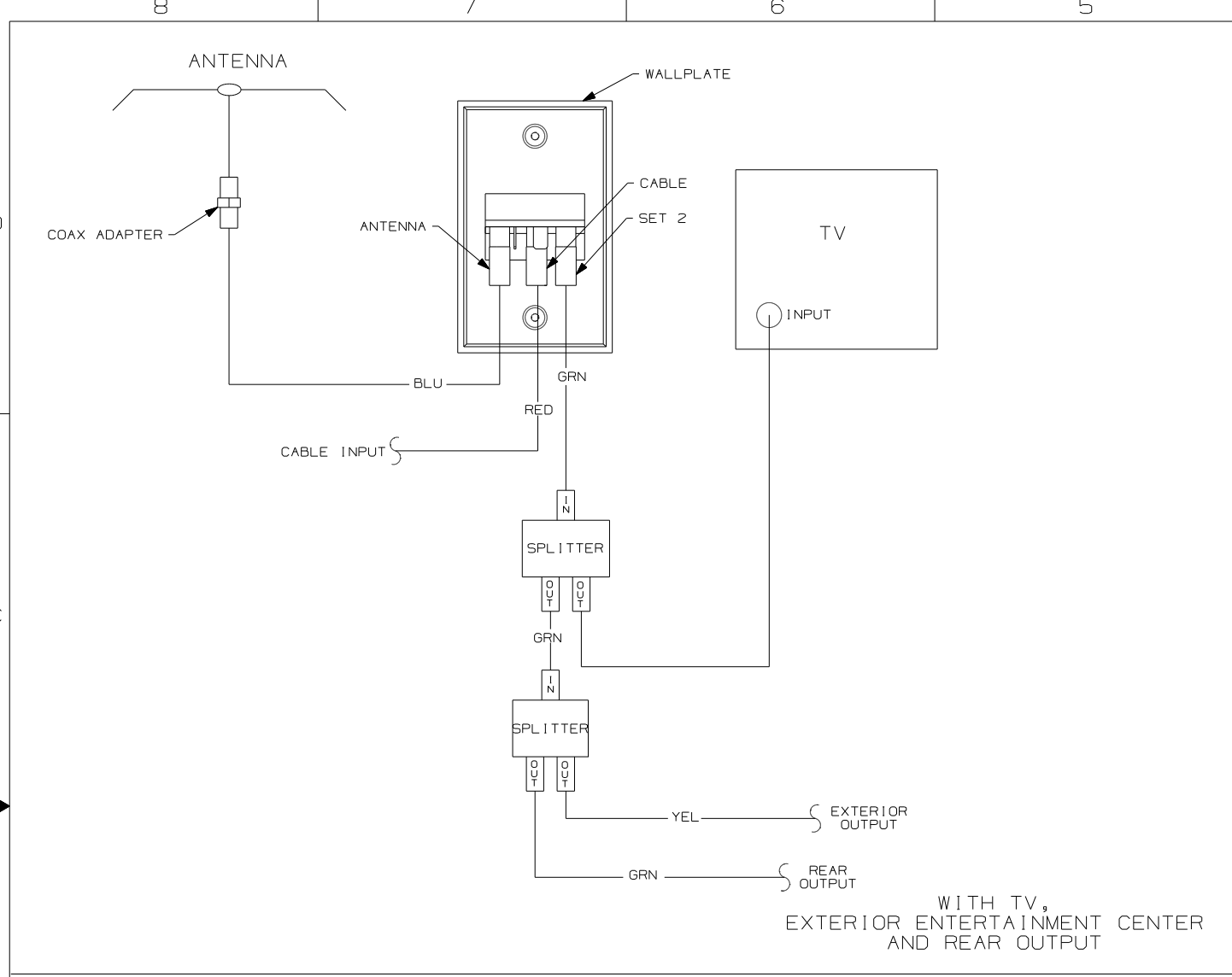


2 WITH SATELLITE DISH SEE SATELLITE DISH VIEW SHT 2 BOTTOM LEFT.

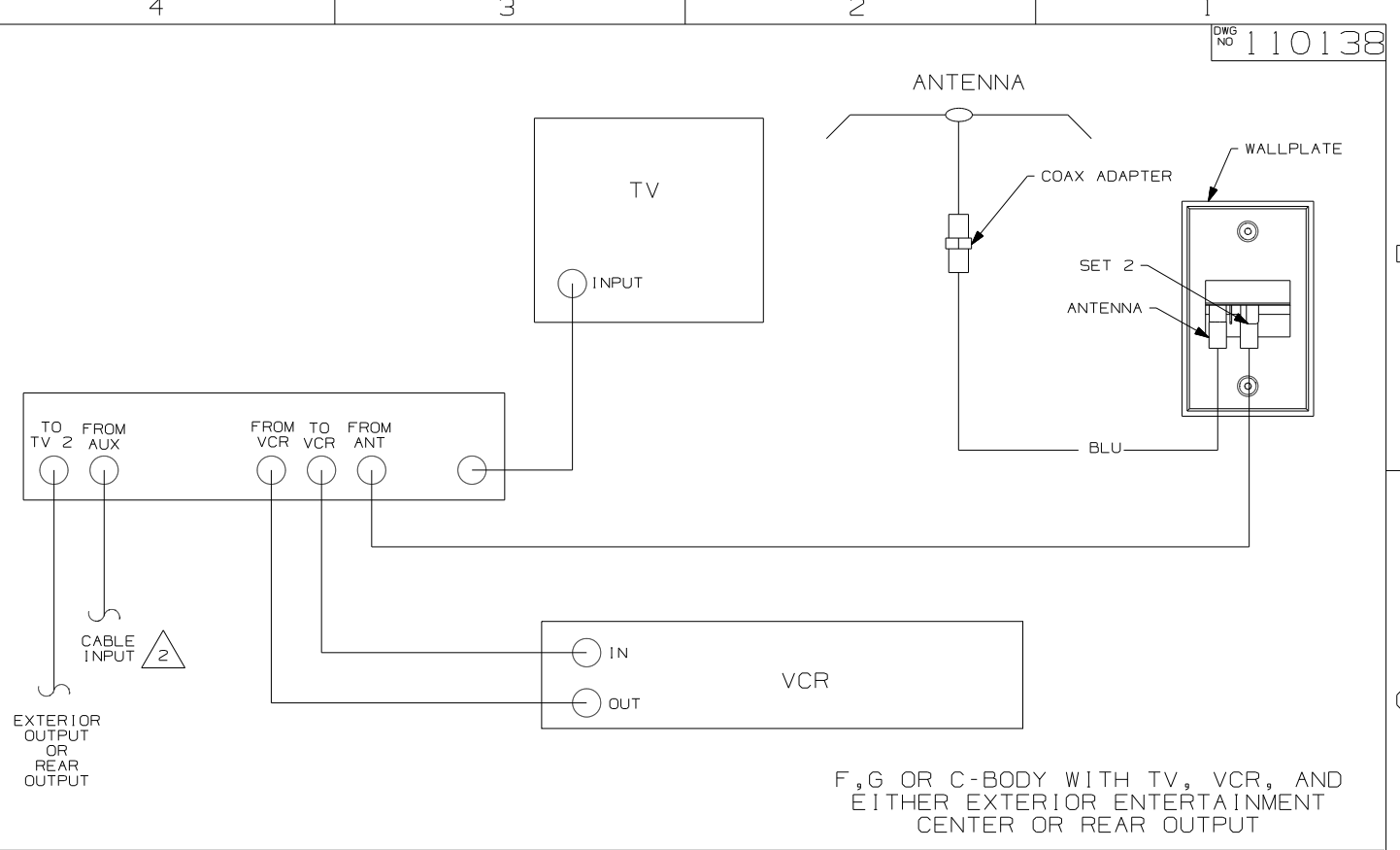
1 COLOR INDICATES IDENTIFICATION TAPE.

NOTES:

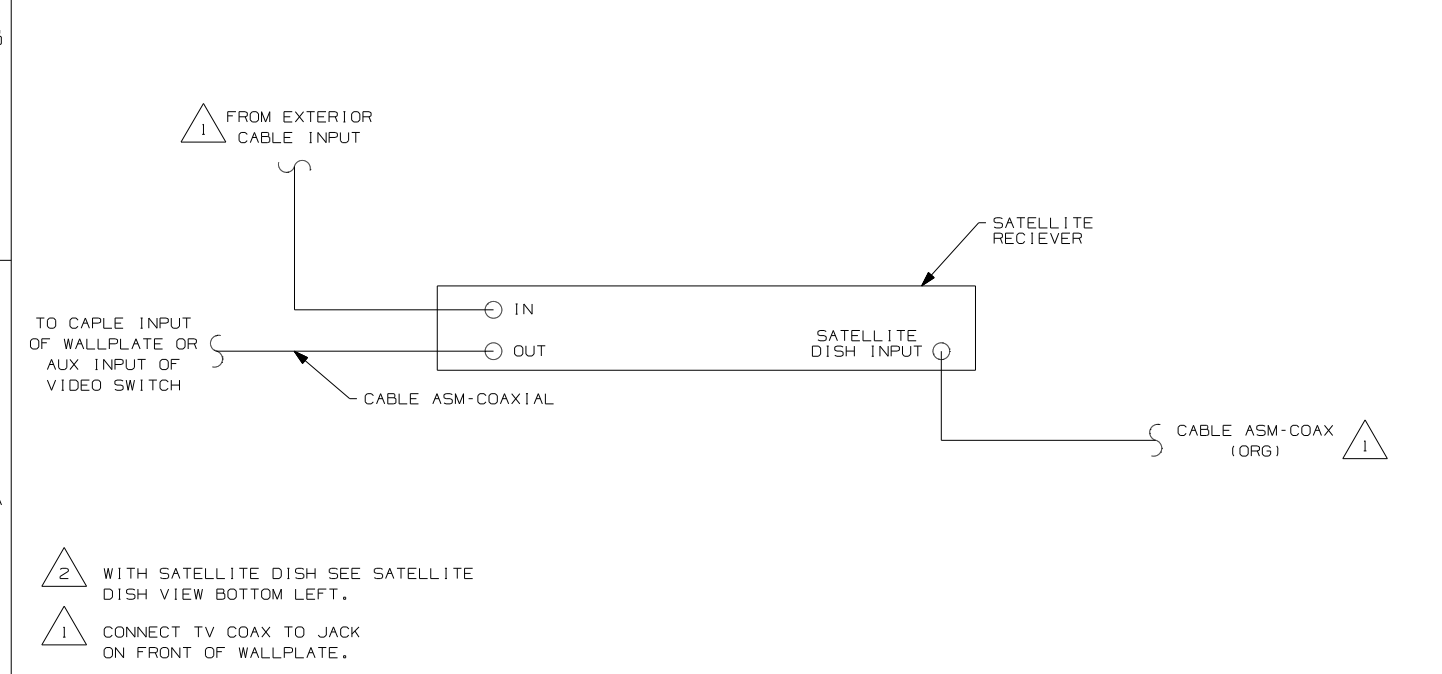
WINNEBAGO		COPYRIGHT 2006 WINNEBAGO INDUSTRIES, INC.	
DFTR	ORIG. DATE		
CHKR	ALL DIMENSIONS ARE IN MILLIMETERS		
P.E.	FIRST USED		
M.E.	93 MOTORHAMES		
DSNR			
UNSPECIFIED TOLERANCES ARE:	MATERIAL:		
HOLE DIM (X)	:		
ONE-PLACE (X.X)	:		
TWO-PLACE (X.XX)	:		
ANGLE	:		
THIRD ANGLE PROJECTION			
DO NOT SCALE DRAWING			
TITLE: WIRING DIAGRAM-TV COAX			
SHEET 1 OF 2	PART NO	110138	
REF:	1 12/11/2007		



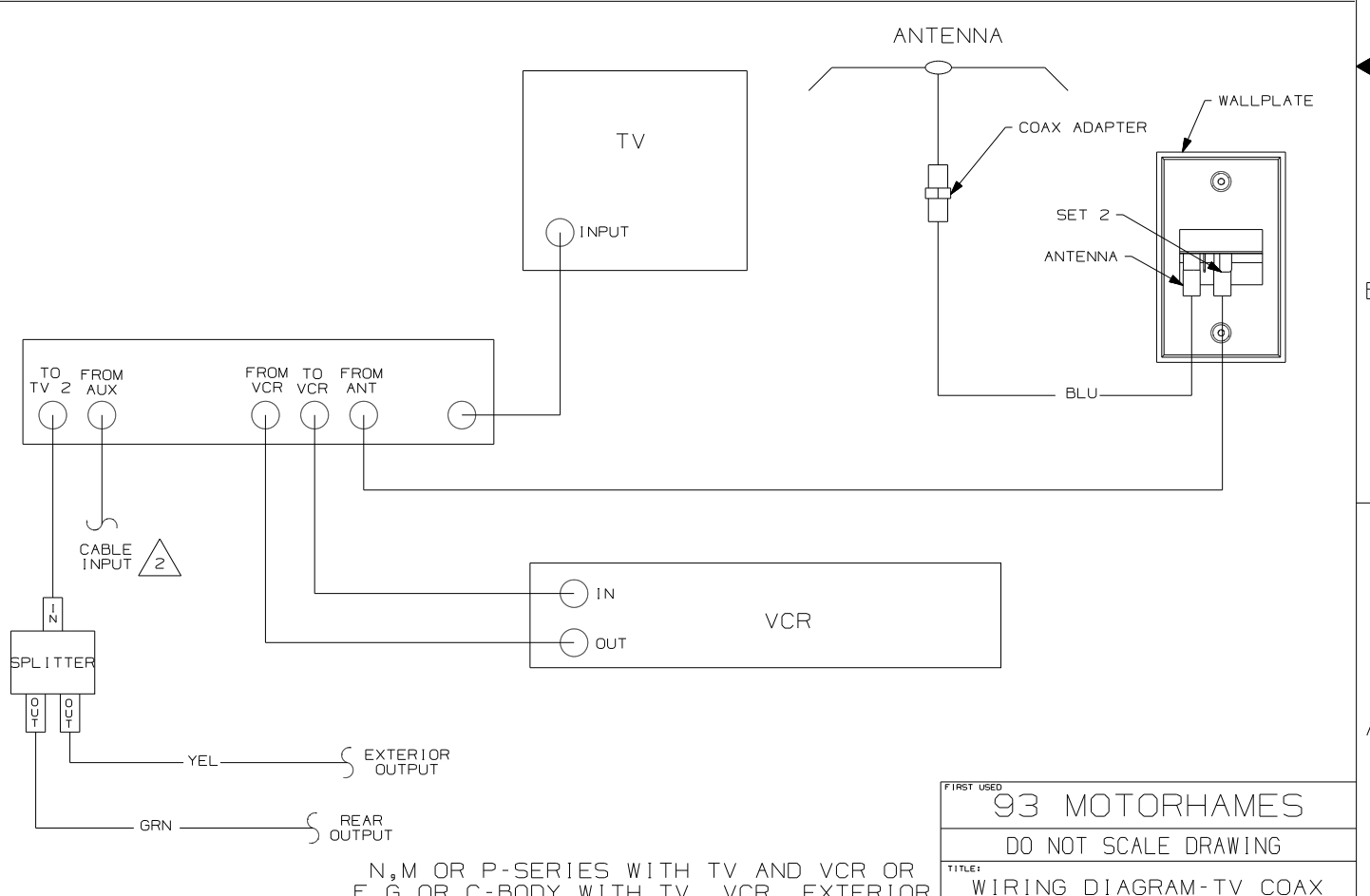
WITH TV,
EXTERIOR ENTERTAINMENT CENTER
AND REAR OUTPUT



F,G OR C-BODY WITH TV, VCR, AND
EITHER EXTERIOR ENTERTAINMENT
CENTER OR REAR OUTPUT



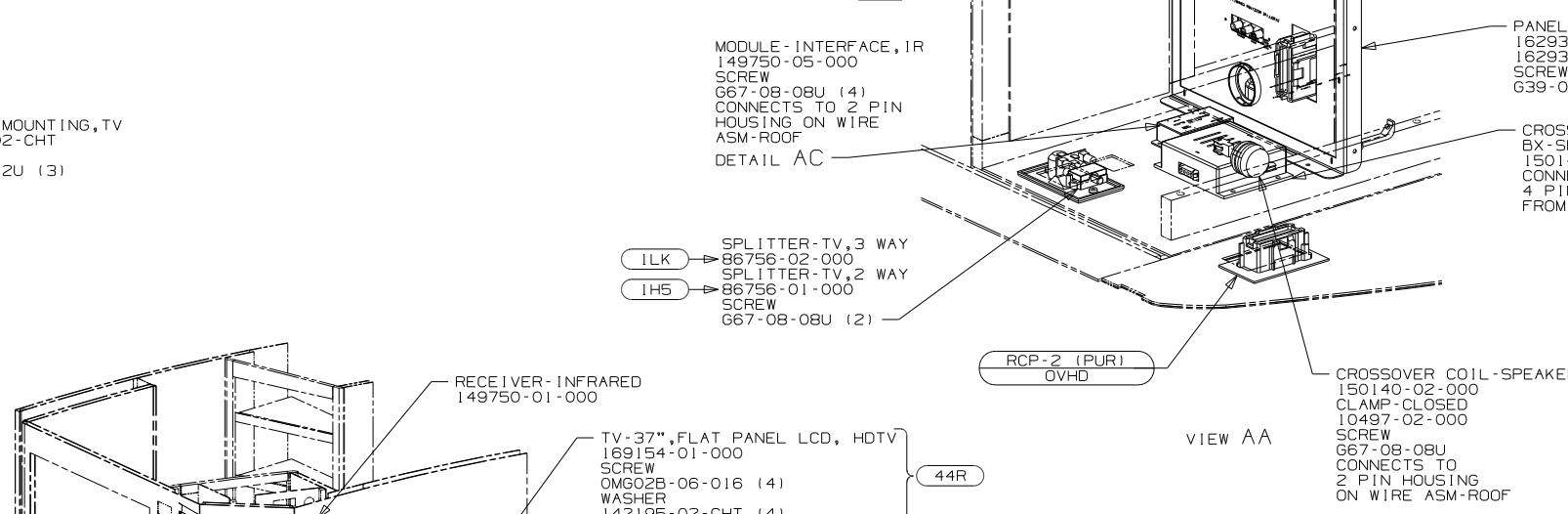
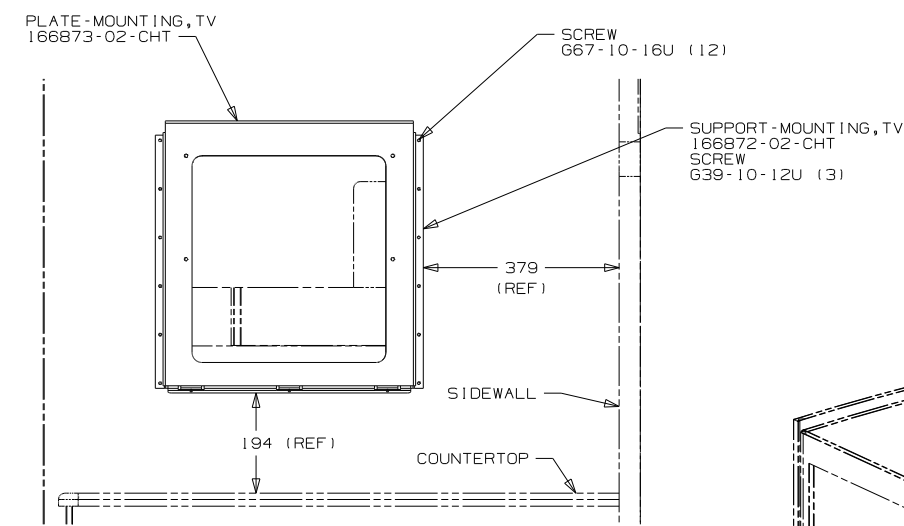
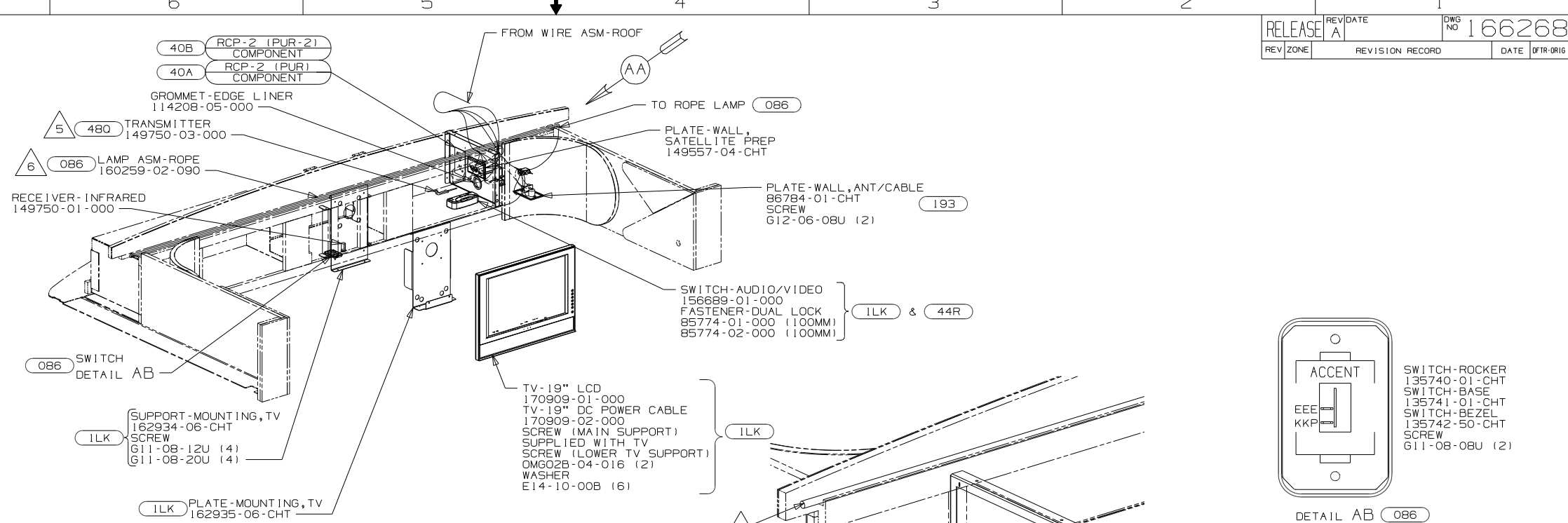
- NOTES:
- △2 WITH SATELLITE DISH SEE SATELLITE DISH VIEW BOTTOM LEFT.
 - △1 CONNECT TV COAX TO JACK ON FRONT OF WALLPLATE.



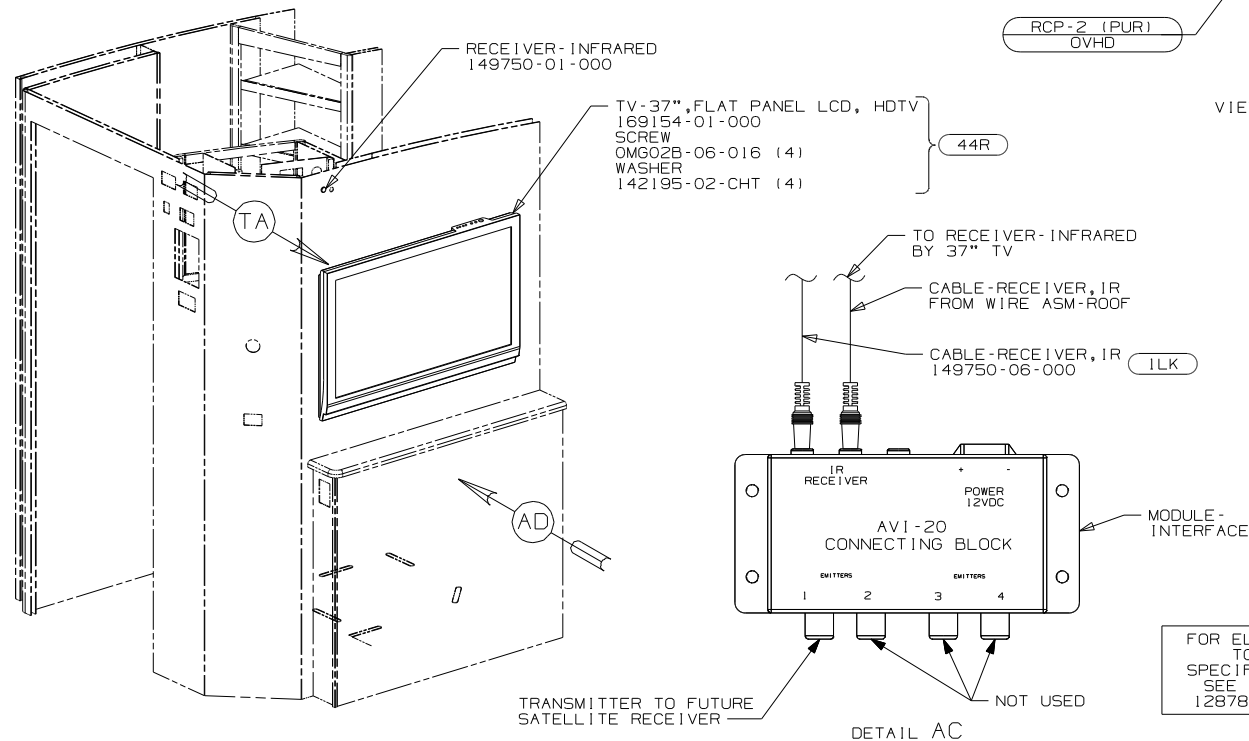
N,M OR P-SERIES WITH TV AND VCR OR
F,G OR C-BODY WITH TV, VCR, EXTERIOR
ENTERTAINMENT CENTER AND REAR OUTPUT

FIRST USED	93 MOTORHAMES
TITLE:	DO NOT SCALE DRAWING
SHEET 2	WIRING DIAGRAM-TV COAX
PART NO	110138

DRAWING NO.	MODEL	SHEET
166268-01	D31E	1, 17
166268-02	D37L	2, 27
166268-03	J32H	3, 15, 23
166268-04	J38N	4, 15, 23
166268-05	K32H	5, 15
166268-06	K35P	6, 15
166268-07	K38T	7, 15
166268-08	M37G, M39W	8, 15, 21
166268-09	P37H, P39W	9, 15, 25, 26
166268-10	R40FD	10, 18
166268-11	R40TD	11, 18
166268-12	R40WD	12, 18, 19
166268-13	S40TD	13, 16
166268-14	S40WD	14, 20, 24
166268-15	P34Y	15, 22, 25
166268-16	M39N	26, 28, 29



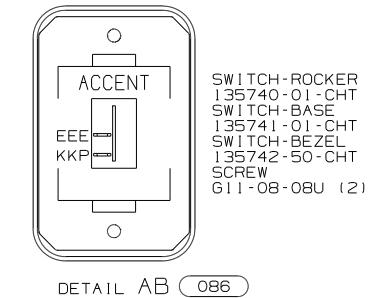
- NOTES:
- 110V WIRE TO BE CLAMPED WITH CLAMP 10497-05-000 WITHIN 200MM OF OUTLET BOXES, USE SCREW 667-10-12B.
 - ALL WIRES TO BE SECURED WITH CLAMP 10495-01-000 OR CLIP 80734-01-000 EVERY 600MM. USE SCREW 667-10-12B UNLESS OTHERWISE SPECIFIED.
 - WHERE WIRES PASS THROUGH HOLES IN STEEL AND NOT OTHERWISE PROTECTED, USE GROMMET 92908-02-000.
- 7 MOUNT BRACKET TO TV BEFORE ATTACHING TO TO WALLMOUNT.
- 6 SNAP ROPE LAMP IN CHANNELS ON OVERHEAD CABINETS.
- 5 ROUTE TRANSMITTER THROUGH GROMMET AND COIL FOR FUTURE USE.
- 4 PLACE CONNECTOR HERE TO MAKE CONNECTION TO WIRE ASM. USE CONNECTOR 58028-01-000 (2).



FOR ELECTRICAL TORQUE SPECIFICATIONS SEE DWG NO. 128783-01-000

X-X FOR ELECTRICAL CALLOUTS SEE DWG NO. 121339-01-000

REV ZONE	REVISION RECORD	DATE	DFTR-ORIG



- 1H5 TV, FRONT-WITHOUT
- 1LK TV-19"DC,COLOR,LCD W/REMOTE
- 40B INVERTER-DC/AC, 300 WATT
- 40A INVERTER-DC/AC WITHOUT
- 480 SATELLITE DISH & ELEV.SENSOR
- 193 TV ANTENNA-AMPLIFIED SYSTEM
- 086 INTERIOR UPGRADE PACKAGE
- 44R TV-37" COLOR,STEREO W/REMOTE
- 265 CODES/STANDARDS-CSA/CMVSS
- 1B1 CODES/STANDARDS USA

1B1 265 D31E

WINNEBAGO COPYRIGHT 2009 WINNEBAGO INDUSTRIES, INC.

DFTR	ORIG. DATE
CHKR	ALL DIMENSIONS ARE IN MILLIMETERS
P.E.	
M.E.	FIRST USED
DSNR	09 A-BODIES

UNSPECIFIED TOLERANCES ARE: MATERIAL:

WHOLE DIM (X)	: 3
ONE-PLACE (X.X)	: 1.5
TWO-PLACE (X.XX)	: 0.50
ANGLE	: 1°

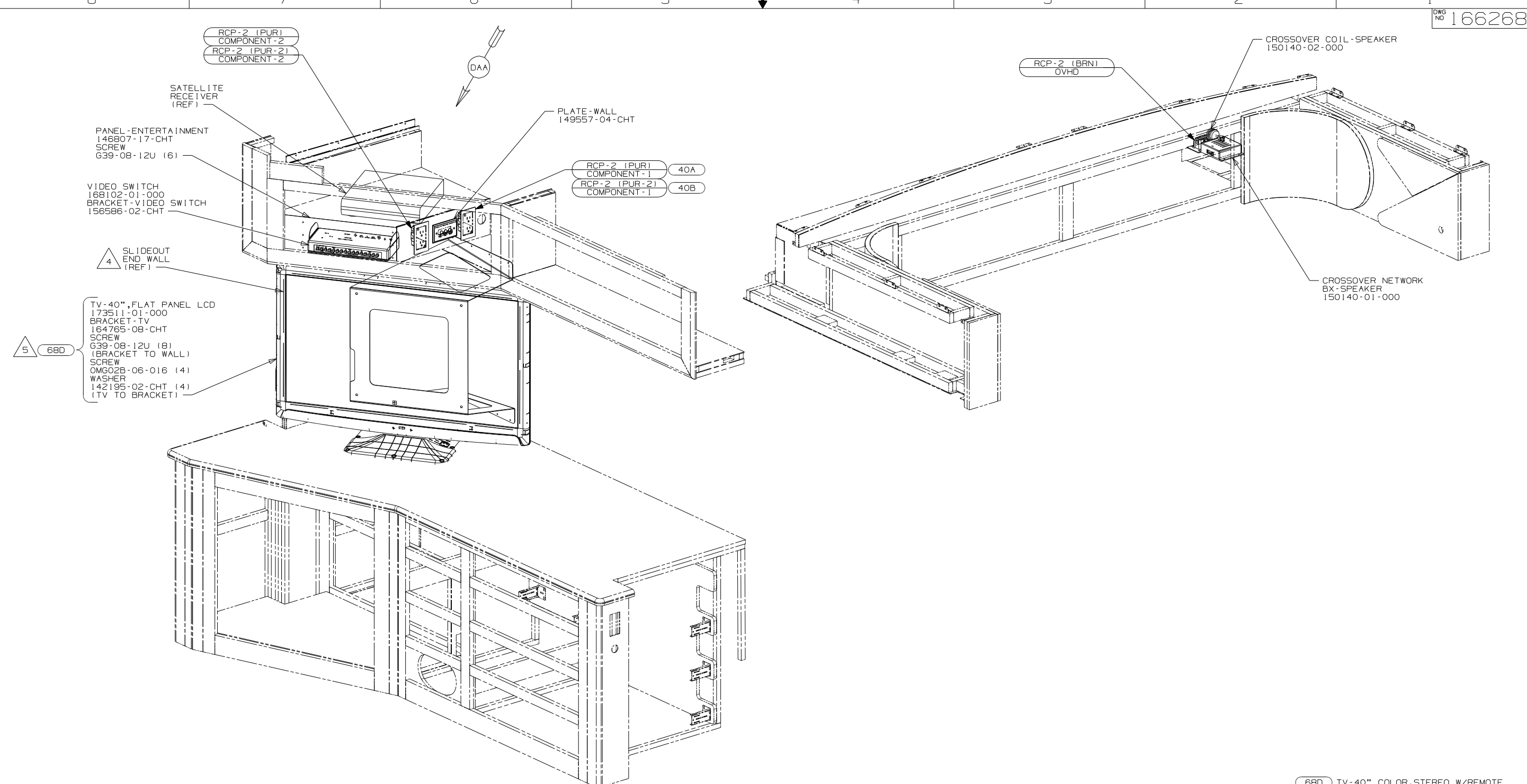
THIRD ANGLE PROJECTION

DO NOT SCALE DRAWING

TITLE: WIRING INSTL-TV/DVD,SIDE

SHEET 1 OF 29 PART NO. 166268 REV

REF: 1 5/1/2009



- 5 MOUNT BRACKET TO TV BEFORE ATTACHING TO WALLMOUNT.
- 4 PLACE TV NEXT TO SLIDEOUT END WALL.

3. WHERE WIRES PASS THROUGH HOLES IN STEEL AND NOT OTHERWISE PROTECTED, USE GROMMET 92908-02-000.
2. ALL WIRES TO BE SECURED WITH CLAMP 10495-01-000 OR CLIP 80734-01-000 EVERY 600MM. USE SCREW 667-10-12B UNLESS OTHERWISE SPECIFIED.
1. 110V WIRE TO BE CLAMPED WITH CLAMP 10497-05-000 WITHIN 200MM OF OUTLET BOXES, USE SCREW 667-10-12B.

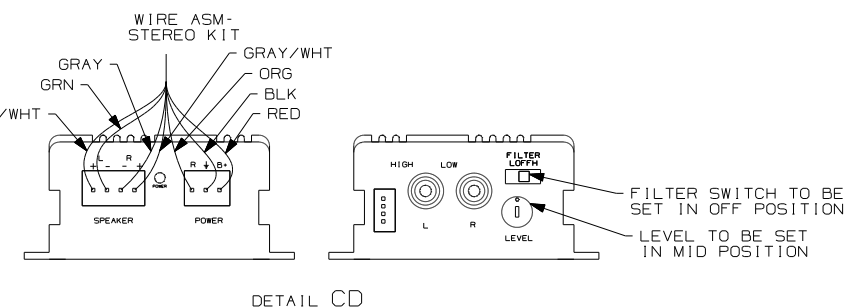
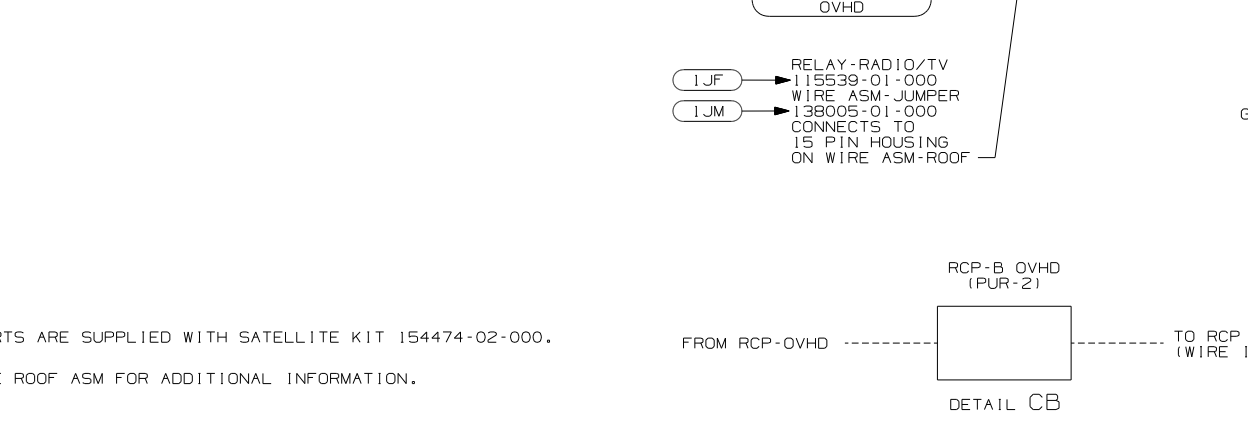
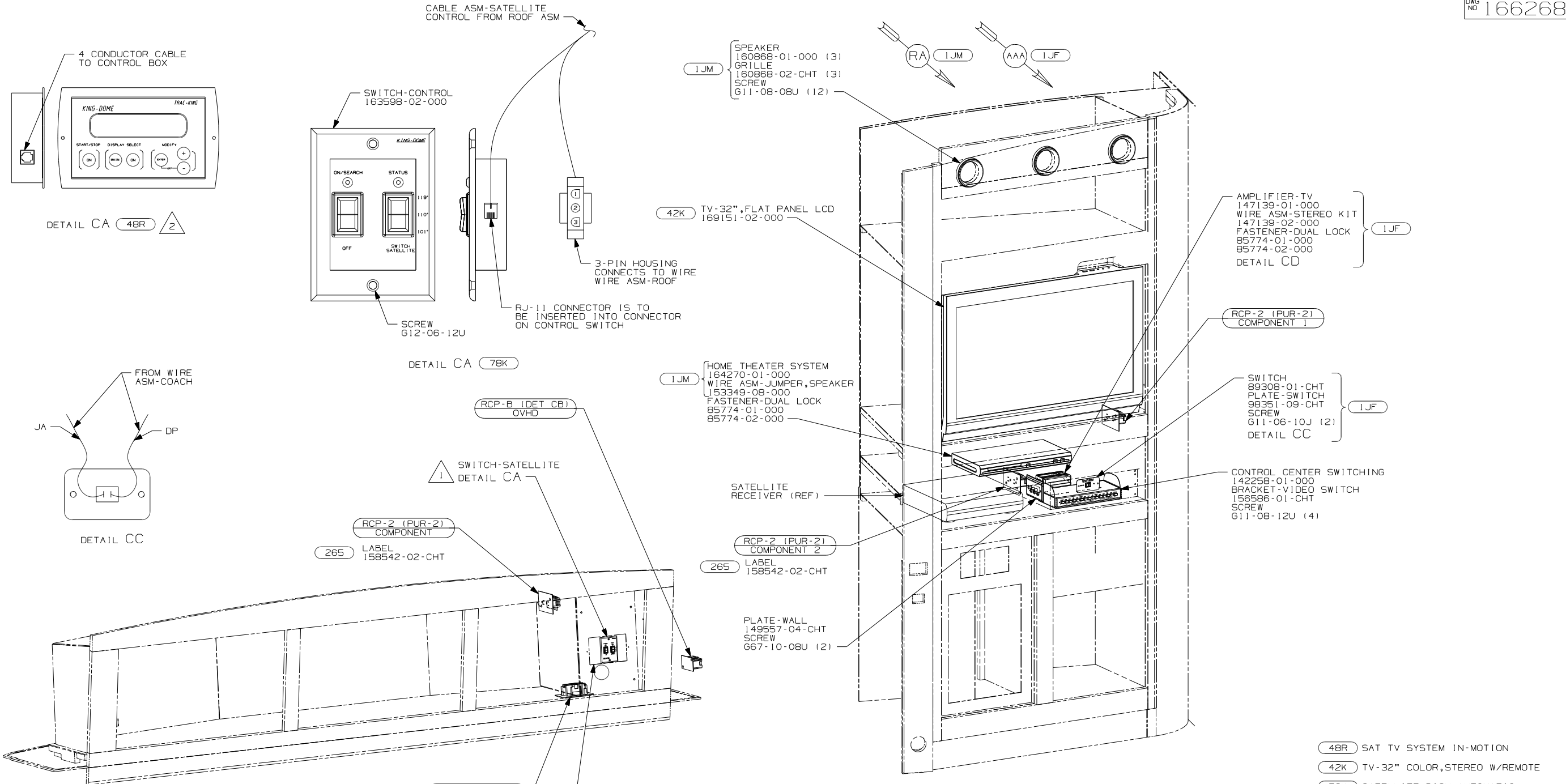
NOTES:

- 68D TV-40" COLOR, STEREO W/REMOTE
- 40D INVERTER-DC/AC, 600 WATT
- 40A INVERTER-DC/AC WITHOUT
- 265 CODES/STANDARDS-CSA/CMVSS
- 1B1 CODES/STANDARDS USA

1B1	265	D37L
FIRST USED		
09 A-BODIES		
DO NOT SCALE DRAWING		
TITLE:		
WIRING INSTL-TV/DVD, SIDE		
SHEET 2	PART NO	166268
		REV

FOR ELECTRICAL TORQUE SPECIFICATIONS SEE DWG NO. 128783-01-000

FOR ELECTRICAL CALLOUTS SEE DWG NO. 121339-01-000



- 48R SAT TV SYSTEM IN-MOTION
- 42K TV-32" COLOR, STEREO W/REMOTE
- 78K SATELLITE DISH-AUTOMATIC
- 25F DIGITAL VIDEO DISC PLAYER
- 1JM HOME THEATER SOUND SYSTEM
- 1JF HOME THEATER SYS-WITHOUT
- 79H ENTERTAINMENT CTR-INTERIOR
- 265 CODES/STANDARDS-CSA/CMVSS
- 1B1 CODES/STANDARDS USA

FIRST USED		J32H	
09 A-BODIES			
DO NOT SCALE DRAWING			
TITLE: WIRING INSTL-TV/DVD, SIDE			
SHEET 3	PART NO	166268	REV

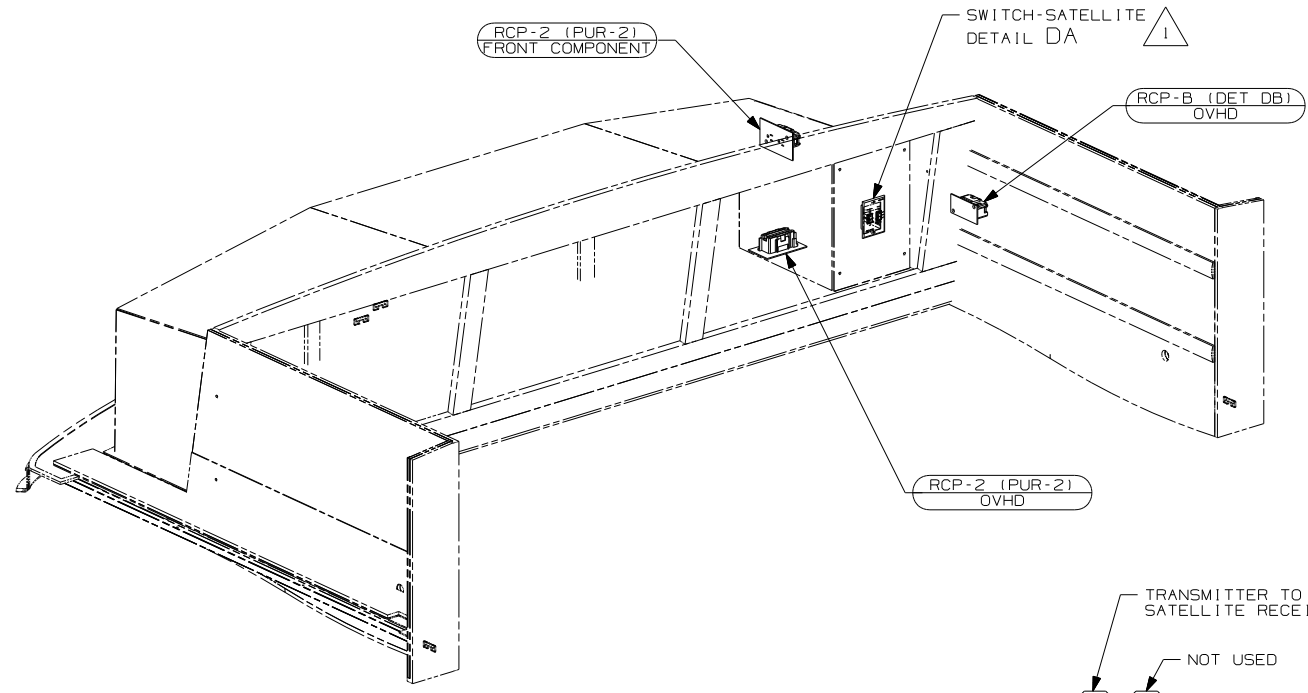
NOTES:

2 PARTS ARE SUPPLIED WITH SATELLITE KIT 154474-02-000.

1 SEE ROOF ASM FOR ADDITIONAL INFORMATION.

FOR ELECTRICAL TORQUE SPECIFICATIONS SEE DWG NO. 128783-01-000

FOR ELECTRICAL CALLOUTS SEE DWG NO. 121339-01-000



- HOME THEATER SYSTEM
164270-01-000
WIRE ASM-JUMPER, SPEAKER
153349-08-000
FASTENER-DUAL LOCK
85774-01-000
85774-02-000

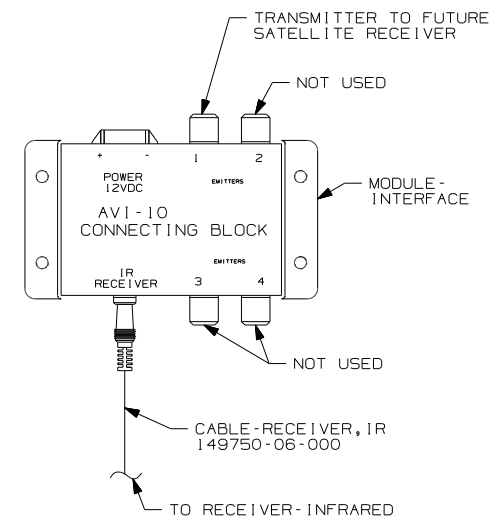
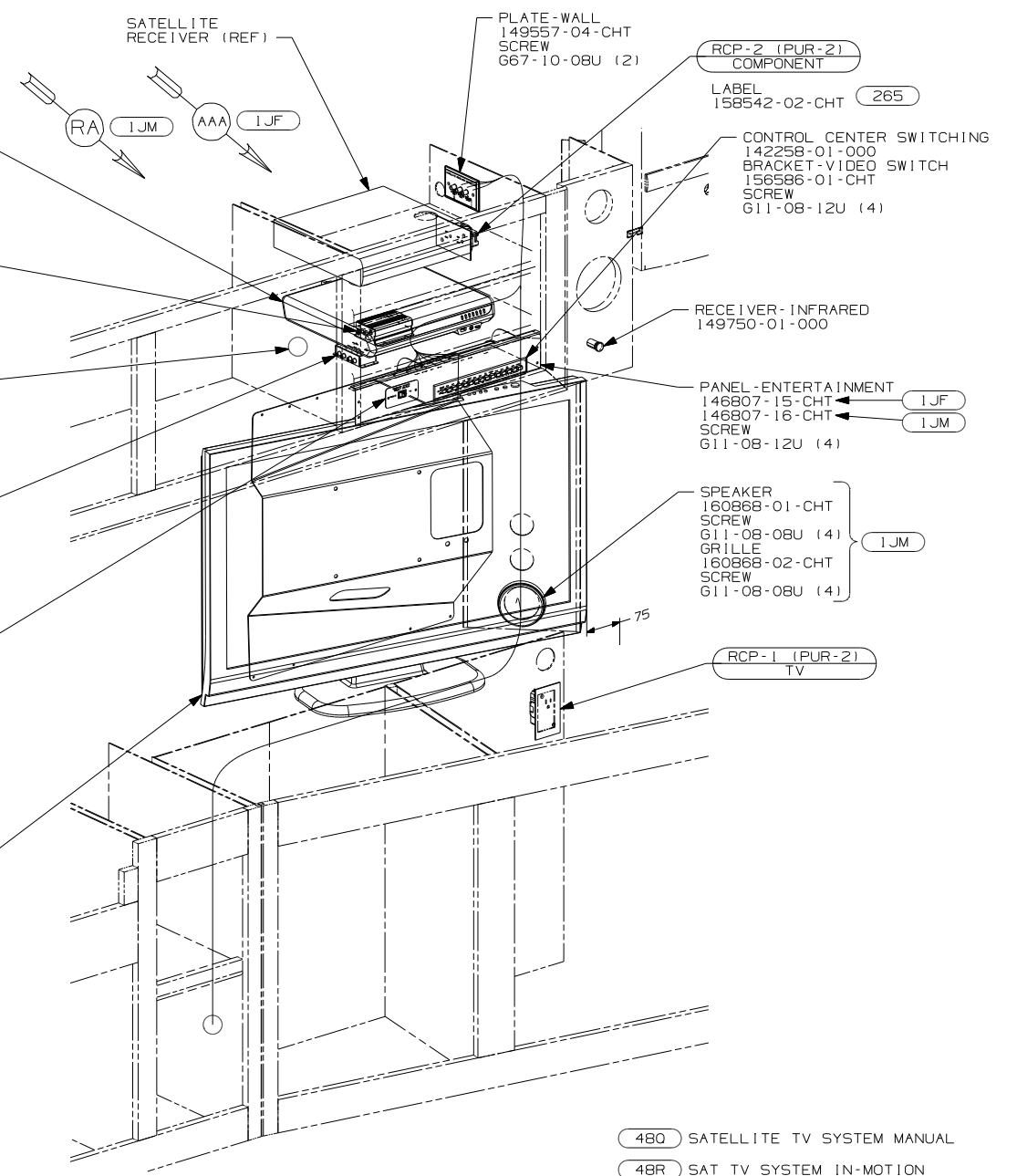
- AMPLIFIER-TV
147139-01-000
WIRE ASM-STEREO KIT
147139-02-000
FASTENER-DUAL LOCK
85774-01-000
85774-02-000
DETAIL DD

- RELAY-RADIO/TV
115539-01-000
WIRE ASM-JUMPER
138005-01-000
CONNECTS TO
15 PIN HOUSING
ON WIRE ASM-
SIDE TV

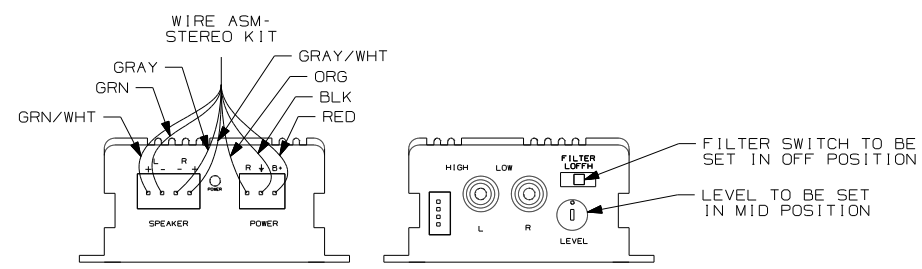
- MODULE-INTERFACE, IR
149750-04-000
SCREW
G67-08-08U (4)
CONNECTS TO 2 PIN
HOUSING ON WIRE
ASM-SIDE TV
DETAIL DE

- SWITCH
89308-01-CHT
PLATE-SWITCH
98351-09-CHT
SCREW
G11-06-10J (2)
DETAIL DC

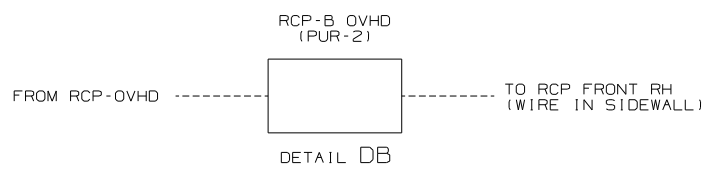
- TV-37", FLAT PANEL LCD
169154-01-000
BRACKET-TV, 37"
164765-03-CHT
SCREW
G39-08-12U (10)
(BRACKET TO WALL)
SCREW
OMG02B-06-016 (4)
WASHER
142195-02-CHT (4)
(TV TO BRACKET)



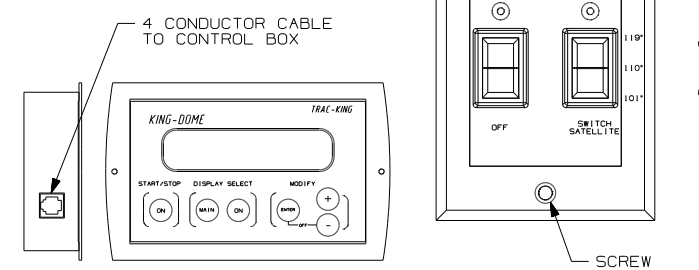
DETAIL DE



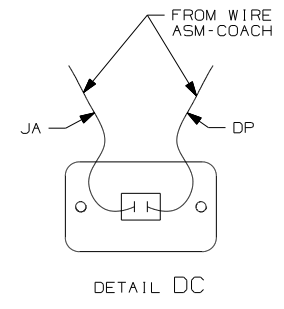
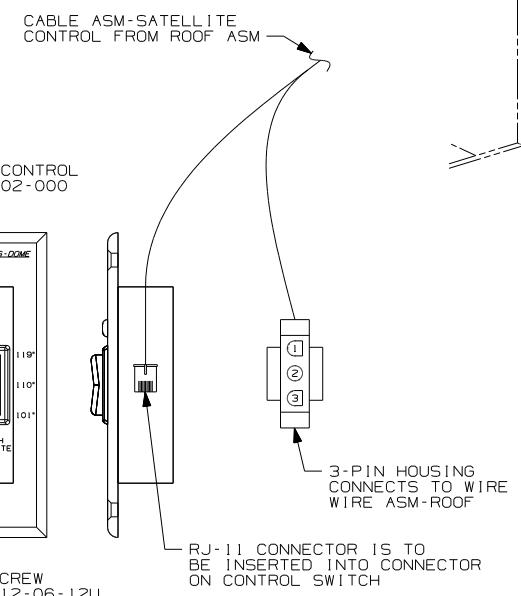
DETAIL DD



DETAIL DB



DETAIL DA 48R 2



FOR ELECTRICAL TORQUE SPECIFICATIONS SEE DWG NO. 128783-01-000

FOR ELECTRICAL CALLOUTS SEE DWG NO. 121339-01-000

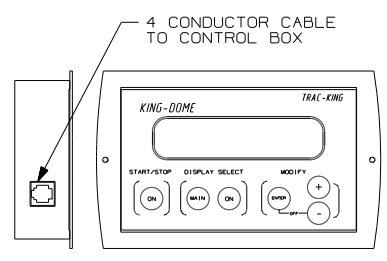
- 480 SATELLITE TV SYSTEM MANUAL
- 48R SAT TV SYSTEM IN-MOTION
- 44R TV-37" COLOR, STEREO W/REMOTE
- 78K SATELLITE DISH-AUTOMATIC
- 25F DIGITAL VIDEO DISC PLAYER
- 1JM HOME THEATER SOUND SYSTEM
- 1JF HOME THEATER SYS-WITHOUT
- 79H ENTERTAINMENT CTR-INTERIOR
- 265 CODES/STANDARDS-CSA/CMVSS
- 1B1 CODES/STANDARDS USA

1B1	265	79H	J38N
FIRST USED			
09 A-BODIES			
DO NOT SCALE DRAWING			
TITLE:			
WIRING INSTL-TV/DVD, SIDE			
SHEET 4	PART NO	166268	REV

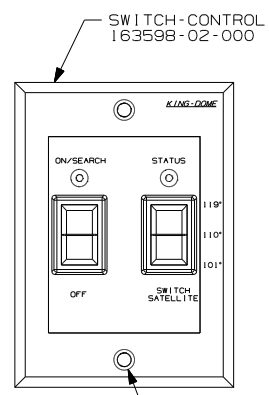
NOTES:

2 PARTS ARE SUPPLIED WITH SATELLITE KIT 154474-02-000.

1 SEE ROOF ASM FOR ADDITIONAL INFORMATION.



DETAIL EA 48R 2



DETAIL EA 78K

RCP-B (DET EB) OVHD

SWITCH-SATELLITE
DETAIL EA 1

RCP-2 (PUR-2)
COMPONENT

265 LABEL 158542-02-CHT

RCP-2 (PUR-2)
OVHD

RCP-B OVHD (PUR-2)

FROM RCP-OVHD TO RCP FRONT RH (WIRE IN SIDEWALL)

DETAIL EB

42K TV-32" FLAT PANEL LCD 169151-02-000

HOME THEATER SYSTEM 164270-01-000
WIRE ASM-JUMPER, SPEAKER 153349-08-000
FASTENER-DUAL LOCK 85774-01-000
85774-02-000

SATELLITE RECEIVER (REF)

RCP-2 (PUR-2)
COMPONENT 2

265 LABEL 158542-02-CHT

PLATE-WALL 149557-04-CHT
SCREW 667-10-08U (2)

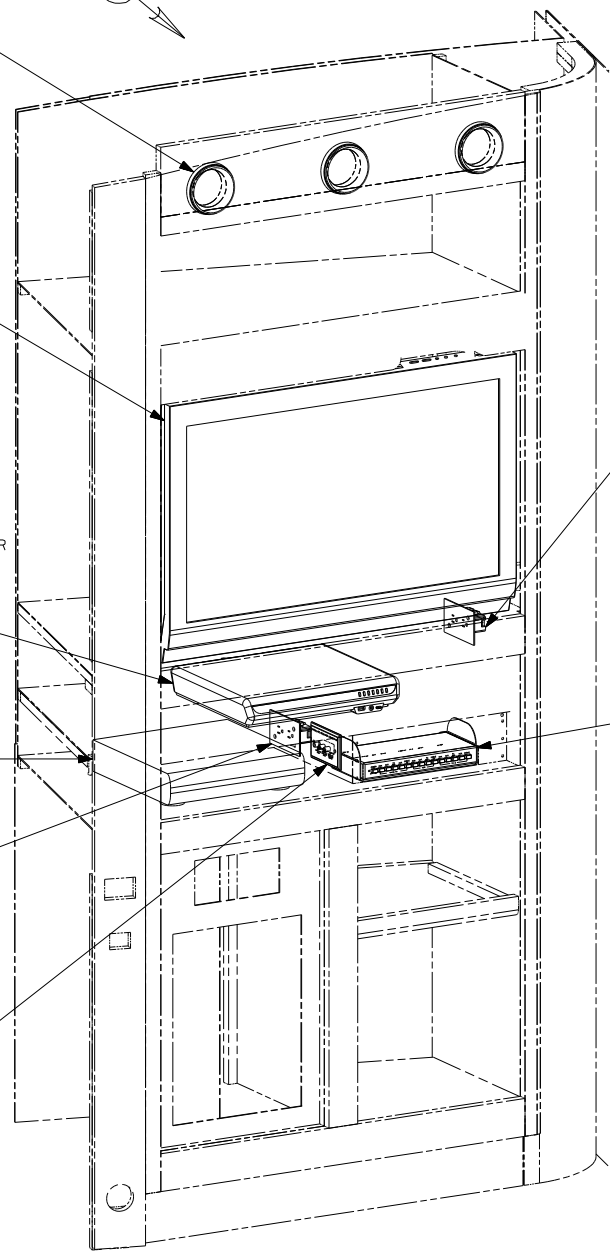
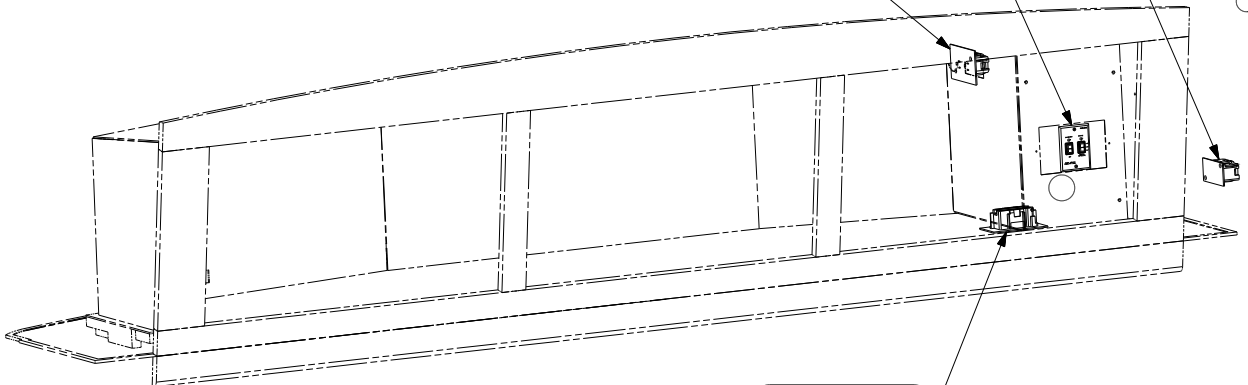
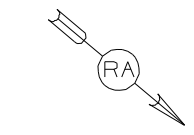
SPEAKER 160868-01-000 (3)
GRILLE 160868-02-CHT (3)
SCREW 611-08-08U (12)

CABLE ASM-SATELLITE CONTROL FROM ROOF ASM

3-PIN HOUSING CONNECTS TO WIRE WIRE ASM-ROOF

RJ-11 CONNECTOR IS TO BE INSERTED INTO CONNECTOR ON CONTROL SWITCH

4 CONDUCTOR CABLE TO CONTROL BOX



RCP-2 (PUR-2)
COMPONENT 1

CONTROL CENTER SWITCHING 142258-01-000
BRACKET-VIDEO SWITCH 156586-01-CHT
SCREW 611-08-12U (4)

- 48R SAT TV SYSTEM IN-MOTION
- 42K TV-32" COLOR, STEREO W/REMOTE
- 78K SATELLITE DISH-AUTOMATIC
- 79H ENTERTAINMENT CTR-INTERIOR
- 265 CODES/STANDARDS-CSA/CMVSS
- 1B1 CODES/STANDARDS USA

1B1 265 79H K32H

09 A-BODIES

DO NOT SCALE DRAWING

TITLE: WIRING INSTL-TV/DVD, SIDE

SHEET 5 PART NO 166268 REV

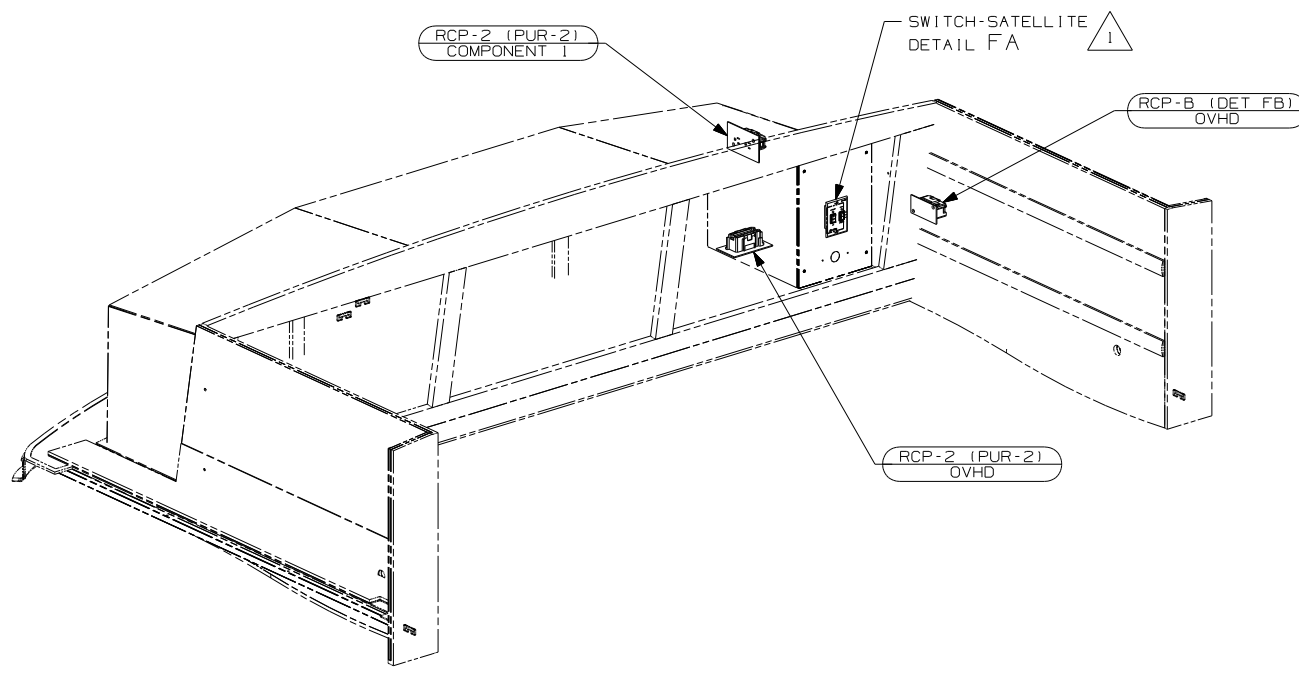
FOR ELECTRICAL TORQUE SPECIFICATIONS SEE DWG NO. 128783-01-000

FOR ELECTRICAL CALLOUTS SEE DWG NO. 121339-01-000

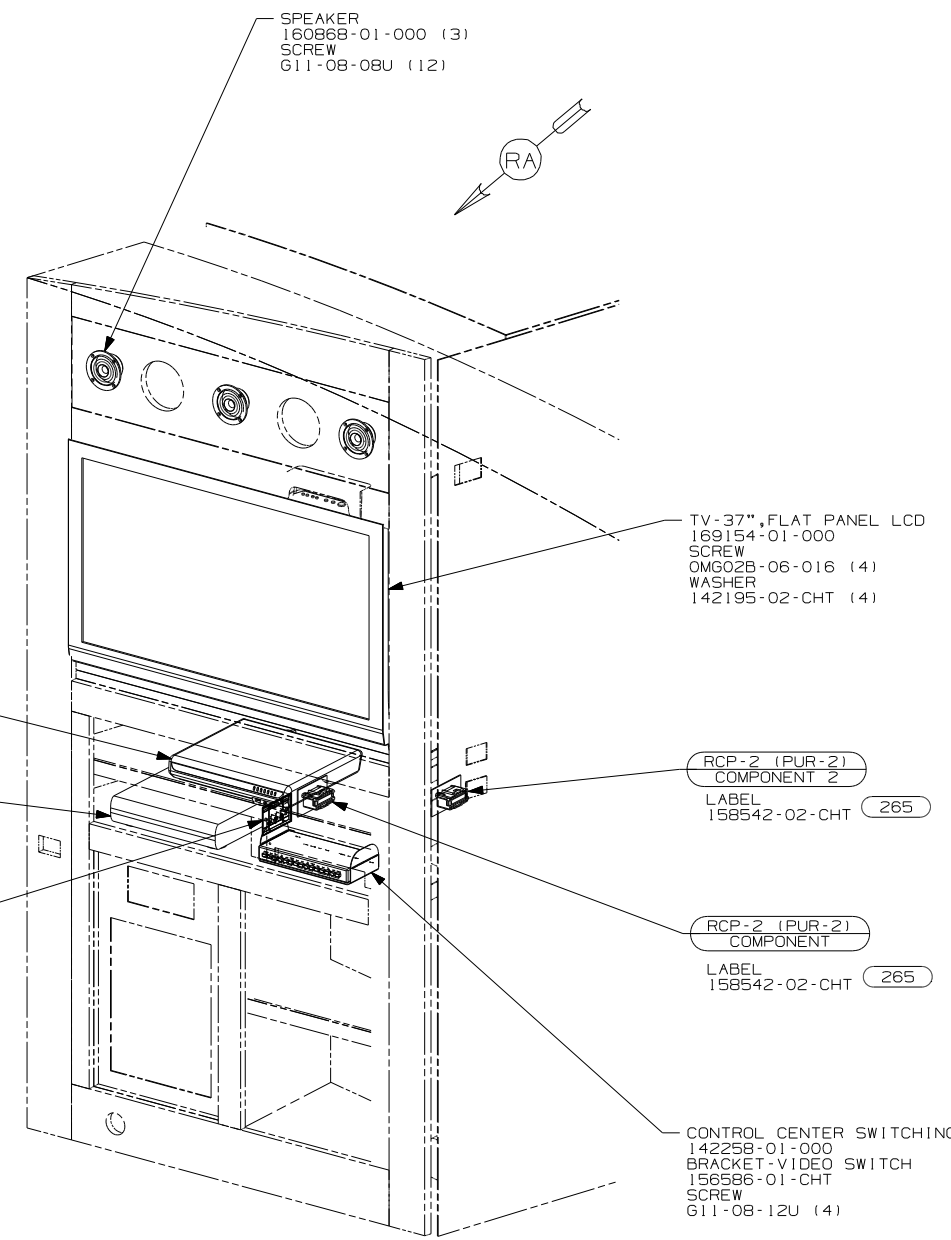
2 PARTS SUPPLIED WITH SATELLITE KIT 154474-02-000.

1 SEE ROOF ASM FOR ADDITIONAL INFORMATION.

NOTES:

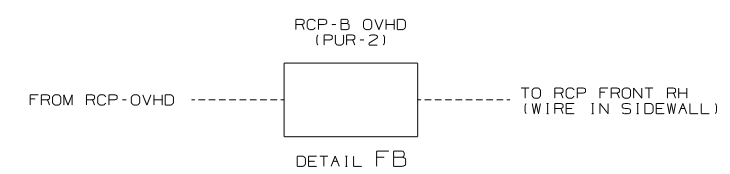
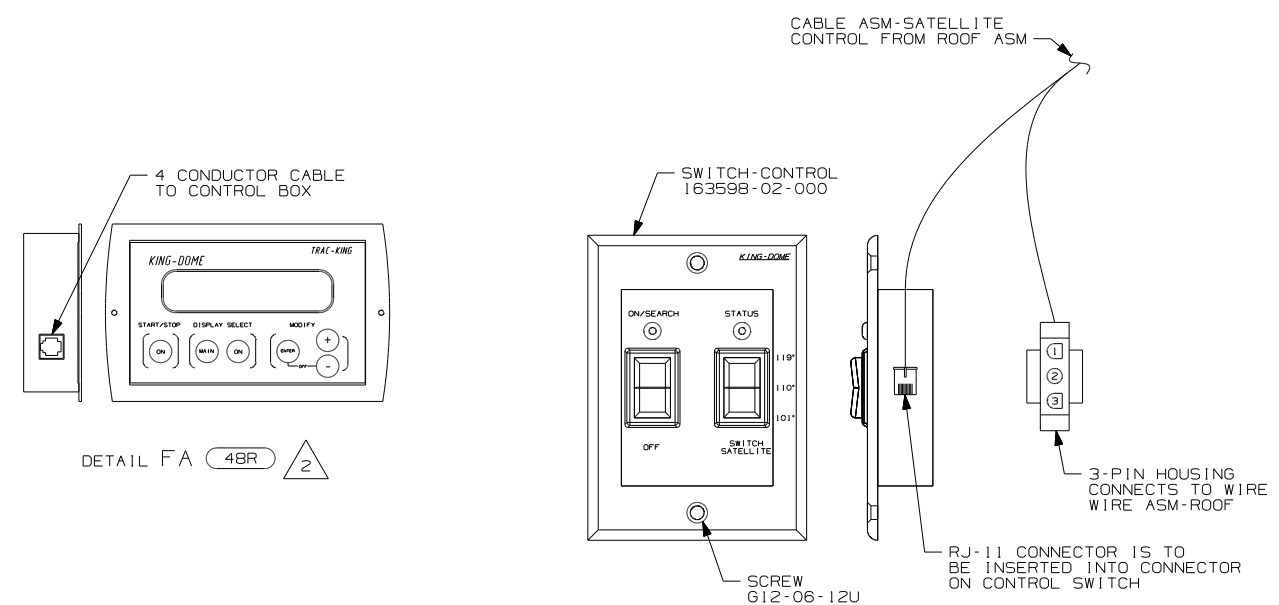


HOME THEATER SYSTEM
 164270-01-000
 WIRE ASM-JUMPER,SPEAKER
 153349-08-000
 FASTENER-DUAL LOCK
 85774-01-000
 85774-02-000



SATELLITE RECEIVER (REF)

PLATE-WALL
 149557-04-CHT
 SCREW
 G67-10-08U (2)



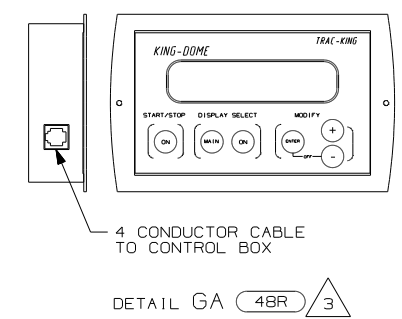
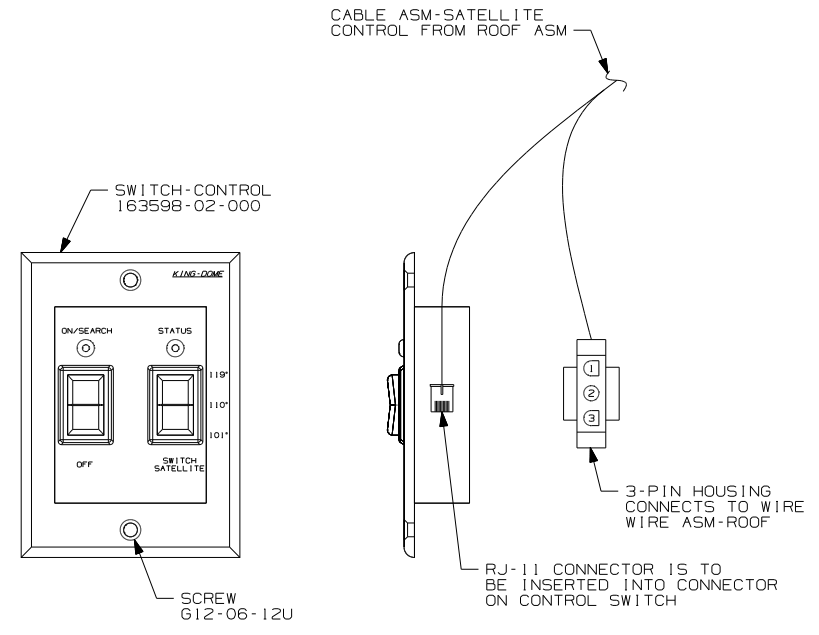
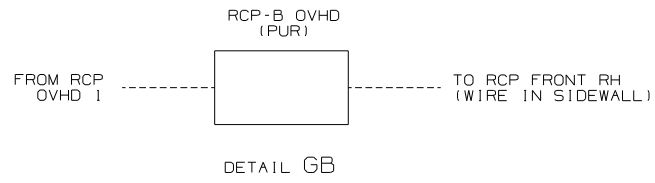
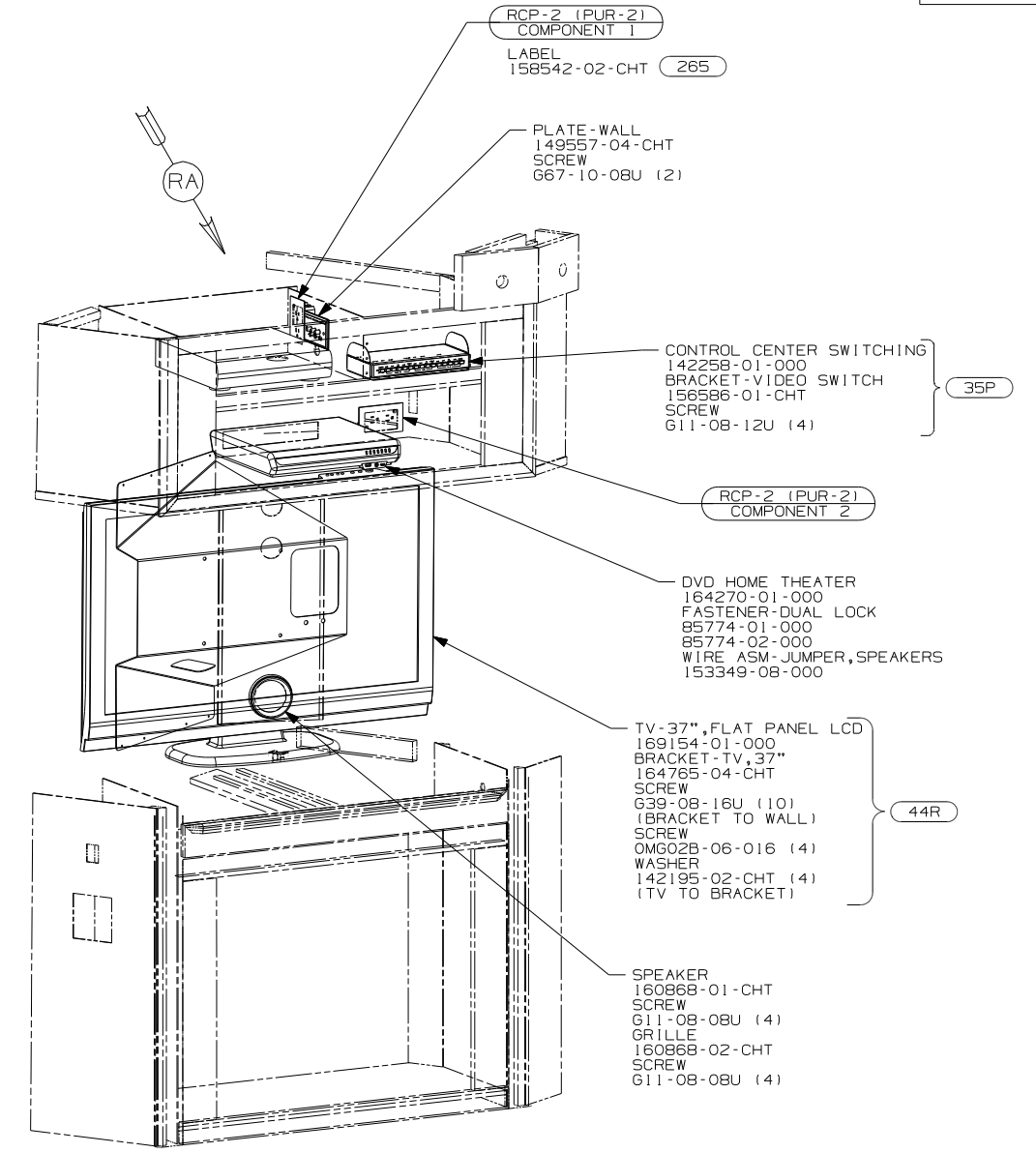
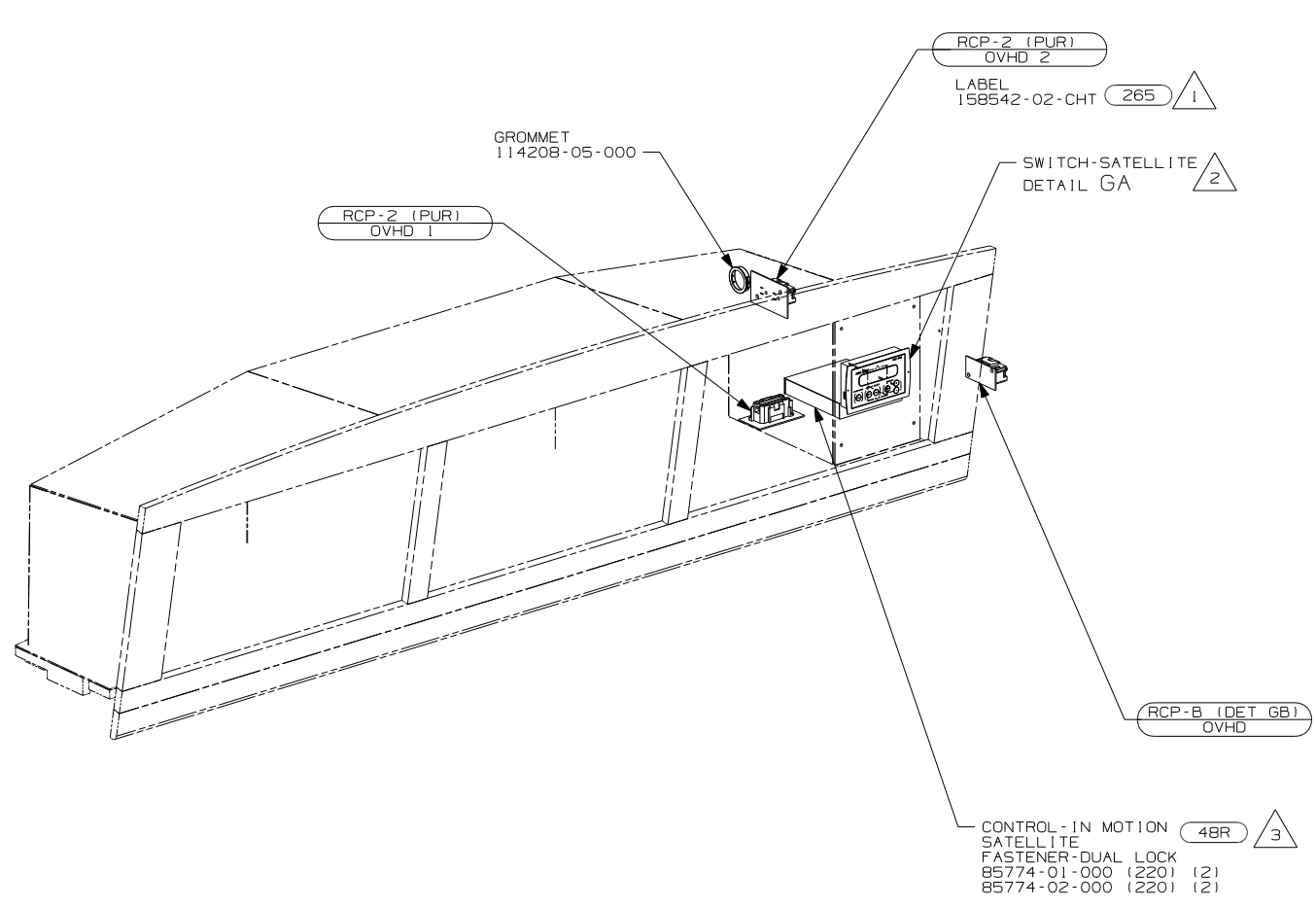
- (48R) SAT TV SYSTEM IN-MOTION
- (44R) TV-37" COLOR, STEREO W/REMOTE
- (78K) SATELLITE DISH-AUTOMATIC
- (79H) ENTERTAINMENT CTR-INTERIOR
- (265) CODES/STANDARDS-CSA/CMVSS
- (1B1) CODES/STANDARDS USA

(1B1)	(265)	(79H)	K35P
FIRST USED			
09 A-BODIES			
DO NOT SCALE DRAWING			
TITLE:			
WIRING INSTL-TV/DVD, SIDE			
SHEET 6	PART NO	166268	REV

FOR ELECTRICAL TORQUE SPECIFICATIONS SEE DWG NO. 128783-01-000

FOR ELECTRICAL CALLOUTS SEE DWG NO. 121339-01-000

NOTES:
 (2) PARTS SUPPLIED WITH SATELLITE KIT 154474-02-000.
 (1) SEE ROOF ASM FOR ADDITIONAL INFORMATION.



- 480 SATELLITE DISH & ELEV.SENSOR
- 78C SATELLITE SYSTEM READY
- 78K SATELLITE DISH-AUTOMATIC
- 48R SAT SYS IN-MOTION W/O RCVR
- 44R TV-37" COLOR,STEREO W/REMOTE
- 35P VIDEO SELECTION SYSTEM
- 79H ENTERTAINMENT CTR-INTERIOR
- 265 CODES/STANDARDS-CSA/CMVSS
- 1B1 CODES/STANDARDS USA

NOTES:

3 PARTS ARE SUPPLIED WITH SATELLITE KIT 154474-02-000.

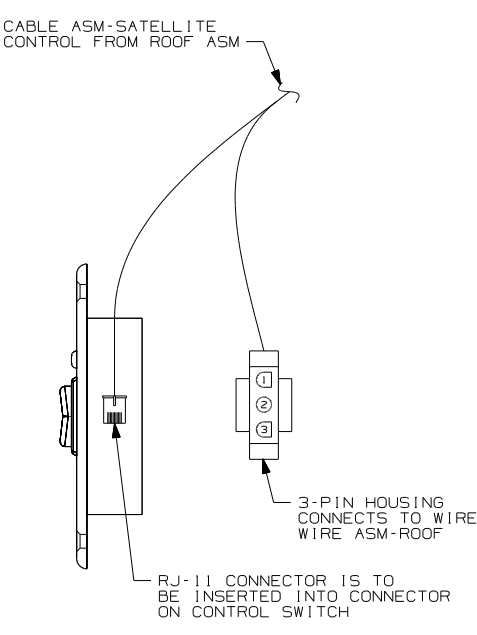
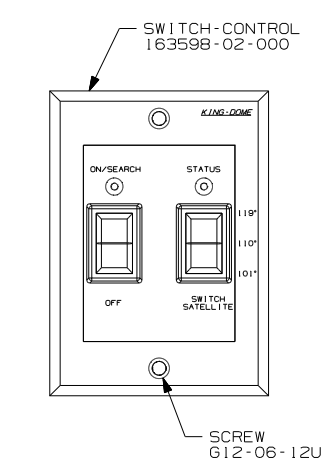
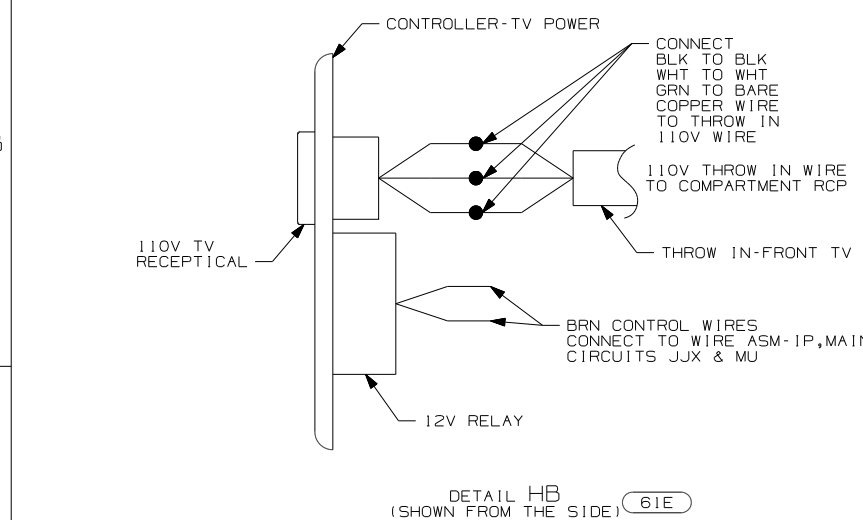
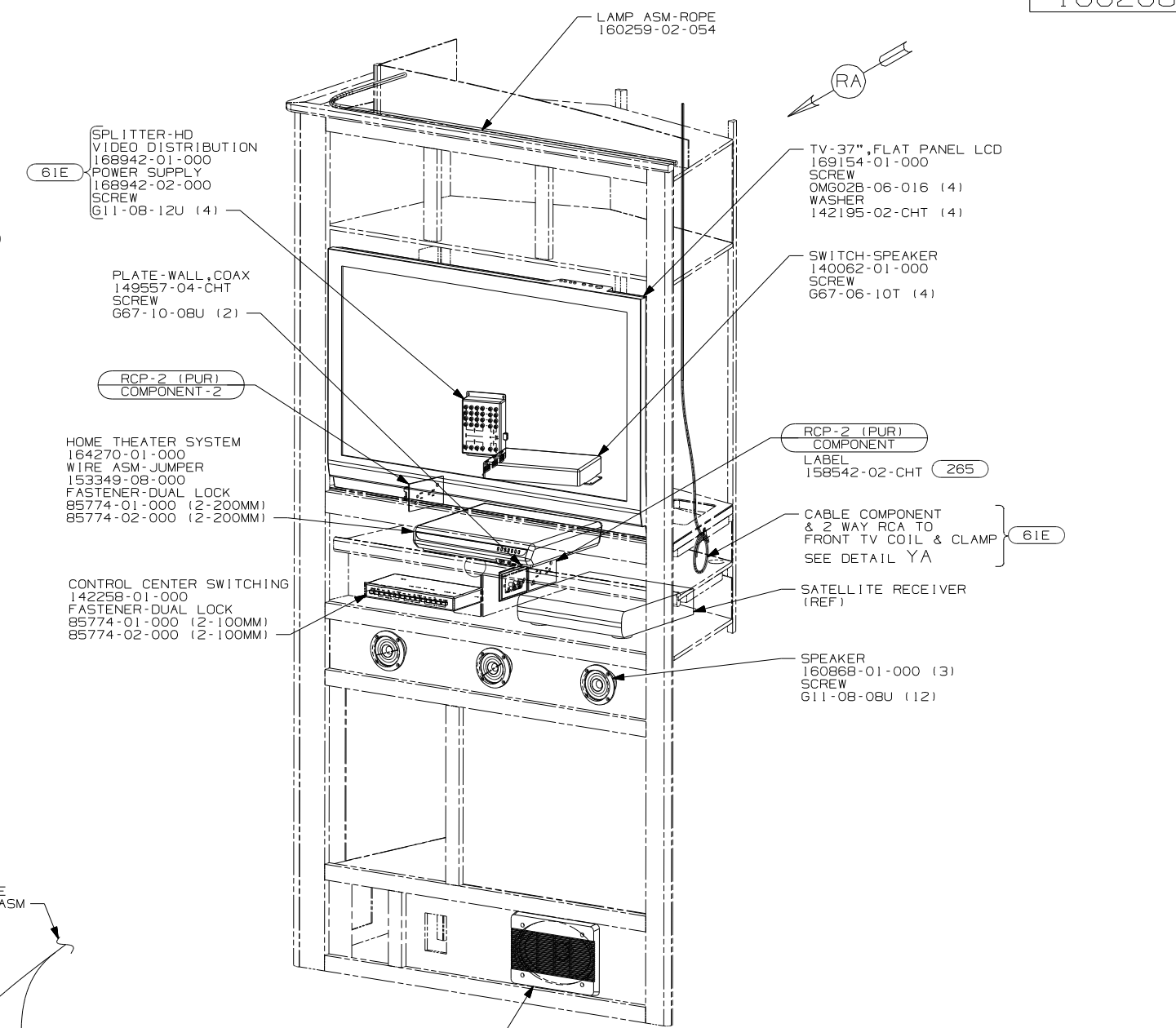
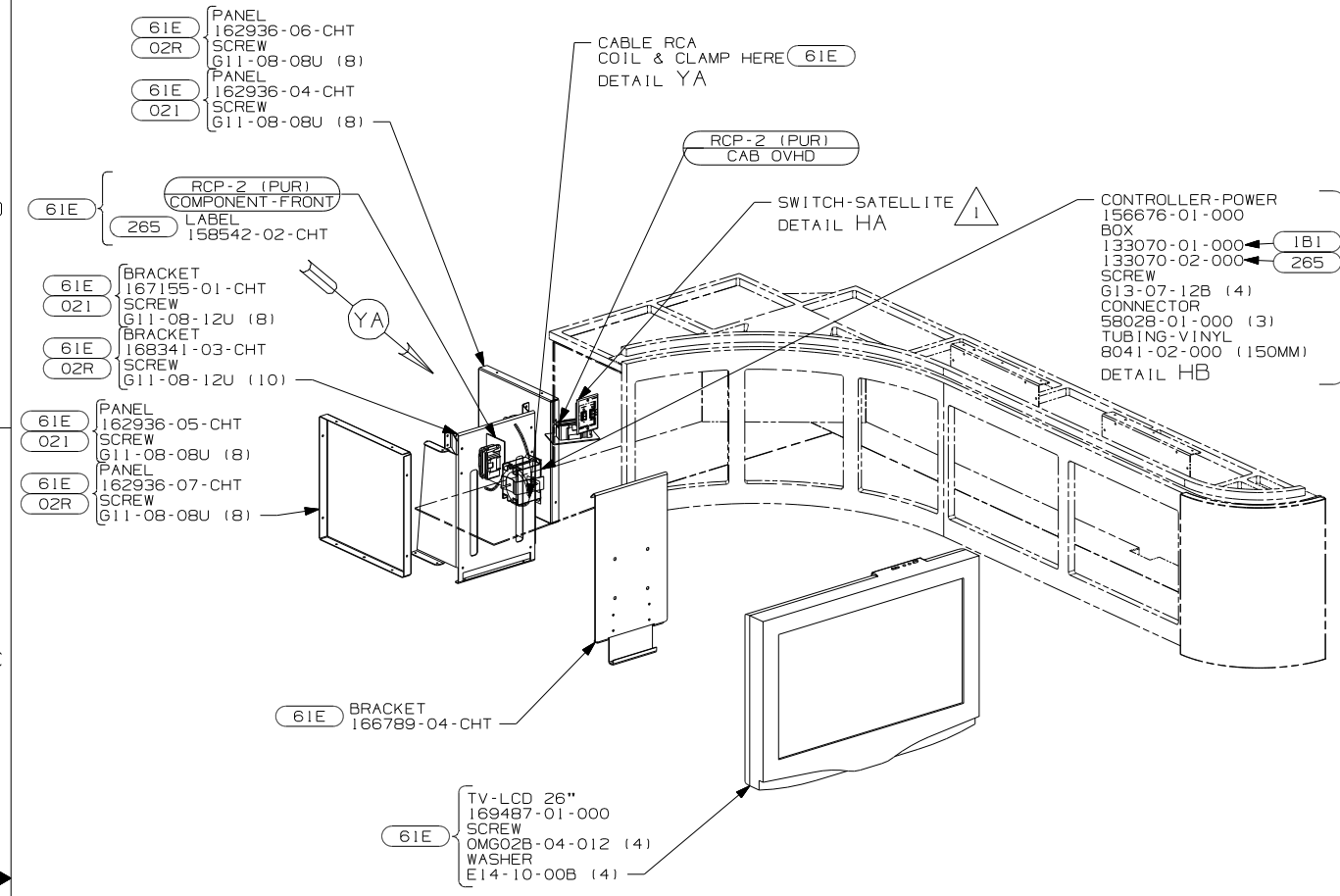
2 SEE ROOF ASM FOR ADDITIONAL INFORMATION.

1 ONLY WITH 78C OR 480 OR 78K NOT USED WITH 48R

FOR ELECTRICAL TORQUE SPECIFICATIONS SEE DWG NO. 128783-01-000

FOR ELECTRICAL CALLOUTS SEE DWG NO. 121339-01-000

1B1	265	79H	K38T
FIRST USED			
09 A-BODIES			
DO NOT SCALE DRAWING			
TITLE: WIRING INSTL-TV/DVD,SIDE			
SHEET 7	PART NO	166268	REV



- 02R CABINET DOORS - TRADITIONAL
- 021 CABINET DOORS - FRAMELESS
- 61E TV(FRONT)-26" COLOR STEREO
- 35P VIDEO SELECTION SYSTEM
- 43G TV-30" COLOR, STEREO W/REMOTE
- 1JM HOME THEATER SOUND SYSTEM
- 79H ENTERTAINMENT CTR-INTERIOR
- 265 CODES/STANDARDS-CSA/CMVSS
- 1B1 CODES/STANDARDS USA

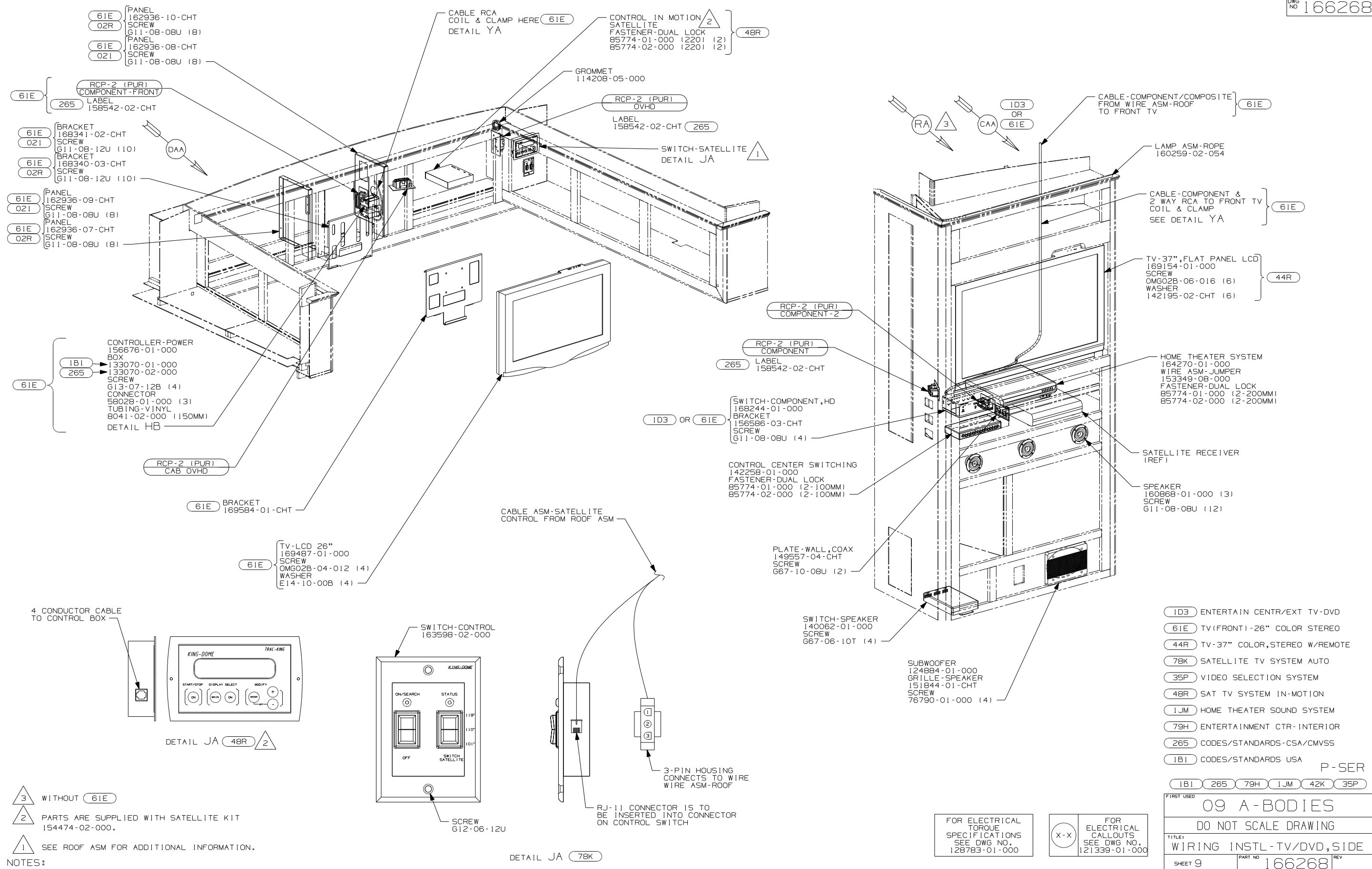
- NOTES:
- 3 POSITION TRANSMITTER ON TOP OF HOME THEATER SO THAT TRANSMITTER IS ABOVE THE HOME THEATER "1R" EYE.
 - 2 POSITION TRANSMITTER IN THE MIDDLE OF THE SHELF TOWARD OUTER EDGE.
 - 1 SEE ROOF ASM FOR ADDITIONAL INFORMATION.

FOR ELECTRICAL TORQUE SPECIFICATIONS SEE DWG NO. 128783-01-000

X-X FOR ELECTRICAL CALLOUTS SEE DWG NO. 121339-01-000

M37G, M39W

FIRST USED	09 A-BODIES
DO NOT SCALE DRAWING	
TITLE: WIRING INSTL-TV/DVD, SIDE	
SHEET 8	PART NO 166268 REV



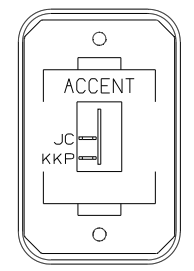
- NOTES:
- 3 WITHOUT 61E
 - 2 PARTS ARE SUPPLIED WITH SATELLITE KIT 154474-02-000.
 - 1 SEE ROOF ASM FOR ADDITIONAL INFORMATION.

- ID3 ENTERTAIN CENTR/EXT TV-DVD
- 61E TV(FRONT) -26" COLOR STEREO
- 44R TV-37" COLOR,STEREO W/REMOTE
- 78K SATELLITE TV SYSTEM AUTO
- 35P VIDEO SELECTION SYSTEM
- 48R SAT TV SYSTEM IN-MOTION
- 1JM HOME THEATER SOUND SYSTEM
- 79H ENTERTAINMENT CTR-INTERIOR
- 265 CODES/STANDARDS-CSA/CMVSS
- 1B1 CODES/STANDARDS USA

FOR ELECTRICAL TORQUE SPECIFICATIONS SEE DWG NO. 128783-01-000

FOR ELECTRICAL CALLOUTS SEE DWG NO. 121339-01-000

FIRST USED		
09 A-BODIES		
DO NOT SCALE DRAWING		
TITLE: WIRING INSTL-TV/DVD, SIDE		
SHEET 9	PART NO 166268	REV



SWITCH-ROCKER
135740-01-CHT
SWITCH-BASE
135741-01-CHT
SWITCH-BEZEL
135742-50-CHT
SCREW
611-08-08U (2)

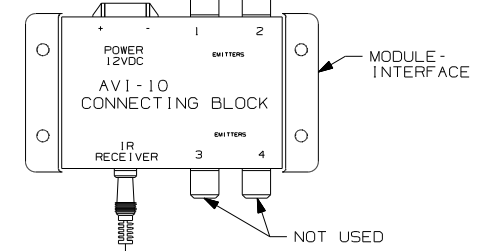
48R 5 CONTROL-IN MOTION
SATELLITE
FASTENER-DUAL LOCK
85774-01-000 (220) (2)
85774-02-000 (220) (2)

RCP-2 (PUR)
OVHD 2
LABEL
158542-02-CHT 265 4

2 SWITCH-SATELLITE
DETAIL KA

SWITCH-SPEAKER
140062-01-000
FASTENER-DUAL LOCK
85774-01-000 (220) (2)
85774-02-000 (220) (2)

TRANSMITTER TO FUTURE
SATELLITE RECEIVER TO DVD PLAYER



CABLE-RECEIVER, IR
149750-06-000
TO RECEIVER-INFRARED
DETAIL KD

6 SPEAKER-CUBE
148026-03-CHT (2)
SCREW
611-08-08U (8)
BRACKET-MOUNT, SPEAKER
149422-02-CHT (2)

1 LAMP ASM-ROPE
160259-02-174

44R TV-37" SAMSUNG
164605-01-000

SPEAKER-ROUND
160868-01-CHT
GRILLE
160868-02-CHT
SCREW
611-08-08U (4)

RECEIVER-INFRARED
149750-01-000

8 TRANSMITTER
149750-03-000

PLATE-WALL, ANT/CABLE
86784-01-CHT

DVD HOME THEATER
165199-01-000
FASTENER-DUAL LOCK
85774-01-000
85774-02-000
WIRE ASM-JUMPER, SPEAKERS
153349-06-000

RCP-2 (BLU)
COMPONENT 1
LABEL
158542-02-CHT 265

MODULE-INTERFACE, IR
149750-04-000
FASTENER-DUAL LOCK
85774-01-000 (100)
85774-02-000 (100)
SEE DETAIL HC

SWITCH-COMPONENT HD
168244-01-000
BRACKET-VIDEO SWITCH
156586-03-CHT
SCREW
611-08-12U (4) 35P

RCP-2 (BLU)
COMPONENT 2

RCP-FIREPLACE
(REF)
OR
RCP-COMPONENT 3
(REF) 7

PLATE-WALL
149557-09-CHT
SCREW
667-10-08U (2)

TRANSMITTER
149750-03-000

- 192 TV ANTENNA-AMPLIFIED SYS PWR
- 78C SATELLITE SYSTEM READY
- 78K SATELLITE DISH-AUTOMATIC
- 48R SAT SYS IN-MOTION W/O RCVR
- 44R TV-37" COLOR, STEREO W/REMOTE
- 35P VIDEO SELECTION SYSTEM
- 79H ENTERTAINMENT CTR-INTERIOR
- 265 CODES/STANDARDS-CSA/CMVSS
- 1B1 CODES/STANDARDS USA

1B1 265 79H R40FD

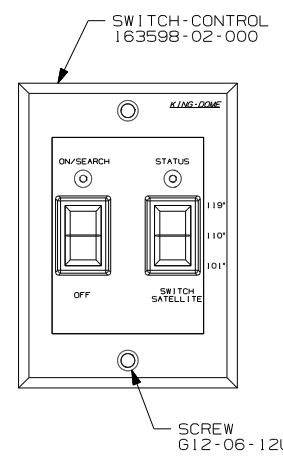
09 A-BODIES

DO NOT SCALE DRAWING

TITLE:
WIRING INSTL-TV/DVD, SIDE

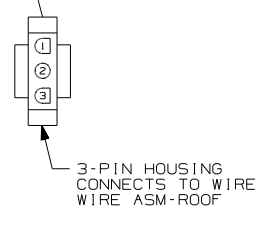
SHEET 10 PART NO 166268 REV

- NOTES:
- 8 ROUTE TRANSMITTER THROUGH HOLES & COIL FOR FUTURE USE.
 - 7 SEE WIRING INSTL-BODY, 110V FOR ADDITIONAL INFORMATION.
 - 6 SPEAKER WIRING FROM WIRE ASM-ROOF.
 - 5 PARTS ARE SUPPLIED WITH SATELLITE KIT 154474-02-000.
 - 4 ONLY WITH 78C OR 78K
NOT USED WITH 48R
 - 3 PLACE CONNECTOR HERE TO MAKE CONNECTION TO MATING WIRE ASM
CIRCUITS KKP & NC.
 - 2 SEE ROOF ASM FOR ADDITIONAL INFORMATION.
 - 1 SNAP ROPE LIGHT IN CHANNELS ON OVHD CABINETS.

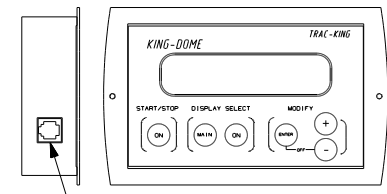


DETAIL KA 78K

CABLE ASM-SATELLITE
CONTROL FROM ROOF ASM



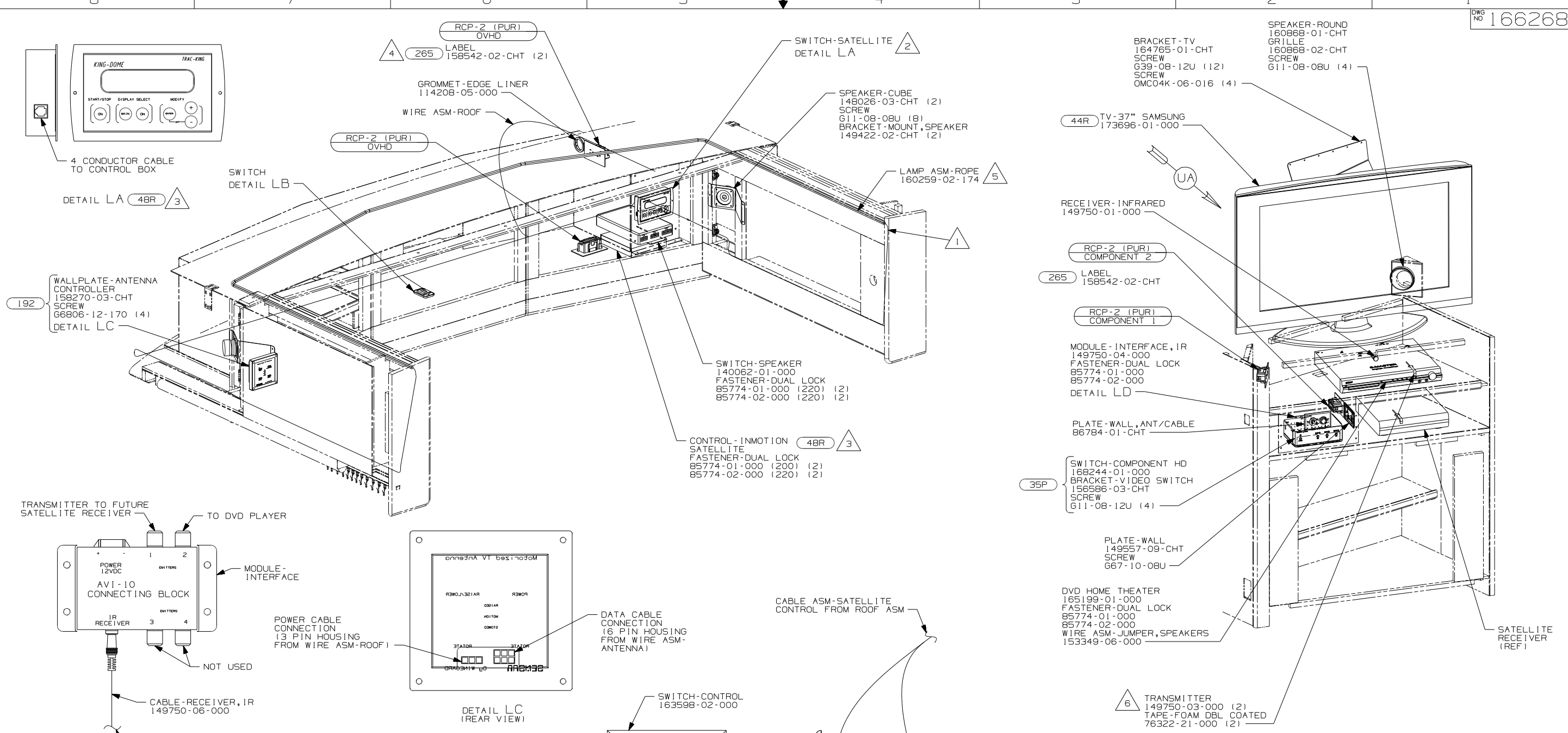
RJ-11 CONNECTOR IS TO
BE INSERTED INTO CONNECTOR
ON CONTROL SWITCH



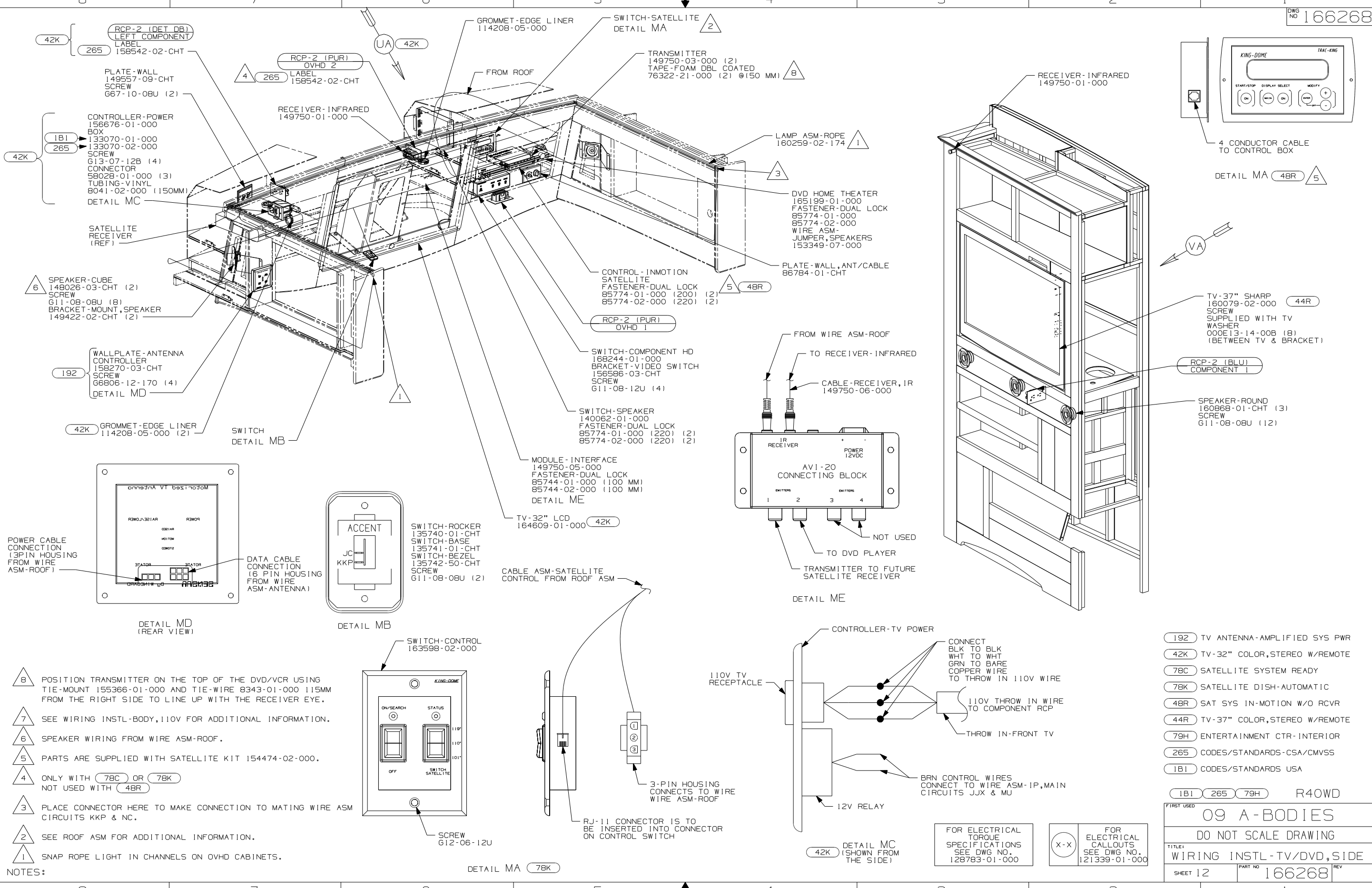
DETAIL KA 48R 5

FOR ELECTRICAL
TORQUE
SPECIFICATIONS
SEE DWG NO.
128783-01-000

X-X FOR
ELECTRICAL
CALLOUTS
SEE DWG NO.
121339-01-000



- BRACKET-TV
164765-01-CHT
SCREW
G39-08-12U (12)
SCREW
OMC04K-06-016 (4)
- 44R TV-37" SAMSUNG
173696-01-000
- RECEIVER-INFRARED
149750-01-000
- RCP-2 (PUR)
COMPONENT 2
- 265 LABEL
158542-02-CHT
- RCP-2 (PUR)
COMPONENT 1
- MODULE-INTERFACE, IR
149750-04-000
FASTENER-DUAL LOCK
85774-01-000
85774-02-000
- DETAIL LD
- PLATE-WALL, ANT/CABLE
86784-01-CHT
- 35P SWITCH-COMPONENT HD
168244-01-000
BRACKET-VIDEO SWITCH
156586-03-CHT
SCREW
G11-08-12U (4)
- PLATE-WALL
149557-09-CHT
SCREW
G67-10-08U
- DVD HOME THEATER
165199-01-000
FASTENER-DUAL LOCK
85774-01-000
85774-02-000
WIRE ASM-JUMPER, SPEAKERS
153349-06-000
- 6 TRANSMITTER
149750-03-000 (2)
TAPE-FOAM DBL COATED
76322-21-000 (2)
- 192 TV ANTENNA-AMPLIFIED SYS PWR
- 78K SATTELLITE DISH-AUTOMATIC
- 78C SATTELLITE SYSTEM READY
- 48R SAT SYS IN-MOTION W/O RCVR
- 44R TV-37" COLOR, STEREO W/REMOTE
- 35P VIDEO SELECTION SYSTEM
- 265 CODES/STANDARDS-CSA/CMVSS
- 1B1 CODES/STANDARDS USA
- 1B1 265 R40TD
- 09 A-BODIES
- DO NOT SCALE DRAWING
- TITLE: WIRING INSTL-TV/DVD, SIDE
- SHEET 11 PART NO 166268 REV



- NOTES:**
- 8 POSITION TRANSMITTER ON THE TOP OF THE DVD/VCR USING TIE-MOUNT 155366-01-000 AND TIE-WIRE 8343-01-000 115MM FROM THE RIGHT SIDE TO LINE UP WITH THE RECEIVER EYE.
 - 7 SEE WIRING INSTL-BODY, 110V FOR ADDITIONAL INFORMATION.
 - 6 SPEAKER WIRING FROM WIRE ASM-ROOF.
 - 5 PARTS ARE SUPPLIED WITH SATELLITE KIT 154474-02-000.
 - 4 ONLY WITH 78C OR 78K NOT USED WITH 48R
 - 3 PLACE CONNECTOR HERE TO MAKE CONNECTION TO MATING WIRE ASM CIRCUITS KKP & NC.
 - 2 SEE ROOF ASM FOR ADDITIONAL INFORMATION.
 - 1 SNAP ROPE LIGHT IN CHANNELS ON OVHD CABINETS.

- 192 TV ANTENNA-AMPLIFIED SYS PWR
- 42K TV-32" COLOR, STEREO W/REMOTE
- 78C SATELLITE SYSTEM READY
- 78K SATELLITE DISH-AUTOMATIC
- 48R SAT SYS IN-MOTION W/O RCVR
- 44R TV-37" COLOR, STEREO W/REMOTE
- 79H ENTERTAINMENT CTR-INTERIOR
- 265 CODES/STANDARDS-CSA/CMVSS
- 1B1 CODES/STANDARDS USA

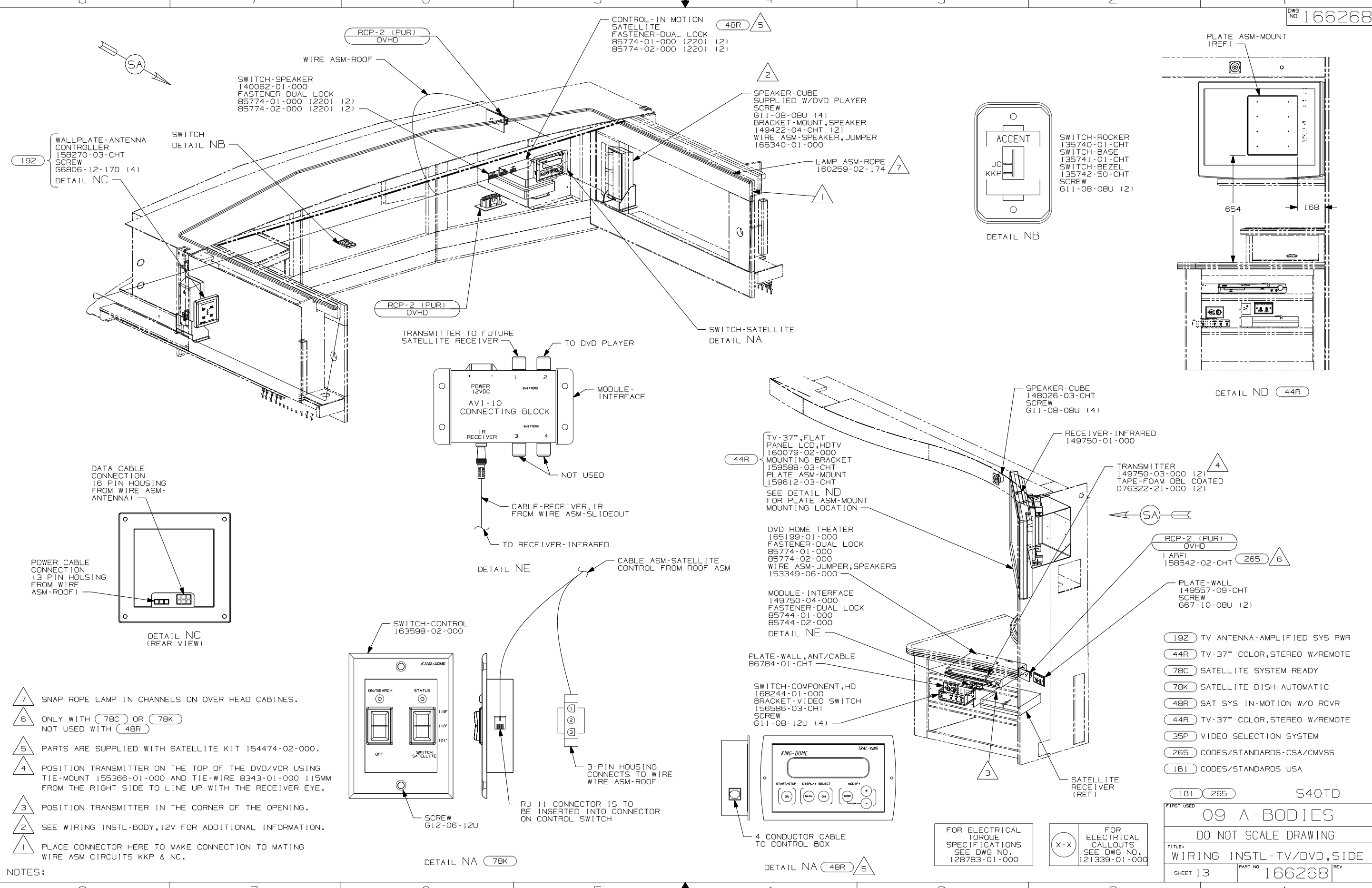
FIRST USED	
09 A-BODIES	
DO NOT SCALE DRAWING	
TITLE:	
WIRING INSTL-TV/DVD, SIDE	
SHEET 12	PART NO 166268 REV

FOR ELECTRICAL TORQUE SPECIFICATIONS SEE DWG NO. 128783-01-000

FOR ELECTRICAL CALLOUTS SEE DWG NO. 121339-01-000

42K DETAIL MC (SHOWN FROM THE SIDE)

78K DETAIL MA

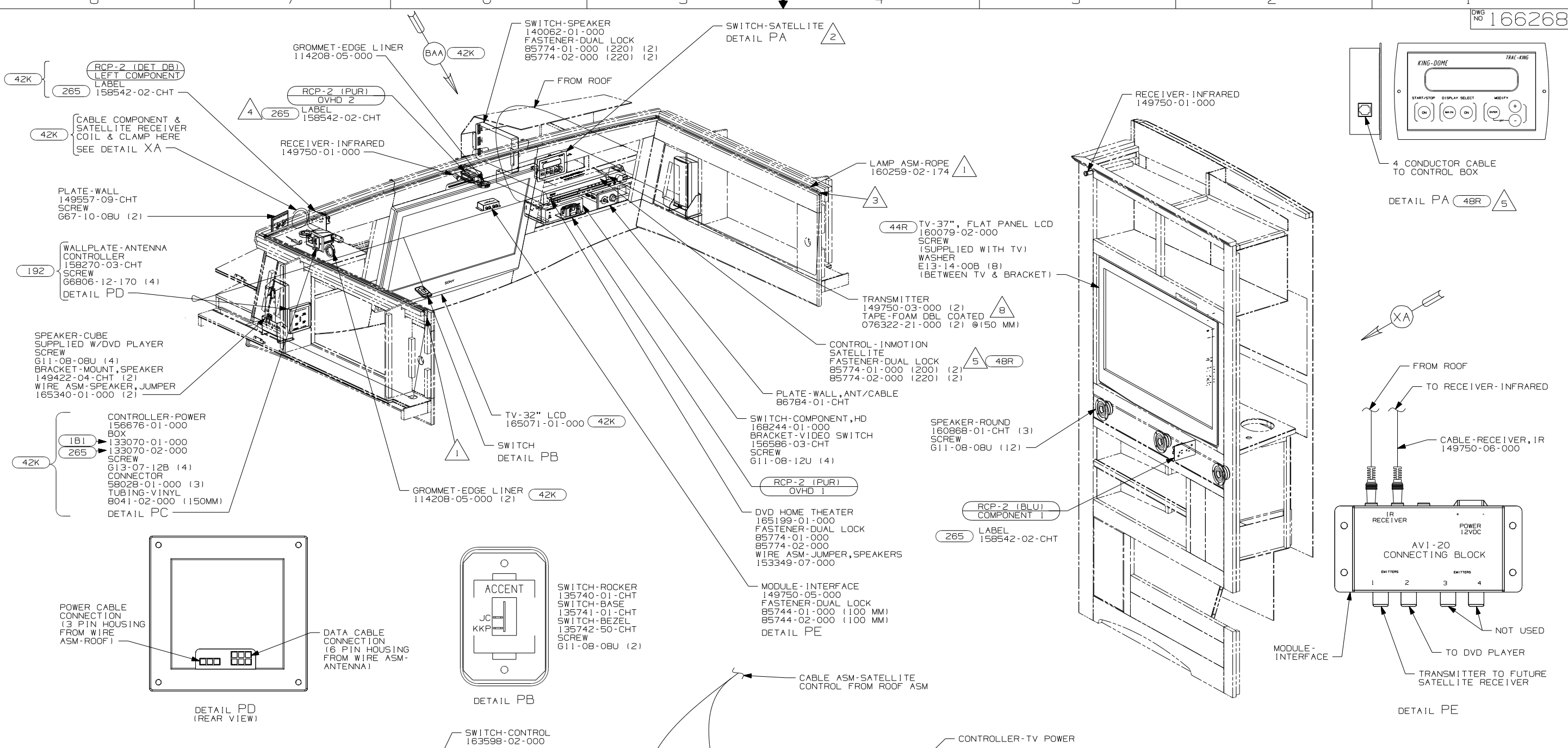


- NOTES:
- 7 SNAP ROPE LAMP IN CHANNELS ON OVER HEAD CABINES.
 - 6 ONLY WITH 78C OR 78K NOT USED WITH 48R
 - 5 PARTS ARE SUPPLIED WITH SATELLITE KIT 154474-02-000.
 - 4 POSITION TRANSMITTER ON THE TOP OF THE DVD/VCR USING TIE-MOUNT 155366-01-000 AND TIE-WIRE 8343-01-000 115MM FROM THE RIGHT SIDE TO LINE UP WITH THE RECEIVER EYE.
 - 3 POSITION TRANSMITTER IN THE CORNER OF THE OPENING.
 - 2 SEE WIRING INSTL-BODY,12V FOR ADDITIONAL INFORMATION.
 - 1 PLACE CONNECTOR HERE TO MAKE CONNECTION TO MATING WIRE ASM CIRCUITS KKP & NC.

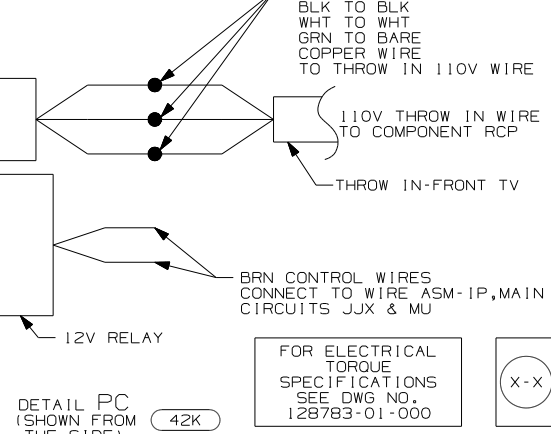
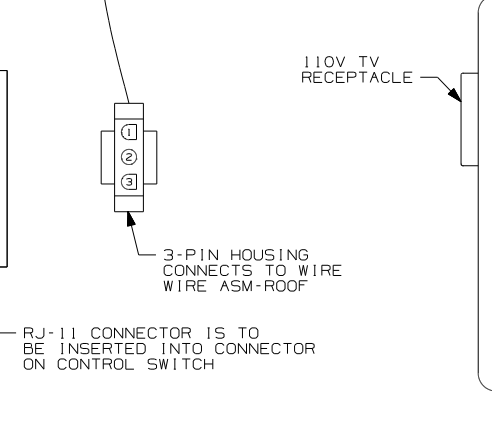
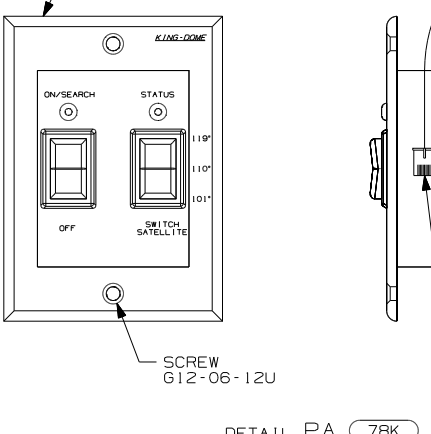
(192)	TV ANTENNA-AMPLIFIED SYS PWR
(44R)	TV-37" COLOR,STEREO W/REMOTE
(78C)	SATELLITE SYSTEM READY
(78K)	SATELLITE DISH-AUTOMATIC
(48R)	SAT SYS IN-MOTION W/O RCVR
(44R)	TV-37" COLOR,STEREO W/REMOTE
(35P)	VIDEO SELECTION SYSTEM
(265)	CODES/STANDARDS-CSA/CMVSS
(1B1)	CODES/STANDARDS USA
(1B1) (265)	S40TD
FIRST USED	
09 A-BODIES	
DO NOT SCALE DRAWING	
TITLE: WIRING INSTL-TV/DVD, SIDE	
SHEET 13	PART NO 166268 REV

FOR ELECTRICAL TORQUE SPECIFICATIONS SEE DWG NO. 128783-01-000

X-X FOR ELECTRICAL CALLOUTS SEE DWG NO. 121339-01-000

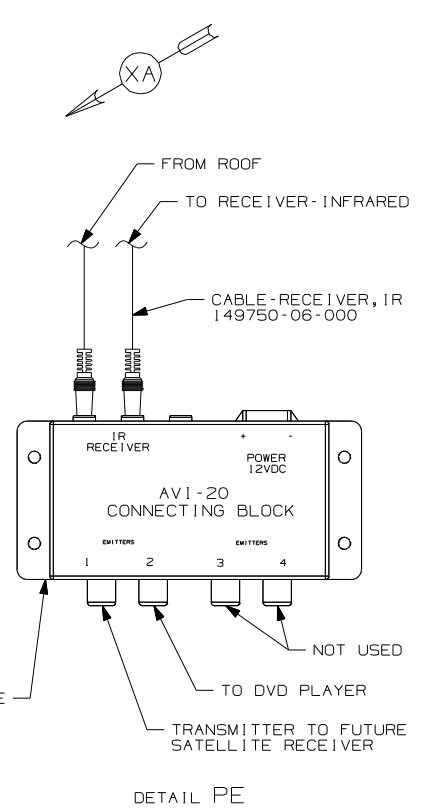
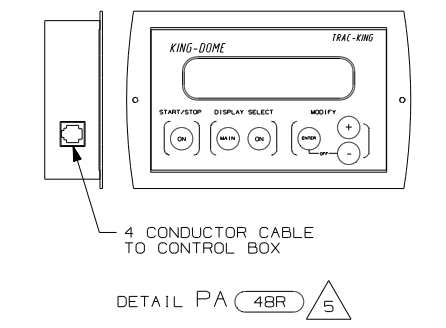


- NOTES:**
- 8 POSITION TRANSMITTER ON THE TOP OF THE DVD/VCR USING TIE-MOUNT 155366-01-000 AND TIE-WIRE 8343-01-000 115MM FROM THE RIGHT SIDE TO LINE UP WITH THE RECEIVER EYE.
 - 7 SEE WIRING INSTL-BODY, 110V FOR ADDITIONAL INFORMATION.
 - 6 SPEAKER WIRING FROM WIRE ASM-ROOF.
 - 5 PARTS ARE SUPPLIED WITH SATELLITE KIT 154474-02-000.
 - 4 ONLY WITH 78C OR 78K NOT USED WITH 48R
 - 3 PLACE CONNECTOR HERE TO MAKE CONNECTION TO MATING WIRE ASM CIRCUITS KKP & NC.
 - 2 SEE ROOF ASM FOR ADDITIONAL INFORMATION.
 - 1 SNAP ROPE LIGHT IN CHANNELS ON OVHD CABINETS.

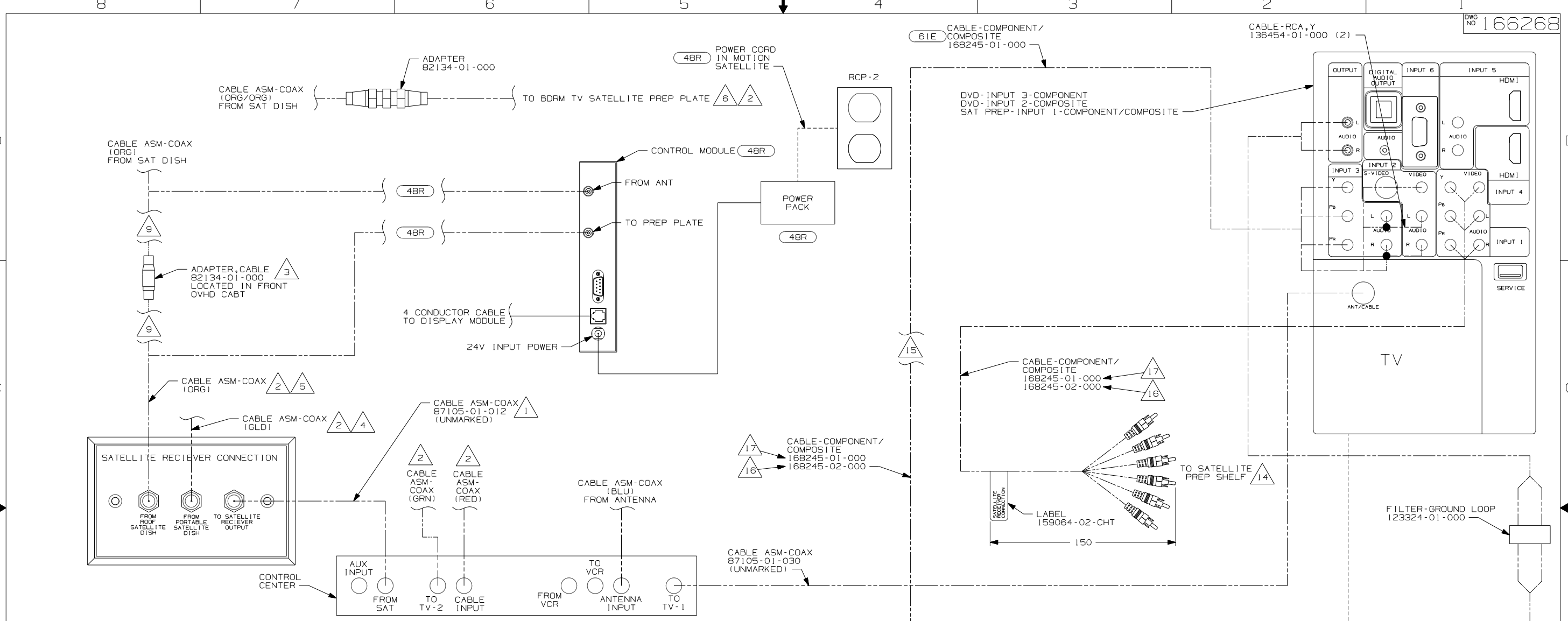


FOR ELECTRICAL TORQUE SPECIFICATIONS SEE DWG NO. 128783-01-000

FOR ELECTRICAL CALLOUTS SEE DWG NO. 121339-01-000



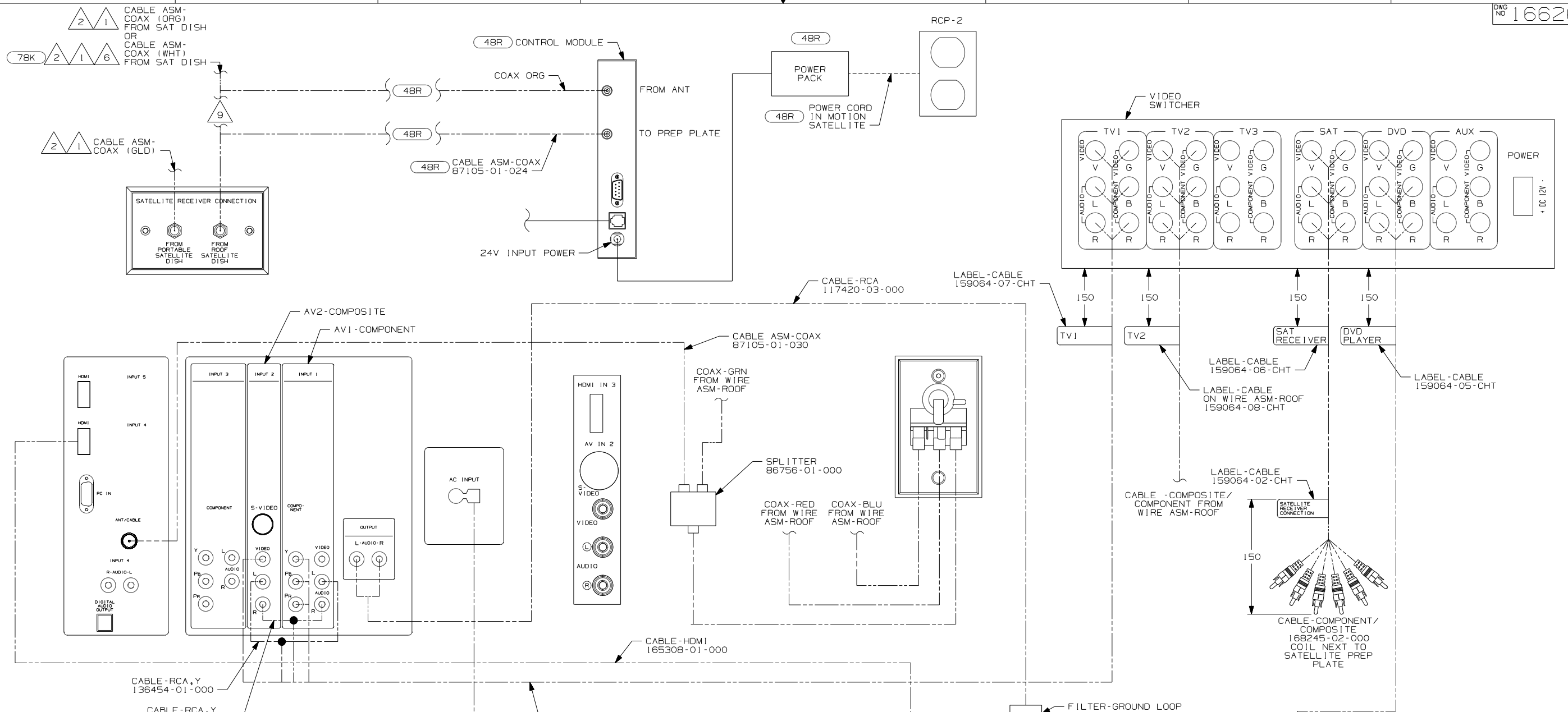
- 78C) SATELLITE SYSTEM READY
- 78K) SATELLITE DISH-AUTOMATIC
- 48R) SAT SYS IN-MOTION W/O RCVR
- 44R) TV-37\"/>



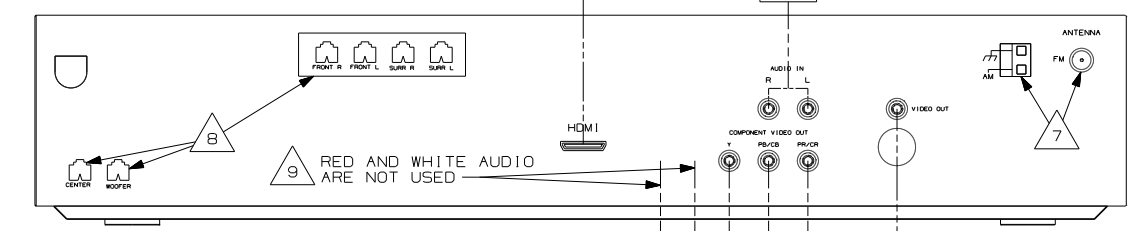
- 12 CONNECT ANTENNA CABLES TO DVD PLAYER AND MOUNT ANTENNAS AS HIGH AS POSSIBLE.
- 11 SET DVD PLAYER TO PROGRESSIVE SCAN OUT.
- 10 SET SWITCH TO ON POSITION BEFORE TV IS INSTALLED.
- 9 WITH (48R) COAX CABLES ARE CONNECTED TO THE SATELLITE CONTROL MODULE AS SHOWN BYPASSING THE ADAPTER, CABLE.
- 8 CABLE IS SUPPLIED WITH HOME THEATER RECEIVER.
- 7 INSERT WIRE PIN INTO CONNECTOR WITH SEAM ON TERMINAL FACING TERMINAL LOCK LEVER.
- 6 SEE WIRING INSTL-BODY, 12V FOR ADDITIONAL INFORMATION
- 5 CONNECTED TO THE REAR SIDE OF SATELLITE PREP PLATE, CONNECTION LABELED 'FROM ROOF SATELLITE DISH.'
- 4 CONNECTED TO THE REAR SIDE OF SATELLITE PREP PLATE, CONNECTION LABELED 'FROM PORTABLE SATELLITE DISH.'
- 3 NOT USED WITH (48R)
- 2 CABLE ROUTED IN ROOF OR THROUGH WIRE ASM-COACH.
- 1 CONNECTED TO THE REAR SIDE OF SATELLITE PREP PLATE, CONNECTION LABELED 'TO SATELLITE RECEIVER OUTPUT.'

- 17 NOT USED ON J38N & K38T.
- 16 USED ON J38N & K38T.
- 15 WITH OPTION (61E) CABLES CONNECT TO VIDEO DISTRIBUTION SYSTEM. SEE SHT 21 FOR ADDITIONAL INFORMATION.
- 14 ROUTE CABLE TO LEFT OVHD CABINET AND COIL EXCESS NEXT TO SATELLITE PREP PLATE.
- 13 TAPE UNUSED YELLOW CIRCUIT BACK TO MAIN CABLE.

- (61E) TV(FRONT)-26" COLOR STEREO
- (78K) SATELLITE DISH-AUTOMATIC
- (48R) SAT SYS IN-MOTION W/O RCVR
- (44R) TV-37" COLOR, STEREO W/REMOTE
- (42K) TV-32" COLOR, STEREO W/REMOTE
- (1JM) HOME THEATER SOUND SYSTEM
- (265) CODES/STANDARDS-CSA/CMVSS
- (1B1) CODES/STANDARDS USA

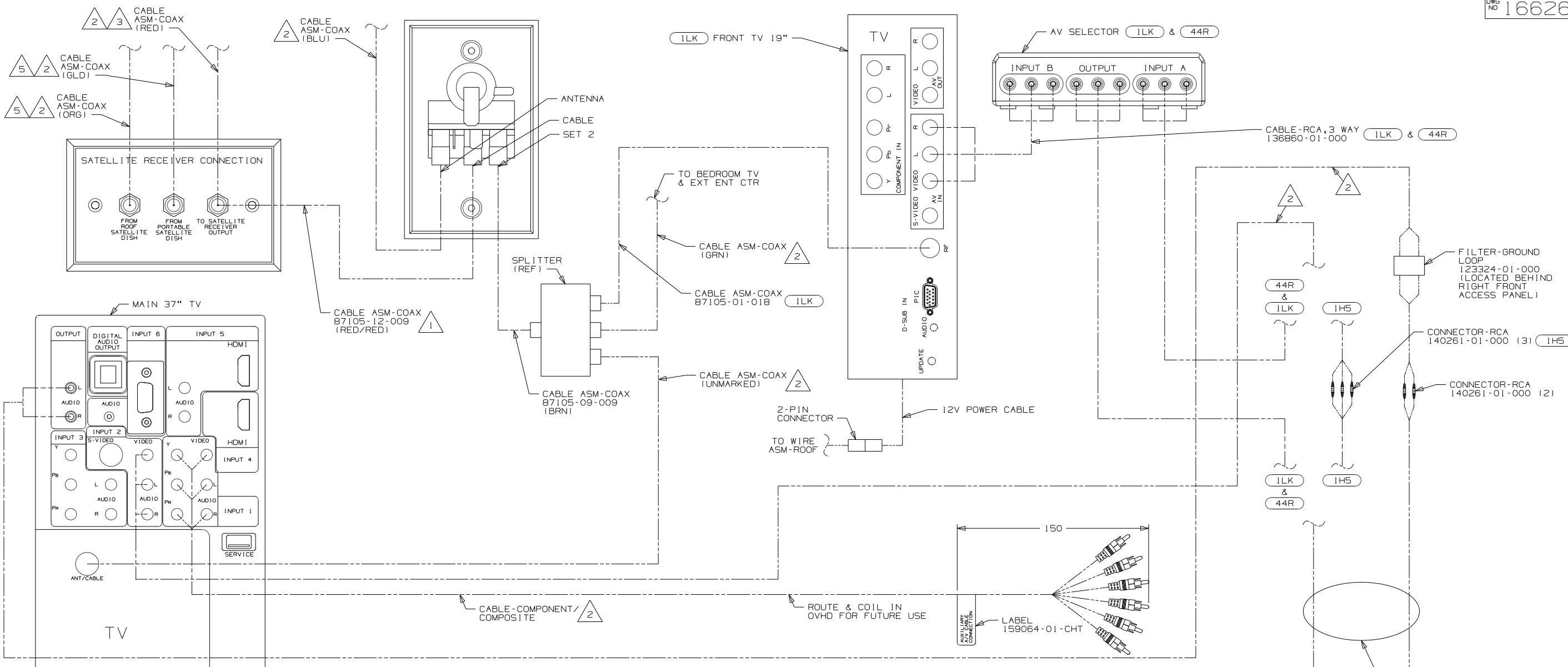


- NOTES:
- 9 TAPE UNUSED WIRES BACK TO CABLE ASM.
 - 8 ANTENNA CABLES ARE TO BE ROUTED INTO FRONT CAP AREA AND ATTACHED TO FRONT EDGE OF ROOF.
 - 7 SPEAKER OUT TO WIRE ASM-JUMPER, SPEAKER, CONNECT COLOR TO COLOR.
 - 6 WHT COAX IS PART OF WIRE ASM-SATELLITE AUTO GRAY COAX IS NOT USED, TAPE BACK TO HARNESS.
 - 5 CONNECTED TO THE REAR SIDE OF SATELLITE PREP PLATE, CONNECTION LABELED 'FROM ROOF SATELLITE DISH.'
 - 4 WITHOUT (48R) CABLE CONNECTS DIRECTLY TO PREP PLATE. SEE ALTERNAE ROUTING WITH (48R)
 - 3 CABLE IS SUPPLIED WITH DVD/VCR.
 - 2 CABLE ROUTED IN ROOF.
 - 1 CONNECTED TO THE REAR SIDE OF SATELLITE PREP PLATE, CONNECTION LABELED 'TO SATELLITE RECEIVER OUTPUT.'



- (78K) SATELLITE DISH-AUTOMATIC
- (48R) SAT SYS IN-MOTION W/O RCVR
- (44R) TV-37" COLOR, STEREO W/REMOTE
- (265) CODES/STANDARDS-CSA/CMVSS
- (1B1) CODES/STANDARDS USA

FIRST USED	
09 A-BODIES	
DO NOT SCALE DRAWING	
TITLE:	
WIRING INSTL-TV/DVD, SIDE	
SHEET 16	PART NO 166268



- 9 CABLE IS PART OF WIRE ASM-IP,MAIN.
- 8 SEE RADIO INSTL FOR ADDITIONAL INFORMATION.
- 7 CONNECT CABLE-RCA TO RADIO 'AUX INPUT' CONNECTION.
- 6 SUPPLIED WITH TV
- 5 CONNECTED TO THE REAR SIDE OF SATELLITE PREP PLATE, CONNECTION LABELED "FROM ROOF SATELLITE DISH".
- 4 SUPPLIED WITH DVD PLAYER.
- 3 CONNECTED TO THE FRONT SIDE OF SATELLITE PREP PLATE, CONNECTION LABELED "TO SATELLITE RECEIVER OUTPUT".
- 2 CABLE ROUTED IN ROOF.
- 1 CONNECTED TO THE REAR SIDE OF SATELLITE PREP PLATE, CONNECTION LABELED "TO SATELLITE RECEIVER OUTPUT".

- 11 SEE WIRING INSTL-TV/DVD,FRONT FOR ADDITIONAL INFORMATION.
- 10 TAPE UNUSED YELLOW CIRCUIT BACK TO CABLE ASM.

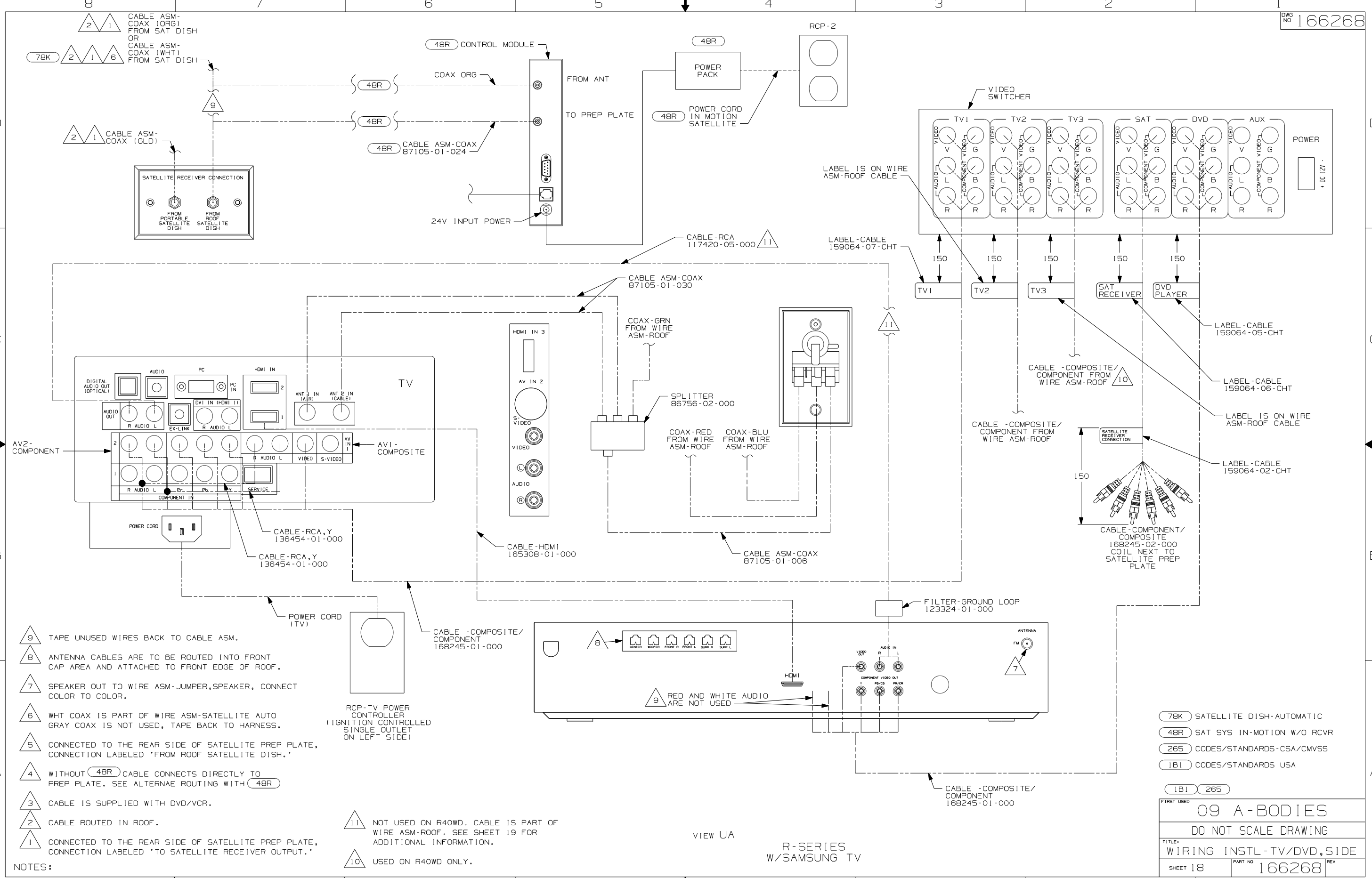
- 1LK TV-19"DC,COLOR,LCD W/REMOTE
- 1H5 TV, FRONT-WITHOUT
- 44R TV-37" COLOR,STEREO W/REMOTE
- 265 CODES/STANDARDS-CSA/CMVSS
- 1B1 CODES/STANDARDS USA

FIRST USED	
09 A-BODIES	
DO NOT SCALE DRAWING	
TITLE:	
WIRING INSTL-TV/DVD,SIDE	
SHEET 17	PART NO 166268 REV

FOR ELECTRICAL TORQUE SPECIFICATIONS SEE DWG NO. 128783-01-000

FOR ELECTRICAL CALLOUTS SEE DWG NO. 121339-01-000

DETAIL TA D31E

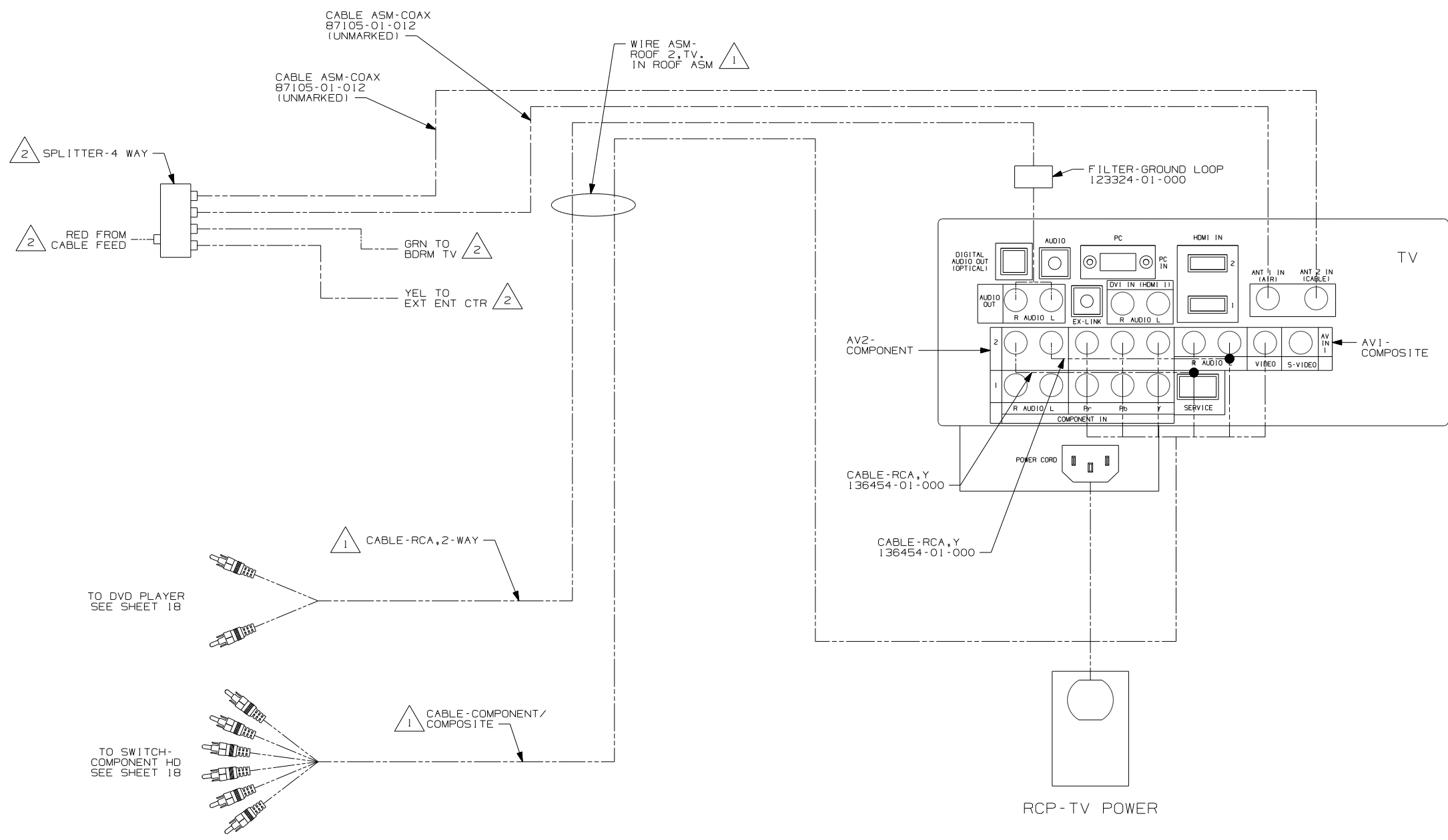


- NOTES:
- 9 TAPE UNUSED WIRES BACK TO CABLE ASM.
 - 8 ANTENNA CABLES ARE TO BE ROUTED INTO FRONT CAP AREA AND ATTACHED TO FRONT EDGE OF ROOF.
 - 7 SPEAKER OUT TO WIRE ASM-JUMPER, SPEAKER, CONNECT COLOR TO COLOR.
 - 6 WHT COAX IS PART OF WIRE ASM-SATELLITE AUTO GRAY COAX IS NOT USED, TAPE BACK TO HARNESS.
 - 5 CONNECTED TO THE REAR SIDE OF SATELLITE PREP PLATE, CONNECTION LABELED 'FROM ROOF SATELLITE DISH.'
 - 4 WITHOUT (48R) CABLE CONNECTS DIRECTLY TO PREP PLATE. SEE ALTERNAE ROUTING WITH (48R)
 - 3 CABLE IS SUPPLIED WITH DVD/VCR.
 - 2 CABLE ROUTED IN ROOF.
 - 1 CONNECTED TO THE REAR SIDE OF SATELLITE PREP PLATE, CONNECTION LABELED 'TO SATELLITE RECEIVER OUTPUT.'

- 11 NOT USED ON R40WD. CABLE IS PART OF WIRE ASM-ROOF. SEE SHEET 19 FOR ADDITIONAL INFORMATION.
- 10 USED ON R40WD ONLY.

(78K)	SATELLITE DISH-AUTOMATIC
(48R)	SAT SYS IN-MOTION W/O RCVR
(265)	CODES/STANDARDS-CSA/CMVSS
(1B1)	CODES/STANDARDS USA
(1B1)	(265)
FIRST USED	
09 A-BODIES	
DO NOT SCALE DRAWING	
TITLE:	
WIRING INSTL-TV/DVD, SIDE	
SHEET 18	PART NO 166268 REV

VIEW UA
R-SERIES W/SAMSUNG TV



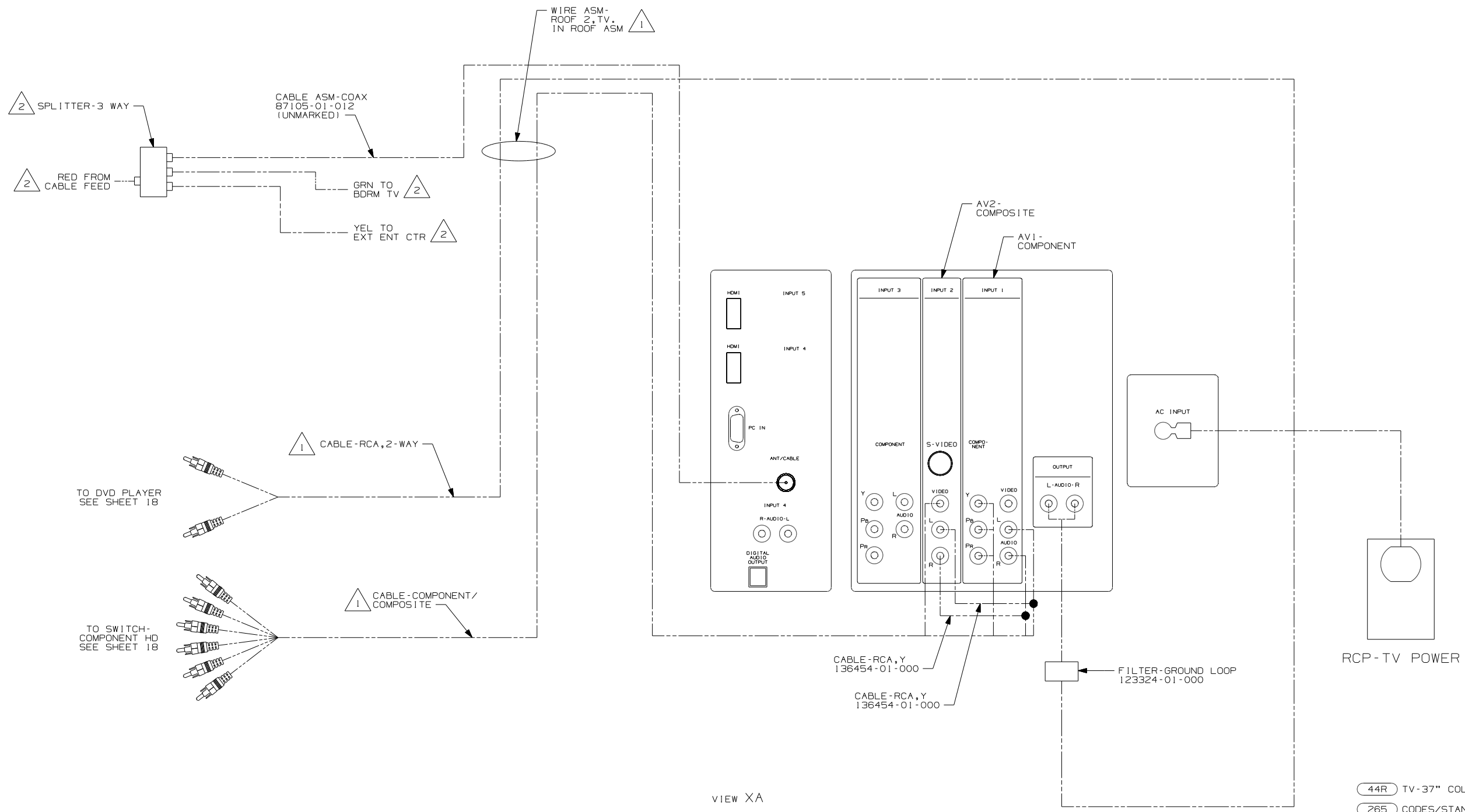
VIEW VA

R40WD WITH 37" SAMSUNG OR SHARP TV

- 2 SEE WIRING INSTL-BODY, 12V FOR ADDITIONAL INFORMATION.
- 1 CABLE ROUTED IN ROOF

- 44R TV-37" COLOR, STEREO W/REMOTE
- 265 CODES/STANDARDS-CSA/CMVSS
- 1B1 CODES/STANDARDS USA

1B1 265 44R	
FIRST USED	
09 A-BODIES	
DO NOT SCALE DRAWING	
TITLE:	
WIRING INSTL-TV/DVD, SIDE	
SHEET 19	PART NO 166268 REV



VIEW XA

S40WD WITH 37" SHARP

- 44R TV-37" COLOR, STEREO W/REMOTE
- 265 CODES/STANDARDS-CSA/CMVSS
- 1B1 CODES/STANDARDS USA

1B1 265 44R

FIRST USED		
09 A-BODIES		
DO NOT SCALE DRAWING		
TITLE:		
WIRING INSTL-TV/DVD, SIDE		
SHEET 20	PART NO	REV
	166268	

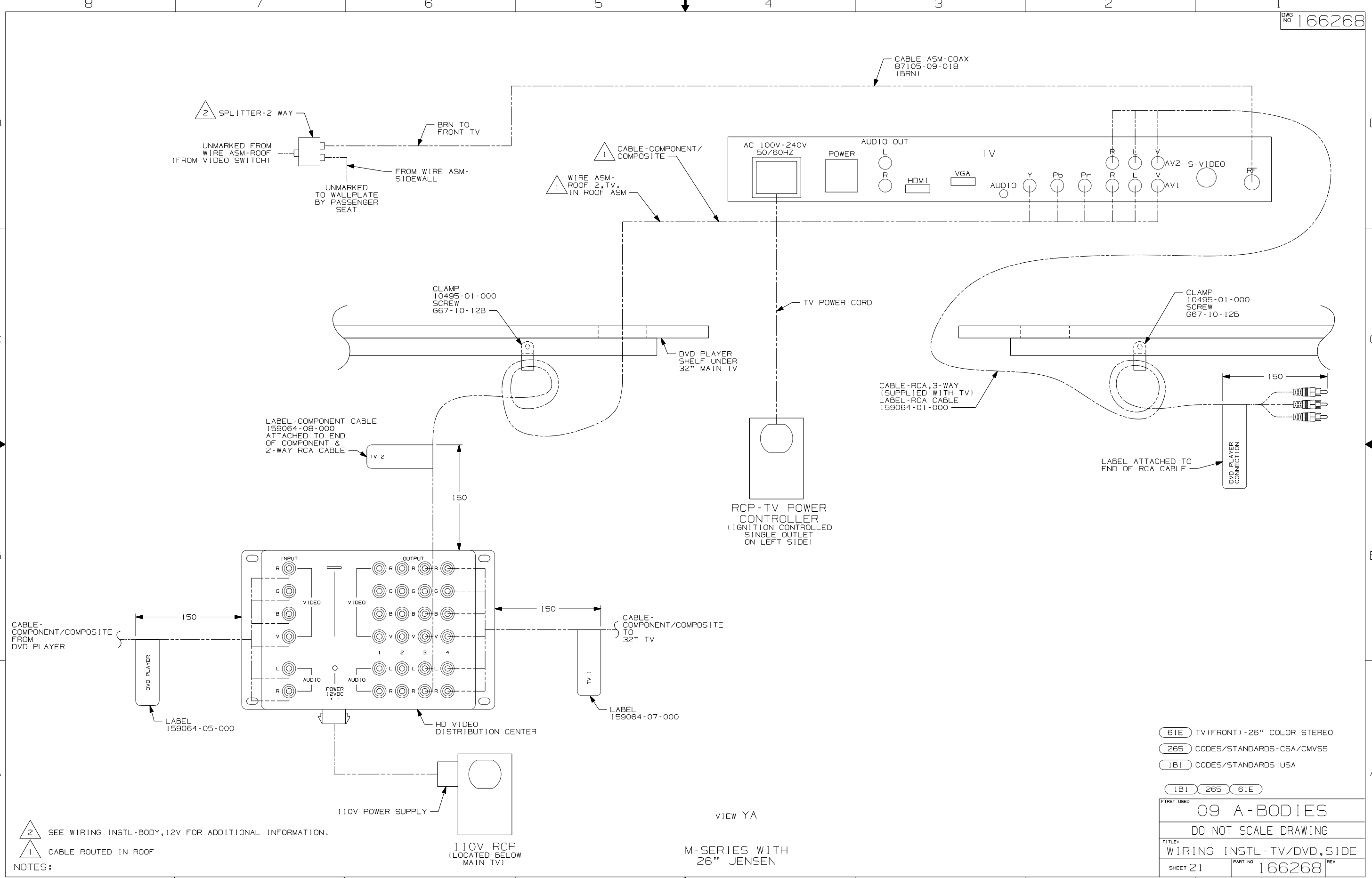
FOR ELECTRICAL TORQUE SPECIFICATIONS SEE DWG NO. 128783-01-000

FOR ELECTRICAL CALLOUTS SEE DWG NO. 121339-01-000

2 SEE WIRING INSTL-BODY, 12V FOR ADDITIONAL INFORMATION.

1 CABLE ROUTED IN ROOF

NOTES:



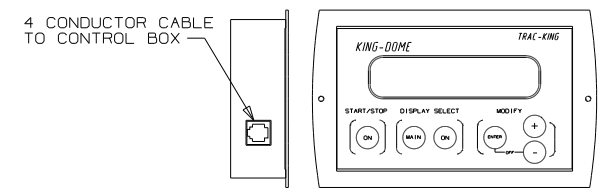
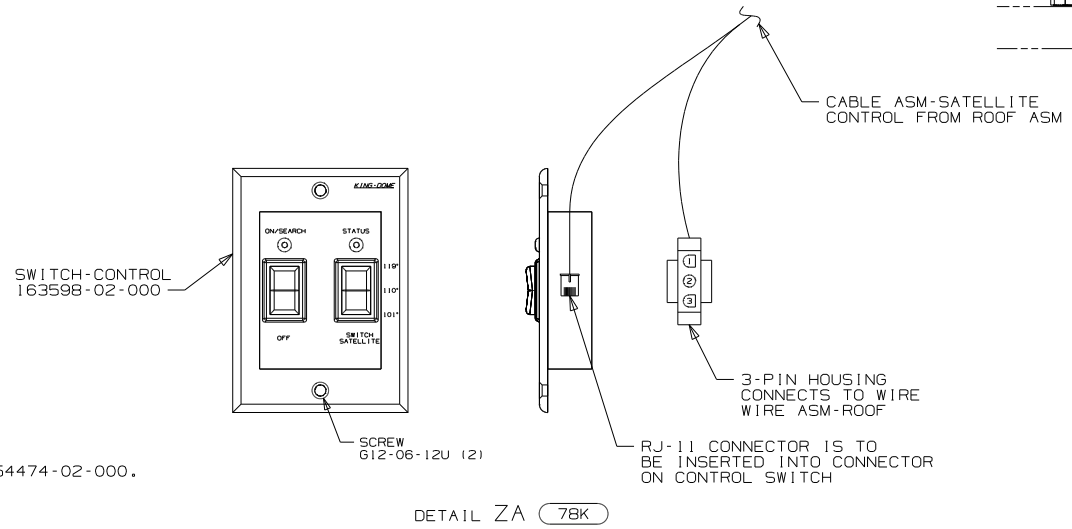
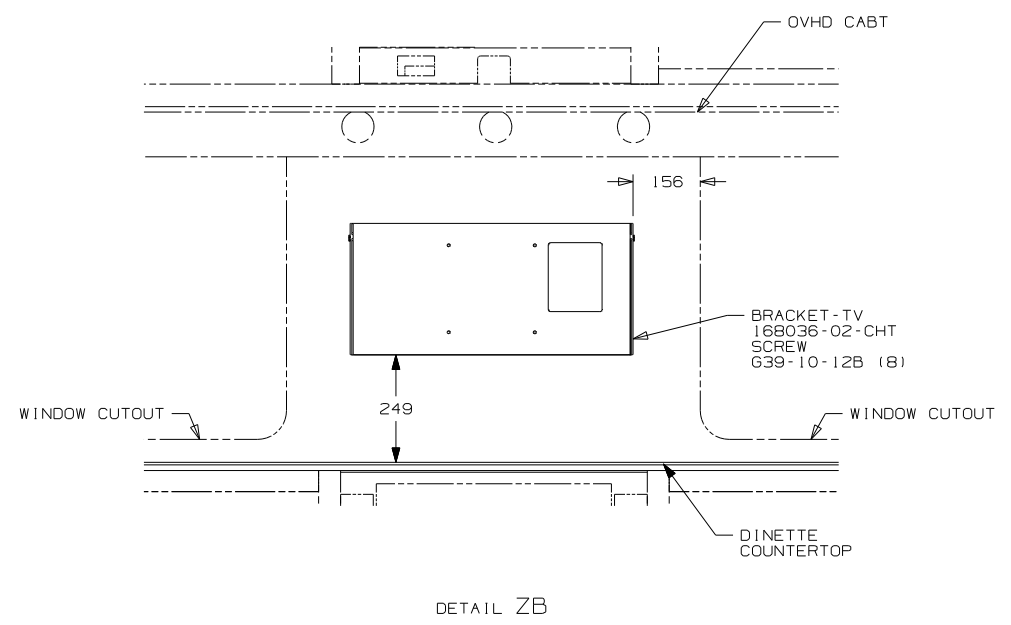
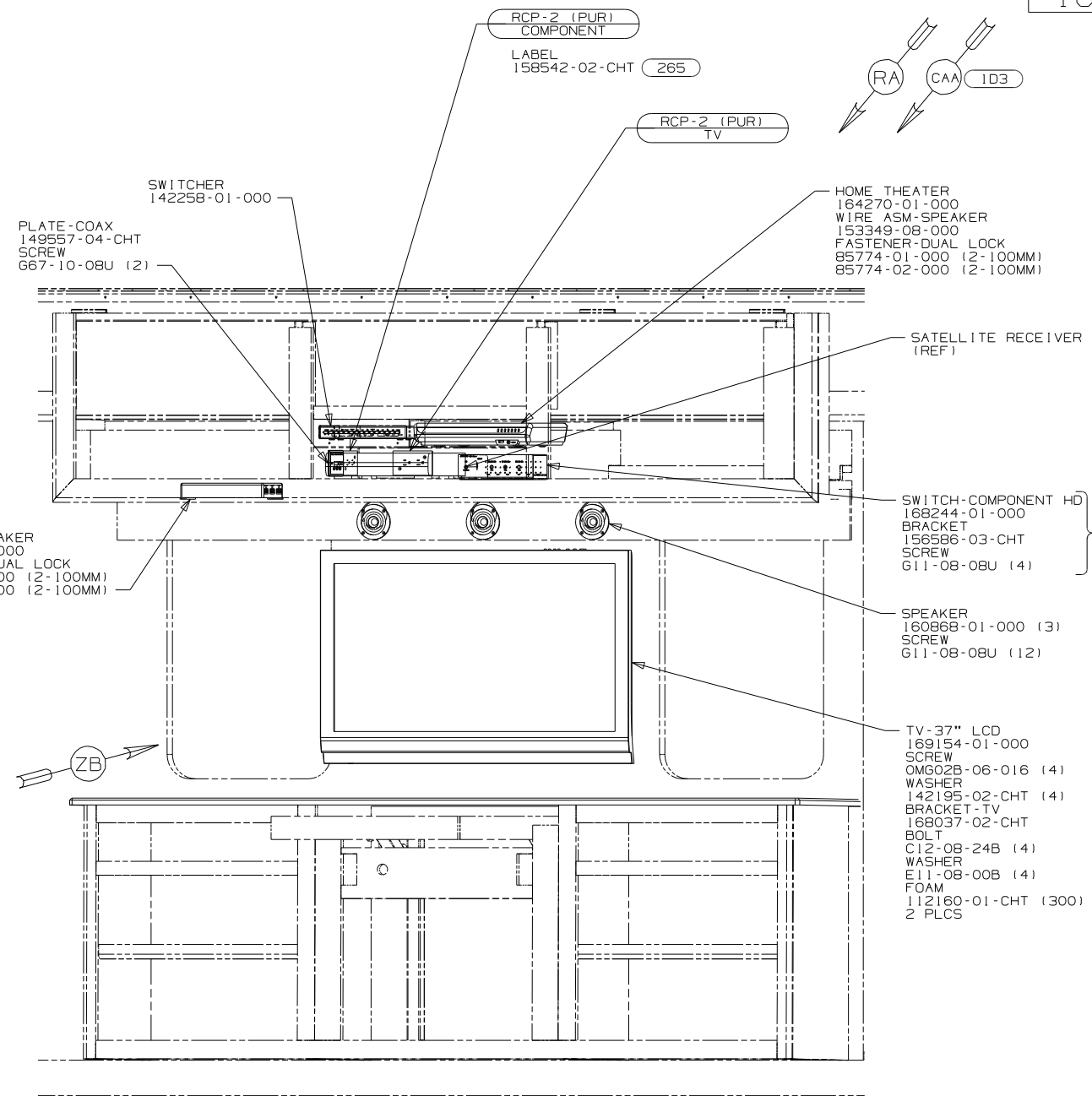
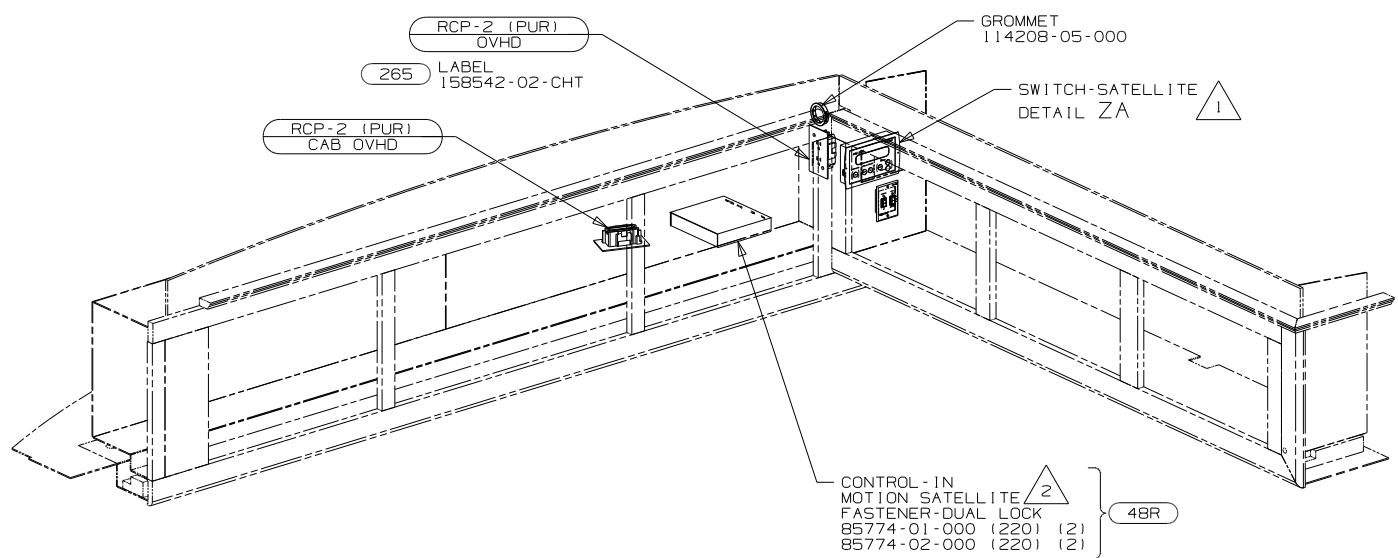
NOTES:

- 2 SEE WIRING INSTL-BODY, 12V FOR ADDITIONAL INFORMATION.
- 1 CABLE ROUTED IN ROOF

61E TV (FRONT) - 26" COLOR STEREO
 265 CODES/STANDARDS - CSA/CMVSS
 1B1 CODES/STANDARDS USA

FIRST USED		
09 A-BODIES		
DO NOT SCALE DRAWING		
TITLE:		
WIRING INSTL-TV/DVD, SIDE		
SHEET 21	PART NO	REV
	166268	

VIEW YA
 M-SERIES WITH 26" JENSEN

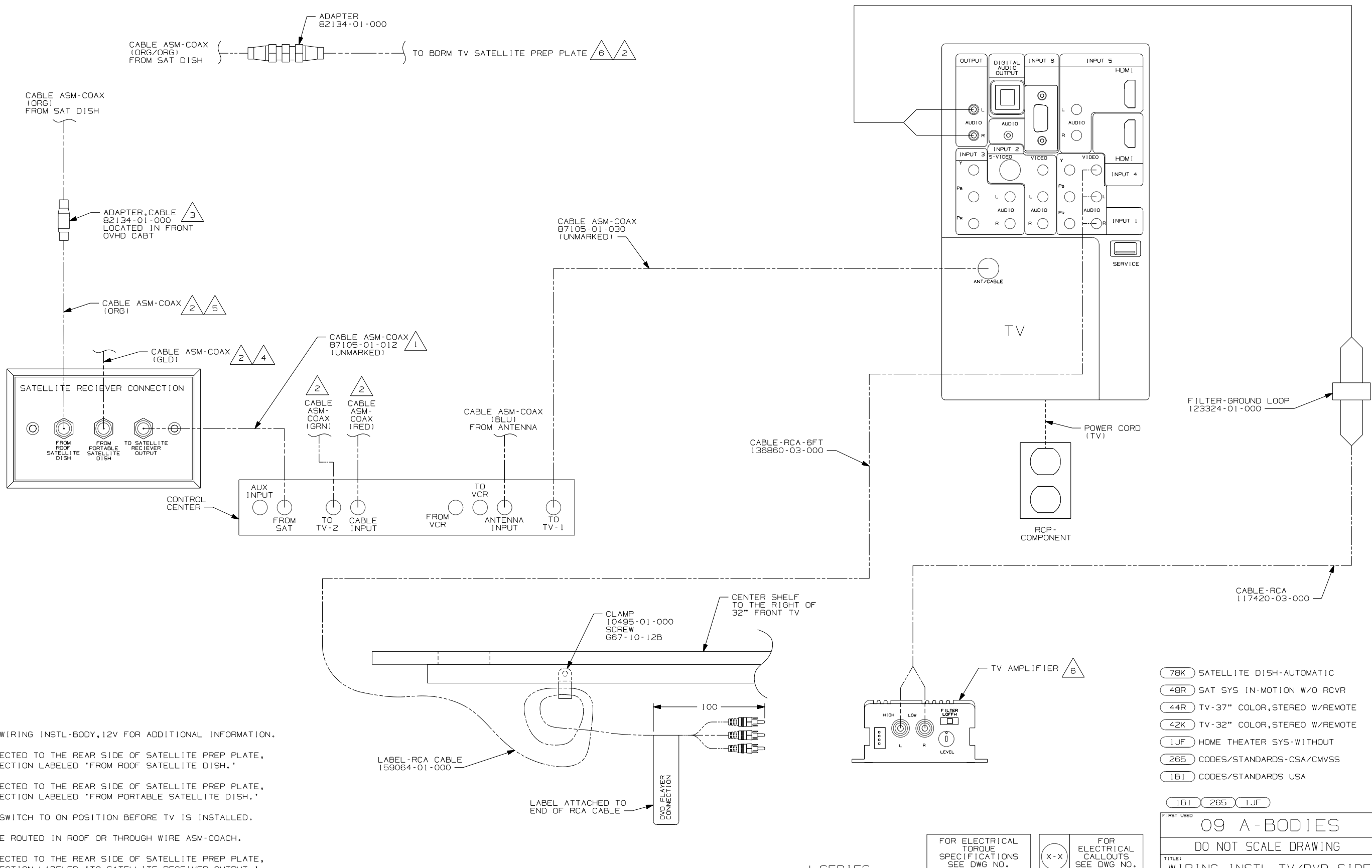


- ID3 ENTERTAIN CENTR/EXT TV-DVD
- 78K SATELLITE TV SYSTEM AUTO
- 48R SAT TV SYSTEM IN-MOTION
- 265 CODES/STANDARDS-CSA/CMVSS
- 1B1 CODES/STANDARDS USA

NOTES:
 2 PARTS ARE SUPPLIED WITH SATELLITE KIT 154474-02-000.
 1 SEE ROOF ASM FOR ADDITIONAL INFORMATION.

FOR ELECTRICAL TORQUE SPECIFICATIONS SEE DWG NO. 128783-01-000
 X-X FOR ELECTRICAL CALLOUTS SEE DWG NO. 121339-01-000

FIRST USED		P34Y	
09 A-BODIES			
DO NOT SCALE DRAWING			
TITLE: WIRING INSTL-TV/DVD, SIDE			
SHEET 22	PART NO	166268	REV



- NOTES:
- △6 SEE WIRING INSTL-BODY, 12V FOR ADDITIONAL INFORMATION.
 - △5 CONNECTED TO THE REAR SIDE OF SATELLITE PREP PLATE, CONNECTION LABELED 'FROM ROOF SATELLITE DISH.'
 - △4 CONNECTED TO THE REAR SIDE OF SATELLITE PREP PLATE, CONNECTION LABELED 'FROM PORTABLE SATELLITE DISH.'
 - △3 SET SWITCH TO ON POSITION BEFORE TV IS INSTALLED.
 - △2 CABLE ROUTED IN ROOF OR THROUGH WIRE ASM-COACH.
 - △1 CONNECTED TO THE REAR SIDE OF SATELLITE PREP PLATE, CONNECTION LABELED 'TO SATELLITE RECEIVER OUTPUT.'

- 78K SATELLITE DISH-AUTOMATIC
- 48R SAT SYS IN-MOTION W/O RCVR
- 44R TV-37" COLOR, STEREO W/REMOTE
- 42K TV-32" COLOR, STEREO W/REMOTE
- 1JF HOME THEATER SYS-WITHOUT
- 265 CODES/STANDARDS-CSA/CMVSS
- 1B1 CODES/STANDARDS USA

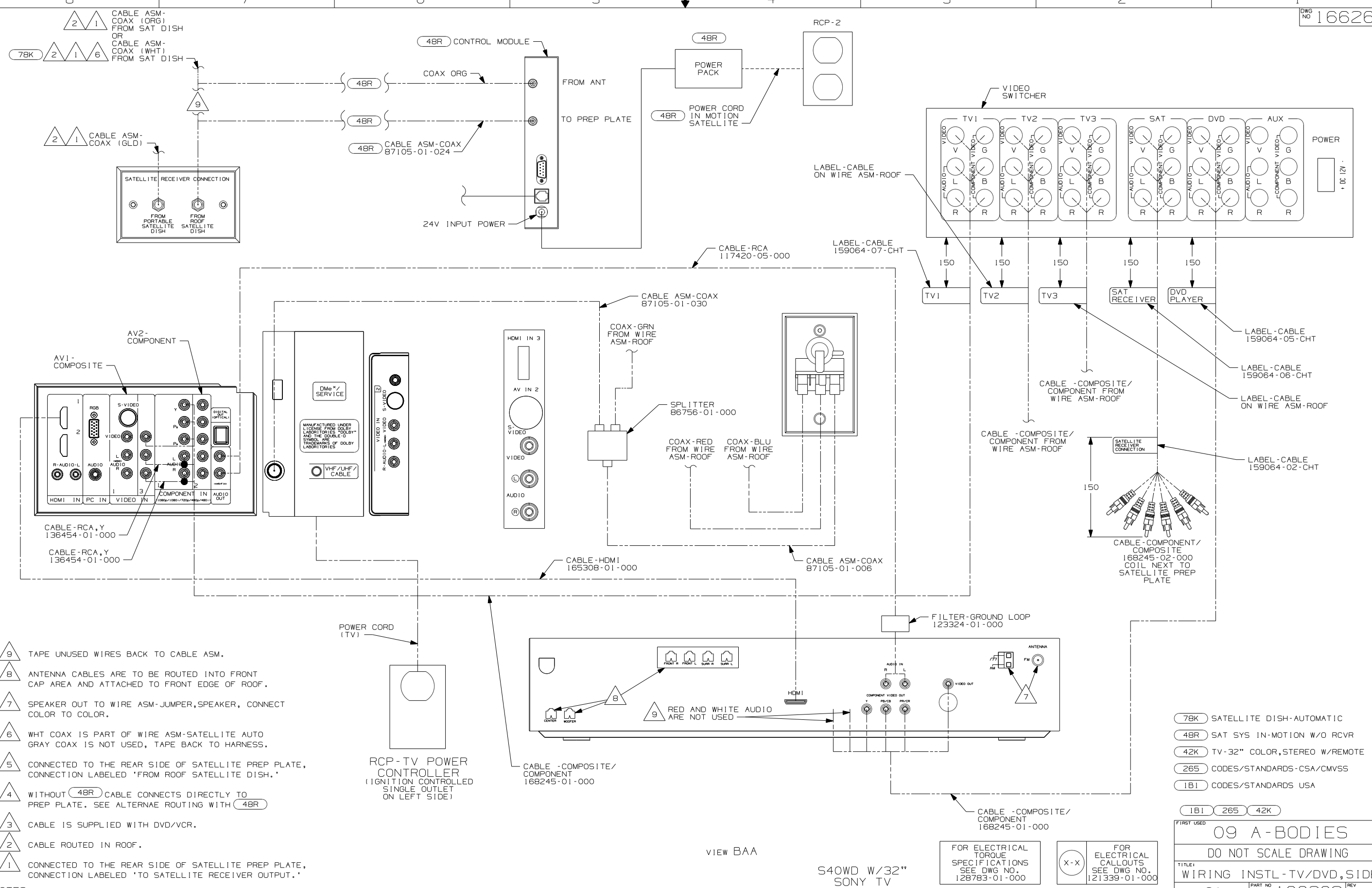
FIRST USED	09 A-BODIES	
DO NOT SCALE DRAWING		
TITLE:	WIRING INSTL-TV/DVD, SIDE	
SHEET 23	PART NO	166268
REV		

FOR ELECTRICAL TORQUE SPECIFICATIONS SEE DWG NO. 128783-01-000

FOR ELECTRICAL CALLOUTS SEE DWG NO. 121339-01-000

J-SERIES W/O DVD PLAYER

VIEW AAA



- NOTES:
- 9 TAPE UNUSED WIRES BACK TO CABLE ASM.
 - 8 ANTENNA CABLES ARE TO BE ROUTED INTO FRONT CAP AREA AND ATTACHED TO FRONT EDGE OF ROOF.
 - 7 SPEAKER OUT TO WIRE ASM-JUMPER, SPEAKER, CONNECT COLOR TO COLOR.
 - 6 WHT COAX IS PART OF WIRE ASM-SATELLITE AUTO GRAY COAX IS NOT USED, TAPE BACK TO HARNESS.
 - 5 CONNECTED TO THE REAR SIDE OF SATELLITE PREP PLATE, CONNECTION LABELED 'FROM ROOF SATELLITE DISH.'
 - 4 WITHOUT (48R) CABLE CONNECTS DIRECTLY TO PREP PLATE. SEE ALTERNAE ROUTING WITH (48R)
 - 3 CABLE IS SUPPLIED WITH DVD/VCR.
 - 2 CABLE ROUTED IN ROOF.
 - 1 CONNECTED TO THE REAR SIDE OF SATELLITE PREP PLATE, CONNECTION LABELED 'TO SATELLITE RECEIVER OUTPUT.'

- (78K) SATELLITE DISH-AUTOMATIC
- (48R) SAT SYS IN-MOTION W/O RCVR
- (42K) TV-32" COLOR, STEREO W/REMOTE
- (265) CODES/STANDARDS-CSA/CMVSS
- (1B1) CODES/STANDARDS USA

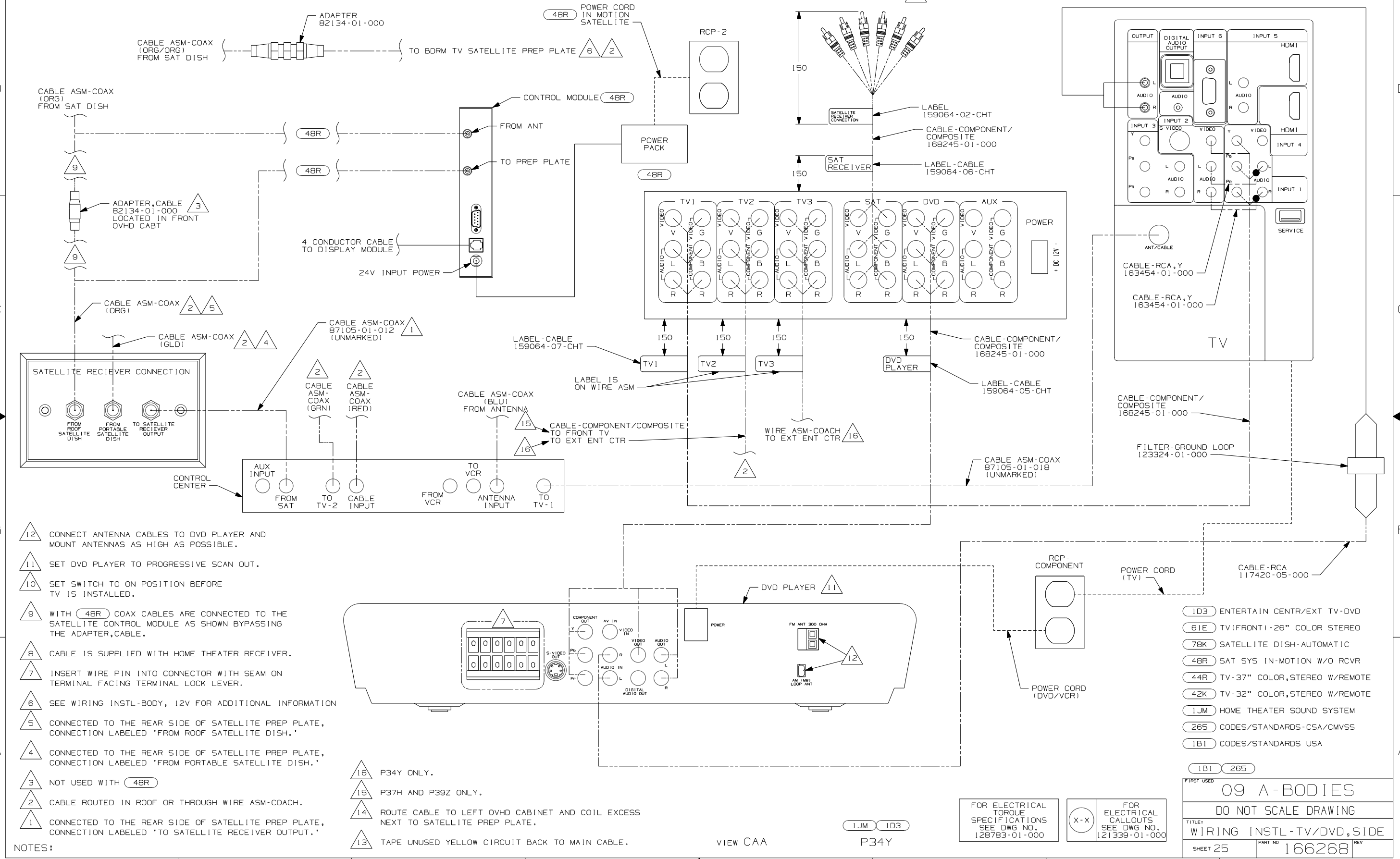
FIRST USED	09 A-BODIES
DO NOT SCALE DRAWING	
TITLE: WIRING INSTL-TV/DVD, SIDE	
SHEET 24	PART NO 166268 REV

FOR ELECTRICAL TORQUE SPECIFICATIONS SEE DWG NO. 128783-01-000

(X-X) FOR ELECTRICAL CALLOUTS SEE DWG NO. 121339-01-000

VIEW BAA

S40WD W/32" SONY TV



- NOTES:
- △12 CONNECT ANTENNA CABLES TO DVD PLAYER AND MOUNT ANTENNAS AS HIGH AS POSSIBLE.
 - △11 SET DVD PLAYER TO PROGRESSIVE SCAN OUT.
 - △10 SET SWITCH TO ON POSITION BEFORE TV IS INSTALLED.
 - △9 WITH (48R) COAX CABLES ARE CONNECTED TO THE SATELLITE CONTROL MODULE AS SHOWN BYPASSING THE ADAPTER, CABLE.
 - △8 CABLE IS SUPPLIED WITH HOME THEATER RECEIVER.
 - △7 INSERT WIRE PIN INTO CONNECTOR WITH SEAM ON TERMINAL FACING TERMINAL LOCK LEVER.
 - △6 SEE WIRING INSTL-BODY, 12V FOR ADDITIONAL INFORMATION
 - △5 CONNECTED TO THE REAR SIDE OF SATELLITE PREP PLATE, CONNECTION LABELED 'FROM ROOF SATELLITE DISH.'
 - △4 CONNECTED TO THE REAR SIDE OF SATELLITE PREP PLATE, CONNECTION LABELED 'FROM PORTABLE SATELLITE DISH.'
 - △3 NOT USED WITH (48R)
 - △2 CABLE ROUTED IN ROOF OR THROUGH WIRE ASM-COACH.
 - △1 CONNECTED TO THE REAR SIDE OF SATELLITE PREP PLATE, CONNECTION LABELED 'TO SATELLITE RECEIVER OUTPUT.'

- △16 P34Y ONLY.
- △15 P37H AND P39Z ONLY.
- △14 ROUTE CABLE TO LEFT OVHD CABINET AND COIL EXCESS NEXT TO SATELLITE PREP PLATE.
- △13 TAPE UNUSED YELLOW CIRCUIT BACK TO MAIN CABLE.

- (1D3) ENTERTAIN CENTR/EXT TV-DVD
- (61E) TV(FRONT)-26" COLOR STEREO
- (78K) SATELLITE DISH-AUTOMATIC
- (48R) SAT SYS IN-MOTION W/O RCVR
- (44R) TV-37" COLOR, STEREO W/REMOTE
- (42K) TV-32" COLOR, STEREO W/REMOTE
- (1JM) HOME THEATER SOUND SYSTEM
- (265) CODES/STANDARDS-CSA/CMVSS
- (1B1) CODES/STANDARDS USA

FOR ELECTRICAL TORQUE SPECIFICATIONS SEE DWG NO. 128783-01-000

(X-X) FOR ELECTRICAL CALLOUTS SEE DWG NO. 121339-01-000

FIRST USED

09 A-BODIES

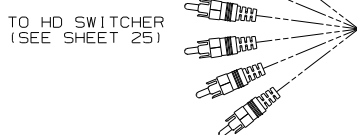
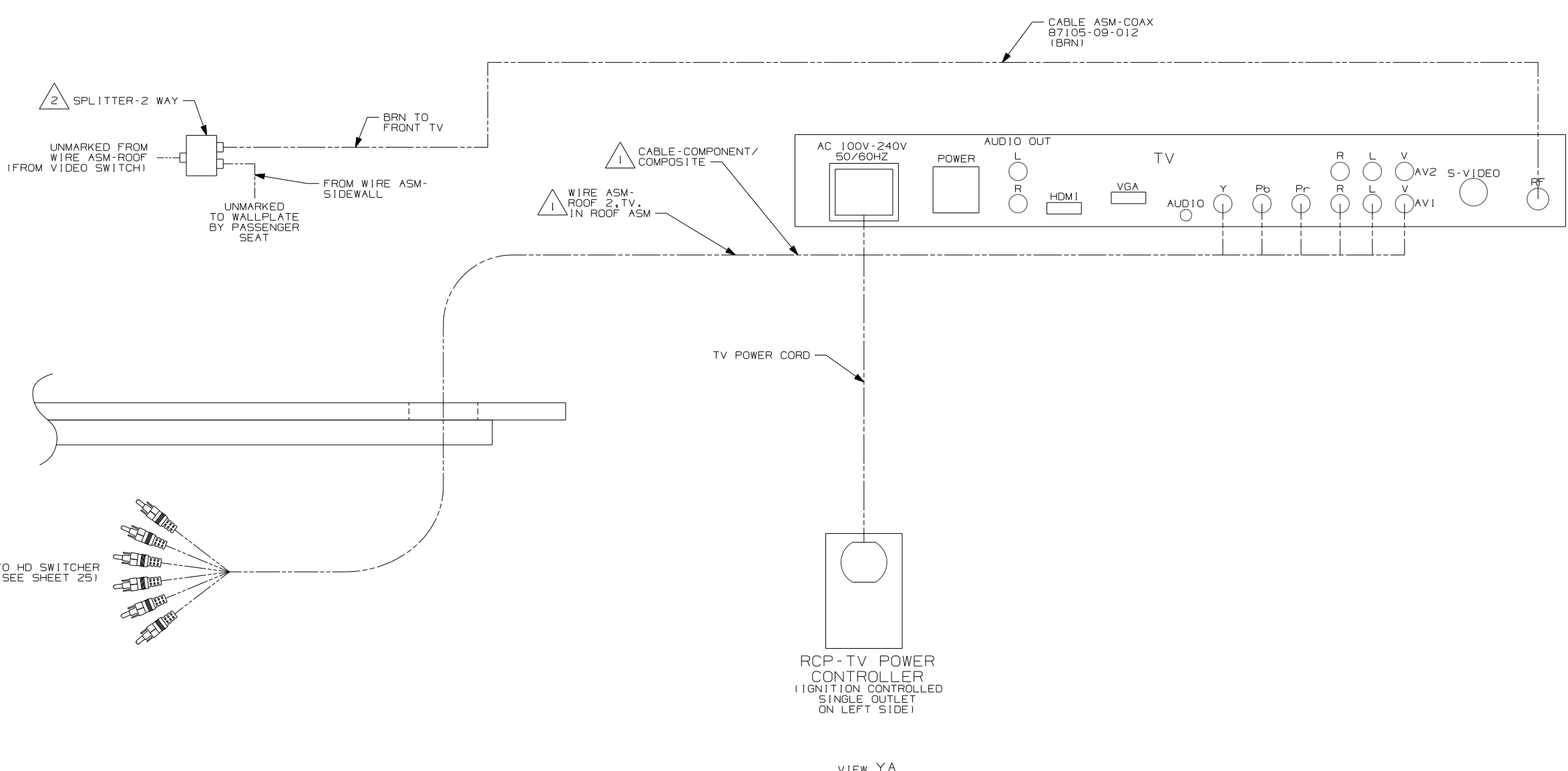
DO NOT SCALE DRAWING

TITLE: **WIRING INSTL-TV/DVD, SIDE**

SHEET 25 PART NO 166268 REV

1 5/1/2009

VIEW CAA P34Y



- NOTES:
- 2 SEE WIRING INSTL-BODY, 12V FOR ADDITIONAL INFORMATION.
 - 1 CABLE ROUTED IN ROOF

- 61E TV (FRONT) - 26" COLOR STEREO
- 265 CODES/STANDARDS - CSA/CMVSS
- 1B1 CODES/STANDARDS USA

FIRST USED	
09 A-BODIES	
DO NOT SCALE DRAWING	
TITLE:	
WIRING INSTL-TV/DVD, SIDE	
SHEET 26	PART NO 166268 REV

P-SERIES WITH
26" JENSEN

VIEW YA

RCP-TV POWER
CONTROLLER
(IGNITION CONTROLLED
SINGLE OUTLET
ON LEFT SIDE)

TV POWER CORD

1 CABLE-COMPONENT/
COMPOSITE

1 WIRE ASM-
ROOF 2, TV,
IN ROOF ASM

2 SPLITTER-2 WAY

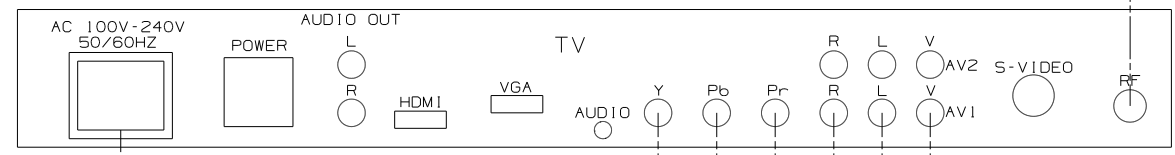
UNMARKED FROM
WIRE ASM-ROOF
(FROM VIDEO SWITCH)

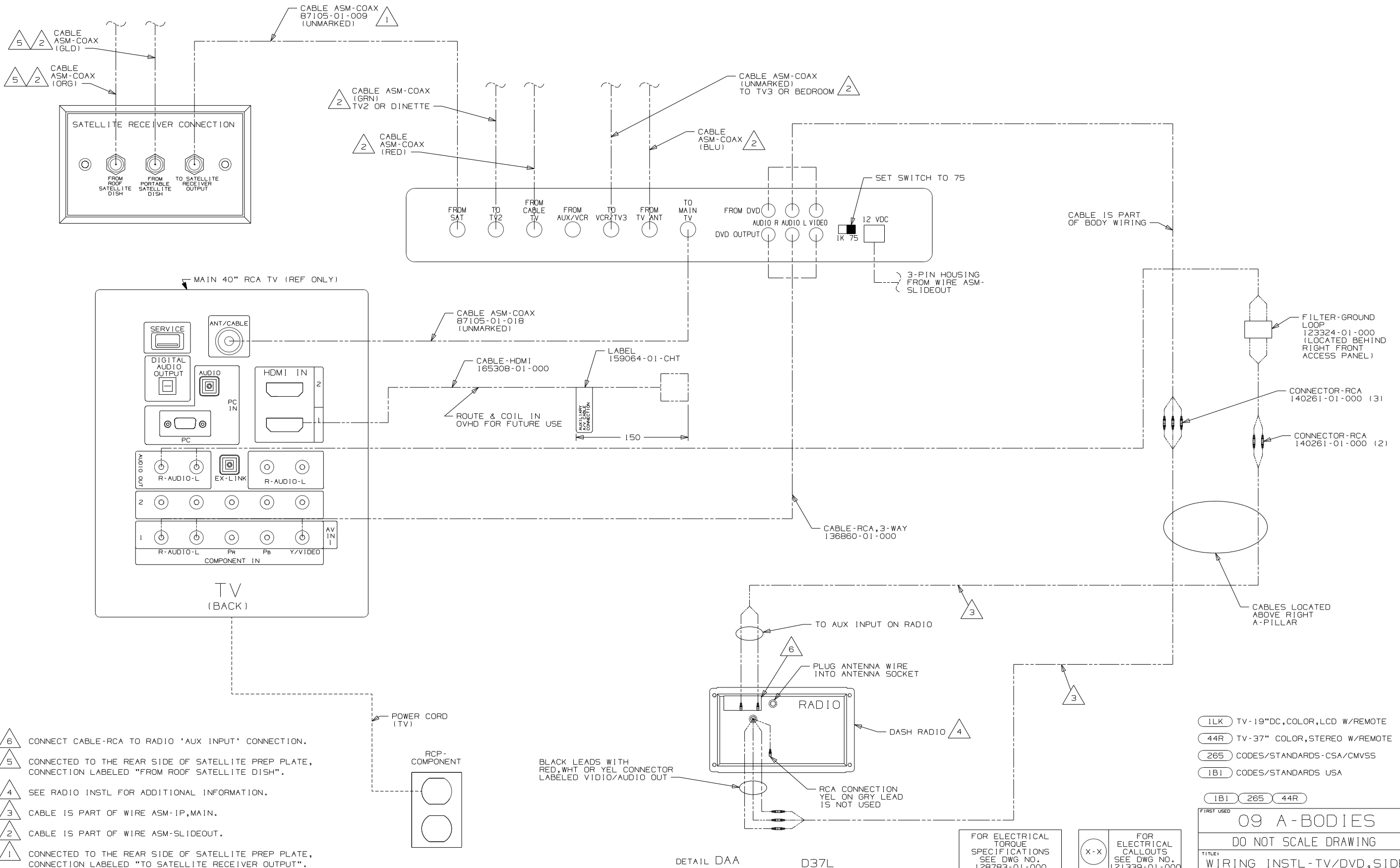
UNMARKED
TO WALLPLATE
BY PASSENGER
SEAT

FROM WIRE ASM-
SIDEWALL

BRN TO
FRONT TV

CABLE ASM-COAX
87105-09-012
(BRN)





- NOTES:
- 6 CONNECT CABLE-RCA TO RADIO 'AUX INPUT' CONNECTION.
 - 5 CONNECTED TO THE REAR SIDE OF SATELLITE PREP PLATE, CONNECTION LABELED "FROM ROOF SATELLITE DISH".
 - 4 SEE RADIO INSTL FOR ADDITIONAL INFORMATION.
 - 3 CABLE IS PART OF WIRE ASM-IP,MAIN.
 - 2 CABLE IS PART OF WIRE ASM-SLIDEOUT.
 - 1 CONNECTED TO THE REAR SIDE OF SATELLITE PREP PLATE, CONNECTION LABELED "TO SATELLITE RECEIVER OUTPUT".

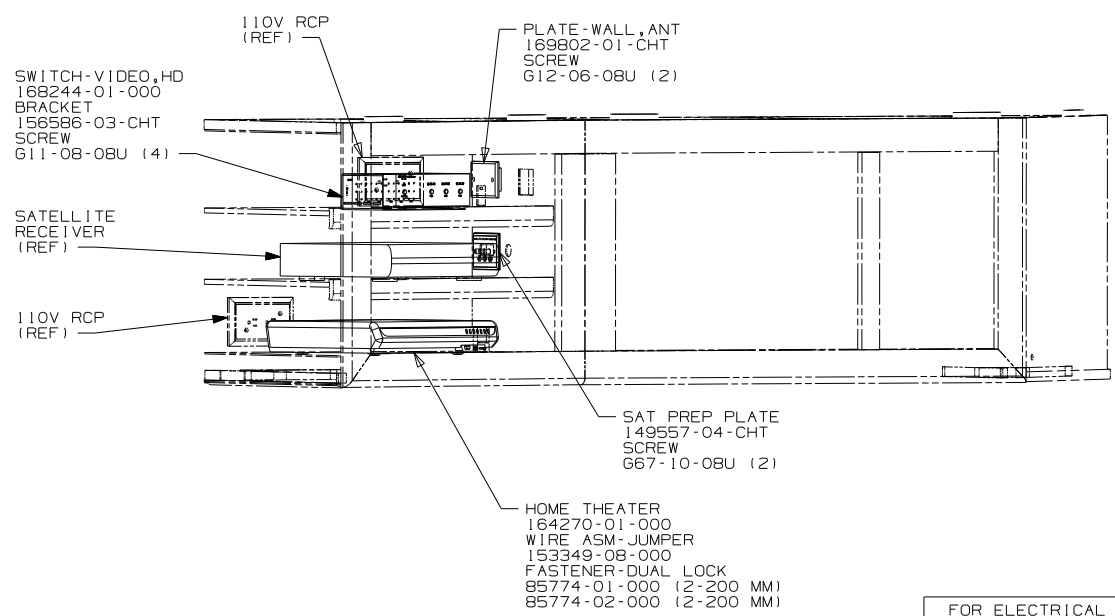
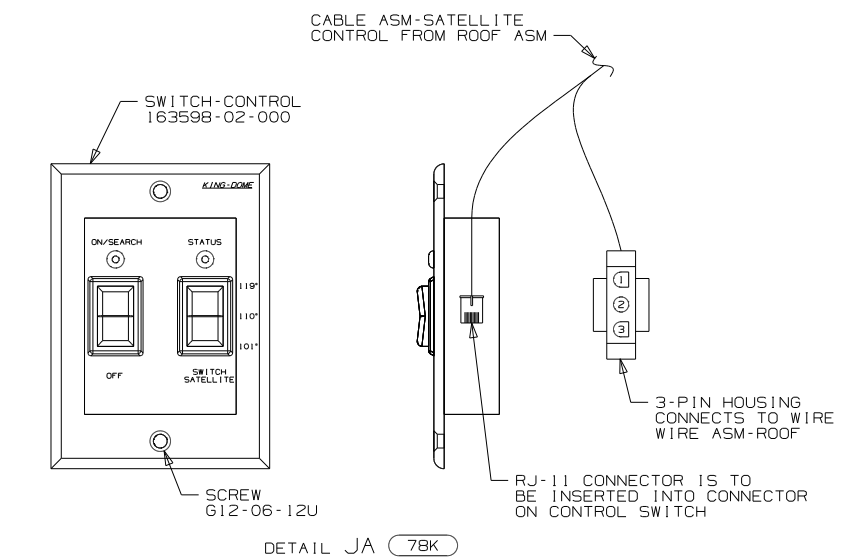
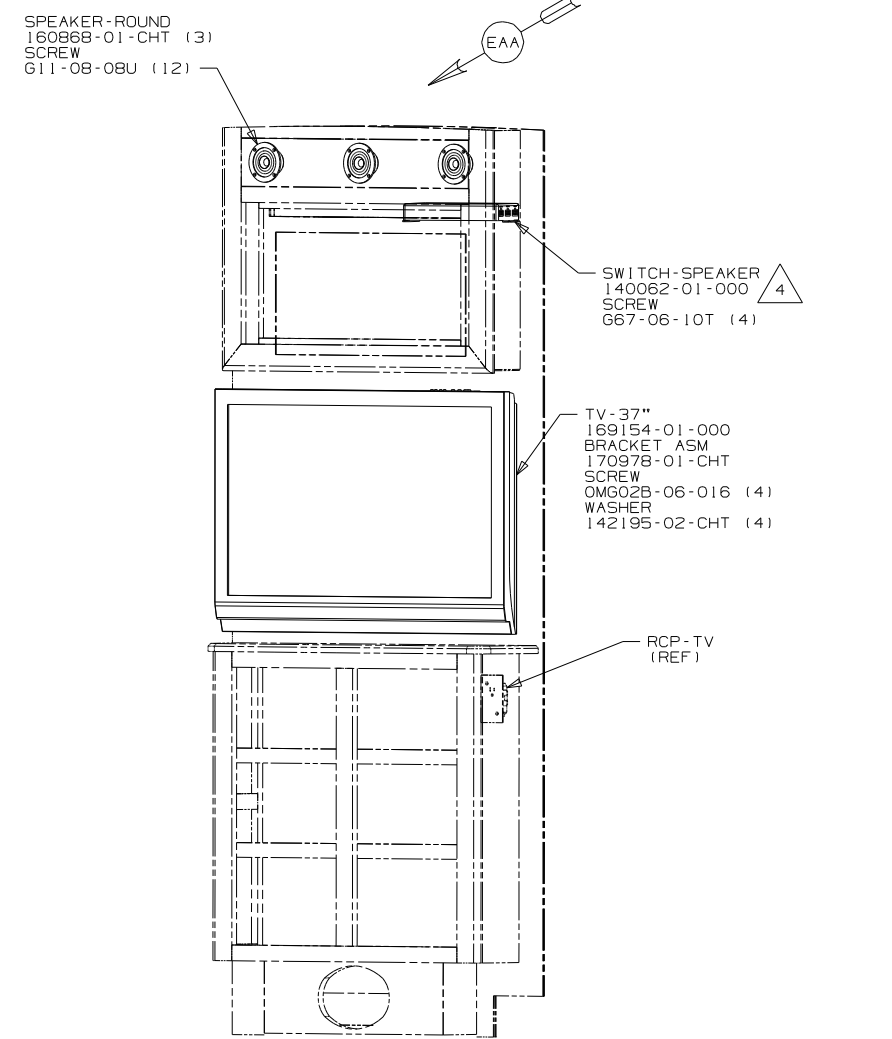
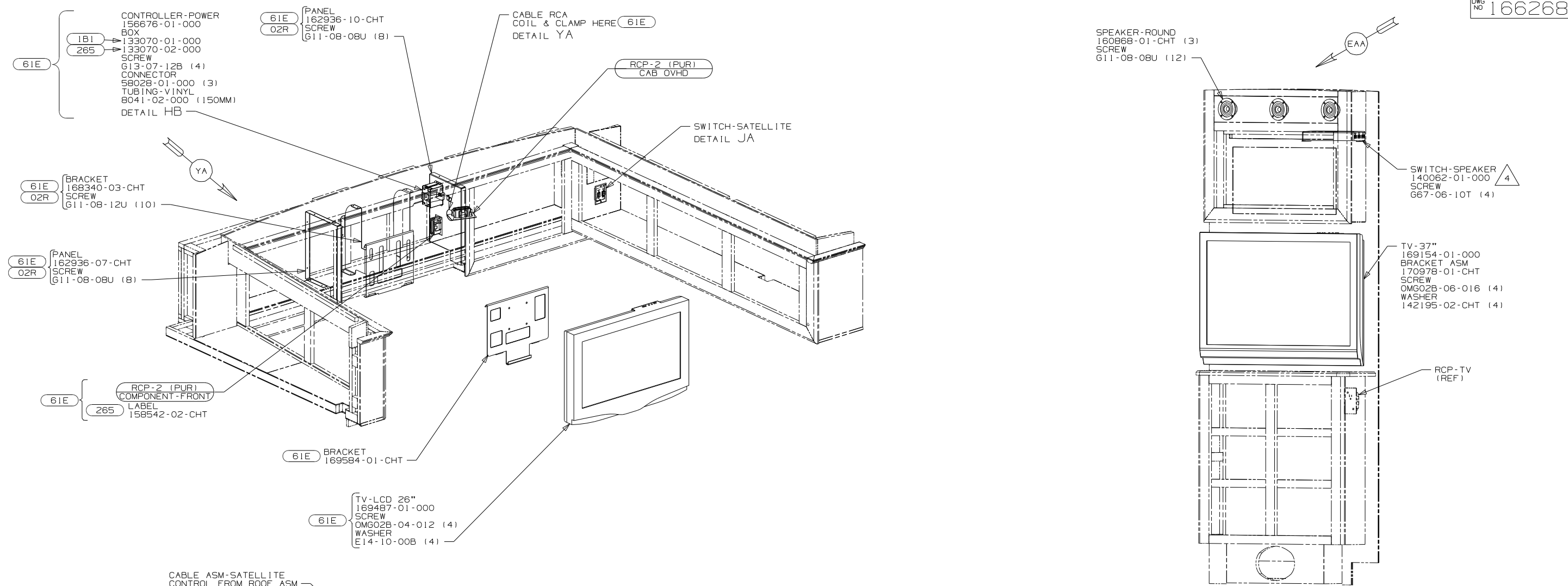
- 1LK TV-19"DC,COLOR,LCD W/REMOTE
- 44R TV-37" COLOR,STEREO W/REMOTE
- 265 CODES/STANDARDS-CSA/CMVSS
- 1B1 CODES/STANDARDS USA

FIRST USED	
09 A-BODIES	
DO NOT SCALE DRAWING	
TITLE:	
WIRING INSTL-TV/DVD,SIDE	
SHEET 27	PART NO 166268 REV

FOR ELECTRICAL TORQUE SPECIFICATIONS SEE DWG NO. 128783-01-000

FOR ELECTRICAL CALLOUTS SEE DWG NO. 121339-01-000

DETAIL DAA D37L



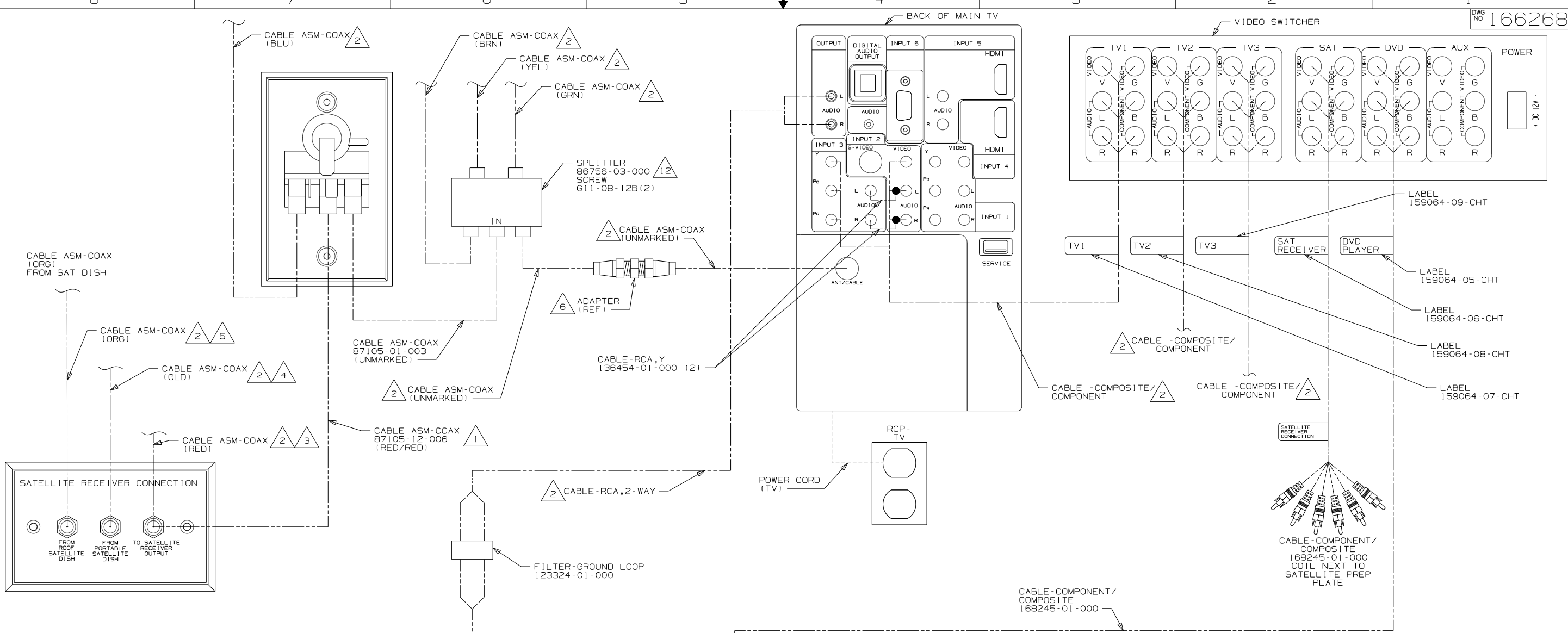
- NOTES:
- 4 MOUNT TO TOP OF MEDICINE CABINET BEHIND MAKEUP LIGHT
 - 3 WITHOUT 61E
 - 2 PARTS ARE SUPPLIED WITH SATELLITE KIT 154474-02-000.
 - 1 SEE ROOF ASM FOR ADDITIONAL INFORMATION.

FOR ELECTRICAL TORQUE SPECIFICATIONS SEE DWG NO. 128783-01-000

X-X FOR ELECTRICAL CALLOUTS SEE DWG NO. 121339-01-000

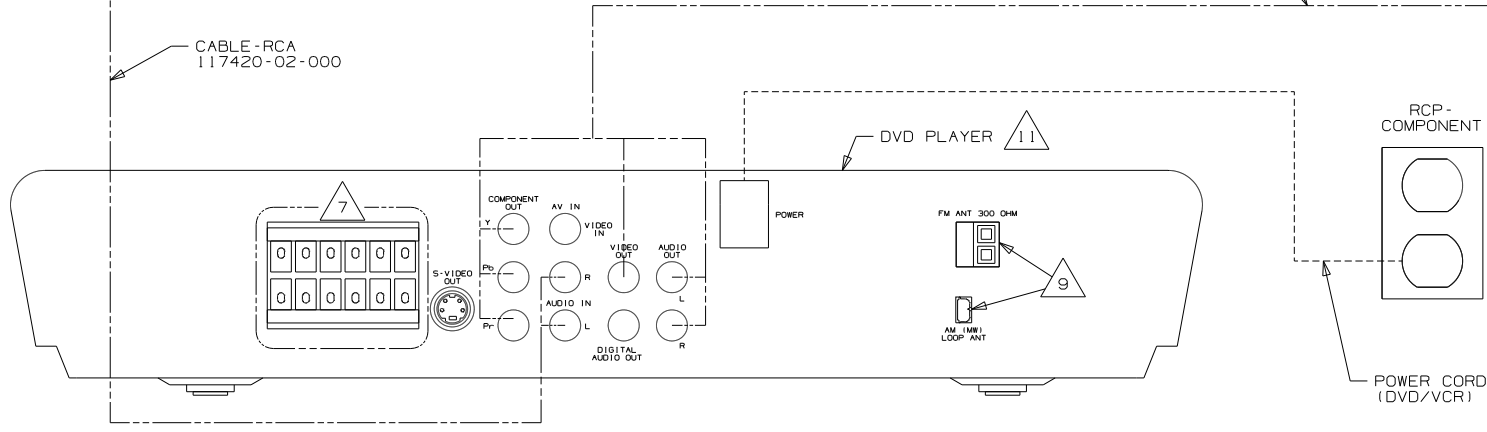
- 61E TV(FRONT)-26" COLOR STEREO
- 78K SATELLITE TV SYSTEM AUTO
- 44R TV-37" COLOR, STEREO W/REMOTE
- 1JM HOME THEATER SOUND SYSTEM
- 79H ENTERTAINMENT CTR-INTERIOR
- 265 CODES/STANDARDS-CSA/CMVSS
- 1B1 CODES/STANDARDS USA

FIRST USED	
09 A-BODIES	
DO NOT SCALE DRAWING	
TITLE: WIRING INSTL-TV/DVD, SIDE	
SHEET 28	PART NO 166268



- 12 LOCATED IN LOUNGE OVHD BEHIND DVD PLAYER.
- 11 SET DVD PLAYER TO PROGRESSIVE SCAN OUT.
- 10 SET SWITCH TO ON POSITION BEFORE TV IS INSTALLED.
- 9 CONNECT ANTENNA CABLES TO DVD PLAYER AND MOUNT ANTENNAS AS HIGH AS POSSIBLE.
- 8 CABLE IS SUPPLIED WITH HOME THEATER RECEIVER.
- 7 INSERT WIRE PIN INTO CONNECTOR WITH SEAM ON TERMINAL FACING TERMINAL LOCK LEVER.
- 6 SEE WIRING INSTL-BODY, 12V FOR ADDITIONAL INFORMATION
- 5 CONNECTED TO THE REAR SIDE OF SATELLITE PREP PLATE, CONNECTION LABELED 'FROM ROOF SATELLITE DISH.'
- 4 CONNECTED TO THE REAR SIDE OF SATELLITE PREP PLATE, CONNECTION LABELED 'FROM PORTABLE SATELLITE DISH.'
- 3 CONNECTED TO FRONT SIDE OF SATELLITE PREP PLATE, CONNECTION LABELED "TO SATELLITE RECEIVER OUTPUT".
- 2 CABLE ROUTED IN ROOF, SIDEWALL, OR WIRE ASM-COACH.
- 1 CONNECTED TO THE REAR SIDE OF SATELLITE PREP PLATE, CONNECTION LABELED 'TO SATELLITE RECEIVER OUTPUT.'

NOTES:



VIEW EEA (1JM)
M39N

FOR ELECTRICAL TORQUE SPECIFICATIONS SEE DWG NO. 128783-01-000

FOR ELECTRICAL CALLOUTS SEE DWG NO. 121339-01-000

- 61E TV (FRONT) - 26" COLOR STEREO
- 78K SATELLITE DISH - AUTOMATIC
- 1JM HOME THEATER SOUND SYSTEM
- 265 CODES/STANDARDS - CSA/CMVSS
- 1B1 CODES/STANDARDS USA

1B1 265

FIRST USED

09 A-BODIES

DO NOT SCALE DRAWING

TITLE: **WIRING INSTL-TV/DVD, SIDE**

SHEET 29 PART NO 166268 REV

1 5/1/2009

TERMINALS

SPLICES

NO.	PART NUMBER	DESCRIPTION
B-1	50003-01	TERMINAL-PIN, 16-14 GA, .156 DIA
B-2	50004-01	TERMINAL-RECP, 16-14 GA, .156 DIA
B-11	50003-02	TERMINAL-PIN, 16-14 GA, .180 DIA
B-12	50004-02	TERMINAL-RECP, 16-14 GA, .180 DIA
WP-1	106950-01	TERMINAL-PIN, 16-14 GA
WP-2	106950-02	TERMINAL-PIN, 10-12 GA
WP-3	106950-03	TERMINAL-PIN, 8 GA
R-1	35416-01	TERMINAL-RING, #10 STD, 8 GA
R-2	35416-02	TERMINAL-RING, #10 STD, 6 GA
R-3	35416-03	TERMINAL-RING, #10 STD, 10-12 GA
R-4	35416-04	TERMINAL-RING, #10 STD, 14-16 GA
R-5	37018-01	TERMINAL-RING, 5/16 STD, 12-10 GA
R-6	102777-01	TERMINAL-RING, #6 STD, 14-16 GA
R-7	102777-02	TERMINAL-RING, #6 STD, 10-12 GA
R-8	102777-03	TERMINAL-RING, #6 STD, 8 GA
R-9	33787-01	TERMINAL-RING, #10 STD, 14 GA
R-60	8325-01	TERMINAL-RING, 1/4 STD, 14-16 GA
R-61	8326-01	TERMINAL-RING, 3/8 STD, 14-16 GA
R-62	8327-01	TERMINAL-RING, #10 STD, 14-16 GA
R-63	8328-01	TERMINAL-RING, #10 STD, 10-12 GA
R-64	8328-02	TERMINAL-RING, 3/8 STD, 10-12 GA
R-65	8329-01	TERMINAL-RING, 3/8 STD, 8 GA
R-66	8331-01	TERMINAL-RING, 3/8 STD, 4 GA
R-67	8332-01	TERMINAL-RING, 1/4 STD, 6 GA
R-68	8332-02	TERMINAL-RING, 1/4 STD, 10 GA
R-69	8350-01	TERMINAL-RING, 3/8 STD, 6 GA
R-70	99275-02	TERMINAL-RING, 7/16 STD, 8 GA
R-71	101397-01	TERMINAL-RING, #10 STD, 14-16 GA
R-91	88791-01	TERMINAL-RING, 3/8, 90°, 1/0 GA
R-92	88791-02	TERMINAL-RING, 3/8, 90°, 2 GA
R-93	8348-01	TERMINAL-RING, 3/8 STD, 2 GA
R-94	99275-01	TERMINAL-RING, 7/16 STD, 1/0 GA
RF-51	7944-01	TERMINAL-SPADE, 12-10 GA, #8 STUD
RF-52	7945-01	TERMINAL-SPADE, 18-14 GA, #8 STUD
TR-1	47443-01	TERMINAL-RECP, 16-14 GA, .25, INS
TR-2	47443-02	TERMINAL-RECP, 12-10 GA, .25, INS
TR-3	47443-05	TERMINAL-RECP, 22-18 GA, .25, INS
TR-11	47443-03	TERMINAL-RECP, 16-14 GA, .19, INS
TR-12	47443-04	TERMINAL-RECP, 16-14 GA, .11, INS
TR-21	80015-01	TERMINAL-RECP, 22-18 GA, .250, 90 DEG FOR USE WITH TAB THICKNESS .032
TR-22	80015-02	TERMINAL-RECP, 16-14 GA, .187, 90 DEG FOR USE WITH TAB THICKNESS .032
TR-23	80015-03	TERMINAL-RECP, 16-14 GA, .250, 90 DEG FOR USE WITH TAB THICKNESS .032
TR-24	80015-04	TERMINAL-RECP, 16-14 GA, .187, 90 DEG FOR USE WITH TAB THICKNESS .020
TR-51	7940-01	TERMINAL-RECP, 16-12 GA, .25, UNINS
TR-52	23809-01	TERMINAL-RECP, 16-14 GA, .19, UNINS
TR-53	23809-02	TERMINAL-RECP, 18-20 GA, .25, UNINS
TR-54	49270-01	TERMINAL-RECP, 18-20 GA, .19, UNINS
TR-55	7940-02	TERMINAL-RECP, 10 GA, .25, UNINS
TT-1	85745-02	TERMINAL-TAB, 16-14 GA, .25, INS
TT-2	85745-03	TERMINAL-TAB, 10-12 GA, .25, INS
TT-11	85745-04	TERMINAL-TAB, 18-22 GA, .19, INS
TT-51	7942-01	TERMINAL-TAB, 16-14 GA, .25, UNINS
TT-52	7943-01	TERMINAL-TAB, 14-10 GA, .25, UNINS
MF6-1	129236-01	TERMINAL-FEM, M/P, 630, 10-12
MF6-2	129236-02	TERMINAL-FEM, M/P, 630, 14-16

NO.	PART NUMBER	DESCRIPTION
BS-1	31876-01	SPLICE-BUTT, 16-14 GA, BLUE
BS-2	31876-02	SPLICE-BUTT, 12-10 GA, YELLOW
BS-3	31876-03	SPLICE-BUTT, 22-18 GA, RED
BS-SB	100070-01	SPLICE-BUTT, 14-16 GA, SHRINK, BLUE
BS-RB	112823-01	SPLICE-BUTT, 14-22 GA, REDUCER
BS-RS	173854-01	SPLICE-BUTT, 14-22 GA, REDUCER, SHRINK
S-1	7946-01	SPLICE, 1-6 MM ²
S-2	23808-01	SPLICE, 6-9 MM ²
I-2	7956-02	SHRINK WRAP .375 DIA
I-5	7956-05	SHRINK WRAP .25 DIA
SH-1	58028-01	SPLICE-HAT
S-10	101173-01	SPLICE-BARREL, 26300 CMA

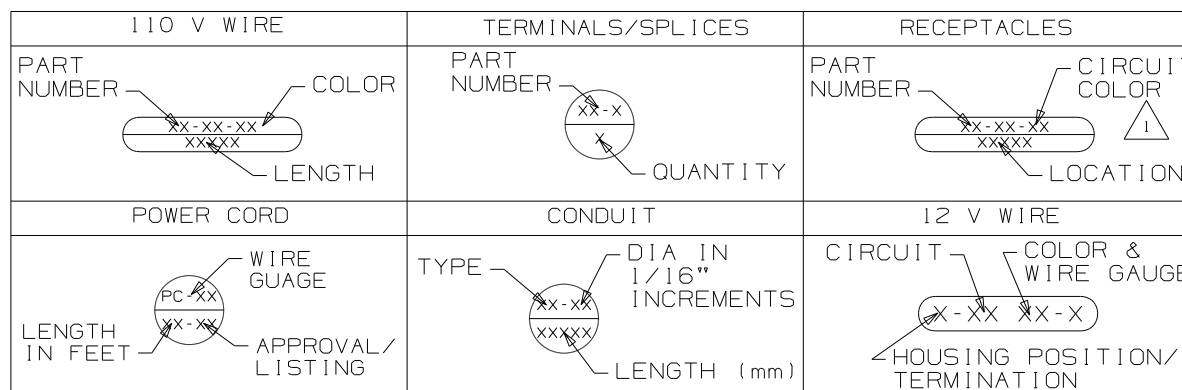
NO.	PART NUMBER	DESCRIPTION
SP-1	90986-02	PLUG ASM-ELECTRIC STEP
SP-2	142524-01-000	HOUSING-4 PIN
	098261-01-000	SOCKET-CONNECTOR
	098262-07-000	SEAL-CONNECTOR
	098261-02-000 (3)	SOCKET-CONNECTOR
098262-01-000 (3)	SEAL-CONNECTOR	
HR-1	63910-01	HOUSING-RELAY
MP-8	125323-02	HOUSING-PIN, 8 CAVITY
MP-10	125323-01	HOUSING-PIN, 10 CAVITY
MPP	125324-01	TERMINAL-MALE, M/P, 150
CAV-1	125325-01	SEAL-CAVITY, 150-SERIES M/P
CON-3	98262-03	SEAL-CONNECTOR
LS-8	125323-03	LOCK-SECONDARY 8 POSITION
LS-10	125323-04	LOCK-SECONDARY 10 POSITION
H-8	108355-01	HOUSING-SWITCH, 8 POSITION
H-12	108355-02	HOUSING-SWITCH, 12 POSITION

NO.	PART NUMBER	DESCRIPTION
GEN-1	125323-02-000	HOUSING-8 POSN, MALE, 150 SERIES
	125324-01-000 (4)	TERMINAL-MALE, M/P, 150
	098262-03-000 (4)	SEAL-CONNECTOR
	125325-01-000 (4)	SEAL-CAVITY, 150 SERIES M/P
125323-03-000	LOCK-SECONDARY 8 POSITION	
GEN-2	125323-01-000	HOUSING-10 POSN, MALE, 150 SERIES
	125324-01-000 (5)	TERMINAL-MALE, M/P, 150
	098262-03-000 (5)	SEAL-CONNECTOR
	125325-01-000 (5)	SEAL-CAVITY, 150 SERIES M/P
125323-04-000	LOCK-SECONDARY 10 POSITION	

HOUSINGS AND TERMINALS

NO.	PART NUMBER	DESCRIPTION
HS-2	88474-10	HOUSING-SOCKET, 2 CAVITY
HS-3	88474-09	HOUSING-SOCKET, 3 CAVITY
HS-4	88474-08	HOUSING-SOCKET, 4 CAVITY
HS-5	88474-07	HOUSING-SOCKET, 5 CAVITY
HS-6	88474-06	HOUSING-SOCKET, 6 CAVITY
HS-7	88474-05	HOUSING-SOCKET, 6 CAVITY-IN LINE
HS-9	88474-03	HOUSING-SOCKET, 9 CAVITY
HS-12	88474-01	HOUSING-SOCKET, 12 CAVITY
HS-15	88474-02	HOUSING-SOCKET, 15 CAVITY
HS-2-R	88474-12	HOUSING-SOCKET, 2 CAVITY-RED
HP-2	88473-10	HOUSING-PIN, 2 CAVITY
HP-3	88473-09	HOUSING-PIN, 3 CAVITY
HP-4	88473-08	HOUSING-PIN, 4 CAVITY
HP-5	88473-07	HOUSING-PIN, 5 CAVITY
HP-6	88473-06	HOUSING-PIN, 6 CAVITY
HP-7	88473-05	HOUSING-PIN, 6 CAVITY-IN LINE
HP-8	88473-04	HOUSING-PIN, 8 CAVITY-IN LINE
HP-9	88473-03	HOUSING-PIN, 9 CAVITY
HP-12	88473-01	HOUSING-PIN, 12 CAVITY
HP-15	88473-02	HOUSING-PIN, 15 CAVITY
HP-2-R	88473-15	HOUSING-PIN, 2 CAVITY-RED
HP-3-B	88473-12	HOUSING-PIN, 3 CAVITY-BLUE
HP-3-G	88473-13	HOUSING-PIN, 3 CAVITY-GREEN
HP-3-R	88473-14	HOUSING-PIN, 3 CAVITY-RED
TS-1	88476-01	SOCKET-CONNECTOR, 20-14 GA
TS-2	88476-02	SOCKET-CONNECTOR, 12-10 GA
TP-1	88475-01	PIN-CONNECTOR, 20-14 GA
TP-2	88475-02	PIN-CONNECTOR, 12-10 GA
HS2HA	137208-01	HOUSING-SOCKET, 2 CAVITY-HIGH AMP
HP2HA	137207-01	HOUSING-PIN, 2 CAVITY-HIGH AMP
TS-HA	137210-01	SOCKET-CONNECTOR, 10AWG HIGH AMP
TP-HA	137209-01	PIN-CONNECTOR, 10AWG HIGH AMP
H-HA	104100-01	HOUSING, 1 CAVITY 75 AMP
T-HA	104100-03	TERMINAL 10 AWG - 6 AWG 75 AMP

BALLOON CALLOUT LEGEND



WINNEBAGO COPYRIGHT 2009 WINNEBAGO INDUSTRIES, INC.

UNSPECIFIED TOLERANCES ARE: MATERIAL:

WHOLE DIM (X) :
 ONE-PLACE (X.X) :
 TWO-PLACE (X.XX) :
 ANGLE :

THIRD ANGLE PROJECTION

DO NOT SCALE DRAWING

TITLE: PART LISTING-ELECTRICAL

SHEET 1 OF 7 PART NO 121339 REV

1 FOR RECP-BLANK, DET-X DENOTES DETAIL VIEW. 2 CONTACT WIRE PREP PRIOR TO USING FOR TOOLING PURPOSES.

NOTES:

WIRE-SINGLE INS CONDUCTOR, STRANDED

NO.	PART NUMBER	DESCRIPTION
18-W 18-Y	156658-01 156658-02	WIRE, 18 GA. WHITE, PVC WIRE, 18 GA. YELLOW, PVC
16-Y 16-W	89360-01 89360-02	WIRE, 16 GA. YELLOW, PVC WIRE, 16 GA. WHITE, PVC
14-Y 14-W	48554-02 48554-04	WIRE, 14 GA. YELLOW, PVC WIRE, 14 GA. WHITE, PVC
12-Y 12-W	48555-02 48555-04	WIRE, 12 GA. YELLOW, PVC WIRE, 12 GA. WHITE, PVC
10-Y 10-W	8000-03 8000-05	WIRE, 10 GA. YELLOW, PVC WIRE, 10 GA. WHITE, PVC
8-B 8-G	8005-01 8005-03	WIRE, 8 GA. BLACK, PVC WIRE, 8 GA. GREEN, PVC
6-B 6-G	70065-01 70065-03	WIRE, 6 GA. BLACK, PVC WIRE, 6 GA. GREEN, PVC
18-WX 18-YX	121015-01 121015-02	WIRE, 18 GA. WHITE, XLPE WIRE, 18 GA. YELLOW, XLPE
16-YX 16-WX	116675-01 116675-02	WIRE, 16 GA. YELLOW, XLPE WIRE, 16 GA. WHITE, XLPE
14-YX 14-WX	98586-01 98586-02	WIRE, 14 GA. YELLOW, XLPE WIRE, 14 GA. WHITE, XLPE
12-YX 12-WX	98609-01 98609-02	WIRE, 12 GA. YELLOW, XLPE WIRE, 12 GA. WHITE, XLPE
10-YX 10-WX	116676-03 116676-04	WIRE, 10 GA. YELLOW, XLPE WIRE, 10 GA. WHITE, XLPE
8-BX 8-GX	116674-01 116674-02	WIRE, 8 GA. BLACK, XLPE WIRE, 8 GA. GREEN, XLPE
6-BX 6-GX	116687-01 116687-02	WIRE, 6 GA. BLACK, XLPE WIRE, 6 GA. GREEN, XLPE

RECEPTACLES

NO.	PART NUMBER	DESCRIPTION
RCP-1	172839-02-CHT	RECEPTACLE-SINGLE, FLUSH MOUNT
RCP-2	172839-01-CHT	RECEPTACLE-DOUBLE, FLUSH MOUNT
RCP-3	58707-01-000	RECEPTACLE-SINGLE, SURFACE MOUNT
RCP-4	157360-01-000	RECEPTACLE-SINGLE, SURFACE MOUNT, 20A
RCP-5	160984-01-CHT	RECEPTACLE-SINGLE, FLUSH MOUNT, 20A
RCP-B	58707-02-000	RECEPTACLE-BLANK, JUNCTION
RCP-E	131826-01-CHT	INCLUDES COVER & GASKET

WIRE-NM SHEATHED CABLE

NO.	PART NUMBER	DESCRIPTION
14 UL	8027-01-000	WIRE 14-2 ROMEX W/GROUND (UL)
14 CA	8023-02-000	WIRE 14-2 ROMEX W/GROUND (CAN)
12 UL	8026-01-000	WIRE 12-2 ROMEX W/GROUND (UL)
12 CA	8023-01-000	WIRE 12-2 ROMEX W/GROUND (CAN)
12-3 UL	8026-03-000	WIRE 12-3 ROMEX W/GROUND (UL)
12-3 CA	8023-03-000	WIRE 12-3 ROMEX W/GROUND (CAN)
10 UL	8022-01-000	WIRE 10-2 ROMEX W/GROUND (UL)
10 CA	24743-01-000	WIRE 10-2 ROMEX W/GROUND (CAN)
6-3 UL	108914-01-000	WIRE 6-3 ROMEX W/GROUND (UL)
6-3 CA	113136-01-000	WIRE 6-3 ROMEX W/GROUND (CAN)
6-2 UL	108914-02-000	WIRE 6-2 ROMEX W/GROUND (UL)
4-3 UL	128375-01-000	WIRE 4-3 ROMEX W/GROUND (UL)
4-3 CA	128375-01-000	WIRE 4-3 ROMEX W/GROUND (CAN)

POWER CORDS

NO.	PART NUMBER	DESCRIPTION
PC-10 28	8054-01-000	POWER CORD 10 GA, 30 AMP, 28 FT. (UL/CA)
PC-10 35	8054-02-000	POWER CORD 10 GA, 30 AMP, 35 FT. (UL/CA)
PC-10 30-CA	8052-01-000	SUPERCEDED BY 8054-01-000
PC-6 36	108934-01-000	POWER CORD 6 GA, 50 AMP, 36 FT. (UL/CA)
PC-6 36-FX	108934-02-000	POWER CORD 6 GA, 50 AMP, 36 FT. (UL/CSA) SUPERFLEX
PC-6 36-CA	113096-01-000	SUPERCEDED BY 108934-02-000

CIRCUIT COLOR LEGEND

110V CIRCUIT	WIRE COLOR	COAXIAL CIRCUIT
A/C CIRCUIT 1	RED	CABLE INPUT W/O SPLITTER
A/C CIRCUIT 2	GRN	REAR TV W/O SPLITTER
GENERAL RECPS 1	BLU	ANTENNA
GENERAL RECPS 2	BRN	FRONT TV
GENERAL RECPS 3	PUR	VCR INPUT
GENERAL RECPS 4	GRY	
REFRIGERATOR/ CONVERTER	YEL	EXT ENT CTR
MICROWAVE	BLK	AUX INPUT
WATER HEATER	WHT	
WASHER/DRYER	GLD	
DISHWASHER	SIL	
	ORG	SATELLITE PLATE INPUT
	ORG/ORG	SATELLITE PLATE OUTPUT
	RED/RED	CABLE INPUT W/SPLITTER
	GRN/GRN	REAR TV W/SPLITTER
	PUR/PUR	VCR OUTPUT

CONDUIT

NO.	PART NUMBER	DESCRIPTION	TEMP.
C-4	41953-07-000	CONDUIT-CONVOLUTE, SLIT .25" ID	194° F
C-6	41953-06-000	CONDUIT-CONVOLUTE, SLIT .38" ID	194° F
C-8	41953-01-000	CONDUIT-CONVOLUTE, SLIT .50" ID	194° F
C-10	41953-02-000	CONDUIT-CONVOLUTE, SLIT .63" ID	194° F
C-16	41953-03-000	CONDUIT-CONVOLUTE, SLIT 1.0" ID	194° F
C-24	41953-08-000	CONDUIT-CONVOLUTE, SLIT 1.5" ID	194° F
C-32	41953-15-000	CONDUIT-CONVOLUTE, SLIT 2.0" ID	194° F
CX-8	41953-09-000	CONDUIT-CONVOLUTE, SLIT .50" ID	239° F
CX-12	41953-10-000	CONDUIT-CONVOLUTE, SLIT .75" ID	239° F
CX-16	41953-11-000	CONDUIT-CONVOLUTE, SLIT 1.0" ID	239° F
CX-20	41953-13-000	CONDUIT-CONVOLUTE, SLIT 1.25" ID	239° F
CX-24	41953-14-000	CONDUIT-CONVOLUTE, SLIT 1.50" ID	239° F
CX-32	41953-16-000	CONDUIT-CONVOLUTE, SLIT 2.0" ID	239° F
CN-10	41953-05-000	CONDUIT-CONVOLUTE, NOT SLIT .63" ID	194° F
CN-16	41953-12-000	CONDUIT-CONVOLUTE, NOT SLIT 1.0" ID	194° F

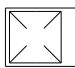
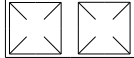
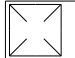
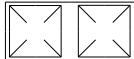

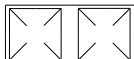

BATTERY CABLE LEGEND

COLOR	DESCRIPTION
PURPLE	CHASSIS BATTERY TO SOLENOID
BLUE	HYDRAULIC JACKS PUMP
RED	BATTERY TO STARTER
GREEN	BATTERY TO GENERATOR
YELLOW	COACH BATTERY TO SOLENOID

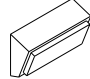
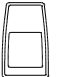
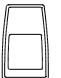
DWG NO 121339

FIRST USED
96 MH'S
DO NOT SCALE DRAWING
TITLE:
PART LISTING-ELECTRICAL
SHEET 2 PART NO 121339 REV







LAMP ASM-PACKAGE, PANCAKE

NO	PART NUMBER	DESCRIPTION
LF1-1	LAMP 98024-01-CHT SCREW G11-08-16U (4) CONNECTOR 58028-01-000 (2)	LAMP ASM, FROSTED LENS, 1 BULB W/SWITCH PROGRESSIVE DYNAMICS INC. 
LF2-1	LAMP 98024-03-CHT SCREW G11-08-16U (6) CONNECTOR 58028-01-000 (2)	LAMP ASM, FROSTED LENS, 2 BULB W/SWITCH PROGRESSIVE DYNAMICS INC. 
LO1-1	LAMP 98024-05-CHT SCREW G11-08-16U (4) CONNECTOR 58028-01-000 (2)	LAMP ASM, OPTI CLEAR LENS, 1 BULB W/SWITCH PROGRESSIVE DYNAMICS INC. 
LO2-1	LAMP 98024-06-CHT SCREW G11-08-16U (6) CONNECTOR 58028-01-000 (2)	LAMP ASM, OPTI CLEAR LENS, 2 BULB W/SWITCH PROGRESSIVE DYNAMICS INC. 
LF1N1	LAMP 98024-07-CHT SCREW G11-08-16U (4) CONNECTOR 58028-01-000 (2)	LAMP ASM, FROSTED LENS, 1 BULB W/O SWITCH PROGRESSIVE DYNAMICS INC. 
LF2N1	LAMP 98024-08-CHT SCREW G11-08-16U (6) CONNECTOR 58028-01-000 (2)	LAMP ASM, FROSTED LENS, 2 BULB W/O SWITCH PROGRESSIVE DYNAMICS INC. 
LFSN1	LAMP 98024-09-CHT SCREW G11-08-16U (6) CONNECTOR 58028-01-000 (2)	LAMP ASM, SINGLE FROSTED LENS, 2 BULB W/O SWITCH PROGRESSIVE DYNAMICS INC. 

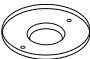


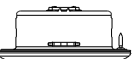
LAMP ASM-PACKAGE, PORCH

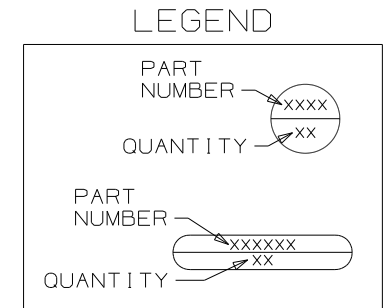
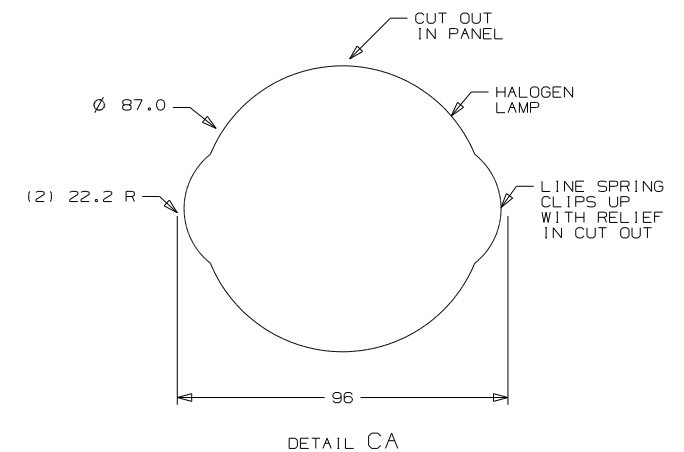
NO	PART NUMBER	DESCRIPTION
LEXT-1	LAMP 97917-01-CHT SCREW G67-10-129 (4) CONNECTOR 58028-01-000 (2)	LAMP ASM-PORCH, SURFACE MOUNT BARGMAN 
LEXT-ZUL	LAMP 8089-01-000 SCREW G68-06-10E (2) CONNECTOR 58028-01-000 (2)	LAMP ASM-PORCH, RECESSED UL LIST JRV PROD 
LEXT-2CA	LAMP 8089-02-000 SCREW G68-06-10E (2) CONNECTOR 58028-01-000 (2)	LAMP ASM-PORCH, RECESSED CAN LIST JRV PROD 
LEXT-3	LAMP 171513-01-CHT SCREW G67-10-129 (2) CONNECTOR 58028-01-000 (2)	LAMP ASM-PORCH SURFACE MOUNT OPTRONICS

LAMP ASM-PACKAGE, PANCAKE

NO	PART NUMBER	DESCRIPTION
LF1-2	LAMP 137417-01-CHT SCREW G11-08-16U (4) CONNECTOR 58028-01-000 (2)	LAMP ASM, FROSTED LENS, 1 BULB W/SWITCH PROGRESSIVE DYNAMICS INC. 
LF2-2	LAMP 137417-04-CHT SCREW G11-08-16U (6) CONNECTOR 58028-01-000 (2)	LAMP ASM, FROSTED LENS, 2 BULB W/SWITCH PROGRESSIVE DYNAMICS INC. 
LO1-2	LAMP 137417-02-CHT SCREW G11-08-16U (4) CONNECTOR 58028-01-000 (2)	LAMP ASM, OPTI CLEAR LENS, 1 BULB W/SWITCH PROGRESSIVE DYNAMICS INC. 
LO2-2	LAMP 137417-05-CHT SCREW G11-08-16U (6) CONNECTOR 58028-01-000 (2)	LAMP ASM, OPTI CLEAR LENS, 2 BULB W/SWITCH PROGRESSIVE DYNAMICS INC. 
LF1N2	LAMP 137417-03-CHT SCREW G11-08-16U (4) CONNECTOR 58028-01-000 (2)	LAMP ASM, FROSTED LENS, 1 BULB W/O SWITCH PROGRESSIVE DYNAMICS INC. 
LFSN2	LAMP 137417-06-CHT SCREW G11-08-16U (6) CONNECTOR 58028-01-000 (2)	LAMP ASM, SINGLE FROSTED LENS, 2 BULB W/O SWITCH PROGRESSIVE DYNAMICS INC. 

LAMP ASM-PACKAGE, HALOGEN

NO	PART NUMBER	DESCRIPTION
HAL	LAMP 123775-01-CHT SCREW (SUPPLIED) CONNECTOR 58028-01-000 (2)	LAMP ASM-HALOGEN, READING 1 BULB 
HAL-S	LAMP 123775-01-CHT SPACER 123775-02-CHT SCREW G13-06-16U (3) CONNECTOR 58028-01-000 (2)	LAMP ASM-HALOGEN, READING WITH 3/4" SPACER 1 BULB 
HAL-2	LIGHT-HAL, ROUND 165170-01-CHT SCREW G13-06-12B (2) CONNECTOR 58028-01-000 (2)	LIGHT-HALOGEN, ROUND 3" 
HAL-4	LIGHT-HAL, ROUND 165643-01-CHT SCREW G13-06-16B (3) CONNECTOR 58028-01-000 (2) (SEE DETAIL CA)	LIGHT-HALOGEN, ROUND 4.5" 



FIRST USED	96 MH'S
TITLE	DO NOT SCALE DRAWING
	PART LISTING-ELECTRICAL
SHEET 3	PART NO 121339 REV

LAMP ASM-PACKAGE, FLUORESCENT

LAMP ASM-PACKAGE, MAKEUP LAMP

LAMP ASM-PACKAGE, OTHER

LAMP ASM-PACKAGE, PANCAKE

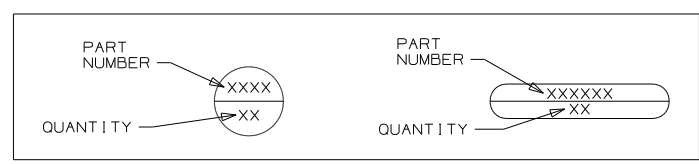
NO	PART NUMBER	DESCRIPTION
FLU-1	LAMP 91936-02-CHT SCREW G11-08-12U (4) CONNECTOR 58028-01-000 (2)	LAMP ASM-FLUORESCENT 12" 2 BULB W/SWITCH THIN-LITE
FLU-2	LAMP 91936-01-CHT SCREW G11-08-12U (4) CONNECTOR 58028-01-000 (2)	LAMP ASM-FLUORESCENT 18" 2 BULB W/SWITCH THIN-LITE
FLU-3	LAMP 127327-01-CHT SCREW G11-08-12U (2) CONNECTOR 58028-01-000 (2)	LAMP ASM-FLUORESCENT 18" 1-12" BULB W/SWITCH THIN-LITE
FLU-4	LAMP 130338-01-CHT SCREW G11-08-12U (4) CONNECTOR 58028-01-000 (2)	LAMP ASM-FLUORESCENT 18" 2 BULB SURFACE MOUNT W/SWITCH THIN-LITE
FLU-5	LAMP 153464-02-CHT SCREW G11-08-12U (4) CONNECTOR 58028-01-000 (2)	LAMP ASM-FLUORESCENT 12" 2 BULB W/SWITCH COOL WHITE BULB THIN-LITE CUTOUT-122 X 336
FLU-6	LAMP 130338-02-CHT SCREW G11-08-12U (4) CONNECTOR 58028-01-000 (2)	LAMP ASM-FLUORESCENT 18" 2 BULB SURFACE MOUNT WARM WHITE BULB W/SWITCH THIN-LITE
FLU-7	LAMP 153464-05-CHT SCREW G11-08-12U (4) CONNECTOR 58028-01-000 (2)	LAMP ASM-FLUORESCENT 12" 2 BULB W/SWITCH WARM WHITE BULB THIN-LITE CUTOUT-122 X 336
FLU-8	LAMP 173072-01-CHT SCREW G11-08-12U (2) CONNECTOR 58028-01-000 (2)	LAMP ASM-FLUORESCENT 18" ONE 8 WATT BULB W/SWITCH OPTRONICS
FLUN1	LAMP 91936-04-CHT SCREW G11-08-12U (4) CONNECTOR 58028-01-000 (2)	LAMP ASM-FLUORESCENT 12" 2 BULB W/O SWITCH THIN-LITE
FLUN2	LAMP 91936-03-CHT SCREW G11-08-12U (4) CONNECTOR 58028-01-000 (2)	LAMP ASM-FLUORESCENT 18" 2 BULB W/O SWITCH THIN-LITE
FLUN3	LAMP 153464-01-CHT SCREW G11-08-12U (4) CONNECTOR 58028-01-000 (2)	LAMP ASM-FLUORESCENT 12" 2 BULB W/O SWITCH COOL WHITE BULB THIN-LITE CUTOUT-122 X 336
FLUN4	LAMP 153464-03-CHT SCREW G11-08-12U (6) CONNECTOR 58028-01-000 (2)	LAMP ASM-FLUORESCENT 18" 2 BULB W/O SWITCH COOL WHITE BULB THIN-LITE CUTOUT-122 X 480
FLUN5	LAMP 153464-06-CHT SCREW G11-08-12U (6) CONNECTOR 58028-01-000 (2)	LAMP ASM-FLUORESCENT 18" 2 BULB W/O SWITCH WARM WHITE BULB THIN-LITE CUTOUT-122 X 480
FLUN6	LAMP 153464-04-CHT SCREW G11-08-12U (6) CONNECTOR 58028-01-000 (2)	LAMP ASM-FLUORESCENT 12" 2 BULB W/O SWITCH WARM WHITE BULB THIN-LITE CUTOUT-122 X 336

NO	PART NUMBER	DESCRIPTION
LMU3-1	LAMP 110235-01-CHT SCREW W/SPACER (SUPPLIED) CONNECTOR 58028-01-000 (2)	LAMP ASM-MAKEUP (W/O MIRROR) 3 BULB (SUPPLIED) PROGRESSIVE DYNAMICS
LMM3-2	LAMP 123774-03-CHT SCREW (SUPPLIED) BULB 123918-01-000 (3) CONNECTOR 58028-01-000 (2)	LAMP ASM-MAKEUP (W/MIRROR) 3 BULB GUSTOFSON
LMU3-2	LAMP 138116-01-CHT SCREW (SUPPLIED) BULB 123918-01-000 (3) CONNECTOR 58028-01-000 (2)	LAMP ASM-MAKEUP (W/O MIRROR) 3 BULB GUSTOFSON
LMU3-3	LAMP 162446-01-CHT SCREW (SUPPLIED) BULB 123918-01-000 (3) CONNECTOR 58028-01-000 (2)	LAMP ASM-MAKEUP (W/O MIRROR) 3 BULB GUSTOFSON
LMU4-1	LAMP 110235-02-CHT SCREW G11-08-16U (2) CONNECTOR 58028-01-000 (2)	LAMP ASM-MAKEUP (W/O MIRROR) 4 BULB PROGRESSIVE DYNAMICS
LMU4-2	LAMP 138116-02-CHT SCREW (SUPPLIED) BULB 123918-01-000 (4) CONNECTOR 58028-01-000 (2)	LAMP ASM-MAKEUP (W/O MIRROR) 4 BULB GUSTOFSON
LMU4-3	LAMP 162446-02-CHT SCREW (SUPPLIED) BULB 123918-01-000 (4) CONNECTOR 58028-01-000 (2)	LAMP ASM-MAKEUP (W/O MIRROR) 4 BULB GUSTOFSON
LMM4-2	LAMP 123774-01-CHT SCREW G11-08-16U (2) BULB 123918-01-000 (4) CONNECTOR 58028-01-000 (2)	LAMP ASM-MAKEUP (W/MIRROR) 4 BULB GUSTOFSON

NO	PART NUMBER	DESCRIPTION
LSH-1	LAMP 121935-01-CHT SCREW G11-08-16U (4) CONNECTOR 58028-01-000 (2)	LAMP ASM-SHOWER PROGRESSIVE DYNAMICS INC.
LSH-2	LAMP 164039-01-CHT SCREW G11-08-16U (3) CONNECTOR 58028-01-000 (2)	LIGHT-DOME, SHOWER
LSH-3	LAMP 164040-01-CHT SCREW G13-07-12U (3) CONNECTOR 58028-01-000 (2)	LIGHT-DOME, SHOWER GLASS
LCR-1	LAMP 61424-01-000 SCREW G11-08-12U (4) CONNECTOR 58028-01-000 (2)	LAMP ASM-COURTESY, AISLE RAMCO (RECTANGULAR)
LCS-1	LAMP 108354-01-CHT SCREW G11-08-12U (4) CONNECTOR 58028-01-000 (2)	LAMP ASM-COURTESY, AISLE ITC MARINE (SQUARE)
READ-1	LIGHT-READING 132427-01-CHT SCREW SUPPLIED W/ LIGHT CLIP-U 141395-02-CHT (2) CONNECTOR 58028-01-000 (2)	LIGHT-READING, SWIVEL, ROUND 1 BULB
READ-2	LIGHT-READING 128786-02-CHT SCREW G11-08-16J (2) BULB 123917-01-000 CONNECTOR 58028-01-000 (2)	LIGHT, READING, SWIVEL
READ-3	LIGHT-READING 170833-01-CHT SCREW SUPPLIED W/LIGHT CONNECTOR 58028-01-000 (2)	LIGHT, READING, HAL
READ-4	LIGHT-READING, LED, FLEX 174060-01-CHT SCREW SUPPLIED W/LIGHT CONNECTOR 58028-01-000 (2)	LIGHT, READING, LED, FLEX
READ-5	LIGHT-READING, LED, SWIVEL 174815-01-CHT SCREW SUPPLIED W/LIGHT CONNECTOR 58028-01-000 (2)	LIGHT, READING, LED SWIVEL .05 A

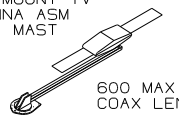
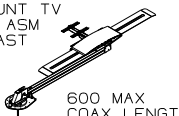
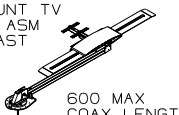
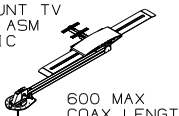
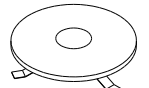
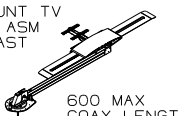
NO	PART NUMBER	DESCRIPTION
LF1-3	LAMP 170693-01-CHT SCREW G11-08-16U (4) CONNECTOR 58028-01-000 (2)	LAMP ASM, FROSTED LENS, 1 BULB W/SWITCH GUSTAFSON
LF2-3	LAMP 170693-04-CHT SCREW G11-08-24U (4) CONNECTOR 58028-01-000 (2)	LAMP ASM, FROSTED LENS, 2 BULB W/SWITCH GUSTAFSON
LO1-3	LAMP 170693-02-CHT SCREW G11-08-16U (4) CONNECTOR 58028-01-000 (2)	LAMP ASM, OPTI CLEAR LENS, 1 BULB W/SWITCH GUSTAFSON
LO2-3	LAMP 170693-05-CHT SCREW G11-08-24U (4) CONNECTOR 58028-01-000 (2)	LAMP ASM, OPTI CLEAR LENS, 2 BULB W/SWITCH GUSTAFSON
LF1N3	LAMP 170693-03-CHT SCREW G11-08-16U (4) CONNECTOR 58028-01-000 (2)	LAMP ASM, FROSTED LENS, 1 BULB W/O SWITCH GUSTAFSON
LFSN3	LAMP 170693-06-CHT SCREW G11-08-24U (4) CONNECTOR 58028-01-000 (2)	LAMP ASM, SINGLE FROSTED LENS, 2 BULB W/O SWITCH GUSTAFSON
LOS3	LAMP 170693-07-CHT SCREW G11-08-24U (4) CONNECTOR 58028-01-000 (2)	LAMP ASM, OPTICLEAR LENS, 2 BULB W/O SWITCH GUSTAFSON
LO1N3	LAMP 170693-08-CHT SCREW G11-08-16U (4) CONNECTOR 58028-01-000 (2)	LAMP ASM, OPTICLEAR LENS, 1 BULB W/O SWITCH GUSTAFSON

LEGEND

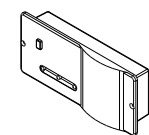


FIRST USED	96 MH'S
TITLE	DO NOT SCALE DRAWING
TITLE	PART LISTING-ELECTRICAL
SHEET 4	PART NO 121339 REV

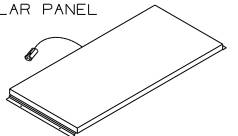
ANTENNA ASM-PACKAGE

NO	PART NUMBER	DESCRIPTION
ANT-1	ANTENNA 76319-24-000 HARDWARE- INTERIOR 76319-25-000 BUMPER 69726-02-000 (2) CLIP 80734-02-000	ROOF MOUNT TV ANTENNA ASM 25.5" MAST  600 MAX COAX LENGTH
ANT-2	ANTENNA 173519-01-CHT HARDWARE- INTERIOR 76319-25-000 BUMPER 69726-02-000 (2) ADAPTER SUPPLIED W/ANTENNA	ROOF MOUNT TV ANTENNA ASM 44.5" MAST  600 MAX COAX LENGTH
ANT-2W	ANTENNA 173519-01-CHT HARDWARE- INTERIOR 76319-25-000 BUMPER 69726-02-000 (2) ADAPTER SUPPLIED W/ANTENNA WEDGE 76319-26-000	ROOF MOUNT TV ANTENNA ASM 44.5" MAST  600 MAX COAX LENGTH
ANTA-1	ANTENNA 158270-01-CHT BUMPER 69726-02-000 (2) ADAPTER SUPPLIED W/ANTENNA ANTENNA-WINGMAN, ACCESSORY 173519-03-CHT	ROOF MOUNT TV ANTENNA ASM AUTOMATIC  600 MAX COAX LENGTH
ANT-3	ANTENNA-TV ROOF MNT, ROUND 167632-01-CHT PLATE-ROOF, CABLE ENTRY 146488-01-000 SCREW 667-10-129 (10) CABLE ASM-COAX 87105-01-006 ADAPTER 82134-01-000	ROOF MOUNT OMNI- DIRECTIONAL ANTENNA MOUNTING SCREWS SUPPLIED WITH ANTENNA 
ANT-4	ANTENNA 173519-01-CHT HARDWARE- INTERIOR 76319-25-000 BUMPER 69726-02-000 (2) ADAPTER SUPPLIED W/ANTENNA ANTENNA-HANDLE EXTENSION 173519-02-CHT	ROOF MOUNT TV ANTENNA ASM 44.5" MAST  600 MAX COAX LENGTH

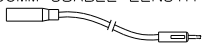
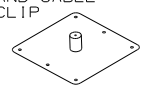

SENSORS

NO	PART NUMBER	DESCRIPTION
LPGD	LP GAS DETECTOR 150138-03-CHT SCREW 668-06-10U (2)	DETECTOR-LP GAS 


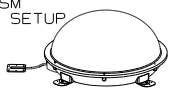
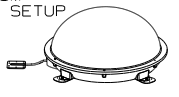
PANELS

NO	PART NUMBER	DESCRIPTION
SOLAR	PANEL-SOLAR 10 WATT 151647-01-000 SCREW 611-08-12U (4)	SOLAR PANEL 

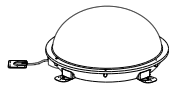
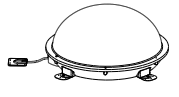
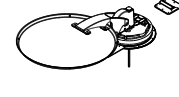
ANTENNA ASM-PACKAGE

ANTEXT-1	CABLE ASM-EXTENS 77069-02-000	RADIO ANTENNA CABLE EXTENSION 2400MM USABLE LENGTH 
ANTKIT-1	ADAPTER-PLATE 76319-06-000 SCREW 611-08-08T (6) CLIP-WIRE 80734-02-000 SCREW 611-08-08T	PLATE ASM-ADAPTERS CABLE ROOF MOUNTING PLATE W/ CABLE-CABLE ADAPTER, FITTINGS, AND CABLE RETAINING CLIP 
ANT-R	ANTENNA-RADIO 90944-01-000 EXTENDER-SHAFT ANTENNA 109889-04-000 BRACKET-ANTENNA GROUND 147741-01-CHT	ROOF MOUNT RADIO ANTENNA 
ANTEXT-2	CABLE ASM-EXTENS 77069-03-000	RADIO ANTENNA CABLE EXTENSION 6600 MM USABLE LENGTH
ANT-A	ANTENNA-RADIO 90944-01-000 EXTENDER-SHAFT 76 MM 171825-01-000 (2) BRACKET-GROUND 147741-01-CHT NUT OMD01K-06-000 (2)	ROOF MOUNT RADIO ANTENNA THICK ROOF

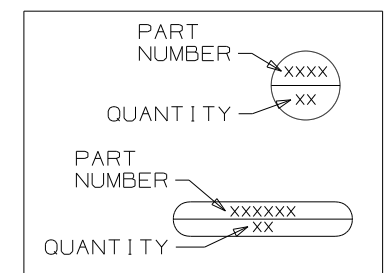
SATELLITE DISH INSTL

NO	PART NUMBER	DESCRIPTION
DM-1	SATELLITE DISH 137135-02-000 SCREW 667-10-12B (8) PLATE & BRACKET (SUPPLIED) SCREW 667-10-12B (10)	SATELLITE DISH ANTENNA ASM MANUAL SETUP 
DA-1	SATELLITE DISH 163598-01-CHT PLATE-ROOF,CABLE ENTRY QUAD 146488-03-000 SCREW 667-10-12U (8) (FOR PLATE) SCREW 639-10-12U (12) (FOR SATELLITE DISH)	SATELLITE DISH ANTENNA ASM AUTOMATIC SETUP 
D1-1	SATELLITE DISH 154474-04-CHT SCREW 639-10-12B (12) PLATE 146488-01-000 SCREW 667-10-12B (10)	SATELLITE DISH ANTENNA ASM IN MOTION SETUP 

SATELLITE DISH INSTL

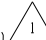
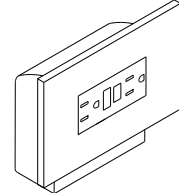

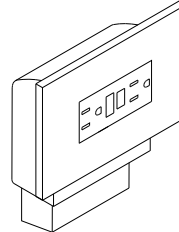
NO	PART NUMBER	DESCRIPTION
DA-2	SATELLITE DISH 163598-01-CHT PLATE-ROOF,CABLE ENTRY QUAD 146488-03-000 CABLE ASM-COAX 9" 163598-04-000 ADAPTOR-CABLE TO CABLE B2134-01-000 SCREW 667-10-12U (8) (FOR PLATE) SCREW 639-10-12U (12) (FOR SATELLITE DISH)	SATELLITE DISH ANTENNA ASM AUTOMATIC SETUP 
D1-2	SATELLITE DISH 154474-04-CHT PLATE-ROOF,CABLE ENTRY QUAD 146488-03-000 CABLE ASM-COAX 9" 163598-04-000 ADAPTOR-CABLE TO CABLE B2134-01-000 SCREW 667-10-12U (8) (FOR PLATE) SCREW 639-10-12U (12) (FOR SATELLITE DISH)	SATELLITE DISH ANTENNA ASM AUTOMATIC SETUP 
DM-2	SATELLITE DISH 137135-05-000 PLATE-ROOF,ENTRY (SUPPLIED WITH SATELLITE DISH) SCREW 667-10-12U (8) (FOR ROOF PLATE) SCREW 667-10-12U (10) (FOR SATELLITE DISH)	SATELLITE DISH ANTENNA ASM MANUAL SETUP 

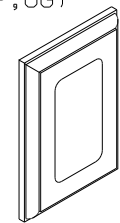
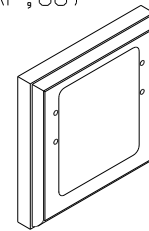
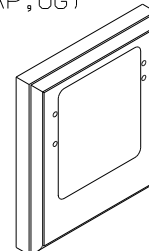
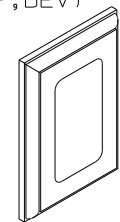
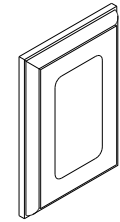
LEGEND

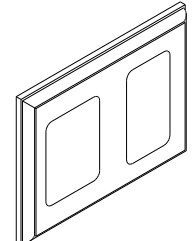


RECEPTACLE PACKAGE - GF I


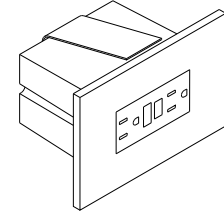
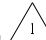
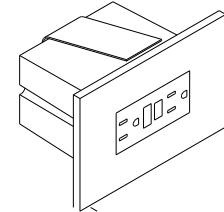
SPACERS

NO	PART NUMBER	DESCRIPTION
GF1 US	RECEPTACLE 163319-01-CHT BOX 91910-02-000 WIRE-BONDING 133678-03-000 SCREW G13-07-12B (4) CONNECTOR 8313-01-000 TUBING-VINYL 8041-02-000 (300MM) 	GF1 RECEPTACLE WITH COVER AND BOX FOR US APPLICATION 
GF1 CAN	RECEPTACLE 163319-01-CHT BOX 91910-01-000 WIRE-BONDING 133678-03-000 SCREW G13-07-12B (4) CONNECTOR 8313-01-000 TUBING-VINYL 8041-02-000 (300MM) 	GF1 RECEPTACLE WITH COVER AND BOX FOR CANADA APPLICATION 

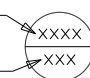
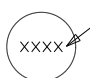
NO	PART NUMBER	DESCRIPTION
SP-01	SPACER 102568-01-XXX	STANDARD 110V RECEPTACLE SPACER (WOOD,VYL RAP,OG) 
SP-02	SPACER 102568-02-XXX	WOOD SPACER FOR CEILING MOUNTED A/C PREP BOX (US) (WOOD,VYL RAP,OG) 
SP-03	SPACER 102568-03-XXX	WOOD SPACER FOR CEILING MOUNTED A/C PREP BOX (CANADA) (WOOD,VYL RAP,OG) 
SP-04	SPACER 133713-01-CHT	STANDARD 110V RECEPTACLE SPACER (WOOD,VYL RAP,BEV) 
SP-05	SPACER 133713-20-XXX	STANDARD 110V RECEPTACLE SPACER (WOOD,BEV) 

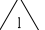
SP-21	SPACER 126052-01-XXX	WOOD SPACER FOR 1 - 110V RECEPTACLE AND 1 - REAR TV (12V) JACK (WOOD,BEV) 
-------	-------------------------	---

RECEPTACLE PACKAGE - GF I

NO	PART NUMBER	DESCRIPTION
GF1-L US	RECEPTACLE 163319-01-CHT BOX 133070-01-000 WIRE-BONDING 133678-03-000 SCREW G13-07-12B (4) CONNECTOR 8313-01-000 TUBING-VINYL 8041-02-000 (300MM) 	GF1 RECEPTACLE WITH COVER AND BOX FOR US APPLICATION 
GF1-L CAN	RECEPTACLE 163319-01-CHT BOX 133070-02-000 WIRE-BONDING 133678-03-000 SCREW G13-07-12B (4) CONNECTOR 8313-01-000 TUBING-VINYL 8041-02-000 (300MM) 	GF1 RECEPTACLE WITH COVER AND BOX FOR CANADA APPLICATION 

LEGEND

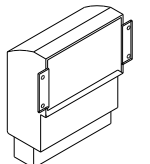
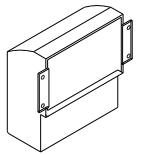
MISC.	SPACER
PART NUMBER - XXXX LISTING - XXX 	XXXX - PART NUMBER 

NOTES:  APPLY TUBING TO BARE GROUND WIRES.

FIRST USED	96 MH'S
TITLE	DO NOT SCALE DRAWING
	PART LISTING-ELECTRICAL
SHEET 6	PART NO 121339 REV

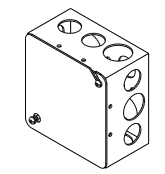
PREP - A/C, RECESSED (W/OUT FACTORY A/C)

NO	PART NUMBER	DESCRIPTION
PREP A/C-US	BOX 91910-02-000 COVER 84099-02-CHT LABEL 91243-01-000 SCREW G13-07-12B (4) CONNECTOR 8313-01-000 (3)	BOX AND EQUIPMENT USED FOR A/C PREP (W/OUT FACTORY A/C). US APPLICATION (RECESSED IN ROOF)
PREP A/C-CAN	BOX 91910-01-000 COVER 84099-02-CHT LABEL 91243-01-000 SCREW G13-07-12B (4) CONNECTOR 8313-01-000 (3)	BOX AND EQUIPMENT USED FOR A/C PREP (W/OUT FACTORY A/C). CANADA APPLICATION (RECESSED IN ROOF)



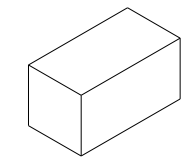
CONNECTION BOX, GENERATOR SERVICE FEED

NO	PART NUMBER	DESCRIPTION
J-GEN 30	BOX 8289-01-000 COVER 8294-01-000 SCREW G67-10-10B (2)	BOX AND EQUIPMENT USED FOR CONNECTING THE GENERATOR LEADS TO THE SERVICE ENTRANCE WIRES (US & CA APPLICATION)
J-GEN 30-US	WIRE ASM-GROUND 133678-02-000	
J-GEN 30-CA	WIRE NUT-GREY 8314-01-000 (3) CONNECTOR-WIRE 8356-01-000	



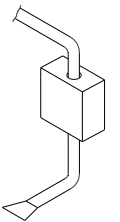
PREP - A/C, SURFACE (W/OUT FACTORY A/C)

NO	PART NUMBER	DESCRIPTION
PREP SURF	BOX 93603-01-000 COVER 53337-01-000 LABEL 91243-01-000 WIRE-BONDING 8019-01-000 SCREW G11-08-12B (2) TERMINAL 8328-01-000 CONNECTOR 8313-01-000 (2) CONNECTOR 8311-01-000	SURFACE MOUNT, US AND CANADA, BOX AND EQUIPMENT FOR A/C PREP (W/OUT FACTORY A/C). TYPICALLY LOCATED ON OVERHEAD CABINET INNER WALL OR ON CEILING.



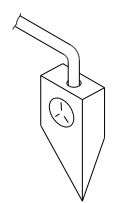
CONNECTION BOX-POWER CORD

NO	PART NUMBER	DESCRIPTION
J-PC 30	BOX 8289-01-000 COVER	CONNECTION BOX IN POWER CORD COMPT FOR POWER CORD (US & CA APPLICATION)
J-PC 30-US	8294-01-000 SCREW G67-10-10B (2)	
J-PC 30-CA	WIRE ASM-GROUND 133678-02-000 CONNECTOR 8314-01-000 (3) CONNECTOR 8356-02-000 CONNECTOR (PC) 8355-01-000	

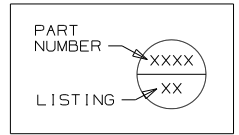


CONNECTION BOX-GENERATOR RECEPTACLE

NO	PART NUMBER	DESCRIPTION
J-RCP 30	BOX 8289-01-000 RECEPTACLE	CONNECTION BOX IN POWER CORD COMPT FOR THE GENERATOR RECEPTACLE (US & CA APPLICATION)
J-RCP 30-US	24924-02-000 COVER 69238-01-000 SCREW G67-10-10B (2)	
J-RCP 30-CA	WIRE ASM-GROUND 133678-02-000 133678-04-000 CONNECTOR 8314-01-000 TUBING-VINYL 8041-02-000 (1) (150MM)	



LEGEND



NOTES:
1 APPLY TUBING TO BARE GROUND WIRES.

FIRST USED	96 MH'S
TITLE	DO NOT SCALE DRAWING
	PART LISTING-ELECTRICAL
SHEET 7	PART NO 121339 REV

08/29/09
REPORT 3593-1

WIRE IDENTIFICATION CHART

CODE / COLOR	FROM:	TO:
A / 14 YEL	GALLEY CEILING LAMP SWITCH	GALLEY CEILING LAMP
B / 12 YEL	OVERCURRENT PROTECTION (30A BREAKER TYPICAL)	POWER PASSENGER SEAT ("BUDDY SEAT")
C / 12 WHT	POWER PASSENGER SEAT	GROUND
D / 14 YEL	JHOWER OVHD LAMP SWITCH SEE WIRE PF, START OF 97	SHOWER OVHD LAMP
E / 095038-01-	PHONE INPUT JACK	REAR PHONE JACK
F / 095038-01-	PHONE INPUT JACK	EXTERIOR PHONE JACK
G / 12/ 10 YEL	OVERCURRENT PROTECTION (30A BREAKER TYPICAL)	HIGH SPEED HEATER FAN (USE 10 IF OVER 6' RUN)
H / 095038-01-	PHONE INPUT JACK	FRONT PHONE JACK
J / 6 BLK	OVERCURRENT PROTECTION (45 OR 55A BREAKER TYP)	COACH 12V PANEL/ CONVERTER BATTERY CHARGE
K / 6 BLK	OVERCURRENT PROTECTION (45 OR 55A BREAKER TYP)	COACH 12V PANEL
L / 6 GRN	CONVERTER 45 OR 55 AMP	GROUND
M / 6 BLK	OVERCURRENT PROTECTION (45 OR 50A BREAKER)	CONVERTER BATTERY CHARGE
N / 10 WHT	REFRIGERATOR	GROUND
P / 10YEL(BLK)	OVERCURRENT PROTECTION (20A FUSE TYPICAL)	REFRIGERATOR (3 WAY)
R / 8 GRN	REFRIGERATOR CHASSIS	GROUND
S / 8 OR 6 GRN	GROUND BAR (LEFT SIDE)	CHASSIS GROUND
T / 8 OR 6 GRN	GROUND BAR (RIGHT SIDE)	CHASSIS GROUND
U / 6 GRN	CONVERTER CHASSIS	GROUND
W / 8 GRN	- GROUND STUD	- GROUND STUD
X / 14 YEL	- CHASSIS BRAKE LAMP CIRCUIT	- CENTER MOUNT BRAKE LAMP
Y / 16 YEL	VOLUME CONTROL	RADIO/TV SPEAKER
Z / 6 BLK	OVERCURRENT PROTECTION (45 OR 55A BREAKER TYP)	COACH 12V PANEL
AA / 16 WHT	SERVICE ENGINE SOON LAMP	VEHICLE SERVICE ENGINE SOON LAMP CIRCUIT
AB / 16 WHT	WATER TANK LEVEL SENSORS	GROUND
AC / 16 WHT	MAIN HOLDING TANK SENSORS (BLACK WATER)	GROUND
AD / 16 WHT	AUXILIARY HOLDING TANK #1 (GRAY WATER)	GROUND
AE / 16 WHT	AUXILIARY HOLDING TANK #2 (GRAY WATER)	GROUND
AF / 12 YEL	WATER PUMP SWITCH #1	MONITOR PANEL WATER PUMP SWITCH
AG / 12 YEL	WATER PUMP SWITCH #1	MONITOR PANEL WATER PUMP SWITCH
AH / 14 YEL	OVERCURRENT PROTECTION (10A FUSE TYPICAL)	BRAKE LAMP SWITCH WARNING LAMP (IGNITION RUN/START FED)
AJ / 12 WHT	CHASSIS GROUND	BODY GROUND
AK / 12 WHT	CHASSIS GROUND	BODY GROUND
AL / 12 YEL	HEATER CONTROL (LOW SPEED)	BLOWER MOTOR (LOW SPEED)
AM / 12YEL(WHT)	HEATER CONTROL (MEDIUM/LOW SPEED)	BLOWER MOTOR (MEDIUM/LOW SPEED)

08/29/09
REPORT 3593-1

WIRE IDENTIFICATION CHART

CODE / COLOR	FROM:	TO:
AN / 12 YEL	HEATER CONTROL (MEDIUM/HIGH SPEED)	BLOWER MOTOR (MEDIUM/HIGH SPEED)
AP / 14 YEL	IGNITION SWITCH ACCESSORY FEED	OVERCURRENT PROTECTION (15A FUSE TYPICAL)
AR / 14 WHT	HORN, FOG LAMPS	GROUND
AS / 18 WHT	DASH RADIO	RIGHT FRONT SPEAKER (NEGATIVE)
AT / 18 WHT	DASH RADIO	LEFT FRONT SPEAKER (NEGATIVE)
AU / 16 YEL	OVERCURRENT PROTECTION (15A BREAKER TYPICAL)	FRONT CARGO LAMP SWITCH (IGNITION ACCESSORY FED)
AW / 16 YEL	FRONT CARGO LAMP SWITCH	REAR CARGO LAMP SWITCH
AX / 16 YEL	FRONT CARGO LAMP SWITCH	REAR CARGO LAMP SWITCH
AY / 16 YEL	REAR CARGO LAMP SWITCH	CARGO LAMPS
BA / 14 WHT	WINDSHIELD WIPER MOTOR	GROUND
BB / 16 YEL	OVERCURRENT PROTECTION (6A BREAKER TYPICAL)	INSTRUMENT PANEL GAUGES (IGNITION ACCESSORY FED)
BC / 14 WHT	INDICATOR LAMPS	GROUND
BD / 14 YEL	OVERCURRENT PROTECTION (10A FUSE TYPICAL)	BRAKE LAMP SWITCH
BE / 12 WHT	BLOWER MOTOR	GROUND
BF / 14 WHT	WASHER BOTTLE PUMP/HORN	GROUND
BG / 14 YEL	FUEL SENDER	FUEL GAUGE
BH / 14 YEL	RUN ONLY POWER RELAY	ENGINE WIRING
BJ / 16 YEL	OVERCURRENT PROTECTION (10A FUSE TYPICAL)	ENGINE WIRING (IGNITION RUN/START FED)
BK / 14 YEL	OVERCURRENT PROTECTION (10A FUSE TYPICAL)	HORN RELAY FEED
BL / 16 WHT	CIGAR LIGHTER	GROUND
BM / 16 YEL	CHASSIS BATTERY POWER	CIGAR LIGHTER
BN / 16 YEL	ACCESSORY POWER	SPOTLAMP
BP / 14 WHT	POWER MIRROR	GROUND
BR / 14 YEL	POWER MIRROR (RIGHT SIDE)	POWER MIRROR CONTROL SWITCH
BS / 14 YEL	POWER MIRROR HEAT SWITCH	POWER MIRRORS
BT / 14 YEL	POWER MIRROR (LEFT SIDE)	POWER MIRROR CONTROL SWITCH
BU / 14 YEL	RUN ONLY POWER	POWER MIRROR HEAT/ CONTROL SWITCHES
BW / 12 YEL	IGNITION SWITCH	ACCESSORY CIRCUIT FEED
BX / 12YEL(ORN)	IGNITION SWITCH RUN ONLY SOURCE	GENERAL(TURN, BACK UP,DASH IGNITION CIRCUIT,ETC)
BY / 12YEL/8BLK	OVERCURRENT PROTECTION (16GA FUSELINK)(8GA PASSTHRU)	CHASSIS BATTERY SOURCE(AUTO AC BLOWER,POWER DRIVER SEAT,ETC)
CA / 12 YEL	OVERCURRENT PROTECTION (16GA FUSELINK TYPICAL)	CHASSIS BATTERY SOURCE
CB / 12 YEL	IGNITION SWITCH START SOURCE	START CIRCUIT SOURCE
CC / 16 YEL	ALTERNATOR	ALTERNATOR WARNING LAMP
CD / 16 YEL	OIL PRESSURE WARNING SENDER	OIL PRESSURE WARNING LAMP

WIRE IDENTIFICATION CHART

CODE / COLOR	FROM:	TO:
CE / 16 YEL	WATER TEMPERATURE WARNING SENDER	WATER TEMPERATURE WARNING LAMP
CF / 14 YEL	REAR TV JACK	POWER FEED SWITCH
CG / 14 YEL	CLUTCH/NEUTRAL SWITCH	START ISOLATION RELAY
CH / 14 YEL	START RELAY	ENGINE WIRING
CJ / 14 YEL	WINDSHIELD WIPER/WASHER CONTROL SWITCH	WINDSHIELD WASHER PUMP
CK / 16 YEL	TELEVISION	SPEAKER (POSITIVE)
CL / 16 WHT	TELEVISION	SPEAKER (NEGATIVE)
CM / 10 YEL	DVERCURRENT PROTECTION (15A BREAKER TYPICAL)	INVERTER FEED
CN / 10 WHT	INVERTER	GROUND
CP / 12 WHT	INVERTER CHASSIS	GROUND
CR / 16 WHT	VEHICLE CHECK ENGINE LAMP CIRCUIT	CHECK ENGINE LAMP
CS / 16 WHT	REMOTE THERMOSTAT (RC TERM/ORG EXPORT AIR)	GROUND
CT / 16 YEL	DAYTIME RUNNING LAMP MODULE OUTPUT(PIN 30)	LOW BEAM HEADLAMP CIRCUIT
CU / 16 YEL	DAYTIME RUNNING LAMP MODULE ENABLE(PIN 85)	RUN/START CIRCUIT
CW / 14 YEL	DAYTIME RUNNING LAMP MODULE POWER(PIN 87A)	CHASSIS BATTERY POWER
CX / 16 WHT	DAYTIME RUNNING LAMP MODULE GROUND(PIN 87)	GROUND
CY / 16 YEL	DAYTIME RUNNING LAMP MODULE HIGH BEAM DISABLE(PIN 86)	HIGH BEAM HEADLAMP CIRCUIT
DA / 12 YEL	SHOWER SUMP SYSTEM PUMP SWITCH	SHOWER SUMP SYSTEM PUMP
DB / 12 WHT	SHOWER SUMP SYSTEM PUMP	GROUND
DC / 16 YEL	REAR ROOF AIR CONDITIONER EXHAUST CIRCUIT	THERMOSTAT
DD / 16 YEL	REAR ROOF AIR CONDITIONER COOL CIRCUIT	THERMOSTAT (Y TERM-EXPORT AIR/YEL)
DE / 16 YEL	REAR ROOF AIR CONDITIONER HIGH SPEED FAN CIRCUIT	THERMOSTAT (H TERM-EXPORT AIR/BLU)
DF / 16 YEL	REAR ROOF AIR CONDITIONER LOW SPEED FAN CIRCUIT	THERMOSTAT (G TERM-EXPORT AIR/RED)
DG / 12YEL(GRY)	IGNITION SWITCH	ACCESSORY/RUN FEED
DH / 14 YEL	EMERGENCY SHUTDOWN GAUGE	FUEL SOLENOID (DIESEL ENGINE)
DJ / 16 YEL	TV/RADIO SPEAKER SWITCHING RELAY OUTPUT	LEFT REAR SPEAKER POSITIVE
DK / 16 WHT	TV/RADIO SPEAKER SWITCHING RELAY OUTPUT	LEFT REAR SPEAKER NEGATIVE
DL / 16 YEL	TV/RADIO SPEAKER SWITCHING RELAY OUTPUT	RIGHT REAR SPEAKER POSITIVE
DM / 16 WHT	TV/RADIO SPEAKER SWITCHING RELAY OUTPUT	RIGHT REAR SPEAKER NEGATIVE
DN / 10 YEL	BATTERY DISCONNECT RELAY	CIRCUIT BREAKER SLIDEOUT ROOM CIRCUIT BRKR
DP / 14 YEL	TV/RADIO SPEAKER FEED SELECT SWITCH	TV/RADIO SPEAKER SWITCHING RELAY COIL INPUT OR AMPLIFIER
DR / 16 YEL	HWH WIRING OR KWIKEE FRONT SLIDE MODULE	SLIDEOUT SWITCH (ROOM ONE EXTEND)
DS / 16 WHT	CONTROL MODULE (FRONT SLIDE)(GROUND)	SLIDEOUT SWITCH (FRONT SLIDEOUT)
DT / 16 YEL	SLIDEOUT ROOM RELAY (PIN 30)	SLIDEOUT ROOM CONTROL SWITCH

WIRE IDENTIFICATION CHART

CODE / COLOR	FROM:	TO:
DU / 16 YEL	HWH WIRING OR KWIKEE FRONT SLIDE MODULE	SLIDEOUT SWITCH (ROOM ONE RETRACT)
DW / 16 WHT	SLIDEOUT ROOM SWITCH (G) (SWITCHED GROUND TO PUMP)	HWH WIRING (SWITCHED GROUND TO PUMP)
DX / 16 WHT	HWH WIRING (G) (GROUND)	SLIDEOUT ROOM SWITCH (GROUND)
DY / 16 WHT	HWH WIRING (G) (JACK SENSE; SWITCHED GROUND)	SLIDEOUT ROOM RELAY (JACK SENSE; SWITCHED GROUND)
EA / 16 YEL	HWH WIRING (G) (ACCESSORY POWER)	SLIDEOUT ROOM RELAY (ACCESSORY POWER)
EB / 16 YEL	SLIDEOUT ROOM RELAY (G) (SWITCHED ACCESSORY POWER)	FRT/RR SLIDEOUT ROOM SWITCH (SWITCHED EXTEND/RETRACT PWR)
EC / 10 YEL	CHASSIS BATTERY POWER SOURCE (BATTERY MODE SOLENOID POST)	THRU FUSE TO AMP SOURCE SELECT RELAY(PIN 87)(OPTION 21V,95 Q
ED / 10 YEL	COACH BATTERY POWER SOURCE (BATTERY MODE SOLENOID POST)	THRU FUSE TO AMP SOURCE SELECT RELAY(PIN 87A)(OPTION 21V,95Q
EE / 16 YEL	AIR RIDE SUSPENSION LEFT DOWN SWITCH POSITION	AIR RIDE SUSPENSION LEFT HEIGHT CONTROL BOX
EF / 16 YEL	AIR RIDE SUSPENSION LEFT UP SWITCH POSITION	AIR RIDE SUSPENSION LEFT HEIGHT CONTROL BOX
EG / 16 WHT	AIR RIDE SUSPENSION WIRE ASM GROUND	AIR RIDE SUSPENSION CONTROL LAMP GROUNDS
EH / 16 YEL	AIR RIDE SUSPENSION RIGHT DOWN SWITCH POSITION	AIR RIDE SUSPENSION RIGHT HEIGHT CONTROL BOX
EJ / 16 YEL	AIR RIDE SUSPENSION RIGHT UP SWITCH POSITION	AIR RIDE SUSPENSION RIGHT HEIGHT CONTROL BOX
EK / 16 YEL	AIR RIDE SUSPENSION AUTO MODE SWITCH POSITION	AIR RIDE SUSPENSION HEIGHT CONTROL BOXES
EL / 16 YEL	RUN ONLY POWER	AIR RIDE SUSPENSION AUTO/MANUAL MODE SWITCH
EM / 16 YEL	AIR RIDE SUSPENSION COMPRESSOR	COMPRESSOR ON WARNING LAMP
EN / 16 YEL	AIR RIDE SUSPENSION MANUAL MODE SWITCH POSITION	LEVEL CONTROL SWITCHES AND INDICATOR LAMP
EP / 14 YEL	OVERCURRENT PROTECTION (15A BREAKER TYPICAL)	SPOTLAMP
ER / 16 YEL	OVERCURRENT PROTECTION (6A BREAKER TYPICAL)	ELECTRIC STEP KILL SWITCH
ES / 16 YEL	ELECTRIC STEP KILL SWITCH	ELECTRIC STEP
ET / 16 YEL	OVERCURRENT PROTECTION (6A BREAKER TYPICAL)	REFRIGERATOR (2 WAY)
EU / 16 WHT	REFRIGERATOR (2 WAY)	GROUND
EW / 14 YEL	FUEL HEATER SWITCH	FUEL HEATER (DIESEL ENGINE)
EX / 14 YEL	TELEVISION POWER SWITCH	TELEVISION WALL PLATE
EY / 12YELLTBLU	OVERCURRENT PROTECTION (16GA FUSELINK TYPICAL)	IGNITION SWITCH FEED #2
FA / 14 YEL	DRIVER'S DOOR PASSENGER SIDE POWER WINDOW SWITCH(DOWN,PIN2)	PASSENGER'S POWER WINDOW SWITCH(PIN 2)
FB / 14 YEL	DRIVER'S DOOR PASSENGER SIDE POWER WINDOW SWITCH(UP,PIN 4)	PASSENGER'S POWER WINDOW SWITCH(PIN 4)
FC / 14 YEL	PASSENGER'S DOOR POWER WINDOW SWITCH(DOWN,PIN 1)	PASSENGER'S DOOR POWER WINDOW MOTOR(DOWN)
FD / 14 YEL	PASSENGER'S DOOR POWER WINDOW SWITCH(UP,PIN 5)	PASSENGER'S DOOR POWER WINDOW MOTOR(UP)
FG / 10 YEL	AMPLIFIER POWER SOURCE SELECT RELAY (PIN 30)	AMPLIFIER POWER FEED (DELUXE SOUND SYSTEM,95 LUXOR)
FH / 10 WHT	AMPLIFIER (DELUXE SOUND SYSTEM,95 LUXOR)	GROUND
FJ / 12 YEL	WATER PUMP SWITCH #2 (THREE SWITCH SYSTEM)	WATER PUMP SWITCH #1 (THREE SWITCH SYSTEM)
FK / 12 YEL	WATER PUMP SWITCH #2 (THREE SWITCH SYSTEM)	WATER PUMP SWITCH #1 (THREE SWITCH SYSTEM)
FL / 14 YEL	SECOND PORCH LAMP SWITCH	SECOND PORCH LAMP

WIRE IDENTIFICATION CHART

CODE / COLOR	FROM:	TO:
FM / 14 WHT	SOLENOID MOUNTING BOLT	GROUND
FN / 16 YEL	SOURCE SELECTOR SWITCH (DELUXE SOUND SYSTEM,95 LUXOR)	AMP & EQUALIZER REMOTE TRIGGER (DELUXE SOUND SYSTEM,95 LUXOR
FP / 16 YEL	EXHAUST BRAKE SWITCH (DIESEL PUSHER CHASSIS)	CHASSIS EXHAUST BRAKE HARNESS & BRAKE ON DASH INDICATOR LAM
FR / 14 YEL	FORD RUN/ACCESSORY IGNITON CIRCUIT(WHT/PUR,10A FUSED)	DOCKING LAMPS, RELAY TRIGGER, REAR MONITOR CAMERA FEED
FS / 14 YEL	DOCKING LAMPS RELAY(PIN 87)	DOCKING LAMPS
FT / 14 WHT	DOCKING LAMPS	GROUND
FU / 14 YEL	AUTOMOTIVE AIR WIRING	FORD A/C COMPRESSOR CLUTCH SWITCH CIRCUIT
FW / 14 YEL	DOCKING LAMPS SWITCH	DOCKING LAMPS RELAY(PIN 30)
FX / 12 YEL	OVERCURRENT PROTECTION (30A BRKR OR FUSE)	POWER DRIVER SEAT (I.E.,6 WAY)
FY / 12 WHT	POWER DRIVER SEAT (I.E.,6 WAY)	GROUND
GA / 14 YEL	WATER SYSTEM WINTERIZATION SWITCH	WINTERIZATION VALVE
GB / 14 YEL	WATER HEATER BYPASS SWITCH	WATER HEATER BYPASS VALVE
GC / 16 YEL	SLIDEOUT ROOM SPDT SWITCH (M) (SWITCHED WIRE)	HWH WIRING (SWITCHED WIRE)
GD / 16 YEL	WIPER CONTROL MODULE	WIPER MOTOR (S TERMINAL)
GE / 16 YEL	SWITCHED DOME LAMP FEED	DOME LAMP
GF / 16 WHT	COMMON REAR CHANNEL SPEAKER RETURN	REAR SPEAKERS
GG / 16 YEL	RADIO REMOTE TRIGGER (DELUXE SOUND OPTION)	SOURCE SELECTOR SWITCH (LUXOR)
GH / 14 WHT	GLOW PLUG WAIT LAMP (DIESEL ENGINE)	ENGINE SENDER
GJ / 16 YEL	COACH BATTERY POWER (UPSTREAM OF DISCONNECT)	LP DETECTOR AND/OR SOLAR PANEL WIRING OVERCURRENT PROTECTION
GK / 14 YEL	AIR HORN SWITCH	CHASSIS HORN
GL / 16 WHT	WATER/HOLDING TANKS LEVEL SENSORS	GROUND
GM / 16 YEL	JET AIR RIDE SUSPENSION PRESSURE SENSORS	CHECK REAR AIR SUSPENSION DASH WARNING LAMP
GN / 16 YEL	REAR TV SPEAKER OUTPUT (POSITIVE)	REAR TV SPEAKER (POSITIVE)
GP / 16 WHT	REAR TV SPEAKER OUTPUT (NEGATIVE)	REAR TV SPEAKER (NEGATIVE)
GR / 14 YEL	THERMOSTATICALLY CONTROLLED ROOF VENT (SEND)	THERMOSTAT (RETURN)
GS / 14 YEL	THERMOSTATICALLY CONTROLLED ROOF VENT (RETURN)	THERMOSTAT (RETURN)
GT / 16 YEL	RADIO POWER SWITCH (MEMORY FEED)	RADIO (MEMORY FEED)
GU / 16 YEL	DEFOG MODULE OUTPUT	DEFOG RELAY, INDICATOR LAMP
GW / 16 WHT	DEFOG SWITCH ON/OFF	DEFOG MODULE ON/OFF
GX / 16/12 WHT	STEP COVER SWITCH (REF AAA-16/KA-12)	GROUND
GY / 12 YEL	DEFOG RELAY	DEFOG UNIT
HA / 14 YEL	READING LAMPS SWITCH (93 VANS)	READING LAMPS
HB / 14 YEL	"MOOD" LAMPS SWITCH (93 VANS)	"MOOD" LAMPS
HC / 14 YEL	12V POWER SOURCE (93 VANS)	OVERCURRENT PROTECTION (15A FUSE TYPICAL)

WIRE IDENTIFICATION CHART

CODE / COLOR	FROM:	TO:
HD / 14 YEL	SOFA SLIDE MOTOR POSITIVE (94 VANS)	SOFA MONOPLEX CONTROLLER
HE / 14 WHT	SOFA SLIDE MOTOR NEGATIVE (94 VANS)	SOFA MONOPLEX CONTROLLER
HF / 14 YEL	SOFA RECLINE MOTOR POSITIVE (94 VANS)	SOFA MONOPLEX CONTROLLER
HG / 14 WHT	SOFA RECLINE MOTOR NEGATIVE (94 VANS)	SOFA MONOPLEX CONTROLLER
HH / 16 YEL	SOFA MONOPLEX SWITCH (94 VANS)	SOFA MONOPLEX CONTROLLER
HJ / 16 WHT	SOFA MONOPLEX SWITCH (94 VANS)	GROUND
HK / 14 WHT	SOFA MONOPLEX CONTROLLER (94 VANS)	GROUND
HL / 14 YEL	FLOOD LAMP SWITCH (94 VANS)	FLOOD LAMP
HM / 16 YEL	REAR TV SPEAKER OUTPUT (POSITIVE)	REAR TV SPEAKER (POSITIVE)
HN / 16 WHT	REAR TV SPEAKER OUTPUT (NEGATIVE)	REAR TV SPEAKER (NEGATIVE)
HP / 16 YEL	OVERCURRENT PROTECTION (94 VANS)	REAR AC
HR / 14 YEL	SWITCH (94 1200 MODEL VAN)	12VOLT RECEPTACLE
HS / 16 YEL	SOLAR PANEL (1HS INDICATOR TO BATTERY)	COACH BATTERY THRU OVERCURRENT PROTECTION
HT / 16 WHT	SOLAR PANEL (1HT INDICATOR TO GROUND)	GROUND
HU / 16 YEL	GENERATOR SWITCH (LED)	GENERATOR (POSITIVE SIGNAL)
HW / 16 YEL	LICENSE PLATE LAMP FEED	LICENSE PLATE LAMP
HX / 16 YEL	CHASSIS CLEARANCE LAMP CRT #2	CLEARANCE/MARKER LAMPS
HY / 12 WHT	DEFOG UNIT	GROUND
JA / 14 YEL	OVERCURRENT PROTECTION (15A FUSE/BREAKER TYPICAL)	WATER PUMP, MONITOR PANEL, ETC ("CLEAN CIRCUIT", REF JP)
JB / 14 YEL	OVERCURRENT PROTECTION (15A FUSE/BREAKER TYPICAL)	FURNACE, ROOF VENT, ETC (REF JM)
JC / 14 YEL	OVERCURRENT PROTECTION (15A FUSE/BREAKER TYPICAL)	COACH LIGHTING, ETC CIRCUIT #1 (REF NC)
JD / 14 YEL	OVERCURRENT PROTECTION (15A FUSE/BREAKER TYPICAL)	COACH LIGHTING, ETC CIRCUIT #2 (REF ND)
JE / 14 YEL	OVERCURRENT PROTECTION (15A FUSE/BREAKER TYPICAL)	COACH LIGHTING, ETC CIRCUIT #3 (REF NE)
JF / 14 YEL	OVERCURRENT PROTECTION (15A FUSE/BREAKER TYPICAL)	COACH LIGHTING, ETC CIRCUIT #4 (REF NF)
JG / 14 YEL	OVERCURRENT PROTECTION (15A FUSE/BREAKER TYPICAL)	COACH LIGHTING, ETC (ALT CLEAN) CIRCUIT #5 (REF JN)
JH / 14 YEL	MAIN FURNACE (12V POWER)	MAIN FURNACE THERMOSTAT
JJ / 14 YEL	MAIN FURNACE (HEAT)	MAIN FURNACE THERMOSTAT
JK / 14 YEL	AUXILIARY FURNACE	AUXILIARY FURNACE THERMOSTAT
JL / 14 YEL	AUXILIARY FURNACE	AUXILIARY FURNACE THERMOSTAT
JM / 14 WHT	MAIN FURNACE	GROUND
JN / 14 WHT	COACH LIGHTING CIRCUIT #5 (REF JG)	GROUND (ALTERNATE CLEAN CIRCUIT FOR LINEAR CONVERTER)
JP / 14 WHT	"CLEAN CIRCUIT" DEVICES (REF JA)	GROUND
JR / 16 YEL	MONITOR PANEL	LP TANK #2 LEVEL SENSOR
JS / 12 YEL	MONITOR PANEL WATER PUMP SWITCH	WATER PUMP

08/29/09
REPORT 3593-1

WIRE IDENTIFICATION CHART

CODE / COLOR	FROM:	TO:
JT / 16 YEL	MONITOR PANEL	LP TANK #1 LEVEL SENSOR
JU / 14 YEL	MONITOR PANEL WATER HEATER SWITCH	WATER HEATER (BLU)
JW / 14 YEL	MONITOR PANEL WATER HEATER SWITCH	WATER HEATER (BRN)
JX / 14 WHT	WATER HEATER	GROUND
JY / 12 WHT	WATER PUMP	GROUND
KA / 12 YEL	OVERCURRENT PROTECTION (25A BREAKER TYPICAL)	ELECTRIC STEP BATTERY POWER
KB / 10 YEL	OVERCURRENT PROTECTION (25A BREAKER TYPICAL)	ELECTRIC STEP KILL SWITCH (OLD STEP WIRING STYLE)
KC / 10 YEL	ELECTRIC STEP KILL SWITCH (OLD STEP WIRING STYLE)	ELECTRIC STEP
KD / 18 WHT	ELECTRIC STEP DOOR JAMB SWITCH	ELECTRIC STEP
KE / 14 YEL	RUN ONLY POWER SOURCE	GENERAL PURPOSE(RELAY TRIGGER, REAR AUTO HTR,DRL,MONITOR,ETC
KF / 16 WHT	COACH BATTERY DISCONNECT RELAY SWITCH	GROUND
KG / 14 YEL	POWER LIFT VENT (BLU)	POWER LIFT SWITCH(UP)
KH / 14 YEL	POWER LIFT VENT (RED)	POWER LIFT SWITCH(DOWN)
KJ / 14 YEL	POWER LIFT VENT (BLK)	FAN SWITCH
KK / 18 YEL	REAR STEREO	RIGHT SPEAKER (POSITIVE)
KL / 18 WHT	REAR STEREO	RIGHT SPEAKER (NEGATIVE)
KM / 14 YEL	POWER LIFT VENT LAMP	LAMP SWITCH
KN / 18 YEL	REAR STEREO	LEFT SPEAKER (POSITIVE)
KP / 18 WHT	REAR STEREO	LEFT SPEAKER (NEGATIVE)
KR / 14 WHT	REAR STEREO ANTENNA	GROUND
KS / 14 YEL	REAR AUTO HEATER SWITCH (HIGH SPEED)	REAR AUTO HEATER
KT / 14 YEL	REAR AUTO HEATER SWITCH (MEDIUM SPEED)	REAR AUTO HEATER
KU / 14 YEL	REAR AUTO HEATER SWITCH (LOW SPEED)	REAR AUTO HEATER
KW / 18 YEL	DASH RADIO	RIGHT FRONT SPEAKER (POSITIVE)
KX / 18 YEL	DASH RADIO	RIGHT REAR SPEAKER (POSITIVE)
KY / 18 YEL	DASH RADIO	LEFT FRONT SPEAKER (POSITIVE)
LA / 18 YEL	DASH RADIO	LEFT REAR SPEAKER (POSITIVE)
LB / 18 WHT	DASH RADIO	RIGHT REAR SPEAKER (NEGATIVE)
LC / 18 WHT	DASH RADIO	LEFT REAR SPEAKER (NEGATIVE)
LD / 14 YEL	IGNITION SWITCH ACCESSORY POWER SOURCE	GENERAL PURPOSE(AUX FANS,RELAY TRIGGER,ETC.)
LE / 14 YEL	AUXILIARY DEFROST FANS SWITCH (HIGH SPEED)	AUXILIARY DEFROST FANS (BLK)
LF / 14 YEL	AUXILIARY DEFROST FANS SWITCH (LOW SPEED)	AUXILIARY DEFROST FANS (RED)
LG / 16 YEL	COACH BATTERY DISCONNECT RELAY (TERMINAL I)	COACH BATTERY DISCONNECT RELAY SWITCH
LH / 16 YEL	COACH BATTERY DISCONNECT RELAY (TERMINAL S)	COACH BATTERY DISCONNECT RELAY SWITCH

WIRE IDENTIFICATION CHART

CODE / COLOR	FROM:	TO:
LJ / 16 YEL	COACH BATTERY DISCONNECT RELAY BATTERY SIDE FUSE FEED	COACH BATTERY DISCONNECT RELAY SWITCH
LK / 16 YEL	COACH BATTERY DISCONNECT RELAY LOAD SIDE FUSE FEED	COACH BATTERY DISCONNECT RELAY SWITCH/INDICATOR LAMP
LL / 16 WHT	GENERATOR SWITCH (START)	GENERATOR (RED)
LM / 16 WHT	GENERATOR SWITCH (STOP)	GENERATOR (ORN)
LN / 16 WHT	GENERATOR SWITCH/INDICATOR (GROUND)	GENERATOR (GRN)
LP / 16 YEL	GENERATOR SWITCH/INDICATOR (RUN)	GENERATOR (BLU)
LR / 14 YEL	BATTERY MODE SWITCH (AUX START SWITCH)	BATTERY MODE SOLENOID (AUX START SOLENOID)
LS / 12 YEL	OVERCURRENT PROTECTION 20A BREAKER TYPICAL,COACH FEED	GENERAL PURPOSE(BATTERY MODE, RADIO POWER,BATTERY CONDITION
LT / 16 YEL	BATTERY CONDITION SWITCH	VOLTMETER (POWER FEED)
LU / 14 YEL	CHASSIS BRAKE LAMP CIRCUIT	VEHICLE BRAKES, TAG AXLE CONTROL MODULE,ETC.
LW / 14 YEL	WIPER CONTROL MODULE (PARK)	WINDSHIELD WIPER MOTOR (FRONT)
LX / 14 YEL	WIPER CONTROL MODULE (LOW SPEED)	WINDSHIELD WIPER MOTOR (FRONT)
LY / 14 YEL	WIPER CONTROL MODULE (HIGH SPEED)	WINDSHIELD WIPER MOTOR (FRONT)
MA / 14 YEL	WIPER CONTROL MODULE (WASHER BOTTLE PUMP)	WINDSHIELD WASHER BOTTLE PUMP (FRONT)
MB / 14 YEL	CHASSIS WINDSHIELD WIPER FEED CIRCUIT	OVERCURRENT PROTECTION (6A BREAKER TYPICAL)
MC / 16 WHT	INSTRUMENT PANEL LAMPS	GROUND
MD / 14 YEL	OVERCURRENT PROTECTION (15A BREAKER TYPICAL)	REMOTE MIRROR RELAY/POWER WINDOW FEED
ME / 14 YEL	OVERCURRENT PROTECTION (15A BREAKER TYPICAL)	AIR HORN RELAY FEED/ MARKER LAMPS RELAY FEED
MF / 14 YEL	OVERCURRENT PROTECTION (15A BREAKER TYPICAL)	FOG LAMP RELAY FEED/ SPOT LAMP FEED
MG / 14 WHT	GENERAL PURPOSE(RELAYS,DASH DEVICES,ETC.)	GROUND
MH / 16 WHT	CHASSIS CHOKE LAMP INDICATOR CIRCUIT	CHOKE LAMP
MJ / 14 YEL	CHASSIS WINDSHIELD WIPER FEED CIRCUIT	WIPER CONTROL MODULE (POWER FEED)
MK / 14 YEL	CHASSIS BATTERY POWER FEED CIRCUIT	GENERAL PURPOSE(CIGAR LIGHTER, DOME/COURTESY LAMPS,ETC)
ML / 16 YEL	CHASSIS INSTRUMENT PANEL LAMPS FEED CIRCUIT	INSTRUMENT PANEL LAMPS
MM / 14 YEL	CHASSIS CLEARANCE LAMP CRT #1 (BRN TYPICAL)	CLEARANCE/MARKER LAMPS
MN / 14 WHT	DOME LAMP SWITCHED GROUND	DOME LAMP SWITCH(DOOR JAMB, INSTRUMENT PANEL SWITCH,ETC)
MP / 18/16 WHT	ELEC STEP DOOR JAMB SWITCH, LP TANK SENDER, ETC	GROUND
MR / 14 YEL	REAR WINDOW WIPER SWITCH (LOW SPEED)	REAR WINDOW WIPER MOTOR (LOW SPEED)
MS / 14 WHT	CLEARANCE/MARKER LAMPS	GROUND
MT / 8 WHT	ELECTRIC STEP	GROUND
MU / 14 WHT	GENERAL PURPOSE(CIGAR LIGHTER, DOME LAMPS,12 V OUTLETS,ETC)	GROUND
MW / 16 YEL	VEHICLE CHECK ENGINE LAMP CIRCUIT	CHECK ENGINE LAMP
MX / 16 YEL	WINDSHIELD WIPER SWITCH	WIPER RELAY
MY / 14 YEL	VEHICLE HEADLAMP FEED CIRCUIT	DIMMER MODULE

WIRE IDENTIFICATION CHART

CODE / COLOR	FROM:	TO:
NA / 14 YEL	VEHICLE HEADLAMP LOW BEAM CIRCUIT	DIMMER MODULE
NB / 14 YEL	VEHICLE HEADLAMP HIGH BEAM CIRCUIT	DIMMER MODULE
NC / 14 WHT	COACH LIGHTING CIRCUIT #1 (REF JC)	GROUND
ND / 14 WHT	COACH LIGHTING CIRCUIT #2 (REF JD)	GROUND
NE / 14 WHT	COACH LIGHTING CIRCUIT #3 (REF JE)	GROUND
NF / 14 WHT	COACH LIGHTING CIRCUIT #4 (REF JF)	GROUND
NG / 14 YEL	FOG LAMPS SWITCH (OR LEFT FOG LAMP FEED)	FOG LAMPS RELAY (OR LEFT FOG LAMP)
NH / 14 YEL	FOG LAMPS RELAY (OR RIGHT FOG LAMP FEED)	FOG LAMPS (OR RIGHT FOG LAMP)
NJ / 16 YEL	CHASSIS HORN FEED CIRCUIT	AIR HORN SWITCH
NK / 14 YEL	AIR HORN SWITCH	AIR HORN AIR TANK AIR RELEASE VALVE
NL / 14 YEL	AR HORN RELAY	AIR HORN AIR COMPRESSOR
NM / 14 YEL	OVERCURRENT PROTECTION (15A FUSE TYPICAL)	COACH LIGHTING CIRCUIT #6 (REF PM)
NN / 16 YEL	LEFT POWER MIRROR MOTOR (HORIZONTAL CONTROL, YEL)	POWER MIRROR CONTROL SWITCH
NR / 16 YEL	LEFT POWER MIRROR (VERTICAL CONTROL, WHT)	POWER MIRROR CONTROL SWITCH
NS / 14 YEL	POWER MIRROR HEATER SWITCH	POWER MIRRORS (RED)
NT / 14 YEL	POWER MIRROR RELAY	POWER MIRROR CONTROL SWITCH
NU / 14 YEL	aisle LAMPS SWITCH #1	aisle LAMPS SWITCH #2
NW / 14 YEL	FRONT COMPARTMENT LAMPS SWITCH	COMPARTMENT LAMPS
NX / 14 YEL	INTERSTATE COMMERCE COMMITTEE COURTESY BLINK SWITCH	CLEARANCE LAMPS
NY / 14 YEL	aisle LAMPS SWITCH #1	aisle LAMPS SWITCH #2
PA / 14 WHT	REAR AUTO HEATER	GROUND
PB / 14 WHT	REAR WINDOW WIPER MOTOR	GROUND
PC / 14 YEL	BEDROOM CEILING LAMP SWITCH	BEDROOM CEILING LAMP
PD / 14 YEL	MAKE UP LAMP #1 SWITCH	MAKE UP LAMP #1
PE / 14 YEL	BATH CEILING LAMP SWITCH	BATH CEILING LAMP
PF / 14 YEL	SHOWER LAMP SWITCH WIRE D WAS FIRST USED ON C'S	SHOWER LAMP
PG / 14 YEL	WARDROBE LAMP SWITCH	WARDROBE LAMP
PH / 14 YEL	aisle LAMPS SWITCH	aisle LAMPS
PJ / 14 YEL	PORCH LAMP SWITCH	PORCH LAMP
PK / 14 YEL	STRIP LAMP SWITCH	STRIP LAMP
PL / 14 YEL	FRONT CEILING LAMP SWITCH	FRONT CEILING LAMP
PM / 14 WHT	COACH LIGHTING CIRCUIT #6 (REF NM)	GROUND
PN / 16 WHT	RIGHT POWER MIRROR (COMMON, BLK)	POWER MIRROR CONTROL SWITCH
PP / 16 YEL	RIGHT POWER MIRROR (HORIZONTAL CONTROL, YEL)	POWER MIRROR CONTROL SWITCH

WIRE IDENTIFICATION CHART

CODE / COLOR	FROM:	TO:
PR / 16 YEL	RIGHT POWER MIRROR (VERTICAL CONTROL,WHT)	POWER MIRROR CONTROL SWITCH
PS / 14 YEL	MAP LAMP SWITCH	MAP LAMP
PT / 14 YEL	BEVERAGE TRAY LAMP SWITCH	BEVERAGE TRAY LAMP
PU / 14 YEL	DUMP LAMP SWITCH	DUMP LAMP
PW / 14 YEL	OVERCURRENT PROTECTION (15A BREAKER TYPICAL)	POWER DOOR LOCK/UNLOCK RELAY (PIN 30)
PX / 16 YEL	POWER DOOR LOCK SWITCH (LOCK) (PIN 1)	POWER DOOR LOCK RELAY (PIN 86)
PY / 16 YEL	POWER DOOR LOCK SWITCH (UNLOCK) (PIN 5)	POWER DOOR UNLOCK RELAY (PIN 86)
RA / 14 YEL	VEHICLE LEFT FRONT TURN SIGNAL CIRCUIT	LEFT FRONT TURN SIGNAL/MARKER LAMP
RB / 14 YEL	VEHICLE RIGHT FRONT TURN SIGNAL CIRCUIT	RIGHT FRONT TURN SIGNAL/MARKER LAMP
RC / 14 WHT	FRONT AUTOMOTIVE LAMPS(TURN, MARKER,ETC)	GROUND
RD / 14 YEL	OVERCURRENT PROTECTION (15 A FUSE TYPICAL)	HAZARD FLASHER, HORN RELAY
RE / 12 YEL	RADIATOR FAN RELAY#1 (COMMON)	RADIATOR FAN #1
RF / 12 YEL	RADIATOR FAN RELAY #2 (COMMON)	RADIATOR FAN #2
RG / 14 WHT	RADIATOR FAN THERMOSTAT SWITCH	RADIATOR FAN RELAYS (COILS,TRIGGER)
RH / 12YEL(BLK)	OVERCURRENT PROTECTION (25A BREAKER TYPICAL)	RADIATOR FAN RELAY #1 (NORMALLY OPEN)
RJ / 12YEL(BLK)	OVERCURRENT PROTECTION (25A BREAKER TYPICAL)	RADIATOR FAN RELAY #2 (NORMALLY OPEN)
RK / 12 WHT	RADIATOR FAN #1	GROUND
RL / 12 WHT	RADIATOR FAN #2	GROUND
RM / 14 WHT	VEHICLE IGNITION SWITCH GROUND DURING START CIRCUIT	BULB CHECK(LOW TAG AIR,PARK BRAKE,ETC)
RN / 14 YEL	AUTOMOTIVE AIR CONDITIONER THERMOSTAT CUTOFF SWITCH	AUTOMOTIVE AIR CONDITIONER COMPRESSOR CLUTCH
RP / 14 YEL	AUTOMOTIVE AIR CONDITIONER COOLANT FAN CONTROL	COOLANT FAN RELAY
RR / 14 YEL	BRAKE LAMP SWITCH	TURN SIGNAL SWITCH
RS / 14 YEL	HEADLAMP SWITCH INSTRUMENT PANEL LAMP FEED SWITCH	OVERCURRENT PROTECTION (5A FUSE TYPICAL)
RT / 14 YEL	HORN RELAY (COMMON)	HORN
RU / 14 YEL	HORN RELAY (COIL)	HORN SWITCH
RW / 14 YEL	HAZARD FLASHER	TURN SIGNAL SWITCH
RX / 14 YEL	EUL WARNING LAMP	EUL MODULE
RY / 14 WHT	INSTRUMENT CLUSTER/ EUL MODULE	GROUND
SA / 14 YEL	ENGINE WATER TEMPERATURE SENDER	ENGINE WATER TEMPERATURE GAUGE
SB / 14 YEL	ENGINE OIL PRESSURE SENDER	ENGINE OIL PRESSURE GAUGE
SC / 14 YEL	VEHICLE RIGHT REAR TURN SIGNAL/BRAKE LAMP CIRCUIT	RIGHT REAR TURN SIGNAL/ BRAKE LAMPS
SD / 14 YEL	VEHICLE LEFT REAR TURN SIGNAL/BRAKE LAMP CIRCUIT	LEFT REAR TURN SIGNAL/ BRAKE LAMPS
SE / 16YEL(WHT)	SPEED SENSOR (TWISTED PAIR)	SPEEDOMETER AND SPEED CONTROL MODULE
SF / 16WHT(BLK)	SPEED SENSOR (TWISTED PAIR)	SPEEDOMETER AND SPEED CONTROL MODULE

WIRE IDENTIFICATION CHART

CODE / COLOR	FROM:	TO:
SG / 14 YEL	IGNITION SWITCH START FEED	GENERAL(NEUTRAL SAFETY SWITCH, FUEL PUMP RELAY COIL,ETC)
SH / 14 YEL	IGNITION SWITCH RUN/START FEED	GENERAL(IGNITION COIL RELAY NORMALLY OPEN CONTACT,ETC)
SJ / 12/10 YEL	OVERCURRENT PROTECTION	CHASSIS BATTERY FEED
SK / 12YEL(WHT)	OVERCURRENT PROTECTION (16GA FUSELINK TYPICAL)	CHASSIS BATTERY HEADLAMP SWITCH FEED #1
SL / 12YEL(BLU)	OVERCURRENT PROTECTION (16GA FUSELINK TYPICAL)	CHASSIS BATTERY IGNITION SWITCH FEED #1
SM / 12YEL(BLK)	OVERCURRENT PROTECTION (16GA FUSELINK TYPICAL)	RADIATOR FAN #1 CIRCUIT BREAKER FEED
SN / 12YEL(BLK)	OVERCURRENT PROTECTION (16GA FUSELINK TYPICAL)	RADIATOR FAN #2 CIRCUIT BREAKER FEED
SP / 14 YEL	HEADLAMP SWITCH MARKER CIRCUIT FEED	OVERCURRENT PROTECTION (15A FUSE TYPICAL)
SR / 12YEL(BRN)	IGNITION SWITCH RUN ONLY FEED	OVERCURRENT PROTECTION (15A FUSE TYPICAL)
SS / 12YEL(WHT)	IGNITION SWITCH ACCESSORY FEED	OVERCURRENT PROTECTION (15A FUSE TYPICAL)
ST / 14 YEL	OVERCURRENT PROTECTION (15A FUSE TYPICAL)	TURNS/BACK UP CIRCUIT FEED
SU /	STARTER SOLENOID BATTERY TERMINAL	ALTERNATOR BATTERY TERMINAL
SW / 14 YEL	TURN SIGNAL FLASHER	TURN SIGNAL SWITCH
SX / 14 YEL	REAR WINDOW WASHER SWITCH	REAR WINDOW WASHER BOTTLE PUMP
SY / 14 YEL	IGNITION COIL	TACHOMETER
TA / 14 YEL	OVERCURRENT PROTECTION (15A FUSE TYPICAL)	IGNITION RUN ONLY GENERAL FEED (RADIATOR FAN RELAY COIL,ETC)
TB / 12 YEL	OVERCURRENT PROTECTION (25A FUSE TYPICAL)	IGNITION RUN ONLY GENERAL FEED (AUTO AC BLOWER(NOT HIGH),ETC)
TC / 14 YEL	OVERCURRENT PROTECTION (15A FUSE TYPICAL)	IGNITION RUN ONLY GENERAL FEED (DOOR LOCKS,REAR WIPER,ETC.)
TD / 14/12YEL	OVERCURRENT PROTECTION	CHASSIS BATTERY GENERAL FEED
TE / 16 WHT	GENERATOR	GENERATOR LOW OIL INDICATOR LAMP
TF / 16 YEL	GENERATOR	GENERATOR LOW OIL INDICATOR LAMP
TG / 16 YEL	TELEVISION	SPEAKER RIGHT (POSITIVE)
TH / 16 WHT	TELEVISION	SPEAKER RIGHT (NEGATIVE)
TJ / 16 YEL	TELEVISION	SPEAKER LEFT (POSITIVE)
TK / 16 WHT	TELEVISION	SPEAKER LEFT (NEGATIVE)
TL / 16 YEL	FRONT RIGHT TV SPEAKER NEGATIVE,SERIES CONNECTION	FRONT LEFT TV SPEAKER POSITIVE,SERIES CONNECTION
TM / 16 WHT	STEP COVER SWITCH	STEP COVER SOLENOID MOVES STEP OUT
TN / 14 YEL	STARTER SOLENOID BATTERY TERMINAL	ALTERNATOR REGULATOR
TP / 14 WHT	REAR AUTOMOTIVE LAMPS(TURN, MARKER,ETC)	GROUND
TR / 14 YEL	VEHICLE BACK UP CIRCUIT FEED	BACK UP LAMPS
TS / 14 YEL	STARTER SOLENOID (I TERMINAL)	ENGINE WIRING (IGNITION MODULE)
TT / 14 YEL	NEUTRAL SAFETY SWITCH	STARTER SOLENOID (S TERMINAL)
TU / 14 WHT	IGNITION COIL RELAY (COIL)	GROUND
TW / 14 YEL	IGNITION SWITCH START/RUN FEED	IGNITION COIL

WIRE IDENTIFICATION CHART

CODE / COLOR	FROM:	TO:
TX / 14 YEL	IGNITION COIL RELAY (COMMON)	IGNITION COIL
TY / 14 YEL	ALTERNATOR (T TERMINAL)	CHOKE HEATER
UA / 14 YEL	FUEL PUMP FUSE	OIL PRESSURE CUTOFF SWITCH/ FUEL PUMP RELAY(NO),ETC
UB / 14 YEL	INERTIA SWITCH (FUEL PUMP SHUTOFF)	FUEL PUMP RELAY (NORMALLY CLOSED)
UC / 14 YEL	FUEL PUMP RELAY (COMMON)	FUEL PUMP
UD / 16 WHT	FUEL GAUGE	FUEL SENDER
UE / 14 YEL	INERTIA SWITCH (FUEL PUMP SHUTOFF)	OIL PRESSURE CUTOFF SWITCH
UF / 14 WHT	FUEL PUMP	GROUND
UG / 14 WHT	FUEL PUMP RELAY (COIL)	GROUND
UH / 16 YEL	LP DETECTOR (SHUTOFF SYSTEM,YEL)	LP SAFETY VALVE
UJ / 16 YEL	LP DETECTOR (SHUTOFF SYSTEM,YEL)	LP SAFETY SWITCH
UK / 16 WHT	LP DETECTOR (BLK)(REF WB)	GROUND
UL / 16 WHT	EUL LAMP	EUL MODULE
UM / 16 WHT	DOOR JAMB DOME LAMP SWITCH	GROUND
UN / 16 WHT	SEAT BELT LAMP	EUL MODULE
UP / 16 YEL	SEAT BELT LAMP	SEAT BELT BUZZER
UR / 16 WHT	PARK BRAKE SWITCH	PARK BRAKE LAMP
US / 16 YEL	OVERCURRENT PROTECTION (6A BREAKER TYPICAL)	COACH BATTERY FEED TO BATTERY CONDITION SWITCH
UT / 14 YEL	DOOR JAMB DOME LAMP SWITCH (SWITCH POSITIVE)	DOME LAMP
UU / 16 YEL	WATER HEATER	VACUUM VALVE SOLENOID
UW / 16 WHT	VACUUM VALVE SOLENOID	GROUND
UX / 16 YEL	LP DETECTOR #2 (SHUTOFF SYSTEM,YEL)	LP SAFETY VALVE
UY / 16 YEL	LP DETECTOR #2 (SHUTOFF SYSTEM,YEL)	LP SAFETY VALVE
WA / 14 YEL	EXTERIOR SERVICE LAMP SWITCH	EXTERIOR SERVICE LAMP
WB / 16 YEL	OVERCURRENT PROTECTION (6A BREAKER TYPICAL)	LP DETECTOR (REF UK)
WC / 14 YEL	DDVRCURRENT PROTECTION (15A BREAKER TYPICAL)	COMPARTMENT LAMPS (REF WE)
WD / 14 WHT	AISLE LAMPS	GROUND
WE / 14 WHT	COMPARTMENT LAMPS (REF WC)	GROUND
WF / 12YEL(WHT)	OVERCURRENT PROTECTION (30A BREAKER TYPICAL)	PARK BRAKE COMPRESSOR SOENOID
WG / 12YEL(BLK)	OVERCURRENT PROTECTION (30A BREAKER TYPICAL)	IGNITION RELAY
WH / 14 YEL	OVERCURRENT PROTECTION (15A BREAKER TYPICAL)	IGNITION SWITCH RUN ONLY FEED
WJ / 12 YEL	OVERCURRENT PROTECTION (20A BREAKER TYPICAL)	IGNITION SWITCH ACCESSORY FEED RELAY
WK / 14 YEL	OVERCURRENT PROTECTION (15A BREAKER TYPICAL)	IGNITION SWITCH ACCESSORY FEED
WL / 14 YEL	POWER DOOR LOCK RELAY (PIN 30)	POWER DOOR LOCK MOTOR(S) (LOCK)

08/29/09
REPORT 3593-1

WIRE IDENTIFICATION CHART

CODE / COLOR	FROM:	TO:
WM / 14 WHT	POWER DOOR UNLOCK RELAY (PIN 30)	POWER DOOR LOCK MOTOR(S) (UNLOCK)
WN / 16 YEL	RADIO POWER SWITCH (ACCESSORY POWER)	DASH RADIO (ACCESSORY POWER)
WP / 10 YEL	OVERCURRENT PROTECTION (25A BREAKER TYPICAL)	FRONT PANEL LOADS(INVERTER, RADIO)(96 M-SERIES)
WR / 14 YEL	OVERCURRENT PROTENTION (15A BREAKER TYPICAL)	POWER SEAT LIFT SWITCH
WS / 14 WHT	POWER SEAT LIFT SWITCH	GROUND
WT / 14 YEL	POWER SEAT LIFT SWITCH (UP)	MOTOR (POSITIVE UP)
WU / 14 WHT	POWER SEAT LIFT SWITCH (DOWN)	MOTOR (POSITIVE DOWN)
WW / 14 WHT	SPOT LAMP SWITCH	GROUND
WX / 14 YEL	HALLWAY CEILING LAMP SWITCH	HALLWAY CEILING LAMP
WY / 10 WHT	AUTOMOTIVE AIR CONDITIONER MOTOR	GROUND
XA / 12/10 YEL	VEHICLE AUTOMOTIVE AIR FEED CIRCUIT	AUTOMOTIVE AIR CONDITIONER BLOWER (USE 10 IF OVER 6')
XB / 14 YEL	DRIVER'S DOOR POWER WINDOW SWITCH(PIN 5)	DRIVER'S DOOR POWER WINDOW MOTOR(POSITIVE UP)
XC / 14 WHT	DRIVER'S DOOR POWER WINDOW SWITCH(PIN 1)	DRIVER'S DOOR POWER WINDOW MOTOR(POSITIVE DOWN)
XD / 16 WHT	MONITOR PANEL	HOLDING TANK LEVEL SENSOR (FULL)
XE / 16 WHT	MONITOR PANEL	HOLDING TANK LEVEL SENSOR (3/4)
XF / 16 WHT	MONITOR PANEL	HOLDING TANK LEVEL SENSOR (1/2)
XG / 16 WHT	MONITOR PANEL	HOLDING TANK LEVEL SENSOR (1/4)
XH / 16 YEL	KONITOR PANEL	WATER TANK LEVEL SENSOR
XJ / 16 YEL	MONITOR PANEL	BLACK HOLDING LEVEL SENSOR (MAIN TANK)
XK / 16 YEL	MONITOR PANEL	GRAY AUXILIARY HOLDING TANK #1 LEVEL SENSOR (AUX TANK #1)
XL / 16 YEL	MONITOR PANEL	GRAY AUXILIARY HOLDING TANK #2 LEVEL SENSOR (AUX TANK #2)
XM / 14 YEL	OVERCURRENT PROTECTION (18GA FUSELINK TYPICAL)	IGNITION START RELAY
XN / 16 YEL	FRONT ROOF AIR CONDITIONER (EXHAUST)	THERMOSTAT (EX TERMINAL)
XP / 16 YEL	FRONT ROOF AIR CONDITIONER (COOL)	THERMOSTAT (Y TERMINAL)(Y EXPORT AIR)
XR / 16 YEL	FRONT ROOF AIR CONDITIONER (HIGH SPEED BLOWER)	THERMOSTAT (GH TERMINAL)(H EXPORT AIR)
XS / 16 YEL	FRONT ROOF AIR CONDITIONER (LOW SPEED BLOWER)	THERMOSTAT (GL TERMINAL)(G EXPORT AIR)
XT / 14 YEL	IGNITION START RELAY #1 (NORMALLY CLOSED CONTACT)	IGNITION START RELAY #2 (COMMON CONTACT)
XU / 14 YEL	DINETTE OVHD LAMP SWITCH	DINETTE OVHD LAMP
XW / 14 WHT	IGNITION SWITCH ACCESSORY FEED RELAY CIRCUIT	GROUND
XX / 14 YEL	GALLEY LAMP SWITCH	GALLEY LAMP
XY / 14 YEL	MAKE UP LAMP #2 SWITCH	MAKE UP LAMP #2
YA / 14 YEL	TAG AXLE PRESSURE CONTROL SWITCH	COMPRESSOR SOLENOID/ SOLENOID AIR VALVE
YB / 14 WHT	LOW AIR PRESSURE SWITCH	GROUND
YC / 10YEL(BLU)	OVERCURRENT PROTECTION (30A BREAKER TYPICAL)	TAG AXLE COMPRESSOR SOLENOID

WIRE IDENTIFICATION CHART

CODE / COLOR	FROM:	TO:
YD / 14 WHT	TAG AXLE MOUNTING PLATE SCREW	GROUND
YE / 10 WHT	TAG AXLE COMPRESSOR	GROUND
YF / 12 WHT	TAG AXLE BRAKE CONTROL MODULE/BRAKE MAGNET	GROUND
YG / 12YEL(BLK)	OVERCURRENT PROTECTION (20A BREAKER TYPICAL)	TAG AXLE BRAKE CONTROL MODULE
YH / 12YEL(BLU)	TAG AXLE BRAKE CONTROL MODULE	TAG AXLE BRAKE MAGNET
YJ / 10YEL(WHT)	TAG AXLE COMPRESSOR SOLENOID	TAG AXLE COMPRESSOR
YK / 14 YEL	BEDROOM CEILING LAMP SWITCH#1 (2 SWITCH SYSTEM)	BEDROOM CEILING LAMP SWITCH #2 (2 SWITCH SYSTEM)
YL / 14 YEL	BEDROOM CEILING LAMP SWITCH #1 (2 SWITCH SYSTEM)	BEDROOM CEILING LAMP SWITCH #2 (2 SWITCH SYSTEM)
YM / 14 YEL	HALLWAY CEILING LAMP SWITCH #1 (2 SWITCH SYSTEM)	HALLWAY CEILING LAMP SWITCH #2 (2 SWITCH SYSTEM)
YN / 14 YEL	HALLWAY CEILING LAMP SWITCH #1 (2 SWITCH SYSTEM)	HALLWAY CEILING LAMP SWITCH #2 (2 SWITCH SYSTEM)
YP / 14 YEL	VALANCE LAMP SWITCH #1 (3 WAY SWITCH)	VALANCE LAMP SWITCH #2 (3 WAY SWITCH)
YR / 14 YEL	VALANCE LAMP SWITCH #1 (3 WAY SWITCH)	VALANCE LAMP SWITCH #2 (3 WAY SWITCH)
YS / 14 YEL	VALANCE LAMP SWITCH	VALANCE LAMP
YT / 14 YEL	FRONT VALANCE LAMP SWITCH	FRONT VALANCE LAMP
YU / 14 YEL	REAR VALANCE LAMP SWITCH	REAR VALANCE LAMP
YW / 14 WHT	DOOR BELL SWITCH	DOOR BELL
YX / 14 YEL	IGNITION SWITCH RUN/START FEED	ALTERNATOR WARNING LAMP
YY / 14 YEL	ALTERNATOR VOLTAGE REGULATOR	ALTERNATOR WARNING LAMP
AAA / 16 WHT	STEP COVER SWITCH (REF GX)	STEP COVER SOLENOID MOVES STEP IN
AAB / 14 YEL	DINETTE READING LAMPS	DINETTE READING LAMP SWITCH
AAC / 14 YEL	LOUNGE READING LAMPS	LOUNGE READING LAMP SWITCH
AAD / 14 YEL	FORD CHASSIS TRAILER MARKER LAMP CIRCUIT (BR/WHT)	TRAILER CONNECTOR SOCKET MARKER LAMPS
AAE / 14 YEL	FORD CHASSIS TRAILER BACKUP LAMP CIRCUIT (BLK/LT GRN)	TRAILER CONNECTOR SOCKET BACKUP LAMPS
AAF / 14 YEL	FORD CHASSIS TRAILER LEFT TURN/BRAKE LAMP CIRCUIT (YEL)	TRAILER CONNECTOR SOCKET LEFT TURN/BRAKE LAMP
AAG / 14 YEL	FORD CHASSIS TRAILER RIGHT TURN/BRAKE LAMP CIRCUIT (DKG)	TRAILER CONNECTOR SOCKET RIGHT TURN/BRAKE LAMP
AAH / 14 YEL	BATH-VENT,POWER	BATH-VENT, THERMOSTAT
AAJ / 14 YEL	BATH-VENT,POWER	BATH-VENT, THERMOSTAT
AAK / 16 WHT	SWITCH-WATER PUMP (MULTIPLEX SYSTEM)	LATCHING RELAY (WITH 4 OR MORE SWITCHES)
AAL / 16 WHT	SWITCH-WATER PUMP (MULTIPLEX SYSTEM)	GROUND
AAM / 14 YEL	CHASSIS SUPPLIED WIRE ASM (DARK BLUE)(GM)	RIGHT TAIL LAMP PARK (WIE)
AAN / 14 YEL	CHASSIS SUPPLIED WIRE ASM (PURPLE) (GM)	LEFT TAIL LAMP PARK (WIE)
AAP / 10 YEL	55 AMP BREAKER JUMPER WIRE	30 AMP BREAKER
AAR / 14 YEL	TV/RADIO SPEAKER FEED SELECTOR SWITCH	TV SPEAKER AMPLIFIER
AAS / 16 YEL	SPEAKER (NEGATIVE) SPEAKERS IN SERIES	SPEAKER (POSITIVE)

WIRE IDENTIFICATION CHART

CODE / COLOR	FROM:	TO:
AAT / 16 YEL	AMPLIFIER POSITIVE OUT (AAU NEGATIVE)	FRONT WOOFER (WITH DELUXE SOUND SYSTEM)
AAU / 16 WHT	AMPLIFIER NEGATIVE OUT (AAT POSITIVE)	FRONT WOOFER (WITH DELUXE SOUND SYSTEM)
AAW / 16 YEL	AMPLIFIER POSITIVE OUT (AAX NEGATIVE)	REAR WOOFER (WITH DELUXE SOUND SYSTEM)
AAX / 16 WHT	AMPLIFIER NEGATIVE OUT (AAW POSITIVE)	REAR WOOFER (WITH DELUXE SOUND SYSTEM)
AAZ / 12 YEL	SLIDEOUT ROOM CONTROL SWITCH (RAM #1)	SLIDEOUT DRIVE MOTOR LEAD #1
AAZ / 12 YEL	SLIDEOUT ROOM CONTROL SWITCH (RAM #1)	SLIDEOUT DRIVE MOTOR LEAD #2
BBA / 16 WHT	SLIDEOUT WIRING (PARK BRAKE SW)(SWITCHED GRD)	SLIDEOUT ROOM RELAY (GROUND TERMINAL)
BBB / 16 YEL	SLIDEOUT ROOM CIRCUIT BREAKER (6 AMP)	SLIDEOUT ROOM RELAY (PIN 86 & 87)
BBC / 16 YEL	LOAD SHEDDER MONITOR PANEL (RED WIRE)	LOAD SHEDDER CONTROL BOARD (RED WIRE)
BBD / 16 YEL	LOAD SHEDDER MONITOR PANEL (BLUE WIRE)	LOAD SHEDDER CONTROL BOARD (BLUE WIRE)
BBE / 16 YEL	LOAD SHEDDER MONITOR PANEL (BLACK WIRE)	LOAD SHEDDER CONTROL BOARD (BLACK WIRE)
BBF / 16 YEL	LOAD SHEDDER MONITOR PANEL (GRAY WIRE)	LOAD SHEDDER CONTROL BOARD (GRAY WIRE)
BBG / 14 YEL	DINETTE CEILING LAMP SWITCH	DINETTE CEILING LAMP
BBH / 16 YEL	REAR COMPRESSOR SIGNAL REAR THERMOSTAT	LOAD SHEDDER CONTROL BOARD
BBJ / 16 YEL	LOAD SHEDDER CONTROL BOARD	REAR A/C (COOL)
BBK / 12 WHT	JET AIR/TAG AXLE WIRING	GROUND, CHASSIS
BBL / 14 YEL	OVHD SWITCH	OVHD HALOGEN LAMPS
BBM / 16 YEL	SLIDEOUT ROOM SWITCH (ROOM TWO EXTEND)	HWH WIRING (ROOM TWO EXTEND)
BBN / 16 YEL	SLIDEOUT ROOM SWITCH (ROOM TWO RETRACT)	HWH WIRING (ROOM TWO RETRACT)
BBP / 14 YEL	ICC COURTESY BLINK SWITCH	ICC COURTESY BLINK RELAY
BBR / 14 YEL	ICC COURTESY BLINK RELAY	CLEARANCE LAMPS
BBS / 14 YEL	CHASSIS FUSE PANEL	ICC COURTESY BLINK RELAY
BBT / 14 YEL	DOCKING LAMP SWITCH TRIGGER RELAY	DOCKING LAMP SWITCH
BBU / 12 YEL	DOCKING LAMP CIRCUIT BREAKER	DOCKING LAMP RELAY
BBW / 14 YEL	VEHICLE LEFT HEADLAMP LOW BEAM CIRCUIT	LEFT LOW BEAM LAMP
BBX / 14 YEL	VEHICLE RIGHT HEADLAMP LOW BEAM CIRCUIT	RIGHT LOW BEAM LAMP
BBY / 14 YEL	SWITCH-MONITOR PANEL (IN EXT. WATER CENTER)	EXTERIOR MONITOR PANEL (IN EXT. WATER CENTER)
BBZ / 14 YEL	OVERCURRENT PROTECTION (15A FUSE/BREAKER TYPICAL)	AUXILIARY FURNACE (CCA)
CCA / 14 WHT	AUXILIARY FURNACE	GROUND
CCB / 16 YEL	EXTERIOR MONITOR PANEL	WATER TANK LEVEL SENSOR
CCC / 16 YEL	EXTERIOR MONITOR PANEL	MAIN HOLDING TANK LEVEL SENSOR
CCD / 16 YEL	EXTERIOR MONITOR PANEL	AUX HOLDING TANK LEVEL SENSOR
CCE / 14 YEL	COMPARTMENT LAMP SWITCH	COMPARTMENT LAMP
CCF / 14 YEL	COMPARTMENT LAMP SWITCH	COMPARTMENT LAMP

WIRE IDENTIFICATION CHART

CODE / COLOR	FROM:	TO:
CCG / 14 YEL	COMPARTMENT LAMP SWITCH	COMPARTMENT LAMP
CCH / 14 YEL	COMPARTMENT LAMP SWITCH	COMPARTMENT LAMP
CCJ / 14 YEL	COMPARTMENT LAMP SWITCH	COMPARTMENT LAMP
CCK / 14 YEL	COMPARTMENT LAMP SWITCH	COMPARTMENT LAMP
CCL / 14 YEL	COMPARTMENT LAMP SWITCH	COMPARTMENT LAMP
CCM / 14 YEL	COMPARTMENT LAMP SWITCH	COMPARTMENT LAMP
CCN / 16 YEL	THERMOSTATE LOW SPEED FAN SIGNAL	CENTRAL AIR AND LOAD SHEDDER
CCP / 16 YEL	LOAD SHEDDER COMPRESSOR TWO CONTROL RELAY	CENTRAL A/C COMPRESSOR TWO
CCR / 14 YEL	SWITCH-MONITOR PANEL (IN EXT. WATER CENTER)	EXTERIOR MONITOR PANEL (IN EXT. WATER CENTER)
CCS / 16 YEL	NOISE FILTER	RADIO POWER INPUT
CCT / 16 YEL	REAR RIGHT TV SPEAKER NEGATIVE,SERIES CONNECTION	REAR LEFT TV SPEAKER POSITIVE,SERIES CONNECTION
CCU / 14 YEL	GM DOME LAMP POWER	DOMELAMP
CCW / 12 YEL	DUAL MODE SOLENOID (CHASSIS SIDE)	FUSE HOLDER (30 AMP)
CCX / 16 YEL	ORG WIRE ON AIR COMPRESSOR	AIR PRESSURE SWITCH ON AIR TANK
CCY / 16 YEL	HWH WIRING (BATTERY POWER)	SLIDEOUT ROOM SWITCH (POSITIVE)
CCZ / 16 YEL	HWH WIRING (SWITCHED BATTERY POWER)	SLIDEOUT ROOM #1 SWITCH (POSITIVE)
DDA / 16 YEL	HWH WIRING (PUMP RELAY CONTROL)	SLIDEOUT ROOM SWITCH (POSITIVE)
DDB / 14 YEL	REAR AUTO HEATER CIRCUIT BREAKER	REAR AUTO HEATER RELAY (POWER)
DDC / 14 YEL	REAR AUTO HEATER RELAY (SWITCHED POWER)	REAR AUTO HEATER SWITCH (COMMON TERMINAL)
DDD / 14 YEL	MODULE-CHARGE CONTROL RELAY OUTPUT	AUX-START SOLENOID RELAY
DDE / 14 YEL	AUX-START SOLENOID RELAY	AUX-START SOLENOID
DDF / 10 YEL	HEATER BLOWER CIRCUIT BREAKER	HEATER BLOWER RELAY
DDG / 10 YEL	CIRCUIT BREAKER BUSS BAR	CHASSIS BATTERY FEED CIRCUIT BREAKER
DDH / 14 YEL	FREIGHTLINER RUN ONLY TRIGGER CIRCUIT	HEATER BLOWER RELAY
DDJ / 16 WHT	CHASSIS PARKING BRAKE TRIGGER CIRCUIT	LEVELING SYSTEM PARKING BRAKE SENSOR WIRE
DDK / 16 YEL	HWH WIRING (PUMP RELAY CONTROL)	REAR SLIDEOUT ROOM SWITCH (POSITIVE)
DDL / 14 WHT	FRONT LEFT AUTOMOTIVE LAMPS	GROUND
DDM / 14 WHT	FRONT RIGHT AUTOMOTIVE LAMPS	GROUND
DDN / 16 YEL	TIMER MODULE	CHECK ANTENNA LIGHT
DDP / 12 YEL	OVERCURRENT PROTECTION (20A BREAKER TYPICAL)	INVERTER FEED (INVERTER NUMBER 2)
DDR / 12 WHT	INVERTER (INVERTER NUMBER 2)	GROUND
DDS / 12 WHT	INVERTER CHASSIS (INVERTER NUMBER 2)	GROUND
DDT / 12 YEL	POWER COMPT DOOR LOCK RELAY (RIGHT SIDE)	POWER COMPT DOOR LOCK MOTOR(S) (RIGHT SIDE)
DDU / 12 WHT	POWER COMPT DOOR UNLOCK RELAY (RIGHT SIDE)	POWER COMPT LOCK MOTOR(S) (UNLOCK) (RIGHT SIDE)

WIRE IDENTIFICATION CHART

CODE / COLOR	FROM:	TO:
DDV / 12 YEL	POWER COMPT DOOR LOCK RELAY (LEFT SIDE)	POWER COMPT LOCK MOTOR(S) (LOCK) (LEFT SIDE)
DDW / 12 WHT	POWER COMPT DOOR UNLOCK RELAY (LEFT SIDE)	POWER COMPT LOCK MOTOR(S) (UNLOCK) (LEFT SIDE)
DDX / 12 YEL	OVERCURRENT PROTECTION (20A BREAKER TYPICAL)	POWER COMPT DOOR LOCK/ UNLOCK RELAY (RIGHT SIDE)
DDY / 12 YEL	OVERCURRENT PROTECTION (20A BREAKER TYPICAL)	POWER COMPT DOOR LOCK/ UNLOCK RELAY (LEFT SIDE)
DDZ / 12 YEL	POWER COMPT DOOR LOCK SWITCH (LOCK) (PIN 1)	POWER COMPT DOOR LOCK RELAY (PIN 86)
EEA / 12 WHT	POWER COMPT DOOR LOCK SWITCH (UNLOCK) (PIN 5)	POWER COMPT DOOR UNLOCK RELAY (PIN 86)
EEB / 12 WHT	POWER COMPT DOOR LOCK RELAYS (LEFT SIDE)	GROUND
EEC / 12 YEL	25 AMP BREAKER IN 12 VOLT PANEL	SOFA RECLINER SWITCH SOFA 4-WAY RECLINER
EED / 12 WHT	SOFA RECLINER SWITCH SOFA 4-WAY RECLINER	GROUND
EEE / 14 YEL	OVERCURRENT PROTECTION (15A BREAKER TYPICAL)	12V POWER JACK
EEF / 14 WHT	12V POWER JACK	GROUND
EEG / 12 WHT	POWER COMPT DOOR LOCK RELAYS (RIGHT SIDE)	GROUND
EEH / 12 YEL	SOFA RECLINER SWITCH EXTEND	SOFA RECLINER MOTOR SOFA 4-WAY
EEJ / 12 YEL	SOFA RECLINER SWITCH RETRACT	SOFA RECLINER MOTOR SOFA 4-WAY
EEK / 18 YEL	AUDIO AMPLIFIER	LH FRT SPKR (+)
EEL / 18 WHT	AUDIO AMPLIFIER	LH FRT SPKR (-)
EEM / 18 YEL	AUDIO AMPLIFIER	RH FRT SPKR (+)
EEN / 18 WHT	AUDIO AMPLIFIER	RH FRT SPKR (-)
EEP / 18 YEL	AUDIO AMPLIFIER	LH RR SPKR (+)
EER / 18 WHT	AUDIO AMPLIFIER	LH RR SPKR (-)
EES / 18 YEL	AUDIO AMPLIFIER	RH RR SPKR (+)
EET / 18 WHT	AUDIO AMPLIFIER	RH RR SPKR (-)
EEU / 18 YEL	AUDIO AMPLIFIER	CTR CHANNEL SPKR (+)
EEW / 18 WHT	AUDIO AMPLIFIER	CTR CHANNEL SPKR (-)
EEX / 12/10 YEL	PASSENGER AUTO A/C FEED CIRCUIT	PASSENGER AUTO A/C BLOWER (USE 10 IF OVER 6')
EYY / 10 WHT	PASSENGER AUTO A/C MOTOR	GROUND
EEZ / 12/10 YEL	OVERCURRENT PROTECTION (30A BREAKER TYPICAL)	PASSENGER HI-SPEED HEATER FAN (USER 10 IF OVER 6')
FFA / 10 YEL	PASSENGER HEATER BLOWER CIRCUIT BREAKER	PASSENGER HEATER BLOWER RELAY
FFB / 10 YEL	OVERCURRENT PORTECTION (30A BREAKER TYPICAL)	POWER LOUNGE CHAIR
FFC / 10 WHT	POWER LOUNGE CHAIR	GROUND
FFD / 12 YEL	OVERCURRENT PROTECTION (30A BREAKER TYPICAL)	AWNING CONTROL BOX (12V POSITIVE)
FFE / 12 WHT	AWNING CONTROL BOX	GROUND
FFF / 12 YEL	AWNING CONTROL BOX	DOOR AWNING (+) EXTEND
FFG / 12 WHT	AWNING CONTROL BOX	DOOR AWNING (-) EXTEND

WIRE IDENTIFICATION CHART

CODE / COLOR	FROM:	TO:
FFH / 12 YEL	AWNING CONTROL BOX	PATIO AWNING (MOTOR POSITIVE)
FFJ / 12 WHT	PATIO AWNING (MOTOR GROUND)	AWNING CONTROL BOX
FFK / 16 YEL	AWNING CONTROL BOX	DOOR AWNING SWITCH (EXTEND)
FFL / 16 YEL	DOOR AWNING SWITCH (COMMON)	AWNING CONTROL BOX
FFM / 16 YEL	AWNING CONTROL BOX	DOOR AWNING SWITCH (RETRACT)
FFN / 16 YEL	AWNING CONTROL BOX	PATIO AWNING SWITCH (EXTEND)
FFP / 16 YEL	PATIO AWNING SWITCH (COMMON)	AWNING CONTROL BOX
FFR / 16 YEL	AWNING CONTROL BOX	PATIO AWNING SWITCH (RETRACT)
FFS / 14 WHT	RELAY (PIN 30)	AWNING CONTROL BOX
FFT / 12 YEL	PATIO AWNING SWITCH	AWNING CONTROL BOX
FFU / 16 YEL	AWNING SELECTOR SWITCH (DOOR AWNING)	AWNING CONTROL SWITCH (DOOR AWNING)
FFV / 16 YEL	AWNING SELECTOR SWITCH (PATIO AWNING)	AWNING CONTROL SWITCH (PATIO AWNING)
FFW / 14 YEL	LOUNGE LAMPS SWITCH #1	LOUNGE LAMPS SWITCH #2
FFX / 14 YEL	LOUNGE LAMPS SWITCH #1	LOUNGE LAMPS SWITCH #2
FFY / 14 YEL	CEILING FAN SWITCH	CEILING FAN
FFZ / 14 YEL	OVERCURRENT PROTECTION (15A FUSE/BREAKER TYPICAL)	COACH LIGHTING,ETC CIRCUIT #7 (REF GGA)
GGA / 14 WHT	COACH LIGHTING (REF-FFZ)	GROUND
GGB / 14 YEL	POWER LIFT VENT	POWER LIFT SWITCH (UP)
GGC / 14 YEL	POWER LIFT VENT	POWER LIFT SWITCH (DOWN)
GGD / 16 YEL	CONTROL MODULE (LEFT FRONT SLIDE)(STOP)	SLIDEOUT SWITCH (LEFT FRONT SLIDE)
GGE / 16 YEL	CONTROL MODULE (LEFT FRONT SLIDE)(GREEN LED)	SLIDEOUT SWITCH (LEFT FRONT SLIDE)
GGF / 16 YEL	CONTROL MODULE (LEFT FRONT SLIDE)(RED LED)	SLIDEOUT SWITCH (LEFT FRONT SLIDE)
GGG / 16 YEL	CONTROL MODULE (LEFT FRONT SLIDE)(SIGNAL)	LEFT FRONT SLIDE,FRONT RAM (ENCODER)
GGH / 16 YEL	CONTROL MODULE (LEFT FRONT SLIDE)(+)	LEFT FRONT SLIDE,FRONT RAM (ENCODER)
GGJ / 16 WHT	CONTROL MODULE (LEFT FRONT SLIDE)(-)	LEFT FRONT SLIDE,FRONT RAM (ENCODER)
GGK / 16 YEL	CONTROL MODULE (LEFT FRONT SLIDE)(SIGNAL)	LEFT FRONT SLIDE,REAR RAM (ENCODER)
GGL / 16 YEL	CONTROL MODULE (LEFT FRONT SLIDE)(+)	LEFT FRONT SLIDE,REAR RAM (ENCODER)
GGM / 16 WHT	CONTROL MODULE (LEFT FRONT SLIDE)(-)	LEFT FRONT SLIDE,REAR RAM (ENCODER)
GGN / 12 YEL	CONTROL MODULE (RAM #2)	SLIDEOUT ACTUATOR DRIVE LEAD #1
GGP / 12 YEL	CONTROL MODULE (RAM #2)	SLIDEOUT ACTUATOR DRIVE LEAD #2
GGR / 16 YEL	FRONT ROOF HEAT PUMP	THERMOSTAT (W TERMINAL)
GGS / 16 YEL	REAR ROOF HEAT PUMP	THERMOSTAT (W TERMINAL)
GGT / 12 YEL	SOFA RECLINER SWITCH EXTEND	SOFA RECLINER MOTOR SOFA 4-WAY
GGU / 12 YEL	SOFA RECLINER SWITCH RETRACT	SOFA RECLINER MOTOR SOFA 4-WAY

WIRE IDENTIFICATION CHART

CODE / COLOR	FROM:	TO:
GGV / 14 WHT	GPS (BLACK WIRE)	GROUND
GGW / 16 YEL	GPS (GREEN/WHITE WIRE)	VEHICLE SPEED SENSOR (CHASSIS SUPPLIED)
GGX / 14 YEL	10 OHM RESISTOR *	BEDROOM CEILING FAN (LOW SPEED)
GGY / 14 YEL	BATHROOM VENT SWITCH	BATHROOM VENT
GGZ / 14 YEL	BEDROOM VENT SWITCH	BEDROOM VENT
HHA / 14 YEL	OVERCURRENT PROTECTION (15A FUSE/BREAKER TYPICAL)	COACH VENTS/LAMPS (REF HHB)
HHB / 14 WHT	COACH VENTS/LAMPS (REF HHA)	GROUND
HHC / 12 YEL	STEP COVER SWITCH	STEP COVER MOTOR (+)RETRACT, (-)EXTEND
HHD / 12 YEL	STEP COVER SWITCH	STEP COVER MOTOR (-)EXTEND, (+)RETRACT
HHE / 16 YEL	SLIDEOUT ROOM SWITCH (ROOM THREE EXTEND)	HWH WIRING (ROOM THREE EXTEND)
HHF / 16 YEL	SLIDEOUT ROOM SWITCH (ROOM THREE RETRACT)	HWH WIRING (ROOM THREE RETRACT)
HHG / 16 YEL	SLIDEOUT ROOM SWITCH (ROOM FOUR EXTEND)	HWH WIRING (ROOM FOUR EXTEND)
HHH / 16 YEL	SLIDEOUT ROOM SWITCH (ROOM FOUR RETRACT)	SLIDEOUT ROOM SWITCH (ROOM FOUR RETRACT)
HHJ / 14 YEL	110V WATER HEATER TRIGGER SWITCH	WATER HEATER RELAY
HHK / 14 YEL	DRIVER'S POWER SUNVISOR SWITCH	DRIVER'S POWER SUNVISOR
HHL / 14 YEL	DRIVER'S POWER SUNVISOR SWITCH	DRIVER'S POWER SUNVISOR
HHM / 14 YEL	PASS POWER SUNVISOR SWITCH	PASS POWER SUNVISOR
HHN / 14 YEL	PASS POWER SUNVISOR SWITCH	PASS POWER SUNVISOR
HHP / 14 YEL	HOT WATER HEAT CONTROL BOARD (F1)	ZONE 1 FAN SPEED SWITCH
HHR / 14 YEL	ZONE 1 FAN SPEED SWITCH	ZONE 1 HEATER FAN
HHS / 16 YEL	HOT WATER HEAT CONTROL BOARD (TC)	ZONE 2 & 3 THERMOSTAT
HHT / 16 YEL	HOT WATER HEAT CONTROL BOARD (T2)	ZONE 2 THERMOSTAT
HHU / 14 YEL	HOT WATER HEAT CONTROL BOARD (F2)	ZONE 2 FAN SPEED SWITCH
HHV / 14 YEL	ZONE 2 FAN SPEED SWITCH	ZONE 2 HEATER FAN
HHW / 16 YEL	HOT WATER HEAT CONTROL BOARD (T3)	ZONE 3 THERMOSTAT
HHX / 14 YEL	HOT WATER HEAT CONTROL BOARD (F3)	ZONE 3 HEATER FAN
HHY / 16 WHT	AWNING CONTROL BOX	WIND SENSOR (NEGATIVE)
HHZ / 16 YEL	AWNING CONTROL BOX	WIND SENSOR (POSITIVE)
JJA / 16 YEL	AWNING CONTROL BOX	WIND SENSOR TEMPERATURE OUTPUT
JJB / 16 YEL	AWNING CONTROL BOX	WIND SENSOR SPEED OUTPUT
JJC / 14 YEL	ENGINE HEATER CIRCULATING PUMP SWITCH	HOT WATER HEAT CONTROL PANEL (BLU/BLK WIRE)
JJD / 10 YEL	OVERCURRENT PROTECTION (25 FUSE TYPICAL)	HOT WATER HEAT CONTROL BOARD
JJE / 10 WHT	HOT WATER HEAT CONTROL BOARD	GROUND
JJF / 14 YEL	SATELLITE POWER SWITCH	SATELLITE-AUTO SEEK

WIRE IDENTIFICATION CHART

CODE / COLOR	FROM:	TO:
JJG / 12 YEL	OVERCURRENT PROTECTION (20 AMP BREAKER TYPICAL)	SLIDEOUT ROOM CONTROL SWITCH (RAM #3)
JJH / 12 WHT	SLIDEOUT ROOM CONTROL SWITCH (RAM #3)	GROUND
JJJ / 12 YEL	SLIDEOUT ROOM CONTROL SWITCH (RAM #3)	SLIDEOUT DRIVE MOTOR LEAD #1
JJK / 12 YEL	SLIDEOUT ROOM CONTROL SWITCH (RAM #3)	SLIDEOUT DRIVE MOTOR LEAD #2
JJL / 12 YEL	OVERCURRENT PROTECTION (20 AMP BREAKER TYPICAL)	SLIDEOUT ROOM CONTROL SWITCH (RAM #2)
JJM / 16 YEL	HWH WIRING (SWITCHED BATTERY POWER)	SLIDEOUT ROOM SWITCH #2 (SWITCHED EXTEND/RETRACT PWR)
JJN / 16 YEL	HWH WIRING (SWITCHED BATTERY POWER)	SLIDEOUT ROOM SWITCH #3 (SWITCHED EXTEND/RETRACT PWR)
JJP / 16 YEL	HWH WIRING (SWITCHED BATTERY POWER)	SLIDEOUT ROOM SWITCH #4 (SWITCHED EXTEND/RETRACT PWR)
JJR / 16 YEL	REMOTE SWITCH (EXTEND)	PATIO AWNING CONTROL MODULE (RELAY POSITION 87A,EXTEND)
JJS / 12 YEL	REMOTE SWITCH	DOOR AWNING CONTROL RELAY (RELAY POSITION 87A,EXTEND)
JJT / 14 YEL	OVERCURRENT PROTECTION (15A FUSE/BREAKER TYPICAL)	COACH 12V RECEPTACLES (REF JJU)
JJU / 14 WHT	COACH 12V RECEPTACLES (REF JJT)	GROUND
JJV / 14 YEL	MONITOR PANEL LAMP SWITCH	MONITOR PANEL LAMP
JJW / 14 YEL	RUN ONLY POWER BREAKER	RUN ONLY POWER RELAY
JJX / 14 YEL	RUN ONLY POWER RELAY	GENERAL PURPOSE (RUN ONLY FEED)
JJY / 14 YEL	RUN/ACC POWER #1 BREAKER	RUN/ACC POWER #1 RELAY
JJZ / 14 YEL	RUN/ACC POWER #1 RELAY (REF LLD)	GENERAL PURPOSE (RUN/ACC FEED #1)
KKA / 14 YEL	RUN/ACC POWER #2 BREAKER	RUN/ACC POWER #2 RELAY
KKB / 14 YEL	RUN/ACC POWER #2 RELAY (REF LLE)	GENERAL PURPOSE (RUN/ACC FEED #2)
KKC / 12 YEL	POWER SEAT RELAY	POWER SEAT (HEATER)
KKD / 16 YEL	CONFIRMATION EMERGENCY SHUT OFF SWITCH (IN COACH)	EMERGENCY SHUT OFF SWITCH (ON REMOTE FILL BRACKET)
KKE / 16 YEL	EMERGENCY SHUT OFF SWITCH (ON REMOTE FILL BRACKET)	EMERGENCY SHUT OFF SOLENOID (ON LP TANK)
KKF / 6 BLK	BATTERY DISCONNECT RELAY	COACH BUSS BAR
KKG / 8 BLK	BATTERY MODE SOLENOID	CHASSIS BUSS BAR
KKH / 14 YEL	EXTERIOR SERVICE LAMP SWITCH #1	EXTERIOR SERVICE LAMP SWITCH #2
KKJ / 14 YEL	EXTERIOR SERVICE LAMP SWITCH #1	EXTERIOR SERVICE LAMP SWITCH #2
KKK / 16 YEL	HWH WIRING (SWITCHED BATTERY POWER)	SLIDEOUT ROOM #2 SWITCH (POSITIVE)
KKL / 16 YEL	HWH WIRING (SWITCHED BATTERY POWER)	SLIDEOUT ROOM #3 SWITCH (POSITIVE)
KKM / 16 YEL	HWH WIRING (SWITCHED BATTERY POWER)	SLIDEOUT ROOM #4 SWITCH (POSITIVE)
KKN / 14 YEL	KEYLESS ENTRY PORCH LIGHT OUTPUT	PORCH/STEP/MAP LAMP
KKP / 14 YEL	LOUNGE CEILING ROPE LAMP SWITCH (CIRCUIT #1)	LOUNGE CEILING ROPE LAMP (REF CIRCUIT SSZ)
KKR / 14 YEL	BEDROOM CEILING ROPE LAMP SWITCH	BEDROOM CEILING ROPE LAMP
KKS / 14 YEL	BEDROOM VALANCE LAMP SWITCH	BEDROOM VALANCE LAMP
KKT / 14 YEL	BEDROOM "MOOD" LAMP SWITCH	BEDROOM "MOOD" LAMP

WIRE IDENTIFICATION CHART

CODE / COLOR	FROM:	TO:
KKU / 16 YEL	REAR TV SPEAKER OUTPUT (RIGHT POSITIVE)	RIGHT SPEAKER (POSITIVE)
KKV / 16 WHT	REAR TV SPEAKER OUTPUT (RIGHT NEGATIVE)	RIGHT SPEAKER (NEGATIVE)
KKW / 16 YEL	REAR TV SPEAKER OUTPUT (LEFT POSITIVE)	LEFT SPEAKER (POSITIVE)
KKX / 16 WHT	REAR TV SPEAKER OUTPUT (LEFT NEGATIVE)	LEFT SPEAKER (NEGATIVE)
KKY / 14 YEL	OVERCURRENT PROTECTION (15A FUSE/BREAKER TYPICAL)	COACH LIGHTING,ETC CIRCUIT #8 (REF KKZ)
KKZ / 14 WHT	COACH LIGHTING (REF KKY)	GROUND
LLA / 14 YEL	OVERCURRENT PROTECTION (15A FUSE/BREAKER TYPICAL)	COACH LIGHTING,ETC CIRCUIT #9 (REF LLB)
LLB / 14 WHT	COACH LIGHTING (REF LLA)	GROUND
LLC / 14 YEL	SEAT HEATER BREAKER (15 AMP BREAKER TYPICAL)	SEAT HEATER RELAY POSITION 30
LLD / 14 WHT	RUN/ACC FEED #1 (REF JJZ)	GROUND
LLE / 14 WHT	RUN/ACC FEED #2 (REF KKB)	GROUND
LLF / 14 YEL	DOME LAMP RELAY	DOME LAMP
LLG / 10/12 YEL	TRAILER BRAKE SIGNAL (OUTPUT FROM CONTROLLER)	TRAILER CONNECTOR (ELECTRIC BRAKES)
LLH / 14 WHT	RUN ONLY GROUND SOURCE (CHASSIS SUPPLIED)	AUX START RELAY
LLJ / 14 YEL	AUX START RELAY (RUN ONLY POWER)	AUX START SWITCH
LLK / 10 YEL	CHASSIS BREAKER PANEL (LH FRT SLIDE)(FRT RAM)	CONTROL MODULE (LH FRT SLIDE)
LLL / 10 WHT	CHASSIS GROUND BAR (LH FRT SLIDE)(FRT RAM)	CONTROL MODULE (LH FRT SLIDE)
LLM / 10 YEL	CHASSIS BREAKER PANEL (LH FRT SLIDE)(REAR RAM)	CONTROL MODULE (LH FRT SLIDE)
LLN / 10 WHT	CHASSIS GROUND BAR (LH FRT SLIDE)(REAR RAM)	CONTROL MODULE (LH FRT SLIDE)
LLP / 10 YEL	CHASSIS BREAKER PANEL (REAR SLIDE RAM)	CONTROL MODULE (REAR SLIDE)
LLR / 10 WHT	CHASSIS GROUND BAR (REAR SLIDE RAM)	CONTROL MODULE (REAR SLIDE)
LLS / 10 YEL	CONTROL MODULE (LEFT FRONT SLIDE)	LT FRT SLIDE FRT RAM (MOTOR DRIVE LINE)
LLT / 10 YEL	CONTROL MODULE (LEFT FRONT SLIDE)	LT FRT SLIDE FRT RAM (MOTOR DRIVE LINE)
LLU / 10 YEL	CONTROL MODULE (LEFT FRONT SLIDE)	LT FRT SLIDE RR RAM (MOTOR DRIVE LINE)
LLV / 10 YEL	CONTROL MODULE (REAR SLIDE)	REAR SLIDEOUT RAM (MOTOR DRIVE LINE)
LLW / 10 YEL	CONTROL MODULE (LEFT FRONT SLIDE)	LT FRT SLIDE RR RAM (MOTOR DRIVE LINE)
LLX / 10 YEL	CONTROL MODULE (REAR SLIDE)	REAR SLIDEOUT RAM (MOTOR DRIVE LINE)
LLY / 16 WHT	CONTROL MODULE (REAR SLIDE)(GROUND)	SLIDEOUT SWITCH (REAR SLIDEOUT)
LLZ / 16 YEL	CONTROL MODULE (REAR SLIDE)(RETRACT)	SLIDEOUT SWITCH (REAR SLIDEOUT)
MMA / 16 YEL	CONTROL MODULE (REAR SLIDE)(STOP)	SLIDEOUT SWITCH (REAR SLIDEOUT)
MMB / 16 YEL	CONTROL MODULE (REAR SLIDE)(GREEN LED)	SLIDEOUT SWITCH (REAR SLIDEOUT)
MMC / 16 YEL	CONTROL MODULE (REAR SLIDE)(EXTEND)	SLIDEOUT SWITCH (REAR SLIDEOUT)
MMD / 16 YEL	CONTROL MODULE (REAR SLIDE)(RED LED)	SLIDEOUT SWITCH (REAR SLIDEOUT)
MME / 10 YEL	CHASSIS SIDE OF SOLENOID (FRT LT/REAR SLIDE RAMS)	BREAKER PANEL BUSS BAR (FRT LT/REAR SLIDE RAMS)

WIRE IDENTIFICATION CHART

CODE / COLOR	FROM:	TO:
MMF / 10 YEL	CHASSIS SIDE OF SOLENOID (FRT RT SLIDE RAMS)	BREAKER PANEL BUSS BAR (FRT RT SLIDE RAMS)
MMG / 10 YEL	CHASSIS SIDE OF SOLENOID (REAR SLIDE RAM)	BREAKER PANEL (REAR SLIDE RAM)
MMH / 16 YEL	OVERCURRENT PROTECTION (6 AMP BREAKER TYPICAL)	POWER SUNVISOR SWITCH
MMJ / 16 WHT	GROUND	POWER SUNVISOR SWITCH
MMK / 16 YEL	BEDROOM STEREO (LEFT SPEAKER REF)	CROSS OVER BOX (POSITIVE)
MML / 16 WHT	BEDROOM STEREO (LEFT SPEAKER REF)	CROSS OVER BOX (NEGATIVE)
MMM / 16 YEL	BEDROOM STEREO (RIGHT SPEAKER REF)	CROSS OVER BOX (POSITIVE)
MMN / 16 WHT	BEDROOM STEREO (RT SPKR/WOOFER REF)	CROSS OVER BOX (NEGATIVE)
MMP / 16 YEL	CROSS OVER COIL (POSITIVE)	SUBWOOFER (BEDROOM)
MMR / 14 YEL	CHASSIS TOW MARKER LAMPS CIRCUIT	TRAILER CONNECTOR (TAIL/MARKER LAMPS)
MMS / 12 YEL	+12V	PASSENGER AC/HEATER CONTROLS
MMT / 12 YEL	PASSENGER FAN SWITCH (LOW SPEED)	PASSENGER FAN
MMU / 12 YEL	PASSENGER FAN SWITCH (MED SPEED)	PASSENGER FAN
MMV / 12 YEL	PASSENGER FAN SWITCH (HIGH SPEED)	PASSENGER FAN
MMW / 16 YEL	+12V	PASSENGER CONTROL PANEL LAMPS
MMX / 16 WHT	PASSENGER CONTROL PANEL LAMPS	GROUND
MMY / 16 WHT	PASSENGER TEMP AND VENT CONTROL	GROUND
MMZ / 12 YEL	SLIDEOUT ROOM CONTROL SWITCH (RAM #1)	SLIDEOUT DRIVE MOTOR LEAD #1
NNA / 12 YEL	SLIDEOUT ROOM CONTROL SWITCH (RAM #1)	SLIDEOUT DRIVE MOTOR LEAD #2
NNB / 16 YEL	CONTROL MODULE (FRONT SLIDE) (SIGNAL)	FRONT SLIDE FRONT RAM (ENCODER)
NNC / 16 YEL	CONTROL MODULE (FRONT SLIDE) (+)	FRONT SLIDE FRONT RAM (ENCODER)
NND / 16 WHT	CONTROL MODULE (FRONT SLIDE) (-)	FRONT SLIDE FRONT RAM (ENCODER)
NNE / 16 YEL	CONTROL MODULE (FRONT SLIDE) (SIGNAL)	FRONT SLIDE REAR RAM (ENCODER)
NNF / 16 YEL	CONTROL MODULE (FRONT SLIDE) (+)	FRONT SLIDE REAR RAM (ENCODER)
NNG / 16 WHT	CONTROL MODULE (FRONT SLIDE) (-)	FRONT SLIDE REAR RAM (ENCODER)
NNH / 12 YEL	CONTROL MODULE (RAM #2)	SLIDEOUT ACTURATOR DRIVE LEAD #1
NNJ / 12 YEL	CONTROL MODULE (RAM #2)	SLIDEOUT ACTURATOR DRIVE LEAD #2
NNK / 16 YEL	KEYLESS ENTRY TOUCH PAD SIGNAL	ENTRANCE DOOR TOUCH PAD
NNL / 16 YEL	PASSENGER TEMP CONTROL (CONTROL OUT)	PASSENGER AC/HEATER
NNM / 16 YEL	PASSENGER VENT CONTROL (CONTROL OUT)	PASSENGER VENT
NNN / 16 YEL	CONTROL MODULE (RIGHT FRONT SLIDE)(STOP)	SLIDEOUT SWITCH (RIGHT FRONT SLIDE)
NNP / 16 YEL	CONTROL MODULE (RIGHT FRONT SLIDE)(GREEN LED)	SLIDEOUT SWITCH (RIGHT FRONT SLIDE)
NNR / 16 YEL	CONTROL MODULE (RIGHT FRONT SLIDE)(RED LED)	SLIDEOUT SWITCH (RIGHT FRONT SLIDE)
NNS / 16 WHT	CONTROL MODULE (RIGHT FRONT SLIDE)(GROUND)	SLIDEOUT SWITCH (RIGHT FRONT SLIDEOUT)

WIRE IDENTIFICATION CHART

CODE / COLOR	FROM:	TO:
NNT / 16 YEL	CONTROL MODULE (RIGHT FRONT SLIDE)(SIGNAL)	RIGHT FRONT SLIDE,FRONT RAM (ENCODER)
NNU / 16 YEL	CONTROL MODULE (RIGHT FRONT SLIDE)(+)	RIGHT FRONT SLIDE,FRONT RAM (ENCODER)
NNV / 16 WHT	CONTROL MODULE (RIGHT FRONT SLIDE)(-)	RIGHT FRONT SLIDE,FRONT RAM (ENCODER)
NNW / 16 YEL	CONTROL MODULE (RIGHT FRONT SLIDE)(SIGNAL)	RIGHT FRONT SLIDE,REAR RAM (ENCODER)
NNX / 16 YEL	CONTROL MODULE (RIGHT FRONT SLIDE)(+)	RIGHT FRONT SLIDE,REAR RAM (ENCODER)
NNY / 16 WHT	CONTROL MODULE (RIGHT FRONT SLIDE)(-)	RIGHT FRONT SLIDE,REAR RAM (ENCODER)
NNZ / 10 YEL	CHASSIS BREAKER PANEL (RH FRT SLIDE)(FRT RAM)	CONTROL MODULE (RIGHT FRONT SLIDE)
PPA / 10 WHT	CHASSIS GROUND BAR (RH FRT SLIDE)(FRT RAM)	CONTROL MODULE (RIGHT FRONT SLIDE)
PPB / 10 YEL	CHASSIS BREAKER PANEL (RH FRT SLIDE)(REAR RAM)	CONTROL MODULE (RIGHT FRONT SLIDE)
PPC / 10 WHT	CHASSIS GROUND BAR (RH FRT SLIDE)(REAR RAM)	CONTROL MODULE (RIGHT FRONT SLIDE)
PPD / 10 YEL	CONTROL MODULE (RIGHT FRONT SLIDE)	RH FRT SLIDE FRT RAM (MOTOR DRIVE LINE)
PPE / 10 YEL	CONTROL MODULE (RIGHT FRONT SLIDE)	RH FRT SLIDE FRT RAM (MOTOR DRIVE LINE)
PPF / 10 YEL	CONTROL MODULE (RIGHT FRONT SLIDE)	RH FRT SLIDE RR RAM (MOTOR DRIVE LINE)
PPG / 10 YEL	CONTROL MODULE (RIGHT FRONT SLIDE)	RH FRT SLIDE RR RAM (MOTOR DRIVE LINE)
PPH / 14 YEL	CHASSIS CLEARANCE LAMPS CRT #2 (REF MM)	CLEARANCE/MARKER LAMPS
PPJ / 14 YEL	PASSENGER SUNVISOR SWITCH DRIVER'S SIDE	PASSENGER SUNVISOR SWITCH PASSENGER'S SIDE
PPK / 14 YEL	PASSENGER SUNVISOR SWITCH DRIVER'S SIDE	PASSENGER SUNVISOR SWITCH PASSENGER'S SIDE
PPL / 14 YEL	DASH RADIO ACCESSORY POWER	TV/RADIO SPEAKER SELECTOR SWITCH
PPM / 12 YEL	OVERCURRENT PROTECTION (15A BREAKER TYPICAL)	LEFT FRONT SLIDEOUT LOCK SWITCH
PPN / 12 WHT	LEFT FRONT SLIDEOUT LOCK SWITCH (REF PPM)	GROUND
PPP / 12 YEL	OVERCURRENT PROTECTION (15A BREAKER TYPICAL)	RIGHT FRONT SLIDEOUT LOCK SWITCH
PPR / 12 WHT	RIGHT FRONT SLIDEOUT LOCK SWITCH (REF PPP)	GROUND
PPS / 12 YEL	LEFT FRONT SLIDEOUT LOCK SWITCH	LEFT FRONT SLIDEOUT LOCK MOTOR
PPT / 12 YEL	LEFT FRONT SLIDEOUT LOCK SWITCH	LEFT FRONT SLIDEOUT LOCK MOTOR
PPU / 12 YEL	RIGHT FRONT SLIDEOUT LOCK SWITCH	RIGHT FRONT SLIDEOUT LOCK MOTOR
PPV / 12 YEL	RIGHT FRONT SLIDEOUT LOCK SWITCH	RIGHT FRONT SLIDEOUT LOCK MOTOR
PPW / 14 YEL	SLIDEOUT LOCK SWITCH W/SLIDEOUT SWITCH #1 IN DASH	SLIDEOUT ROOM #1 SWITCH (POSITIVE)
PPX / 14 YEL	SLIDEOUT LOCK SWITCH W/SLIDEOUT SWITCH #3 IN DASH	SLIDEOUT ROOM #3 SWITCH (POSITIVE)
PPY / 14 YEL	SLIDEOUT LOCK SWITCH W/SLIDEOUT SWITCH #4 IN DASH	SLIDEOUT ROOM #4 SWITCH (POSITIVE)
PPZ / 12 YEL	CHASSIS SUPPLIED WIRING	TRAILER TOW BATTERY FEED (7 WAY TOW CONNECTOR)
RRA / 14 YEL	GENERAL SWITCH	GENERAL LAMP
RRB / 14 YEL	GENERAL SWITCH	GENERAL LAMP
RRC / 14 YEL	GENERAL SWITCH	GENERAL LAMP
RRD / 14 YEL	GALLEY CEILING FAN SWITCH	GALLEY CEILING FAN

WIRE IDENTIFICATION CHART

CODE / COLOR	FROM:	TO:
RRE / 14 YEL	10 OHM RESISTOR	LOUNGE CEILING FAN (LOW SPEED)
RRF / 14 YEL	BEDROOM READING LAMP SWITCH	BEDROOM READING LAMP
RRG / 14 YEL	BEDROOM READING LAMP SWITCH #1 (2 SWITCH SYSTEM)	BEDROOM READING LAMP SWITCH #2 (2 SWITCH SYSTEM)
RRH / 14 YEL	BEDROOM READING LAMP SWITCH #1 (2 SWITCH SYSTEM)	BEDROOM READING LAMP SWITCH #2 (2 SWITCH SYSTEM)
RRJ / 12 WHT	SEVEN PIN CONNECTOR (TRAILER CONNECTOR)	GROUND
RRK / 16 YEL	2ND GALLEY HOLDING TANK	SELECTOR SWITCH
RRL / 16 YEL	HOLDING TANK SELECTOR SWITCH	MONITOR PANEL
RRM / 14 YEL	CENTER POWER SUNVISOR SWITCH	CENTER SUNVISOR
RRN / 14 YEL	CENTER POWER SUNVISOR SWITCH	CENTER SUNVISOR
RRP / 16 YEL	THERMOSTAT (LOW STAGE)	FURNACE (LOW STAGE)
RRR / 16 YEL	THERMOSTAT (HIGH STAGE)	FURNACE (HIGH STAGE)
RRS / 16 YEL	SLIDEOUT LOCK SWITCH (#1)	SLIDEOUT LOCK SWITCH (#2)
RRT / 16 YEL	AWNING CONTROL BOX (LOCATED IN HOUSING PIN 1)	DOOR AWNING LIMIT SWITCH (LOCATED IN HOUSING PIN 1)
RRU / 16 WHT	AWNING CONTROL BOX (LOCATED IN HOUSING PIN 2)	DOOR AWNING LIMIT SWITCH (LOCATED IN HOUSING PIN 2)
RRV / 14 YEL	VIDEO CAMERA SWITCHER	MONITOR
RRW / 14 YEL	LOCKOUT POSITIONING SWITCH	FIREPLACE LOCKOUT RECP
RRX / 10 YEL	12V BREAKER PANEL (30 AMP TYPICAL)	SMART FUSE BLOCK (POSITIVE)
RRY / 18 YEL	SMART FUSE BLOCK (COMMUNICATION BUS)	SMART FUSE SWITCH PANEL
RRZ / 18 WHT	SMART FUSE BLOCK (COMMUNICATION GROUND)	SMART FUSE SWITCH PANEL
SSA / 14 WHT	FRONT LEFT SLIDE LOCK (INDICATOR OUTPUT-GROUND)	FRONT LEFT LOCK SWITCH LED
SSB / 14 WHT	FRONT RIGHT SLIDE LOCK (INDICATOR OUTPUT-GROUND)	FRONT RIGHT LOCK SWITCH LED
SSC / 14 YEL	JACK CONTROL PANEL (LEVEL)	REMOTE AUTO LEVEL SWITCH
SSD / 14 YEL	JACK CONTROL PANEL (STORE)	REMOTE AUTO LEVEL SWITCH
SSE / 14 YEL	JACK CONTROL PANEL (COMMON)	REMOTE AUTO LEVEL SWITCH (+)HWH (-)KWIKEE
SSF / 14 YEL	JACK CONTROL PANEL (INDICATOR LED)	REMOTE AUTO LEVEL SWITCH (-)HWH (+)KWIKEE
SSG / 18 YEL	TRANSFORMER	AUTO GENERATOR START MONITOR PANEL
SSH / 18 WHT	TRANSFORMER	AUTO GENERATOR START MONITOR PANEL
SSJ / 10 YEL	BRAKE CONTROLLER POWER (30-AMP BREAKER TYPICAL)	BRAKE CONTROLLER (POWER INPUT)
SSK / 14 WHT	BRAKE CONTROLLER (GROUND)	GROUND
SSL / 14 YEL	CHASSIS REAR LAMP WIRING (LEFT TURN ONLY)	LEFT TURN SIGNAL *NOT COMBO TURN/BRAKE*
SSM / 14 YEL	CHASSIS REAR LAMP WIRING (RIGHT TURN ONLY)	RIGHT TURN SIGNAL *NOT COMBO TURN/BRAKE*
SSN / 18 WHT	FRONT RIGHT SLIDEOUT LOCK END SWITCH (FROM NNS)	CONTROL MODULE (RIGHT FRONT SLIDE)(GROUND)
SSP / 18 WHT	LEFT FRONT SLIDEOUT LOCK END SWITCH (FROM DS)	CONTROL MODULE (LEFT FRONT SLIDE)(GROUND)
SSR / 16 YEL	EXTERIOR HOLDING TANK SELECTOR SWITCH	EXTERIOR MONITOR PANEL

08/29/09
REPORT 3593-1

WIRE IDENTIFICATION CHART

CODE / COLOR	FROM:	TO:
SSS / 16 YEL	EXTERIOR HOLDING TANK SELECTOR SWITCH	2ND GALLEY HOLDING TANK
SST / 14 YEL	GALLEY LAMP SWITCH #1	GALLEY LAMP SWITCH #2
SSU / 14 YEL	GALLEY LAMP SWITCH #1	GALLEY LAMP SWITCH #2
SSV / 14 YEL	BATH CEILING LAMP SWITCH #1 (2 SWITCH SYSTEM)	BATH CEILING LAMP SWITCH #2 (2 SWITCH SYSTEM)
SSW / 14 YEL	BATH CEILING LAMP SWITCH #1 (2 SWITCH SYSTEM)	BATH CEILING LAMP SWITCH #2 (2 SWITCH SYSTEM)
SSX / 12 YEL	DOOR AWNING SWITCH	DOOR AWNING CONTROL RELAY (RELAY POSITION 87A EXTEND)
SSY / 12 WHT	DOOR AWNING SWITCH	DOOR AWNING LIMIT SWITCH
SSZ / 14 YEL	LOUNGE CEILING ROPE LAMP SWITCH (CIRCUIT #2)	LOUNGE CEILING ROPE LAMP (REF CIRCUIT KKP)
TTA / 14 YEL	LEVELING SYSTEM CONTROLS	INDICATOR LAMP/ALARM (POSITIVE)
TTB / 14 WHT	LEVELING SYSTEM CONTROLS	INDICATOR LAMP/ALARM (NEGATIVE)
TTC / 10 YEL	CHASSIS BATTERY	SLIDEOUT LOCK BREAKER
TTD / 14 YEL	VEHICLE LEFT HEADLAMP HI BEAM CIRCUIT	LEFT HI BEAM LAMP
TTE / 14 YEL	RELAY	RIGHT DOCKING LAMP
TTF / 14 YEL	RELAY	LEFT DOCKING LAMP
TTG / 18 YEL	FRONT THERMOSTAT (MAIN OR ZONE #1)	REMOTE SENSOR
TTH / 18 YEL	FRONT THERMOSTAT (MAIN OR ZONE #1)	REMOTE SENSOR
TTJ / 14 YEL	BRAKE LAMP CIRCUIT BREAKER	BRAKE LAMP RELAY
TTK / 14 YEL	RIGHT TURNLAMP CIRCUIT BREAKER	RIGHT TURN LAMP RELAY
TTL / 14 YEL	LEFT TURN LAMP CIRCUIT BREAKER	LEFT TURN LAMP RELAY
TTM / 14 YEL	BACKUP LAMP CIRCUIT BREAKER	BACKUP LAMP RELAY
TTN / 14 YEL	PARK LAMP CIRCUIT BREAKER	PARK LAMP RELAY
TTP / 12 YEL	AWNING CONTROL BOX	PATIO AWNING #2 (MOTOR POSITIVE)
TTR / 12 WHT	AWNING CONTROL BOX	PATIO AWNING #2 (MOTOR GROUND)
TTS / 16 YEL	AWNING CONTROL BOX	PATIO AWNING #2 (SWITCH EXTEND)
TTT / 16 YEL	AWNING CONTROL BOX	PATIO AWNING #2 (SWITCH COMMON)
TTU / 16 YEL	AWNING CONTROL BOX	PATIO AWNING #2 (SWITCH RETRACT)
TTV / 16 YEL	AWNING CONTROL BOX	WIND SENSOR #2 (POSITIVE)
TTW / 16 YEL	AWNING CONTROL BOX	WIND SENSOR #2 (NEGATIVE)
TTX / 16 YEL	AWNING CONTROL BOX	WIND SENSOR #2 (SPEED OUTPUT)
TTY / 18 YEL	CHASSIS BATT DISCONNECT RELAY (TERMINAL I)	CHASSIS BATT DISCONNECT SWITCH
TTZ / 18 YEL	CHASSIS BATT DISCONNECT RELAY (TERMINAL S)	CHASSIS BATT DISCONNECT SWITCH
UUA / 18 YEL	CHASSIS BATT DISCONNECT RELAY LOAD SIDE FUSE FEED	CHASSIS BATT DISCONNECT SWITCH INDICATOR LAMP
UUB / 18 YEL	CHASSIS BATT DISCONNECT LOCKOUT RELAY-NC CONTACT	CHASSIS BATT DISCONNECT RELAY SWITCH
UUC / 18 WHT	CHASSIS BATT DISCONNECT SWITCH	GROUND

WIRE IDENTIFICATION CHART

CODE / COLOR	FROM:	TO:
UUD / 12 YEL	RIGHT REAR SLIDEOUT LOCK SWITCH	RIGHT REAR SLIDEOUT LOCK MOTOR
UUE / 12 YEL	RIGHT REAR SLIDEOUT LOCK SWITCH	RIGHT REAR SLIDEOUT LOCK MOTOR
UUF / 16 YEL	BATTERY MAINTAINER	CHASSIS BATTERY
UUG / 18 YEL	CHASSIS BATT DISCONNECT RELAY BATTERY SIDE FUSE FEED	CHASSIS BATT DISCONNECT RELAY COMMON CONTACT
UUH / 18 YEL	THERMOSTAT AGS OUTPUT 9 PIN HSG POSITION 3	AUTO GEN START MODULE POSITION 10
UUJ / 12 YEL	TRAILER BATTERY BREAKER	TRAILER BATTERY RELAY
UUK / 18 YEL	AWNING CONTROL BOX (LOW WIND SPEED SETTING)	AWNING WIND SPEED SWITCH (LOW WIND SPEED)
UUL / 18 YEL	AWNING CONTROL BOX (MEDIUM WIND SPEED SETTING)	AWNING WIND SPEED SWITCH (MEDIUM WIND SPEED, COMMON)
UUM / 18 YEL	AWNING CONTROL BOX (HIGH WIND SPEED SETTING)	AWNING WIND SPEED SWITCH (HIGH WIND SPEED)
UUN / 18 YEL	AWNING #2 CONTROL BOX (LOW WIND SPEED SETTING)	AWNING #2 WIND SPEED SWITCH (LOW WIND SPEED)
UUP / 18 YEL	AWNING #2 CONTROL BOX (MEDIUM WIND SPEED SETTING)	AWNING #2 WIND SPEED SWITCH (MEDIUM WIND SPEED, COMMON)
UUR / 18 YEL	AWNING #2 CONTROL BOX (HIGH WIND SPEED SETTING)	AWNING #2 WIND SPEED SWITCH (HIGH WIND SPEED)
UUS / 18 YEL	FRONT SLIDEOUT MOTOR (ENCODER SIGNAL)	SLIDEOUT MODULE (ENCODER SIGNAL)
UUT / 18 YEL	FRONT SLIDEOUT MOTOR (ENCODER SIGNAL)	SLIDEOUT MODULE (ENCODER SIGNAL)
UUU / 18 WHT	FRONT SLIDEOUT MOTOR (ENCODER GROUND)	SLIDEOUT MODULE (ENCODER GROUND)
UUV / 10 YEL	REAR SLIDEOUT MOTOR (POWER)	SLIDEOUT MODULE (POWER)
U UW / 10 WHT	REAR SLIDEOUT MOTOR (GROUND)	SLIDEOUT MODULE (GROUND)
UUX / 18 YEL	REAR SLIDEOUT MOTOR (ENCODER COM POWER)	SLIDEOUT MODULE (ENCODER COM POWER)
UUY / 18 YEL	REAR SLIDEOUT MOTOR (ENCODER SIGNAL)	SLIDEOUT MODULE (ENCODER SIGNAL)
UUZ / 18 YEL	REAR SLIDEOUT MOTOR (ENCODER SIGNAL)	SLIDEOUT MODULE (ENCODER SIGNAL)
VVA / 18 WHT	REAR SLIDEOUT MOTOR (ENCODER GROUND)	SLIDEOUT MODULE (ENCODER GROUND)
VVB / 18 YEL	SLIDEOUT SWITCH (SWITCH "IN")	SLIDEOUT MODULE (RETRACT)
VVC / 18 YEL	SLIDEOUT SWITCH (SWITCH "OUT")	SLIDEOUT MODULE (EXTEND)
VVD / 18 YEL	SLIDEOUT SWITCH (MOTOR 1 SWITCH)	SLIDEOUT MODULE (MOTOR 1 SWITCH)
VVE / 18 YEL	SLIDEOUT SWITCH (MOTOR 2 SWITCH)	SLIDEOUT MODULE (MOTOR 2 SWITCH)
VVF / 18 YEL	SLIDEOUT SWITCH (CALIBRATION SWITCH)	SLIDEOUT MODULE (CALIBRATION SWITCH)
VVG / 18 YEL	SLIDEOUT SWITCH (RED LED)	SLIDEOUT MODULE (RED LED)
VVH / 18 YEL	SLIDEOUT SWITCH (GREEN LED)	SLIDEOUT MODULE (GREEN LED)
VVJ / 18 YEL	SLIDEOUT SWITCH (SWITCH POWER)	INLINE FUSE (1 AMP) (SWITCH POWER)
VVK / 10 YEL	FRONT SLIDEOUT MOTOR (POWER)	SLIDEOUT MODULE (POWER)
VVL / 10 WHT	FRONT SLIDEOUT MOTOR (GROUND)	SLIDEOUT MODULE (GROUND)
VVM / 18 YEL	FRONT SLIDEOUT MOTOR (ENCODER COM POWER)	SLIDEOUT MODULE (ENCODER COM POWER)
VVN / 18 YEL	SLIDEOUT SWITCH (LOW VOLTAGE LED)	SLIDEOUT MODULE (LOW VOLTAGE LED)
VVP / 18 YEL	SLIDEOUT SWITCH (PARK BRAKE LED)	SLIDEOUT MODULE (PARK BRAKE LED)

08/29/09
REPORT 3593-1

WIRE IDENTIFICATION CHART

CODE / COLOR	FROM:	TO:
VVR / 18 YEL	SLIDEOUT MODULE (SWITCH POWER)	INLINE FUSE (1 AMP) (SWITCH POWER)
VVS / 18 YEL	AQUA-HOT	ZONE 1 T-STAT
VVT / 18 YEL	AQUA-HOT	ZONE 1 T-STAT
VVU / 18 WHT	AQUA-HOT	ZONE 2 FAN (NEG) (HHU POS)
VVV / 18 WHT	AQUA-HOT	ZONE 1 FAN (NEG) (HHP POS)
VVW / 18 YEL	AQUA-HOT	ZONE 3 T-STAT (HHW)
VVX / 18 WHT	AQUA-HOT	ZONE 3 FAN (NEG) (HHX POS)
VVY / 16 YEL	AQUA-HOT	DIESEL BURNER SWITCH
VVZ / 16 YEL	AQUA-HOT	DIESEL BURNER SWITCH
WWA / 16 YEL	AQUA-HOT	110V ASSIST SWITCH
WWB / 16 YEL	AQUA-HOT	110V ASSIST SWITCH
WWC / 16 YEL	AQUA-HOT	ENGINE PREHEAT SWITCH
WWD / 16 YEL	AQUA-HOT	ENGINE PREHEAT SWITCH
WWE / 18 YEL	LEFT REAR SLIDEOUT SWITCH (SWITCH POWER)	INLINE FUSE (1 AMP) (SWITCH POWER)
WWF / 18 YEL	LEFT REAR SLIDEOUT SWITCH (LOW VOLTAGE LED)	SLIDEOUT MODULE (LOW VOLTAGE LED)
WWG / 18 YEL	LEFT REAR SLIDEOUT SWITCH (PARK BRAKE LED)	SLIDEOUT MODULE (PARK BRAKE LED)
WWH / 18 YEL	LEFT REAR SLIDEOUT MODULE (SWITCH POWER)	INLINE FUSE(1 AMP) (SWITCH POWER)
WWJ / 18 YEL	RIGHT REAR SLIDEOUT SWITCH (SWITCH POWER)	INLINE FUSE (1 AMP) (SWITCH POWER)
WWK / 18 YEL	RIGHT REAR SLIDEOUT SWITCH (LOW VOLTAGE LED)	SLIDEOUT MODULE (LOW VOLTAGE LED)
WWL / 18 YEL	RIGHT REAR SLIDEOUT SWITCH (PARK BRAKE LED)	SLIDEOUT MODULE (PARK BRAKE LED)
WWM / 18 YEL	RIGHT REAR SLIDEOUT MODULE (SWITCH POWER)	INLINE FUSE (1 AMP) (SWITCH POWER)
WWN / 18 YEL	RIGHT FRONT SLIDEOUT SWITCH (SWITCH POWER)	INLINE FUSE (1 AMP) (SWITCH POWER)
WWP / 18 YEL	RIGHT FRONT SLIDEOUT SWITCH (LOW VOLTAGE LED)	SLIDEOUT MODULE (LOW VOLTAGE LED)
WWR / 18 YEL	RIGHT FRONT SLIDEOUT SWITCH (PARK BRAKE LED)	SLIDEOUT MODULE (PARK BRAKE LED)
WWS / 18 YEL	RIGHT FRONT SLIDEOUT MODULE (SWITCH POWER)	INLINE FUSE (1 AMP) (SWITCH POWER)
WWT / 18 YEL	THERMOSTAT OR CONTROL BOARD (ZONE #2)	REMOTE SENSOR
WWU / 18 YEL	THERMOSTAT OR CONTROL BOARD (ZONE #2)	REMOTE SENSOR
WWV / 18 YEL	MULTIPLEX POSITIVE (MULTIPLEX CONTROL)	MULTIPLEX POSITIVE (MULTIPLEX DEVICE)
WWW / 18 WHT	MULTIPLEX NEGATIVE (MULTIPLEX CONTROL)	MULTIPLEX NEGATIVE (MULTIPLEX DEVICE)
WWX / 18 YEL	MULTIPLEX SIGNAL (MULTIPLEX CONTROL)	MULTIPLEX SIGNAL (MULTIPLEX DEVICE)
WWY / 18 YEL	LOAD SHEDDER RELAY NORMALLY CLOSED	A/C #2
WWZ / 18 YEL	LOAD SHEDDER RELAY COMMON	A/C #2
XXA / 18 YEL	LOAD SHEDDER RELAY NORMALLY CLOSED	A/C #3
XXB / 18 YEL	LOAD SHEDDER RELAY COMMON	A/C #3

08/29/09
REPORT 3593-1

WIRE IDENTIFICATION CHART

CODE / COLOR	FROM:	TO:
XXC / 16 YEL	BATTERY DISC SWITCH (MONOPLEX SIGNAL)	BATTERY DISC MODULE (MONOPLEX SIGNAL)
XXD / 16 WHT	BATTERY DISC SWITCH (GROUND)	BATTERY DISC MODULE (GROUND)
XXE / 16 YEL	BATTERY DISC SWITCH (CHASSIS VOLTAGE)	BATTERY DISC MODULE (CHASSIS VOLTAGE)
XXF / 16 YEL	BATTERY DISC SWITCH (COACH VOLTAGE)	BATTERY DISC MODULE (COACH VOLTAGE)
XXG / 16 WHT	LOAD SHEDDER 12V RELAY POSITION 1 (NORMALLY CLOSED)	A/C #1 B- GROUND TERMINAL (TOTAL UNIT SHED)
XXH / 16 WHT	LOAD SHEDDER 12V RELAY POSITION 10 (NORMALLY CLOSED)	A/C #2 B- GROUND TERMINAL (TOTAL UNIT SHED)
XXJ / 18 YEL	LOAD SHEDDER RELAY NORMALLY CLOSED	A/C #1
XXK / 18 YEL	LOAD SHEDDER RELAY COMMON	A/C #1