

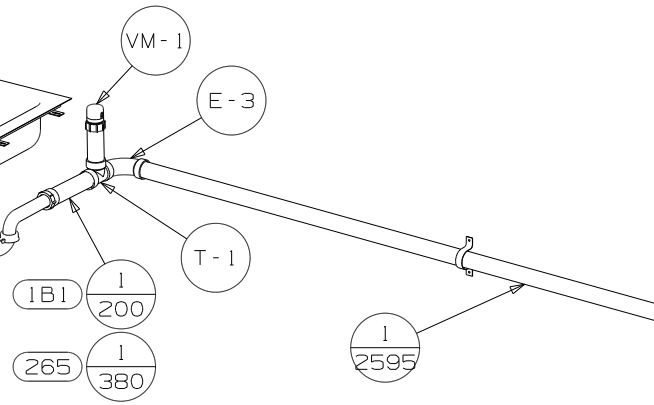
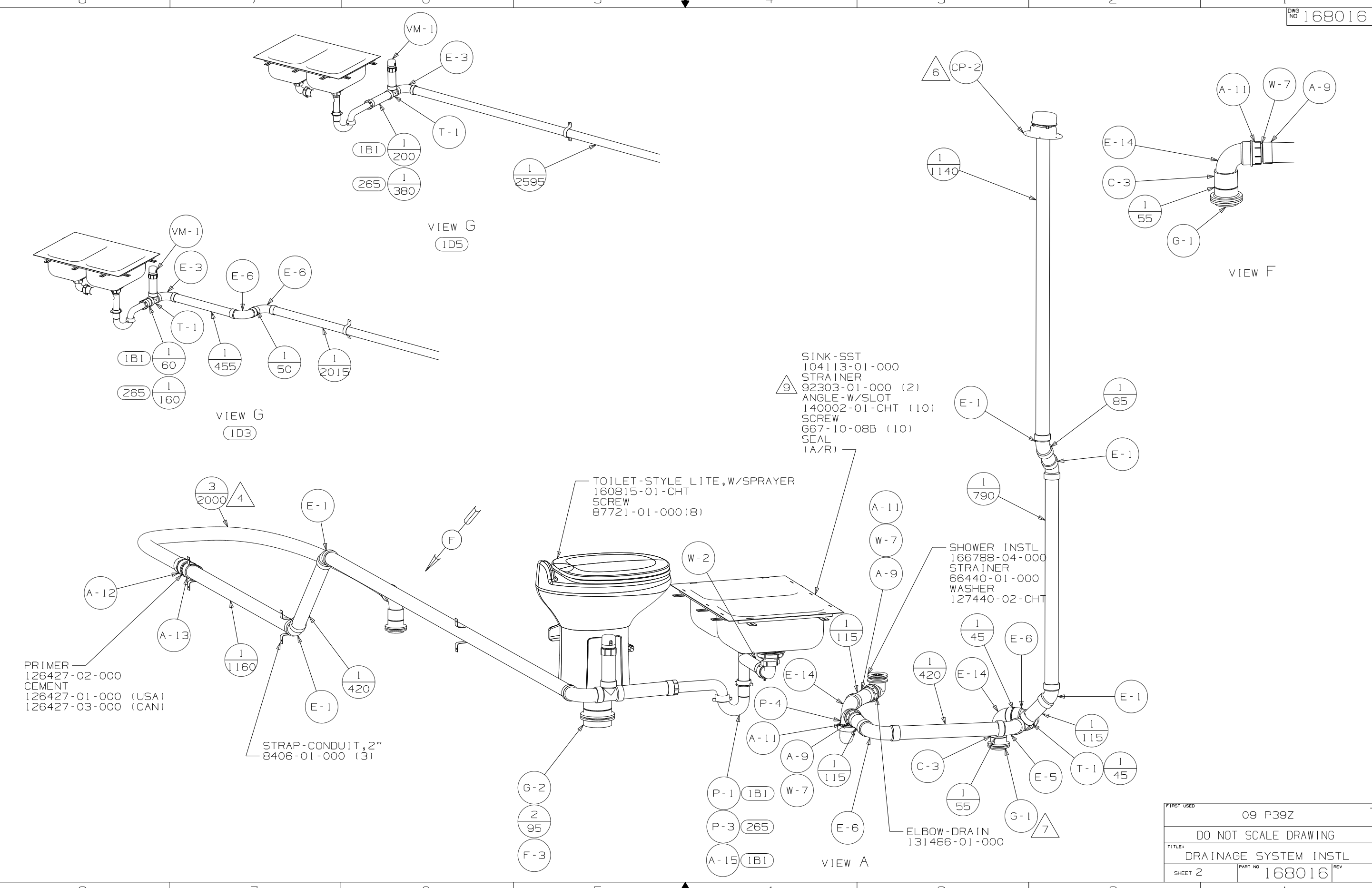
- (1D3) ENTERTAIN CENTR/EXT TV-DVD
- (1D5) ENTERTAINMENT CENTR/EXT W/CD
- (1B1) CODES/STANDARDS-USA
- (265) CODES/STDS-CSA-/CMVSS
- (54E) WASHER/DRYER
- (21M) WASHER/DRYER PREP

- 9. USE SMOOTH PLUMBERS PUTTY 167459-01-000 TO SEAL STRAINER (.2 PER SRAINER).
- 8. SECURE DRAINAGE PIPES TO CABINET USING WIRE TIE 108046-02-000, AND SCREW G67-10-12B AT INTERVALS OF NOT MORE THAN 4 FEET APART.
- 7. SECURE VENT PIPE TO FLOOR WITH CLAMP 62401-02-000 (2), SCREW G67-10-12B (2), BRACKET 136878-01-CHT (2).
- 6. VENT PIPE MUST PROJECT 51 MIN AND 64 MAX ABOVE ROOF FOR PROPER FIT AND FUNCTION.
- 5. SEAL AROUND SHOWER WITH SILICONE.
- 4. DO NOT ATTACH ANY OTHER SYSTEM TO PIPE-FLEX 126426-01.
- 3. ALL PIPE AND FITTINGS TO BE ASSEMBLED WITH SOLVENT 4020-01-000 (USA), 4020-02-000 (CAN)
- 2. SLOPE OF TRAP ARM MUST BE 6 PER 305 mm.
- 1. SLOPE OF HORIZONTAL PIPING TO BE MINIMUM OF 3 PER 305 mm.

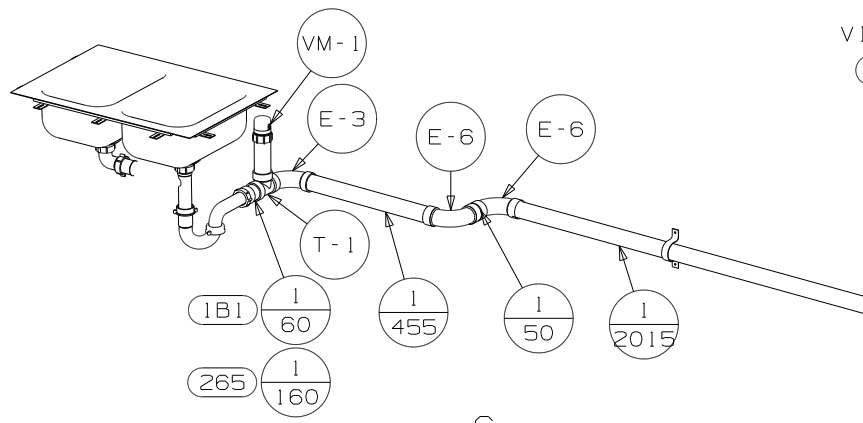
NOTES:

(X-X)
FOR
DRAINAGE
CALLOUTS
SEE DWG NO
116229-01-000

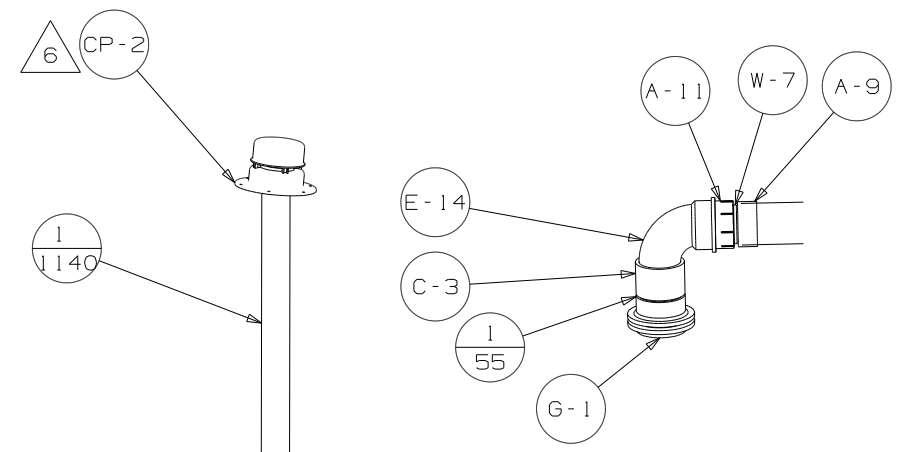
WINNEBAGO		COPYRIGHT 2008 WINNEBAGO INDUSTRIES, INC.	
DFTR	ORIG. DATE	ALL DIMENSIONS ARE IN MILLIMETERS	
CHKR		FIRST USED	
P.E.		09 P39Z	
M.E.		UNSPECIFIED TOLERANCES ARE:	
DSNR		MATERIAL:	
		WHOLE DIM (X)	: 3
		ONE-PLACE (X.X)	: 1.5
		TWO-PLACE (X.XX)	: 0.50
		ANGLE	: 1°
THIRD ANGLE PROJECTION		DO NOT SCALE DRAWING	
TITLE: DRAINAGE SYSTEM INSTL			
SHEET 1 OF 4	PART NO	168016	REV
REF:	1 8/6/2008		



VIEW G
ID5



VIEW G
ID3



VIEW F

- SINK-SST 104113-01-000
- STRAINER 92303-01-000 (2)
- ANGLE-W/SLOT 140002-01-CHT (10)
- SCREW G67-10-08B (10)
- SEAL (A/R)

- TOILET-STYLE LITE, W/SPRAYER 160815-01-CHT
- SCREW 87721-01-000 (8)

- SHOWER INSTL 166788-04-000
- STRAINER 66440-01-000
- WASHER 127440-02-CHT

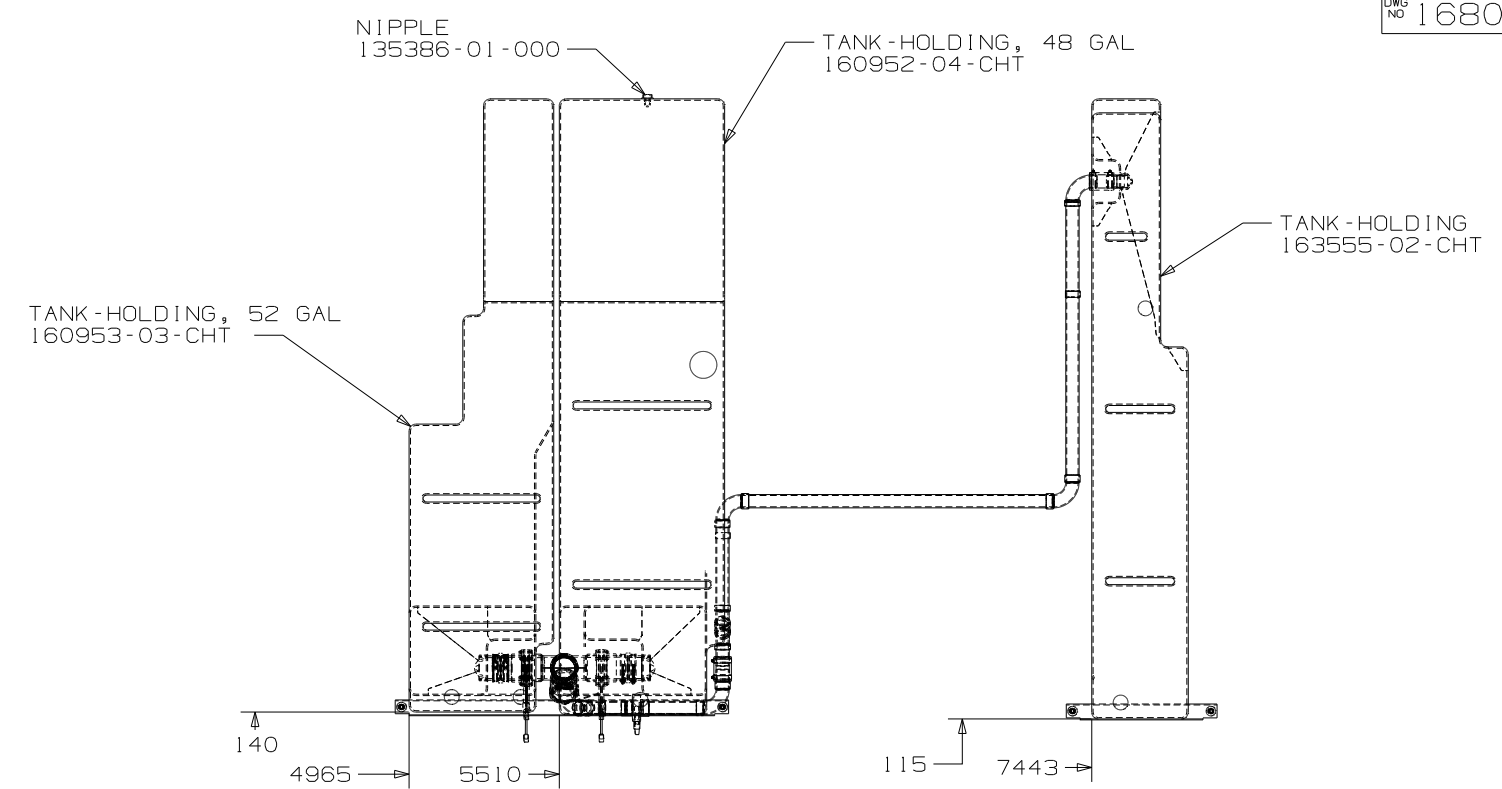
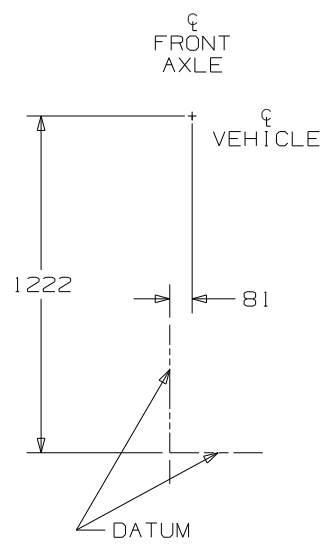
- PRIMER 126427-02-000
- CEMENT 126427-01-000 (USA)
- 126427-03-000 (CAN)

- STRAP-CONDUIT, 2" 8406-01-000 (3)

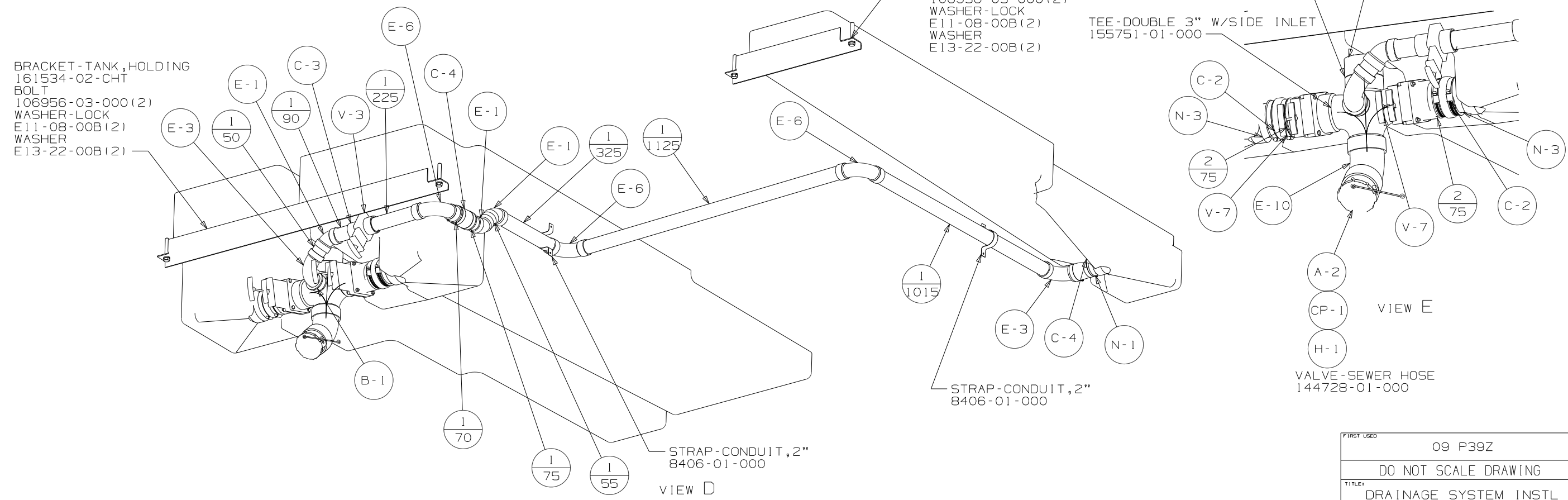
- ELBOW-DRAIN 131486-01-000

VIEW A

FIRST USED	09 P39Z	
TITLE	DRAINAGE SYSTEM INSTL	
SHEET 2	PART NO 168016	REV



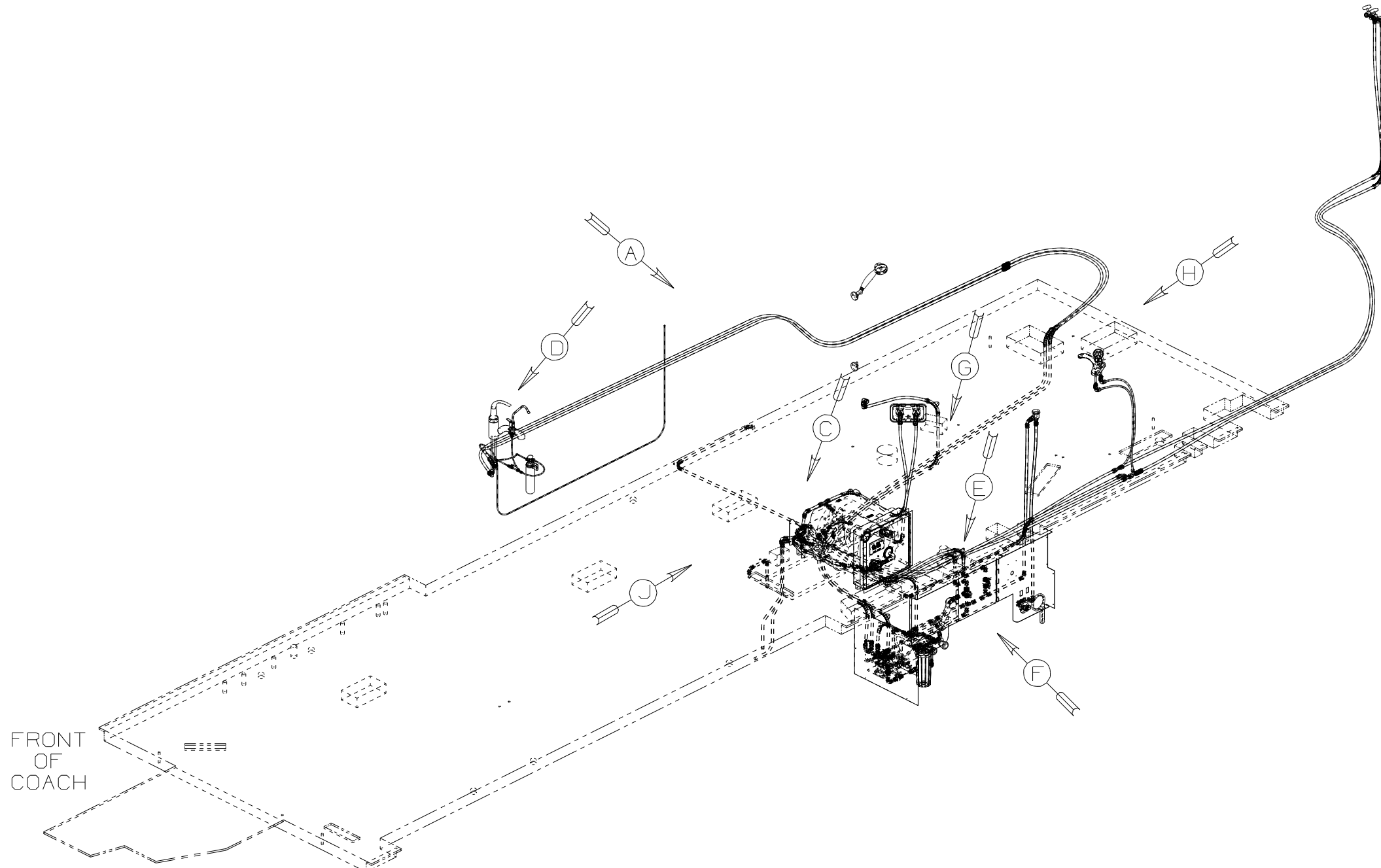
VIEW C



FIRST USED	09 P39Z		
TITLE	DO NOT SCALE DRAWING		
	DRAINAGE SYSTEM INSTL		
SHEET 4	PART NO	168016	REV

8 7 6 5 4 3 2

RELEASE	REV DATE	DWG NO
A		168017
REV ZONE	REVISION RECORD	DATE



FRONT OF COACH

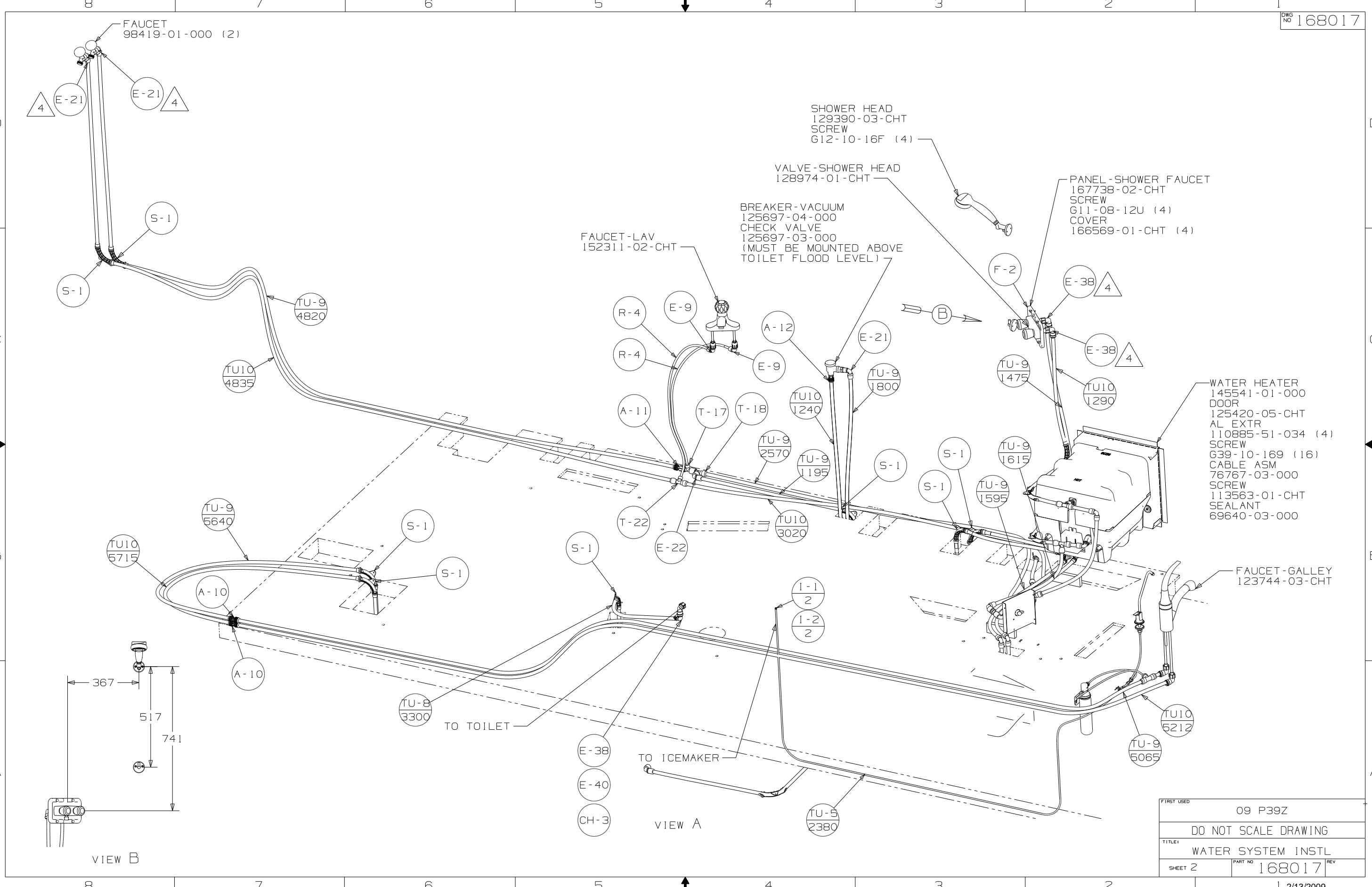
- NOTES:
- 6 ADD TEFLON TAPE 10405-03-000.
 - 5 ADD TEFLON TAPE 10405-02-000.
 - 4 ADD TEFLON TAPE 10405-01-000.
 - 3. ALL TUBING TO BE SECURED AT 1200 INTERVALS MAXIMUM WITH CLAMP 10495-01-000 AND SCREW G67-10-12B OR EQUIVALENT.
 - 2. TUBING TO BE INSTALLED WITH SUFFICIENT SLOPE TO PROVIDE DRAINAGE TO NEAREST VALVE.
 - 1. PLASTIC FITTINGS TO BE SEALED WITH SEALANT 84456-01-000.

79W REFRIGERATOR-4 DOOR

WINNEBAGO		COPYRIGHT 2009 WINNEBAGO INDUSTRIES, INC.	
DFT	ORIG. DATE	ALL DIMENSIONS ARE IN MILLIMETERS	
CHKR		FIRST USED	
P.E.		09 P39Z	
M.E.		UNSPECIFIED TOLERANCES ARE:	
DSNR		MATERIAL:	
		WHOLE DIM (X)	: 3
		ONE-PLACE (X.X)	: 1.5
		TWO-PLACE (X.XX)	: 0.50
		ANGLE	: 1°
THIRD ANGLE PROJECTION			
DO NOT SCALE DRAWING			
TITLE: WATER SYSTEM INSTL			
SHEET 1 OF 6	PART NO	168017	
REF1	1 2/13/2009		

X-X
FOR WATER CALLOUTS SEE DWG NO 116230-01-000

8 7 6 5 4 3 2



SHOWER HEAD
129390-03-CHT
SCREW
G12-10-16F (4)

VALVE-SHOWER HEAD
128974-01-CHT

PANEL-SHOWER FAUCET
167738-02-CHT
SCREW
G11-08-12U (4)
COVER
166569-01-CHT (4)

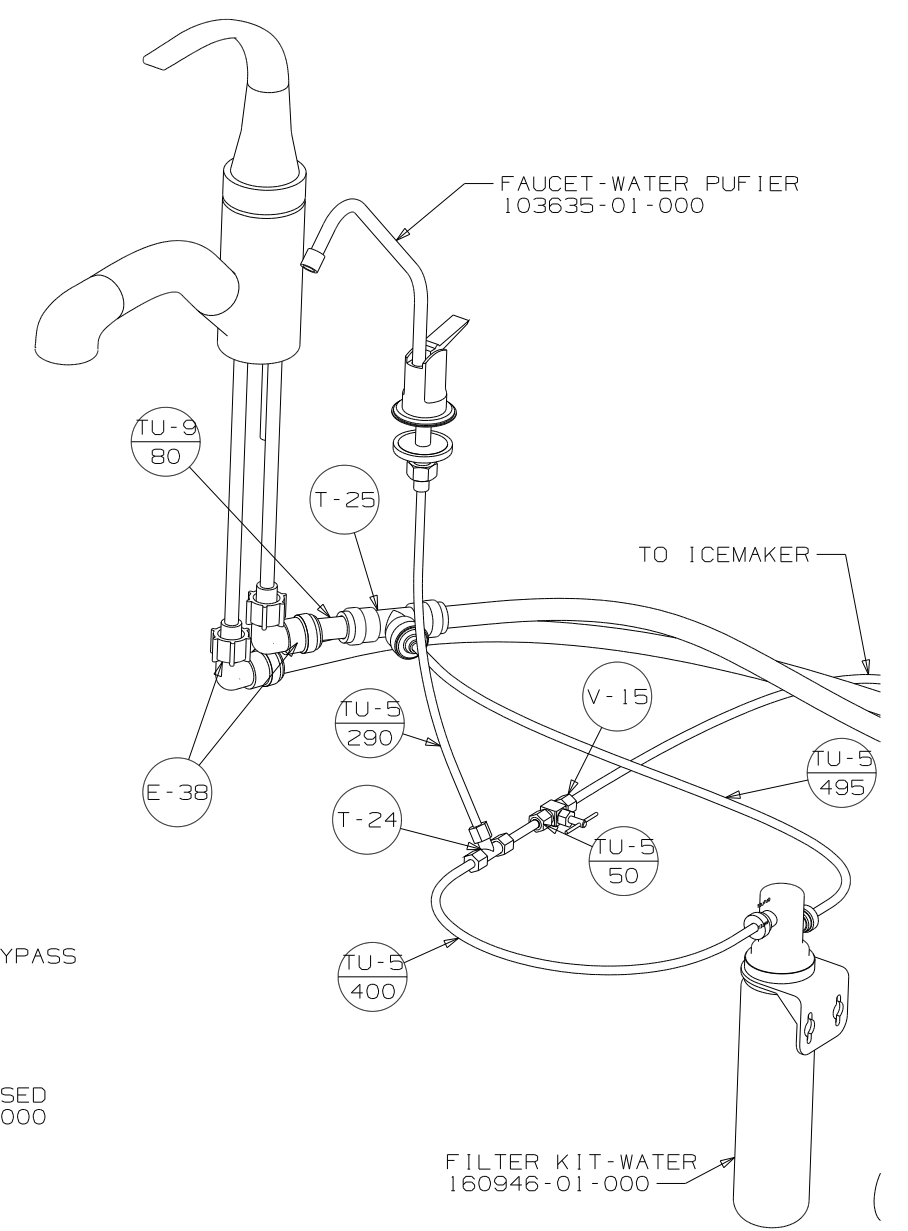
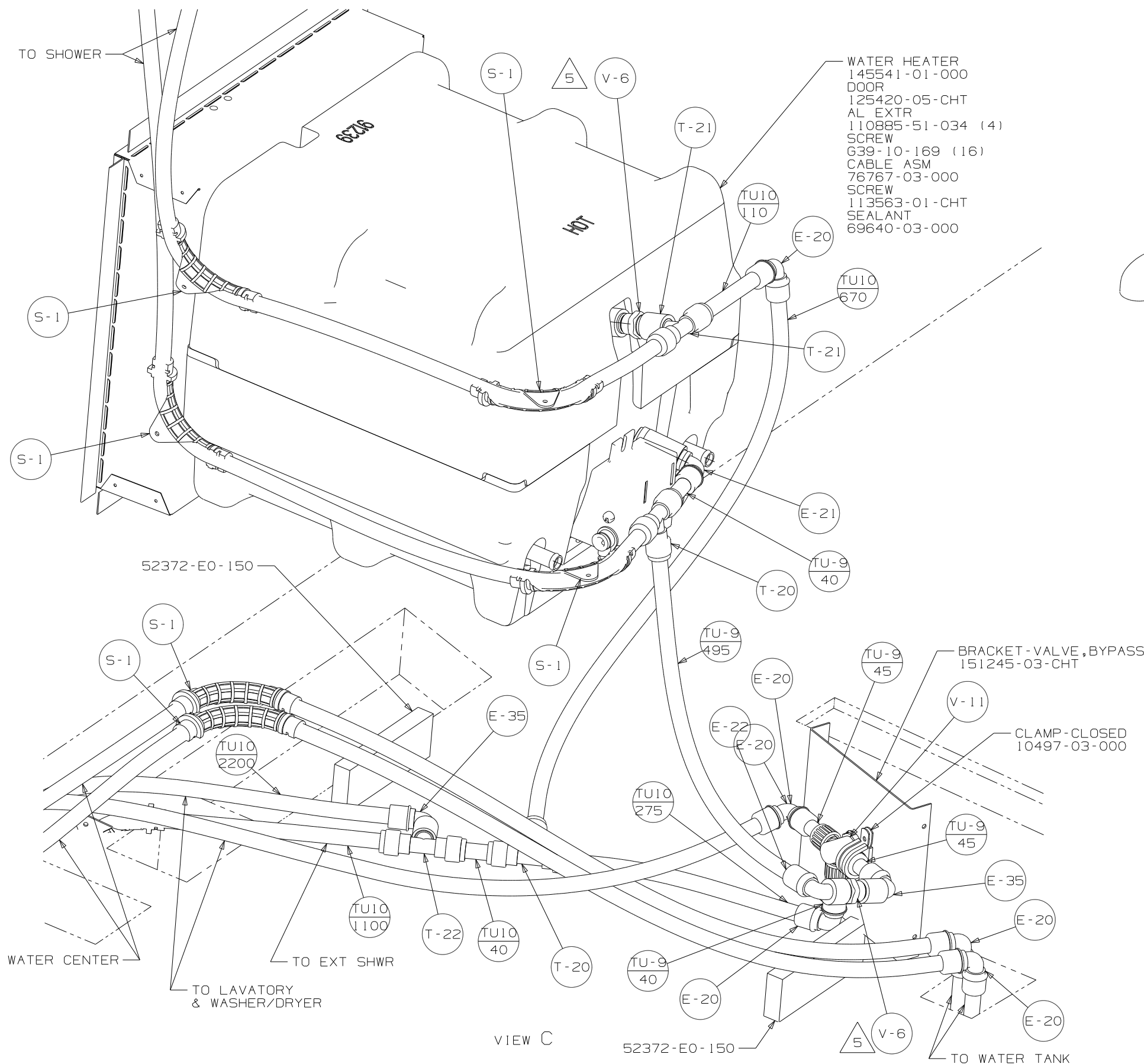
BREAKER-VACUUM
125697-04-000
CHECK VALVE
125697-03-000
(MUST BE MOUNTED ABOVE
TOILET FLOOD LEVEL)

FAUCET-LAV
152311-02-CHT

WATER HEATER
145541-01-000
DOOR
125420-05-CHT
AL EXTR
110885-51-034 (4)
SCREW
G39-10-169 (16)
CABLE ASM
76767-03-000
SCREW
113563-01-CHT
SEALANT
69640-03-000

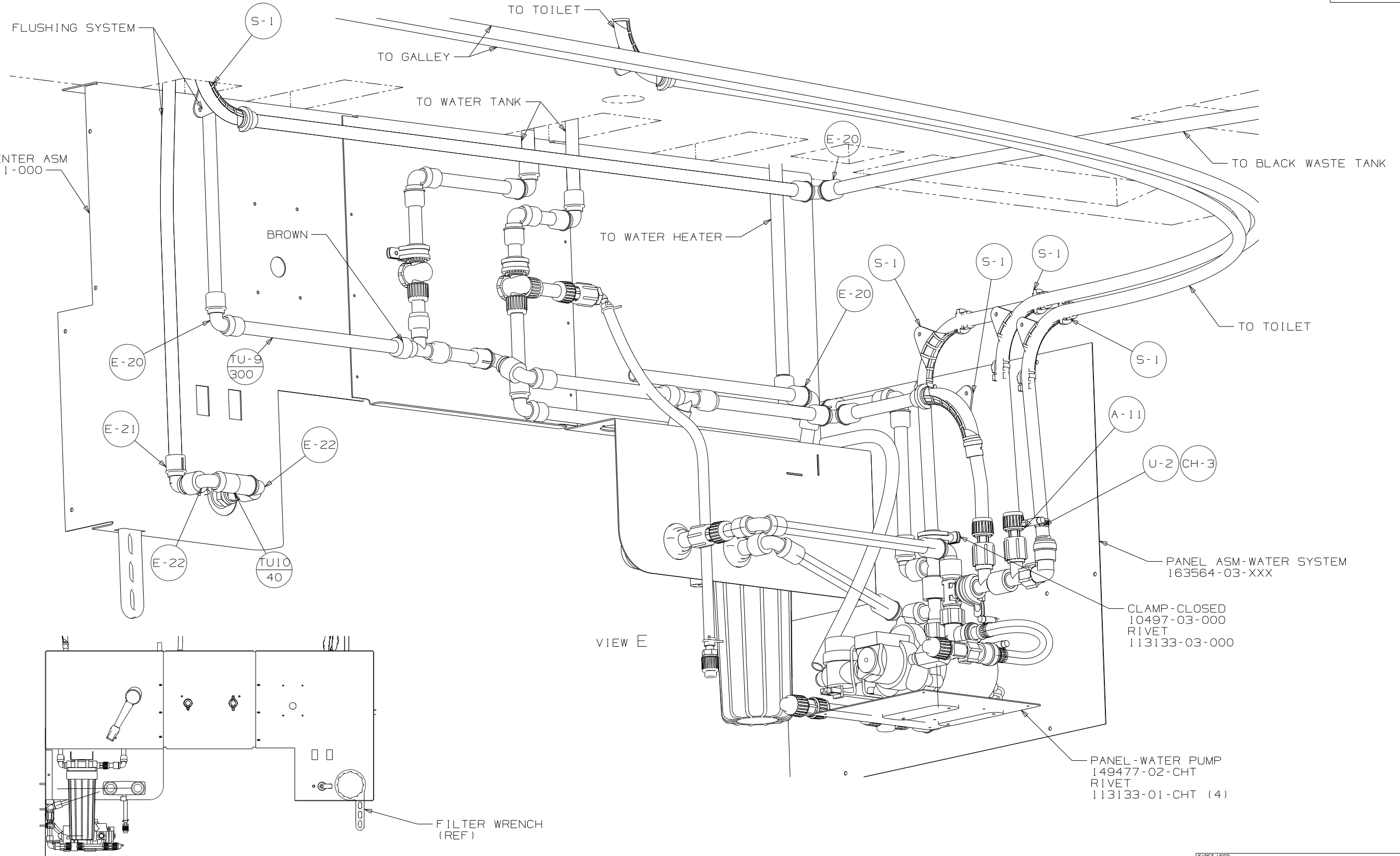
FAUCET-GALLEY
123744-03-CHT

FIRST USED	09 P39Z
DO NOT SCALE DRAWING	
TITLE:	WATER SYSTEM INSTL
SHEET 2	PART NO 168017 REV



VIEW D
29B

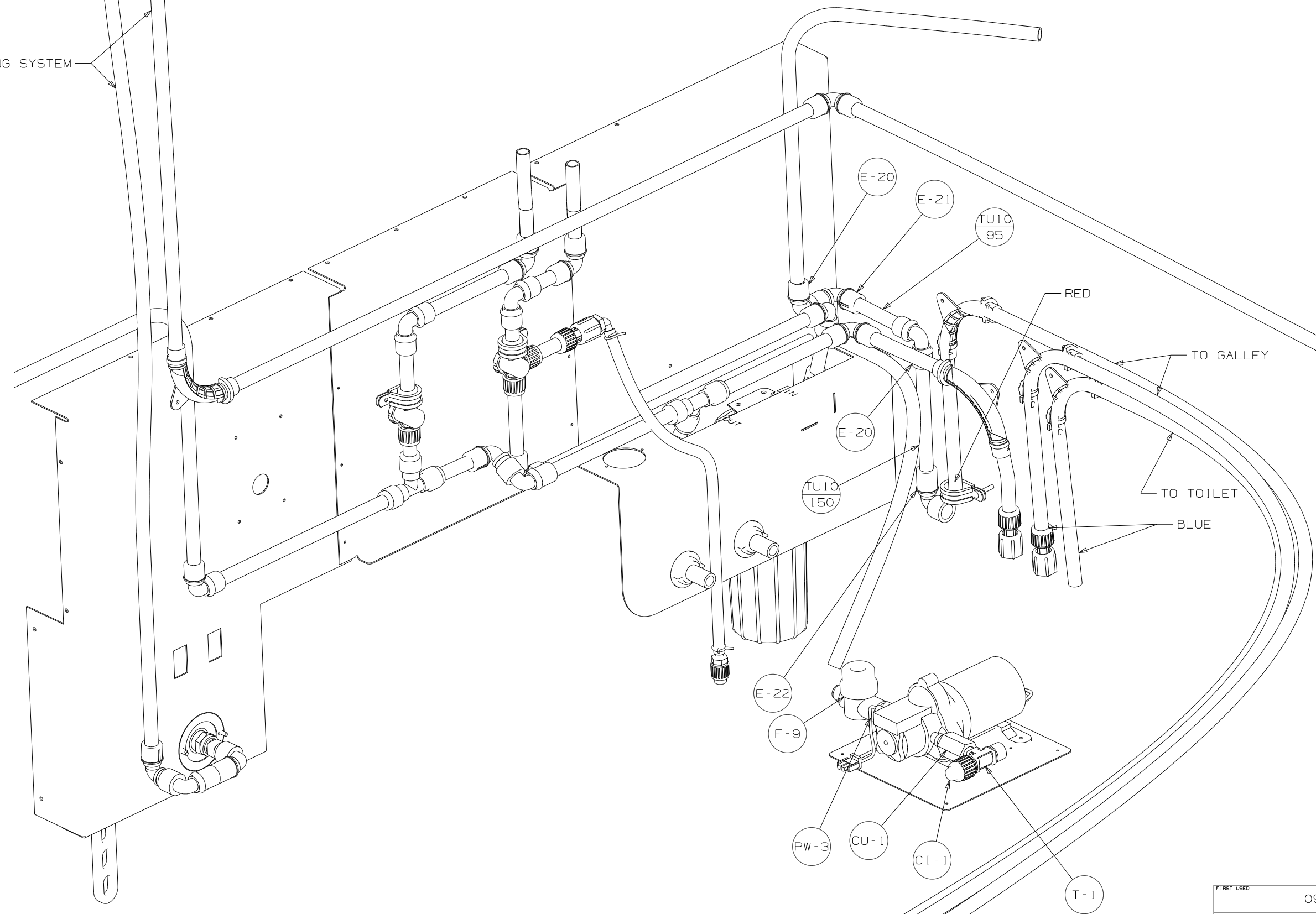
FIRST USED	09 P39Z
DO NOT SCALE DRAWING	
TITLE:	WATER SYSTEM INSTL
SHEET 3	PART NO 168017 REV
1 2/13/2009	



VIEW F

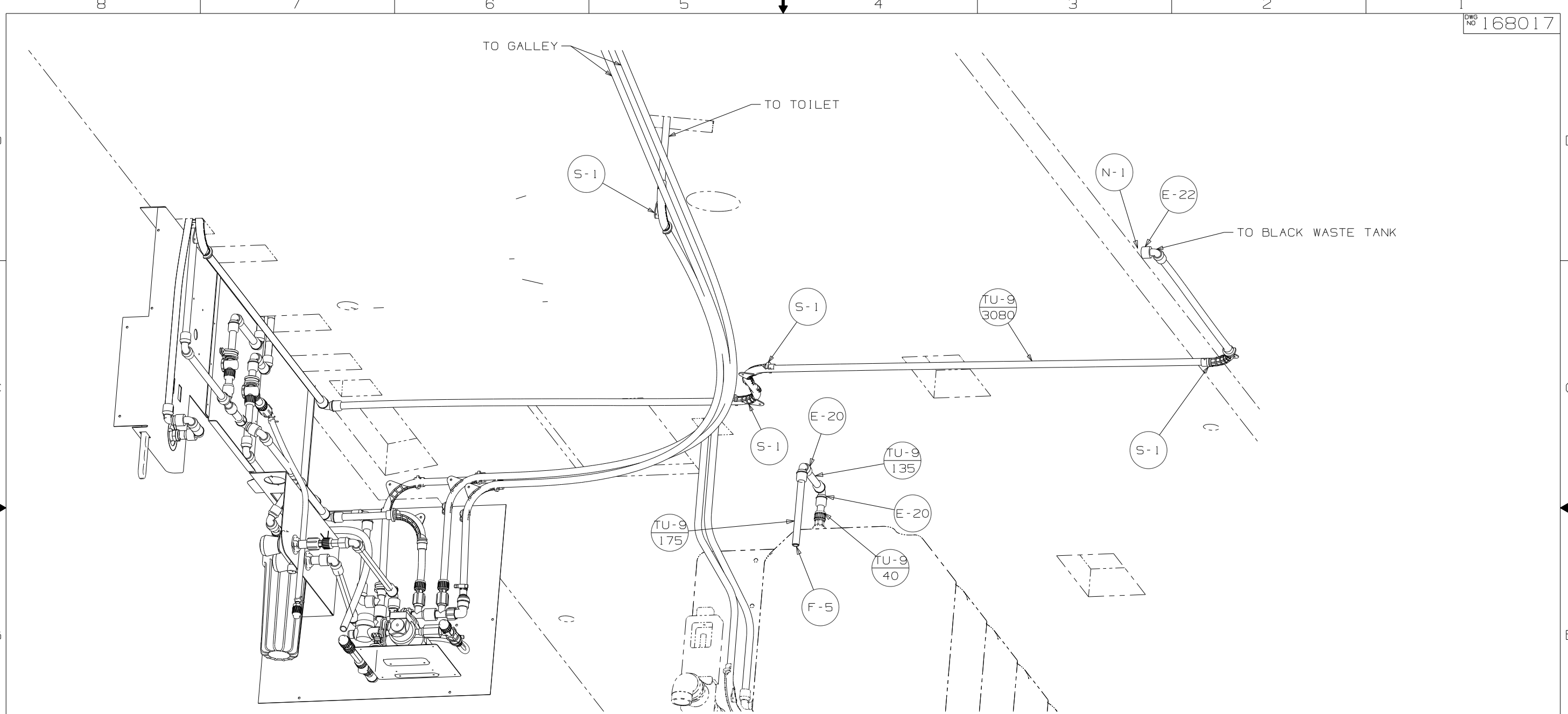
FIRST USED	09 P39Z
DO NOT SCALE DRAWING	
TITLE	WATER SYSTEM INSTL
SHEET 4	PART NO 168017 REV

FLUSHING SYSTEM

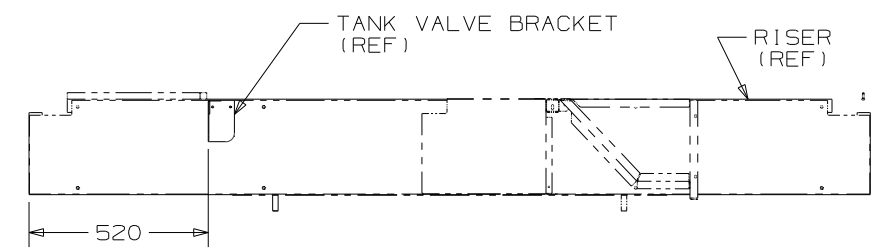


VIEW G
FLOOR NOT SHOWN

FIRST USED	09 P39Z
TITLE	DO NOT SCALE DRAWING
SHEET 5	168017
PART NO	REV



VIEW H



VIEW J

FIRST USED	09 P39Z		
TITLE	DO NOT SCALE DRAWING		
	WATER SYSTEM INSTL		
SHEET 6	PART NO	168017	REV