

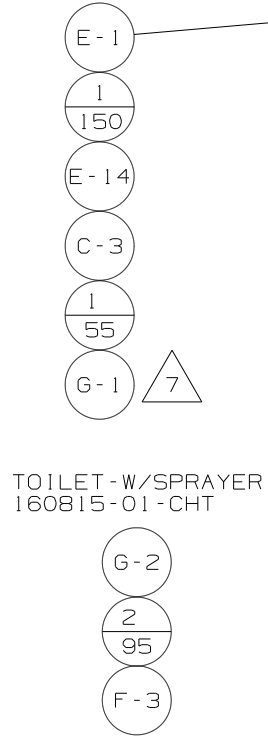
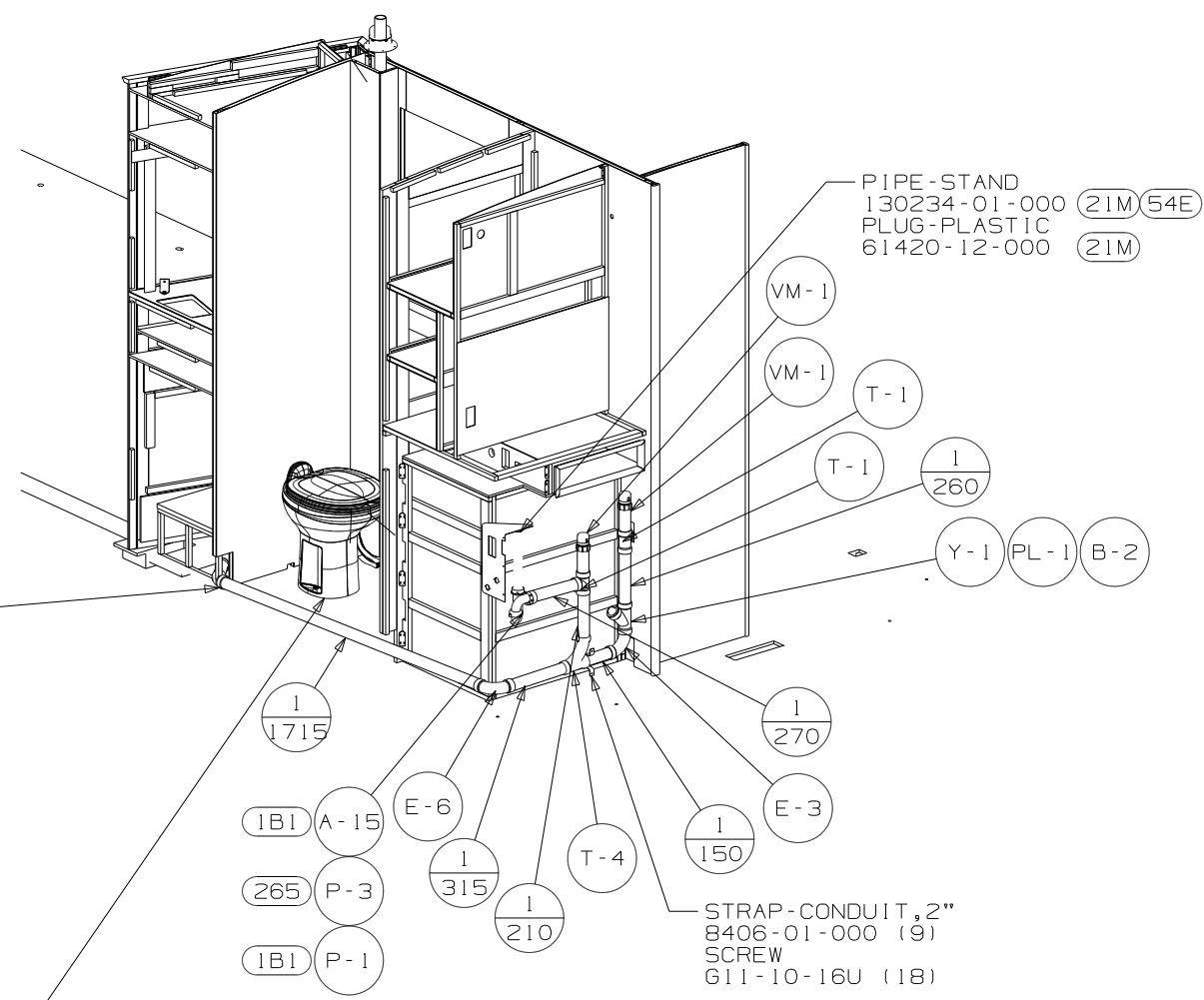
- NOTES:
9. USE SMOOTH PLUMBERS PUTTY 167459-01-000 TO SEAL STRAINER (0.2 PER STRAINER).
 8. SECURE DRAINAGE PIPES TO CABINET USING WIRE TIE 108046-02-000, AND SCREW G67-10-12B AT INTERVALS OF NOT MORE THAN 4 FEET APART.
 7. SECURE VENT PIPE TO FLOOR WITH CLAMP 62401-02-000 (2), SCREW G67-10-12B (2), BRACKET 136878-01-CHT (2).
 6. VENT PIPE MUST PROJECT 51 MIN AND 64 MAX ABOVE ROOF FOR PROPER FIT AND FUNCTION.
 5. SEAL AROUND SHOWER WITH SILICONE.
 4. SINK ATTACHMENT HARDWARE INCLUDED WITH SINK.
 3. ALL PIPE AND FITTINGS TO BE ASSEMBLED WITH SOLVENT 4020-01-000 (USA), 4020-02-000 (CAN)
 2. SLOPE OF TRAP ARM MUST BE 6 PER 305 mm.
 1. SLOPE OF HORIZONTAL PIPING TO BE MINIMUM OF 3 PER 305 mm.

- (54E) WASHER/DRYER
- (21M) WASHER/DRYER PREP

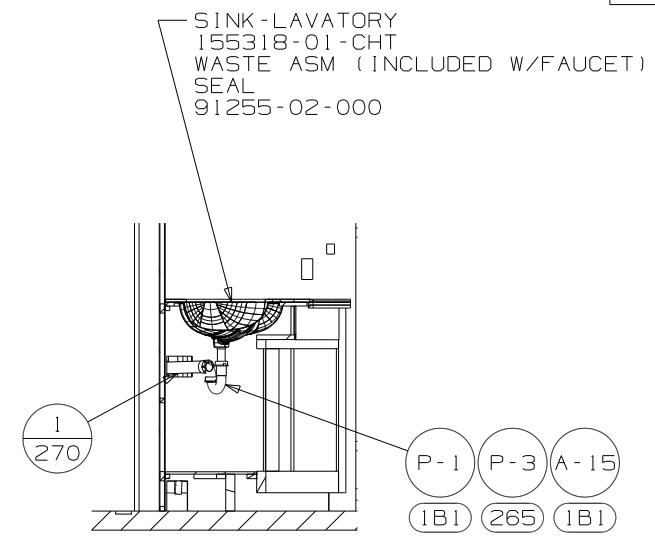
WINNEBAGO		COPYRIGHT 2008 WINNEBAGO INDUSTRIES, INC.	
DFT	ORIG. DATE	ALL DIMENSIONS ARE IN MILLIMETERS	
CHKR		FIRST USED	
P.E.		09 P37H	
M.E.		UNSPECIFIED TOLERANCES ARE:	
DSNR		MATERIAL:	
		WHOLE DIM (X)	: 3
		ONE-PLACE (X.X)	: 1.5
		TWO-PLACE (X.XX)	: 0.50
		ANGLE	: 1°
		THIRD ANGLE PROJECTION	
DO NOT SCALE DRAWING			
TITLE: DRAINAGE SYSTEM INSTL			
SHEET 1 OF 4	PART NO	167896	REV

FOR
DRAINAGE
CALLOUTS
SEE DWG NO
116229-01-000

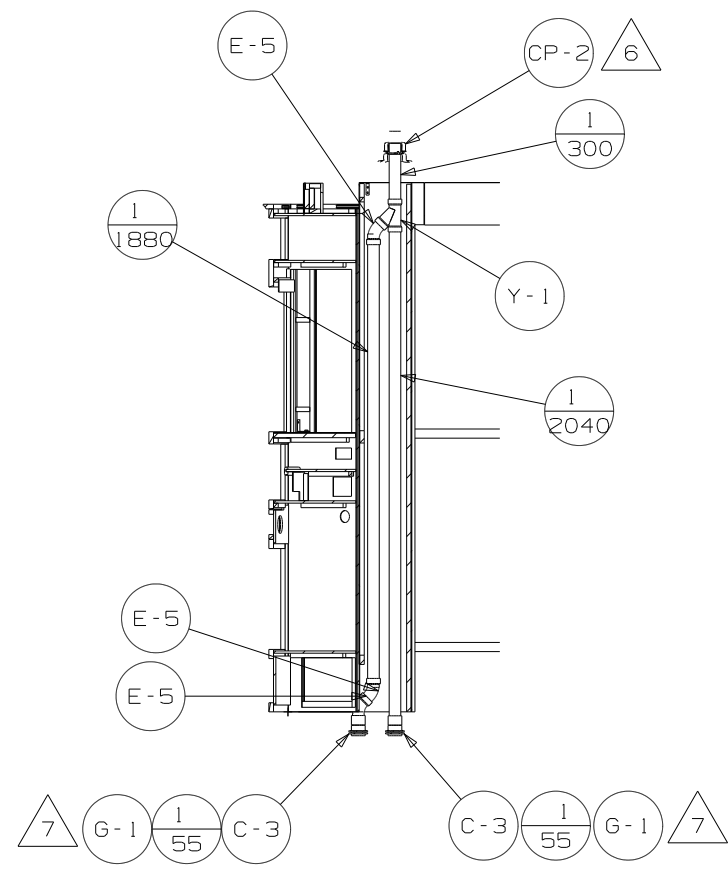




VIEW A



SECTION C-C
(ROTATED 180°)

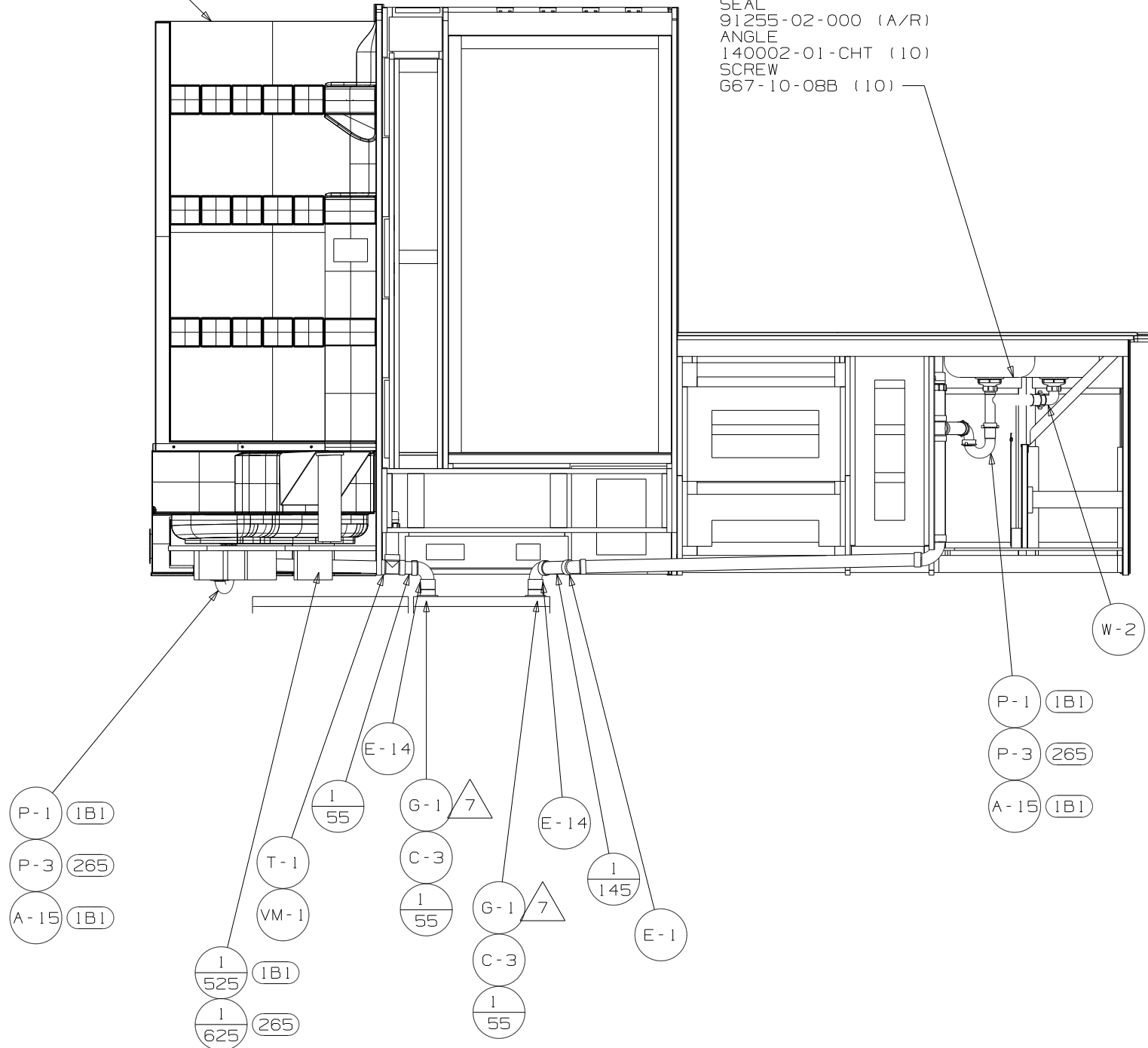


SECTION B-B

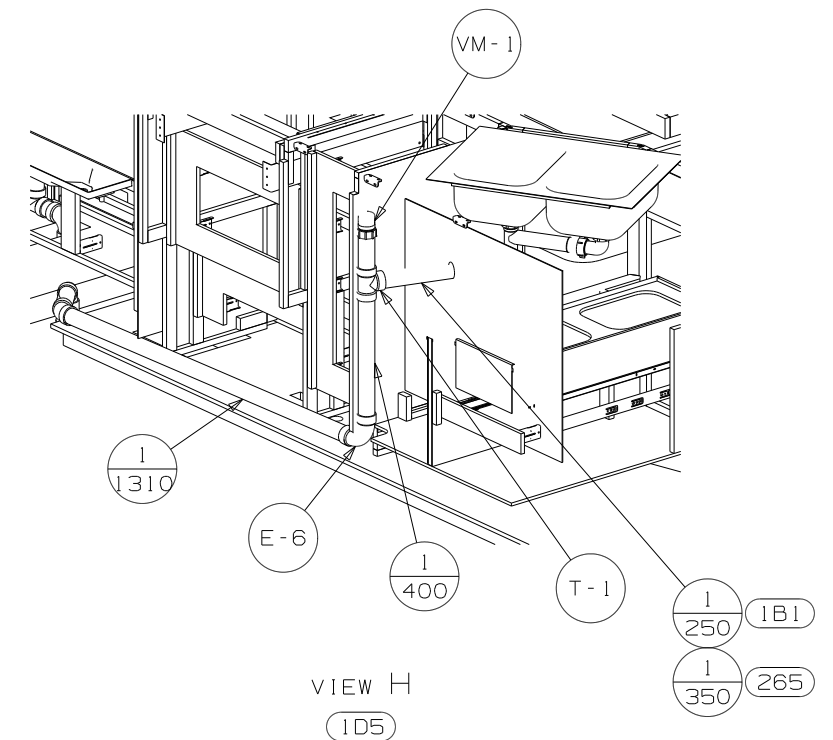
FIRST USED	09 P37H	
TITLE	DO NOT SCALE DRAWING	
	DRAINAGE SYSTEM INSTL	
SHEET 2	PART NO 167896	REV

SHOWER INSTL
166788-07-000
STRAINER
66440-01-000
WASHER
127440-02-CHT
TAILPIECE
11069-06-000

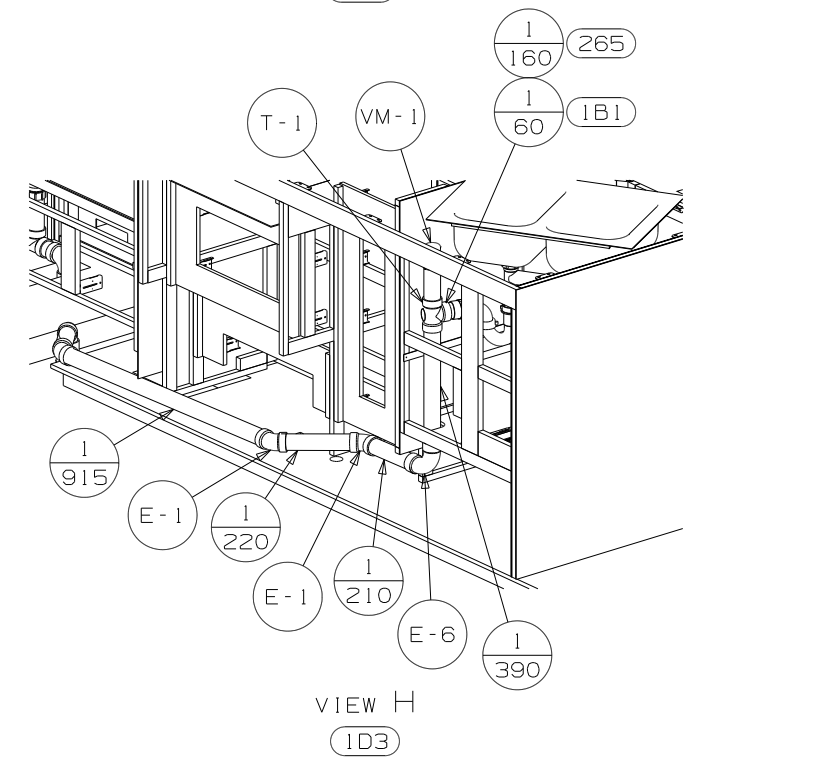
4 SINK - GALLEY, DBL
104113-01-000
STRAINER
92303-01-000 (2)
SEAL
91255-02-000 (A/R)
ANGLE
140002-01-CHT (10)
SCREW
G67-10-08B (10)



VIEW D
(ROTATED 180°)

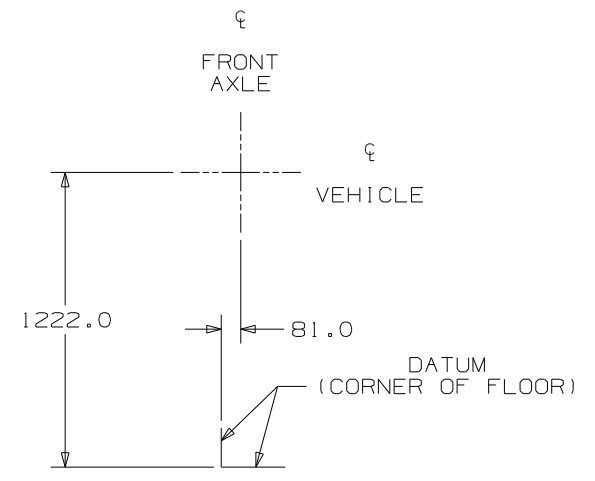


VIEW H
(1D5)

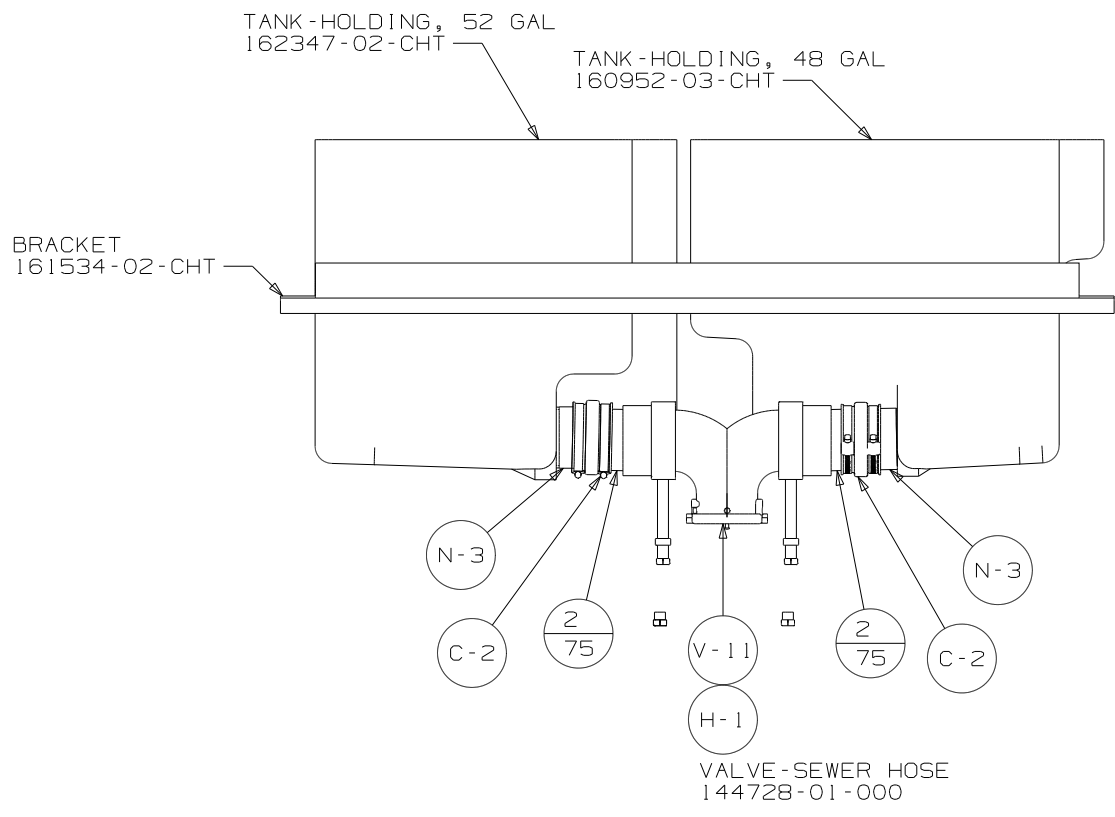
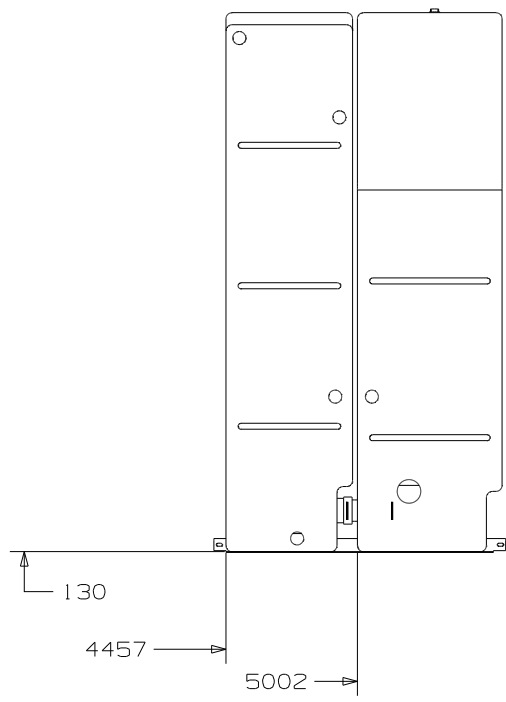


VIEW H
(1D3)

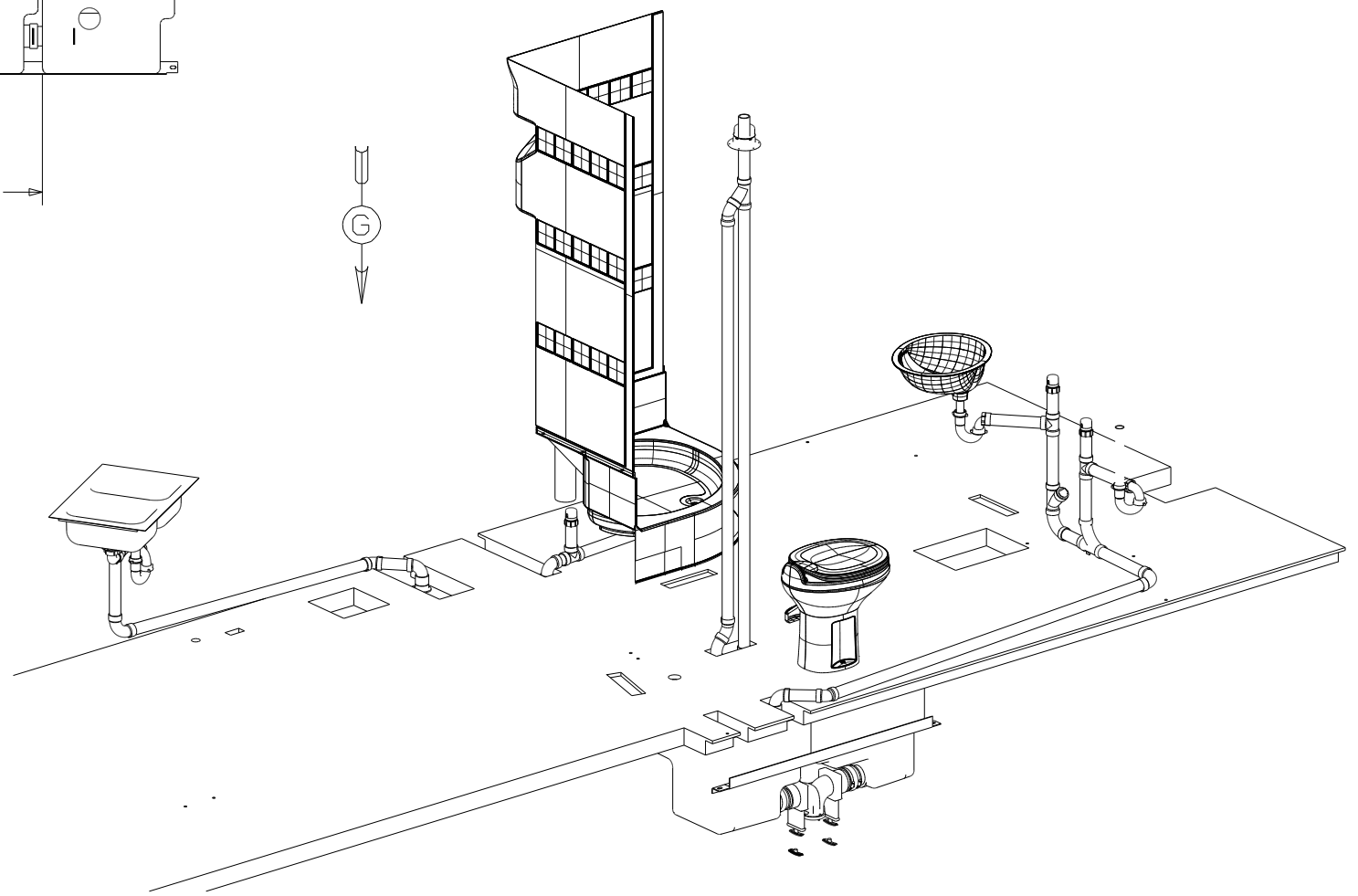
FIRST USED	09 P37H		
TITLE	DO NOT SCALE DRAWING		
	DRAINAGE SYSTEM INSTL		
SHEET 3	PART NO	167896	REV



VIEW G



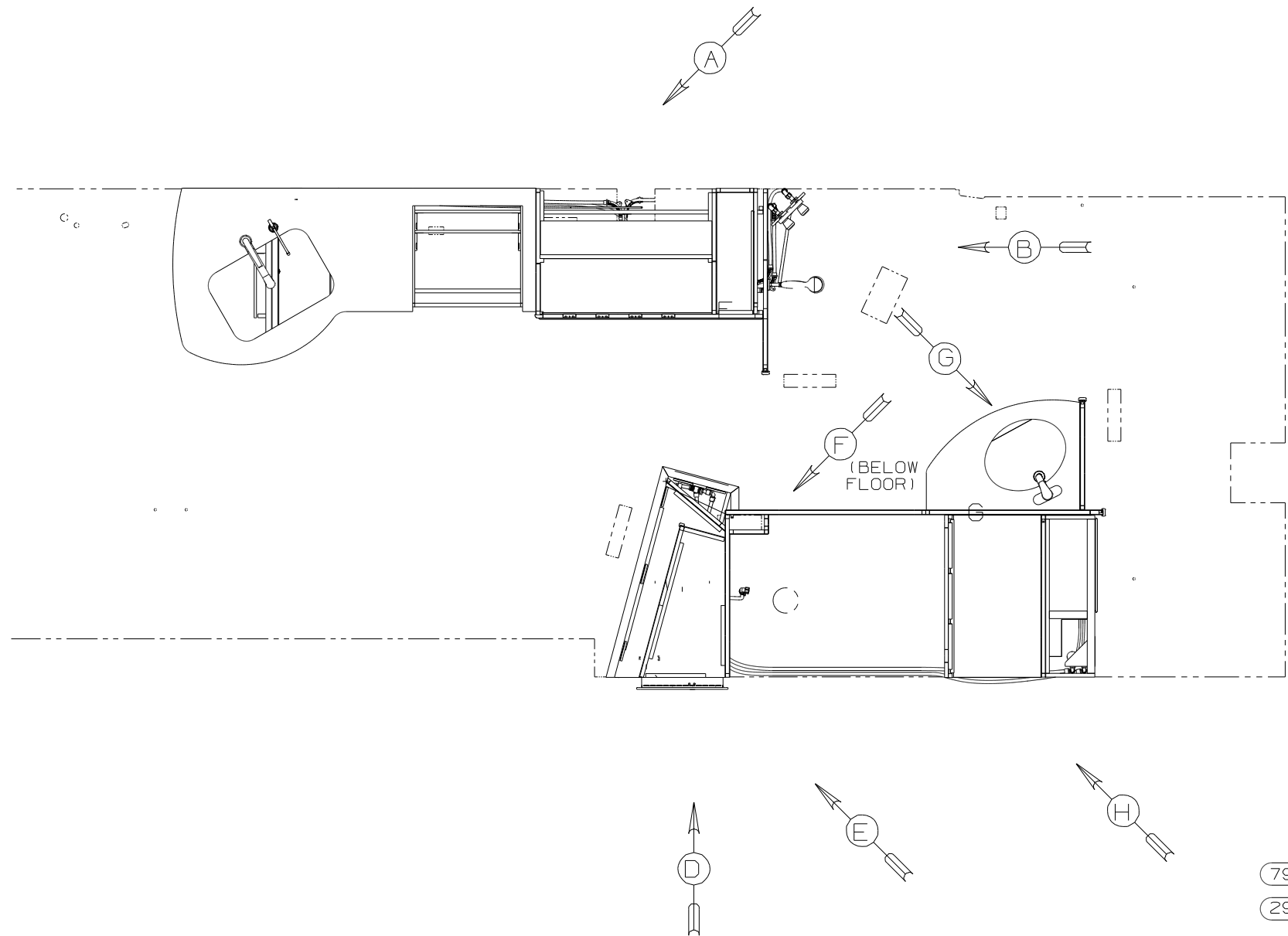
VIEW E



FIRST USED	09 P37H		
TITLE	DO NOT SCALE DRAWING		
	DRAINAGE SYSTEM INSTL		
SHEET 4	PART NO	167896	REV

8 7 6 5 4 3 2

RELEASE	REV DATE	DWG NO
A		167897
REV ZONE	REVISION RECORD	DATE DFR-016



- (79W) REFRIGERATOR-4 DOOR W/ICEMAKER
- (29B) PURIFIER-WATER

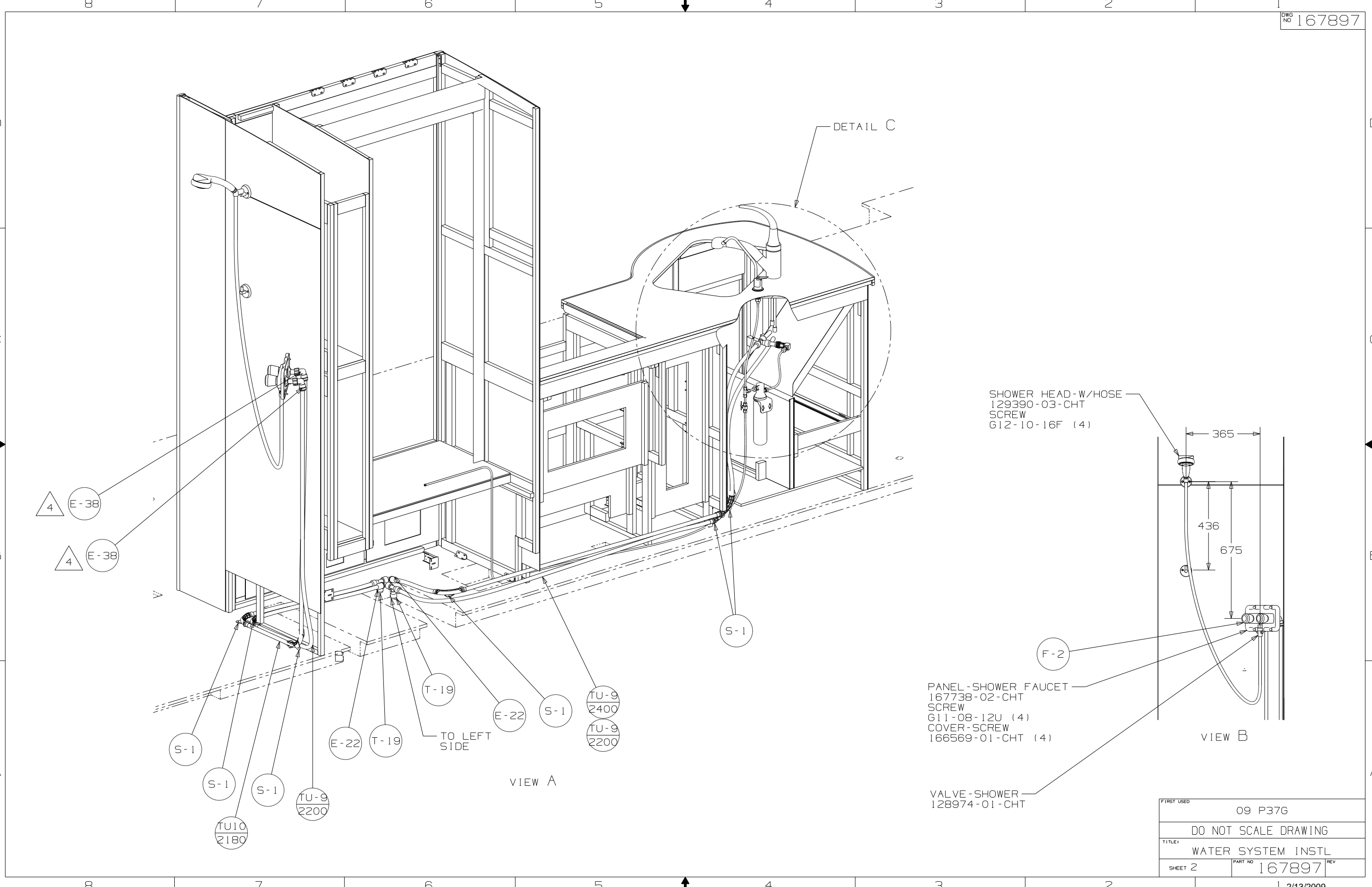
- 7 ADD PIPE WRAP (LADDER SCRAP 110157-02-000) INSULATION.
 - 6 ADD TEFLON TAPE 10405-03-000.
 - 5 ADD TEFLON TAPE 10405-02-000.
 - 4 ADD TEFLON TAPE 10405-01-000.
3. ALL TUBING TO BE SECURED AT 1200 INTERVALS MAXIMUM WITH CLAMP 10495-01-000 AND SCREW G67-10-12B OR EQUIVALENT.
 2. TUBING TO BE INSTALLED WITH SUFFICIENT SLOPE TO PROVIDE DRAINAGE TO NEAREST VALVE.
 1. PLASTIC FITTINGS TO BE SEALED WITH SEALANT 84456-01-000.

NOTES:

(X-X)
FOR
WATER
CALLOUTS
SEE DWG NO
116230-01-000

WINNEBAGO		COPYRIGHT 2009 WINNEBAGO INDUSTRIES, INC.	
DFTR	ORIG. DATE	ALL DIMENSIONS ARE IN MILLIMETERS	
CHKR		FIRST USED	
P.E.		09 P37G	
M.E.		UNSPECIFIED TOLERANCES ARE:	
DSNR		MATERIAL:	
		WHOLE DIM (X)	: 3
		ONE-PLACE (X.X)	: 1.5
		TWO-PLACE (X.XX)	: 0.50
		ANGLE	: 1°
THIRD ANGLE PROJECTION		DO NOT SCALE DRAWING	
TITLE: WATER SYSTEM INSTL			
SHEET 1 OF 6	PART NO	167897	REV

8 7 6 5 4 3 2



4 E-38
4 E-38

S-1
S-1
S-1
TU-9 2180
E-22
T-19
T-19
E-22
S-1
E-22
S-1
TU-9 2400
TU-9 2200

TO LEFT SIDE

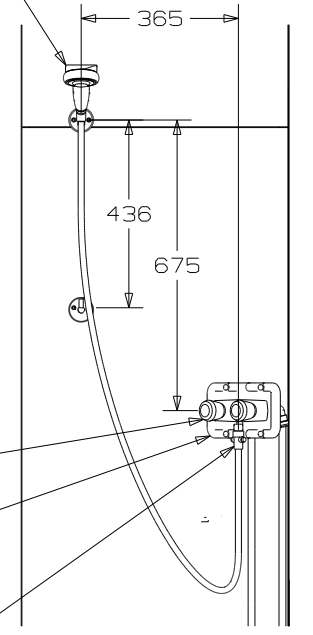
VIEW A

DETAIL C

SHOWER HEAD-W/HOSE
129390-03-CHT
SCREW
G12-10-16F (4)

PANEL-SHOWER FAUCET
167738-02-CHT
SCREW
G11-08-12U (4)
COVER-SCREW
166569-01-CHT (4)

VALVE-SHOWER
128974-01-CHT



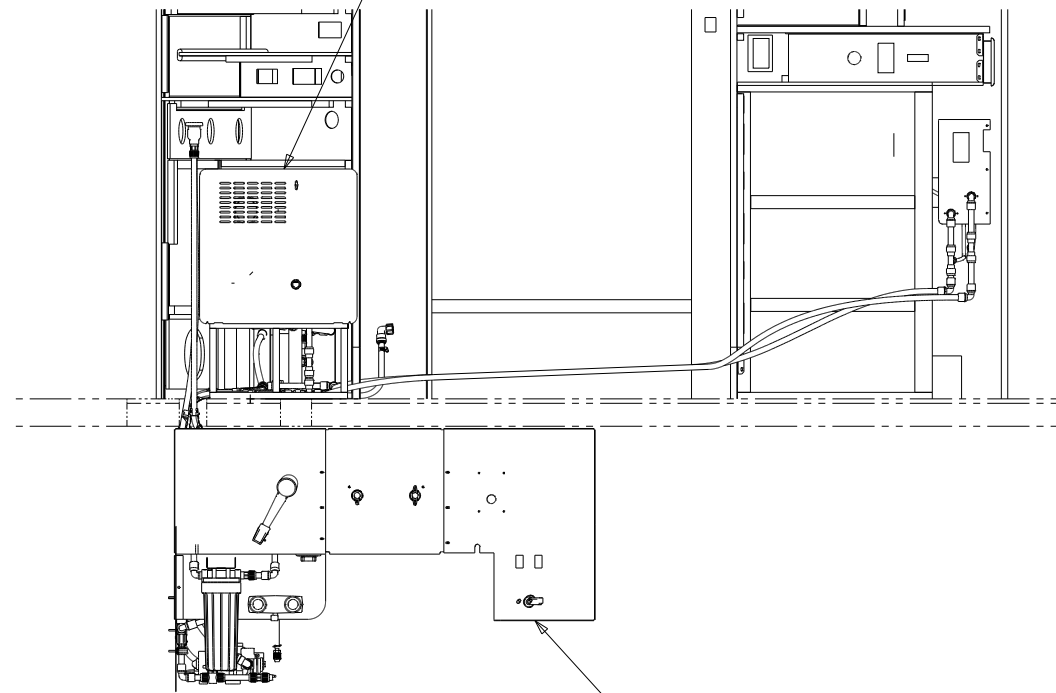
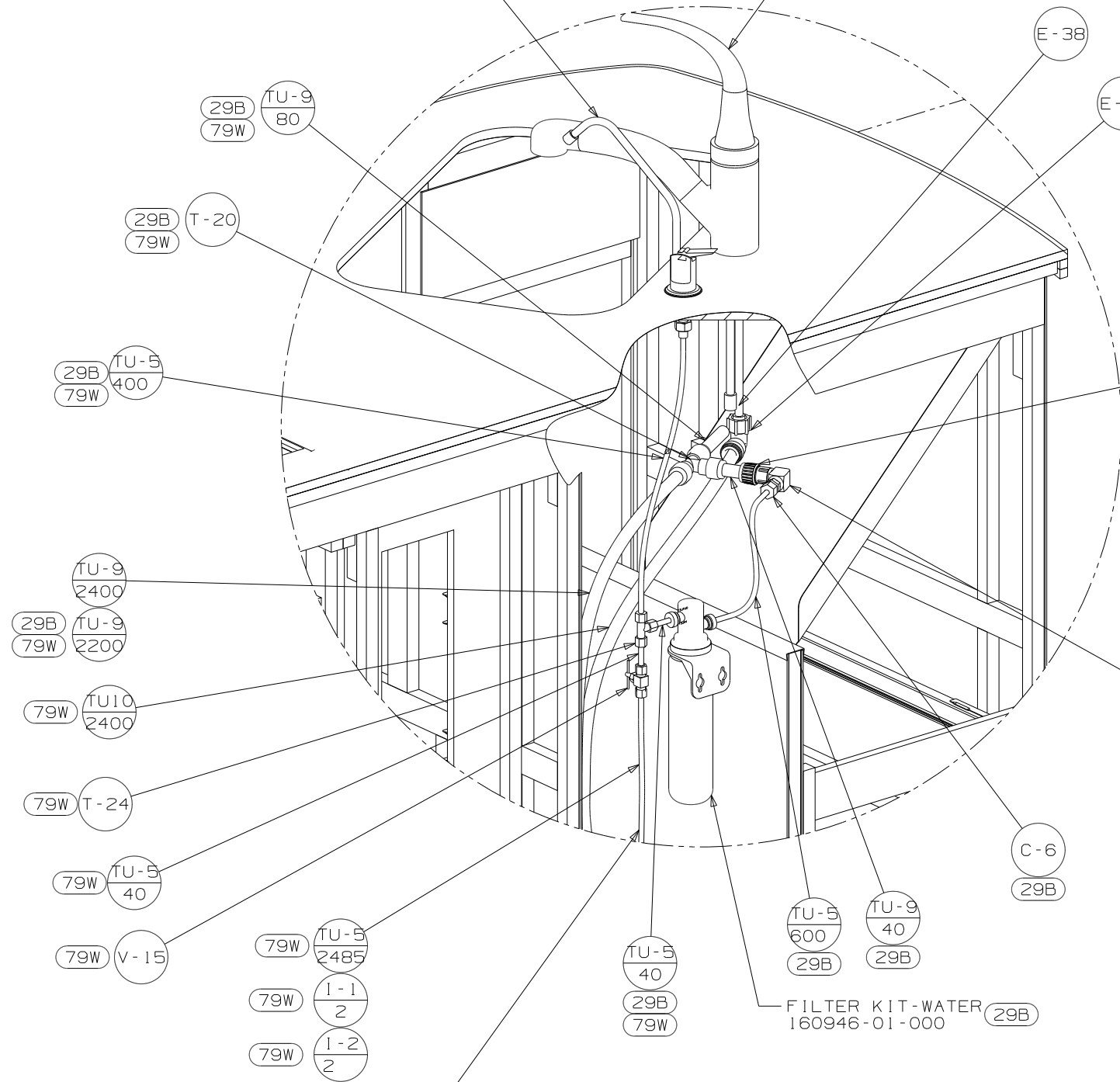
VIEW B

FIRST USED	09 P37G
DO NOT SCALE DRAWING	
TITLE:	WATER SYSTEM INSTL
SHEET 2	PART NO 167897 REV

(29B) FAUCET-WATER PURIFIER
103635-01-000

FAUCET - GALLEY
123744-03-CHT
BACK ING
163339-01-000

WATER HEATER
145541-01-000
DOOR
125420-05-CHT
AL EXTR
100885-51-034 (4)
SCREW
639-10-10U (16)
CABLE ASM
76767-03-000
SCREW
113563-10-CHT
SEALANT
69640-03-000



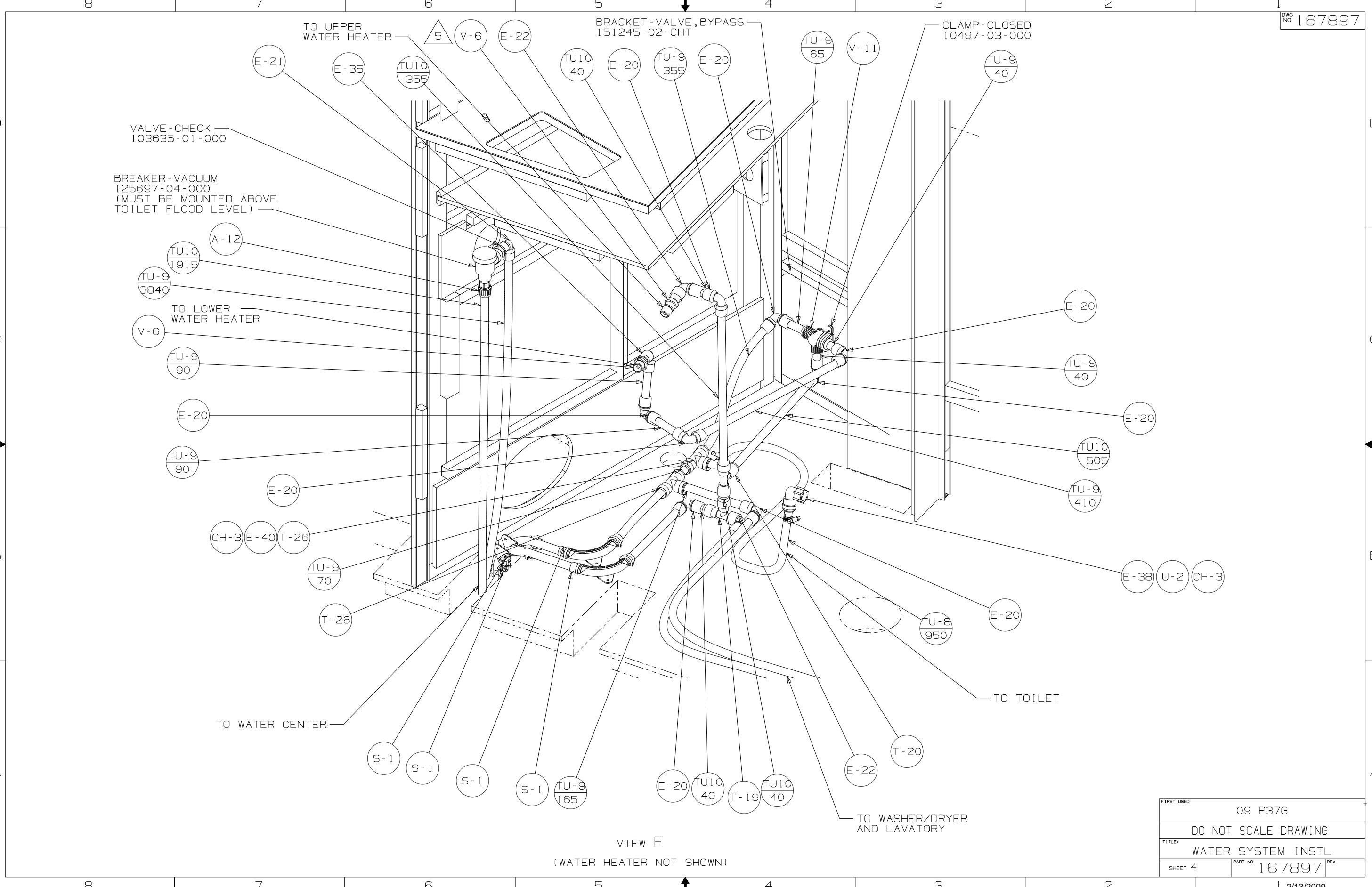
DETAIL C

VIEW D

WATER CENTER INSTL
157511-12-XXX

TO ICEMAKER

FIRST USED	09 P37G		
TITLE	DO NOT SCALE DRAWING		
TITLE	WATER SYSTEM INSTL		
SHEET 3	PART NO	167897	REV



VALVE-CHECK
103635-01-000

BREAKER-VACUUM
125697-04-000
(MUST BE MOUNTED ABOVE
TOILET FLOOD LEVEL)

BRACKET-VALVE, BYPASS
151245-02-CHT

CLAMP-CLOSED
10497-03-000

TO LOWER
WATER HEATER

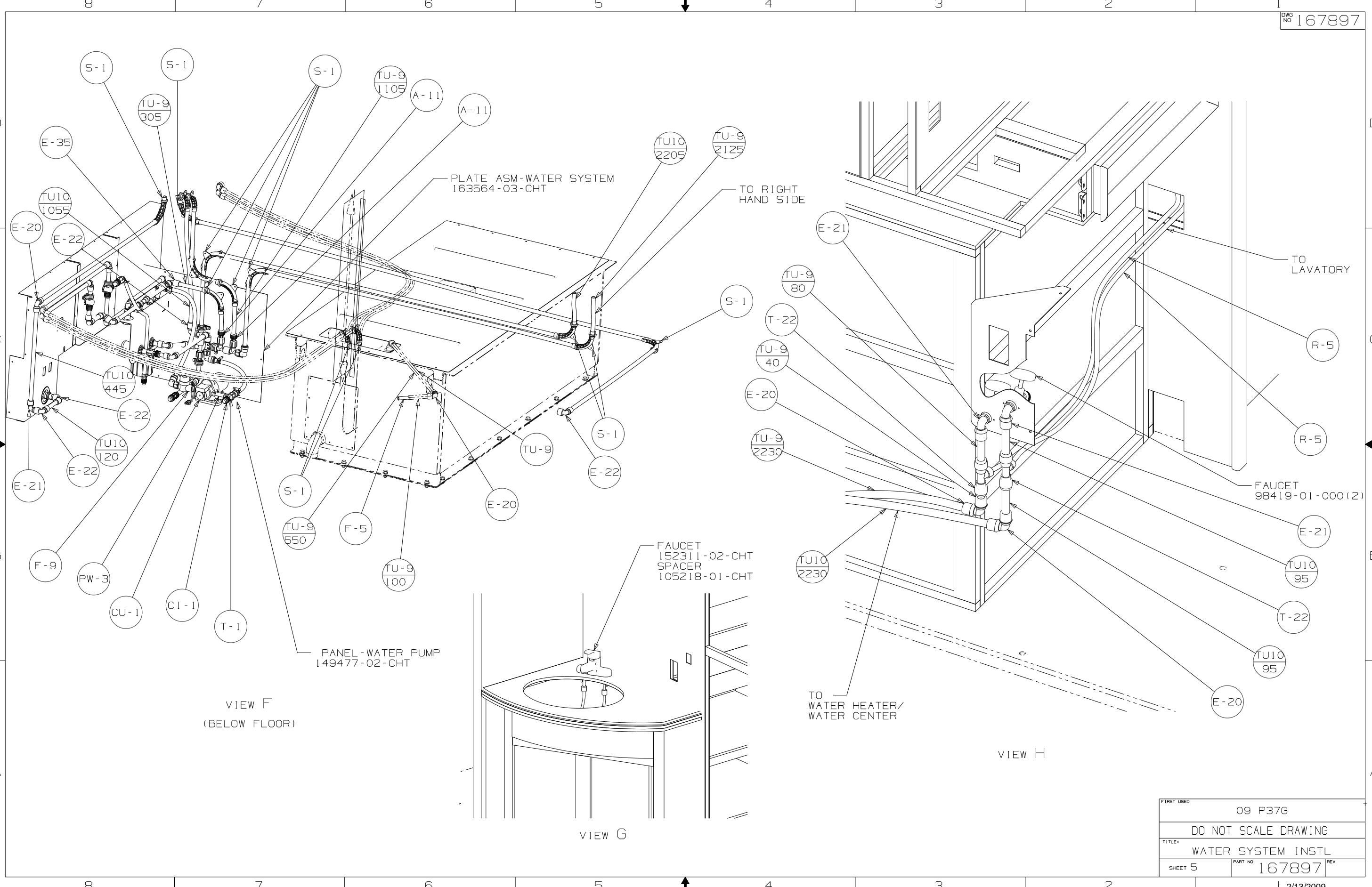
TO WATER CENTER

TO TOILET

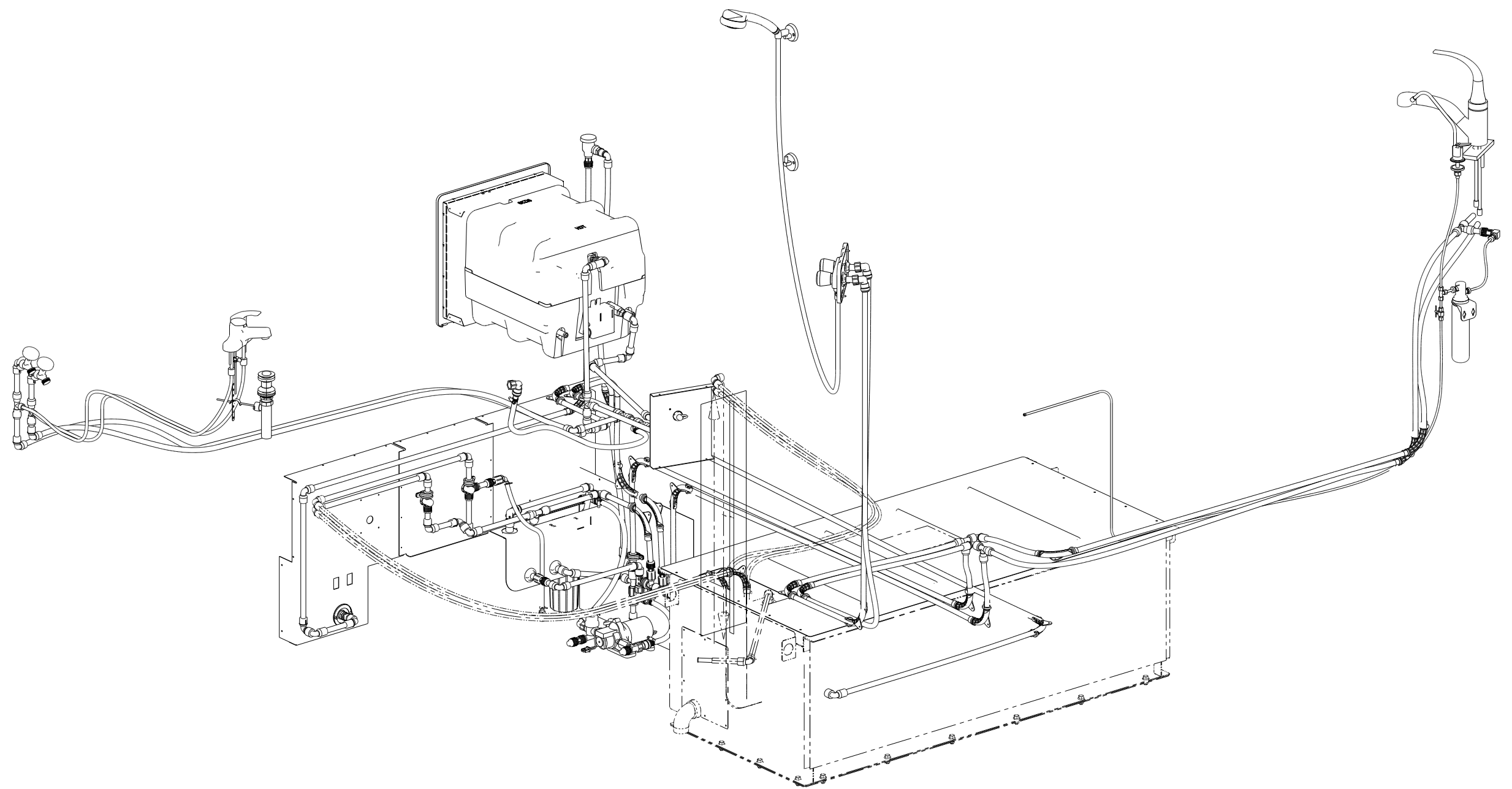
TO WASHER/DRYER
AND LAVATORY

VIEW E
(WATER HEATER NOT SHOWN)

FIRST USED	09 P37G
TITLE:	DO NOT SCALE DRAWING
	WATER SYSTEM INSTL
SHEET 4	PART NO 167897 REV



FIRST USED	09 P37G		
TITLE	DO NOT SCALE DRAWING		
	WATER SYSTEM INSTL		
SHEET 5	PART NO	167897	REV



FIRST USED	09 P37G
DO NOT SCALE DRAWING	
TITLE:	WATER SYSTEM INSTL
SHEET 6	PART NO 167897 REV